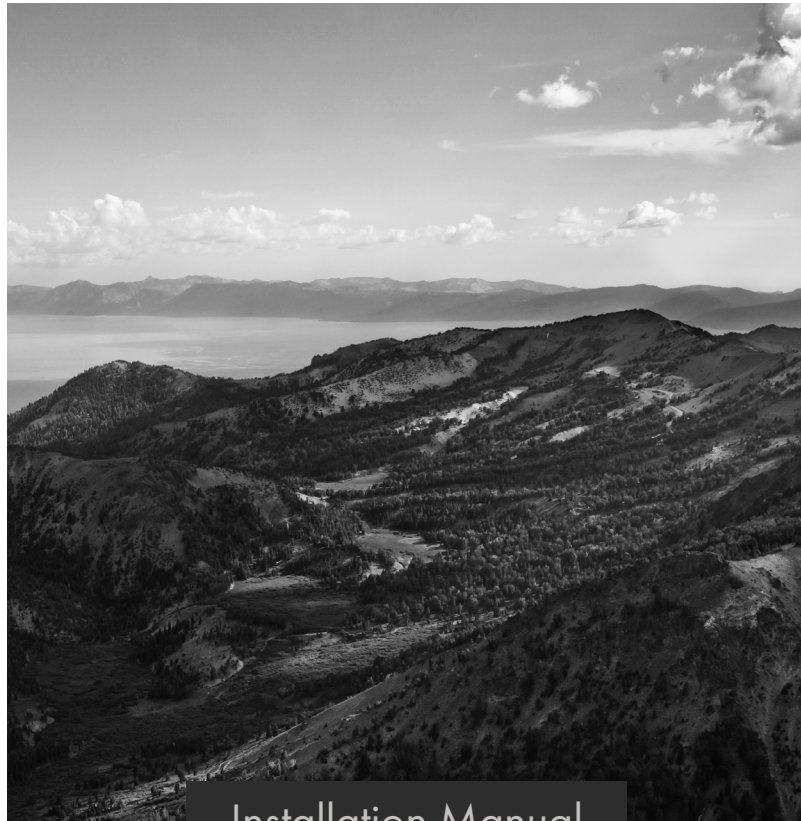


ZLINE

ATTAINABLE LUXURY[®]



Installation Manual

GAS RANGES **CGR, MGR, PCGR, PMGR,** **PSGR, & SGR MODELS**

zlinekitchen.com



ZLINE Kitchen and Bath provides Attainable Luxury, where the kitchen and bath of your dreams is never out of reach. Through our unique designs and unparalleled quality, we're dedicated to providing you an elevated experience in the heart of your home. With an endless selection of features and finishes, our inspiration is your reality.

ZLINE
ATTAINABLE LUXURY®



ZLINE is fueled by a passion for innovation—a relentless pursuit of bringing the highest end luxury designs and professional features into everyone’s homes.

Because we continually strive to improve our products, we may change specifications and designs without prior notice.

Scan the QR code to view the most up-to-date version of the Installation Manual and User Manual.

⚠ WARNING: This product can expose you to chemicals including nickel, which is known to the State of California to cause cancer. For more information, go to www.P65Warnings.ca.gov.

TABLE OF CONTENTS

| | |
|--|-----------|
| IMPORTANT SAFETY INSTRUCTIONS | 1 |
| Gas Safety | 1 |
| Electric and Gas Safety | 7 |
| Tipping Safety | 9 |
| Ventilation Safety | 10 |
| | |
| BEFORE INSTALLATION | 13 |
| Product Specifications | 14 |
| | |
| INSTALLATION | 18 |
| Dimensions and Clearances | 18 |
| Gas Safety | 21 |
| Electrical Safety | 26 |
| Installing the Anti-Tip Device | 28 |
| Liquid Propane Gas Conversion Procedure (Optional) | 29 |
| Installing Parts | 46 |
| Manual Flame Adjustment | 55 |
| | |
| WARRANTY | 58 |

IMPORTANT SAFETY INSTRUCTIONS

GAS SAFETY



WARNING: If the information in these instructions is not followed exactly, a fire or explosion may result causing property damage, personal injury or death.

- Do not store or use gasoline or other flammable vapors and liquids in the vicinity of this or any other appliance.
- **WHAT TO DO IF YOU SMELL GAS**
 - Do not try to light any appliance.
 - Do not touch any electrical switch.
 - Do not use any phone in your building.
 - Immediately call your gas supplier from a neighbor's phone. Follow the gas supplier's instructions.
 - If you cannot reach your gas supplier, call the fire department.
- Installation and service must be performed by a qualified installer, service agency or the gas supplier.

IMPORTANT SAFETY INSTRUCTIONS



AVERTISSEMENT : Le non-respect à la lettre de ces instructions peut causer un incendie ou une explosion, qui pourrait entraîner des dommages matériels, des blessures ou la mort

- Ne pas entreposer ou utiliser d'essence ou tout autre liquide ou gaz inflammable à proximité de cet appareil ou de tout autre appareil.
- **EN PRÉSENCE D'UNE ODEUR DE GAZ :**
 - Ne tenter d'allumer aucun appareil ;
 - Ne toucher à aucun commutateur électrique ;
 - N'utiliser aucun téléphone dans l'immeuble ;
 - Appeler immédiatement le fournisseur de gaz à partir d'un téléphone situé à l'extérieur de l'immeuble ; Suivre les instructions du fournisseur de gaz ;
 - S'il est impossible de joindre le fournisseur de gaz, appeler le service des incendies.
- L'installation et la réparation doivent être effectuées par un installateur ou une agence de réparation ayant les qualifications requises ou par le fournisseur de gaz.

IMPORTANT SAFETY INSTRUCTIONS



WARNING:
WARNING

Never Operate the Top Surface Cooking Section of this Appliance Unattended.

- Failure to follow this warning statement could result in fire, explosion, or burn hazard that could cause property damage, personal injury, or death.
- If a fire should occur, keep away from the appliance and immediately call your fire department. **DO NOT ATTEMPT TO EXTINGUISH AN OIL/GREASE FIRE WITH WATER.**



ATTENTION :
ATTENTION

Ne faites jamais fonctionner la surface de cuisson, sur le dessus de cet appareil, sans surveillance.

- Le non-respect de cette mise en garde pourrait entraîner un incendie, une explosion ou un risque de brûlure et ainsi causer des dommages matériels, des blessures ou la mort.
- Si l'appareil prend feu, tenez-vous à l'écart et appelez immédiatement votre service des incendies. **NE TENTEZ JAMAIS D'ÉTEINDRE UN FEU DE GRAISSE OU D'HUILE EN L'ASPERGEANT D'EAU.**

IMPORTANT SAFETY INSTRUCTIONS



WARNING: Never use this appliance as a space heater to heat or warm the room. Doing so may result in carbon monoxide poisoning and overheating. Never use the top of the range or the interior of the oven as storage areas, as items could melt or ignite, increasing the risk of fire, damage, and/or serious injury.



AVERTISSEMENT: Ne JAMAIS utiliser cet appareil électroménager en guise de chauffeferette. Le fait de chauffer une pièce ainsi peut entraîner un empoisonnement au monoxyde de carbone ou une surchauffe du four.



WARNING: NEVER cover any slots, holes or passages in the oven bottom or cover an entire rack with materials such as aluminum foil. Doing so blocks airflow through the oven and may cause carbon monoxide poisoning. Aluminum foil linings may also trap heat, causing a fire hazard.



AVERTISSEMENT: Ne JAMAIS recouvrir une fente, un trou ou une conduite dans le fond du four ni recouvrir entièrement une grille d'un matériau comme du papier d'aluminium. Un tel revêtement bloque la circulation d'air dans le four, ce qui peut entraîner un empoisonnement au monoxyde de carbone. De plus, le papier d'aluminium peut emprisonner la chaleur, ce qui risque de provoquer un incendie.

IMPORTANT SAFETY INSTRUCTIONS

- Before beginning installation, please read and follow these important instructions for the safety of your home and the people living in it.
- The manufacturer will not be responsible for any damage to property or to persons caused by incorrect installation, improper use of the appliance, or failure to heed the warnings listed.
- This appliance has been designed for non-commercial, domestic use only.
- The plug should always be accessible.
- The installer should leave these instructions with the consumer who should retain for local inspectors' use and for future reference. Installers and consumers should refer to the User Manual for additional safety measures, operation tips, and troubleshooting.
- This manual does not cover all possible conditions that may occur during installation and/or operation. Always contact a qualified service technician or the manufacturer about problems you may not understand.



WARNING Installation and service on this product must only be conducted by a qualified installer, service agency, or gas supplier.

IMPORTANT SAFETY ALERTS



DANGER

DANGER: When you see this symbol in the instructions, it indicates a hazardous situation which, if not avoided, could result in death or serious injury.



WARNING

WARNING: When you see this symbol in the instructions, it indicates a hazardous situation which, if not avoided, could result in minor or moderate injury.

IMPORTANT SAFETY INSTRUCTIONS

- The installation of appliance designed for manufactured (mobile) home installation must conform with the Manufactured Home Construction and Safety Standard, Title 24CFR, Part 3280 [formerly the Federal Standard for Mobile Home Construction and Safety, Title 24, HUD (Part280)] or with local codes where applicable.
- Installation of any gas-fired equipment should be made by a licensed plumber or gas fitter. A manual gas shut-off valve must be installed in the gas supply line for safety and ease of service.
- Please ensure that the altitude of your home is conducive for the use of gas cooking products. If the product is installed at higher altitudes above sea level, you may experience issues with gas pressure that will affect product performance. Please consult your local gas company for recommendations before purchasing or installing.



USE CARE WHEN UNPACKING THE PRODUCT

DANGER

- Remove all tape and packaging before using the appliance, including plastic zip ties securing the oven racks.
- Carefully dispose of the product's shipping box, plastic bags, and all other packing materials after the appliance is unpacked.
- Boxes covered with rugs, bedspreads, sheets, or other materials can become air-tight chambers. Never allow children to play with packaging material.
- Do not remove the model/serial plate attached to the appliance; doing so will not only void the product warranty, it will limit the ability for future service to be conducted on the range in an effective manner.

IMPORTANT SAFETY INSTRUCTIONS



WARNING

ELECTRIC AND GAS SAFETY

- Be sure your appliance is properly installed and grounded by a qualified technician in accordance with all governing codes and ordinances and with the National Fuel Gas Code ANSI Z223.1—latest edition and the National Electrical Code ANSI/NFPA No. 70—latest edition in United States, or CAN/CGA B149.1, B149.2, and the Canadian Electrical Code, Part 1, in Canada. Check your local building codes, as they may vary from the general rules outlined in this manual.
- Gas leaks cannot always be detected by smell. As such, gas suppliers recommend that you use a gas detector approved by UL or CSA. For more information, contact your gas supplier.
- If a gas leak is detected, refer to “WHAT TO DO IF YOU SMELL GAS” on page 1.
- Know how to shut off gas supply at the meter and disconnect the electrical power to the appliance at the circuit breaker or fuse box in case of an emergency. Installers should also show appliance owners the location of the appliance gas shut-off valve and how to shut it off if necessary.
- Do not repair or replace any part of the appliance unless specifically recommended in this manual. All other servicing should be done only by a qualified technician. This may reduce the risk of personal injury and damage to the appliance.



DANGER

Always disconnect gas and power when servicing this product, especially for larger-scale repairs impacting important appliance functionality; failure to do so increases the risk of fire, explosion, injury, or death.

IMPORTANT SAFETY INSTRUCTIONS

INSTALLATION SAFETY

- Never modify or alter the construction of the appliance by removing panels, wire covers, or any other part of the product.
- If the appliance is located near a window, NEVER hang long curtains or paper blinds on that window. They could blow over the surface burners and ignite, potentially causing a fire hazard.

IN THE STATE OF MASSACHUSETTS, THE FOLLOWING INSTALLATION INSTRUCTIONS APPLY

- Installations and repairs must be performed by a qualified or licensed contractor, plumber, or gas fitter licensed by the State of Massachusetts.
- If using a ball valve, it must be a T-handle type.
- A flexible gas connector, when used, must not exceed 3' (914 mm).



WARNING

STATE OF CALIFORNIA PROPOSITION 65 WARNINGS

- The California Safe Drinking Water and Toxic Enforcement Act requires the Governor of California to publish a list of substances known to the state to cause birth defects or other reproductive harm and requires businesses to warn customers of potential exposure to such substances.
- Gas appliances can cause minor exposure to at least four main substances — benzene, carbon monoxide, formaldehyde, and soot — caused primarily by the incomplete combustion of natural gas or liquid propane fuels.
- Properly adjusted burners, indicated by a bluish rather than yellow flame, will minimize incomplete combustion. Exposure to these substances can also be minimized by venting with an open window or by using a ventilation fan or range hood.

IMPORTANT SAFETY INSTRUCTIONS



TIPPING SAFETY



- TIPPING RANGES CAN CAUSE SERIOUS PERSONAL INJURY OR DEATH.
- TO REDUCE THE RISK OF TIPPING OF THE RANGE, THE RANGE MUST BE SECURED WITH A PROPERLY INSTALLED ANTI-TIP DEVICE.
- FAILURE TO PROPERLY INSTALL THE ANTI-TIP DEVICE INTO THE WALL COULD RESULT IN THE DEATH OF A CHILD OR ADULT.

| ENGLISH | FRANÇAIS |
|---|---|
| Install the anti-tip device to the structure and/or the range. Verify the anti-tip device has been properly installed and engaged by sliding the range back toward the wall where both brackets have been secured, as outlined in the directions on "Installing the Anti-Tip Device" on page 28 of the installation instructions. | Installez le dispositif antibasculement sur la structure et/ou la cuisinière. Vérifiez que le dispositif antibasculement est correctement installé et enclenché en faisant glisser la cuisinière vers le mur, là où les deux supports ont été fixés, comme indiqué dans la section « Installation du dispositif antibasculement » à la page 28 des instructions d'installation. |
| Engage the range to the anti-tip device by safely tilting the front of the range upward slightly and moving it back to its final resting place, making sure the mounting pins slide under both brackets. | Engagez la cuisinière dans le dispositif antibasculement en inclinant légèrement l'avant de la cuisinière vers le haut et en la ramenant à son emplacement de repos final, en vous assurant que les broches de montage glissent sous les deux supports. |
| Re-engage the anti-tip device if the range is moved. Do not operate the range without the anti-tip device in place and engaged. | Engager de nouveau le dispositif antibasculement si la cuisinière est déplacée. Ne pas utiliser la cuisinière lorsque le dispositif antibasculement n'est pas installé et engagé. |
| See installation instructions for details. | Voir les directives d'installation pour obtenir de plus amples renseignements |
| Failure to do so can result in death or serious burns to children or adults. | Toute omission de le faire expose les enfants et les adultes à un risque de décès ou de brûlures graves. |

IMPORTANT SAFETY INSTRUCTIONS

- Ensure the anti-tip device is re-engaged when the range is moved by following the same steps outlined above and on page 28.
- Carefully pull on the range from the rear. If the brackets are installed correctly, the range will not tip more than 4" (102 mm) from the wall. If it tips forward more than 4" (102 mm), the anti-tip device has not been installed correctly.



DO NOT TIP THE RANGE MORE THAN 4" (102 mm) FROM THE WALL AS IT COULD TIP OVER AND CAUSE INJURY.

- Never completely remove the leveling legs or the range may not be secured to the anti-tip device properly. NEVER step or sit on the door.
- The range will not tip during normal use. However, without a properly fastened anti-tip bracket, the range can tip if too much force or weight is applied to the open door.



VENTILATION SAFETY



An air curtain or other overhead range/range top hood, which operates by blowing downward airflow onto the range, shall not be used/installed in conjunction with this gas range.

- It is the installer's responsibility to comply with installation clearances specified on the model/serial rating plate, in addition to within this User Manual.
- For proper operation of a gas appliance, the air necessary for gas combustion must be able to flow into the room naturally. The air must flow into the room directly through openings in the outside walls. This maintains the temperature of immediate surroundings.
- The appliance should be located for convenient use in the kitchen; recessed installations must provide complete enclosure of the sides and rear of the range.
- To prevent poor air circulation, place the appliance out of kitchen traffic path and out of drafty locations.
- To eliminate risk of burns or fire by reaching overheated surface units, cabinet storage space located above the range should be avoided. If cabinetry is used above the cooking surface, use cabinets no more than 13" (330 mm) deep.

IMPORTANT SAFETY INSTRUCTIONS

- Contact a service technician and/or a qualified floor covering installer to check that wall coverings, countertops, and cabinets located around the appliance can withstand at least 200 °F (93 °C).
- NEVER block the vents (air holes) of the appliance. They provide the air inlet and outlet that are necessary for the appliance to operate properly with correct combustion.
- Ensure the kitchen or room where the appliance is installed is well ventilated by keeping the air intakes open and in good working order and/or by installing a range hood above the unit. It's recommended a hood is installed between 30" and 36" (762 mm and 914 mm) above the cooktop to allow for optimal air flow.
- Always turn on the ventilation range hood when the range is in use.
- Exhaust fan ventilation range hoods and grease filters should be kept clean. Do not allow grease to accumulate on hoods or filters. Greasy deposits in the fan could catch fire.
- If the appliance is used intensively for a long time, the effectiveness of the ventilation will have to be increased, for example by opening a window or increasing the power of the range hood operating above.
- These openings must be constructed so that it will not be obstructed from inside or outside, and not be constructed close to the floor. The opening is recommended to be on the side opposite to that on which the flue gases are discharged.

STORAGE AND FIRE SAFETY

- Items of interest to children should not be placed in cabinets above the appliance or on the steel back splash vent at the back the range. Children climbing on the appliance to reach items could be seriously injured.
- DO NOT leave children alone or unattended when the appliance is hot or in operation, even if the burners and oven have been off for several minutes. The unit's door, knobs, and cooktop may still have residual heat, and children could be seriously burned.
- DO NOT let anyone climb, play, sit, or stand on or around any part of the appliance. They could damage the range or cause it to tip over which could result in serious burns or other severe personal injury.
- NEVER wear loose fitting or hanging garments while using the range. Be careful when reaching for items placed in cabinets over the appliance.

IMPORTANT SAFETY INSTRUCTIONS

- Flammable materials, liquids, and vapors should not be stored on, in, or near the appliance. They can be ignited if it contacts flames or hot oven surfaces and may cause severe burns. This includes cooking grease, gasoline, aerosol cans, paper, plastic, and cloth items, as well as cookbooks, plastic ware, and towels. Plastic items may melt if left too close to the vent. Flammable materials may explode and result in fire or property damage.
- Allow the burner grates and other surfaces to completely cool before touching them.
- Gas leak testing of the appliance must be conducted according to the manufacturer's instructions; always consult a qualified technician.
- Make sure your appliance is properly installed and grounded by a qualified installer, according to instructions explained in the Installation Manual. Any adjustment and service should be performed only by qualified gas range installers or service technicians.

BEFORE INSTALLATION

TOOLS NEEDED (INCLUDED)

Allen wrench / hex key (for handle installation)



TOOLS AND ADDITIONAL PARTS NEEDED (NOT INCLUDED)

- Tape measure
- Phillips head screwdriver
- Flat head screwdriver
- Nut driver
- Level
- Drill
- Wrench
- Pliers
- Pipe wrench
- 15/16" (24 mm) combination wrench
- 1/8" (3 mm) drill bit (for wood)
- Marker or pencil
- Pipe-joint compound resistant to LP gas
- Noncorrosive leak-detection solution
- 7 mm socket wrench or nut driver
- 10 mm socket wrench or nut driver
- Manual gas line shut-off valve
- Male 1/2" or 3/4" flare union adapter
- 1/2" or 3/4" MPT internal thread elbow



Scan to follow along with a video to review how to assemble your range. **NOTE:** The range in the video is of an SGR36 series range; check your range cover to see which elements apply to your range.

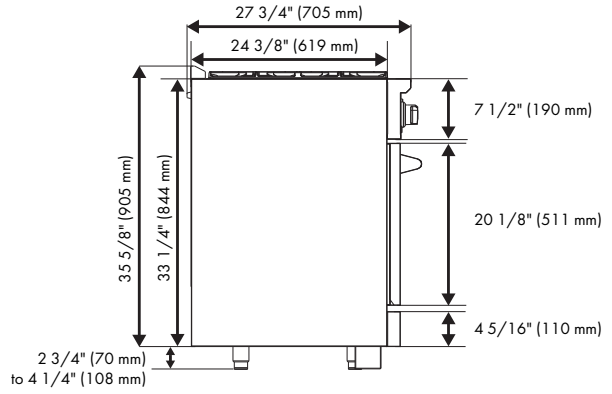
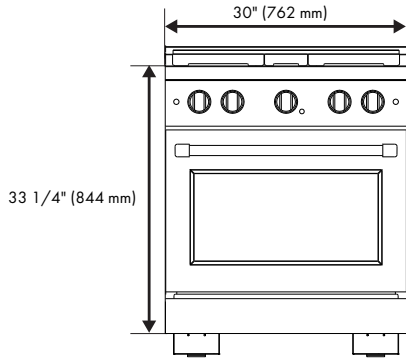
ADDITIONAL PARTS

- Check local codes, consult your gas supplier, and check the existing gas/electrical supply prior to beginning the installation process.
- See the "Electrical Safety" and "Gas Safety" sections of this manual for further information and guidance on the additional parts a qualified installer will need to perform this installation.

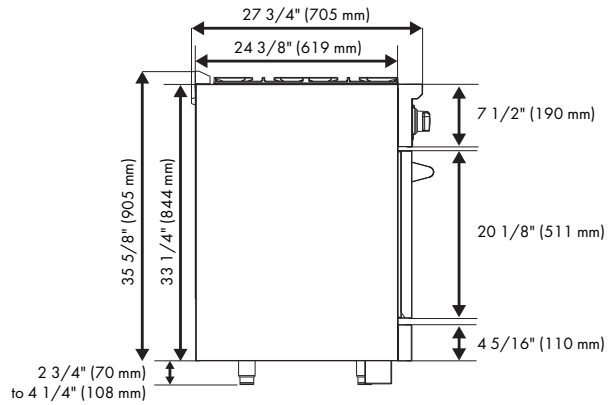
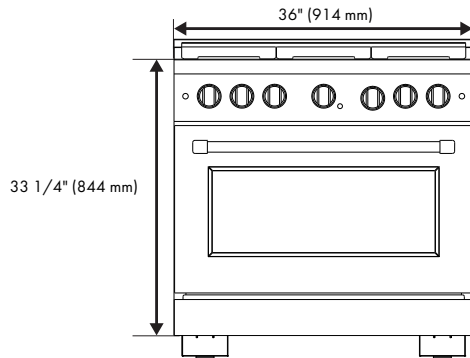
BEFORE INSTALLATION

PRODUCT SPECIFICATIONS

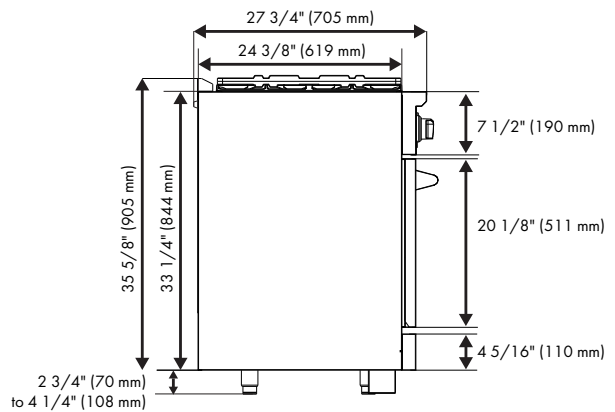
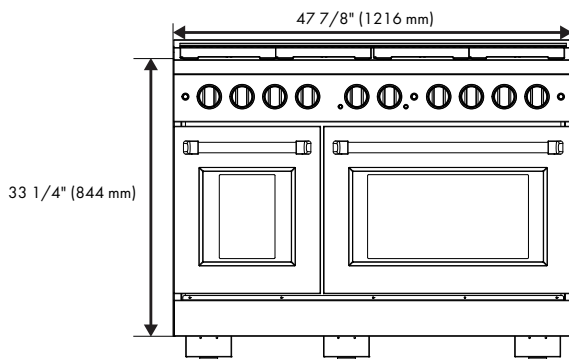
30" (762 mm) models



36" (914 mm) models



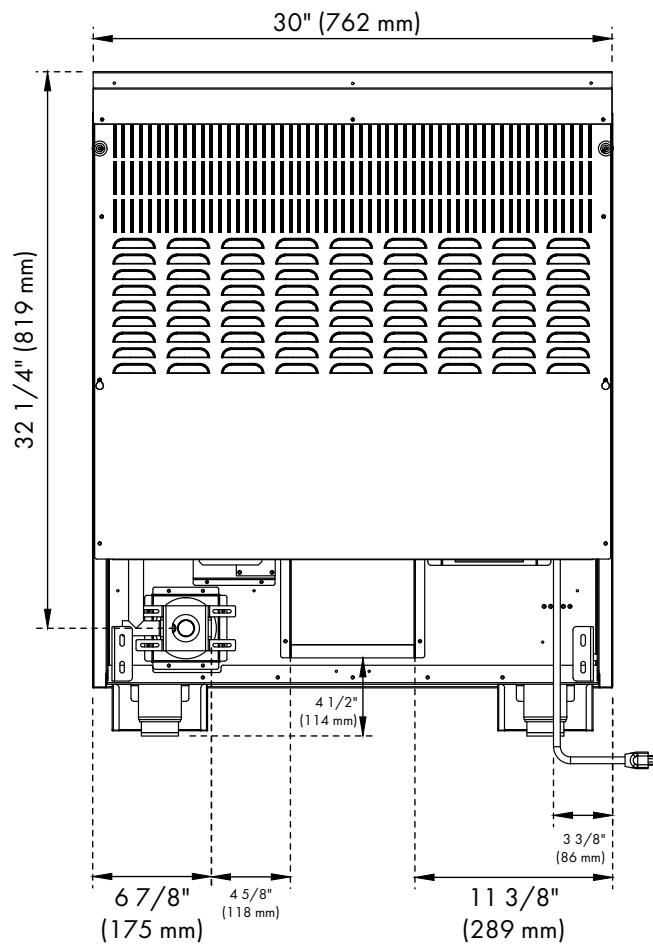
48" (1219 mm) models



BEFORE INSTALLATION

PRODUCT SPECIFICATIONS

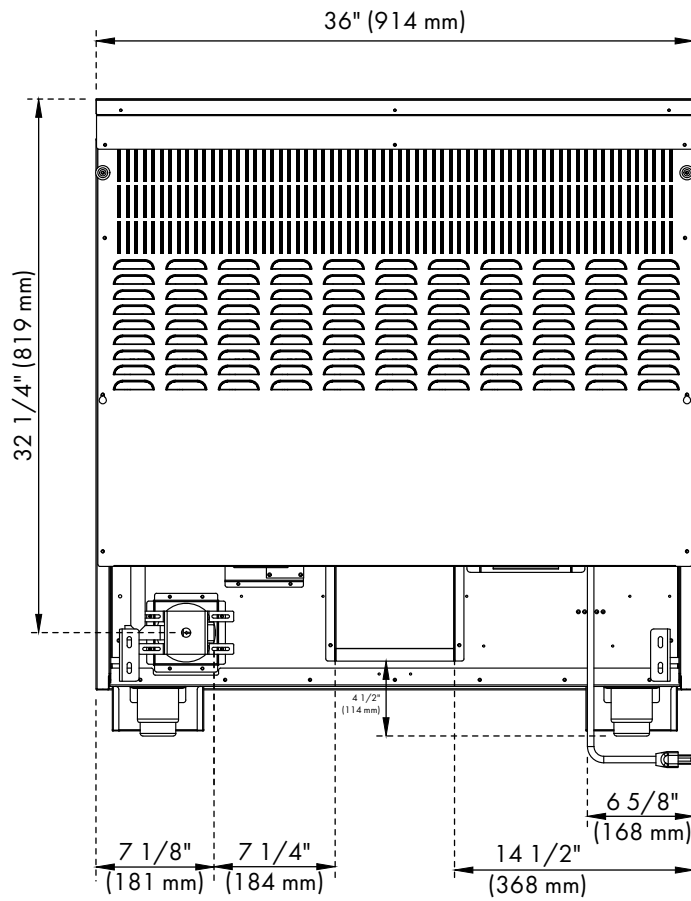
30" (762 mm) models



BEFORE INSTALLATION

PRODUCT SPECIFICATIONS

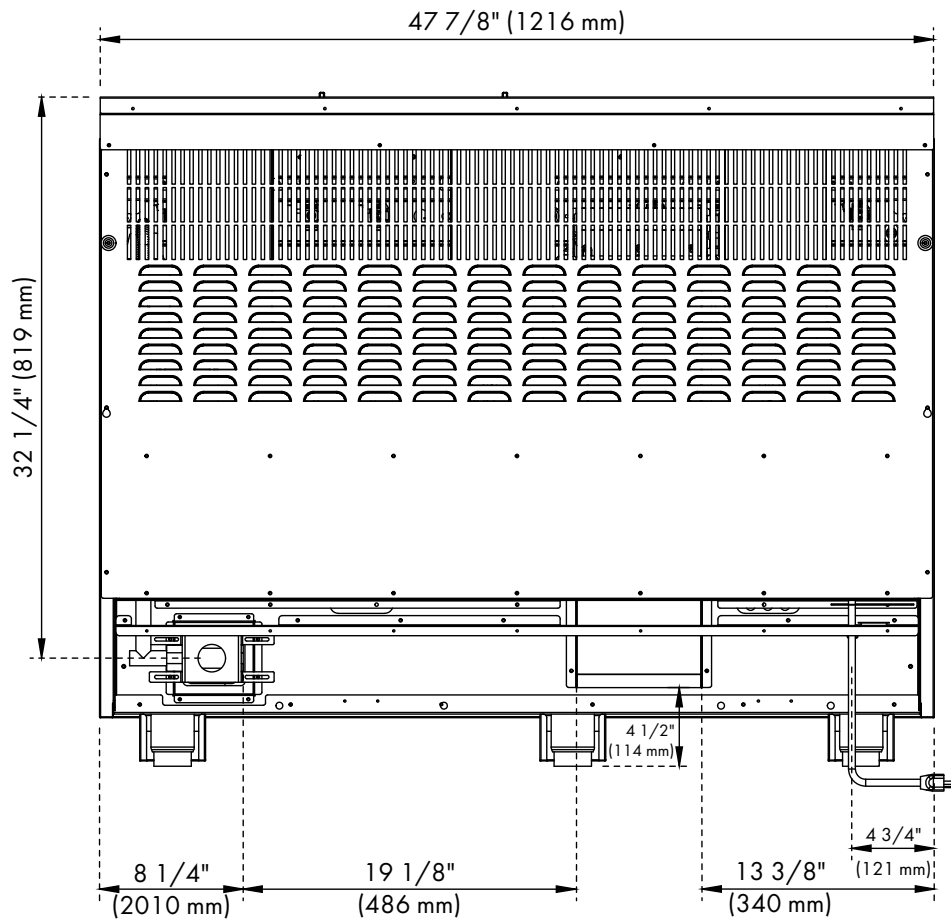
36" (914 mm) models



BEFORE INSTALLATION

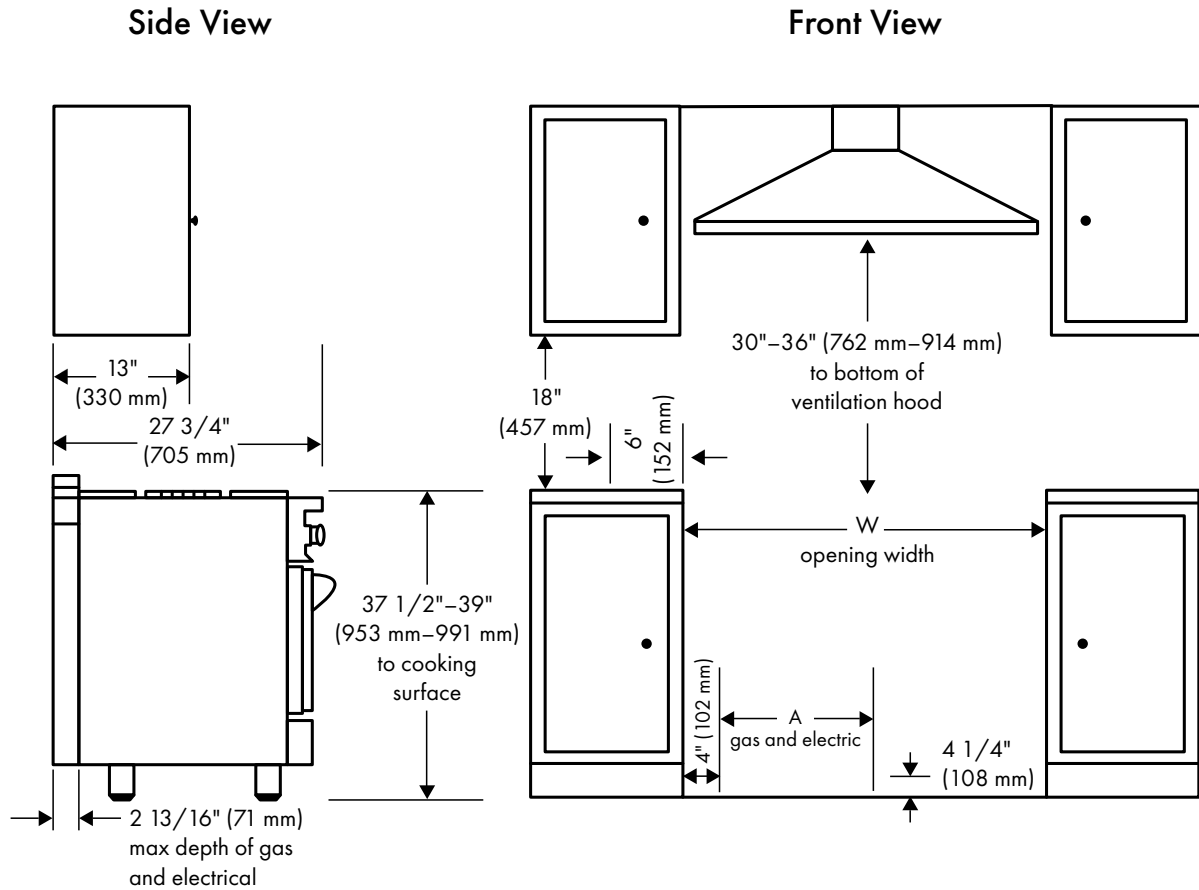
PRODUCT SPECIFICATIONS

48" (1219 mm) models



INSTALLATION

DIMENSIONS AND CLEARANCES



| Range Series | W (opening width) | A (available space - gas) |
|----------------------|-------------------|---------------------------|
| 30" (762 mm) models | 30 1/4" (768 mm) | 15" (381 mm) |
| 36" (914 mm) models | 36 1/4" (921 mm) | 21" (533 mm) |
| 48" (1219 mm) models | 48 1/8" (1222 mm) | 31" (787 mm) |

NOTE: If a ventilation range hood is NOT installed above the range, a minimum clearance of 42" (1067 mm) is required between the cooktop and combustible surfaces above.

INSTALLATION

RECOMMENDED CABINET CUT-OUT DIMENSIONS

| RANGE SERIES | CUT-OUT DIMENSIONS |
|----------------------|---------------------------------|
| 30" (762 mm) models | 30 1/4" W x 24 3/4" D x 36" H |
| | 768 mm W x 629 mm D x 914 mm H |
| 36" (914 mm) models | 36 1/4" W x 24 3/4" D x 36" H |
| | 921 mm W x 629 mm D x 914 mm H |
| 48" (1219 mm) models | 48 1/8" W x 24 3/4" D x 36" H |
| | 1222 mm W x 629 mm D x 914 mm H |

Width:

- Recommended cutouts allow for 1/8" (3 mm) of clearance on each side. Actual kitchen layouts may vary; plan accordingly.

Depth:

- The recommended depth extends beyond the standard cabinet depth of 24" (610 mm) so the oven front projects beyond the countertop. This allows the oven door to open fully and safely.
- An additional 3/4" (19 mm) accounts for the full depth of the range and the rear rubber bumpers, allowing the unit to be positioned flush against the wall.

Height:

- The recommended height is based on a standard cabinet height of 36" (914 mm). This dimension assumes the leveling legs are set to their lowest position.
- The leveling legs are adjustable by approximately 1 1/2" (38 mm) to accommodate variations in floor height and installation preference.



The use of cabinets for storage above the appliance may result in a potential fire hazard. Combustible items may ignite; metallic items may become hot and cause burns. If cabinet storage is necessary, the risk can be reduced by installing a range hood that projects horizontally a minimum of 5" (127 mm) beyond the bottom of the cabinets.

INSTALLATION

RANGE PLACEMENT

- The dimensions shown on page 18 must be followed. All dimensions provided represent minimum clearances from combustible surfaces. For additional cabinet cutout details, refer to the previous page.
- Adjacent work areas must provide a minimum clearance of 18" (457 mm) between the countertop and the bottom of any overhead cabinet (see the diagram on page 18).
- All openings in the wall or floor where the appliance is installed must be sealed.
- The floor-mounted anti-tip device must be installed. Refer to "Installing the Anti-Tip Device" on page 28 for instructions.
- A properly grounded electrical supply is required. Refer to "Electrical Safety" on page 26 for requirements and additional precautions.
- A proper gas supply connection must be available. Refer to "Gas Safety" on the following page.
- The electrical power cord length for all range sizes is 3' – 36" (914 mm).
- This range must be installed beneath a ducted ventilation hood.



WARNING

The range may not sit flush to the back wall if the gas or electrical connections are installed outside of these dimensions.



WARNING

It is the responsibility of the installer to ensure the appliance is properly adjusted at the time of installation. Situations caused by improper adjustments or improper installation are not covered under warranty.

INSTALLATION

GAS SAFETY



Explosion hazard conditions will exist unless you perform ALL of the following; failure to do so can result in death, explosion, or fire.

- Use a new CSA International approved gas supply line.
- Install a manual gas shut-off valve.
- Securely tighten all gas connections.
- Examples of a qualified person include:
 - Licensed heating personnel
 - Authorized gas company personnel
 - Authorized service personnel
- All gas connections must comply with national and local codes and ordinances:
 - **IMPORTANT:** This installation must conform with all local codes and ordinances. In the absence of local codes, installation must conform with American National Standard, National Fuel Gas Code ANSI Z223.1/NFPA 54—latest edition, or CAN/CGA B149—latest edition.
 - In Canada, installation must conform to the current natural gas installation code, CAN 1-1.1-M81, and with local codes where applicable. This appliance has been design-certified according to ANSI Z21.1b-201 latest edition. A statement of the maximum gas supply pressure in accordance with the inlet pressure rating of the gas appliance pressure regulator is supplied.
- The appliance should be connected to the supply line with a 1/2" or 3/4" (depending on model) metal gas line or a certified flexible type stove connector. To prevent gas leaks, put an approved sealing compound that is resistant to liquefied petroleum gases on all threaded connections.

INSTALLATION

| GAS REQUIREMENTS - ALL MODELS | |
|-------------------------------|----------------------------------|
| NATURAL GAS | WC |
| Supply Pressure | 5" (12.5 mb) |
| Minimum Line Pressure | 7" (17.5 mb) |
| Maximum Regulator Pressure | 14" (34.9 mb), 0.5 psi (3.5 kPa) |
| | |
| LIQUID PROPANE GAS | WC |
| Supply Pressure | 10" (25 mb) |
| Minimum Line Pressure | 11" (27.4 mb) |
| Maximum Regulator Pressure | 14" (34.9 mb), 0.5 psi (3.5 kPa) |

GAS CONNECTIONS

- **IMPORTANT:** Do not apply force directly to the appliance manifold pipe when tightening gas supply connections. The manifold pipe must be held securely at the pressure regulator to prevent twisting. Always hold the pressure regulator with a wrench during tightening. Failure to do so may cause the manifold pipe to twist or crack, resulting in a hazardous gas leak.
- **NOTE:** Check all gas piping connections for leaks using a soap solution (75% water / 25% dish soap). Connections made at the factory may loosen during shipping due to vibration. Inspect all connections carefully and repair any leaks before operating the appliance.
- The appliance must be isolated from the gas supply piping system by closing its individual manual shutoff valve during any pressure testing of the gas supply piping system at test pressures equal to or less than 1/2 psig (3.5 kPa).
- Ranges are factory-configured for natural gas (NG). The appliance may be converted for use with liquid propane gas (LPG). When operating on LPG, the conversion must be performed by a qualified installer before use.
- Refer to the model/serial rating plate for approved gas types.
- When connecting a flexible gas connector to the range regulator, position the range to allow access to the manual shutoff valve.

INSTALLATION

GAS LINE SHUT-OFF VALVE

- To reduce the possibility of gas leaks, apply a thread compound approved for use with liquid propane or natural gases to all threaded connections.
- Install an agency-approved, properly-sized manual gas line shut-off valve in the gas line in an easily accessed location outside the range in the gas piping external to the appliance for the purpose of turning on or shutting off gas to the appliance.
- This valve is not shipped with the appliance and must be provided by the installer.
- For CGR30/MGR30/SGR30 and CGR36/MGR36/SGR36 series ranges, install a male 1/2" flare union adapter to 1/2" FPT internal thread at the regulator's inlet.
- For PCGR30/PMGR30/PSGR30, PCGR36/PMGR36/PSGR36, and CGR48/MGR48/PCGR48/PMGR48/PSGR48/SGR48 series ranges, install a male 3/4" flare union adapter to the 3/4" FPT internal thread at the regulator's inlet.
- Use a wrench on the regulator fitting to avoid damage.
- Install a male 1/2" or 3/4" flare union adapter to the MPT internal thread of the manual shut-off valve, taking care to secure the shut-off valve to keep it from turning.



The gas supply line must be equipped with an approved manual shut-off valve. The shut-off valve must be in an easily accessible location in the same room as the appliance. Do not block access to the shut-off valve. Be sure you know how and where to shut off the gas supply to the range.

IMPORTANT:

- The pressure regulator located at the inlet of the appliance manifold must remain in the supply line regardless if natural gas or liquid propane gas is being used.
- The gas regulator has a clear plastic shield covering the inlet to protect against debris. Be certain this has been removed prior to connecting the supply line or coupler.
- A flexible metal appliance connector to connect the range to the gas supply should be a maximum of 3' – 36" (914 mm) in length for easy installation.
- In Canada, flexible connectors should be single-wall metal connectors less than 6' (1829 mm) in length.

INSTALLATION



EXPLOSION HAZARDS

WARNING

- Only use a CSA-approved gas supply line.
- You must install an approved manual shut-off valve.
- Securely tighten all connections if necessary to prevent gas leakage in the appliance or supply line.
- If connected to LPG, have a qualified person make sure gas pressure does not exceed 3.5 kPa/14" W.C.P.
- Failure to follow these warnings can result in death, explosion, or fire.

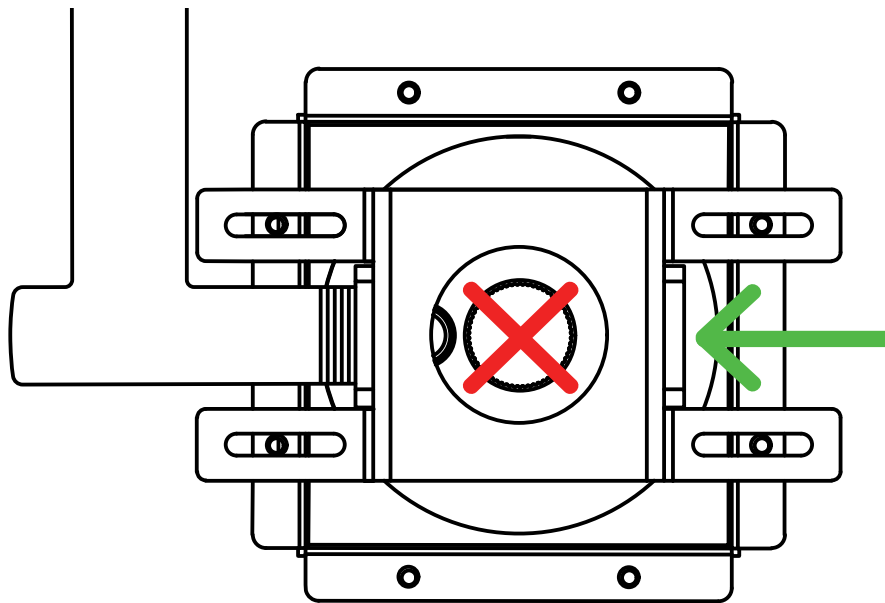
GAS INSTALLATION STEPS

1. Shut off the main gas supply valve before removing the old cooking appliance (if applicable) and leave it off until the new hook-up has been completed. Don't forget to relight the pilots on other gas appliances when you turn the gas back on.
2. Because hard piping restricts movement of the appliance, the use of a CSA-certified flexible metal appliance connector is recommended unless local codes require a hard-piped connection. Never reuse an old connector when installing a new appliance. If the hard piping method is used, you must carefully align the pipe. To prevent gas leaks, use pipe joint compound resistant to gas on all male external pipe threads.
3. Use a flexible gas line to connect to the 1/2" or 3/4" (depending on model) regulator fitting, located on the bottom left corner underneath the appliance (when facing the rear of the range).
4. When all connections have been made, be sure all appliance controls are in the off position and turn on the main gas supply valve. Check for gas leaks by using a 75% water, 25% dish washing soap solution. If a gas leak occurs, shut off gas immediately, tighten all connections, and retest for leaks.

INSTALLATION



Only connect the gas line through the 1/2" or 3/4" (depending on model) fitting on the side of the pressure regulator, as outlined in the diagram on the following page. DO NOT attempt to connect gas by removing the regulator access cap — the regulator access cap is only used for liquid propane conversions and must stay on at all times.



Refer to this diagram for proper gas hookup on the right side of the regulator.

IMPORTANT: Regulator access cap is for LP conversion and pressure adjustment only. Gas hookup does not go here. Hand tighten regulator access cap only.

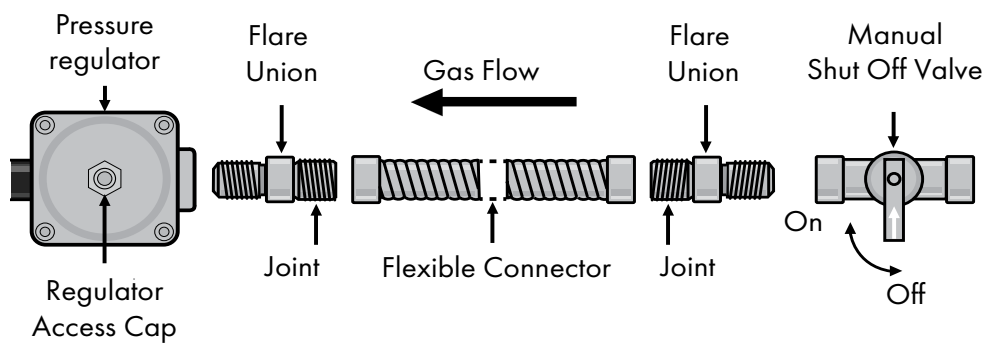
INSTALLATION



SAFETY AND EXPLOSION HAZARDS

DANGER

- Check alignment of control knob valves. A misalignment could result in a gas leak at the valve.
- The below figure demonstrates the proper gas hook-up flow for all ranges. The pressure regulator is located at the bottom right corner when facing the unit (bottom left corner when facing it from behind).
- **NOTE:** The pressure regulator and access cap come pre-installed on the unit; the other parts in the figure below are not supplied and are the responsibility of the customer to obtain for a qualified installer to install to ensure a safe and effective gas hook-up.



ELECTRICAL SAFETY



ELECTRIC SHOCK HAZARD

DANGER

- Failure to follow these instructions can result in death, fire, or electrical shock.
- Any additions, changes, or conversions required to properly operate this appliance must be made by a qualified service technician in accordance with the manufacturer's instructions and all codes and requirements of the local governing authority.
- Failure to follow the instructions could result in serious injury or property damage. The qualified agency performing this work assumes responsibility for the conversion.
- **DO NOT** operate this appliance using a 2-prong adapter. **DO NOT** use an extension cord. If a 2-prong wall receptacle is the only available outlet, it is the responsibility of the consumer to have it replaced with a properly grounded 3-prong wall receptacle installed by a qualified electrician.

INSTALLATION

- Severe shock or damage to the range may occur if the appliance is not installed by a qualified installer or electrician.
- The power supply must be the correct polarity. Reverse polarity will result in continuous sparking of the electrodes, even after flame ignition. If unsure whether the power supply has the correct polarity or is properly grounded, have it checked by a qualified electrician.

| ELECTRICAL REQUIREMENTS - ALL MODELS | |
|--------------------------------------|--------------------------|
| Electrical Supply | 120 VAC, 60 Hz |
| Circuit | 15-amp dedicated circuit |
| Total Amps | 9 |



Ranges are equipped with a 3-prong NEMA 5-15P plug for your protection against shock hazard and should be plugged directly into a properly grounded receptacle. Do not cut or remove the prong from this plug.



The electrical socket must be easily accessible with the appliance installed. In all cases, the power supply lead must be positioned so that it does not reach a temperature of 122 °F (50 °C) above the room temperature at any point.

- After your gas connection and anti-tip brackets are properly installed, plug the range's NEMA 5-15P electrical cord into a properly grounded 3-prong outlet.

INSTALLATION

INSTALLING THE ANTI-TIP DEVICE

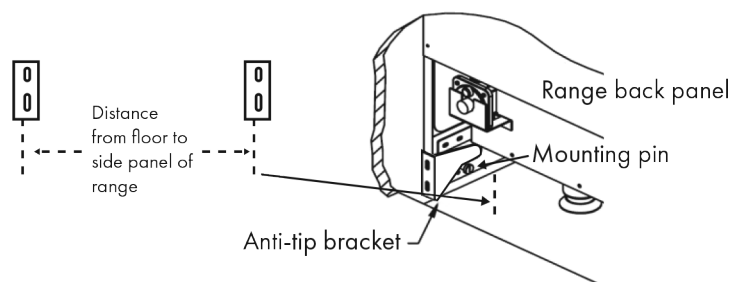


A child or adult can tip the range and be seriously injured or killed. Do not operate the range without the anti-tip device in place. Failure to follow these instructions can result in death or serious burns to children and adults.



Scan to follow along with a video.

1. After determining the final installation location within your cabinet, raise or lower the feet of the range to desired height and slide the range forward to access the back wall.
2. Secure each anti-tip bracket to the back wall by drilling 2 holes for each and fasten with the 4 provided screws, making sure the mounting side of the bracket faces toward the cabinet, as outlined in the right image below. For concrete or tile, tap 4 anchors into the drilled holes with a hammer, then fasten the bracket with the provided screws.
3. To determine proper height for each bracket, measure from the floor to the bottom of each side panel as outlined in the images below. Ensure both brackets are level.
4. Screw in the mounting pins provided with the anti-tip bracket kit into each side of the range within the bottom oven recess at left and right.
5. For reference, the width of the 30" (762 mm) models oven bottom recess is 28 1/4" (718 mm). Installing both brackets so the mounting side of the bracket faces toward the cabinet should allow both to fit comfortably within that 28 1/4" (718 mm) oven recess. For the 36" (914 mm) models, the recess width is 34 1/4" (870 mm). For the 48" (1219 mm) models, the recess width is 46 1/8" (1172 mm). However, cabinet cutouts vary by kitchen, so be sure to carefully measure before securing the brackets.
6. Slide the range back toward the wall, then safely tilt the front of the range upward slightly and move it back to its final resting place, making sure the mounting pin slides under bracket, as outlined below.



Carefully pull on the range from the rear. If the anti-tip device is installed correctly, the mounting pin will make contact with the bracket and the range will not tip more than 4" (102 mm) from the wall.

INSTALLATION

LIQUID PROPANE GAS CONVERSION PROCEDURE (OPTIONAL)



CAUTION

CAUTION: The gas supply shall be shut off prior to disconnecting the electrical power, before proceeding with the conversion.



CAUTION

CAUTION: Before proceeding with the conversion, shut off the gas supply to the appliance prior to disconnecting the electrical power.



ATTENTION

Attention : Avant de procéder à la conversion, fermer d'abord la source d'alimentation en gaz de l'appareil, puis débrancher le cordon d'alimentation en électricité.

IMPORTANT:

- If you plan to convert to propane, this procedure must be completed before installing the anti-tip device. If you are operating the range on factory-installed natural gas and do not need to convert to liquid propane, skip ahead to page 46.
- A kit for converting to liquid propane gas is supplied with your appliance. The kit is marked:
 - **CGR30/MGR30/SGR30 series ranges:** "Liquid Propane Gas (LPG) Orifice Kit for CGR30-A1/MGR30-A1/SGR30-A2 Series (SGP-LPOK30-A2)"
 - **CGR36/MGR36/SGR36 series ranges:** "Liquid Propane Gas (LPG) Orifice Kit for CGR36-A1/MGR36-A1/SGR36-A2 Series (SGP-LPOK36)"
 - **CGR48/MGR48/SGR48 series ranges:** "Liquid Propane Gas (LPG) Orifice Kit for CGR48-A1/MGR48-A1/SGR48-A2 Series (SGP-LPOK48)"
- **PCGR30/PMGR30/PSGR30 series ranges:** "ZLINE Liquid Propane Gas (LPG) Orifice Kit for PCGR30-A1/PMGR30-A1/PSGR30-A1 Series (PSGP-LPOK30)"
- **PCGR36/PMGR36/PSGR36 series ranges:** "ZLINE Liquid Propane Gas (LPG) Orifice Kit for PCGR36-A1/PMGR36-A1/PSGR36-A1 Series (PSGP-LPOK36)"
- **PCGR48/PMGR48/PSGR48 series ranges:** "ZLINE Liquid Propane Gas (LPG) Orifice Kit for PCGR48-A1/PMGR48-A1/PSGR48-A1 Series (PSGP-LPOK48)"

INSTALLATION

LIQUID PROPANE CONVERSION (CONTINUED)



WARNING

IMPORTANT SAFETY MEASURES

When the appliance is converted for liquid propane gas, the LPG gas supply is required to provide a minimum of 2.5 kPa/10" W.C.P. to a maximum of 3.5 kPa/14" W.C.P. to the appliance regulator.



WARNING

WARNING

This conversion kit shall be installed by a qualified service agency in accordance with the manufacturer's instructions and all applicable codes and requirements of the authority having jurisdiction. If the information in these instructions is not followed exactly, a fire, explosion or production of carbon monoxide may result causing property damage, personal injury or loss of life. The qualified service agency is responsible for the proper installation of this kit. The installation is not proper and complete until the operation of the converted appliance is checked as specified in the manufacturer's instructions supplied with the kit.



AVERTISSEMENT

AVERTISSEMENT

Cet ensemble de conversion doit être installé par un organisme de service qualifié, conformément aux directives du fabricant ainsi qu'à tous les codes applicables et à toutes les exigences des autorités compétentes. Si les directives ne sont pas suivies à la lettre, un incendie, une explosion ou une émission de monoxyde de carbone pourrait se produire et entraîner des dommages matériels et des blessures graves ou mortelles. L'organisme de service qualifié est responsable de l'installation appropriée de cet ensemble de conversion. L'installation n'est pas considérée adéquate et complète tant que le fonctionnement de l'appareil converti n'a pas été vérifié, conformément aux directives du fabricant fournies avec l'ensemble de conversion.

INSTALLATION

LIQUID PROPANE CONVERSION (CONTINUED)

CGR/MGR/SGR SERIES RANGES - CHECKING PRESSURE

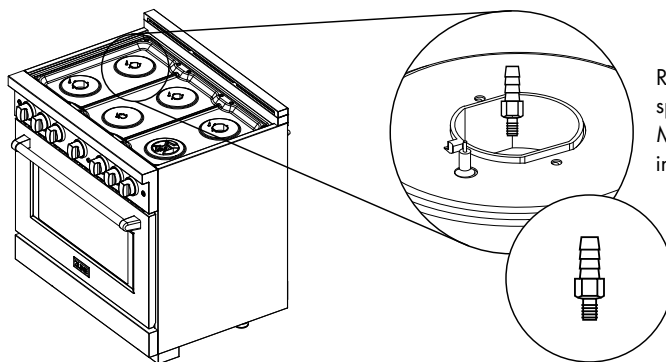
Manifold pressure should be checked on the range top by the technician using their own manometer and a ZLINE-provided test point adapter with tubing as outlined in below (the figure shows an SGR36 series range; the procedure is the same for all models, with the exception of PCGR/PMGR/PSGR series models):

1. By hand, remove the burner spread and burner cap from the rear left or front left burner on the range top.
2. Using a 7 mm nut driver or wrench, remove the gas orifice from the bottom of the burner and mount the test point adapter (see figure below).
3. Turn the rear left or front left burner control knob to the "HI" position.
4. Press in the knob and, while keeping it pressed, check the manifold pressure with the manometer:
 - Natural gas requires 1.2 kPa/5" W.C.P., while liquid propane gas requires 2.7 kPa/11" W.C.P.
 - Incoming line pressure upstream from the regulator must be 0.25 kPa/1" W.C.P. higher than the manifold pressure in order to check the regulator.
 - The regulator used on this range can withstand a maximum input pressure of 1/2 psi (14" W.C.P / 3.5 kPa). If the line pressure is in excess of that amount, a step-up regulator will be required.



CAUTION

For all range models and sizes, do not perform the pressure test on the dual function burners, as this will not allow for proper results. Only perform the test on one of the burners on the far left side of the range top.



Remove the burner spread and burner cap. Mount test point adapter into orifice hole.

NOTE: If the test point adapter or tubing was not included with your range's Liquid Propane Gas Orifice Kit, please contact ZLINE Customer Service at 1-614-777-5004.

INSTALLATION

LIQUID PROPANE CONVERSION (CONTINUED)

PCGR30/PMGR30/PSGR30 & PCGR36/PMGR36/PSGR36 SERIES RANGES - CHECKING PRESSURE

1. Ensure gas and electrical supply is turned off.
2. Using a Phillips head screwdriver, remove the 4 screws holding the protective cover from the regulator.
3. Remove the cover.
4. Using a Phillips head screwdriver, remove the screw from the regulator test point.
5. Place the provided 9 mm plastic tubing over the regulator test point, ensuring that it is a tight fit and there are no leaks.
6. Connect the tube to the test point on your manometer.
7. Turn on the manometer and set the unit of measurement to water columns.
8. Turn on the gas supply to the range.
9. Record the pressure measurement.
 - The recommended pressure for natural gas is 7".
 - The recommended pressure for liquid propane is 11".
10. Turn off the gas supply.
11. Remove the plastic tube from the regulator test point.
12. Using a small Phillips head screwdriver, reinstall the screw into the regulator test point.
13. Reattach the cover using the 4 screws and a Phillips head screwdriver.
14. Turn on the gas supply to the range.

INSTALLATION

LIQUID PROPANE CONVERSION (CONTINUED)

PCGR48/PMGR48/PSGR48 MODELS - CHECKING PRESSURE

1. Ensure gas and electrical supply is turned off.
2. Using a Phillips head screwdriver, remove the 4 screws holding the protective cover from the regulator.
3. Using a #5 Allen wrench, remove the screw from the test point.
4. Install the provided test point adapter using a wrench, be sure not to cross thread or over tighten.
5. Connect the provided 7 mm plastic tube to the test point adapter.
6. Turn on the manometer and set the unit of measurement to water columns.
7. Turn on the gas supply to the range.
8. Record the pressure measurement.
 - The recommended pressure for natural gas is 7".
 - The recommended pressure for liquid propane is 11".
9. Turn off the gas supply.
10. Remove the plastic tube and test point adapter from the regulator.
11. Using a #5 Allen wrench, reinstall the screw into the regulator test point ensuring that it does seal.
12. Reattach the cover using the 4 screws and a Phillips head screwdriver.
13. Turn on the gas supply to the range.

INSTALLATION

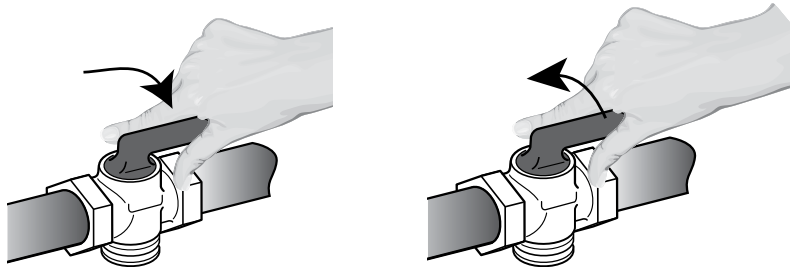
LIQUID PROPANE CONVERSION (CONTINUED)



Disconnect electrical power to the appliance before servicing. Failing to do so may result in death, fire, or electrical shock.

ADJUSTING THE REGULATOR PRESSURE

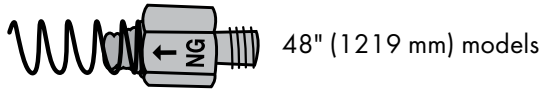
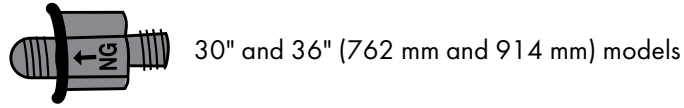
- Shut off the gas supply to the appliance by closing the manual shut-off valve (see images below). Purge the gas line by pushing in the range knobs several times to ensure no more gas is flowing through the system.



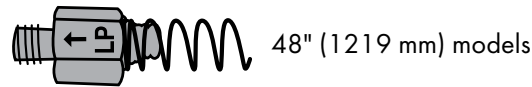
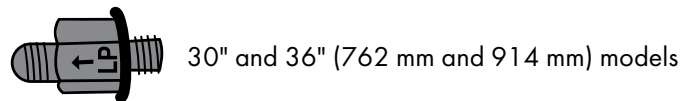
- Unscrew the regulator access cap by hand or with a proper-sized pipe wrench.
- Remove the regulator pin by pulling it out (see figure above).

INSTALLATION

LIQUID PROPANE CONVERSION (CONTINUED)

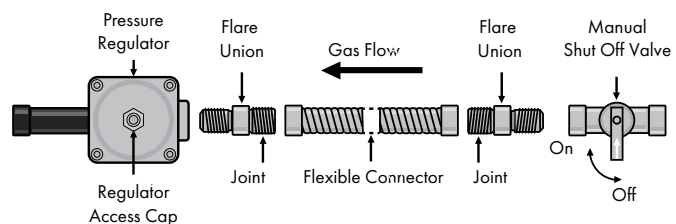
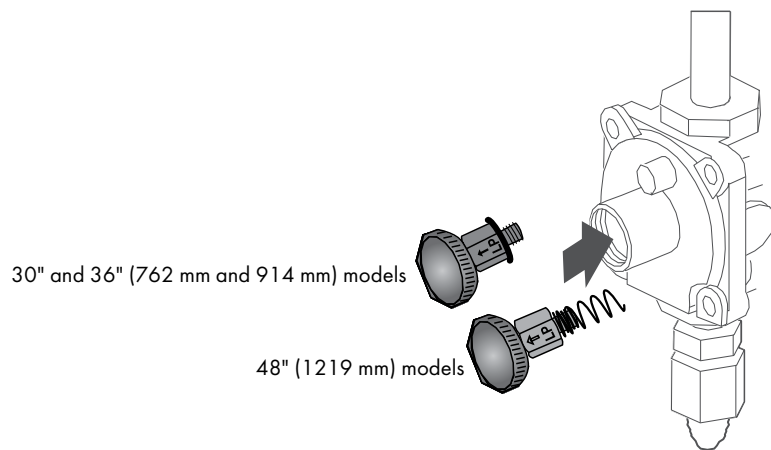


- Unscrew the retainer pin, reverse it, and screw back into the regulator cap as outlined in the figures above and below.
 - For 30" and 36" (762 mm and 914 mm) models, the pin is not attached to a spring.
 - For 48" (1219 mm) models, the pin is attached to a spring. When reversing the pin, ensure the spring is snug when tightening.



- Screw the regulator access cap back into the regulator and re-attach it to the nipple and flare union as shown. DO NOT over-tighten (see figures below).

NOTE: The pressure regulator and cap come pre-installed on the unit; the other parts in the figure at bottom right are not supplied and are the responsibility of the customer to obtain for a qualified installer to install to ensure a safe and effective gas hook-up.

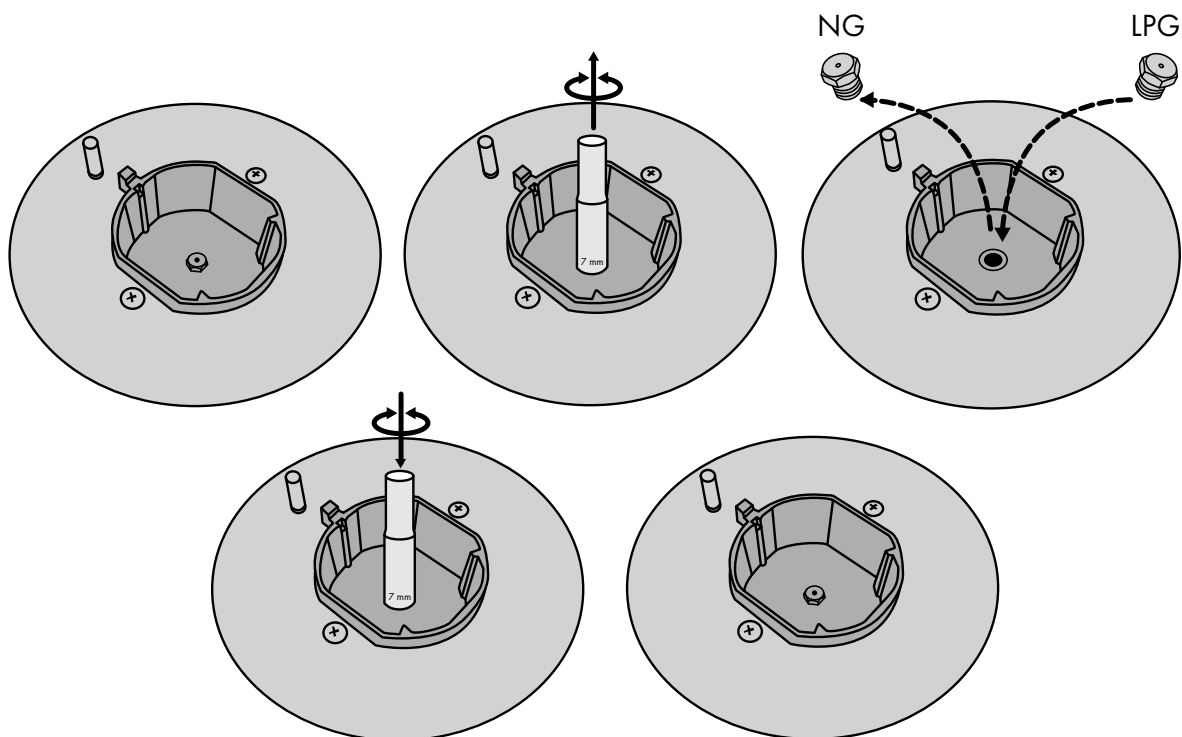


INSTALLATION

LIQUID PROPANE CONVERSION (CONTINUED)

CHANGING BURNER ORIFICES

- After removing the burner grates, burner caps, and burner spreads, use a 7 mm nut driver or wrench to remove the existing natural gas orifices as outlined in the figure below. Carefully read and observe each orifice label for correct location.
- **IMPORTANT:** DO NOT force or over-tighten orifices, as doing so may damage the burner base and affect the flame.
- **NOTE:** Not indicated in the images below are dual burner layouts. Each dual burner includes 3 orifices — 1 in the middle, like below, and 2 on the side. Use a 7 mm wrench to remove the side orifices.



WARNING

Save the orifices removed from the appliance for future use. You should use the same process to re-convert to natural gas. Take extra care when handling steel parts.



WARNING

Conserver les orifices retirés de l'appareil en vue d'une utilisation ultérieure.



WARNING

Care should be taken when removing and replacing gas components. Use proper support to prevent damage to components.

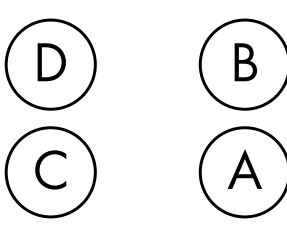
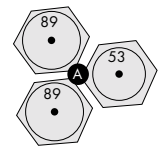
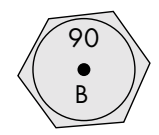
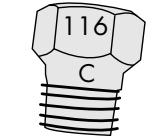
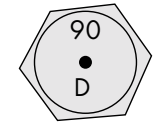
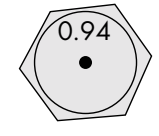
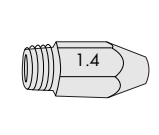
INSTALLATION

LIQUID PROPANE CONVERSION (CONTINUED)

ORIFICE NUMBERS

INSTALLATION TIP: To prevent any mistakes during the conversion, remove ALL existing natural gas orifices first before replacing them with the LPG orifices.

IMPORTANT: Each orifice has a number indicating its flow diameter printed on the body. Install the proper orifice in the exact locations as noted in the illustrations and table below for CGR30/MGR30/SGR30 series ranges. Note the dual burner includes 3 orifices to remove/replace — 1 in the middle and 2 on the side.

| CGR30/MGR30/SGR30 SERIES ORIFICES | | | | |
|---|------------|---|-----------------|-----------------|
| BURNER LAYOUT | BURNER | PICTURE | NG | LPG |
|  | A |  | 1.36 (2) + 0.73 | 0.89 (2) + 0.53 |
| | B |  | 1.36 | 0.90 |
| | C |  | 1.79 | 1.16 |
| | D |  | 1.36 | 0.90 |
| | OVEN BROIL |  | 1.42 | 0.94 |
| | OVEN BAKE |  | 2.13 | 1.40 |

INSTALLATION

LIQUID PROPANE CONVERSION (CONTINUED)

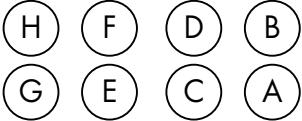
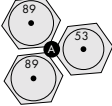

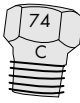

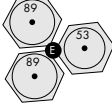




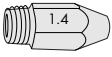

IMPORTANT: Install the proper orifice in the exact locations as noted in the illustrations and table below for CGR36/MGR36/SGR36 series ranges. Note the dual burner includes 3 orifices to remove/replace – 1 in the middle and 2 on the side.

| CGR36/MGR36/SGR36 SERIES ORIFICES | | | | |
|-----------------------------------|------------|---------|-----------------|-----------------|
| BURNER LAYOUT | BURNER | PICTURE | NG | LPG |
| | A | | 1.36 (2) + 0.73 | 0.89 (2) + 0.53 |
| | B | | 1.57 | 1.00 |
| | C | | 1.07 | 0.74 |
| | D | | 1.36 | 0.90 |
| | E | | 1.79 | 1.16 |
| | F | | 1.36 | 0.90 |
| | OVEN BROIL | | 1.42 | 0.94 |
| | OVEN BAKE | | 2.13 | 1.40 |

INSTALLATION

LIQUID PROPANE CONVERSION (CONTINUED)

IMPORTANT: Install the proper orifice in the exact locations as noted in the illustrations and table below for CGR48/MGR48/SGR48 series ranges. Note the CGR48/MGR48/SGR48 range includes 2 dual burners (A and E); both include 3 orifices to remove/replace — 1 in the middle and 2 on the side.

| CGR48/MGR48/SGR48 SERIES ORIFICES | | | | |
|---|------------|---|-----------------|-----------------|
| BURNER LAYOUT | BURNER | PICTURE | NG | LPG |
|  | A |  | 1.36 (2) + 0.73 | 0.89 (2) + 0.53 |
| | B |  | 1.57 | 1.00 |
| | C |  | 1.07 | 0.74 |
| | D |  | 1.36 | 0.90 |
| | E |  | 1.36 (2) + 0.73 | 0.89 (2) + 0.53 |
| | F |  | 1.57 | 1.00 |
| | G |  | 1.07 | 0.74 |
| | H |  | 1.36 | 0.90 |
| | OVEN BROIL |  | 1.42 | 0.94 |
| | OVEN BAKE |  | 2.13 | 1.40 |
| | SMALL OVEN |  | 1.68 | 1.09 |

INSTALLATION

LIQUID PROPANE CONVERSION (CONTINUED)







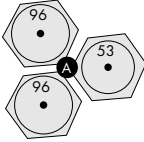
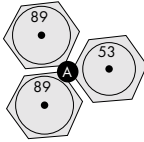
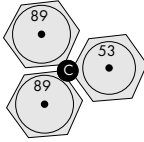
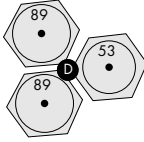
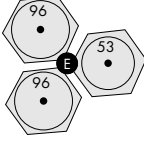
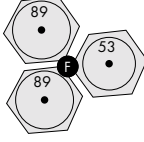

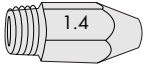
IMPORTANT: Install the proper orifice in the exact locations as noted in the illustrations and table below for PCGR30/PMGR30/PSGR30 series ranges. Note the dual burner includes 3 orifices to remove/replace — 1 in the middle and 2 on the side.

| PCGR30/PMGR30/PSGR30 SERIES ORIFICES | | | | |
|--------------------------------------|------------|---------|-----------------|-----------------|
| BURNER LAYOUT | BURNER | PICTURE | NG | LPG |
| | A | | 1.50 (2) + 0.75 | 0.96 (2) + 0.53 |
| | B | | 1.36 (2) + 0.73 | 0.89 (2) + 0.53 |
| | C | | 1.36 (2) + 0.73 | 0.89 (2) + 0.53 |
| | D | | 1.36 (2) + 0.73 | 0.89 (2) + 0.53 |
| | OVEN BROIL | | 1.42 | 0.94 |
| | OVEN BAKE | | 2.13 | 1.40 |

INSTALLATION

LIQUID PROPANE CONVERSION (CONTINUED)

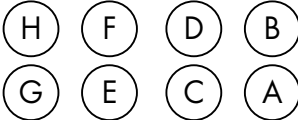
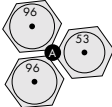
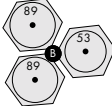
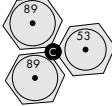
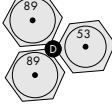
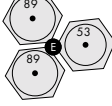
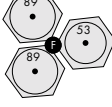
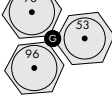
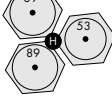

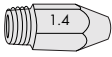

IMPORTANT: Install the proper orifice in the exact locations as noted in the illustrations and table below for PCGR36/PMGR36/PSGR36 series ranges. Note the dual burner includes 3 orifices to remove/replace – 1 in the middle and 2 on the side.

| PCGR36/PMGR36/PSGR36 SERIES ORIFICES | | | | |
|---|------------|---|-----------------|-----------------|
| BURNER LAYOUT | BURNER | PICTURE | NG | LPG |
| <div style="display: flex; justify-content: space-around; align-items: center;"> <div style="text-align: center;">   </div> <div style="text-align: center;">   </div> <div style="text-align: center;">   </div> </div> | A |  | 1.50 (2) + 0.75 | 0.96 (2) + 0.53 |
| | B |  | 1.36 (2) + 0.73 | 0.89 (2) + 0.53 |
| | C |  | 1.36 (2) + 0.73 | 0.89 (2) + 0.53 |
| | D |  | 1.36 (2) + 0.73 | 0.89 (2) + 0.53 |
| | E |  | 1.50 (2) + 0.75 | 0.96 (2) + 0.53 |
| | F |  | 1.36 (2) + 0.73 | 0.89 (2) + 0.53 |
| | OVEN BROIL |  | 1.42 | 0.94 |
| | OVEN BAKE |  | 2.13 | 1.40 |

INSTALLATION

LIQUID PROPANE CONVERSION (CONTINUED)

IMPORTANT: Install the proper orifice in the exact locations as noted in the illustrations and table below for PCGR48/PMGR48/PSGR48 series ranges. Note the dual burner includes 3 orifices to remove/replace — 1 in the middle and 2 on the side.

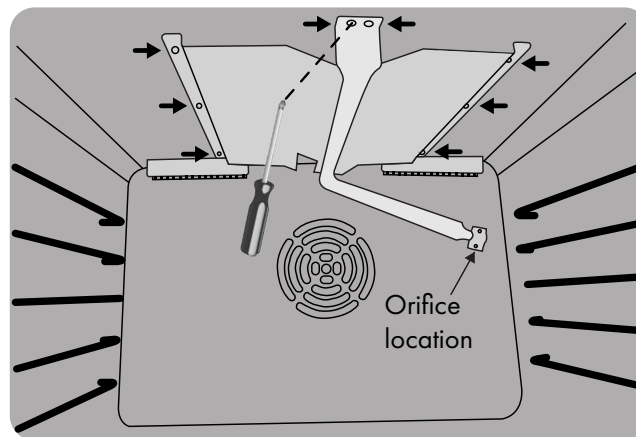
| PCGR48/PMGR48/PSGR48 SERIES ORIFICES | | | | |
|---|------------|---|-----------------|-----------------|
| BURNER LAYOUT | BURNER | PICTURE | NG | LPG |
|  | A |  | 1.50 (2) + 0.75 | 0.96 (2) + 0.53 |
| | B |  | 1.36 (2) + 0.73 | 0.89 (2) + 0.53 |
| | C |  | 1.36 (2) + 0.73 | 0.89 (2) + 0.53 |
| | D |  | 1.36 (2) + 0.73 | 0.89 (2) + 0.53 |
| | E |  | 1.36 (2) + 0.73 | 0.89 (2) + 0.53 |
| | F |  | 1.36 (2) + 0.73 | 0.89 (2) + 0.53 |
| | G |  | 1.50 (2) + 0.75 | 0.96 (2) + 0.53 |
| | H |  | 1.36 (2) + 0.73 | 0.89 (2) + 0.53 |
| | OVEN BROIL |  | 1.42 | 0.94 |
| | OVEN BAKE |  | 2.13 | 1.40 |
| | SMALL OVEN |  | 1.68 | 1.09 |

INSTALLATION

LIQUID PROPANE CONVERSION (CONTINUED)

CHANGING UPPER OVEN ORIFICES - 30", 36", & 48" (762 mm, 914 mm, & 1219 mm) LARGE OVEN

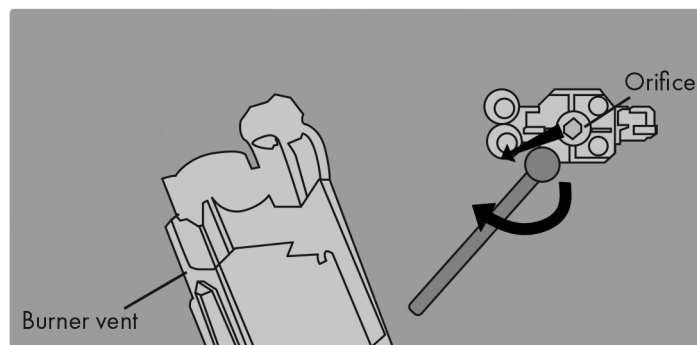
1. Open the oven door and remove the racks. To do so, slide out the racks to their full extensions, and then lift them up and out of the sliding mechanisms. Next, remove the bottom drip pan by lifting up from each front corner and sliding out, using care to not damage the lower burner spread in the process. Set aside.
2. Remove the upper broil burner spread screws (8 total — 2 at the front and 3 along each side) with a Phillips head bit or screwdriver, as shown in the figure below. Carefully remove the burner vent from its connection against the back wall of the oven. This provides access to the orifice.



INSTALLATION

LIQUID PROPANE CONVERSION (CONTINUED)

- Using a 7 mm socket wrench, remove the natural gas orifice as outlined in the figure below; set it aside and replace with the liquid propane gas orifice. Screw in the new orifice; use care to not overtighten. Place the burner vent back into position over the new orifice as outlined in the figure below, then re-secure the burner spread with the screws removed in Step 2.



WARNING Be careful not to scratch or damage the connection wire that will remain connected throughout this procedure for the upper burner spread.

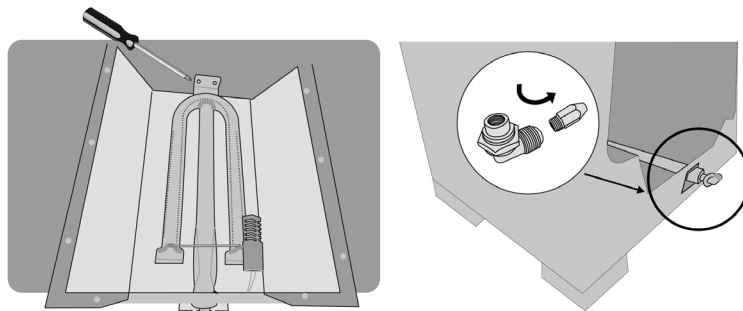
INSTALLATION

LIQUID PROPANE CONVERSION (CONTINUED)

CHANGING LOWER OVEN ORIFICES - 30", 36", & 48" (762 mm, 914 mm, & 1219 mm) SMALL AND LARGE OVENS

4. For the lower burner spread, remove the 2 screws at the rear of the oven, as outlined in the left image below. Carefully lift the burner up and back into the oven cavity to access the orifice located at the front of the burner.

Using a 10 mm socket wrench, remove the natural gas orifice as outlined in the right image below; set aside and replace with the liquid propane gas orifice. Place the burner vent back into position before re-securing the 2 screws at the rear of the oven.



5. When finished, replace the bottom drip pan and the sliding racks in the reverse order in which they were removed in Step 1.

NOTES:

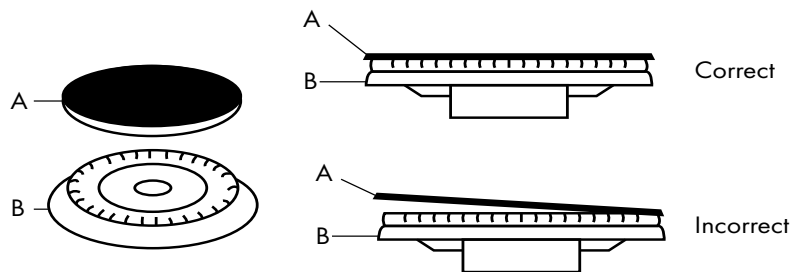
- The diagrams above detail the lower burner spreads for the 30" and 36" (762 mm and 914 mm) models, as well as that of the larger oven on the 48" (1219 mm) models. For the 48" (1219 mm) model smaller oven, the lower burner spread will look slightly different; however, the orifice swap process in Step 4 remains the same.
- Since the 48" (1219 mm) model smaller oven doesn't have an upper broil burner, no upper orifice change is needed for liquid propane conversion.

INSTALLATION

INSTALLING PARTS

BURNER SPREADS AND CAPS

- After unpacking the range, set the cast iron grates aside and remove the burner spreads and caps from the parts storage location under the grates.
- Place each spread on the appropriate burner by making sure the hole fits over the white metal electrode spark tip. Next, place each burner cap on top until snug.
- Burners may only partially ignite or not light at all if burner spreads (B) or caps (A) are not properly installed, as outlined below:



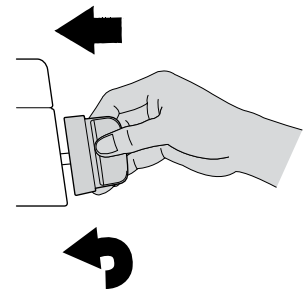
CAST IRON GRATES

- Next, place the cast iron grates on top the range, using care to not scratch the porcelain cooktop. There are rubber feet on the bottom of each grate and slots on the cooktop where each grate fits into.
- 48" (1219 mm) models come with an enameled reversible cast iron griddle that can be placed vertically (front to back) on any of the four cast iron grates. Do not place the griddle horizontally (left to right) across multiple grates.

INSTALLATION

KNOB INSTALLATION

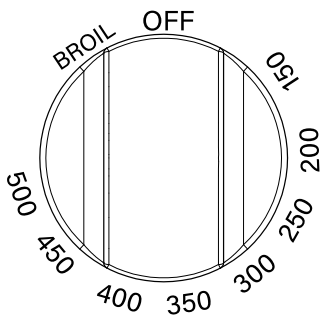
To install the control knobs, align each knob to the OFF position (or the indicator line on the knob) and carefully push it straight onto the corresponding control shaft until fully seated. Do not force the knob.



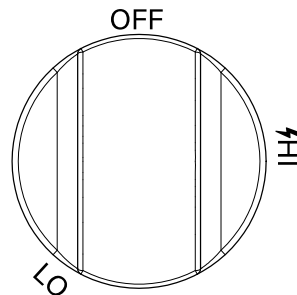
CGR30/MGR30/SGR30 SERIES RANGE KNOBS (5 TOTAL)

- The oven control knob installs onto the center control shaft.
- Burner control knobs install onto the control shafts located on either side of the oven control.
- The dual function burner control knob installs onto the far-right control shaft.

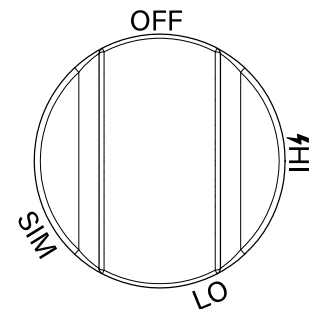
CGR/SGR SERIES MODELS



Oven Knob (1)

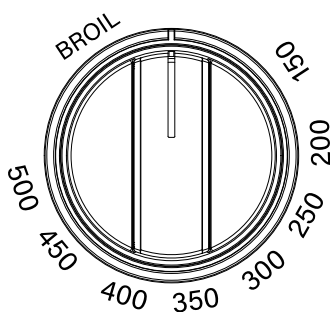


Burner Knobs (3)

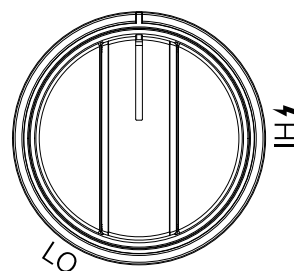


Dual Function Knob (1)

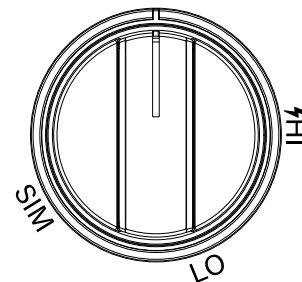
MGR SERIES MODELS



Oven Knob (1)



Burner Knobs (3)



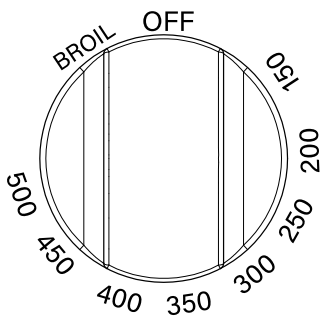
Dual Function Knob (1)

INSTALLATION

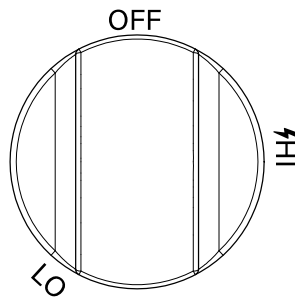
CGR36/SGR36 SERIES RANGE KNOBS (7 TOTAL)

- The oven control knob installs onto the center control shaft.
- Burner control knobs install onto the control shafts located on either side of the oven control.
- The dual function burner control knob installs onto the far-right control shaft.

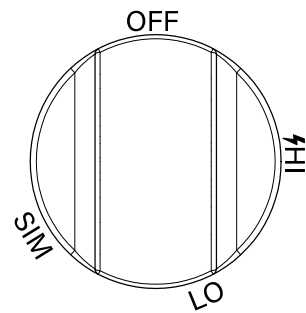
CGR/SGR SERIES MODELS



Oven Knob (1)

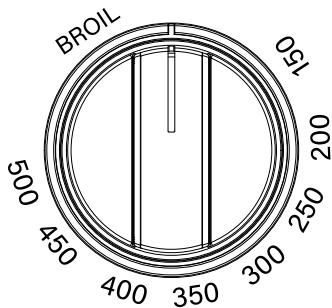


Burner Knobs (5)

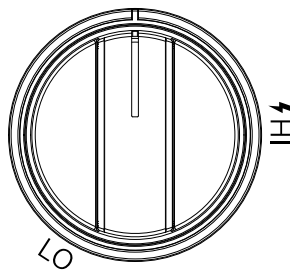


Dual Function Knob (1)

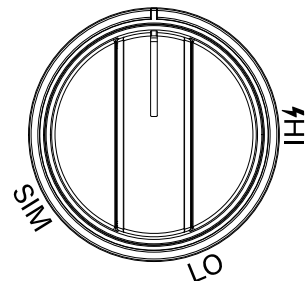
MGR SERIES MODELS



Oven Knob (1)



Burner Knobs (5)



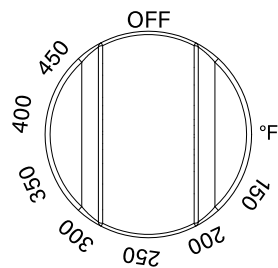
Dual Function Knob (1)

INSTALLATION

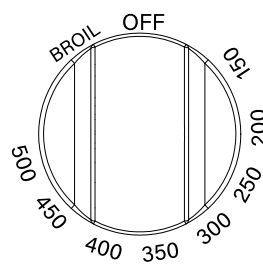
CGR48/SGR48 SERIES RANGE KNOBS (10 TOTAL)

- The oven control knobs install on the two center control shafts, with the small oven knob on the left.
- Burner control knobs install onto the control shafts located on either side of the oven controls.
- One dual function burner knob installs immediately to the left of the small oven control, and the second dual function burner knob installs onto the far-right control shaft.

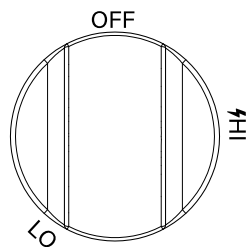
CGR/SGR SERIES MODELS



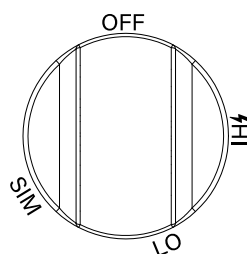
Small Oven Knob (1)



Large Oven Knob (1)



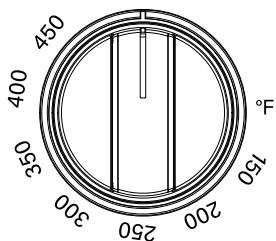
Burner Knobs (6)



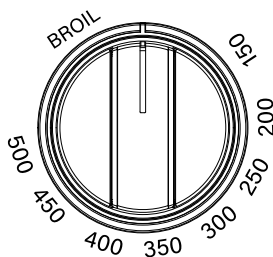
Dual Function Knobs (2)

INSTALLATION

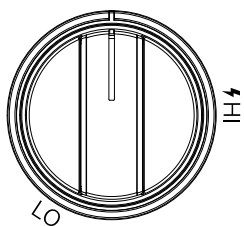
MGR SERIES MODELS



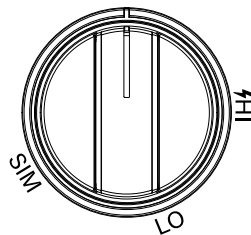
Small Oven Knob (1)



Large Oven Knob (1)



Burner Knobs (6)



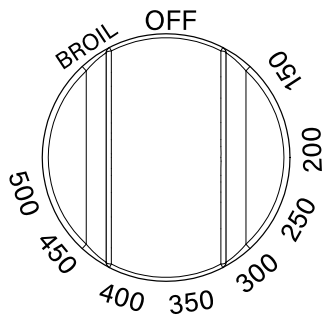
Dual Function Knobs (2)

INSTALLATION

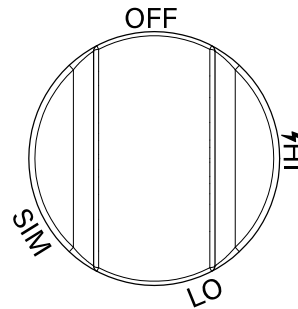
PCGR30/PMGR30/PSGR30 SERIES RANGE KNOBS (5 TOTAL)

The oven control knob installs on the center control shaft, with burner control knobs installing onto the control shafts on each side.

PCGR/PSGR SERIES MODELS

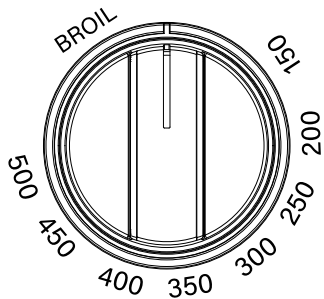


Oven Knob (1)

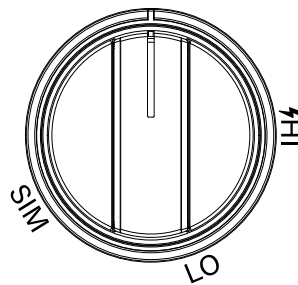


Dual Function Knob (4)

PMGR SERIES MODELS



Oven Knob (1)



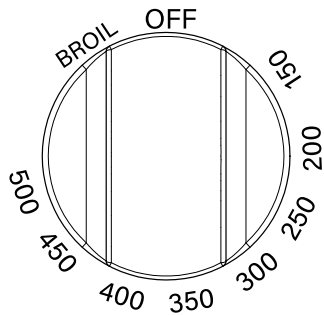
Dual Function Knob (4)

INSTALLATION

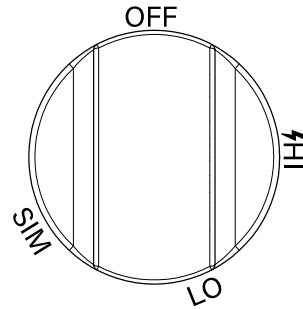
PCGR36/PMGR36/PSGR36 SERIES RANGE KNOBS (7 TOTAL)

The oven control knob installs on the center control shaft, with burner control knobs installing onto the control shafts on each side.

PCGR/PSGR SERIES MODELS

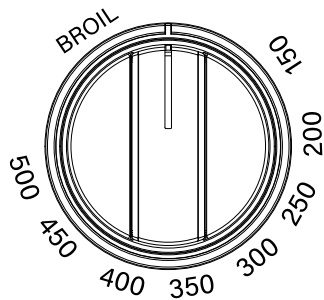


Oven Knob (1)

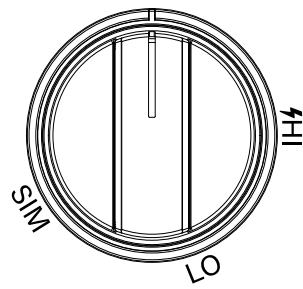


Dual Function Knob (6)

PMGR SERIES MODELS



Oven Knob (1)



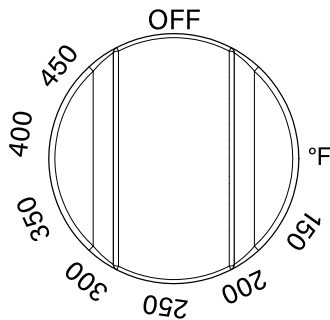
Dual Function Knob (6)

INSTALLATION

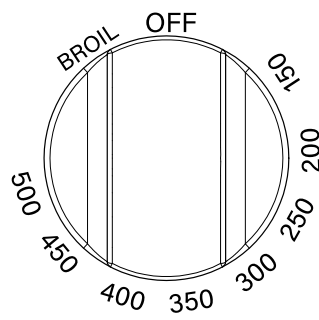
PCGR48/PMGR48/PSGR48 SERIES RANGE KNOBS (7 TOTAL)

The oven control knobs install on the two center control shafts with the small oven knob on the left. The burner control knobs install onto the control shafts on each side.

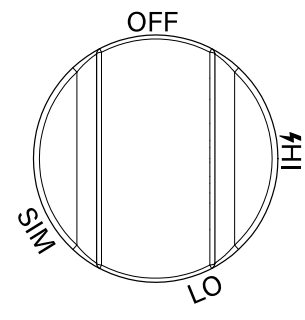
PCGR/PSGR SERIES MODELS



Small Oven Knob (1)

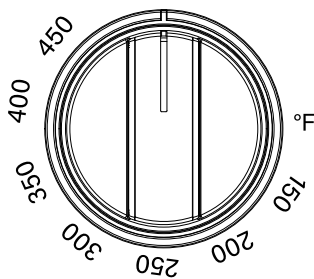


Large Oven Knob (1)

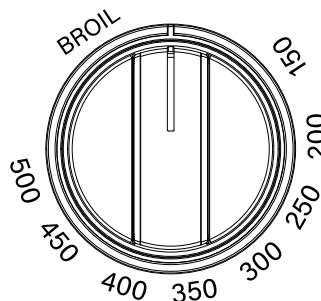


Dual Function Knobs (8)

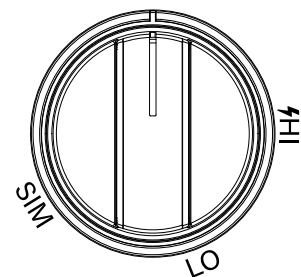
PMGR SERIES MODELS



Small Oven Knob (1)



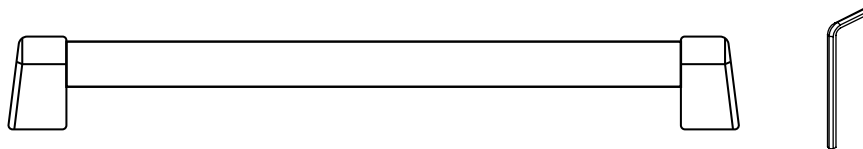
Large Oven Knob (1)



Dual Function Knobs (8)

INSTALLATION

INSTALLING THE HANDLE

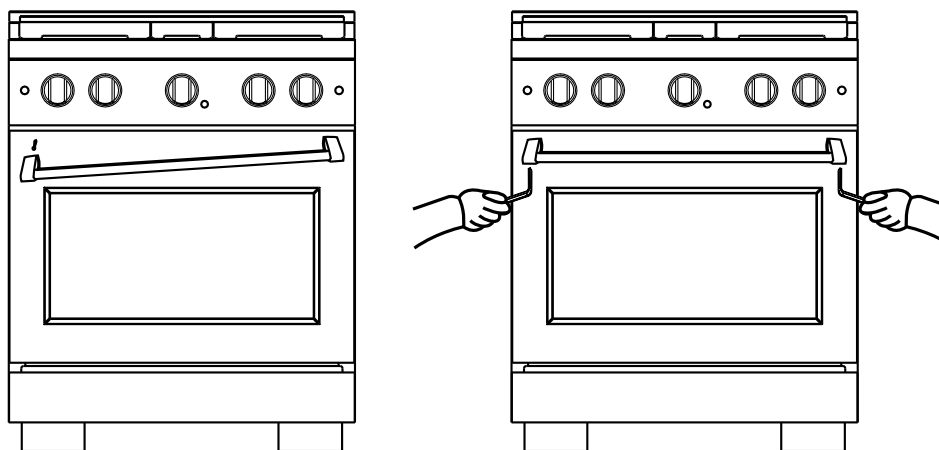


- Position the handle brackets onto the pre-installed mounting studs located on each side of the oven door (see left image below).
- Once the handle is positioned, locate the set screw holes on the underside of each handle bracket base. Using the provided 1/8" (3 mm) Allen wrench (hex key), tighten the left and right screws until the handle is securely fastened (see right image below).
- Verify that the handle is level and firmly attached.
- **NOTE:** Oven door handles are pre-installed on 48" (1219 mm) models.



WARNING

Do not overtighten the screws. Overtightening may strip the screws and cause the handle to become loose or unstable.



WARNING

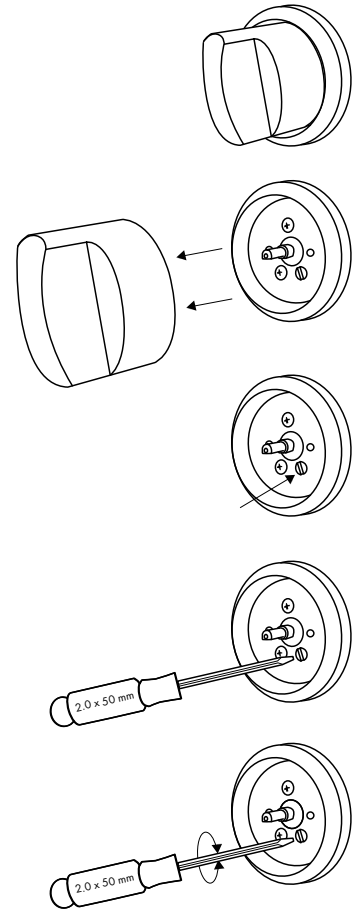
Do not lift the unit by the oven door handle. Doing so increases risk of personal injury and may damage the range, its door, or the door handle, and as such may void the product warranty.

INSTALLATION

MANUAL FLAME ADJUSTMENT

SINGLE RING BURNERS

- Each range includes a flame adjustment feature if burners experience irregular flame sizes or are too yellow or orange in color. Ranges are designed to ensure flames are set at appropriate levels. Should an adjustment be needed, follow these steps:
- Light one burner at a time and set it to the lowest position. Next, remove the knob by firmly and carefully pulling it straight out.
- Inside each burner is an adjustment valve. Using a 2 mm x 50 mm flathead screwdriver, locate the adjustment screw (see diagram — the screw is on the right) and turn the screwdriver to the right or left until the flame is adjusted to the desired minimum. Use a flashlight if it's difficult to see the adjustment screw.
- Make sure the flame does not go out when switching quickly from the HI to the LO position. **NOTE:** The high flame setting cannot be adjusted to be lower.
- **NOTE:** For the dual burner knobs, there are 2 screws to adjust if needed — 1 for the inner ring and 1 for the outer ring. These screws are located on the left side of the adjustment valve.



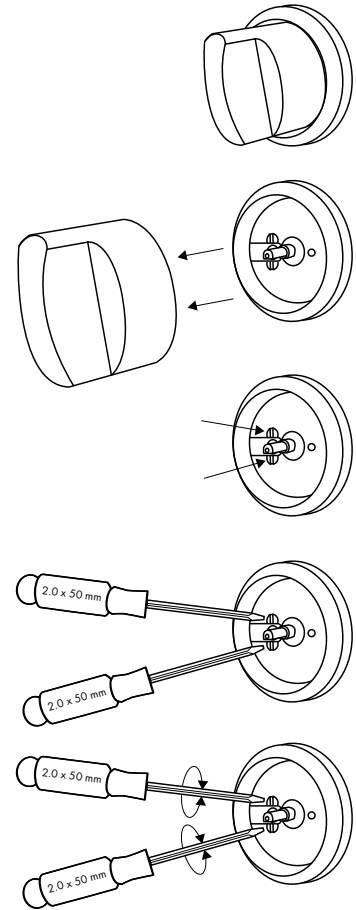
Scan to follow along with a video.

INSTALLATION

MANUAL FLAME ADJUSTMENT

DUAL RING BURNERS

- Each range includes a flame adjustment feature if burners experience irregular flame sizes or are too yellow or orange in color. Ranges are designed to ensure flames are set at appropriate levels. Should an adjustment be needed, follow these steps:
- Light one burner at a time and set it to the lowest position. Next, remove the knob by firmly and carefully pulling it straight out.
- Inside each burner are two adjustment valves. Using a 2 mm x 50 mm flathead screwdriver, locate the adjustment screws (see diagram — the screws are on the left) and turn the screwdriver to the right or left until the flame is adjusted to the desired minimum. Use a flashlight if it's difficult to see the adjustment screws.
- Make sure the flame does not go out when switching quickly from the HI to the LO position. **NOTE:** The high flame setting cannot be adjusted to be lower.



Scan to follow along with a video.

INSTALLATION

FINAL CHECKLIST

- Verify that the range does not tip more than 4" (102 mm).
- Confirm that the spark electrode tip for each burner is properly seated in the burner spread opening.
- Ensure each burner cap is correctly positioned, level, and seated securely on the burner spreader.
- Confirm that all grates are properly installed on the cooktop. Take care to avoid scratching the burner caps, burner spreaders, or porcelain cooktop surface.
- Using a level, verify that the range is level and even with the countertop. An unlevel appliance may result in uneven baking.
- After all connections have been made, ensure all range controls are in the OFF position, then turn on the main gas supply valve.



After the gas supply is turned on, it may take several minutes for air to purge from the gas line and for gas to flow freely through the appliance. As a result, multiple ignition attempts may be required to light the cooktop burners and/or oven.

Refer to the User Manual for instructions on operating the cooktop burners and adjusting flame settings.

WARRANTY

COVERAGE

ZLINE Kitchen and Bath ("ZLINE") gas ranges have a one year parts and service warranty and a limited lifetime warranty on burners, which includes parts and labor for spark tips.

ZLINE warranty periods begin from the original date of product delivery and solely cover the original purchaser of the product, delivered new and in its original carton. The limited warranty covers all parts and labor for necessary repairs if any part of the product, or the product itself, proves to be defective in materials or workmanship. The product must be deemed serviceable via troubleshooting with the ZLINE Customer Experience team. All service on ZLINE products under warranty must be performed by ZLINE-approved and ZLINE-certified service providers unless otherwise specified by ZLINE. Service will be provided during normal business hours. Products must be unobstructed and accessible to the service provider at the time of service. ZLINE's liability is limited to the original purchase price of the product. Additional injuries, losses, damages, or other inconveniences caused by product malfunction or defects in materials are not covered under the terms of this warranty.

TERMS

ZLINE warranties apply only to the original purchaser of a ZLINE product installed for normal residential use. This is defined as a single-family, residential dwelling in a non-commercial setting. Any warranty claim stemming from installation, operation, or any other use within a commercial setting is not covered under this limited warranty. Commercial settings include, but are not limited to: schools, churches, hotels, restaurants, vacation rentals such as Airbnb, daycare centers, private clubs, fire stations, common areas in multi-family dwellings, nursing homes, food service locations, and institutional food service locations such as hospitals or correctional facilities.

This warranty is non-transferable and will not under any circumstance be extended based on the date of installation — the warranty period takes effect from the date of delivery and only covers the original purchaser. The warranty applies only to products installed in the contiguous United States and the District of Columbia. Failure to secure certified warranty service per these terms will result in a forfeiture of the remaining warranty. Out-of-pocket payments will not be reimbursed unless prior approval is received from ZLINE and/or ZLINE-certified service contract partners. Unapproved out-of-pocket payments for service will not be reimbursed. All warranty procedures must be followed to maintain warranty coverage.

WARRANTY

If a product qualifies within the service window provided under these warranty terms, and ZLINE is unable to repair the product or a defective part of the product after a reasonable number of attempts, ZLINE reserves the right to offer to replace the defective part or the product or provide the original purchaser a full refund of the purchase price of the product (not including installation, removal, or other charges that were not included in the original purchase price). The original purchaser of the product must provide the original proof of purchase, including the purchase date, when filing a claim to obtain replacement parts, service, or refunds. Additionally, the original purchaser of the product must provide the serial number of the product when filing a claim to obtain replacement parts, service, or refunds.

This warranty shall not apply to any ZLINE product in which the original factory serial number has been removed, altered, or cannot be readily determined for any reason. Further, ZLINE is not responsible for damage resulting from, but not limited to: shipment, delivery, or improper installation; negligence or improper maintenance, misuse, or abuse of the product; unauthorized alteration, modification, or tampering with the product; accident, fire, floods, pest infestations, pandemics, natural disasters, or any other unpreventable or unexplained acts of nature, commonly referred to as "acts of God"; flare-up fires or damages caused by improper electric supply, electrical line current, voltage, or power surges; and service to correct installation not in accordance with the instructions contained in ZLINE's product manuals and/or with local government codes.

This warranty does not apply to aesthetic damage, scratches, or natural wear caused by normal use; second-hand, open box products, or products purchased from an unauthorized retailer; improper liquid propane gas conversion or damage related to improper liquid propane gas conversion; burner flame adjustments or related complaints; corrections regarding normal adjustments or settings or local gas supply issues resulting in low pressure or other issues; damages or issues stemming from alteration or tampering with the range, including, but not limited to, painting any portion of the product's interior or exterior and cutting the supplied power cord to manually hardwire the product; and service for gas pressure issues related to installation at high altitudes. A high-altitude pressure regulator must be sourced by the customer.

In the event service is dispatched, and it is discovered that the reported issue is not covered under warranty based on the disclaimers above, the customer will be responsible for all service fees. Failure to pay these fees will result in the forfeiture of remaining warranty coverage.

WARRANTY

Information contained within ZLINE's installation and user manuals, in addition to product information included on ZLINE's website and all related digital listings, do not cover every possible condition and situation that may occur during the installation or operation of ZLINE products.

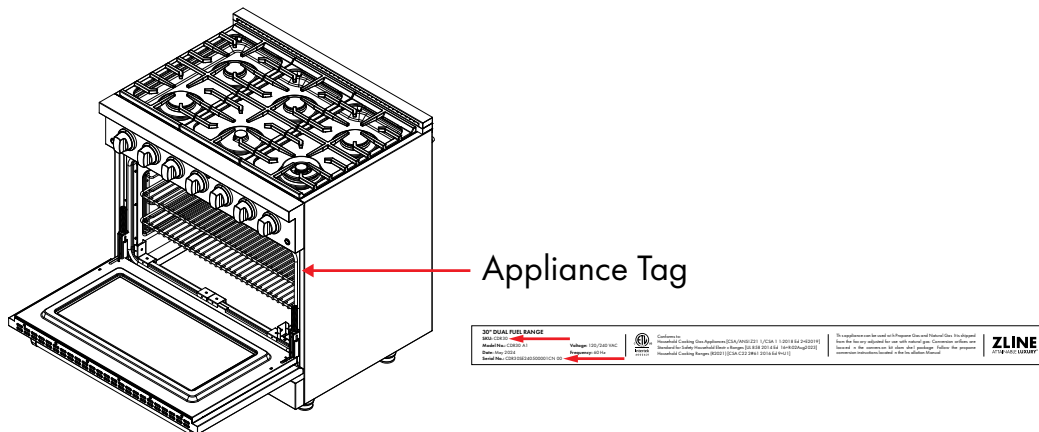
ZLINE reserves the right to make changes at any time to its products when considered safe, necessary, and useful. Always check the ZLINE website for the most up-to-date version of its product manuals: www.zlinekitchen.com/pages/manuals.

Do not install or operate any ZLINE product if it has missing or broken parts or if it arrives damaged due to shipping. If ZLINE products arrive damaged, contact ZLINE Customer Experience at 1-614-777-5004 for help. Failure to report a damaged appliance prior to installation or operation may void the warranty.

ZLINE disclaims responsibility for damage or injury caused by improper installation or use of any of its products. ZLINE is under no obligation, by law or otherwise, to provide concessions, including repairs, prorates, rebates, discounts, or replacements, once the warranty has expired.

SERIAL NUMBER LOCATION

Please write down the model number (highlighted in the image below as the "SKU") and serial number of your appliance. Both numbers are located on the rating tag located on the right front edge of your range. Do not remove permanently affixed labels, warnings, or plates from the product. This will void the warranty. You may also consider attaching your receipt or proof of purchase to this manual.



WARRANTY

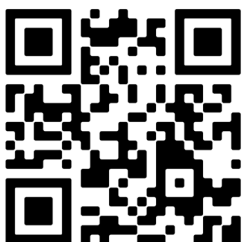


SERVICE

For warranty service, please contact our Customer Service team at 1-614-777-5004 or visit www.zlinekitchen.com/contact to utilize our online Customer Experience Portal.



Scan the QR code to view the most up-to-date version of our Installation Manual and User Manual.



Need to purchase a part or accessory for your ZLINE product?
Visit www.zlineparts.com, ZLINE's official parts distribution partner.

5.2.2

zlinekitchen.com

1-614-777-5004

contact@zlinekitchen.com

ZLINE
ATTAINABLE LUXURY®