



Built-In Electric WALL OVEN

SAFETY INFORMATION3

USING THE OVEN

Single Wall Oven Controls6

Double Wall Oven Controls7

Special Features.....8

Sabbath Mode.....9

Oven Racks10

Aluminum Foil and Oven Liners.....10

Cookware.....10

Cooking Modes.....11

Cooking Guide12

CARE AND CLEANING

Oven.....13

Oven Light.....14

Oven Door.....15

TROUBLESHOOTING TIPS.....16

LIMITED WARRANTY18

ACCESSORIES19

CONSUMER SUPPORT20

OWNER'S MANUAL

- JKS3000 - 27" Single Wall Oven
- JTS3000 - 30" Single Wall Oven
- JKD3000 - 27" Double Wall Oven
- JTD3000 - 30" Double Wall Oven

Write the model and serial numbers here:

Model # _____

Serial # _____

You can find them on a label on the side trim or on the front of the (lower) oven behind the oven door.

ESPAÑOL

Para consultar una version en español de este manual de instrucciones, visite nuestro sitio de internet GEAppliances.com.

THANK YOU FOR MAKING GE APPLIANCES A PART OF YOUR HOME.

Whether you grew up with GE Appliances, or this is your first, we're happy to have you in the family.

We take pride in the craftsmanship, innovation and design that goes into every GE Appliances product, and we think you will too. Among other things, registration of your appliance ensures that we can deliver important product information and warranty details when you need them.

Register your GE appliance now online. Helpful websites and phone numbers are available in the Consumer Support section of this Owner's Manual. You may also mail in the pre-printed registration card included in the packing material.



GE APPLIANCES

IMPORTANT SAFETY INFORMATION

READ ALL INSTRUCTIONS BEFORE USING THE APPLIANCE

▲WARNING Read all safety instructions before using the product. Failure to follow these instructions may result in fire, electrical shock, serious injury or death.

▲WARNING GENERAL SAFETY INSTRUCTIONS

- Use this appliance only for its intended purpose as described in this Owner's Manual.
- Be sure your appliance is properly installed and grounded by a qualified installer in accordance with the provided installation instructions.
- Do not attempt to repair or replace any part of your oven unless it is specifically recommended in this manual. All other servicing should be performed by a qualified technician.
- Before performing any service, disconnect the power supply at the household distribution panel by removing the fuse or switching off the circuit breaker.
- Do not leave children alone—children should not be left alone or unattended in an area where an appliance is in use. They should never be allowed to climb, sit or stand on any part of the appliance.
- **▲CAUTION** Do not store items of interest to children in cabinets above an oven - children climbing on the oven to reach items could be seriously injured.
- Use only dry pot holders—moist or damp pot holders on hot surfaces may result in burns from steam. Do not let pot holders touch hot heating elements. Do not use a towel or other bulky cloth in place of pot holders.
- Never use your appliance for warming or heating the room.
- Do not touch the heating elements or the interior surface of the oven. These surfaces may be hot enough to burn even though they are dark in color. During and after use, do not touch, or let clothing or other flammable materials contact any interior area of the oven; allow sufficient time for cooling first. Other surfaces of the appliance may become hot enough to cause burns. Potentially hot surfaces include the oven vent opening, surfaces near the opening and crevices around the oven door.
- Do not heat unopened food containers. Pressure could build up and the container could burst, causing an injury.
- Do not use any type of foil or liner to cover the oven bottom or anywhere in the oven, except as described in this manual. Oven liners can trap heat or melt, resulting in damage to the product and risk of shock, smoke or fire.
- Avoid scratching or impacting glass doors or control panels. Doing so may lead to glass breakage. Do not cook on a product with broken glass. Shock, fire or cuts may occur.
- Cook meat and poultry thoroughly—meat to at least an internal temperature of 160°F and poultry to at least an internal temperature of 180°F. Cooking to these temperatures usually protects against foodborne illness.

▲WARNING KEEP FLAMMABLE MATERIALS AWAY FROM THE OVEN

Failure to do so may result in fire or personal injury.

- Do not store or use flammable materials in or near an oven, including paper, plastic, pot holders, linens, wall coverings, curtains, drapes and gasoline or other flammable vapors and liquids.
- Never wear loose-fitting or hanging garments while using the appliance. These garments may ignite if they contact hot surfaces, causing severe burns.
- Do not let cooking grease or other flammable materials accumulate in or near the oven. Grease in the oven or near the oven may ignite.
- **Remote Operation** - This appliance is configurable to allow remote operation at any time. Do not store any flammable materials or temperature sensitive items inside of the appliance.

READ AND SAVE THESE INSTRUCTIONS

IMPORTANT SAFETY INFORMATION

READ ALL INSTRUCTIONS BEFORE USING THE APPLIANCE

▲WARNING IN THE EVENT OF A FIRE, TAKE THE FOLLOWING STEPS TO PREVENT INJURY AND FIRE SPREADING

- Do not use water on grease fires. Never pick up a flaming pan.
- If there is a fire in the oven during baking, smother the fire by closing the oven door and turning the oven off or by using a multi-purpose dry chemical or foam-type fire extinguisher.
- If there is a fire in the oven during self-clean, turn the oven off and wait for the fire to go out. Do not force the door open. Introduction of fresh air at self-clean temperatures may lead to a burst of flame from the oven. Failure to follow this instruction may result in severe burns.

▲WARNING OVEN SAFETY INSTRUCTIONS

- Stand away from the oven when opening the oven door. Hot air or steam which escapes can cause burns to hands, face and/or eyes.
- Keep the oven vent unobstructed.
- Keep the oven free from grease buildup. Grease in the oven may ignite.
- Place oven racks in desired location while oven is cool. If rack must be moved while oven is hot, do not let pot holder contact hot heating element in oven.
- When using cooking or roasting bags in the oven, follow the manufacturer's directions.
- Pulling out the standard racks to their stop-locks or the extension rack to its fully open position is a convenience in lifting heavy foods. It is also a precaution against burns from touching hot surfaces of the door or oven walls.
- Do not leave items such as paper, cooking utensils or food in the oven when not in use. Items stored in an oven can ignite.
- Never place cooking utensils, pizza or baking stones, or any type of foil or liner on the oven floor. These items can trap heat or melt, resulting in damage to the product and risk of shock, smoke or fire.

▲WARNING SELF-CLEANING OVEN SAFETY INSTRUCTIONS

The self-cleaning feature operates the oven at temperatures high enough to burn away food soils in the oven. Follow these instructions for safe operation.

- Do not touch oven surfaces during self-clean operation. Keep children away from the oven during self-cleaning. Failure to follow these instructions may cause burns.
- Before self-cleaning the oven, remove shiny silver colored oven racks (on some models), the probe, any aluminum foil, and any broiler pan, grid, and other cookware. Only porcelain coated oven racks may be left in the oven.
- Before operating the self-clean cycle, wipe grease and food soils from the oven. Excessive amount of grease may ignite, leading to smoke damage to your home.

READ AND SAVE THESE INSTRUCTIONS

IMPORTANT SAFETY INFORMATION

READ ALL INSTRUCTIONS BEFORE USING THE APPLIANCE

▲WARNING SELF-CLEANING OVEN SAFETY INSTRUCTIONS (Cont.)

- If the self-cleaning mode malfunctions, turn the oven off and disconnect the power supply. Have it serviced by a qualified technician.
- Do not clean the door gasket. The door gasket is essential for a good seal. Care should be taken not to rub, damage or move the gasket.
- Do not use a protective coating to line the oven and do not use commercial oven cleaner unless certified for use in a self-cleaning oven.

The remote enable equipment installed on this oven has been tested and found to comply with the limits for a Class B digital device, pursuant to part 15 of the FCC Rules. These limits are designed to:

(a) provide reasonable protection against harmful interference in a residential installation. This equipment generates, uses and can radiate radio frequency energy and, if not installed and used in accordance with the instructions, may cause harmful interference to radio communications. However, there is no guarantee that interference will not occur in a particular installation. If this equipment does cause harmful interference to radio or television reception, which can be determined by turning the equipment off and on, the user is encouraged to try to correct the interference by one or more of the following measures:

- Reorient or relocate the receiving antenna.
- Increase the separation between the equipment and receiver.
- Connect the equipment into an outlet on a circuit different from that to which the receiver is connected.
- Consult the dealer or an experienced radio/TV technician for help.

(b) accept any interference received, including interference that may cause undesired operation of the device.

Note that any changes or modifications to the wireless communication device installed on this oven that are not expressly approved by the manufacturer could void the user's authority to operate the equipment.

PROPER DISPOSAL OF YOUR APPLIANCE

Dispose of or recycle your appliance in accordance with Federal and Local Regulations. Contact your local authorities for the environmentally safe disposal or recycling of your appliance.

How to Remove Protective Shipping Film and Packaging Tape

Carefully grasp a corner of the protective shipping film with your fingers and slowly peel it from the appliance surface. Do not use any sharp items to remove the film. Remove all of the film before using the appliance for the first time.

To assure no damage is done to the finish of the product, the safest way to remove the adhesive from

packaging tape on new appliances is an application of a household liquid dishwashing detergent. Apply with a soft cloth and allow to soak.

NOTE: The adhesive must be removed from all parts. It cannot be removed if it is baked on.

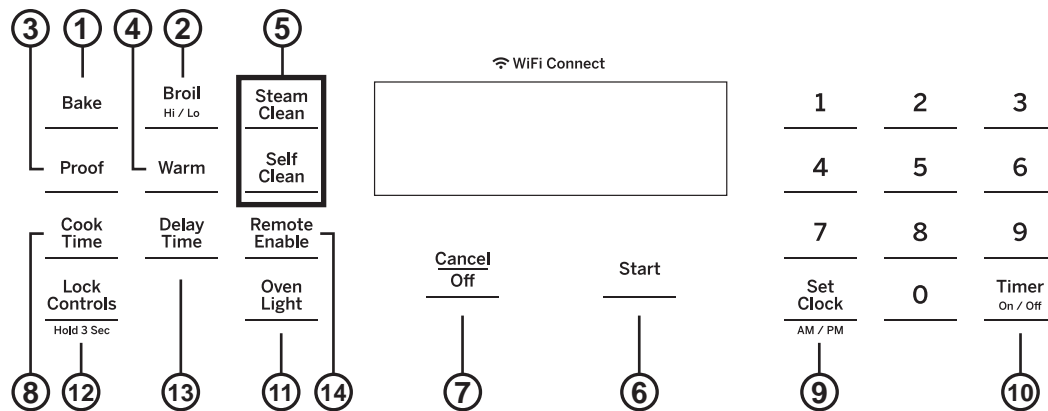
Consider recycling options for your appliance packaging material.

NOTE: Some cooking functions and features are not available until after you WiFi connect your new oven to your local wireless network. Please follow the instructions on the oven control and the WiFi & Remote Enable section of this guide. This provides capability to use SmartHQ app functions and ensures that the oven has the latest software.

READ AND SAVE THESE INSTRUCTIONS

Single Wall Oven Controls

Control button shapes are representative; your oven may have alternate button shapes.



1. **Bake:** Touch this pad to select the bake function. See the Cooking Modes section for more information.
2. **Broil:** Touch this pad to select the broil function. See the Cooking Modes section for more information.
3. **Proof:** Helps yeast bread rise. See the Cooking Modes section for more information.
4. **Warm:** Keeps hot food warm. See the Cooking Modes section for more information.
5. **Clean:** Your oven has two cleaning modes: Self Clean and Steam Clean. See the Cleaning the Oven section for important information about using these modes.
6. **Start:** Must be pressed to start any cooking, cleaning, or timed function.
7. **Cancel/Off:** Cancels ALL oven operations except the clock and timer.
8. **Cook Time:** Counts down cooking time and turns off the oven when the cooking time is complete. Initiate either a bake or warm mode, but don't press **Start**. Press the **Cook Time** pad, use the number pads to program a cooking time in hours and minutes, then press **Start**.
9. **Set Clock:** Sets the oven clock time. Press the **Set Clock** pad and the number pads to program the clock. Press **Set Clock** to toggle between AM and PM. Press **Start** to save the time.
10. **Timer:** Works as a countdown timer. Press the **Timer** pad and the number pads to program the time in hours and minutes. Press the **Start** pad. The control will beep with 1 minute remaining and the display will show seconds until the timer counts down to :00. The oven will continue to operate when the timer countdown is complete. To turn the timer off press the **Timer** pad.
11. **Oven Light(s):** Turns the oven light(s) on or off. Note that opening a door only turns on the light in that oven.
12. **Lock Controls:** Locks out the control so that pressing the pads does not activate the controls. Press and hold the **Lock Controls** pad for three seconds to lock or unlock the control. Locking the controls will cancel active functions other than the timer.

13. **Delay Time:** Delays when the oven will turn on. Use this to set a time when you want the oven to start. Initiate either a bake or self clean mode, but don't press **Start**. Press the **Delay Time** pad and use the number pads to program the time of day for the oven to turn on, then press **Start**. With bake, a cook time may also be programmed if desired. Follow the directions under Cook Time for setting this feature. This can only be used with Bake and Self-Clean.

NOTE: When using the delay time feature, foods that spoil easily—such as milk, eggs, fish, stuffings, poultry and pork—should not be allowed to sit for more than 1 hour before or after cooking. Room temperature promotes the growth of harmful bacteria. Be sure that the oven light is off because heat from the bulb will speed harmful bacteria growth.

14. Remote Enable:

CONNECTING YOUR OVEN

Off - Oven is not connected. Open the app then press and hold **Remote Enable** pad for 5 seconds to begin the connecting process.

Slow flash - Oven is in discovery mode and looking for a network.

Rapid flash - An error occurred during the connecting process.

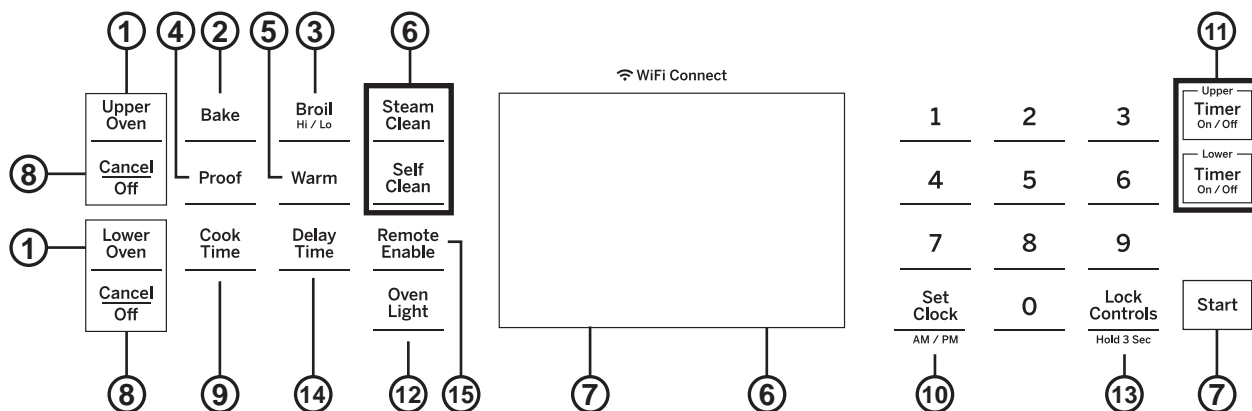
Solid - Oven is connected to the network and can be remotely controlled by a connected mobile device when in operation, but it cannot be started remotely.

REMOTE STARTING YOUR OVEN

To be able to start the oven remotely, press the **Remote Enable** pad and the **REMOTE** icon will turn on in the display. The oven can now be remotely started with a connected device. The **REMOTE** icon must be lit to start the oven remotely. The **REMOTE** icon is not required to change the oven settings or to turn the oven off. After using the oven, remember to verify that the **REMOTE** icon is lit if you wish to start the oven remotely in the future. To disconnect your phone from Remote Enable, press the Remote Enable pad and the Remote icon will turn off.

Double Wall Oven Controls

Control button shapes are representative; your oven may have alternate button shapes.



1. **Upper Oven and Lower Oven:** Designates which oven the controls will operate.
2. **Bake:** Touch this pad to select the bake function. See the Cooking Modes section for more information.
3. **Broil:** Touch this pad to select the broil function. See the Cooking Modes section for more information.
4. **Proof:** Helps yeast bread rise. See the Cooking Modes section for more information. Note that proof cannot be run when running a clean mode in the lower oven.
5. **Warm:** Keeps hot food warm. See the Cooking Modes section for more information.
6. **Clean:** Your oven has two cleaning modes: **Self Clean** and **Steam Clean**. See the Cleaning the Oven section for important information about using these modes. Note that proof cannot be run when running a clean mode in the lower oven.
7. **Start:** Must be pressed to start any cooking, cleaning, or timed function.
8. **Cancel/Off:** Cancels ALL oven operations except the clock and timer.
9. **Cook Time:** Counts down cooking time and turns off the oven when the cooking time is complete. Initiate either a bake or warm mode, but don't press **Start**. Press the **Cook Time** pad, use the number pads to program a cooking time in hours and minutes, then press **Start**.
10. **Set Clock:** Sets the oven clock time. Press the **Set Clock** pad and the number pads to program the clock. Press **Set Clock** to toggle between AM and PM. Press **Start** to save the time.
11. **Timer:** Works as a countdown timer. Press the **Timer** pad and the number pads to program the time in hours and minutes. Press the **Start** pad. The control will beep with 1 minute remaining and the display will show seconds until the timer counts down to :00. The oven will continue to operate when the timer countdown is complete. To turn the timer off press the **Timer** pad.
12. **Oven Light(s):** Turns the oven light(s) on or off in both ovens. Note that opening a door only turns on the light in that oven.

13. **Lock Controls:** Locks out the control so that pressing the pads does not activate the controls. Press and hold the **Lock Controls** pad for three seconds to lock or unlock the control. Locking the controls will cancel active functions other than the timer.

14. **Delay Time:** Delays when the oven will turn on. Use this to set a time when you want the oven to start. Initiate either a bake or self clean mode, but don't press **Start**. Press the **Delay Time** pad and use the number pads to program the time of day for the oven to turn on, then press **Start**. With bake, a cook time may also be programmed if desired. Follow the directions under Cook Time for setting this feature. This can only be used with Bake and Self-Clean.

NOTE: When using the delay time feature, foods that spoil easily—such as milk, eggs, fish, stuffings, poultry and pork—should not be allowed to sit for more than 1 hour before or after cooking. Room temperature promotes the growth of harmful bacteria. Be sure that the oven light is off because heat from the bulb will speed harmful bacteria growth.

15. Remote Enable:

CONNECTING YOUR OVEN

Off - Oven is not connected. Open the app then press and hold **Remote Enable** pad for 5 seconds to begin the connecting process.

Slow flash - Oven is in discovery mode and looking for a network.

Rapid flash - An error occurred during the connecting process.

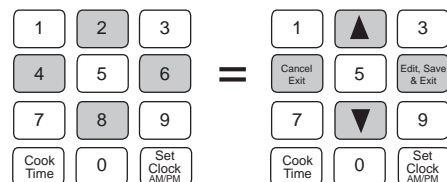
Solid - Oven is connected to the network and can be remotely controlled by a connected mobile device when in operation, but it cannot be started remotely.

REMOTE STARTING YOUR OVEN REMOTE

To be able to start the oven remotely, press the **Remote Enable** pad and the **REMOTE** icon will turn on in the display. The oven can now be remotely started with a connected device. The **REMOTE** icon must be lit to start the oven remotely. The **REMOTE** icon is not required to change the oven settings or to turn the oven off. To disconnect your phone from Remote Enable, press the **Remote Enable** pad and the **REMOTE** icon will turn off. After using the oven, remember to verify that the **REMOTE** icon is lit if you wish to start the oven remotely in the future.

Special Features

There are several different special features on your wall oven. To change the settings of these special features, press the **Bake** and **Broil** pads at the same time and hold for three seconds. "OFFSET" ("OFFSET" on double ovens) will appear in the display. For each of the features below, select and edit the feature you want to change by using the **8** and **2** pads to scroll up and down, the **6** pad to edit (or **Save** and exit), and the **4** pad to return to the prior menu without saving.



Adjust the Oven Temperature (OFFSET)

This feature allows the oven baking temperature to be adjusted up to 35°F hotter or down to 35°F cooler. Use this feature if you believe your oven temperature is too hot or too cold and wish to change it. **For double oven models, the upper and lower ovens are adjusted separately.** Do not use thermometers, such as those found in grocery stores, to check the temperature setting of your oven. These thermometers may vary 20–40 degrees. Navigate to "OFFSET" for single ovens, "OFFSET" for the upper oven or "OFFSET" for the lower oven. Press **6** to edit the offset. "0" or a number between + and - 35 will be displayed. Press **2** to increase, **8** to decrease. -35 to +35 is the available offset range. Press **6** to save and exit. Press **4** to exit without saving.

Sound Volume (SOUND)

This feature allows the oven tone volume to be adjusted. Navigate to "SOUND" and press **6** to view or change the current setting. Scrolling through allows you to hear each volume level.

End of Timer Signals (ENDTONE)

This is the tone that signals the end of a timer. The tone can be continuous "beepbeep" or one repeating beep "beep". A continuous setting will continue to sound a tone until a button on the control is pressed. Navigate to "ENDTONE" and press **6** to view or change the current setting.

Fahrenheit or Celsius Temperature Display (UNIT DISPLAY)

The oven control is set to use Fahrenheit temperatures (F), but you can change it to use Celsius temperatures (C). Navigate to "UNIT DISPLAY" and press **6** to view or change the current setting.

Clock Display (CLOCK DISPLAY)

This feature turns the clock on or off in the display. Navigate to "CLOCK DISPLAY" and press **6** to view or change the current setting.

Clock Configuration (CLOCKCFG)

This feature specifies how the time of day will be displayed or if no time of day will be displayed. You can select a standard 12-hour clock (12H) or 24-hour military time display (24H). Navigate to "CLOCKCFG" and press **6** to view or change the current setting.

12-Hour Shutoff (12HR)

When this feature is turned on, the oven will automatically turn off after 12 continuous hours of use. Navigate to "12HR" and press **6** to view or change the current setting.

Sabbath Mode

Sabbath mode disables the oven lights (the oven light will not turn on when the door is opened), all sounds (the control will not beep when a button is pressed), Broil, Warm, Proof, Cook Time, Timer, Clock, and Delay Time functions. Sabbath mode can only be used with Bake. This feature conforms to Jewish Sabbath requirements.

Setting the Sabbath Mode

1. Press and hold the **Bake** and **Broil** pads for 3 seconds to enter special features.
2. Press the **8** and **2** pads to scroll up and down until "SABBAH" appears in the display. Use the **6** pad to view and edit the current setting, **2** and **8** to change the setting, and **6** again to **Save**, **4** to exit the Special Features and Start Sabbath mode. (Alternately, use the **4** pad to return to the prior menu from the Sabbath menu without saving). A] [will appear in the display and the clock will not display.

Note that if you have a double wall oven, when you place the control into Sabbath mode, both ovens are now in Sabbath mode and available for cooking.

Starting a Continuous Bake

1. Press the **Bake** pad. (For double ovens, this operates the upper oven. If desiring to use Lower Oven, press **Lower Oven** and then **Bake**.)
2. If the desired temperature is 350°F, press **Start/Enter**. If a different cooking temperature is desired, use the **1** through **5** number pads to select a preset cooking temperature, then press **Start/Enter**. Refer to the graphic below to determine which pad sets the desired cooking temperature.

After a delay, a second bracket "] [" will appear in the display indicating that the oven is baking.

Temperature (°F)	1	2	3
	200	250	300
Time (hours)	4	5	6
	325	400	2h
	7	8	9
	2.5h	3h	3.5h
	Cancel	0	Start
	Off		Enter
		Lock Controls Hold 3 Sec	
		4h	

1 = 200° F, 2 = 250° F, 3 = 300° F, 4 = 325° F, 5 = 400° F

6 = 2 hours, 7 = 2.5 hours, 8 = 3 hours, 9 = 3.5 hours, 0 = 4 hours

Adjusting the Temperature

Press **Bake** (or press **Lower Oven** and then **Bake** for lower oven in a double oven unit), use the **1** through **5** number pads to select a different preset cooking temperature, and press **Start/Enter**.

Starting a Timed Bake

1. Press the **Bake** pad.
2. If the desired temperature is 350°F, use the **6** through **0** number pads to select a cooking time. If a cooking temperature other than 350°F is desired, use the **1** through **5** number pads to select a preset cooking temperature, then select the cooking time. Refer to the graphic on this page to determine which pad sets the desired cooking temperature and cooking time.
3. Press **Start/Enter**.

After a delay, a second bracket "] [" will appear in the display indicating that the oven is baking. When the cook time expires, the display will change back to a single bracket "] [" indicating that the oven is no longer baking. No tone will sound when the cook time is complete.

Turning the Oven Off

To turn the oven off, press **Cancel/Off** at any time. **The oven will immediately turn off** and] [will change to] [indicating that the oven has turned off.

NOTE: Each oven of a double wall oven must be turned off separately.

Exit the Sabbath Mode

To exit Sabbath mode, make sure that the oven is turned off. Press and hold the **Bake** and **Broil** pads for 3 seconds to enter special features then press **2** or **8** to scroll to "SABBAH", **6** to edit, **2** or **8** to change setting to **Off**, **6** to save settings, **4** to exit from Special Features menus. The clock will return to the display when Sabbath mode is off.

Sabbath Mode Power Outage Note

If power outage occurs during Sabbath mode the unit will remain in Sabbath mode but off when power is restored.

Oven Racks

Your oven has six rack positions. Recommended rack positions for various types of foods are provided in the Cooking Guide. Adjusting rack position is one way to impact cooking results. For example, if you would prefer darker tops on cakes, muffins, or cookies, try moving food one rack position higher. If you find foods are too brown on top try moving them down next time.

When baking with multiple pans and on multiple racks, ensure there is at least 1½” between pans to allow sufficient space for air to flow.

To avoid possible burns, place the racks in the desired position before you turn the oven on.

Traditional Flat Racks

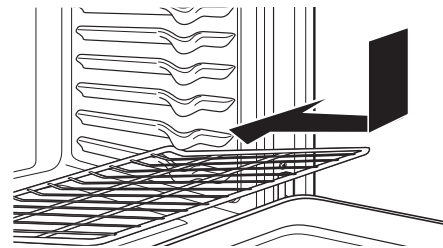
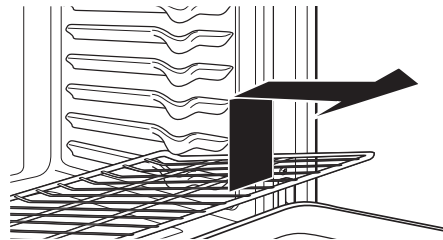
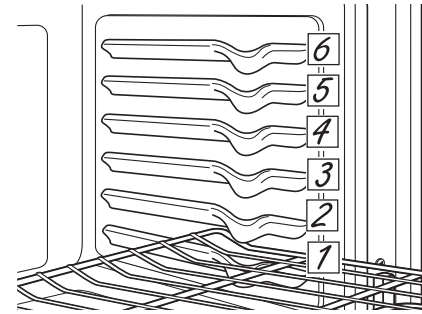
When placing and removing cookware, pull the rack out to the bump (stop position) on the rack support.

To remove a rack, pull it toward you, tilt the front end up and pull it out.

To replace, place the curved end of the rack (stop-locks) onto the oven supports, tilt up the front of the rack and push the rack in.

Racks may become difficult to slide, especially after a self-clean. Put some vegetable oil on a soft cloth or paper towel and rub onto the left and right edges of the racks.

NOTE: Using other cooking oils will cause a discoloring or a rust like color residue on the racks and cavity sides. To clean this residue, use a soap and water or a vinegar and water solution. Rinse with clean water and dry with a soft cloth.



Aluminum Foil and Oven Liners

CAUTION Do not use any type of foil or oven liner to cover the oven bottom. These items can trap heat or melt, resulting in damage to the product and risk of shock, smoke or fire. Damage from improper use of these items is not covered by the product warranty.

Foil may be used to catch spills by placing a sheet on a lower rack, several inches below the food. Do not use more foil than necessary and never entirely cover an oven rack with aluminum foil. Keep foil at least 1-1/2” from oven walls to prevent poor heat circulation.

Cookware

Cookware Guidelines

The material, finish, and size of cookware affect baking performance.

Dark, coated and dull pans absorb heat more readily than light, shiny pans. Pans that absorb heat more readily can result in a browner, crisper, and thicker crust. If using dark and coated cookware check food earlier than minimum cook time. If undesirable results are obtained with this type of cookware consider reducing oven temperature by 25° F next time.

Shiny pans can produce more evenly cooked baked goods such as cakes and cookies.

Glass and ceramic pans heat slowly but retain heat well. These types of pans work well for dishes such as pies and custards.

Air insulated pans heat slowly and can reduce bottom browning.

Keep cookware clean to promote even heating.

Cooking Modes

Your new oven has a variety of cooking modes to help you get the best results. These modes are described below. Refer to the Cooking Guide section for recommendations for specific foods. Remember, your new oven may perform differently than the oven it is replacing.

Bake

The bake mode is for baking and roasting. This mode uses heat primarily from the lower element but also from the upper element to cook food. When preparing baked goods such as cakes, cookies, and pastries always preheat the oven first. Follow recipe recommendations for food placement. If no guidelines are provided center food in the oven. To use this mode press the **Bake** pad, enter a temperature, and then press **Start**.

Proof

Proof mode is designed for rising (fermenting and proofing) bread doughs. Press the **Proof** pad and then press **Start**. Cover dough well to prevent drying out. Bread will rise more rapidly than at room temperature. Note that for double wall ovens, proof can not be run when running a self-clean mode in the other oven.

Warm

Warm mode is designed to keep hot foods hot for up to 3 hours. To use this mode, press the **Warm** pad then press **Start**. Cover foods that need to remain moist and do not cover foods that should be crisp. Preheating is not required. Do not use warm to heat cold food other than crisping crackers, chips or dry cereal. It is also recommended that food not be kept warm for more than 2 hours.

Broiling Modes

Always broil with the door closed. The broil element in this oven is very powerful. Monitor food closely while broiling. Use caution when broiling on upper rack positions as placing food closer to the broil element increases smoking, spattering, and the possibility of fats igniting. For best performance center food below the broil heating element. **Broiling on rack position 6 is not recommended.**

Try broiling foods that you would normally grill. Adjust rack positions to adjust the intensity of the heat to the food. Place foods closer to the broil element when a seared surface and rare interior is desired. Thicker foods and foods that need to be cooked through should be broiled on a rack position farther from the broiler or by using Broil Lo.

Broil Hi

The Broil Hi mode uses intense heat from the upper element to sear foods. Use Broil Hi for thinner cuts of meat and/or foods you prefer less done on the interior. To use this mode press the **Broil** pad once and then press **Start**. It is not necessary to preheat when using this mode.

Broil Lo

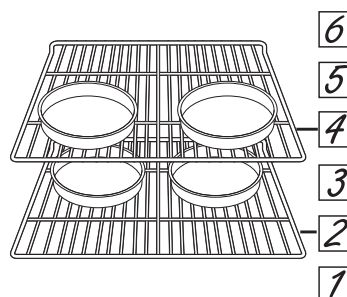
The Broil Lo mode uses less intense heat from the upper element to cook food thoroughly while also producing surface browning. Use Broil Lo for thicker cuts of meat and/or foods that you would like cooked all the way through. To use this mode press the **Broil** pad **twice** and then press **Start**. It is not necessary to preheat when using this mode.

Cooking Guide

FOOD TYPE	RECOMMENDED MODE(S)	RECOMMENDED RACK POSITION(S)	ADDITIONAL SUGGESTIONS
Baked Goods			
Layer cakes, sheet cakes, bundt cakes, muffins, quick breads on a Single Rack	Bake	3	Use shiny cookware.
Layer cakes* on Multiple Racks	Bake	2 and 4	Ensure adequate airflow (see illustration below).
Chiffon cakes (angel food)	Bake	1	Use shiny cookware.
Cookies, biscuits, scones on a Single Rack	Bake	3	Use shiny cookware.
Cookies, biscuits, scones on Multiple Racks	Bake	2 and 4	For foods like sugar cookies, switch food location partially through cooking for more even cooking results between racks. Ensure adequate airflow.
Beef & Pork			
Hamburgers	Broil Hi	5	Use a broil pan; move food down for more doneness/less searing. Watch food closely when broiling. For best performance center food below the broil heating element.
Steaks & Chops	Broil Hi	5	Use a broil pan; move food down for more doneness/less searing. Watch food closely when broiling. For best performance center food below the broil heating element.
Roasts	Bake	2	Leave uncovered, use a low sided pan such as a broil pan. Preheating is not necessary.
Poultry			
Whole chicken	Bake	2	Use a low sided pan such as a broil pan. Preheating is not necessary.
Bone-in chicken breasts, legs, thighs	Broil Lo Bake	3	Broil skin side down first. Watch food closely when broiling. For best performance when broiling, center food below the broil heating element.
Boneless chicken breasts	Broil Lo Bake	3	Move food down for more doneness/less searing and up for greater searing/browning when broiling. For best performance when broiling, center food below the broil heating element.
Whole turkey	Bake	1 or 2	Use a low sided pan such as a broil pan. Preheating is not necessary.
Turkey Breast	Bake	2	Use a low sided pan such as a broil pan. Preheating is not necessary.
Fish	Broil Lo	5 (1/2 thick or less) 4 (>1/2 inch)	Watch food closely when broiling. For best performance center food below the broil heating element.
Casseroles	Bake	3	
Frozen Convenience Foods			
Potato products, chicken nuggets, appetizers on a Single Rack	Bake	3	Use shiny cookware.
Potato products, chicken nuggets, appetizers on Multiple Racks	Bake	2 and 4	Use shiny cookware. Switch food location partially through cooking for more even cooking results.

*When baking four cake layers at a time, use racks 2 and 4. Place the pans as shown so that one pan is not directly above another.

Cook food thoroughly to help protect against food borne illness. Minimum safe food temperature recommendations for food safety can be found at IsItDoneYet.gov. Make sure to use a food thermometer to take food temperatures.



Oven

Be sure electrical power is off and all surfaces are cool before cleaning any part of the oven.

Control Panel

It's a good idea to wipe the control panel after each use. Clean with mild soap and water or vinegar and water, rinse with clean water and polish dry with a soft cloth.

Do not use abrasive cleansers, strong liquid cleansers, plastic scouring pads or oven cleaners on the control panel—they will damage the finish.

Oven Exterior

Do not use oven cleaners, abrasive cleansers, strong liquid cleansers, steel wool, plastic scouring pads, or cleaning powders on the interior or exterior of the oven. Clean with a mild soap and water or vinegar and water solution. Rinse with clean water and dry with a soft cloth. When cleaning surfaces, make sure that they are at room temperature and not in direct sunlight.

If stain on the door vent trim is persistent, use a mild abrasive cleaner and a sponge-scrubber for best results.

Spillage of marinades, fruit juices, tomato sauces and basting liquids containing acids may cause discoloration and should be wiped up immediately. Let hot surfaces cool, then clean and rinse.

Stainless Steel Surfaces (on some models)

Do not use a steel wool pad; it will scratch the surface.

To clean the stainless steel surface, use warm sudsy water or a stainless steel cleaner or polish. Always wipe the surface in the direction of the grain. Follow the cleaner instructions for cleaning the stainless steel surface.

Cleaners with oxalic acid such as Bar Keepers Friend Soft Cleanser™ will remove surface rust, tarnish and small

blemishes. Use only a liquid cleanser free of grit and rub in the direction of the brush lines with a damp, soft sponge.

To inquire about purchasing cleaning products including stainless steel appliance cleaner or polish read the Accessories sections of this manual.

Oven Interior

The interior of your new oven can be cleaned manually or by using the Steam Clean or Self Clean modes.

Spillage of marinades, fruit juices, tomato sauces and basting liquids containing acids may cause discoloration and should be wiped up immediately. Let hot surfaces cool, then clean and rinse.

Manual Cleaning

Do not use oven cleaners (unless certified for self-cleaning oven), abrasive cleaners, strong liquid cleansers, steel wool, scouring pads, or cleaning powders on the interior of the oven. Clean with a mild soap and water or vinegar and water solution. Rinse with clean water and dry with a soft cloth. When cleaning surfaces, make sure that they are at room temperature.

Steam Clean Mode

Steam clean is intended to clean small spills using water and a lower cleaning temperature than Self-Clean.

To use the Steam Clean feature, wipe grease and soils from the oven. Pour one cup of water into the bottom of the oven. Close the door. Press the **Steam Clean** pad and then press **Start**. The oven door will lock. You can not open the door during the 30 minute steam clean as this will decrease the steam clean performance. At the end of the steam clean cycle the door will unlock. Wipe out any excess water and any remaining soil.

NOTE: Water in the bottom of the oven may be hot right after finishing the cycle.

Self Clean Mode

Read Self-Cleaning Oven Safety Instructions at the beginning of this manual before using Self Clean Mode. Self clean uses very high temperatures to clean the oven interior. The oven door will lock when using this feature. Before operating the self-clean cycle, wipe up grease and soils from the oven. Remove all items from the oven other than enameled (dark color) racks. Shiny or silver racks and any cookware or other items should all be removed from the oven before initiating a self-clean cycle. Close the door. Press the **Self Clean** pad and a default self-clean time is displayed. The clean time can be changed to any time between 3:00 and 5:00 hours by using the number pads to enter a different time and pressing **Start**. For heavily soiled ovens, the maximum 5 hour clean time is recommended. If you wish to use the default time, press the **Start** pad immediately after pressing the **Self Clean** pad. The oven will turn off automatically when the self-clean cycle is complete. The door will stay locked until the oven has cooled down. After the oven has cooled down wipe any ash out of the oven.

IMPORTANT: The health of some birds is extremely sensitive to the fumes given off during the self-cleaning cycle of any range. Move birds to another well-ventilated room.

Oven (Cont.)

Flat Racks

Flat racks that are enameled, not shiny, can be left in the cavity during self clean, or can be washed with warm, soapy water.

Racks may be more difficult to slide, especially after a self-clean. Put some vegetable oil on a soft cloth or paper towel and rub onto the left and right edges.

NOTE: Using other cooking oils will cause a discoloring or a rust like color residue on the racks and cavity sides. To clean this residue, use a soap and water or a vinegar and water solution. Rinse with clean water and dry with a soft cloth.

Oven Light

⚠ WARNING SHOCK OR BURN HAZARD: Before replacing oven light bulb, disconnect the electrical power to the oven at the main fuse or circuit breaker panel. Failure to do so may result in electric shock or burn.

⚠ CAUTION BURN HAZARD: The glass cover and bulb should be removed when cool. Touching hot glass with bare hands or a damp cloth can cause burns.

1. Disconnect power at the main fuse or circuit breaker panel.
2. Remove oven racks.
3. Slide a flat blade screwdriver or butter knife between the metal housing and the glass light cover.
NOTE: on some models there is a metal clip visibly holding the glass. The tool needs inserted between the metal housing and the clip holding the glass.
4. Support the glass light cover with two fingers to prevent the cover from falling to the bottom of the oven.
5. Gently twist the screwdriver blade or butter knife to loosen the glass light cover. Be careful not to chip the oven coating.
6. Remove the glass light cover.
7. Remove the bulb by firmly grasping and sliding the bulb straight out until the two prongs have cleared the ceramic holder.
8. Do not touch the glass of the new replacement bulb with your fingers. It will cause the bulb to fail when it lights. Grasp the replacement bulb with a clean towel or facial tissue with the prongs facing down. Align the two prongs in the ceramic holder, pressing gently until the bulb is securely in the ceramic socket.
9. Slide the protective lens into the holder and push until the clips snap into the housing.
10. Reconnect power.

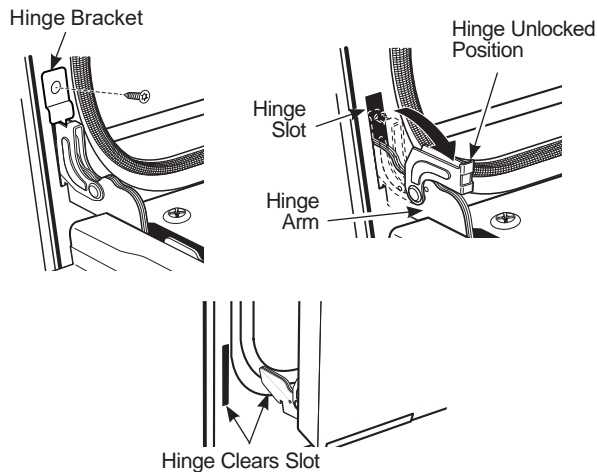
Oven Door

Oven Door Removal

NOTE: Door removal is not a requirement for installation of the product but is an added convenience.

To remove the door:

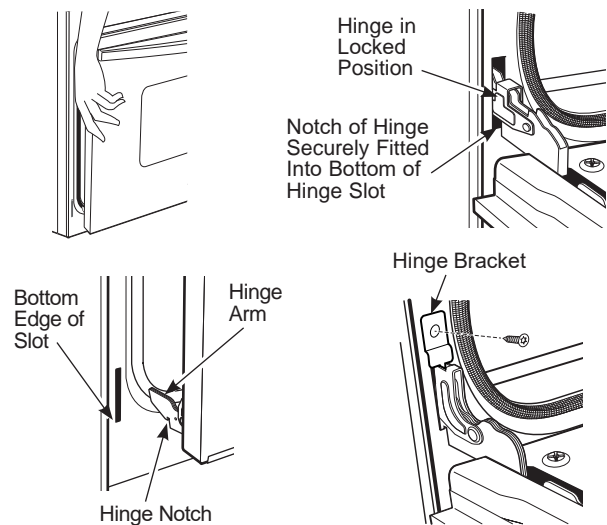
1. Open the oven door as far as it will go.
2. Remove hinge bracket (if present) from front frame and set aside. The hinge bracket must be replaced for proper door functionality when door is reinstalled.
3. Push both hinge locks down toward the door frame to the unlocked position. This may require a flat-blade screwdriver. **DO NOT LIFT THE DOOR BY THE HANDLE!**
4. Place hands on both sides of the door and close the oven door to the removal position (approximately 1"–2" [2.5 cm–5.1 cm] from the closed position).
5. Lift the door up and out until the hinge arms clear the slots. **NOTE:** The oven door is very heavy. Be sure you have a firm grip before lifting the oven door off the hinges. Use caution once the door is removed. Do not lay the door on its handle. This could cause dents or scratches.



Replacing the Oven Door

NOTE: The oven door is heavy. You may need help lifting the door high enough to slide it into the hinge slots. Do not lift the door by the handle.

1. Lift the oven door by grasping each side.
2. With the door at the same angle as the removal position (approximately 1"–2" [2.5 cm–5.1 cm] from the closed position), seat the notch of the hinge arm into the bottom edge of the hinge slot. The notch of the hinge arm must be fully seated into the bottom of the slot.
3. Fully open the door. If the door will not fully open, the indentation is not seated correctly in the bottom edge of the slot.
4. Push the hinge locks up against the front frame of the oven cavity, to the locked position.
5. Replace hinge bracket (if present). The hinge bracket must be replaced for proper door functionality.
6. Close the oven door.






Troubleshooting tips ... Before you call for service

Save time and money! Review the charts on the following pages or visit GEAppliances.com/ge/service-and-support/cookingproducts.htm for helpful articles and support videos before you call for service.

Problem	Possible Cause	What To Do
My new oven doesn't cook like my old one. Is something wrong with the temperature settings?	Your new oven has a different cooking system from your old oven and therefore may cook differently than your old oven.	For the first few uses, follow your recipe times and temperatures carefully. If you still think your new oven is too hot or too cold, you can adjust the temperature yourself to meet your specific cooking preference.
Food does not bake properly	Oven controls improperly set.	See the Cooking Modes section.
	Rack position is incorrect or rack is not level.	See the Cooking Modes section and Cooking Guide.
	Incorrect cookware or cookware of improper size being used.	See the Cookware section.
	Oven temperature needs adjustment.	See the Special Features section.
	Ingredient substitution	Substituting ingredients can change the recipe outcome.
Food does not broil properly	Oven controls improperly set.	Make sure you select the appropriate broil mode.
	Improper rack position being used.	See Cooking Guide for rack location suggestions.
	Food being cooked in a hot pan.	Make sure cookware is cool.
	Cookware not suited for broiling.	Use a pan specifically designed for broiling.
	Aluminum foil used on the broiling pan and grid has not been fitted properly and slit as recommended.	If using aluminum foil conform to pan slits.
	In some areas the power (voltage) may be low.	Preheat the broil element for 10 minutes.
Oven temperature too hot or too cold	Oven temperature needs adjustment.	See the Special Features section.
Oven does not work or appears not to work	A fuse in your home may be blown or the circuit breaker tripped.	Replace the fuse or reset the circuit breaker.
	Oven controls improperly set.	See the Using the Oven section.
	Oven is in Sabbath Mode.	Verify, that the oven is not in Sabbath Mode. See the Special Features section.
"Crackling" or "popping" sound	This is the sound of the metal heating and cooling during both the cooking and cleaning functions.	This is normal.
Why is my range making a "clicking" noise when using my oven?	Your range has been designed to maintain a tighter control over your oven's temperature. You may hear your oven's heating elements "click" on and off more frequently than in older ovens to achieve better results during baking, broiling, and self-clean cycles.	This is normal.
Clock and timer do not work	A fuse in your home may be blown or the circuit breaker tripped.	Replace the fuse or reset the circuit breaker.
Sometimes the oven takes longer to preheat to the same temperature	Cookware or food in oven	The cookware or food in the oven will cause the oven to take longer to preheat. Remove items to reduce preheat time.
	Number of racks in oven	Adding more racks to the oven will cause the oven to take longer to preheat. Remove some racks.

Troubleshooting tips ... Before you call for service

Problem	Possible Cause	What To Do
Oven light does not work	Light bulb is loose or defective.	Tighten or replace bulb.
	Pad operating light is broken.	Call for service.
Oven will not self-clean	The temperature is too high to set a self-clean operation.	Allow the oven to cool and reset the controls.
	Oven controls improperly set.	See the Cleaning the Oven section.
Excessive smoking during clean cycle	Excessive soil or grease..	Press the Cancel/Off pad. Open the windows to rid the room of smoke. Wait until the  goes off. Wipe up the excess soil and reset the clean cycle.
Excessive smoking during broiling	Food too close to burner element.	Lower the rack position of the food.
Oven door will not open after a clean cycle	Oven too hot.	Allow the oven to cool below locking temperature.
Oven not clean after a clean cycle	Oven controls improperly set.	See the Cleaning the Oven section.
	Oven was heavily soiled.	Clean up heavy spillovers before starting the clean cycle. Heavily soiled ovens may need to self-clean again or for a longer period of time.
 flashes in the display	The self-clean cycle has been selected but the door is not closed.	Close the oven door.
 is on when you want to cook	The oven door is locked because the temperature inside the oven has not dropped below the locking temperature.	Press the Cancel/Off pad. Allow the oven to cool.
“F— and a number or letter” flash in the display	You have a function error code.	Press the Cancel/Off pad. Allow the oven to cool for one hour. Put the oven back into operation.
	If the function code repeats.	Disconnect all power to the oven for at least 30 seconds and then reconnect power. If the function error code repeats, call for service.
Display goes blank	A fuse in your home may be blown or the circuit breaker tripped.	Replace the fuse or reset the circuit breaker.
	The clock is turned off.	See the Special features section.
	Oven is in Sabbath Mode.	Verify that the oven is not in Sabbath Mode. See the Special Features section.
Power outage, clock flashes	Power outage or surge	Reset the clock. If the oven was in use, you must reset it by pressing the Cancel/Off pad, setting the clock and resetting any cooking function.
“Burning” or “oily” odor emitting from the vent	This is normal in a new oven and will disappear in time.	To speed the process, set a self-clean cycle for a minimum of 3 hours. See the Cleaning the Oven section. This is temporary.
Strong odor	An odor from the insulation around the inside of the oven is normal for the first few times the oven is used.	This is temporary and will go away after several uses or a self-clean cycle.
Fan noise	A cooling fan may automatically turn on.	This is normal. The cooling fan will turn on to cool internal parts. It may run for up to 1-1/2 hours after the oven is turned off.
My oven door glass appears to be “tinted” or have a “rainbow” color. Is this defective?	No. The inner oven glass is coated with a heat barrier to reflect the heat back into the oven to prevent heat loss and keep the outer door cool while baking.	This is normal. Under certain light or angles, you may see this tint or rainbow color.
Oven will not work remotely	Router issues, no wireless signal, etc.	For assistance with oven wireless network connectivity, please call 800.220.6899.
	Oven is not connected.	

GE Appliances Electric Oven Limited Warranty

GEAppliances.com

All warranty service is provided by our Factory Service Centers, or an authorized Customer Care® technician. To schedule service online, visit us at GEAppliances.com/service_and_support/, or call GE Appliances at 800.GE.CARES (800.432.2737). Please have your serial number and your model number available when calling for service.

Servicing your appliance may require the use of the onboard data port for diagnostics. This gives a GE Appliances factory service technician the ability to quickly diagnose any issues with your appliance and helps GE Appliances improve its products by providing GE Appliances with information on your appliance. If you do not want your appliance data to be sent to GE Appliances, please advise your technician not to submit the data to GE Appliances at the time of service.

For the period of	GE Appliances will replace
One year From the date of the original purchase	Any part of the oven which fails due to a defect in materials or workmanship. During this limited one-year warranty , GE Appliances will provide, free of charge , all labor and in-home service to replace the defective part.

What GE Appliances will not cover:

- Service trips to your home to teach you how to use the product.
- Improper installation, delivery or maintenance.
- Failure of the product if it is abused, misused, modified or used for other than the intended purpose or used commercially.
- Replacement of house fuses or resetting of circuit breakers.
- Damage to the product caused by accident, fire, floods or acts of God.
- Damage to finish, such as surface rust, tarnish, or small blemishes not reported within 48 hours of delivery.
- Incidental or consequential damage caused by possible defects with this appliance.
- Damage caused after delivery.
- Product not accessible to provide required service.
- Service to repair or replace light bulbs, except for LED lamps.

EXCLUSION OF IMPLIED WARRANTIES

Your sole and exclusive remedy is product repair as provided in this Limited Warranty. Any implied warranties, including the implied warranties of merchantability or fitness for a particular purpose, are limited to one year or the shortest period allowed by law.

Staple your receipt here. Proof of the original purchase date is needed to obtain service under the warranty.

This limited warranty is extended to the original purchaser and any succeeding owner for products purchased for home use within the USA. If the product is located in an area where service by a GE Appliances Authorized Servicer is not available, you may be responsible for a trip charge or you may be required to bring the product to an Authorized GE Appliances Service location for service. In Alaska, the limited warranty excludes the cost of shipping or service calls to your home.

Some states do not allow the exclusion or limitation of incidental or consequential damages. This limited warranty gives you specific legal rights, and you may also have other rights which vary from state to state. To know what your legal rights are, consult your local or state consumer affairs office or your state's Attorney General.

Warrantor: GE Appliances, a Haier company

Louisville, KY 40225

Extended Warranties: Purchase a GE Appliances extended warranty and learn about special discounts that are available while your warranty is still in effect. You can purchase it online anytime at

GEAppliances.com/extended-warranty

or call 800.626.2224 during normal business hours. GE Appliances Service will still be there after your warranty expires.

Accessories

Looking For Something More?

GE Appliances offers a variety of accessories to improve your cooking and maintenance experiences!

Refer to the Consumer Support page for phone numbers and website information.

The following products and more are available:

Accessories

Small Broiler Pan (8 ¾" x 1 ¼" x 13 ½")

Large* Broiler Pan (12 ¾" x 1 ¼" x 16 ½")

XL** Broiler Pan (17" x 1 ¼" x 19 1/4")

Parts

Oven racks

27" Never Scrub Glide Rack

30" Never Scrub Glide Rack

Oven elements

Light bulbs

Cleaning Supplies

CitruShine™ Stainless Steel Wipes

CeramaBryte Stainless Steel Appliance Cleaner

Graphite Lubricant***

*The large broiler pan does not fit in 20"/24" ranges.

**The XL broiler pan does not fit in 24" wall ovens, 27" drop ins or 20"/24" ranges.

***For use with Never Scrub glide racks.

Consumer Support

GE Appliances Website

Have a question or need assistance with your appliance? Try the GE Appliances Website 24 hours a day, any day of the year! You can also shop for more great GE Appliances products and take advantage of all our on-line support services designed for your convenience. In the US: GEAppliances.com

Register Your Appliance

Register your new appliance on-line at your convenience! Timely product registration will allow for enhanced communication and prompt service under the terms of your warranty, should the need arise. You may also mail in the pre-printed registration card included in the packing material. In the US: GEAppliances.com/register

Schedule Service

Expert GE Appliances repair service is only one step away from your door. Get on-line and schedule your service at your convenience any day of the year. In the US: GEAppliances.com/service or call 800.432.2737 during normal business hours.

Extended Warranties

Purchase a GE Appliances extended warranty and learn about special discounts that are available while your warranty is still in effect. You can purchase it on-line anytime. GE Appliances Services will still be there after your warranty expires. In the US: GEAppliances.com/extended-warranty or call 800.626.2224 during normal business hours.

Remote Connectivity

For assistance with wireless network connectivity (for models with remote enable), visit our website at GEAppliances.com/connect or call 800.220.6899 in the US.

Parts and Accessories

Individuals qualified to service their own appliances can have parts or accessories sent directly to their homes (VISA, MasterCard and Discover cards are accepted). Order on-line today 24 hours every day. In the US: GEApplianceparts.com or by phone at 877.959.8688 during normal business hours.

Instructions contained in this manual cover procedures to be performed by any user. Other servicing generally should be referred to qualified service personnel. Caution must be exercised, since improper servicing may cause unsafe operation.

Contact Us

If you are not satisfied with the service you receive from GE Appliances, contact us on our Website with all the details including your phone number, or write to:

In the US: General Manager, Customer Relations | GE Appliances, Appliance Park | Louisville, KY 40225
GEAppliances.com/contact



HORNO DE PARED

Eléctrico Incorporado

INFORMACIÓN DE SEGURIDAD ... 3

USO DEL HORNO

Controles del Horno de Pared Simple 6

Controles del Horno de Pared Doble 7

Funciones especiales..... 8

Modo Sabático 9

Estantes del Horno.....10

Papel de Aluminio y Cobertores del Horno...10

Utensilios10

Modos de Cocción 11

Guía de Cocción.....12

CUIDADO Y LIMPIEZA

Horno13

Luz del Horno14

Puerta del Horno15

CONSEJOS PARA LA SOLUCIÓN DE PROBLEMAS16

GARANTÍA LIMITADA.....18

ACCESORIOS19

SOPORTE PARA EL CONSUMIDOR 20

MANUAL DEL PROPIETARIO

- Horno de Pared Simple JKS3000 de 27"
- Horno de Pared Simple JTS3000 de 30"
- Horno de Pared Doble JKD3000 de 27"
- Horno de Pared Doble JTD3000 de 30"

Escriba los números de modelo y serie aquí:

Nº de Modelo _____

Nº de Serie _____

Los podrá encontrar en una etiqueta en el borde lateral o en el frente del horno (inferior) detrás de la puerta del horno.

GRACIAS POR HACER QUE GE APPLIANCES SEA PARTE DE SU HOGAR.

Ya sea que haya crecido usando GE Appliances, o que ésta es su primera vez, nos complace tenerlo en la familia.

Sentimos orgullo por el nivel de arte, innovación y diseño de cada uno de los electrodomésticos de GE Appliances, y creemos que usted también. Entre otras cosas, el registro de su electrodoméstico asegura que podamos entregarle información importante del producto y detalles de la garantía cuando los necesite.

Registre su electrodoméstico GE ahora a través de Internet. Sitios Web y números telefónicos útiles están disponibles en la sección de Soporte para el Consumidor de este Manual del Propietario.

También puede enviar una carta en la tarjeta de inscripción preimpresa que se incluye con el material embalado.



GE APPLIANCES

INFORMACIÓN IMPORTANTE DE SEGURIDAD

LEA TODAS LAS INSTRUCCIONES ANTES DE USAR ESTE ELECTRODOMÉSTICO

⚠ADVERTENCIA Lea todas las instrucciones de seguridad antes de utilizar este producto. No seguir estas instrucciones puede generar un incendio, una descarga eléctrica, lesiones corporales o la muerte.

⚠ADVERTENCIA INSTRUCCIONES GENERALES DE SEGURIDAD

- Use este electrodoméstico sólo para su propósito original, como se describe en el Manual del Propietario.
- Solicite que un instalador calificado instale su electrodoméstico y que esté adecuadamente conectado a tierra, de acuerdo con las instrucciones de instalación provistas.
- No intente reparar o reemplazar ninguna parte del horno, a menos que se recomiende específicamente en este manual. Cualquier otra reparación deberá ser realizada por un técnico calificado.
- Antes de realizar cualquier servicio técnico, desconecte el suministro de corriente desde el panel de distribución del hogar, retirando el fusible o desconectando el disyuntor.
- No deje a los niños solos – no se deberá dejar a los niños solos o fuera de su radio de atención en el área donde el electrodoméstico se encuentre en uso. Nunca se les deberá permitir trepar, sentarse o pararse sobre ninguna parte del electrodoméstico.
- **⚠PRECAUCIÓN** No coloque artículos de interés para los niños sobre los gabinetes que están sobre un horno – si los niños se trepan sobre el horno para llegar a estos artículos podrían sufrir lesiones graves.
- Use sólo mangos de ollas secas – los mangos húmedos sobre superficies calientes pueden producir quemaduras debido al vapor. No deje que los mangos de las ollas toquen los elementos que están calientes. No use una toalla u otra tela voluminosa para reemplazar el mango de las cacerolas.
- Nunca use el electrodoméstico para calentar o calefaccionar la habitación.
- No toque el elemento calentador ni la superficie interior del horno. Es posible que estas superficies estén demasiado calientes como para quemar, aunque su color sea oscuro. Durante y después del uso, no toque ni permita que telas u otros materiales inflamables toquen cualquier área interior del horno; espere a que haya pasado un tiempo suficiente para que se enfríen. Otras superficies del electrodoméstico se podrán calentar lo suficiente como para ocasionar lesiones. Las superficies potencialmente calientes incluyen la abertura de la ventilación del horno, superficies cercanas a la abertura y grietas alrededor de la puerta del horno.
- No caliente envases de comida que no hayan sido abiertos. Se podría acumular presión y el envase podría explotar, ocasionando una lesión.
- No use ningún tipo de aluminio o cobertor para cubrir el fondo del horno o cualquier parte del horno, excepto como se describe en este manual. Los cobertores de horno pueden atrapar el calor o derretirse, ocasionando daños sobre el producto y el riesgo de descargas, humo o incendios.
- Evite las ralladuras o impactos sobre las puertas de vidrio o los paneles de control. Hacer esto podrá producir la rotura de vidrios. No cocine un producto con un vidrio roto. Es posible que se produzcan descargas, incendios o cortes.
- Cocine carnes y carnes de ave en forma completa – la carne por lo menos a una temperatura interna de 160° F y la carne de ave por lo menos a una temperatura interna de 180° F. Normalmente la cocción a estas temperaturas es una protección contra las enfermedades transmitidas por la comida.

⚠ADVERTENCIA MANTENGA LOS MATERIALES INFLAMABLES ALEJADOS DE LA COCINA Si esto no se cumple, se podrán sufrir lesiones personales graves o incendios.

- No guarde ni use materiales inflamables en o cerca de un horno, incluyendo papel, plástico, mangos de ollas, trapos, cobertores de pared, cortinas, paños y gasolina u otros vapores y líquidos inflamables.
- Nunca use prendas holgadas o que cuelguen mientras usa el electrodoméstico. Estas prendas se podrán incendiar si entran en contacto con superficies calientes, ocasionando quemaduras graves.
- No permita que la grasa de la cocción u otros materiales inflamables se acumulen en o cerca del horno. La grasa que está en o cerca del horno se podrá incendiar.
- **Funcionamiento Remoto** - Este electrodoméstico permite su configuración para un funcionamiento remoto en cualquier momento. No guarde materiales inflamables ni ítems sensibles a la temperatura dentro de este electrodoméstico.

LEA Y GUARDE ESTAS INSTRUCCIONES

INFORMACIÓN IMPORTANTE DE SEGURIDAD

LEA TODAS LAS INSTRUCCIONES ANTES DE USAR ESTE ELECTRODOMÉSTICO

▲ADVERTENCIA EN CASO DE INCENDIO, SIGA LOS SIGUIENTES PASOS PARA EVITAR LESIONES O LA PROPAGACIÓN DEL FUEGO

- No use agua sobre el fuego de la grasa. Nunca tome una olla que se esté incendiando.
- Si hay un incendio en el horno durante el horneado, ahogue el fuego cerrando la puerta del horno y apagando el mismo o usando un químico seco multipropósito o un extintor de incendio con espuma.
- En caso de que haya fuego en el horno durante el ciclo de limpieza automática, apague el horno y espere a que el fuego se extinga. No fuerce la puerta para abrirla. La entrada de aire fresco sobre las temperaturas de la limpieza automática podrá conducir a la producción de llamas en el horno. Si no se siguen estas instrucciones, se podrán producir quemaduras graves.

▲ADVERTENCIA INSTRUCCIONES DE SEGURIDAD DEL HORNO

- Manténgase alejado del horno al abrir la puerta del mismo. El aire caliente o el vapor que sale puede causar quemaduras en las manos, rostro y/u ojos.
- Mantenga desobstruida la ventilación del horno.
- Mantenga el horno libre de acumulación de grasa. La grasa del horno se puede incendiar.
- Coloque los estantes del horno en la ubicación deseada mientras éste se encuentra frío. Si es necesario mover el estante mientras el horno está caliente, evite que el mango de la olla tenga contacto con el elemento calentador en el horno.
- Al usar las bolsas para cocinar o dorar en el horno, siga las instrucciones del fabricante.
- Es conveniente empujar hacia afuera los estantes estándares hasta el tope o empujar el estante extensible hasta la posición completamente abierta para levantar comidas pesadas. Esto también es una precaución contra quemaduras por tocar superficies calientes de la puerta o las paredes del horno.
- No deje productos tales como papel, utensilios de cocina ni comida en el horno cuando éste no se encuentre en uso. Los artículos guardados en el horno se pueden incendiar.
- Nunca coloque los utensilios de cocina, piedras para pizza u horneado o cualquier otro tipo de aluminio o cobertor en la base del horno. Estos ítems pueden atrapar el calor o derretirse, ocasionando daños sobre el producto y el riesgo de descargas, humo o incendios.

▲ADVERTENCIA INSTRUCCIONES DE SEGURIDAD DEL HORNO CON LIMPIEZA AUTOMÁTICA

La función de limpieza automática usa el horno en temperaturas lo suficientemente altas como para consumir la suciedad de comida que haya dentro del horno. Para un funcionamiento seguro, siga estas instrucciones.

- No toque las superficies del horno durante el ciclo de limpieza automática. Mantenga a los niños alejados del horno durante la limpieza automática. Si no se siguen estas instrucciones, se podrán producir quemaduras.
- Antes de usar el ciclo de limpieza automática del horno, retire los estantes de color gris brillante (en algunos modelos), la sonda, cualquier papel de aluminio, y cualquier bandeja para asar, rejilla, u otros utensilios. Sólo se pueden dejar dentro del horno los estantes para horno cubiertos de porcelana.
- Antes de utilizar el ciclo de limpieza automática, limpie la grasa y restos de comida que haya en el horno. Una cantidad excesiva de grasa se puede incendiar, lo cual puede producir daños con humo en su hogar.

LEA Y GUARDE ESTAS INSTRUCCIONES

INFORMACIÓN IMPORTANTE DE SEGURIDAD

LEA TODAS LAS INSTRUCCIONES ANTES DE USAR ESTE ELECTRODOMÉSTICO

▲ ADVERTENCIA INSTRUCCIONES DE SEGURIDAD DEL HORNO CON LIMPIEZA AUTOMÁTICA (Cont.)

- Si el modo de limpieza automática funciona de forma incorrecta, apague el horno y desconecte el suministro de corriente. Solicite el servicio de un técnico calificado.
- No limpie la junta de la puerta. La junta de la puerta es esencial para un buen sellado. Se debe tener cuidado de no frotar, dañar ni mover la junta.
- No use limpiadores para horno. No se deberá usar limpiadores comerciales para horno ni revestimientos de protección para hornos de ningún tipo en o alrededor de cualquier parte del horno.

El equipo de acceso remoto instalado en este horno fue probado y cumple con los límites establecidos para un dispositivo digital de clase B, según la parte 15 de la Normativa de la FCC. Estos límites fueron diseñados para:

(a) brindar una protección razonable contra interferencias nocivas en una instalación residencial. Este equipo genera, usa y puede emitir energía de radiofrecuencia y, si no se instala y utiliza de acuerdo con las instrucciones, puede ocasionar interferencias perjudiciales en las comunicaciones de radio. Sin embargo, no se garantiza que no se presenten interferencias en una instalación en particular. Si el equipo provoca interferencias perjudiciales para la recepción de radio o televisión, lo cual puede comprobar encendiendo y apagando el equipo, se aconseja al usuario que intente corregir la interferencia con una de las siguientes medidas:

- Reoriente o reubique la antena receptora.
- Aumente la separación entre el equipo y el receptor.
- Conecte el equipo a un tomacorriente de un circuito diferente del tomacorriente al que se encuentra conectado el receptor.
- Para solicitar ayuda, consulte con el proveedor minorista o a un técnico experimentado de radio/ TV.

(b) tolerar cualquier interferencia recibida, incluyendo las interferencias que puedan provocar un funcionamiento no deseado del dispositivo.

Observe que todos los cambios o modificaciones sobre el dispositivo de comunicación inalámbrico instalado en este horno que no estén expresamente aprobados por el fabricante podrían anular la autoridad del usuario para operar el equipamiento.

FORMA ADECUADA DE DESCARTAR SU ELECTRODOMÉSTICO

Descarte o recicle su electrodoméstico de acuerdo con las Regulaciones Federales y Locales. Comuníquese con las autoridades locales para descartar o reciclar su electrodoméstico de forma ambientalmente segura.

Cómo Retirar la Película Protectora de Envío y la Cinta de Embalaje

Con cuidado tome un extremo de la película protectora de envío con los dedos y lentamente retire la misma de la superficie del electrodoméstico. No utilice ningún producto filoso para retirar la película. Retire toda la película antes de usar el electrodoméstico por primera vez.

Para asegurar que no haya daños sobre el acabado del producto, la forma más segura de retirar el adhesivo de la cinta

de embalaje en electrodomésticos nuevos es aplicando un detergente líquido hogareño para lavar platos. Aplique con una tela suave y deje que se seque.

NOTA: El adhesivo deberá ser eliminado de todas las partes. No se puede retirar si se hornea con éste dentro.

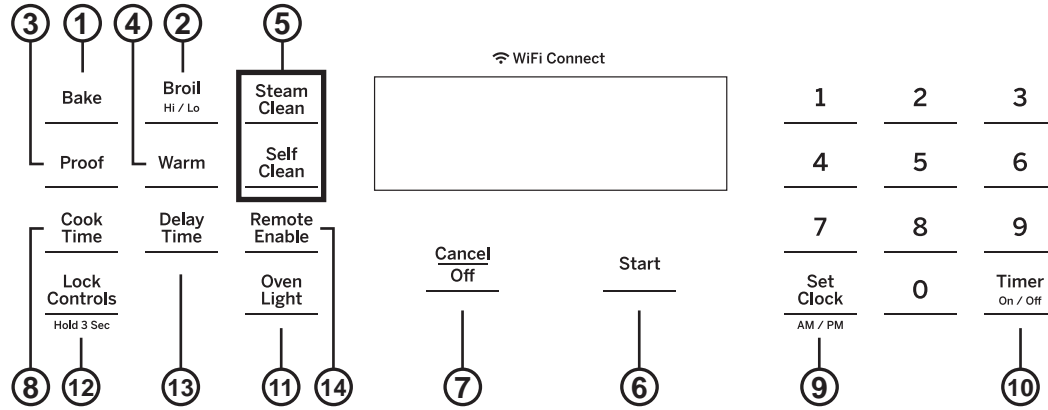
Tenga en cuenta las opciones de reciclaje del material de embalaje de su electrodoméstico.

NOTA: Algunos funciones y características de cocción no estarán disponibles hasta que conecte su horno nuevo al WiFi de su red hogareña local inalámbrica. Por favor siga las instrucciones del control del horno y la sección de WiFi y Remote Enable (Acceso Remoto) de esta guía. Esto brindará capacidad para el uso de las funciones de la aplicación SmartHQ y asegurará que el horno cuenta con el software más reciente.

LEA Y GUARDE ESTAS INSTRUCCIONES

Controles del Horno de Pared Simple

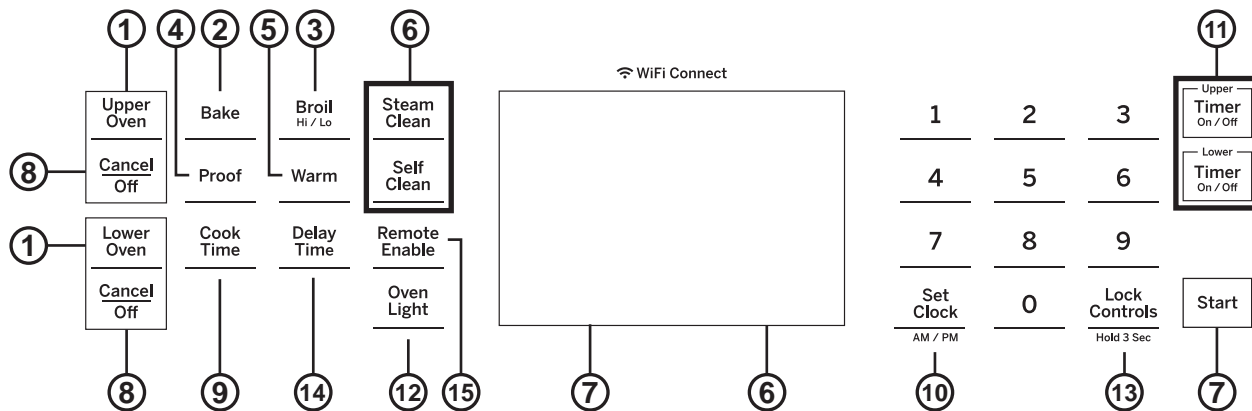
Las formas del botón de control son representativas; su horno puede contar con formas de botones alternativos.



1. **Bake (Hornear):** Presione esta tecla para seleccionar la función para hornear. Para más información, consulte la sección de Modos de Cocción.
2. **Broil (Asar):** Presione esta tecla para seleccionar la función asar. Para más información, consulte la sección de Modos de Cocción.
3. **Proof (Leudar):** Ayuda a elevar el pan con levadura. Para más información, consulte la sección de Modos de Cocción.
4. **Warm (Calentar):** Mantiene la comida caliente. Para más información, consulte la sección de Modos de Cocción.
5. **Clean (Limpieza):** El horno cuenta con dos modos de limpieza: Self Clean (Limpieza Automática) y Steam Clean (Limpieza con Vapor). Para acceder a información importante sobre el uso de estos modos, consulte la sección de Limpieza del Horno.
6. **Start (Iniciar):** Se deberá presionar para comenzar cualquier función de cocción, limpieza o por tiempo.
7. **Cancel/Off (Cancelar/ Apagar):** Cancelar TODAS las operaciones del horno excepto el reloj y el temporizador.
8. **Cook Time (Tiempo de Cocción):** Cuenta el tiempo de cocción y apaga el horno cuando el tiempo de cocción está completo. Inicie el modo para hornear o calentar, pero no presione **Start (Iniciar)**. Presione la tecla **Cook Time (Tiempo de Cocción)**, use las teclas numéricas para programar un tiempo de cocción en horas y minutos, y luego presione **Start (Iniciar)**.
9. **Set Clock (Configurar Reloj):** Configure la hora del reloj del horno: Presione la tecla **Set Clock (Configurar Reloj)** y las teclas numéricas para programar el reloj. Presione **Set Clock (Configurar Reloj)** para pasar de AM a PM. Presione **Start (Iniciar)** para guardar la configuración de la hora.
10. **Timer (Temporizador):** Funciona como un temporizador con cuenta regresiva: Presione la tecla **Timer (Temporizador)** y las teclas numéricas para programar el tiempo en horas y minutos. Presione la tecla **Start (Iniciar)**. El control emitirá un pitido cuando falte 1 minuto y la pantalla mostrará los segundos hasta que el temporizador alcance :00 luego de la cuenta regresiva. El horno continuará funcionando cuando la cuenta regresiva del temporizador se haya completado. Para apagar el temporizador, presione la tecla **Timer (Temporizador)**.
11. **Oven Light(s) (Luz(es) del Horno):** Enciende o apaga la luz(es) del horno. Observe que abrir una puerta sólo enciende la luz de ese horno.
12. **Lock Controls (Controles de Bloqueo):** Bloquean el control de modo que al presionar las teclas no se activen los controles. Mantenga presionada la tecla **Lock Controls (Controles de Bloqueo)** durante tres segundos para bloquear o desbloquear el control. La función **Cancel/Off (Cancelar/ Apagar)** siempre está activa, incluso cuando el control está bloqueado. Bloquear los controles cancelará funciones activas pero no el temporizador.
13. **Delay Time (Tiempo de Retraso):** Genera un retraso cuando el horno es encendido. Use esta tecla para configurar el momento en que desea que el horno se inicie. Inicie el modo para hornear o de limpieza automática, pero no presione **Start (Iniciar)**. Presione la tecla **Delay Time (Tiempo de Retraso)** y use las teclas numéricas para programar la hora del día en que desea que el horno se encienda, y luego presione **Start (Iniciar)**. Si lo desea, con la función para hornear también se podrá programar un tiempo de cocción. Siga las instrucciones de Cook Time (Tiempo de Cocción) para configurar esta función. Sólo se puede usar con los modos Bake (Hornear) y Self-Clean (Auto Limpieza).
NOTA: Al usar la función de tiempo de retraso, las comidas que se echan a perder rápidamente, tales como leche, huevos, pescado, rellenos, ave y cerdo, no se deberán dejar reposar por más de 1 hora antes y después de la cocción. La temperatura ambiente estimula el desarrollo de bacterias nocivas. Asegúrese de que la luz del horno esté apagada, ya que el calor de la lámpara acelerará el crecimiento de bacterias nocivas.
14. **Remote Enable (Acceso Remoto):**
CÓMO CONECTAR EL HORNO
Off (Apagado) - El horno no está conectado. Abra la aplicación y luego mantenga presionada la tecla **Remote Enable (Acceso Remoto)** durante 5 segundos para iniciar el proceso de conexión.
Slow flash (parpadeo lento) - El horno está en modo de búsqueda y está buscando una red.
Rapid flash (parpadeo rápido) - Se produjo un error durante el proceso de conexión.
Solid (Sólido) - El horno está conectado a la red y puede ser controlado en forma remota a través de un dispositivo móvil conectado cuando está en funcionamiento, pero no puede ser iniciado en forma remota.
INICIO DEL HORNO EN FORMA REMOTA **REMOTE (Remoto)**
Para poder iniciar el horno en forma remota, presione la tecla **Remote Enable (Acceso Remoto)** y el ícono **REMOTE (Remoto)** se encenderá en la pantalla. El horno puede ser iniciado ahora en forma remota con un dispositivo conectado. El ícono **REMOTE (Remoto)** debe estar iluminado para iniciar el horno de forma remota. No se requiere el ícono **REMOTE (Remoto)** para cambiar las configuraciones del horno o para apagar el mismo. Luego de usar el horno, recuerde verificar que el ícono **REMOTE (Remoto)** esté iluminado, si desea iniciar el horno de forma remota en el futuro.

Controles del Horno de Pared Doble

Las formas del botón de control son representativas; su horno puede contar con formas de botones alternativos.



1. Upper Oven and Lower Oven (Horno Superior y Horno Inferior):

Designa qué horno operarán los controles.

- Bake (Hornear):** Presione esta tecla para seleccionar la función para hornear. Para más información, consulte la sección de Modos de Cocción.
- Broil (Asar):** Presione esta tecla para seleccionar la función asar. Para más información, consulte la sección de Modos de Cocción.
- Proof (Leudar):** Ayuda a elevar el pan con levadura. Para más información, consulte la sección de Modos de Cocción. Se deberá observar que la función para leudar no se podrá activar cuando se esté usando un modo de limpieza en el horno inferior.
- Warm (Calentar):** Mantiene la comida caliente. Para más información, consulte la sección de Modos de Cocción.
- Clean (Limpieza):** El horno cuenta con dos modos de limpieza: Self Clean (Limpieza Automática) y Steam Clean (Limpieza con Vapor). Para acceder a información importante sobre el uso de estos modos, consulte la sección de Limpieza del Horno.
- Start (Iniciar):** Se deberá presionar para comenzar cualquier función de cocción, limpieza o por tiempo.
- Cancel/Off (Cancelar/ Apagar):** Cancelar TODAS las operaciones del horno excepto el reloj y el temporizador.
- Cook Time (Tiempo de Cocción):** Cuenta el tiempo de cocción y apaga el horno cuando el tiempo de cocción está completo. Inicie el modo para hornear o calentar, pero no presione **Start (Iniciar)**. Presione la tecla **Cook Time (Tiempo de Cocción)**, use las teclas numéricas para programar un tiempo de cocción en horas y minutos, y luego presione **Start (Iniciar)**.
- Set Clock (Configurar Reloj):** Configure la hora del reloj del horno: Presione la tecla **Set Clock (Configurar Reloj)** y las teclas numéricas para programar el reloj. Presione **Set Clock (Configurar Reloj)** para pasar de AM a PM. Presione **Start (Iniciar)** para guardar la configuración de la hora.
- Timer (Temporizador):** Funciona como un temporizador con cuenta regresiva: Presione la tecla **Timer (Temporizador)** y las teclas numéricas para programar el tiempo en horas y minutos. Presione la tecla **Start (Iniciar)**. El control emitirá un pitido cuando falte 1 minuto y la pantalla mostrará los segundos hasta que el temporizador alcance :00 luego de la cuenta regresiva. El horno continuará funcionando cuando la cuenta regresiva del temporizador se haya completado. Para apagar el temporizador, presione la tecla **Timer (Temporizador)**.

- Oven Light(s) (Luz(es) del Horno):** Enciende o apaga la luz(es) en ambos hornos. Observe que abrir una puerta sólo enciende la luz de ese horno.

13. Lock Controls (Controles de Bloqueo):

Bloquean el control de modo que al presionar las teclas no se activen los controles. Mantenga presionada la tecla **Lock Controls (Controles de Bloqueo)** durante tres segundos para bloquear o desbloquear el control. La función **Cancel/Off (Cancelar/ Apagar)** siempre está activa, incluso cuando el control está bloqueado. Bloquear los controles cancelará funciones activas pero no el temporizador.

14. Delay Time (Tiempo de Retraso):

Genera un retraso cuando el horno es encendido. Use esta tecla para configurar el momento en que desea que el horno se inicie. Inicie el modo para hornear o de limpieza automática, pero no presione **Start (Iniciar)**. Presione la tecla **Delay Time (Tiempo de Retraso)** y use las teclas numéricas para programar la hora del día en que desea que el horno se encienda y luego presione **Start (Iniciar)**. Si lo desea, con la función para hornear también se podrá programar un tiempo de cocción. Siga las instrucciones de Cook Time (Tiempo de Cocción) para configurar esta función. Sólo se puede usar con los modos Bake (Hornear) y Self-Clean (Auto Limpieza).

NOTA: Al usar la función de tiempo de retraso, las comidas que se echan a perder rápidamente, tales como leche, huevos, pescado, rellenos, ave y cerdo, no se deberán dejar reposar por más de 1 hora antes y después de la cocción. La temperatura ambiente estimula el desarrollo de bacterias nocivas. Asegúrese de que la luz del horno esté apagada, ya que el calor de la lámpara acelerará el crecimiento de bacterias nocivas.

15. Remote Enable (Acceso Remoto):

CÓMO CONECTAR EL HORNO

Off (Apagado) - El horno no está conectado. Abra la aplicación y luego mantenga presionada la tecla **Remote Enable (Acceso Remoto)** durante 5 segundos para iniciar el proceso de conexión.

Slow flash (parpadeo lento) - El horno está en modo de búsqueda y está buscando una red.

Rapid flash (parpadeo rápido) - Se produjo un error durante el proceso de conexión.

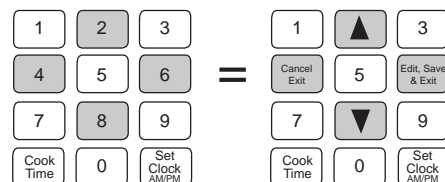
Solid (Sólido) - El horno está conectado a la red y puede ser controlado en forma remota a través de un dispositivo móvil conectado cuando está en funcionamiento, pero no puede ser iniciado en forma remota.

INICIO DEL HORNO EN FORMA REMOTA **REMOTE (Remoto)**

Para poder iniciar el horno en forma remota, presione la tecla **Remote Enable (Acceso Remoto)** y el icono **REMOTE (Remoto)** se encenderá en la pantalla. El horno puede ser iniciado ahora en forma remota con un dispositivo conectado. El icono **REMOTE (Remoto)** debe estar iluminado para iniciar el horno de forma remota. No se requiere el icono **REMOTE (Remoto)** para cambiar las configuraciones del horno o para apagar el mismo. Para desconectar su teléfono de la función Remote Enable (Acceso Remoto Activado), presione la tecla **Remote Enable (Acceso Remoto Activado)** y el icono **REMOTE (Remoto)** se apagará. Luego de usar el horno, recuerde verificar que el icono **REMOTE (Remoto)** esté iluminado, si desea iniciar el horno de forma remota en el futuro.

Funciones especiales

Existen varias funciones especiales en su horno de pared. Para modificar las configuraciones de estas funciones especiales, mantenga presionadas las teclas **Bake (Hornear)** y **Broil (Asar)** al mismo tiempo durante tres segundos. “**ⓁⓁⓁⓁⓁⓁ**” (“**ⓁⓁⓁⓁⓁⓁ**” en hornos dobles) se visualizará en la pantalla. Para cada una de las siguientes funciones, seleccione y edite la función que desee cambiar usando las teclas **8** y **2** para girar hacia arriba o abajo, la tecla **6** para editar (o **Save (Guardar)** y Salir), y la tecla **4** para regresar al menú anterior sin guardar cambios.



Ajuste de la Temperatura del Horno (ⓁⓁⓁⓁⓁⓁ)

Esta función permite que la temperatura de horneado del horno sea ajustada hasta 35°F más caliente o 35°F más fría. Use esta función si piensa que la temperatura de su horno es demasiado caliente o demasiado fría y desea modificarla. **Para los modelos con horno doble, los hornos superior e inferior se ajustan de forma separada.** No use termómetros, tales como los que se encuentran en tiendas, para controlar la configuración de temperatura del horno. Estos termómetros pueden variar entre 20 y 40 grados. Navegue hasta “**ⓁⓁⓁⓁⓁⓁ**” para hornos simples, “**ⓁⓁⓁⓁⓁⓁ**” para el horno superior u “**ⓁⓁⓁⓁⓁⓁ**” para el horno inferior. Presione **6** para editar el desplazamiento. Se visualizará “0” o un número entre + y - 35. Presione **2** para incrementar, y **8** para reducir. -35 a +35 es el rango de desplazamiento disponible. Presione **6** para guardar y salir. Presione **4** para salir sin guardar cambios.

Volumen del Sonido (ⓁⓁⓁⓁⓁⓁ)

Esta función permite que el volumen del tono sea ajustado. Navegue hasta “**ⓁⓁⓁⓁⓁⓁ**” (Sonido) y presione **6** para visualizar o cambiar la configuración actual. Realizar el desplazamiento le permitirá escuchar cada nivel de volumen.

Sonido de Finalización del Temporizador (ⓁⓁⓁⓁⓁⓁ)

Se trata de un tono que indica la finalización de un temporizador. El tono puede ser continuo “**ⓁⓁⓁⓁⓁⓁ**” o un pitido repetido “**ⓁⓁⓁⓁⓁⓁ**”. Una configuración continua seguirá haciendo que un tono suene hasta que un botón del control sea presionado. Navegue hasta “**ⓁⓁⓁⓁⓁⓁ**” y presione **6** para visualizar o cambiar la configuración actual.

Selección de Temperatura Fahrenheit o Celsius (ⓁⓁⓁⓁⓁⓁ)

El control del horno está configurado para su uso con temperaturas Fahrenheit (F), pero lo puede modificar a temperaturas Celsius (C). Navegue hasta “**ⓁⓁⓁⓁⓁⓁ**” y presione **6** para visualizar o cambiar la configuración actual.

Pantalla del Reloj (ⓁⓁⓁⓁⓁⓁ)

Esta función enciende o apaga el reloj en la pantalla. Navegue hasta “**ⓁⓁⓁⓁⓁⓁ**” y presione **6** para visualizar o cambiar la configuración actual.

Configuración del Reloj (ⓁⓁⓁⓁⓁⓁ)

Esta función especifica cómo la hora del día será exhibida o si la misma no se exhibirá. Puede seleccionar la pantalla del reloj estándar de 12 horas (ⓁⓁⓁⓁ) o de tipo militar de 24 horas (ⓁⓁⓁⓁ). Navegue hasta “**ⓁⓁⓁⓁⓁⓁ**” y presione **6** para visualizar o cambiar la configuración actual.

Apagado en 12 Horas (ⓁⓁⓁⓁ)

Cuando esta función sea activada, el horno se apagará de forma automática luego de 12 horas de uso continuo. Navegue hasta “**ⓁⓁⓁⓁ**” y presione **6** para visualizar o cambiar la configuración actual.

Modo Sabático

Modo Sabático

El modo sabático desactiva las luces del horno (la luz del horno no se encenderá cuando la puerta sea abierta), todos los sonidos (el control no emitirá un pitido cuando se presione un botón), los modos de Asado, Calentar, Leudar, Tiempo de Cocción, Temporizador, Reloj, y las funciones de Tiempo Retrasado. El modo sabático sólo puede ser usado con la función Bake (Hornear). Esta función se activa conforme con los requisitos Sabáticos Judíos.

Configuración del Modo Sabático

1. Mantenga presionadas las teclas **Bake (Hornear)** y **Broil (Asar)** durante 3 segundos para ingresar al modo de funciones especiales.
2. Presione las teclas **0** y **2** para desplazarse hacia arriba o abajo hasta que se visualice "SABBATH" en la pantalla. Use la tecla **6** para visualizar y editar la configuración actual, **2** y **8** para cambiar la configuración, y **6** nuevamente para acceder a **Save (Guardar)**, **4** para salir del modo Special Features (Funciones Especiales) y Start Sabbath (Iniciar Modo Sabático). (De forma alternativa, use la tecla **4** para regresar al menú anterior desde el menú Sabbath (Sabático) sin guardar los cambios). Aparecerá una **]** en la pantalla y el reloj no será exhibido.

Observe que si cuenta con un horno de pared doble, al colocar el control en el modo Sabático, ambos hornos están ahora en el modo sabático y están disponibles para la cocción.

Inicio del Horneado Continuo

1. Presione la tecla **Bake (Hornear)**. (Para hornos dobles, permite utilizar el horno superior. Si se desea usar el Horno Inferior, presione Lower Oven (Horno Inferior) y luego Bake (Hornear).)
2. Si la temperatura deseada es 350°F, presione **Start/Enter (Iniciar/Ingresar)**. Si se desea una temperatura de cocción diferente, use las teclas numéricas de **1** a **5** para seleccionar una temperatura de cocción predeterminada, y luego presione **Start/Enter (Iniciar/Ingresar)**. Consulte el siguiente gráfico para determinar qué tecla configura la temperatura de cocción deseada.

Luego de una demora, un segundo corchete "]" [" aparecerá en la pantalla, indicando que el horno está horneando.

Temperatura (°F)	1	2	3
	200	250	300
Tiempo (horas)	4	5	6
	325	400	2h
	7	8	9
	2.5h	3h	3.5h
	Cancel Off	0	Start Enter
		Lock Controls Hold 3 Sec	
		4h	

1 = 200° F, 2 = 250° F, 3 = 300° F, 4 = 325° F, 5 = 400° F

6 = 2 horas, 7 = 2.5 horas 8 = 3 horas, 9 = 3.5 horas, 0 = 4 horas

Ajuste de Temperatura

Presione **Bake (Hornear)** (o presione Lower Oven (Horno Inferior) y luego Bake (Hornear) para usar el horno inferior en un unidad con horno doble), use las teclas numéricas de **1** a **5** para seleccionar una temperatura de cocción actual diferente, y presione **Start/Enter (Iniciar/Ingresar)**.

Inicie un Horneado por Tiempo

1. Presione la tecla **Bake (Hornear)**.
2. Si la temperatura deseada es de 350°F, use las teclas numéricas de **6** a **0** para seleccionar un tiempo de cocción. Si se desea una temperatura de cocción diferente a 350°F, use las teclas numéricas de **1** a **5** para seleccionar una temperatura de cocción predeterminada, y luego seleccione el tiempo de cocción. Consulte el gráfico en esta página para determinar qué tecla configura la temperatura de cocción deseada y el tiempo de cocción.
3. Presione **Start/Enter (Iniciar/Ingresar)**.

Luego de una demora, un segundo corchete "]" [" aparecerá en la pantalla, indicando que el horno está horneando. Cuando el tiempo de cocción finalice, la pantalla volverá a cambiar a un solo corchete "]", indicando que el horno ya no está horneando. No sonará ningún tono cuando el tiempo de cocción se haya completado.

Apagado del Horno

Para apagar el horno, presione **Cancel/Off (Cancelar/ Apagar)** en cualquier momento. **El horno se apagará inmediatamente** y el ícono, **]** cambiará a **]**, indicando que el horno fue apagado.

NOTA: Cada horno de un horno de pared doble se deberá apagar por separado.

Salir del Modo Sabático

Para salir del modo sabático, asegúrese de que el horno esté apagado. Mantenga presionadas las teclas **Bake (Hornear)** y **Broil (Asar)** durante 3 segundos para ingresar a las funciones especiales, y luego presione **2** u **8** para desplazarse hasta "SABBATH", **6** para editar, **2** u **8** para cambiar la configuración a **Off (Apagar)**, **6** para guardar las configuraciones, y **4** para salir de los menús Special Features (Funciones Especiales). El reloj regresará a la pantalla cuando el modo Sabbath (Sabático) se encuentre apagado.

Aviso de Corte de Corriente durante el Modo Sabático

Si se produce un corte de corriente durante el modo Sabático, la unidad permanecerá en el modo Sabático pero apagada cuando vuelva la corriente.

Estantes del Horno

El horno cuenta con seis posiciones de estantes. En la Guía de Cocción, se brindan recomendaciones de posiciones de los estantes para diferentes tipos de comidas. Se ajusta un estante en una dirección para afectar los resultados de cocción. Por ejemplo, si se prefieren partes superiores más oscuras en tartas, panecillos o galletas, pruebe moviendo la comida a un estante que se encuentre una posición más arriba. Si encuentra que las comidas están demasiado doradas en la parte superior, pruebe moviendo las mismas más abajo la próxima vez.

Al hornear con múltiples ollas y en múltiples estantes, asegúrese de que haya por lo menos 1 ½" entre las ollas, a fin de dejar suficiente espacio para que fluya el aire.

Para evitar posibles quemaduras, coloque los estantes en la posición deseada antes de encender el horno.

Estantes Planos Tradicionales

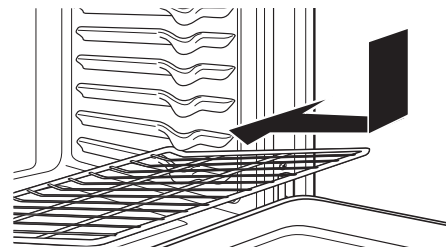
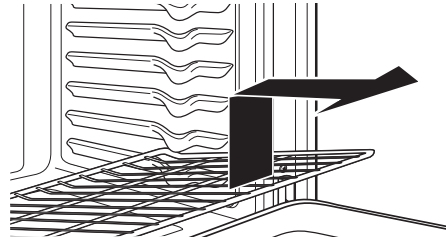
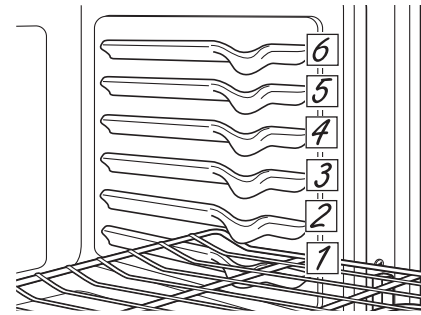
Al colocar y retirar utensilios de cocina, empuje el estante hacia afuera del tope (posición de detención) sobre el soporte del estante.

Para retirar el estante, empuje el mismo hacia usted, incline el extremo frontal hacia arriba y empuje hacia afuera.

Para hacer un reemplazo, coloque el extremo curvo del estante (bloqueadores) en los soportes del horno, incline hacia arriba el frente y empuje el estante hacia adentro.

Es posible que resulte difícil deslizar los estantes, especialmente luego de la limpieza automática. Coloque un poco de aceite vegetal en una tela suave o papel y frote el mismo sobre los extremos izquierdos y derechos de los estantes.

NOTA: El uso de otros aceites de cocina provocará una descoloración o un residuo de color similar al óxido en los estantes y laterales de las cavidades. Para limpiar este residuo, use agua y jabón o una solución de vinagre y agua. Enjuague con agua limpia y seque con una tela seca.



Papel de Aluminio y Cobertores del Horno

⚠ PRECAUCIÓN

No use ningún tipo de aluminio o cobertor de horno para cubrir el fondo del horno. Estos ítems pueden atrapar el calor o derretirse, ocasionando daños sobre el producto y el riesgo de descargas, humo o incendios. Los daños por uso inadecuado de estos ítems no están cubiertos por la garantía del producto.

Se podrá usar aluminio para evitar derrames, colocando una hoja sobre un estante inferior varias pulgadas debajo de la comida. No use más aluminio que el necesario y nunca cubra totalmente el estante de un horno con papel de aluminio. Mantenga el aluminio a por lo menos 1 1/2" de las paredes del horno, para evitar una circulación deficiente del calor.

Utensilios

Pautas de Uso de Utensilios

El material, el acabado y el tamaño de los utensilios afectan el horneado.

Las ollas oscuras, revestidas y opacas absorben el calor más rápidamente que las ollas claras y brillantes. Al usar ollas que absorben el calor más rápidamente, las comidas podrán resultar más doradas, crocantes y con una capa más gruesa.

Si utiliza utensilios oscuros y revestidos, controle la comida antes del tiempo mínimo de cocción. Si se obtienen resultados no deseados con este tipo de utensilios, considere la posibilidad de reducir la temperatura del horno en 25° F la próxima vez.

Las ollas brillantes pueden producir resultados de horneado más parejos en tortas y galletas.

Las ollas de vidrio y cerámica calientan con lentitud, pero retienen bien el calor.

Estos tipos de ollas funcionan bien con platos tales como tartas y postres con natilla.

Las ollas con aislante de aire calientan lentamente y pueden producir fondos dorados.

Mantenga los utensilios limpios para una cocción más pareja.

Modos de Cocción

Su nuevo horno posee una variedad de modos de cocción para que pueda obtener los mejores resultados. Estos modos se describen a continuación. Para acceder a recomendaciones para comidas específicas, consulte la sección de la Guía de Cocción. Recuerde que es posible que su nuevo horno funcione de manera diferente que aquel que está reemplazando.

Hornear

El modo de horneado es utilizado para hornear y dorar. Este modo usa el calor principalmente desde el elemento inferior, pero también desde el elemento superior para cocinar la comida. Al preparar comidas horneadas tales como tartas, galletas y masas, siempre precaliente el horno primero. Siga las recomendaciones de la receta sobre la colocación de la comida. Si no se brindan pautas, centre la comida en el horno. Para usar este modo, presione la tecla **Bake (Hornear)**, ingrese una temperatura, y luego presione **Start (Iniciar)**.

Leudar

El modo Proof (Leudar) está diseñado para elevar (fermentar y leudar) masas de pan. Presione la tecla **Proof (Leudar)** y luego presione **Start (Iniciar)**. Cubra bien la masa para evitar que se seque. El pan se elevará más rápidamente que a temperatura ambiente. Se deberá observar que con los hornos de pared doble, la función para leudar no se podrá activar cuando se esté usando un modo de limpieza automática en el otro horno.

Calentar

El modo Warm (Calentar) está diseñado para mantener comidas calientes hasta durante 3 horas. Para usar este modo, presione la tecla **Warm (Caliente)** y luego presione **Start (Iniciar)**. Cubra las comidas que necesitan mantener la humedad y no cubra aquellas comidas que deberían quedar crocantes. No se requiere precalentar las mismas. No use la función Warm (Calentar) para calentar comida fría, excepto galletas crujientes, papas fritas o cereales secos. También se recomienda que la comida no se mantenga caliente por más de dos horas.

Modo para Asar

Siempre ase con la puerta cerrada. El elemento para asar en el horno es muy potente. Monitoree la comida de cerca al asar. Tenga cuidado al asar en posiciones de estantes superiores, ya que colocar la comida más cerca del elemento para asar incrementa el humo, salpicaduras y la posibilidad de que se incendien las grasas. **No se recomienda asar en el estante de la posición 6.**

Intente asar las comidas que normalmente haría a la parrilla. Ajuste las posiciones de los estantes para ajustar la intensidad del calor a la comida. Coloque las comidas más cerca del elemento para asar, cuando se desee una superficie más cocinada y un interior poco cocido. Las comidas más gruesas y las comidas cuyo interior debe ser cocinado deberían ser asadas en un estante en una posición alejada del usado para asar, o usando las funciones Broil Lo (Asar Bajo).

Asar Alto

El modo Broil Hi (Asar Alto) usa calor intenso del elemento superior para soasar las comidas. Use la función Broil Hi (Asado Alto) para cortes más delgados de carne y/o comidas que prefiera que queden menos cocinadas en su interior. Para usar este modo, presione la tecla **Broil (Asar)** una vez en **Traditional (Tradicional)** y luego presione **Start (Iniciar)**. No es necesario realizar el precalentamiento al usar este modo.

Asar Bajo

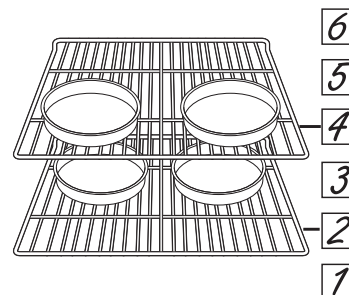
El modo Broil Lo (Asar Bajo) usa menos calor intenso del elemento superior para cocinar la comida completamente mientras también se realiza el dorado superficial. Use la función Broil Lo (Asado Bajo) para cortes de carne más gruesos y/o comidas que desee que queden completamente cocinadas. Para usar este modo, presione la tecla **Broil (Asar)** **dos veces** y luego presione **Start (Iniciar)**. No es necesario realizar el precalentamiento al usar este modo.

Guía de Cocción

TIPO DE COMIDA	MODO(S) RECOMENDADO(S)	POSICIÓN(ES) DE ESTANTES RECOMENDADA	SUGERENCIAS ADICIONALES
Productos Horneados			
Tortas con capas, tortas rectangulares, roscas, panecillos, pan rápido en un Solo Estante	Hornear	3	Use utensilios brillantes.
Tortas con capas* en Múltiples Estantes	Hornear	2 y 4	Asegúrese de que haya un flujo de aire adecuado (Vea la ilustración).
Tortas de grasa (pastel de ángel)	Hornear	1	Use utensilios brillantes.
Galletas, galletitas, bizcochitos en un Solo Estante	Hornear	3	Use utensilios brillantes.
Galletas, galletitas, bizcochitos en Múltiples Estantes	Hornear	2 y 4 1, 3 y 5	Con comidas tales como galletas con azúcar, cambie la ubicación de la comida parcialmente durante la cocción, a fin de lograr resultados de cocción más parejos entre los estantes.
Bife y Cerdo			
Hamburguesas	Asar Alto	5	Use una olla para asa; precaliente 5 minutos si usará el Modo para Asar por Convección. Mueva la comida hacia abajo para que quede más preparada y menos soasada. Preste atención a la comida al asarla. Para un mejor rendimiento, centre la comida debajo del elemento que emite calor para asar.
Bifes y Chuletas	Asar Alto	5	Use una olla para asar; Mueva la comida hacia abajo para que quede más preparada y menos soasada. Preste atención a la comida al asarla. Para un mejor rendimiento, centre la comida debajo del elemento que emite calor para asar.
Dorados	Hornear	2	Deje sin cubrir, use una olla chata tal como una olla para asar. No se requiere precalentarla.
Ave			
Pollo entero	Hornear	2	Use una olla chata tal como una olla para asar. No se requiere precalentarla.
Pechugas, patas, muslos con huesos	Asado Bajo Hornear	3	Ase del lado de la piel hacia abajo primero. Preste atención a la comida al asarla. Para un mejor rendimiento, centre la comida debajo del elemento que emite calor para asar.
Pechugas de pollo deshuesadas	Asado Bajo Hornear	3	Mueva la comida más abajo para que quede más preparada y menos soasada y más arriba para soasar/ dorar al asar. Para un mejor rendimiento, centre la comida debajo del elemento que emite calor para asar.
Pavo entero	Hornear	1 o 2	Use una olla chata tal como una olla para asar. No se requiere precalentarla.
Pechuga de Pavo	Hornear	2	Use una olla chata tal como una olla para asar. No se requiere precalentarla.
Pescado	Asado Bajo	5 (mitad del grosor o menos) 4 (>1/2 pulgada)	Precaliente 5 minutos al Asar por Convección. Preste atención a la comida al asarla. Para un mejor rendimiento, centre la comida debajo del elemento que emite calor para asar.
Cazuelas	Hornear	3	
Comidas Congeladas a Conveniencia			
Productos con papa, patitas de pollo fritas, aperitivos en un Solo Estante	Hornear	3	Use utensilios brillantes.
Productos con papa, patitas de pollo fritas, aperitivos en Múltiples Estantes	Hornear	2 y 4	Use utensilios brillantes. Cambie la ubicación de la comida parcialmente durante la cocción, a fin de obtener resultados de cocción más parejos.

*Al hornear cuatro tortas con capas a la vez, use los estantes 2 y 4. Coloque las ollas como se muestra, de modo que no quede una olla encima de la otra.

Cocine la comida completamente para evitar que se produzcan enfermedades a partir de la comida. Puede encontrar recomendaciones sobre temperatura mínima para cocinar de forma segura en IsItDoneYet.gov. Asegúrese de usar un termómetro de comidas para medir la temperatura de las mismas.



Horno

Asegúrese de que la corriente eléctrica esté apagada y que todas las superficies estén frías antes de limpiar cualquier parte del horno.

Panel de Control

Una buena idea es limpiar el panel de control luego de cada uso. Limpie con un jabón suave y agua o vinagre y agua, enjuague con agua limpia y pule en seco con una tela suave.

No use limpiadores abrasivos, limpiadores líquidos fuertes, almohadillas para fregar de plástico ni limpiadores de horno en el panel de control; dañarán el acabado.

Exterior del Horno

No use limpiadores de horno, limpiadores abrasivos, limpiadores líquidos fuertes, estropajos de acero, almohadillas para fregar de plástico, ni polvos limpiadores en el interior o el exterior del horno. Limpie el mismo con agua y jabón o una solución de vinagre y agua. Enjuague con agua limpia y seque con una tela seca. Al limpiar superficies, asegúrese de que estén a temperatura ambiente y fuera del contacto con

la luz solar. Si las manchas en el borde de la ventana de la puerta son persistentes, use un limpiador abrasivo suave o una esponja con estropajo para obtener un mejor resultado. El derrame de adobo, jugos de fruta, salsas de tomate y líquidos para humedecer que contengan ácidos pueden ocasionar descoloración y se deberán limpiar de inmediato. Deje que las superficies calientes se enfríen, y luego limpie y enjuague.

Superficies de Acero Inoxidable (en algunos modelos)

No use virutas de acero; éstas dañarán la superficie.

Para limpiar la superficie de acero inoxidable, use agua tibia con jabón o un limpiador o pulidor para acero inoxidable. Siempre limpie la superficie en la dirección del veteado. Siga las instrucciones del limpiador para limpiar la superficie de acero inoxidable.

Los limpiadores con ácido oxálico tales como Bar Keepers Friend Soft Cleanser™ eliminarán el óxido, deslustres y

pequeñas manchas sobre la superficie. Use sólo un limpiador líquido libre de material abrasivo y frote en la dirección de las líneas del cepillo con una esponja suave y húmeda.

Para realizar consultas sobre la adquisición de productos, incluyendo limpiadores o pulidores para electrodomésticos de acero inoxidable, lea las secciones de Asistencia y Accesorios, en el comienzo de este manual.

Interior del Horno

El interior de su nuevo horno puede ser limpiado de forma manual o utilizando los modos Steam Clean (Limpieza con Vapor) o Self Clean (Limpieza Automática).

El derrame de adobo, jugos de fruta, salsas de tomate y líquidos para humedecer que contengan ácidos pueden ocasionar descoloración y se deberán limpiar de inmediato. Espere a que las superficies calientes se enfríen, y luego limpie y enjuague.

Limpieza Manual

No use limpiadores de horno (a menos que estén certificados para hornos con limpieza automática), limpiadores abrasivos, limpiadores líquidos fuertes, estropajos de acero, almohadillas para fregar, ni polvos limpiadores en el interior del horno. Limpie el mismo con agua y jabón o una solución de vinagre y agua. Enjuague con agua limpia y seque con una tela seca. Al limpiar superficies, asegúrese de que estén a temperatura ambiente y fuera del contacto con la luz solar.

Modo de Limpieza con Vapor

La limpieza con vapor está pensada para limpiar pequeños derrames usando agua y a una temperatura de limpieza más baja que la función Self-Clean (Limpieza Automática).

Para usar la función Steam Clean (Limpieza con Vapor), limpie las grasas y suciedades del horno. Vierta una taza de agua en la parte inferior del horno. Cierre la puerta. Presione la tecla **Steam Clean (Limpieza con Vapor)** y luego presione **Start (Iniciar)**. La puerta del horno se trabará. No podrá abrir la puerta durante los 30 minutos de la limpieza con vapor, ya que esto reducirá su rendimiento. Al finalizar el ciclo de limpieza al vapor, la puerta se destrabará. Limpie cualquier exceso de agua y cualquier suciedad que haya quedado. **NOTA:** El agua en la parte inferior del horno podrá estar caliente justo después de finalizado el ciclo.

Modo de Limpieza Automática

Lea las Instrucciones de Seguridad del Horno con Limpieza Automática, en el comienzo de este manual antes de usar el modo Self Clean (Limpieza Automática). Este modo usa temperaturas muy altas para limpiar el interior del horno. Cuando use esta función, la puerta del horno se trabará. Antes de utilizar el ciclo de limpieza automática, limpie la grasa y restos de comida que haya en el horno. Retire todos los artículos del horno, excepto los estantes esmaltados (color oscuro). Los estantes brillantes o de plata y cualquier utensilio u otros artículos deberían ser retirados del horno antes de iniciar un ciclo de limpieza automática. Cierre la puerta. Presione la tecla **Steam Clean (Limpieza con Vapor)** y se exhibirá un tiempo de limpieza automática por omisión. El tiempo de limpieza puede ser modificado en cualquier momento entre las 3:00 y las 5:00 horas, usando las teclas numéricas para ingresar un tiempo diferente y presionando **Start (Iniciar)**. Si desea usar el tiempo por omisión, presione la tecla **Start (Iniciar)** inmediatamente luego de presionar la tecla **Steam Clean (Limpieza con Vapor)**. El horno se apagará de forma automática cuando el ciclo de limpieza automática sea completado. La puerta permanecerá bloqueada hasta que el horno se haya enfriado. Una vez que el horno se haya enfriado, limpie cualquier ceniza que haya quedado en el horno.

IMPORTANTE: Las emanaciones producidas por el ciclo de autolimpieza de cualquier horno afectan la salud de algunas aves de manera notoria. Procure llevar sus aves a otra habitación bien ventilada.

Horno (Cont.)

Estantes Planos

Los estantes planos que estén esmaltados, y no sean brillosos, se podrán dejar en la cavidad durante la limpieza automática o se podrán lavar con agua caliente y jabón.

Es posible que resulte más difícil deslizar los estantes, especialmente luego de la limpieza automática. Coloque aceite vegetal en una tela húmeda o toalla de papel y frote sobre los extremos izquierdo y derecho.

NOTA: El uso de otros aceites de cocina provocará una descoloración o un residuo de color similar al óxido en los estantes y laterales de las cavidades. Para limpiar este residuo, use agua y jabón o una solución de vinagre y agua. Enjuague con agua limpia y seque con una tela seca.

Luz del Horno

⚠ ADVERTENCIA **PELIGRO DE DESCARGA O QUEMADURAS:** Antes de reemplazar la lámpara de luz del horno, desconecte la conexión eléctrica del horno del fusible principal o del panel del disyuntor. Si esto no se cumple, se podrá producir una descarga eléctrica o un incendio.

⚠ PRECAUCIÓN **RIESGO DE INCENDIO:** La tapa de vidrio y la lámpara de luz se deberán retirar cuando estén frías. Tocar el vidrio caliente sin protección en las manos o con un trapo húmedo puede ocasionar quemaduras.

1. Desconecte la corriente desde el fusible principal o el panel del disyuntor.
2. Retire los estantes del horno.
3. Deslice un destornillador de punta plana o un cuchillo para untar manteca entre la carcasa metálica y la tapa de luz de vidrio. **NOTA:** algunos modelos cuentan con un sujetador metálico que visiblemente sostiene el vidrio. Es necesario insertar la herramienta entre la carcasa metálica y el sujetador que sostiene el vidrio.
4. Apoye la tapa de luz de vidrio con dos dedos para evitar que se caiga al fondo del horno. Tenga cuidado de no astillar la cubierta del horno.
5. De forma suave, gire la punta del destornillador o del cuchillo para untar manteca, a fin de aflojar la tapa de luz de vidrio. Tenga cuidado de no astillar la cubierta del horno.
6. Retire la tapa de luz de vidrio.
7. Retire la lámpara sosteniendo firmemente y deslizando la misma hacia afuera, hasta que las dos clavijas hayan dejado el soporte de cerámica.
8. No toque el vidrio de la nueva lámpara con los dedos. Esto hará que la lámpara falle al dar luz. Tome la lámpara de reemplazo con una toalla limpia o un pañuelo de papel con las clavijas hacia abajo. Aliñe las dos clavijas en el soporte de cerámica, presionando suavemente hasta que la lámpara quede asegurada en la ficha de cerámica.
9. Deslice las lentes protectoras del soporte y presione hasta que las pinzas queden enganchadas en la caja.
10. Vuelva a conectar la corriente.

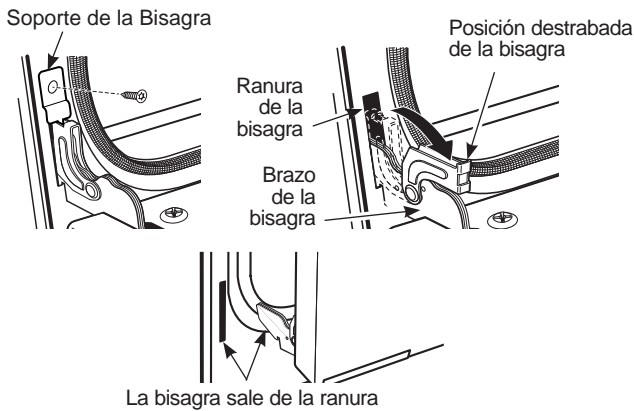
Puerta del Horno

Retiro de la Puerta del Horno

NOTA: La remoción de la puerta no es un requerimiento de la instalación del producto, pero es una comodidad adicional.

Para quitar la puerta:

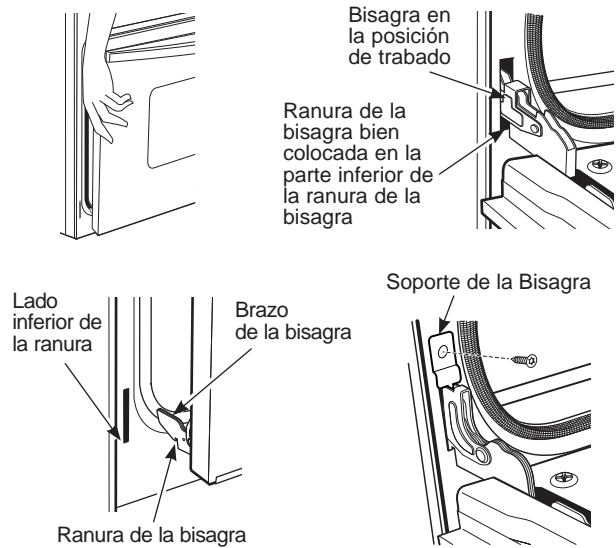
1. Abra la puerta del horno en su totalidad.
2. Retire el soporte de la bisagra (de estar presente) de la estructura frontal y déjelo a un lado. El soporte de la bisagra debe ser colocado nuevamente para un funcionamiento apropiado de la puerta cuando está última sea reinstalada.
3. Presione ambas trabas de la bisagra hacia abajo en dirección del marco de la puerta hasta destrabarlas. Para esto puede hacer falta un destornillador de lados planos. **¡NO LEVANTE LA PUERTA DE LA MANIJA!**
4. Coloque las manos sobre ambos lados y cierre la puerta del horno hasta la posición de remoción (aproximadamente 1"–2" [2,5 cm–5,1 cm] de la posición de cierre).
5. Levante la puerta hasta que los brazos de la bisagra hayan salido de las ranuras. **NOTA:** La puerta del horno es muy pesada. Asegúrese de tener un agarre firme antes de levantar la puerta del horno de sus bisagras. Tenga cuidado una vez que haya quitado la puerta. No deposite la puerta sobre la manija. Esto puede provocar abolladuras o rayones.



Reemplazo de la Puerta del Horno

NOTA: La puerta del horno es pesada. Puede necesitar ayuda para levantar la puerta lo suficiente como para deslizarla dentro de las ranuras de la bisagra. No levante la puerta de la manija.

1. Levante la puerta del horno tomándola de ambos lados.
2. Con la puerta en el mismo ángulo de la posición de remoción (aproximadamente 1"–2" [2,5 cm–5,1 cm] desde la posición de cerrado), introduzca la muesca del brazo de la bisagra dentro del extremo inferior de la ranura de la bisagra. La ranura del brazo de la bisagra debe estar bien colocada en la parte inferior de la ranura.
3. Abra la puerta por completo. Si la puerta no se abre por completo, la muesca no está bien colocada en el extremo inferior de la ranura.
4. Presione las trabas de la bisagra hacia arriba contra el armazón frontal de la cavidad del horno, hasta alcanzar la posición de trabado.
5. Reemplace el soporte de la bisagra (de estar presente). El soporte de la bisagra debe ser colocado nuevamente para un funcionamiento apropiado de la puerta.
6. Cierre la puerta del horno.






Consejos para la Solución de Problemas... Antes de solicitar el servicio técnico

¡Ahorre tiempo y dinero! Revise los cuadros de las siguientes páginas o visite GEAppliances.com/ge/service-and-support/cookingproducts.htm para acceder a artículos y videos de apoyo útiles antes de llamar al servicio técnico.

Problema	Causa Posible	Qué Hacer
Mi horno nuevo no cocina como el anterior. ¿Hay algún problema con las configuraciones de temperatura?	Su horno nuevo cuenta con un sistema de cocción diferente con relación al anterior y, por lo tanto, es posible que cocine de forma diferente.	En los primeros usos, use los tiempos y temperaturas de su receta con cuidado. Si aún piensa que su horno nuevo cocina con demasiado calor o demasiado frío, podrá ajustar el termostato usted mismo para aplicar su preferencia de cocción específica. NOTA: Este ajuste afecta las temperaturas de Bake (Hornear), Convection Bake 1 Rack (Hornear por Convección en 1 Estante) y Convection Bake Multi (Hornear por Convección Múltiple); no afectará las funciones Convection Roast (Dorar por Convección), Broil (Asar), o Clean (Limpiar).
La comida no se hornea de forma apropiada	Controles del horno configurados de forma incorrecta.	Consulte la sección Modos de Cocción.
	La posición del estante es incorrecta o el estante no está nivelado.	Consulte la sección Modos de Cocción y la Guía de Cocción.
	Uso de una cacerola incorrecta o de una cacerola de tamaño incorrecto.	Consulte la sección Utensilios.
	La temperatura del horno debe ser ajustada.	Consulte la sección Funciones Especiales.
	Sustitución de ingredientes	Sustituir ingredientes puede modificar el resultado de la receta.
La comida no asa de forma apropiada	Controles del horno configurados de forma incorrecta.	Asegúrese de seleccionar el modo correcto para asar.
	Se usó una posición incorrecta del estante.	Para acceder a sugerencias de ubicación de estantes, consulte la Guía de Cocción.
	Se cocinó comida en una olla caliente.	Asegúrese de que el utensilio esté frío
	Utensilio de cocina inadecuado para asar.	Use una olla específicamente diseñada para asar
	El papel de aluminio usado para la olla y la rejilla para asar no se ajustó ni cortó de forma apropiada, según lo recomendado.	Si usará papel de aluminio, deberá usarse conforme con las aberturas de la olla.
	En algunas áreas, es posible que el nivel de corriente (voltaje) sea bajo.	Precalente el elemento para asar durante 10 minutos.
La temperatura del horno es demasiado caliente o demasiado fría	La temperatura del horno debe ser ajustada.	Consulte la sección Funciones Especiales.
El horno no funciona o parece no funcionar	Es posible que un fusible de su hogar se haya quemado o que el disyuntor se haya desconectado.	Reemplace el fusible o reinicie el disyuntor.
	Controles del horno configurados de forma incorrecta.	Consulte la sección Uso del Horno.
	El horno se encuentra en Sabbath Mode (Modo Sabático)	Verifique que el horno no esté en Sabbath Mode (Modo Sabático). Consulte la sección Funciones Especiales.
Sonido de “chisporroteo” o “traqueo”	Éste es el sonido de metal calentándose o enfriándose durante las funciones de cocción y limpieza..	Esto es normal.
¿Por qué la estufa hace un sonido de “clic” cuando uso el horno?	Su estufa fue diseñada para mantener un control más ajustado sobre la temperatura del horno. Es posible que escuche que los elementos de calentamiento del horno hagan sonidos de “clic” con mayor frecuencia que con hornos más antiguos para lograr mejores resultados durante los ciclos de horneado, asado, convección y limpieza automática.	Esto es normal.
El reloj y el temporizador no funcionan	Es posible que un fusible de su hogar se haya quemado o que el disyuntor se haya desconectado.	Reemplace el fusible o reinicie el disyuntor.
A veces el horno tarda más en precalentarse a la misma temperatura	Utensilio o comida en el horno	El utensilio o la comida en el horno hará que éste tarde más en precalentarse. Retire estos artículos para reducir el tiempo de precalentamiento.
	Cantidad de estantes en el horno	Agregar más estantes al horno hará que éste tarde más en precalentarse. Retire algunos estantes.

Consejos para la Solución de Problemas... Antes de solicitar el servicio técnico

Problema	Causa Posible	Qué Hacer
La luz del horno no funciona	La lámpara está floja o presenta defectos.	Ajuste o reemplace la lámpara.
	La luz de funcionamiento del interruptor está rota.	Llame al servicio técnico.
El modo de limpieza automática del horno no funciona	La temperatura del horno es demasiado caliente como para configurar la limpieza automática.	Espere a que el horno se enfríe y reinicie los controles.
	Los controles del horno están configurados de forma incorrecta.	Consulte la sección de Limpieza del Horno.
Exceso de humo durante un ciclo de limpieza	Suciedad o grasa excesiva.	Presione la tecla Cancel/Off (Cancelar/ Apagar) Abra las ventanas para liberar el humo en la habitación. Espere hasta que  se apague. Limpie el exceso de suciedad y reinicie el ciclo de limpieza.
Humo excesivo al asar	La comida está demasiado cerca del quemador.	Baje la posición del estante con comida.
La puerta del horno no se abrirá luego de un ciclo de limpieza	El horno está demasiado caliente.	Espere a que el horno se enfríe por debajo de la temperatura de bloqueo.
El horno no limpia luego de un ciclo de limpieza	Los controles del horno están configurados de forma incorrecta.	Consulte la sección de Limpieza del Horno.
	El horno estaba demasiado sucio.	Limpie derrames excesivos antes de iniciar el ciclo de limpieza. Es posible que, en hornos con mucha suciedad, sea necesario usar la limpieza automática nuevamente o usarla durante un período de tiempo más prolongado.
 parpadea en la pantalla	El ciclo de limpieza automática fue seleccionado pero la puerta no está cerrada.	Cierre la puerta del horno.
 está encendido cuando desea cocinar	La puerta del horno está bloqueada debido a que la temperatura interior del horno no descendió por debajo de la temperatura de bloqueo.	Presione la tecla Cancel/Off (Cancelar/ Apagar) Deje que el horno se enfríe.
"F – y un número o letra" titila en la pantalla	Tiene un código de error de función.	Presione la tecla Cancel/Off (Cancelar/ Apagar) Permita que el horno se enfríe durante una hora. Vuelva a poner el horno en funcionamiento.
	Si el código de función se repite.	Desconecte totalmente la corriente de la cocina durante por lo menos 30 minutos y vuelva a conectar la misma. Si el código de error de función se repite, llame al servicio técnico.
La pantalla queda en blanco	Es posible que un fusible de su hogar se haya quemado o que el disyuntor se haya desconectado.	Reemplace el fusible o reinicie el disyuntor.
	El reloj está apagado.	Consulte la sección Funciones Especiales.
	El horno se encuentra en Sabbath Mode (Modo Sabático).	Verifique que el horno no esté en Sabbath Mode (Modo Sabático). Consulte la sección Funciones Especiales.
Corte de corriente, el reloj titila	Corte o exceso de corriente	Reinicie el reloj. Si el horno estuvo en uso, deberá reiniciar el mismo presionando la tecla Cancel/Off (Cancelar/ Apagar) configurando el reloj y reiniciando cualquier función de cocción.
Olor a "quemado" o "aceite" desde la ventilación	Esto es normal en un horno nuevo y desaparecerá con el tiempo.	Para acelerar el proceso, configure un ciclo de limpieza automática por un mínimo de 3 horas. Consulte la sección de Limpieza del Horno.
Olor fuerte	Un olor en la aislación alrededor del interior del horno es normal desde las primeras veces en que el horno es usado.	Esto es temporario y desaparecerá luego de varios usos o de un ciclo de limpieza automática.
Ruido del ventilador	Es posible que un ventilador de enfriamiento se active automáticamente.	Esto es normal. El ventilador de enfriamiento se encenderá para enfriar las partes internas. Es posible que funcione hasta durante una hora y media, una vez que el horno se haya apagado.
La puerta de vidrio del horno parece estar "teñida" o tener un color "arcoíris". ¿Es esto un defecto?	No. El vidrio del horno interno está cubierto con una barrera de calor que refleja este último nuevamente hacia el horno, a fin de evitar la pérdida de calor y de mantener fría la puerta externa mientras se hornea.	Esto es normal. Bajo ciertas luces y ángulos, es posible que visualice esta tinta o arcoíris.
El horno no funciona en forma remota	Problemas en el enrutador, no hay señal inalámbrica, etc.	Para solicitar asistencia con la conectividad de red inalámbrica, comuníquese al 800.220.6899.
	El horno no está conectado.	

Garantía Limitada del Horno Eléctrico de GE Appliances

GEAppliances.com

Todo el servicio de garantía es provisto por nuestros Centros de Servicio de Fabricación, o un técnico autorizado de Customer Care®. Para programar una visita del servicio técnico a través de Internet, visítenos en GEAppliances.com/service_and_support/, o llame al 800.GE.CARES (800.432.2737). Cuando llame para solicitar el servicio, tenga los números de serie y modelo disponibles.

Para realizar el servicio técnico de su electrodoméstico, se podrá requerir el uso de datos del puerto de abordaje para su diagnóstico. Esto da al técnico del servicio de fábrica de GE Appliances la habilidad de diagnosticar de forma rápida cualquier problema con su electrodoméstico, y de ayudar a GE Appliances a mejorar sus productos al brindarle a GE Appliances la información sobre su electrodoméstico. Si no desea que los datos de su electrodoméstico sean enviados a GE Appliances, solicitamos que le indique a su técnico no entregar los datos a GE Appliances en el momento del servicio.

Por el Período de	GE Appliances reemplazará
Un Año Desde la fecha de la compra original	Cualquier parte del horno que falle debido a un defecto en los materiales o la fabricación. Durante esta garantía limitada de un año , GE Appliances también proveerá, sin costo , todo el trabajo y el servicio en el hogar para reemplazar la parte que presente defectos.

Qué no cubrirá GE Appliances:

- Viajes del técnico del servicio a su hogar para enseñarle sobre cómo usar el producto.
- Instalación, entrega o mantenimiento inadecuados.
- Fallas del producto en caso de abuso, mal uso, modificación o uso para propósitos diferentes al original o uso comercial.
- Reemplazo de fusibles de la casa o reinicio de disyuntores.
- Daños ocasionados sobre el producto por accidente, incendio, inundaciones o catástrofes naturales.
- Daños sobre el acabado, tales como óxido sobre la superficie, deslustres o manchas pequeñas no informadas dentro de las 48 horas luego de la entrega.
- Daños incidentales o consecuentes causados por posibles defectos sobre este producto.
- Daño causado después de la entrega.
- Producto no accesible para brindar el servicio requerido.
- Solicite el servicio técnico para reparar o reemplazar las lámparas, excepto las lámparas LED.

EXCLUSIÓN DE GARANTÍAS IMPLÍCITAS

Su única y exclusiva alternativa es la reparación del producto, como se indica en la Garantía Limitada. Las garantías implícitas, incluyendo garantías implícitas de comerciabilidad o conveniencia sobre un propósito particular, se limitan a un año o al período más corto permitido por la ley.

Esta garantía limitada se extiende al comprador original y a cualquier propietario posterior de los productos comprados para uso doméstico dentro de EE. UU. Si el producto está en un área donde no se encuentra disponible un Proveedor Autorizado del Servicio Técnico de GE Appliances, usted será responsable por el costo de un viaje o se podrá requerir que traiga el producto a una ubicación del Servicio Técnico de GE Appliances autorizado para recibir el servicio. En Alaska, la garantía limitada excluye el costo de envío o visitas de servicio a su domicilio. Algunos estados no permiten la exclusión o limitación de daños fortuitos o consecuentes. Esta garantía limitada le otorga derechos legales específicos, y usted también podría tener otros derechos que varían de estado a estado. Para conocer cuáles son sus derechos legales, consulte a la oficina de asuntos del consumidor local o estatal o al Fiscal de su estado.

Garante: GE Appliances, a Haier company

Louisville, KY 40225

Garantías Extendidas: Adquiera una garantía extendida de GE Appliances y conozca los descuentos especiales que están disponibles mientras su garantía aún está vigente. Puede acceder a la misma a través de Internet en cualquier momento en

GEAppliances.com/extended-warranty

o llamando al 800.626.2224 durante el horario comercial. Los Servicios para los GE Appliances aún estarán disponibles cuando su garantía caduque.

Abroche su recibo aquí. Para acceder al servicio técnico de acuerdo con la garantía deberá contar con la prueba de la fecha original de compra.

Accesorios

¿Busca Algo Más?

¡GE Appliances ofrece una variedad de accesorios para mejorar sus experiencias de cocción y mantenimiento!

Para acceder a números telefónicos e información de sitios Web, consulte la página de Soporte para el Consumidor.

Estos y otros productos están disponibles:

Accesorios

Olla para Asar Pequeña (8 ¾" x 1 ¼" x 13 ½")

Olla para Asar Grande* (12 ¾" x 1 ¼" x 16 ½")

Olla para Asar Extra Grande** (17 ¾" x 1 ¼" x 19 ½")

Piezas

Estantes del horno

Estante Deslizable Never Scrub de 27"

Estante Deslizable Never Scrub de 30"

Elementos del horno

Lámparas de luz

Suministros de Limpieza

Limpiadores de Acero Inoxidable CitriShine™

Limpiador de Electrodomésticos de Acero Inoxidable CeramaBryte

Lubricante de Grafito***

*La olla para asar grande no entra en cocinas de 20"/24".

**La olla XL no entra en hornos de pared de 24", empotrables de 27" o cocinas de 20"/24".

***Para uso con estantes deslizables Never Scrub.

Soporte para el Consumidor

Sitio Web de GE Appliances

¿Desea realizar una consulta o necesita ayuda con su electrodoméstico? ¡Intente a través del Sitio Web de GE Appliances las 24 horas del día, cualquier día del año! Usted también puede comprar más electrodomésticos maravillosos de GE Appliances y aprovechar todos nuestros servicios de soporte a través de Internet, diseñados para su conveniencia.

En EE.UU.: GEAppliances.com

Registre su Electrodoméstico

¡Registre su electrodoméstico nuevo a través de Internet, según su conveniencia! Un registro puntual de su producto permitirá una mejor comunicación y un servicio más puntual de acuerdo con los términos de su garantía, en caso de surgir la necesidad. También puede enviar una carta en la tarjeta de inscripción preimpresa que se incluye con el material embalado.

En EE.UU.: GEAppliances.com/register

Servicio Programado

El servicio de reparación de expertos de GE Appliances está a sólo un paso de su puerta. Conéctese a través de Internet y programe su servicio a su conveniencia cualquier día del año. En EE.UU.: GEAppliances.com/service o comuníquese al 800.432.2737 durante el horario de atención comercial.

Garantías Extendidas

Adquiera una garantía extendida de GE Appliances y conozca los descuentos especiales que están disponibles mientras su garantía aún está vigente. La puede adquirir en cualquier momento a través de Internet. Los servicios de GE Appliances aún estarán allí cuando su garantía caduque.

En EE.UU.: GEAppliances.com/extended-warranty

o comuníquese al 800.626.2224 durante el horario de atención comercial.

Conectividad Remota

Para solicitar asistencia para la conectividad de red inalámbrica (para modelos con acceso remoto), visite nuestro sitio web en GEAppliances.com/connect o comuníquese al 800.220.6899 en EE.UU.

Piezas y Accesorios

Aquellos individuos calificados para realizar el servicio técnico de sus propios electrodomésticos podrán solicitar el envío de piezas o accesorios directamente a sus hogares (se aceptan las tarjetas VISA, MasterCard y Discover). Ordene hoy a través de Internet durante las 24 horas, todos los días. En EE.UU.: GEApplianceparts.com o de forma telefónica al 877.959.8688 durante el horario de atención comercial.

Las instrucciones que figuran en este manual cubren los procedimientos que serán realizados por cualquier usuario. Otros servicios técnicos generalmente deben ser derivados a personal calificado del servicio. Se deberá tener cuidado, ya que una reparación indebida podrá hacer que el funcionamiento no sea seguro.

Contáctenos

Si no se encuentra satisfecho con el servicio que recibió de GE Appliances, comuníquese con nosotros a través de nuestro sitio Web con todos los detalles, incluyendo su número telefónico, o escriba a:

En EE.UU.: General Manager, Customer Relations | GE Appliances, Appliance Park | Louisville, KY 40225

GEAppliances.com/contact