

Undercounter Ice Machine Installation Guide



Contents

- 3 Undercounter Ice Machine
- 4 Opening Dimensions
- 5 Electrical
- 6 Plumbing
- 7 Installation
- 10 Custom Panel
- 11 Completion

Features and specifications are subject to change at any time without notice. Visit subzero.com/specs for the most up-to-date information.

Important Note

To ensure this product is installed and operated as safely and efficiently as possible, take note of the following types of highlighted information throughout this guide:

IMPORTANT NOTE highlights information that is especially important.

CAUTION indicates a situation where minor injury or product damage may occur if instructions are not followed.

WARNING states a hazard that may cause serious injury or death if precautions are not followed.

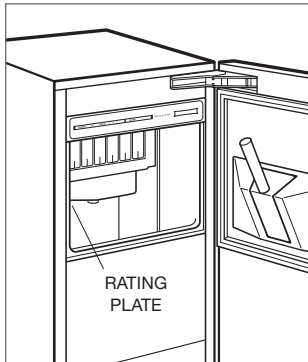
IMPORTANT NOTE: Throughout this guide, dimensions in parentheses are millimeters unless otherwise specified.

IMPORTANT NOTE: Save these instructions for the local electrical inspector.

Product Information

Important product information including the model and serial number are listed on the product rating plate. The rating plate is located in the upper left corner of the ice storage bin, on the back of the unit. Refer to the illustration below.

If service is necessary, contact Sub-Zero factory certified service with the model and serial number. For the name of the nearest Sub-Zero factory certified service or for questions regarding the installation, visit the contact & support section of our website, subzero.com or call Sub-Zero customer care at 800-222-7820.



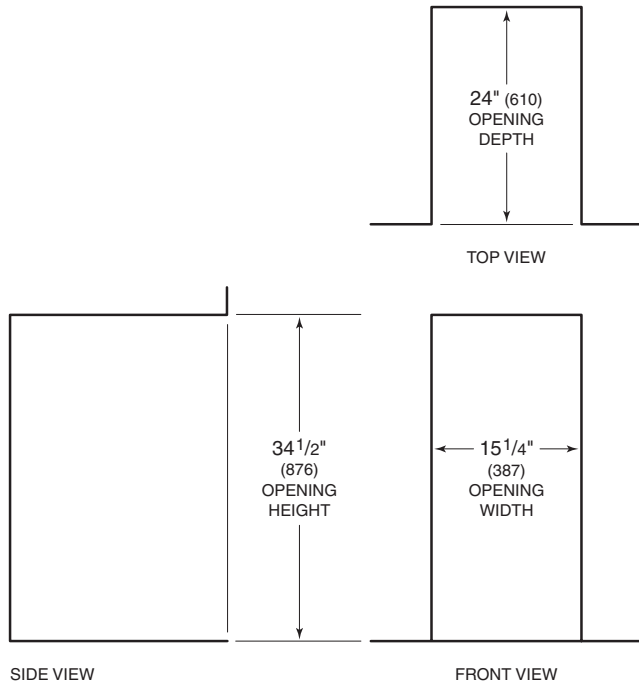
Rating plate location.

Tools | Materials

- Screwdrivers—standard, Phillips and Torx.
- Power drill.
- Standard socket and wrench set.
- 2' level.
- Tubing cutter.
- 3' (.9 m) of 1/4" OD copper, braided stainless steel or PEX tubing.
- Saddle valve.
- Material to protect home, flooring and cabinetry during installation.

Opening Dimensions

ICE MACHINE



IMPORTANT NOTE: It is recommended that the electrical and water supply be placed in an adjacent cabinet. If they are placed within the opening, additional cabinet depth may be required.

Electrical

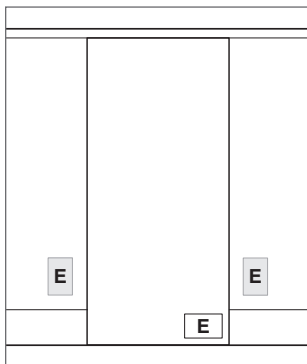
Installation must comply with all applicable electrical codes.

Although it can be located anywhere on the back wall, it is recommended that the electrical supply be placed in an adjacent cabinet or in the lower right of the opening. Refer to the illustration below. A separate circuit, servicing only this appliance is required.

Model UC-15I(P)O is designed and safe for use in outdoor applications. When installed outdoors, a ground fault circuit interrupter (GFCI) is required to reduce the risk of electrical shock. A GFCI is not recommended for use with the indoor model and may cause interruption of operation.

ELECTRICAL REQUIREMENTS

Electrical Supply	115 VAC, 60 Hz
Service	15 amp
Receptacle	3-prong grounding-type



Electrical supply location.

⚠ CAUTION

The outlet must be checked by a qualified electrician to be sure that it is wired with the correct polarity. Verify that the outlet is properly grounded.

⚠ WARNING

Do not use an extension cord, two-prong adapter or remove the power cord ground prong.

Plumbing

Installation must comply with all applicable plumbing codes.

The water supply line should be located as shown in the illustration below. The water supply line should be connected to the house supply with an easily accessible shut-off valve. Do not use self-piercing valves.

A reverse osmosis system can be used provided there is constant water pressure of 20–80 psi (1.4–5.5 bar) supplied to the unit at all times. A copper line is not recommended for this application.

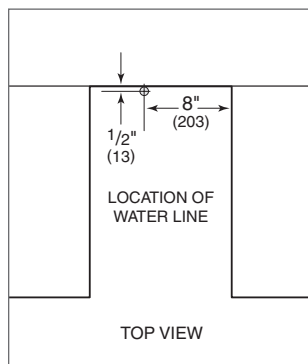
PLUMBING REQUIREMENTS

Water Supply Line	1/4" OD copper, braided stainless steel or PEX tubing
Water Pressure	20–80 psi (1.4–5.5 bar)
Excess Water Line for Connection	36" (914)

ICE MACHINE DRAIN

The ice machine can be ordered with or without a drain pump. Models without a pump will drain water by gravity. A drain must be installed.

The drain and inlet water tubes must be plumbed before connecting to the ice machine. For the gravity drain, horizontal drain lines must have a 1/4" (6) per 12" (305) fall. An air gap will likely be required between the unit and drain. A stand pipe with a trap below is acceptable for the drain.



Water supply location.

Preparation

⚠ CAUTION

Before moving the unit into position, secure the door closed and protect any finished flooring.

Uncrate the unit and inspect for damage. Remove the wood base and discard shipping bolts and brackets. Remove and recycle packing materials. Do not discard the kickplate and hardware.

Use an appliance dolly to move the unit near the opening.

If the unit has been on its back or side, it must stand upright for a minimum of 24 hours before connecting power.

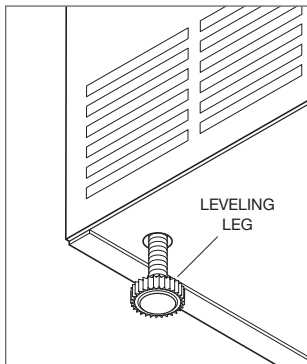
Installation

INSTALL ICE MACHINE

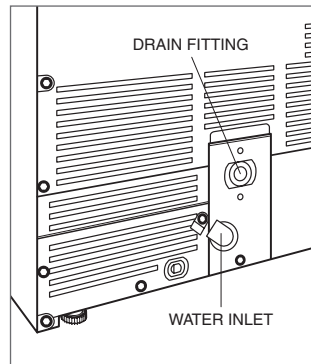
- 1 Adjust the leveling legs close to the desired height. Refer to the illustration below.
- 2 Reverse the door swing if needed. Refer to steps outlined on page 9.
- 3 **Gravity drain model:** Install the drain hose provided, onto the drain fitting on the back of unit and route to the open site drain. Refer to the illustration below and plumbing requirements on the previous page.

Drain pump model: Route drain tubing through the drain fitting on the back of the unit and install the drain hose provided, on the drain pump. Route the other end of the drain tubing to the drain site. Refer to the illustration below and plumbing requirements on the previous page.
- 4 Use a compression fitting to connect the water inlet on back of ice machine to the prepared 1/4" (6) OD cold water line. Refer to the illustration below.

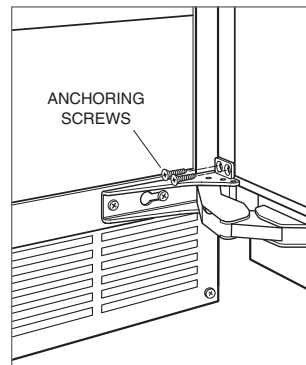
- 5 Open the shut-off valve on the water line. Check all plumbing connections for leaks. Failure to do so could result in flooding.
- 6 Plug the power cord into the grounded receptacle.
- 7 Level the ice machine to assure the door closes and seals properly. Place a level on top of the unit and turn each leveling leg to raise or lower as needed.
- 8 Move the ice machine into its final position.
- 9 Anchor the ice machine by installing two flat head screws provided through each hinge. Refer to the illustration below.



Leveling.



Drain connection.

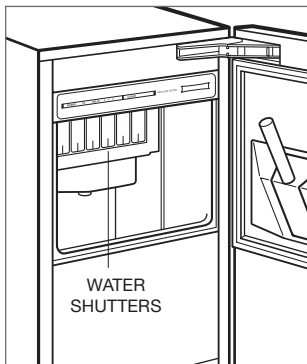


Anchoring.

Installation

VERIFY ICE PRODUCTION

- 1 Press 'POWER' to turn the ice machine on.
- 2 Add one gallon (3.8 L) of cold water to the ice bin. Verify the water completely drains from the ice bin and there are no leaks. If the water has not drained within 60 seconds, there may be a kink in the drain tube or incorrect drain installation.
- 3 Press 'CLEAN'. Wait three minutes until the CLEAN light flashes, then add 1 tablespoon (15 ml) of undiluted ice machine sanitizer directly into the spray area. Refer to the illustration below. Use only the sanitizer made for the Sub-Zero ice machine available at subzerowolfstore.com. For questions, contact Sub-Zero customer care at 800-222-7820.
- 4 A 10-minute sanitizing cycle begins, followed by eight rinse cycles. When the process is complete, the CLEAN light will no longer be illuminated. The entire cycle takes approximately 30 minutes.
- 5 At initial start-up, the ice machine will need approximately 30 minutes to freeze ice cubes and up to five minutes to harvest. Verify completion of the first cycle ice production to confirm proper installation.



Water shutters location.

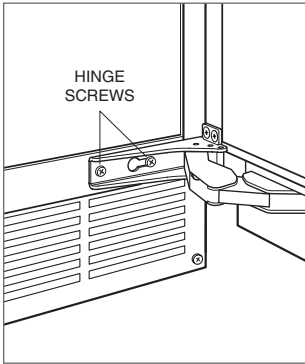
Installation

REVERSE DOOR SWING

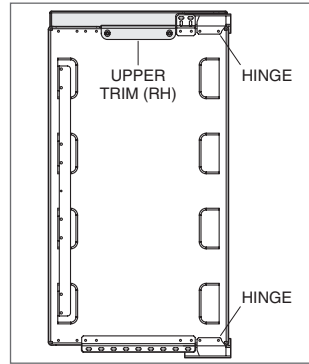
The door hinges are designed to be placed on either the right or left side of the ice machine. The unit is shipped with the door hinged on the right. Moving the hinges to the left in pre-drilled holes, allows for a left-hand door swing.

To reverse door swing:

- 1 Detach the hinges from the ice machine by removing two screws per hinge, then remove the door. Remove the shim located between the cabinet and bottom hinge, this shim will transfer to the left side bottom hinge.
- 2 Detach the hinges from the door by removing two screws per hinge.
- 3 Detach the right-hand upper trim (shaded area) from the door by removing two screws. Refer to the illustration below. Replace it with the left-hand upper trim.
- 4 Transfer the hinges to the left side of the door and reinstall. The upper hinge will now be in the lower hinge position and the lower hinge in the upper hinge position.

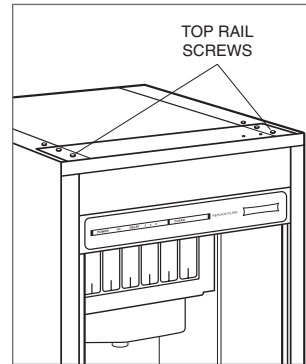


Remove door.

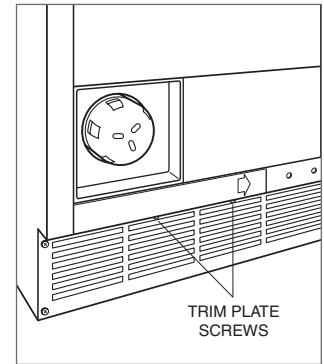


Detach hinges and trim.

- 5 Remove the top cover of the ice machine by removing two screws at the top rear of the unit.
- 6 Remove four screws from the front top rail, then pivot the top rail end for end to expose the two left-hand top hinge mounting holes and reinstall. Refer to the illustration below.
- 7 Remove two screws from the lower edge of the bottom trim plate and slide it to the right to cover the right hinge mounting holes. Refer to the illustration below. The left hinge mounting holes will now be exposed.
- 8 Reinstall the shim removed in step 1, between the cabinet and the left side bottom hinge. Reinstall the door by mounting the hinges using the left hinge mounting holes. Verify operation of door.



Front top rail.



Bottom trim plate.

Custom Panel

OVERLAY PANEL

For overlay applications, a custom door panel must be installed. Panel size is critical for a proper fit. To verify panel requirements and dimensions, refer to the Sub-Zero design guide at subzero.com/specs.

Finish all sides of the custom panel. They will be visible when the door is open.

A D-style handle is recommended. The door handle must be located near the edge of the panel opposite the hinge, centered top to bottom. Stainless steel tubular and pro handles are available through an authorized Sub-Zero dealer. For local dealer information, visit the find a showroom section of our website, subzero.com.

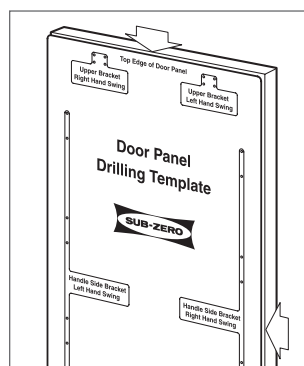
PANEL INSTALLATION

Remove the handle side bracket attached to the front of the door. Place the custom overlay door panel face down on a protected work surface. On the back of the panel, position the plastic template provided, flush with the top and side edges. Verify proper location for right-hand (RH) or left-hand (LH) door swing. Refer to the illustration below.

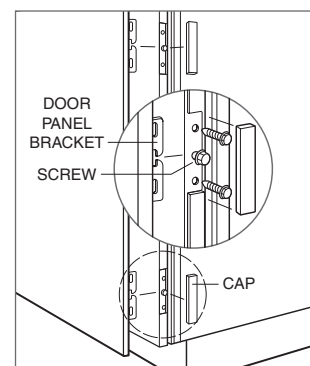
Mark the holes, remove the template and drill pilot holes for the brackets. Position and secure the mounting bracket with screws provided.

To install the custom door panel, partially insert a screw in the center of each mounting position on the hinge side of the door. Engage the tabbed bracket to the handle side of the door, then slide the hinge side mounting bracket onto positioning screws. Slotted holes on the mounting bracket should slide under screw heads to support the panel. Refer to the illustration below. Panel can be adjusted 1/4" (6) up and down and side to side.

Once the custom panel is in place and properly adjusted, attach remaining screws to the hinge side mounting bracket and install hinge covers.



Template position.



Panel installation.

Completion

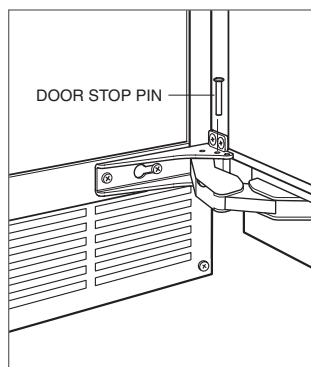
KICKPLATE INSTALLATION

Install the kickplate using two screws provided. Refer to the illustration below. The kickplate must be removable for service. The floor cannot interfere with removal. Do not cover the louvered section of the kickplate.

90° DOOR STOP

Door stop pins provided with the ice machine will limit the door swing to 90°.

To install, open the door to approximately 80°. Insert one stop pin into the top door hinge (pin enters from the bottom) and the other stop pin into the bottom door hinge (pin enters from the top). Refer to the illustration below. Check for proper operation.



90° door stop.

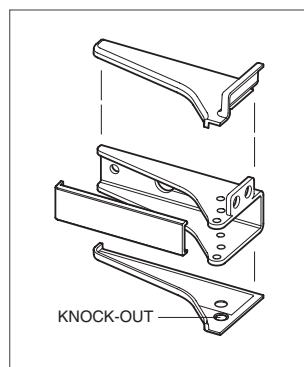
HINGE COVERS

Install hinge covers once installation of the ice machine is complete and door stop pins have been installed (if applicable). The knock-out in the hinge cover must be removed if the 90° door stop is used.

Verify hinges are free of dirt or grease before applying covers. To install, remove paper backing and apply hinge covers to each hinge. Attach the magnetic center covers. Refer to the illustration below.

⚠ WARNING

Follow all city and state laws when storing, recycling or discarding unused refrigerators and freezers.



Hinge covers.



SUB-ZERO, INC. P.O. BOX 44848 MADISON, WI 53744 SUBZERO.COM 800.222.7820

7024818 REV-C

8/2016

