

dacor

Installation Instructions

Contemporary Style Pro Range

DOP48C96D**



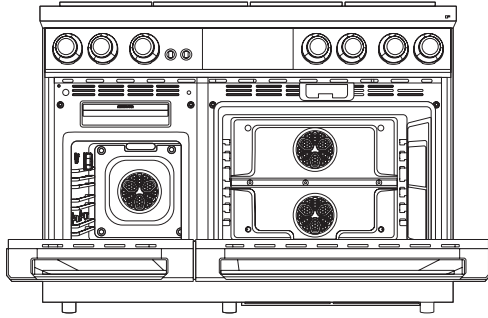
DG68-01511A-00

Contents

Before You Begin	3
Important Notes to the Owner	3
Customer-Assurance Information	3
Important Safety Instructions	4
Read all instructions before using this appliance	4
Symbols In This Manual	4
About Anti-Tip Device	4
California Proposition 65 Warning	4
Commonwealth of Massachusetts	4
Installation-Related Safety Instructions	5
Product Specifications	10
What Is Included (DOP48C96D**)	10
Needed Tools and Parts	11
Installation Requirements	12
Pre-Installation Checklist	12
General Requirements	12
Location Requirements	15
Gas Requirements	17
Special Gas Requirements (gas models sold in Massachusetts)	17
Electrical Requirements	18
Installation Instructions	19
Preparing for Installation	19
About Oven Functions	25
Installing the Burner-Control Knobs	28
Rangetop Assembly	29
Verifying Proper Operation	32
Removing and Reinstalling the Range	32
Installation Checklist	33

Before You Begin

Important Notes to the Owner



Installer

- Read this manual before installing the range.
- Remove all packing material before connecting the electric and gas supply.
- Observe all governing codes and ordinances.
- Leave this manual with the owner, and write the unit's model/serial #s inside for easy reference. Installation of this appliance requires basic mechanical skills.
- The owner shall see to the range's proper installation. (The warranty does not cover product failure due to improper installation.)

Owner

- As with any heat-generating appliance, certain safety precautions must be followed.
- Ensure your range is installed properly by a qualified installer or technician.
- Ensure the wall coverings near the range can withstand the heat generated by it.
- Cabinet storage space above the range surface should be at least 30 in. (76.2 cm).
- Keep this manual handy for personal and professional reference.

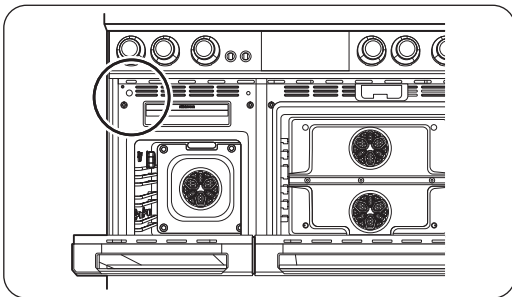
Service Technician

The electrical diagram is attach backside of range.

Customer-Assurance Information

To resolve questions and installation issues, contact your Dacor dealer or the Dacor Customer Assurance Team.

Before calling, have the range's model/serial numbers available. (See the range's data label: Located on the bottom left side of the control panel.)



Dacor Customer Assurance:

833-353-5483 (USA)
Monday - Friday 8:00 AM - 8:00 PM EST

844-509-4659(Canada)
Monday - Friday 8:00 AM - 8:00 PM EST

Website: www.dacor.com

Important Safety Instructions

READ ALL INSTRUCTIONS BEFORE USING THIS APPLIANCE

- To avoid property damage/personal injury/death, follow the directions in this manual.
- Electrical and gas equipment with moving parts can be dangerous. The Important safety instructions in this manual are intended to minimize the risk of property damage, personal injury, and death. Read these instructions.
- Keep this manual in a handy place for reference.

Symbols In This Manual

Follow these warning icons and symbols explicitly to prevent property damage and personal injury.

WARNING

Hazards or unsafe practices that may result in severe personal injury or death.

CAUTION

Hazards or unsafe practices that may result in electric shock, personal injury, or property damage.

NOTE

Useful tips and instructions.

About Anti-Tip Device



WARNING

All ranges can tip and cause personal injury and death. Install and check the anti- tip bracket.

- After installing the anti-tip device (see Installing the Anti-Tip Device), verify proper installation by carefully tipping the range forward. The anti-tip device should keep the range safely in place.
- When the range is put back in place after maintenance, be sure to re-engage the anti-tip device.
- To avoid personal/property damage, do not step/sit/lean on the range.
- Re-engage anti-tip device if range is moved.

California Proposition 65 Warning

WARNING

Cancer and Reproductive Harm - www.P65Warnings.ca.gov

Commonwealth of Massachusetts

This product must be installed by a licensed plumber or gas fitter qualified or licensed by the State of Massachusetts. When using ball-type gas shut-off valves, you must use the T-handle type. Multiple flexible gas lines must not be connected in series.

Installation-Related Safety Instructions

This section consists of general and specific safety instructions surrounding the range's installation.

WARNING

Read these instructions thoroughly to reduce risk of property damage, fire, personal injury, and death, and to ensure proper installation.

General Safety

- Do not touch the range during or immediately after cooking.
- Know where and how to shut off/on the range's gas-supply valve.
- Use only dry pot holders.
- Do not let children sit/stand on the range or play with any of its parts. Do not leave children unattended near the range when it is in use.
- Remove all packaging before operating the range, and properly and immediately dispose of the packaging.
- Keep all packaging away from children.
- Do not keep objects of interest to children on or around the range.
- Do not operate the range if it is damaged or malfunctioning, or is missing parts.
- Do not use oven cleaners/liners anywhere on the oven.
- Do not heat sealed food containers.
- Do not strike the oven glass.
- When disposing of the range, cut off the power cord, and remove the door.
- Shut off the gas, and unplug the range before service/maintenance.
- Cook meat to an internal temperature of 160 °F (71 °C) and poultry to 180 °F (82 °C).
- Air curtains or hoods that blow on the gas range shall be used only if the hood and range are designed and tested per the Standard for Domestic Gas Ranges, ANSI Z21.1 • CSA1.1, and listed by an independent testing lab for combination use.
- Never use the range as a space heater.

Fire Safety

- Do not store/place/use combustible items (e.g., paper, plastic, fabrics, gasoline) near the range.
- Do not wear loose-fitting or hanging garments while using the range.
- Do not let pot holders or other flammable material touch a heating element. Do not use a towel or other bulky cloth as a pot holder.
- Do not douse a grease fire with water but turn off the burner, and smother the fire with a tight-fitting lid, or use a multi-purpose, dry-chemical, or foam extinguisher.
- For oven fires, keep the door closed, and press **OFF**. Do not open the door until the fire goes out. If needed, use a multipurpose, dry-chemical, or foam extinguisher.
- Do not heat sealed containers; pressure may burst the container and cause injury.

Important safety instructions

WARNING

Read these instructions thoroughly to reduce risk of property damage, fire, personal injury, and death, and to ensure proper installation.

Gas Safety

If you smell gas:

- do not use the range, and close the gas valve.
- do not light a match, candle, or cigarette.
- do not turn on any gas or electric appliances.
- do not plug in a power cord or touch an electrical switch.
- do not use any phone in your building.
- evacuate the building.
- immediately call your gas supplier from a neighbor's phone; follow the supplier's directions.
- if you cannot reach your gas supplier, call the fire department.

Checking For Gas Leaks

Leak-test the range per manufacturer directions. Do not use a flame to check for leaks. With a brush, spread a soap-and-water solution around the area in question. If there is a gas leak, small bubbles will appear in the solution. If unsure, call for professional help.

Electrical and Grounding Safety

- Do not remove the ground prong.
- Do not use an adapter or extension cord.
- Do not use a damaged plug, cord, or loose power outlet, and do not alter the plug, cord, or outlet.
- Do not put a fuse in a neutral or ground circuit.
- Use a dedicated 240 Vac, 60 Hz, 50 Amp breaker for the 48" Range and a 40 Amp breaker for the 36" Range. A time-delay fuse or circuit breaker should be used. Plug only the range into this circuit.
- Do not connect the ground wire to plastic plumbing/gas lines, or hot water pipes.
- The range must be grounded. Grounding lowers the risk of electric shock by giving the current a safe path. If unsure that your outlet is properly grounded, have a licensed electrician check it.
- The range has a grounded, 4-prong, plug that must be inserted in a grounded, 4-prong outlet that meets all local ordinances. If codes allow a separate ground wire, a qualified electrician should determine its path.
- Electrical service to the range must conform to local codes, or in their absence, to the National Electrical code/NFPA No. 70 - Latest Revision (for the U.S.) or the Canadian Electrical Code CSA C22.1 or Latest Revisions.
- The owner shall ensure the range receives the proper electrical service.

This section consists of general and specific safety instructions surrounding the range's installation.

⚠ WARNING

Read these instructions thoroughly to reduce risk of property damage, fire, personal injury, and death, and to ensure proper installation.

Installation Safety

- The range should be installed/grounded/serviced by a qualified installer as instructed in this manual.
- Do not service/alter/replace the range or any part of it unless as instructed in this manual. All other service should be done by a qualified technician.
- Remove all tape and packing material.
- Use only new, flexible connectors when installing the range.
- Ensure the anti-tip device is properly installed (Pg. 19).
- Due to the size and weight of the range, have two or more people move the range.
- After unpacking the product, remove all accessories, taking care with heavy pieces.
- Verify that no parts came loose during shipping.
- Ensure the range is correctly installed/adjusted by a qualified service technician or installer for the type of gas (natural or LP) you will use. For the range to use LP gas, the installer must replace all surface burner orifices with the provided LP orifice set, and reverse the GPR adapter. These adjustments must be made per manufacturer instructions and local regulations. The qualified agency performing this work shall be responsible for the gas conversion.
- Installation of this range must conform with local codes or, in their absence, with the National Fuel Gas Code, ANSI Z223.1/NFPA 54, latest edition. In Canada, installation must conform with the current Natural Gas and Propane Installation Code, CAN/CGA-B149.1, or the current Propane Installation Code, CAN/CGA-B149.2, and with local codes where applicable. This range has been design-certified by UL according to ANSI Z21.1/CSA 1.1, latest edition.

Location Safety

- Install the range indoors away from weather/water/strong drafts.
- If the range is near a window, do not hang paper blinds or long curtains that could be blown over/onto the range.
- The range must be installed within easy reach of a grounded, 4-prong outlet.
- Wall and cabinet coverings around the range must withstand heat up to 194 °F (90 °C).
- Select a level, sturdy floor that can support the range's weight (48": 564 lbs.). Synthetic flooring (e.g., linoleum) must withstand 180 °F (82 °C) without shrinking, warping, or discoloring. The range must be separated from carpeting by a sheet of ¼" plywood or similar insulator.
- The range needs sufficient space all around the chassis for its vents to properly exhaust heat and fumes, thus ensuring safe operation.
- Avoid cabinet storage above the range; otherwise, allow at least 30 in. (76.2 cm) from cooking surface to cabinet bottom; or install a range hood that projects outward at least 5 in. (12.7 cm) beyond the cabinetry.

Important safety instructions

This section consists of general and specific safety instructions surrounding the range's installation.

WARNING

Read these instructions thoroughly to reduce risk of property damage, fire, personal injury, and death, and to ensure proper installation.

Cooktop Safety

- Turn all burners off if not using the range.
- Do not line the grates or any part of the cooktop with foil.
- Do not leave burners unattended on medium or high settings.
- Before igniting, ensure burners and caps are properly seated.
- Use LITE (flame symbol) to ignite a burner. If the burner does not stay lit, turn the knob **OFF**, and wait 5 minutes for the gas to dissipate, then retry.
- When setting a burner to simmer, turn the knob slowly; ensure the burner stays lit.
- Place only cookware on the cooktop.
- The cooktop is designed to cook with a wok or wok-ring attachment.
- Food should only be cooked under an active ventilation hood.
- Before removing cookware, turn off the burner, and remove food/cookware when done cooking.
- Burners should be off and all surfaces cool before removing grates and burner parts. After cleaning the burner head, dry it completely before re-assembly.
- Assemble the dual-burner spreader so its spark mark is next to the electrode.
- Do not pour water or other liquids into the cooktop.
- Select cookware that is designed for cooktops and that covers the grate. Burner flames should stay fully under the cookware.
- Do not use cookware that is much larger than the grate.
- Turn cookware handles away from active burners and the cooktop front edge.
- Heat frying-oil slowly, and watch as it heats. When frying at high heat, stand at a safe distance, and monitor the oil constantly. If combining fats/oils, mix them together before heating.
- Use a deep-fry thermometer if possible to avoid heating the oil beyond its smoke point.
- Fry with minimal oil. Thaw food fully before frying; do not fry icy or overly cold food. Let oil/fat cool to room temperature before moving the cookware.
- To avoid delayed-eruptive boiling, let oil/fat stand at least 20 seconds after turning off the burner to stabilize the temperature.

This section consists of general and specific safety instructions surrounding the range's installation.

⚠ WARNING

Read these instructions thoroughly to reduce risk of property damage, fire, personal injury, and death, and to ensure proper installation.

Oven Safety

- Do not use the oven for non-cooking purposes such as drying clothes or storage. Use the oven for cooking purposes only.
- Ensure the oven racks are placed on the same level on each side.
- Do not spray water on the oven glass while the oven is on or just after you turn it off.
- Do not clean the door gasket.
- Do not use cover/line any part of the oven with aluminium foil or like material.
- When using the oven, stand to one side when opening the door.
- Keep the oven free from grease buildup.
- Ensure the oven is completely cool before adjusting the oven racks.
- Do not leave plastic items in the oven.
- To avoid damaging the burner control knobs or oven control, always bake/broil with the oven door closed.
- Do not put meat too close to the broil element; trim excess fat before cooking meat.
- Use cooking bags as directed by the bag manufacturer.
- Do not use abrasive cleaners or metal scrapers to clean the oven-door glass.
- Do not try to operate the oven during a power failure.
- If power fails, turn the oven off. If the oven is not turned off and power returns, the oven may begin to operate again. Unattended food could catch fire or spoil.

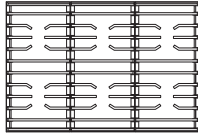
Self-Cleaning Safety

- During self-cleaning, the oven operates at about 800 °F (427 °C). Do not touch any surfaces of the range during a self-cleaning cycle, and keep children away from the oven.
- Before operating the self-clean cycle, wipe excess food residue from the oven. (Excess grease may ignite, causing smoke damage.)
- Before self-cleaning, remove all racks, cookware, and utensils from the oven. Only porcelain-coated oven racks may be left in the oven.
- Stand aside when opening the oven door after self-cleaning.
- If the self-cleaning cycle malfunctions, turn off the oven and circuit breaker, and contact a qualified service technician.
- Fumes released during self-cleaning can be harmful/fatal to pet birds. Move birds to a distant, well-ventilated room.
- Do not use commercial oven cleaner or protective coating on the oven interior/exterior.

Product Specifications

What Is Included (DOP48C96D**)

The range comes with brass and porcelain burner caps to suit customer preference.



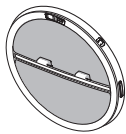
Grates (3)



Burner heads (6)
and Burner caps (8)



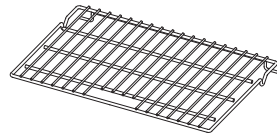
Glide racks (2)



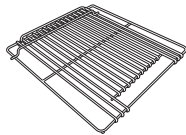
Convection filters (3)



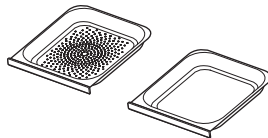
Temp. Probes (2)



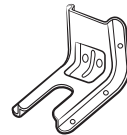
Wire rack (1)



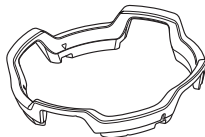
Small rack (1)*



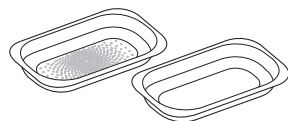
Steam trays (2)*



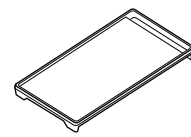
Anti-tip bracket (1)



WOK ring (1)



Half steam trays (2)*



Griddle (1)

*Steam ovens only

Needed Tools and Parts

Parts Needed



Gas line shut-off valve



Flexible metal appliance connector 1/2 in (ID) x 5 ft



Flare union adapter
3/4 in (NPT) x 1/2 in (ID)



135-degree elbow (optional)



Lag bolt or 1/2-in (OD)
sleeve anchor



Flare union adapter
1/2 in (NPT) x 1/2 in (ID)

Tools Needed



Flat-blade screwdriver



Phillips screwdriver



Open-end or adjustable wrench



Pipe wrench (2)



Nut driver



Pencil and ruler



Level



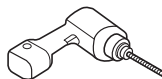
Pipe joint compound



Utility knife



Soapy water solution



Drill with 1/8" or 3/16" bit

Installation Requirements

Pre-Installation Checklist

1. Before installing the range, read this manual thoroughly.
2. Plan for a location where the range will not be subject to strong drafts.
3. Remove packaging, grate boxes, regulator with literature, and literature package from the range, verify that all items are present before beginning the installation.

General Requirements

Clearances and Dimensions

- For over-the-range (OTR) over gas stove, follow the local gas code.
- For safe operation, provide adequate space between the range and combustible surfaces. Location of the electrical outlet and gas piping may be adjusted to meet the dimensions and clearances in this manual.
- The range may be installed flush to the rear wall. A non-combustible material must be installed on the rear wall between the range and hood. It is not necessary to install non-combustible material directly behind the range. Openings in the wall behind the range or in the floor below must be sealed.
- Canada only: A free-standing range shall be installed at least 4.7 in. (12 cm) from all adjacent surfaces.

CAUTION

The range complies with the maximum allowable wood-cabinet temperature of 194 °F (90 °C). Ensure the adjacent wall covering, countertops, and cabinets can withstand such heat to avoid discoloration, delamination, or melting.

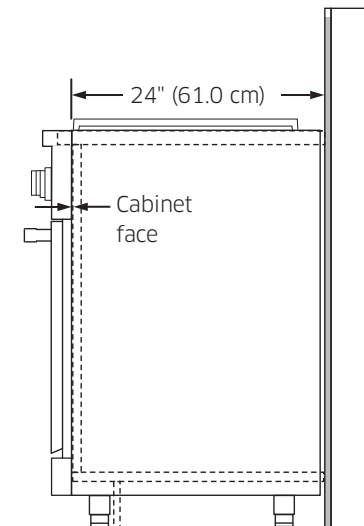
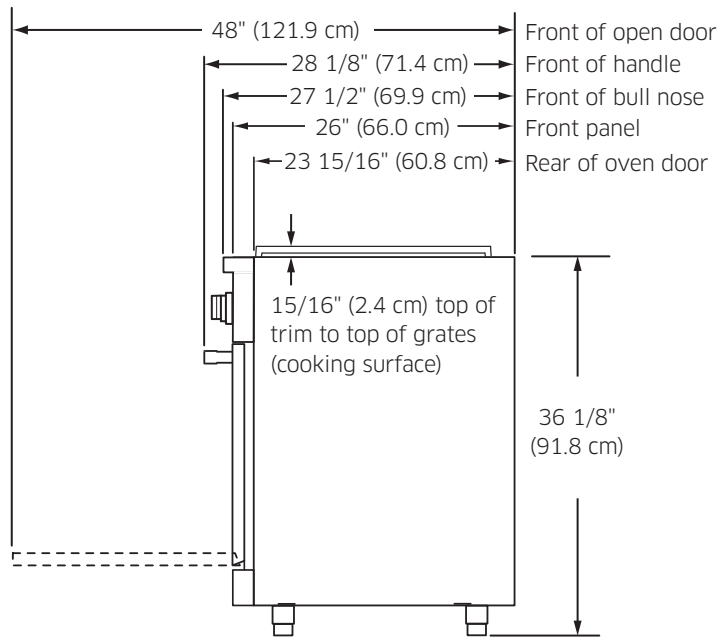
Minimum Dimensions

WARNING

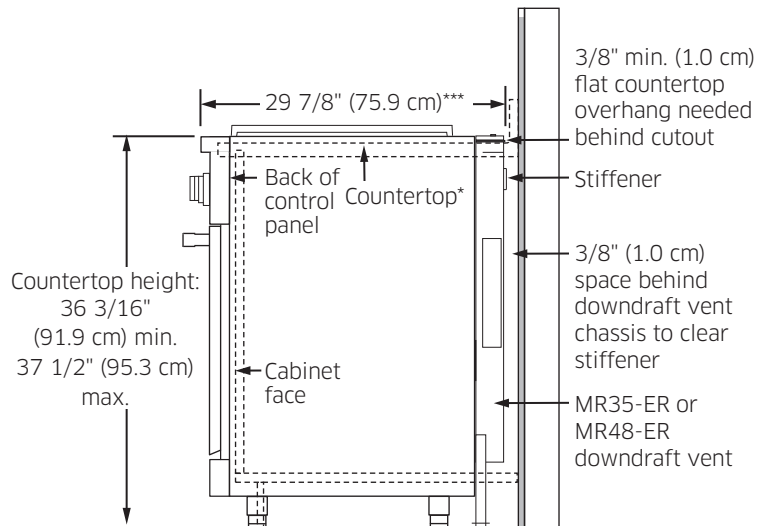
Regarding overhead cabinets, a hood should be installed that projects at least 5" (12.7 cm) beyond the cabinetry face to dissipate heat in those cabinets. The hood must consist of sheet metal at least 0.0122" thick. Install the hood with at least 1/4" clearance between it and the bottom of the combustible material or metal cabinet. The hood must be at least as wide as the range and centered over it. Clearance between the cook surface and hood bottom must be at least 24". (For above-range cooking appliances, follow that appliance's installation criteria.)

- 30" (76.2 cm) minimum clearance between the cook surface and bottom of an unprotected wood/ metal cabinet; or if no 30" (76.2 cm) min. clearance, 24" (61 cm) min. when the bottom of the wood/metal cabinet is protected by at least 0.250" (0.64 cm) flame-retardant millboard covered with at least No. 28 MSG sheet steel, 0.015" (0.038 cm) stainless steel, 0.024" (0.061 cm) aluminum, or 0.020" (0.051 cm) copper.
- 18 in. (45.7 cm) minimum between the countertop and adjacent cabinet bottom.

Product Dimensions – Product tolerances: $\pm 1/16"$ (± 1.6 mm)
DOP48C96D**: 47 7/8" (121.6cm) wide



Range Installed



Range Installed with Downdraft Vent

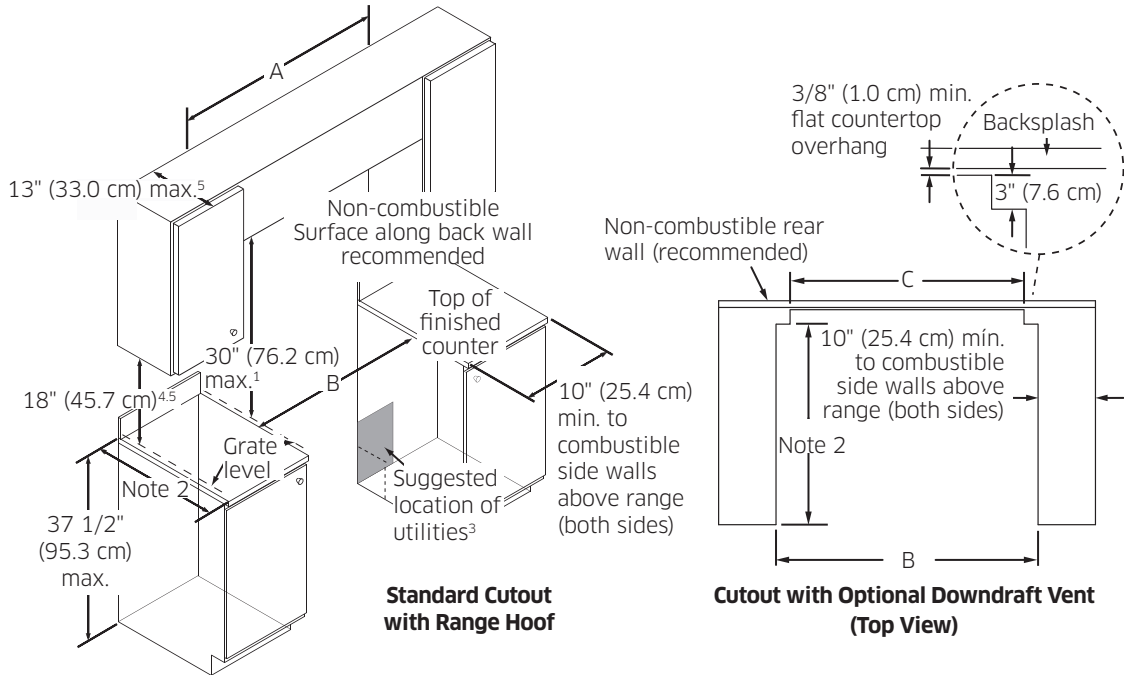
Cabinet Dimensions

Maintain all max/min dimensions and clearances in the diagrams below for safe use.

Installation Requirements

CUTOUT DIMENSIONS			
Range Model	A	B	C
DOP48C96D**	54" (137.2 cm)*; 48" (121.9 cm)**	48" (121.9 cm)**; 48 1/8" (122.2 cm)***	43 1/2" (110.5 cm)

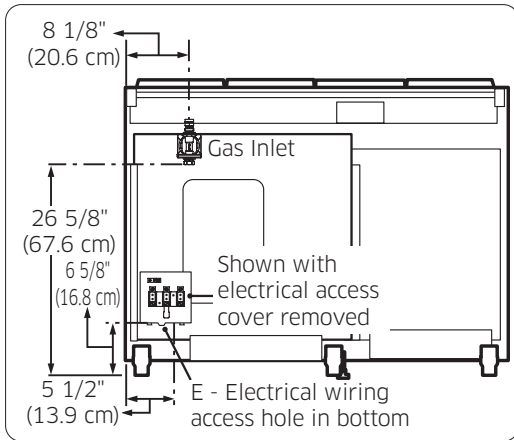
* Recommended, ** Minimum, *** Maximum



1. Vertical from range grate level to combustible overhead surface; if installing an overhead hood, see hood specifications for minimum required clearances.
2. Cabinet/countertop depth is at the customer's discretion, but cabinet face must not protrude beyond the rear of the front panel. (See Product Dimensions, Pg. 13)
3. Consult local codes for exact location requirements.
4. Vertical from grate level to combustible surface.
5. Does not apply to cabinets more than a horizontal distance of 10" (25.4 cm) from the range edge.

Location Requirements

DOP48C96D** (rear)



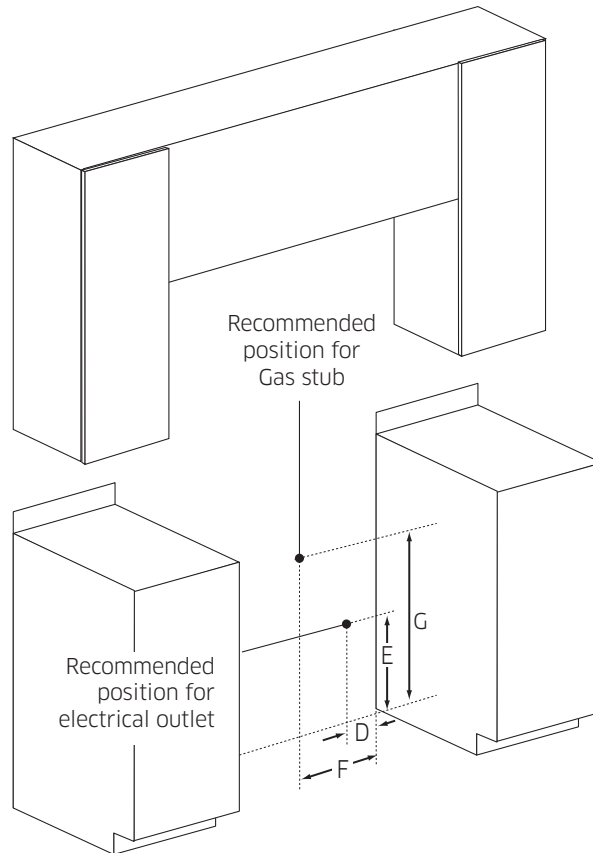
1. Measurement with appliance legs adjusted to lowest height.
2. The hole size for the electrical wiring may be increased to 1 1/8" (2.9 cm) by removing the conduit bracket in the bottom of the range electrical box.

Installation Requirements

Gas and Electrical Service

- See below for the recommended location of the gas inlet and electrical junction box/receptacle. Existing utilities may be used if they are compatible with this range. Check local building codes for allowed gasvalve locations.
- An external manual shut-off valve must be installed between the gas inlet and range so the range's gas supply can be turned on/off. Installation must allow access to the gas shut-off valve when the unit is installed and access to the remote circuit-breaker panel/fuse box without moving the range.
- The gas-supply piping and shut-off valve, and the electrical junction box/receptacle must be located so as not to interfere with the range when it is installed.
- The junction box and gas-shut off valve must be located so the range can be pulled out for service without being disconnected.

Model	D	E	F	G
DOP48C96D**	5 1/2" (13.9 cm)	6 5/8" (16.8 cm)	8 1/8" (20.6 cm)	26 5/8" (67.6 cm)



Gas Requirements

Provide Adequate Gas Supply

This oven's installation must conform to local codes or, in their absence, with the National Fuel Gas Code, ANSI Z223.1/NFPA 54.

This range's cooktop is designed to operate at a manifold pressure of 5 in. (13 cm) of water column for natural gas/natural gas at high altitude (NG-H) or 10 in. (25.4 cm) of water column for LP (propane)/LP at high altitude (LP-H).

Verify that the oven is right for the provided gas service.

When verifying regulator function, inlet pressure must be at least 1 in. (2.5 cm) greater than the operating (manifold) pressure as given.

GAS SUPPLY PRESSURE REQUIREMENTS*		
Gas Type	Minimum Manifold Pressure	Minimum Gas Supply Pressure**
Natural Gas	5" Water Column	6" Water Column
LP (propane) Gas	10" Water Column	11" Water Column

*The gas supply pressure for testing the regulator setting shall be at least 1" water column (249 Pa) above the specified manifold pressure;

**Maximum gas supply pressure for all models: 1/2 psi.

NOTE

- The pressure regulator at the inlet of the cooktop manifold must stay in the supply line whether or not natural or LP gas is used.
- Use only the range's regulator, which must be installed in the gas line that runs from the cooktop gas inlet to the gas shut-off valve.
- An external manual shut-off valve must be installed between the gas inlet and range for turning on/off gas to the appliance.
- Ensure the connectors are installed by a qualified installer.
- To avoid leaks and personal injury, never install used connectors on a new product. Use only new, flexible connectors.

Special Gas Requirements (gas models sold in Massachusetts)

WARNING

- Gas leaks may occur in your system, creating a hazardous condition. Such leaks may not be detected by smell alone; thus, gas suppliers recommend installing a UL-approved gas detector per manufacturer specifications.
- The range must be installed by a plumber or gas fitter certified by the State of Massachusetts.
- A T-handle manual gas valve MUST be installed in the gas-supply line to your range.
- If using a flexible gas connector, multiple lines must not be connected in series.

Installation Requirements

Electrical Requirements

Follow these directions to reduce risk of property damage, personal injury, or death.

WARNING

The owner shall ensure that the electrical service meets requirements and that the electrical outlet is installed by a licensed electrician.

All Ranges

- Plug the range into a grounded 3-prong outlet.
- **Do not remove** the grounding prong.
- **Do not use** an adapter or an extension cord.
- **Do not use** a damaged power plug, power cord, or loose power outlet.
- **Do not modify** the power plug, cord, or outlet.
- **Do not put** a fuse in a neutral or ground circuit.
- Use a dedicated 240 Vac, 60-Hz, 50-Amp breaker for this Range. A time-delay fuse or circuit breaker is recommended. Do not plug more than one appliance into this circuit.
- **Do not connect** the ground wire to plastic plumbing lines, gas lines, or hot water pipes.
- This range **must be Earth grounded**. If the range malfunctions or breaks down, grounding reduces the risk of electric shock by providing a safe path for the current. This range's power cord has a grounding plug, which must be firmly plugged into an outlet that is properly installed and grounded according to local regulations. If you are not sure your electrical outlet is properly grounded, have it checked by a licensed electrician.
- Electrical service to the range must conform to local codes. Barring local codes, it should meet the latest ANSI/NFPA No. 70 - Latest Revision (for the U.S.) or the Canadian Electrical Code CSA C22.1 - Latest Revisions.
- The range owner shall ensure that the proper electrical service is provided for the range.

Installation Instructions

Preparing for Installation

⚠ WARNING

- If the gas or electric service provided does not meet the product specifications, do not proceed with the installation. Call the dealer, the gas supplier or a licensed electrician.
- Before installing the range, you must locate and secure the anti-tip bracket to the floor.

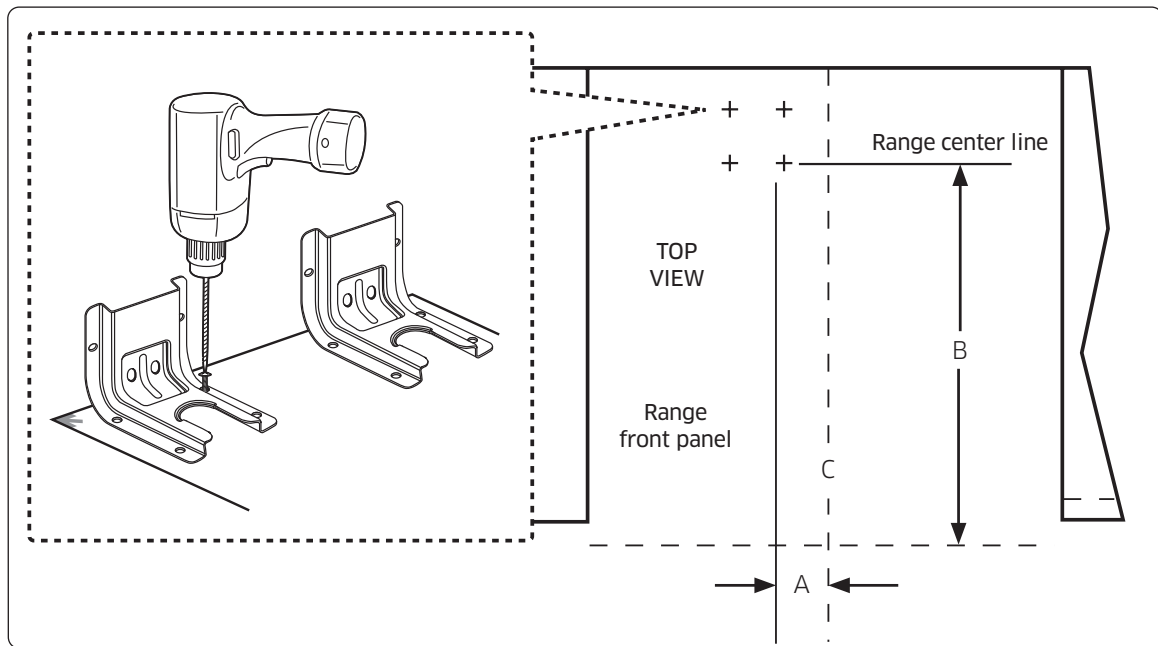
Unpacking the Range

Unpack the parts box and verify that all required components have been provided. If any item is missing or damaged, please contact your dealer immediately. Do not install a damaged or incomplete appliance.

Install the anti-tip device

⚠ WARNING

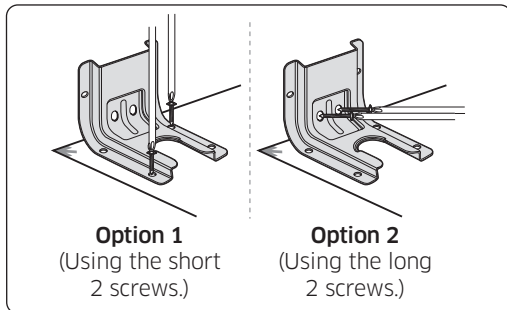
- To reduce the risk of tipping, the appliance must be secured by properly installing the anti-tip device packed with the appliance.
- All ranges can tip, resulting in personal injury.
- Tipping ranges can cause burns from spills, personal injury, and/or death.
- To prevent accidental tipping, install and check the anti-tip bracket.



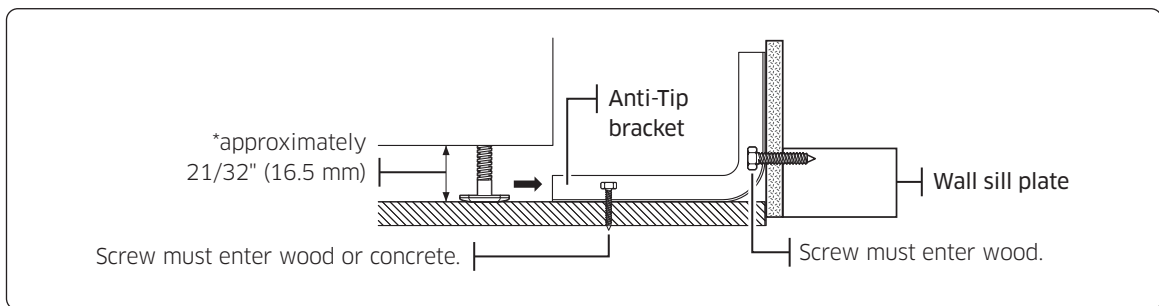
1. If bracket is to be mounted to wood floor, use a drill with a 1/8" drill bit to drill the four holes. If bracket is to be mounted the cement or ceramic floor, use a drill with a 3/16" drill bit to drill the four holes.

ANTI-TIP BRACKET PLACEMENT	
Dim.	DOP48C96D**
A	5 1/16" (5.2 cm)
B	22 11/16" (57.6 cm)

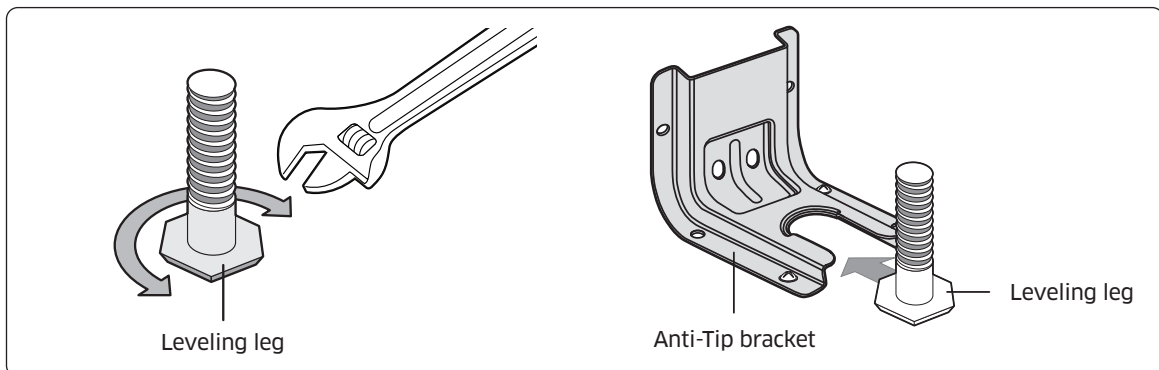
Installation Instructions



- Line up the holes on anti-tip bracket with the holes in floor or the Wall plate as shown in Options 1 and 2. Secure the bracket in place with a Phillips Screwdriver and using two of the four screws provided.



- Level range by adjusting the leveling legs with a wrench. Use a spirit level to check your adjustments. Plug the power supply cord into the grounded outlet. Slide range back into position. To check visually that rear leveling leg is inserted into bracket, grasp the top rear edge of the range and carefully attempt to tilt it forward.



NOTE

To install the Anti-tip bracket, release the leveling leg using pipe wrench because Loctite is applied on Bolt for vibration unlocking. A minimum clearance of $21/32$ " (16.5 mm) is required between the range bottom and the kitchen floor.

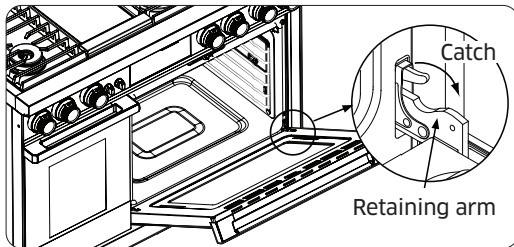
To check if the bracket is installed and engaged properly, remove the kick panel and look underneath the range to see that the leveling leg is engaged in the bracket. Carefully tip the range forward. The bracket should stop the range within 4 inches (10.2 cm) of tipping. If it does not, the bracket must be reinstalled.

If the range is pulled from the wall for any reason, always repeat this procedure to verify the range is properly secured by the anti-tip bracket. Never completely remove the leveling legs or the range will not be secured to the anti-tip device properly.

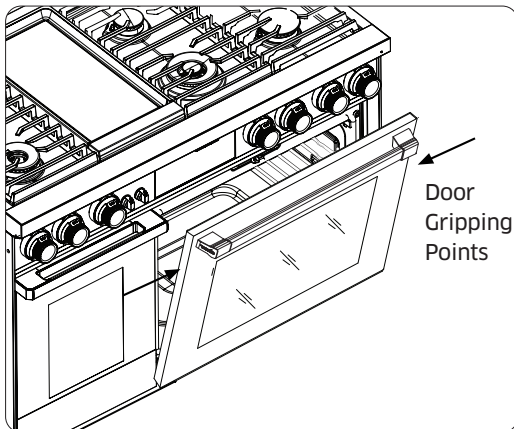
Removing the Oven Door

WARNING

- Do not try to disengage the hinge catches with the door(s) removed. The hinge springs could release causing personal injury.
- Do not lift or carry the oven door(s) by the handle.



1. Open the door fully.
2. With needle-nose pliers or a slotted screwdriver, rotate the catch over the retaining arm on each hinge.



3. Lift the oven door to about a 15° angle from vertical.
4. With both hands, grasp the door just below the handle, and pull up slightly.
5. On the bottom-right edge of the door, pull out the wire connector, and disconnect the wires.
6. Lift the door away from the oven.

Installation Instructions

Electrical Connection

For personal safety, do not use an extension cord with the range. Remove the house fuse or open the circuit breaker before starting the installation.

The range must receive the proper voltage and frequency and connect to an individual, properly grounded branch circuit protected by a circuit breaker or fuse having amperage as specified on the rating plate (left-side door trim). The range's power hookup should be done by a qualified electrician. After installation, have the electrician show you where to turn off power to the range. Consult local utilities for applicable codes. Failure to wire your oven per these codes could create a safety hazard. If there are no such codes, your range must be wired and fused per the National Electrical Code, ANSI/NFPA No. 70-Latest Edition. For a copy, write: National Fire Protection Association, Batterymarch Park, Quincy, MA 02269

Effective Jan. 1, 1996, the National Electrical Code requires that new construction use a 4-conductor connection to an electric range. When installing an electric range in new construction, follow Steps 2 and 3 for 4-wire connection.

- A 3-wire or 4-wire, single-phase A.C. 240 Volt, 60 hertz electrical system is required. If the home electrical service does not meet the above specifications, have a licensed electrician install an approved outlet.
- Use only a 3-conductor or a 4-conductor UL-listed range cord. These cords may be provided with ring terminals on wire and a strain relief device.
- A range cord rated at 40 amps with 125/250 minimum volt range is required. (A 50 amp range cord is not recommended but if used, it should be marked for use with nominal 1 $\frac{3}{8}$ " diameter connection openings. Center the cable and strain relief within the knockout hole to keep the edge from damaging the cable.)
- Because range terminals are inaccessible when the range is in position, flexible conduit/cord must be used.



NOTE

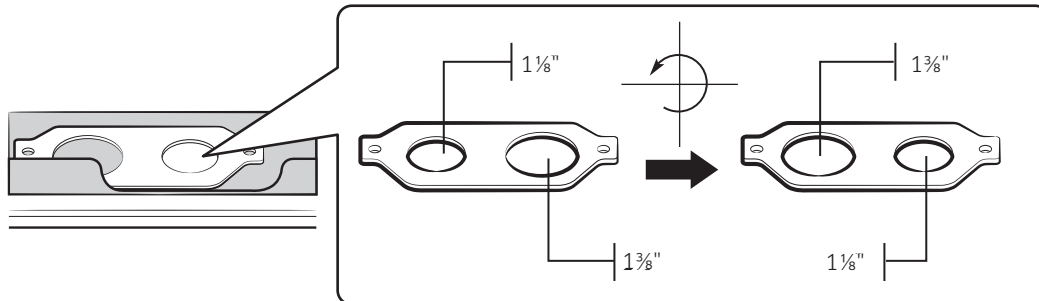
If conduit is being used, see Pg. 23.



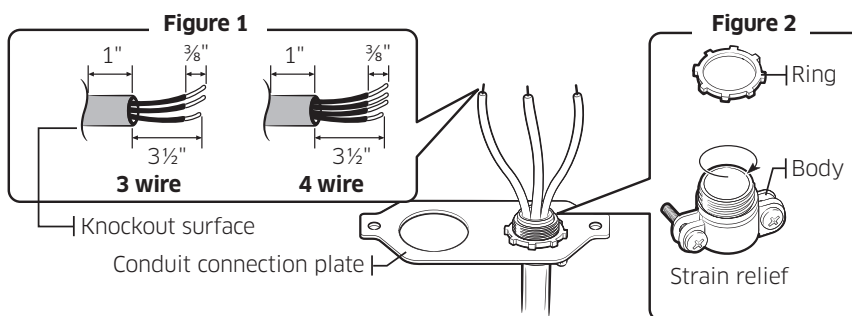
ALL NEW BRANCH-CIRCUIT CONSTRUCTION, MOBILE HOMES, RECREATIONAL VEHICLES, AND INSTALLATIONS WHERE LOCAL CODES PROHIBIT GROUNDING THROUGH NEUTRAL, REQUIRE A 4-CONDUCTOR UL-LISTED RANGE CORD.

Installing the Flexible Conduit

Remove the conduit connection plate from the rear of the drawer body, and flip it as shown. (Use the 1½" hole.)



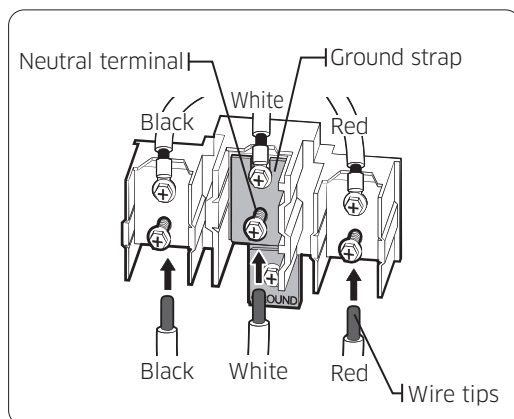
1. Prepare the conduit cord (Figure 1).
2. Install the conduit cord (Figure 2).



Conduit installations: Insert the strain relief (not included) in the 1½" conduit hole, thread the conduit cord through the body of the strain relief, and fasten the ring, then reinstall the bracket.

Installing a 3-wire Conduit

- Aluminum building wire may be used but must be rated for the correct amperage and voltage. Connect wires according to Step 4 depending on the number of wires.
- Wire used, location/enclosure of splices, etc., must follow good wiring practices and local codes.

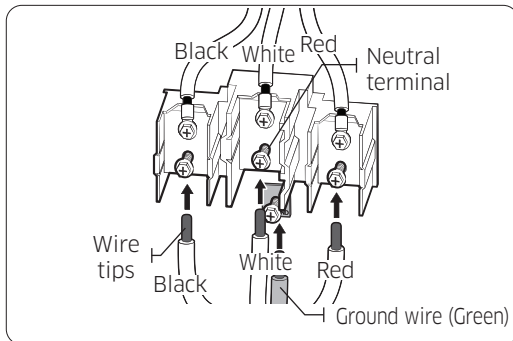
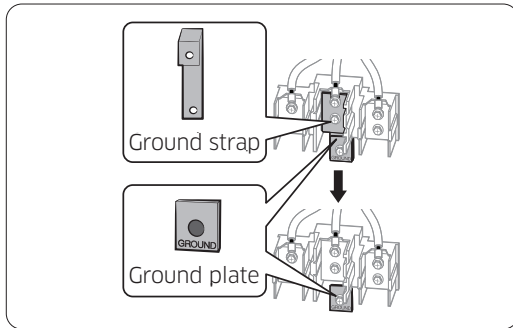


1. Loosen the three lower screws on the terminal block.
2. Insert the white/neutral bare wire tip through the bottom-center block opening. (Some models: the wire inserted through the ground-strap opening into the bottom-center block opening.)
3. Insert the left and right wire tips into their respective block openings.
4. Tighten the screws to 35 - 50 in.-lbs. (Any tighter may damage the wires.)

Installation Instructions

Installing a 4-wire conduit

- Aluminum building wire may be used but it must be rated for the correct amperage and voltage. Connect wires according to this Step 4 depending on the number of wires.
- Wire used, location and enclosure of splices, etc., must conform to good wiring practices and local codes.



1. Loosen the 3 lower screws on the terminal block. Remove and retain the ground screw and ground plate.
2. Cut and discard the ground strap. Do not discard any screws.
3. Insert the ground bare wire tip between the range frame and ground plate (removed earlier), and secure it with the ground screw (removed earlier).
4. Insert the wire (white/neutral) tip through the bottom center of the block opening.
5. Insert the left and right wire tips into their respective block openings.
6. Tighten the screws to 35 - 50 in.-lbs. (Any tighter may damage the wires.)

Gas Connection

WARNING

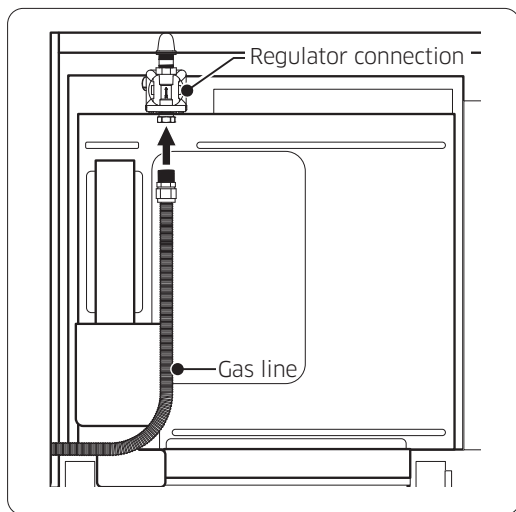
- Turn off the gas-supply valve, and turn off power to the range at the circuit breaker or fuse box before connecting the gas line.
- Do not apply excessive pressure when tightening gas connections and fittings.
- Do not use Teflon tape or plumber's putty on gas flex-line connections.
- Maximum gas-supply pressure to the regulator must not exceed $\frac{1}{2}$ psi (pounds per square inch) or 3.5 kPa.
- The range and shut-off valve must be disconnected from the gas-supply piping for pressure testing that exceeds $\frac{1}{2}$ psi (3.5 kPa).
- The range must be isolated from the gas-supply piping by closing the shut-off valve for pressure testing at or below $\frac{1}{2}$ psi (3.5 kPa).
- Check all gas lines for leaks as instructed to avoid fire/explosions hazard. Do not check for leaks with a flame.

NOTE

The gas-pressure regulator is factory set for the type of gas used with the range. To verify that the range is compatible with the available gas, see the rating label (oven left door trim). Consult your dealer if the range is incompatible with the supplied gas.

About Oven Functions

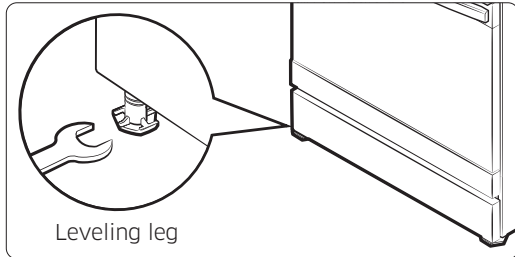
Before sliding the range into the cabinet



1. Turn off the gas-supply valve, and turn off power to the range.
2. Connect a flexible gas line to the shut-off valve installed on the stub out. The line must be long enough that the range can be pulled out for service without disconnecting the line.
3. Slide the gas line up through the chassis' access holes to the regulator. (Move the wires inside the access holes to keep them from catching on the gas line.)
4. Connect the gas line to the regulator.
5. Turn off all cooktop controls, then turn on the gas supply.
6. With a soap-and-water solution, check all lines and connections for leaks.
7. Turn off the gas-supply valve.

Installation Instructions

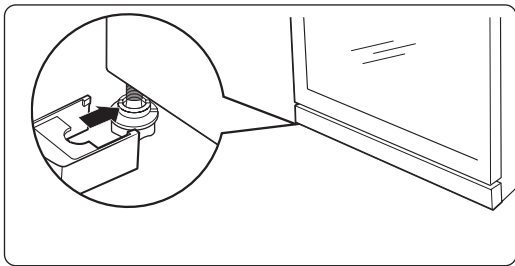
Final Installation



1. Make sure the range is positioned where you want it.
2. Using a wrench, level the range by turning the front leveling legs in or out as necessary. Counterclockwise shortens the leg and lowers the range. Clockwise lengthens the leg and raises the range.

NOTE

- Adjusting the two front legs is usually sufficient, but adjust all four legs if necessary.
 - Adjust the leveling legs only as far as necessary to level the range. Extending the leveling legs more than necessary or removing legs can cause the range to be unstable.
3. If range is next to or between cabinets, make sure the cooktop (without the surface burner grates) is level with the countertops.
 4. Position an oven rack in the center rack position.
 5. Check the level of the range with a carpenter level using the two positions shown at right.
 6. After the range becomes level, slide the range away from the wall so that the anti-tip bracket can be installed.
 7. After installing and leveling the range, install front leg covers (right and left).



Reinstalling the Oven Door(s)

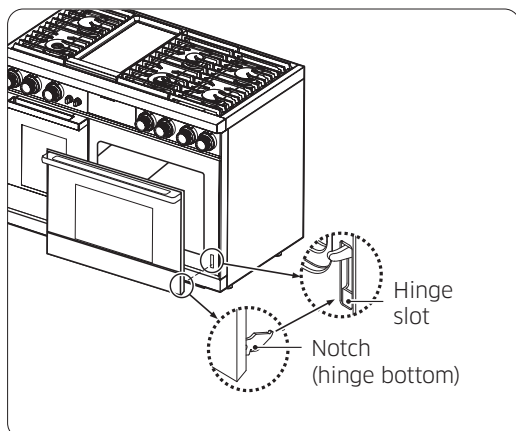
WARNING

To avoid personal injury or damage to the door from it falling off its hinges:

- Make sure that the notch on the bottom of each hinge rests on the lower lip of each hinge receptacle before trying to open the oven door.
 - Flip the hinge locks toward the front of the range immediately after installation of the door.
1. Grasp the oven door on both sides, and hold it at a 15° angle from the front of the oven. Slide the hinges into their slots, resting the bottom of the hinge arms on the hinge receptacles. Maintain the 15° angle with one hand while pushing in on each bottom corner of the door, until the notch on the bottom of each hinge slips over the lower lip of each hinge receptacle.

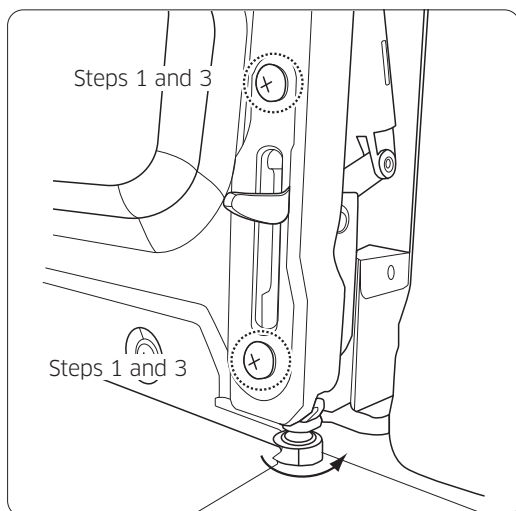
NOTE

Wire connector under the right side of the door should be connected.



2. Lower the door to the fully opened position.
3. Rotate the two hinge locks toward the oven.
4. Slowly and carefully open and close the door completely to ensure that it is properly installed.
5. Remove any packaging from inside the oven(s).

Adjusting the Door

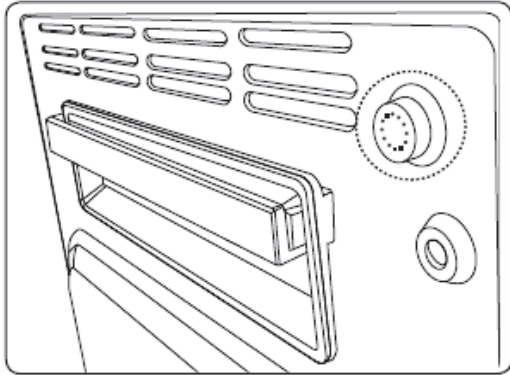


Ensure the oven doors are parallel and flush. To do this, use the three bolts (one on the right- upper side, and one under the each hinge). The upper bolt adjusts the door horizontally. The lower two bolts adjust the door vertically.

To adjust door vertically:

1. Remove the door, then remove 2 screws on each door-hinge latch.
2. Adjust the bolt under each latch.
3. Re-attach and tighten the 2 screws.
4. Re-install the door.

Installation Instructions



NOTE

Lifting the door-hinge latches too much makes fastening the two screws difficult.

Installing the Burner-Control Knobs

WARNING

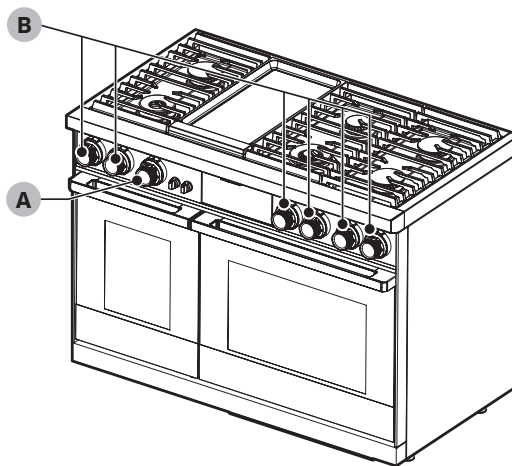
Installing the range knobs in the wrong position may result in damage to the griddle included with the range. The knobs for the center burners are marked with the maximum griddle settings.

NOTE

When installing the knobs, align the "D" shaped opening on the back of the knob with the end of the valve shaft. Gently push the knob on until it stops.

Two types of knobs come with the range: Griddle (no flame icon) and burner.

1. Put the griddle knob on Position **A**.
2. Put the remaining knobs on Position **B**.

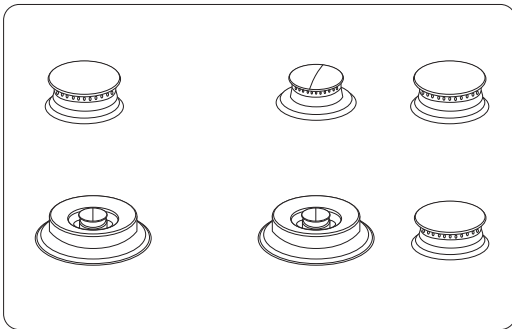


Rangetop Assembly

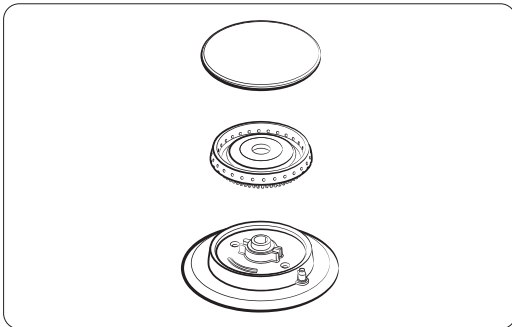
Assembling the Burners

 **CAUTION**

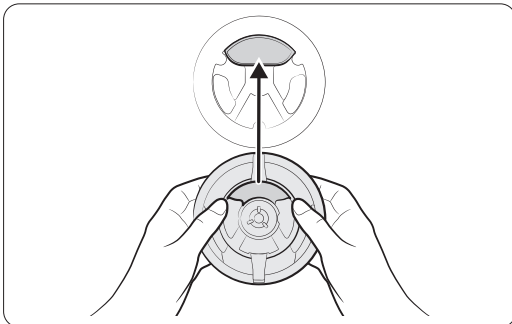
- Do not operate the rangetop burners unless properly assembled.
- Do not push in a rangetop knob while removing the burner; a slight electrical shock might result.
- Do not remove the top or touch a burner electrode while another burner is on.



1. Place the burner heads on the burner bases as shown at left. (The electrodes fit in the slot in the bottom of the heads.) The heads should be flat and parallel to the rangetop.
2. Place the matching size caps on top of each rangetop burner head.

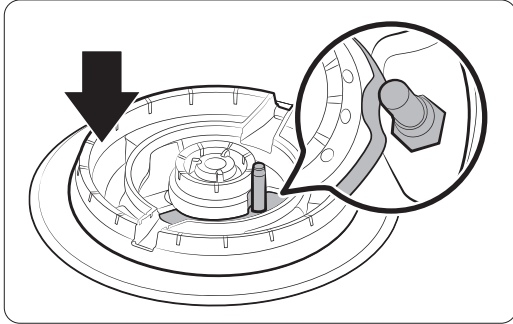


Dual Burner Head/Cap

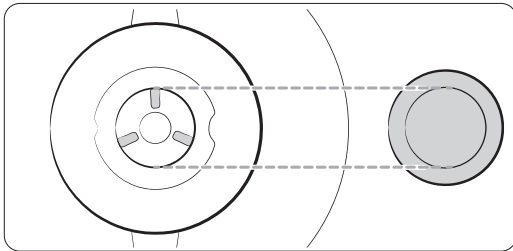


1. Orient the burner head so the electrode opening aligns with the electrode.

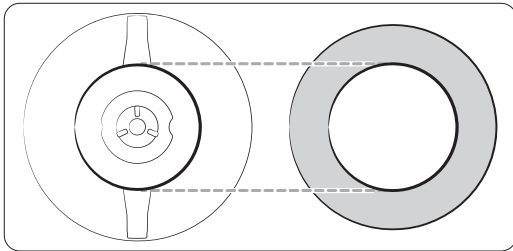
Installation Instructions



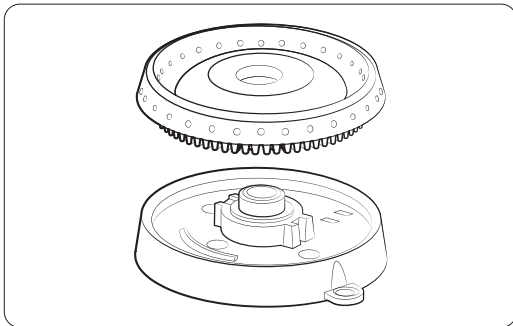
2. Install the burner head so the electrode passes through its opening in the head. Ensure the burner head lies flat atop the base.



3. Match the burner caps to the burners by size, then install the caps on the heads.



Round Burner Head/Cap



1. Put the burner heads on the burner bases as shown at left. The bottom of the head fits within the burner base.
2. Turn the head until it drops into place. Twist the head back and forth slightly to ensure it is properly seated.
3. Put the burner caps (brass or porcelain) atop the burner heads. The ridge around the bottom edge of the cap fits around the top of the burner head.

CAUTION

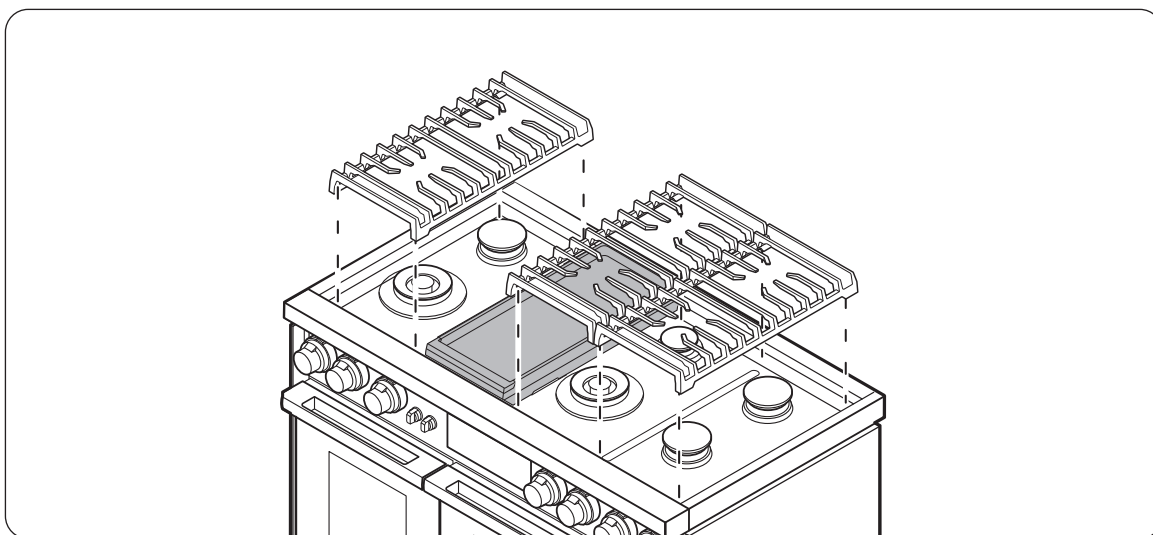
Ensure all burner components (heads and caps) rest flat and snugly in place.

Installing the Grates

For best results and longest life, install the grates as instructed. When installed properly, the openings in the grates are centered over the burners. The grates occupy specific positions on the rangetop. For maximum stability and safe operation, these grates should only be used in their proper positions. The back of the right grate is notched to help orient the grates correctly. (See the graphic below.)

To correctly position the grates:

1. Find the notch on the back of the right-hand grate, and orient the grate properly above the righthand burners.
2. Gently lower the right-hand grate so its legs rest in the corresponding dimples on the cooktop.
3. Likewise place the remaining grates so their feet rest in the corresponding dimples.



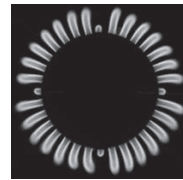
NOTE

Grates are not interchangeable. Each grate has own engraving under it. It tells you which the front side of grate is and proper position, left, center or right.

Installation Instructions

Verifying Proper Operation

1. Before starting the test procedure, turn off all burners, and see that all burner components and grates are properly positioned.
2. Open the gas-supply valve, and check for gas leaks.
3. Turn on power to the range at the circuit breaker or fuse box.
4. Use the oven display to set user preferences and wireless network settings.
5. On the display, tap MENU > BAKE. (The default bake temperature should appear.)
6. Tap Start. In 3 minutes, open the door to see that the oven chamber is heating. (The display should show BAKE and the preheating temperature.)
7. Tap **OFF**.
8. Push a knob in, and turn it counterclockwise to HIGH. (Within 4 seconds, ignition occurs, and the igniter stops sparking. If ignition does not occur as expected, turn off the knob, wait 5 minutes for the gas to dissipate, then retry the test.)
9. After ignition, turn the control knob from HIGH to LOW while watching the flame height. If the range is installed properly, the flame is steady and quiet with a sharp, blue inner cone that varies in length depending on the burner size.
10. Turn the control knob **OFF**.
11. Repeat the ignition test for the remaining burners.



Normal Flame

If the range does not operate properly:

1. Verify that power and gas are supplied to the range.
2. Check the electrical connections and gas supply to verify proper installation.
3. Repeat the above bake test and burner-ignition test.
4. If the range still does not work, contact Dacor Customer Assurance: 833-353-5483 (USA), 844-509-4659(Canada). Be ready with the model/serial numbers. (See the data label is located on the bottom left side of the control panel.)

Do not try to repair the range yourself. Dacor is not responsible for the cost of correcting problems caused by a faulty installation.

Removing and Reinstalling the Range

Removing the Range for Service

1. Close the gas-supply valve.
2. Turn off power to the range at the circuit breaker or fuse box.
3. Pull the range out from the wall.

Reinstalling the Range After Service

1. Push the range into position, engaging the anti-tip bracket.
2. Turn on power to the range at the circuit breaker or fuse box.
3. Open the gas-supply valve.

Installation Checklist

WARNING

The installer should complete this checklist to ensure thorough, proper installation. Proper installation is the responsibility of the homeowner.

- Was the plastic sheeting peeled off the range exterior?
- Was all packaging removed from the oven chamber?
- Do all leveling legs contact the floor? Is the unit level? (Pg. 26)
- Was the range secured with the anti-tip bracket and foot as instructed? (Pg. 19)
- Was the gas-supply inlet pressure measured to ensure it does not exceed the maximums stated in these instructions. (Pg. 17)
- Is the range connected to the gas supply as instructed and according to applicable codes? Was the gas supply checked for leaks? Was the regulator cover re-installed? (Pgs. 24 - 25)
- Is the oven door installed as instructed? (Pgs. 27 - 28)
- Were the burner knobs properly installed? (Pg. 28)
- Are the burners (Pgs. 29 - 30) and grates (Pg. 31) installed as instructed?
- Was proper operation verified?
- Was the warranty activated online or the warranty card filled out and mailed?



Dacor • 14425 Clark Avenue, City of Industry, CA 91745 • Phone: 833-353-5483(USA), 844-509-4659(CANADA) • Fax: (626) 403-3130 • www.dacor.com

dacor

Instrucciones de instalación

Estufa Contemporary Style Pro

DOP48C96D**



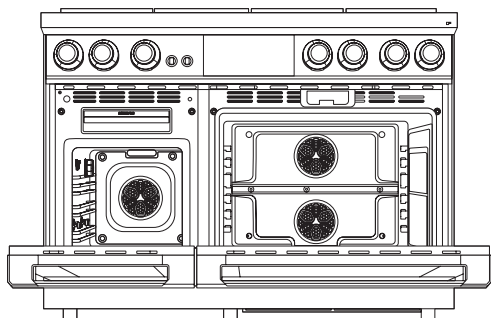
DG68-01511A-00

Contenido

Antes de comenzar	3
Nota importante para el propietario	3
Información de Atención al cliente	3
Instrucciones de seguridad importantes	4
Lea todas las instrucciones antes de usar este artefacto	4
Símbolos en este manual	4
Acerca del dispositivo antinclinación	4
Advertencia de la Propuesta 65 de California	4
Mancomunidad de Massachusetts	4
Instrucciones de seguridad relacionadas con la instalación	5
Especificaciones del producto	10
Qué se incluye (DOP48C96D**)	10
Herramientas y piezas necesarias	11
Requisitos de instalación	12
Lista de verificación previa a la instalación	12
Requisitos generales	12
Requisitos de la ubicación	15
Requisitos de gas	17
Requisitos especiales para el gas (modelos a gas vendidos en Massachusetts)	17
Requisitos eléctricos	18
Instrucciones de instalación	19
Preparación para la instalación	19
Acerca de las funciones del horno	25
Instalación de las perillas de control de los quemadores	28
Ensamblado de la parrilla	29
Verificación de una operación correcta	32
Retiro y reinstalación de la estufa	33
Lista de verificación para la instalación	33

Antes de comenzar

Nota importante para el propietario



Instalador

- Lea este manual antes de instalar la estufa.
- Quite todo el material de empaquetado antes de conectar el suministro eléctrico y de gas.
- Cumpla todos los códigos y las ordenanzas vigentes.
- Lea este manual con el propietario y escriba los números de modelo y de serie de la unidad en su interior para tener una referencia fácil. La instalación de este artefacto requiere habilidades mecánicas básicas.
- El propietario debe procurar la instalación correcta de la estufa. (La falla del producto debido a la instalación incorrecta no está cubierta por la garantía).

Propietario

- Como sucede con cualquier artefacto que genera calor, se deben seguir ciertas precauciones de seguridad.
- Asegúrese de que un instalador o técnico de servicio calificado haya instalado su estufa correctamente.
- Asegúrese de que las paredes cerca de la estufa puedan soportar el calor que esta genera.
- Debe haber un espacio sobre la superficie de la estufa de, al menos, 30" (76,2 cm).
- Conserve este manual para referencia personal y profesional.

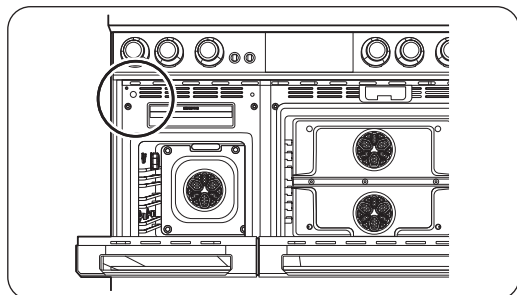
Técnico de servicio

El esquema eléctrico se encuentra conectado a la parte trasera de la estufa.

Información de Atención al cliente

Si desea hacer alguna pregunta o tiene un problema con la instalación, comuníquese con su distribuidor de Dacor o con el equipo de Atención al cliente de Dacor.

Antes de llamar, tenga a mano los números de modelo y de serie de la estufa. (Consulte la etiqueta de información de la estufa: ubicada en la parte inferior izquierda del panel de control).



Atención al cliente de Dacor

833-353-5483 (EE. UU.)

De lunes a viernes, de 8:00 a. m. a 8:00 p. m., hora estándar del Este

844-509-4659 (Canadá)

De lunes a viernes, de 8:00 a. m. a 8:00 p. m., hora estándar del Este

Sitio web: www.dacor.com

Instrucciones de seguridad importantes

LEA TODAS LAS INSTRUCCIONES ANTES DE USAR ESTE ARTEFACTO

- Para evitar daños a la propiedad, lesiones personales o la muerte, siga las indicaciones de este manual.
- Los equipos eléctricos y de gas con piezas móviles pueden ser peligrosos. Las instrucciones de seguridad importantes de este manual tienen por objeto minimizar el riesgo de daños a la propiedad, lesiones personales y la muerte. Lea estas instrucciones.
- Conserve este manual en un lugar accesible para su referencia.

Símbolos en este manual

Siga estos símbolos e íconos de advertencia explícitamente para evitar daños a la propiedad y lesiones personales.

ADVERTENCIA

Peligros o prácticas poco seguras que pueden provocar lesiones personales graves o la muerte.

PRECAUCIÓN

Peligros o prácticas poco seguras que pueden provocar descargas eléctricas, lesiones personales o daños a la propiedad.

NOTA

Instrucciones y sugerencias útiles.

Acerca del dispositivo antiinclinación



ADVERTENCIA

Todas las estufas pueden inclinarse y causar lesiones personales o la muerte. Para evitar la inclinación accidental, instale y revise la ménsula antiinclinación.

- Después de instalar la ménsula antiinclinación (consulte Instalación del dispositivo antiinclinación), verifique que la haya instalado correctamente inclinando la estufa hacia adelante. El dispositivo antiinclinación debería mantener la estufa en su lugar.
- Cuando la estufa vuelve a ponerse en su lugar después del mantenimiento, asegúrese de reconectar el dispositivo antiinclinación.
- Para evitar daños a la propiedad o personales, no se siente, se pare ni se apoye en la estufa.
- Vuelva a enganchar el dispositivo antiinclinación si la estufa se mueve.

Advertencia de la Propuesta 65 de California

ADVERTENCIA

Cáncer y daño reproductivo: www.P65Warnings.ca.gov

Mancomunidad de Massachusetts

Quien instale este producto debe ser un plomero autorizado o un gasista calificado o autorizado del estado de Massachusetts. Cuando se utilicen válvulas de bola para el cierre del gas, se debe usar una manija en forma de "T". No se deben conectar varios conductos flexibles de gas en serie.

Instrucciones de seguridad relacionadas con la instalación

Esta sección consiste de instrucciones de seguridad generales y específicas relacionadas con la instalación de la estufa.

ADVERTENCIA

Lea estas instrucciones con atención para reducir el riesgo de daños a la propiedad, incendio, lesiones personales y la muerte, y para garantizar la correcta instalación.

Seguridad general

- No toque la estufa mientras cocina ni inmediatamente después.
- Aprenda dónde está y cómo abrir y cerrar la válvula de suministro de gas de la estufa.
- Utilice únicamente agarradores aislantes secos.
- No permita que los niños se sienten o se pongan de pie sobre la estufa ni que jueguen con ninguna de sus piezas. No deje a los niños sin supervisión cerca de donde se esté usando la estufa.
- Quite todo el empaquetado antes de usar la estufa y deshágase de él de forma segura e inmediata.
- Mantenga el empaquetado lejos de los niños.
- No deje objetos que puedan despertar el interés de los niños sobre la estufa ni a su alrededor.
- No utilice la estufa si está dañada, si funciona de manera incorrecta o si le faltan piezas.
- No utilice papel de aluminio o cubiertas para horno en ninguna parte del horno.
- No caliente alimentos en envases cerrados.
- No golpee el vidrio del horno.
- Cuando se deshaga de la estufa, corte el cable de alimentación y quite la puerta.
- Cierre el suministro de gas y desconecte la estufa antes del servicio técnico o el mantenimiento.
- Cocine carne roja a una temperatura interna de 160 °F (71 °C) y pollo a 180 °F (82 °C).
- Las campanas o cortinas de aire que funcionan dirigiendo el flujo de aire hacia la estufa deben usarse solo si fueron diseñadas y probadas de acuerdo con la norma para estufas domésticas a gas, ANSI Z21.1 • CSA1.1, y si figuran en la lista de un laboratorio de análisis independiente como aptas para uso combinado.
- Nunca utilice la estufa para calentar el ambiente.

Seguridad contra incendios

- No almacene/coloque/utilice materiales combustibles (por ej., papel, plástico, agarradores aislantes, ropa de cama, gasolina, alcohol) cerca del artefacto.
- No use prendas amplias ni colgantes mientras utiliza la estufa.
- No permita que los guantes protectores ni otro material inflamable toquen un elemento caliente. No utilice una toalla ni otra tela voluminosa como agarrador aislante.
- No intente apagar un incendio provocado por grasa con agua; apague el quemador y extinga el incendio con una tapa bien ajustada o use un extinguidor multipropósito, de productos químicos secos o de espuma.
- Para incendios dentro del horno, mantenga la puerta cerrada y presione **OFF** (APAGADO). No abra la puerta hasta que se extinga el fuego. Si es necesario,
- use un extinguidor multipropósito, de productos químicos secos o de espuma.
- No caliente recipientes sellados; la presión puede hacer estallar el recipiente y causar lesiones.

Instrucciones de seguridad importantes

⚠ ADVERTENCIA

Lea estas instrucciones con atención para reducir el riesgo de daños a la propiedad, incendio, lesiones personales y la muerte, y para garantizar la correcta instalación.

Seguridad del gas

Si hay olor a gas:

- no use la estufa y cierre la válvula de gas;
- no prenda fósforos, velas ni cigarrillos;
- no encienda artefactos a gas o eléctricos;
- no conecte un cable de alimentación ni toque un interruptor eléctrico;
- no use ningún teléfono dentro del edificio;
- evacúe el edificio;
- llame inmediatamente a su proveedor de gas desde el teléfono de un vecino y siga las instrucciones del proveedor;
- si no puede comunicarse con el proveedor de gas, llame al departamento de bomberos.

Verificación de pérdidas de gas

Verifique si hay pérdidas en la estufa según las indicaciones del fabricante. No utilice una llama para verificar si hay pérdidas de gas. Utilice un cepillo para esparcir una solución de agua jabonosa alrededor del área en cuestión. Si hay una pérdida de gas, aparecerán pequeñas burbujas en la solución. Si no está seguro, pida ayuda a un profesional.

Seguridad eléctrica y de conexión a tierra

- No retire la clavija de conexión a tierra.
- No utilice un adaptador ni un alargue.
- No utilice un enchufe, cable o tomacorrientes flojo dañados, ni los modifique.
- No coloque un fusible en el circuito neutral o de conexión a tierra.
- Utilice un disyuntor dedicado de 240 VCA, 60 Hz y 50 A para la estufa de 48" y un disyuntor de 40 A para la estufa de 36". También se recomienda el uso de un fusible de retardo o un disyuntor. Enchufe solo la estufa a este circuito.
- No conecte el cable a tierra a cañerías de tuberías de plástico, de gas o de agua caliente.
- Esta estufa debe estar conectada a tierra. La conexión a tierra reduce el riesgo de descarga eléctrica al proporcionar a la corriente una vía segura. Si no está seguro de que su tomacorrientes está correctamente conectado a tierra, pida a un electricista autorizado que lo revise.
- La estufa tiene un enchufe de 4 clavijas con toma de tierra que debe insertarse en un tomacorrientes de 4 clavijas con toma de tierra que cumpla todas las ordenanzas locales. Si los códigos permiten utilizar un cable de conexión a tierra separado, un electricista calificado debe determinar la vía adecuada.
- El servicio eléctrico para la estufa debe cumplir con los códigos locales. Ante su ausencia, debe cumplir con la versión más reciente del Código Nacional Eléctrico/NFPA n.º 70 (para los EE. UU.) o con el Código Eléctrico de Canadá CSA C22.1 o sus revisiones más actuales.
- El propietario debe asegurarse de que la estufa reciba el servicio eléctrico adecuado.

Esta sección consiste de instrucciones de seguridad generales y específicas relacionadas con la instalación de la estufa.

▲ ADVERTENCIA

Lea estas instrucciones con atención para reducir el riesgo de daños a la propiedad, incendio, lesiones personales y la muerte, y para garantizar la correcta instalación.

Seguridad de la instalación

- Un instalador calificado debe instalar, conectar a tierra o mantener la estufa según las instrucciones de este manual.
- No intente reparar, modificar ni reemplazar la estufa o alguna de sus piezas, excepto que se recomiende específicamente en este manual. Todos los otros servicios técnicos los debe realizar un técnico de servicio calificado.
- Retire toda la cinta y el material de empaquetado.
- Utilice solo conectores flexibles nuevos para instalar la estufa.
- Asegúrese de que el dispositivo antinclinación esté bien instalado (pág. 19).
- Debido al tamaño y peso de la estufa, necesita dos personas o más para moverla.
- Después de desembalar el producto, retire todos los accesorios, teniendo cuidado con las piezas pesadas.
- Asegúrese de que no se suelten piezas durante el transporte.
- Asegúrese de que un técnico de servicio o instalador calificado para el tipo de gas (natural o LP) que utilizará haya instalado y ajustado correctamente la estufa. Para que la estufa use gas LP, el instalador debe sustituir todos los orificios de los quemadores superficiales por el juego de orificios LP suministrado y revertir el adaptador GPR. Estos ajustes deben realizarse según las instrucciones del fabricante y la normativa local. La agencia calificada que realice este trabajo deberá asumir la responsabilidad de la conversión.
- La instalación de esta estufa debe realizarse conforme a los códigos locales o, en su ausencia, a la última edición del Código Nacional de Gas de Combustión, ANSI Z223.1/NFPA.54. En Canadá, la instalación debe realizarse conforme al Código Nacional de Propano y Gas de Combustión actual, CAN/CGA-B149.1, o el Código de Instalación de Propano actual, CAN/CGA-B149.2, y a los códigos locales que correspondan. Esta estufa fue diseñada y certificada por UL de acuerdo con la última edición de ANSI Z21.1/CSA 1.1.

Seguridad de la ubicación

- Instale la estufa en el interior, lejos de lugares donde pueda quedar expuesta al clima, agua y corrientes de aire fuertes.
- Si la estufa se encuentra cerca de una ventana, no cuelgue persianas de papel ni cortinas largas que puedan desplazarse sobre la estufa.
- La estufa se debe instalar dentro del alcance de un tomacorriente de conexión a tierra de 4 clavijas.
- Los revestimientos de las paredes y los muebles alrededor de la unidad deben soportar un calor de hasta 194 °F (90 °C).
- Elija un piso nivelado y resistente que pueda aguantar el peso de la estufa (48" [122 cm]: 564 lb [256 kg]). El piso sintético, como el linóleo, debe aguantar temperaturas de 180 °F (82 °C) sin encogerse, deformarse o decolorarse. La estufa debe estar separada de la alfombra por una lámina de contrachapado de ¼" o un aislante similar.
- La estufa necesita espacio suficiente alrededor del chasis para que sus conductos de ventilación puedan evacuar correctamente el calor y los humos, lo que garantiza un funcionamiento seguro.
- Evite el almacenamiento en los muebles por encima de la estufa. Si es inevitable, deje al menos un espacio libre de 30" (76,2 cm) entre la superficie de cocción y la parte inferior de los gabinetes o instale una campana que se proyecte al menos 5" (12,7 cm) más allá de la parte inferior del gabinete.

Instrucciones de seguridad importantes

Esta sección consiste de instrucciones de seguridad generales y específicas relacionadas con la instalación de la estufa.

ADVERTENCIA

Lea estas instrucciones con atención para reducir el riesgo de daños a la propiedad, incendio, lesiones personales y la muerte, y para garantizar la correcta instalación.

Seguridad de la placa de cocción

- Apague todos los quemadores si no está usando la estufa.
- No utilice papel de aluminio para cubrir las rejillas ni ninguna parte de la placa de cocción.
- No deje los quemadores sin supervisión en configuraciones de calor medio o alto.
- Antes de encenderlos, asegúrese de que los quemadores y sus tapas estén en su lugar.
- Use LITE (el símbolo con la llama) para encender un quemador. Si el quemador no permanece encendido, **OFF** (apaguelo) y espere 5 minutos hasta que el gas se haya disipado y vuelva a intentarlo.
- Cuando coloque un quemador a fuego lento, gire la perilla lentamente; asegúrese de que permanezca encendido.
- Solo coloque utensilios de cocina sobre la placa de cocción.
- La placa de cocción está diseñada para cocinar con un wok o un anillo para wok.
- Cocine alimentos solo debajo de una campana de ventilación activa.
- Antes de quitar los utensilios, apague el quemador y quite los alimentos o los utensilios cuando haya terminado de cocinar.
- Los quemadores deben estar apagados y todas las superficies deben haberse enfriado antes de retirar las rejillas y las partes del quemador. Después de limpiar el cabezal del quemador, séquelo por completo antes de volver a ensamblarlo.
- Ensamble el distribuidor del quemador doble de forma que la marca de la chispa esté al lado del electrodo.
- No vierta agua ni otros líquidos en la placa de cocción.
- Elija utensilios que estén diseñados para placas de cocción y que cubran la rejilla. Las llamas del quemador deben quedar totalmente cubiertas por los utensilios.
- No use utensilios que sean mucho más grandes que la rejilla.
- Aleje las manijas de los utensilios de los quemadores activos y el borde delantero de la placa de cocción.
- Para freír, caliente el aceite despacio y supervise la operación. Cuando deba freír a altas temperaturas, párese a una distancia segura y supervise el aceite constantemente. Si combina grasas y aceites al freír, mézclelos antes de calentarlos.
- Cuando sea posible, utilice un termómetro para freidoras para no calentar el aceite pasando el punto de humeo.
- Fría con la menor cantidad de aceite posible. Descongele completamente los alimentos antes de freírlos; no fría alimentos helados o demasiado fríos. Deje que el aceite y la grasa se enfrien a temperatura ambiente antes de mover los utensilios.
- Para evitar la ebullición eruptiva retrasada, deje que el aceite y la grasa permanezcan al menos 20 segundos después de que apague el quemador para estabilizar la temperatura.

Esta sección consiste de instrucciones de seguridad generales y específicas relacionadas con la instalación de la estufa.

▲ ADVERTENCIA

Lea estas instrucciones con atención para reducir el riesgo de daños a la propiedad, incendio, lesiones personales y la muerte, y para garantizar la correcta instalación.

Seguridad del horno

- No utilice el horno para fines que no sean de cocina, como secar ropa o almacenar objetos. Utilice el horno solo para cocinar.
- Asegúrese de que las parrillas del horno se encuentren al mismo nivel en cada lado.
- No rocíe agua sobre el vidrio del horno mientras este se encuentre encendido ni inmediatamente después de apagarlo.
- No limpie la junta de la puerta.
- No forre ni revista ninguna parte del horno con papel de aluminio o un material similar.
- Cuando use el horno, párese a un lado al abrir la puerta.
- No deje que se acumule grasa en el horno.
- Asegúrese de que el horno esté completamente frío antes de ajustar las parrillas.
- No coloque objetos plásticos dentro del horno.
- Para evitar dañar las perillas de control del quemador o el control del horno, siempre hornee o ase a la parrilla con la puerta del horno cerrada.
- No ponga la carne demasiado cerca del elemento de asado y quite el exceso de grasa antes de cocinar.
- Use bolsas aptas para cocinar indicadas por el fabricante de las bolsas.
- No utilice limpiadores abrasivos o cepillos metálicos para limpiar el vidrio de la puerta del horno.
- No intente operar el horno durante un apagón eléctrico.
- Si hay una falla eléctrica, apague el horno. Si el horno no está apagado y vuelve la electricidad, es posible que el horno vuelva a funcionar. Los alimentos desatendidos podrían incendiarse o estropearse.

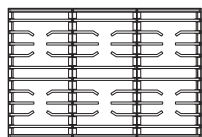
Seguridad del modo Autolimpieza

- Durante la autolimpieza, el horno funciona a unos 800 °F (427 °C). No toque ninguna superficie de la estufa durante un ciclo de autolimpieza y mantenga a los niños alejados del horno.
- Antes de comenzar el ciclo de autolimpieza, quite la grasa y los restos de alimentos del horno. (El exceso de grasa puede causar incendios y, por lo tanto, daños por humo).
- Antes de comenzar el ciclo de autolimpieza, quite todas las rejillas y los utensilios del horno. Solo se pueden dejar rejillas recubiertas en porcelana.
- Párese a un lado del horno cuando abra la puerta del horno después de la autolimpieza.
- Si el ciclo de autolimpieza funciona mal, apague el horno y el disyuntor y comuníquese con un técnico de servicio calificado.
- Los humos que se liberan durante el ciclo de autolimpieza pueden ser dañinos o letales para las aves de compañía. Lleve las aves a otra habitación alejada y bien ventilada.
- No utilice limpiadores de hornos comerciales ni revestimientos protectores en el interior o el exterior del horno.

Especificaciones del producto

Qué se incluye (DOP48C96D**)

La estufa incluye la tapa del quemador de latón o de porcelana, para adaptarse a las preferencias del cliente.



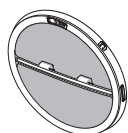
Rejillas (3)



Cabezales de los quemadores (6)
y tapas de los quemadores (8)



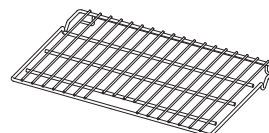
Parrillas deslizantes (2)



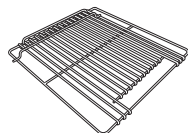
Filtros de convección (3)



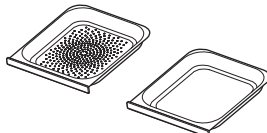
Sondas de temperatura (2)



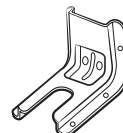
Parrilla metálica (1)



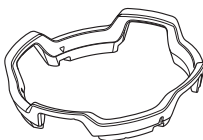
Parrilla pequeña (1)*



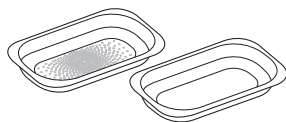
Bandejas de vapor (2)*



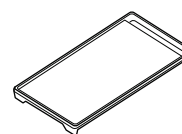
Ménsula antinclinación (1)



Anillo para wok (1)



Medias bandejas de vapor (2)*



Comal (1)

* Solo para hornos a vapor

Herramientas y piezas necesarias

Piezas necesarias



Válvula de cierre en la tubería de gas



Conector flexible metálico de 1/2" (1,3 cm) (diámetro interior) × 5 ft (1,5 m)



Adaptador de unión cónica de 3/4" (1,9 cm) (NPT) × 1/2" (1,3 cm) (diámetro interior)



Codo de 135 grados (opcional)



Tirafondo o anclaje de manguito de 1/2" (1,3 cm) (diámetro exterior)



Adaptador de unión cónica de 1/2" (1,3 cm) (NPT) × 1/2" (1,3 cm) (diámetro interior)

Herramientas necesarias



Destornillador de punta plana



Destornillador Phillips



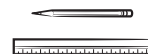
Llave de boca fija o ajustable



Llave Stillson (2)



Llave para tuercas



Lápiz y regla



Nivel



Compuesto de unión de tuberías



Navaja multiuso



Solución de agua jabonosa



Perfore con una mecha de 1/8" (0,3 cm) o 3/16" (0,5 cm)

Requisitos de instalación

Lista de verificación previa a la instalación

1. Antes de instalar la estufa, lea detenidamente este manual.
2. Prevea una ubicación en la que la estufa no esté expuesta a fuertes corrientes de aire.
3. Retire el empaquetado, las cajas de la rejilla, el regulador con la información y el paquete de información de la estufa, y verifique que todos los artículos estén presentes antes de comenzar la instalación.

Requisitos generales

Distancias y dimensiones

- Para estufas de gas sobre la cocina (OTR), siga el código de gas local.
- Para un funcionamiento seguro, deje un espacio adecuado entre la estufa y las superficies combustibles. La ubicación del tomacorriente y la tubería de gas puede ajustarse para cumplir con las distancias y dimensiones de este manual.
- La estufa puede instalarse al ras de la pared trasera. Debe instalarse un material no combustible en la pared trasera entre la estufa y la campana. No es necesario instalar material no combustible directamente detrás de la estufa. Las aberturas en la pared detrás de la estufa o en el suelo debajo deben sellarse.
- Solo para Canadá: Una estufa independiente deberá instalarse a una distancia mínima de 4,7" (12 cm) de todas las superficies adyacentes.

PRECAUCIÓN

La estufa cumple con la temperatura máxima admisible para gabinetes de madera de 194 °F (90 °C). Asegúrese de que el revestimiento de las paredes, las mesadas y los gabinetes adyacentes puedan soportar esta temperatura para evitar alteraciones de color, deslaminación o derretimiento.

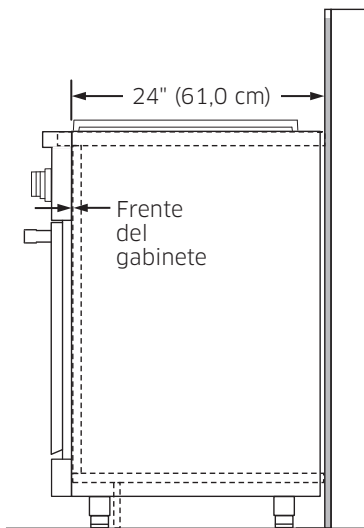
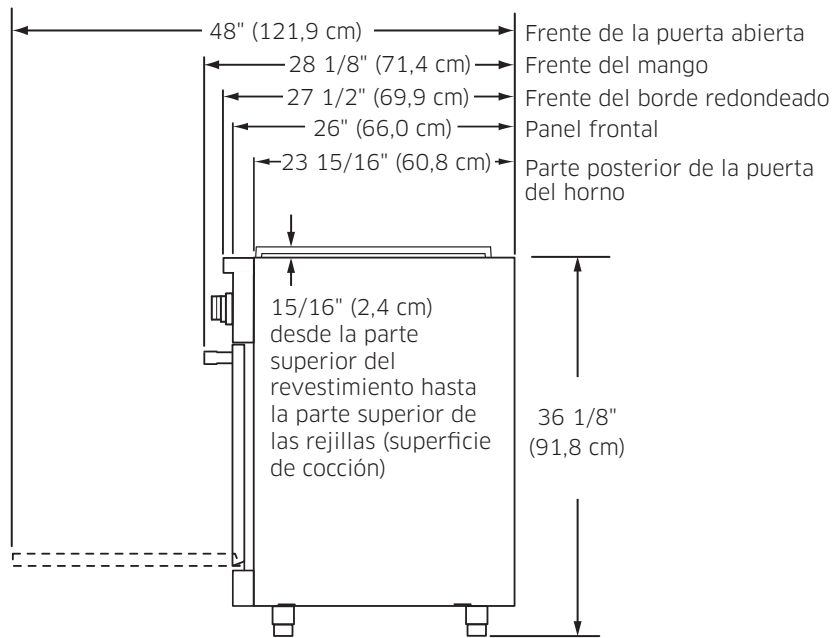
Dimensiones mínimas

ADVERTENCIA

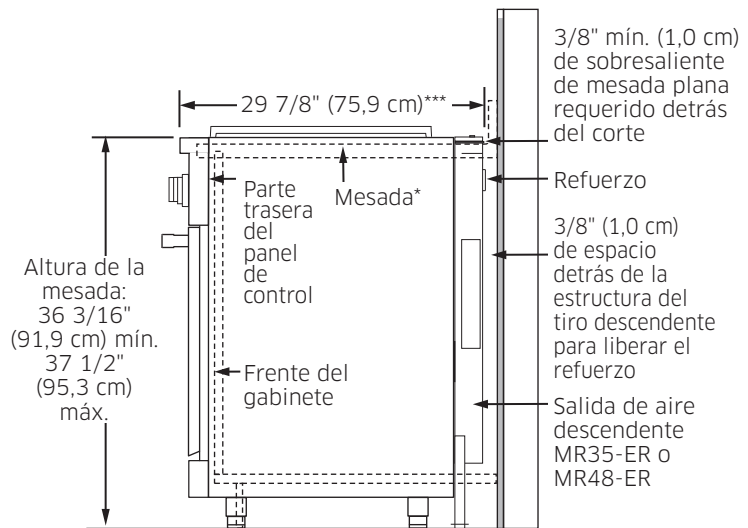
En cuanto a los gabinetes superiores, debe instalarse una campana que sobresalga al menos 5" (12,7 cm) de la cara del gabinete para disipar el calor. La campana debe ser de chapa metálica de un grosor mínimo de 0,0122". Instale la campana con una separación mínima de 1/4" entre ella y la parte inferior del material combustible o del armario metálico. La campana debe ser al menos tan ancha como la estufa y estar bien centrada por encima. La distancia entre la superficie de cocción y la superficie de la campana de ventilación no debe ser inferior a 24" (61 cm). (Para artefactos de cocción encima de la estufa, siga los criterios de instalación del artefacto).

- 30" (76,2 cm) de distancia mínima entre la parte superior de la superficie de cocción y la parte inferior de un gabinete de madera o metal sin protección; o si no es posible una distancia de 30" (76,2 cm), se puede utilizar un mínimo de 24" (61 cm) cuando la parte inferior del gabinete de madera o metal esté protegida por no menos de 1/4" (0,64 cm) de cartón fresado retardante de llama cubierto con chapa de acero MSG no inferior al acero inoxidable n.º 28 de 0,015" (0,038 cm), aluminio de 0,024" (0,061 cm) o cobre de 0,020" (0,051 cm).
- 18" (45,7 cm) de distancia mínima entre la mesada y el fondo del gabinete adyacente.

Dimensiones del producto. Tolerancias del producto: $\pm 1/16"$ ($\pm 1,6$ mm)
DOP48C96D:** 47 7/8" (121,6 cm) de ancho



Estufa instalada



Estufa instalada con salida de aire descendente

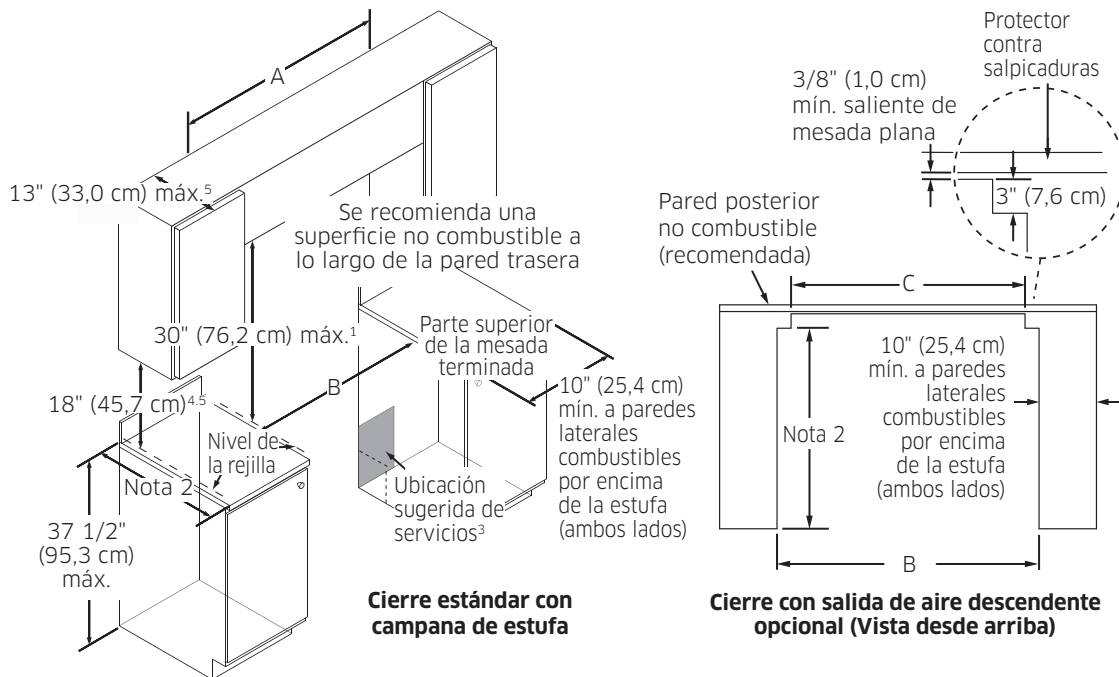
Dimensiones del gabinete

Mantenga todas las dimensiones y distancias máximas y mínimas de los siguientes diagramas para un uso seguro.

Requisitos de instalación

DIMENSIONES DE CIERRE			
Modelo de la estufa	A	B	C
DOP48C96D**	54" (137,2 cm)*; 48" (121,9 cm)**	48" (121,9 cm)**; 48 1/8" (122,2 cm)***	43 1/2" (110,5 cm)

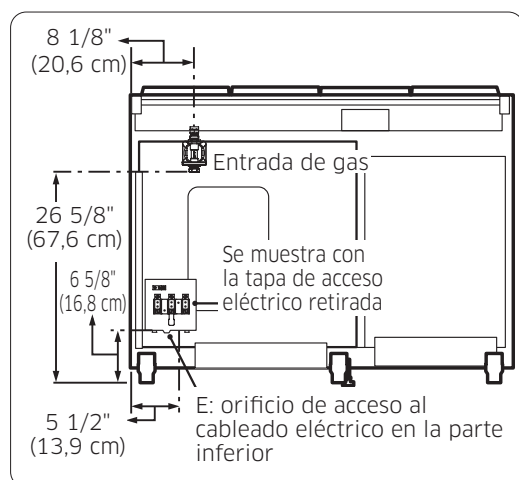
* Recomendado, ** Mínimo, *** Máximo



1. Vertical desde el nivel de la rejilla de la estufa hasta la superficie superior combustible; si instala una campana de techo, consulte las especificaciones de la campana para conocer las distancias mínimas requeridas.
2. La profundidad del gabinete o mesada queda a discreción del cliente, pero la cara del gabinete no debe sobresalir de la parte trasera del panel frontal. (Consulte la sección Dimensiones del producto, pág. 13)
3. Consulte los códigos locales para conocer los requisitos exactos de la ubicación.
4. Vertical desde el nivel de la rejilla hasta la superficie combustible.
5. No se aplica a gabinetes con una distancia horizontal superior a 10" (25,4 cm) desde el borde de la estufa.

Requisitos de la ubicación

DOP48C96D** (trasera)



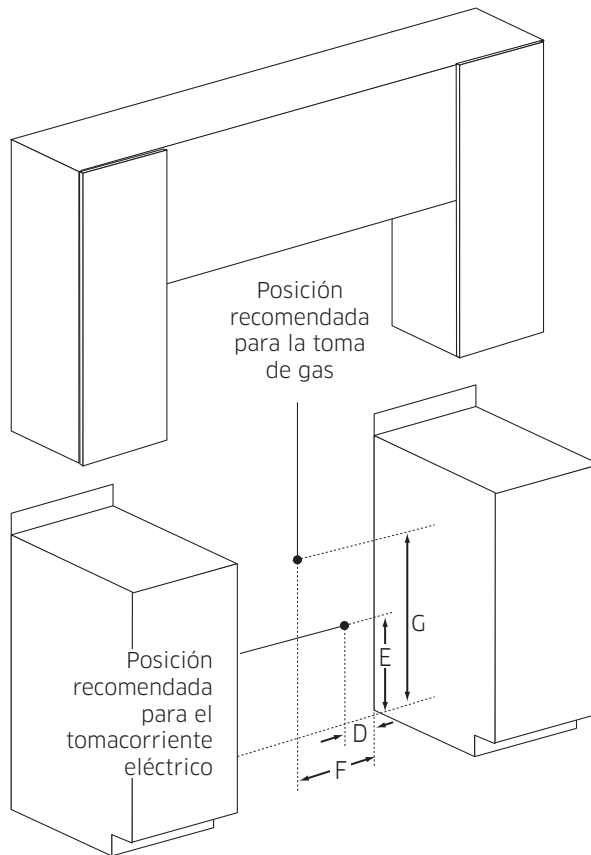
1. Medida con las patas del artefacto ajustadas a la altura más baja.
2. El tamaño del orificio para el cableado eléctrico puede aumentarse a 1 1/8" (2,9 cm) retirando el soporte del conducto en la parte inferior de la caja eléctrica de la estufa.

Requisitos de instalación

Servicio eléctrico y de gas

- Consulte a continuación la ubicación recomendada de la entrada de gas y del receptáculo o de la caja de conexiones eléctricas. Los servicios existentes pueden utilizarse si son compatibles con esta estufa. Compruebe los códigos de construcción locales para conocer las ubicaciones permitidas de las válvulas de gas.
- Debe instalarse una válvula de cierre manual externa entre la entrada de gas y la estufa para poder abrir y cerrar el suministro de gas de la estufa. La instalación debe permitir el acceso a la válvula de cierre del gas cuando la unidad esté instalada y el acceso al panel de disyuntores o la caja de fusibles remotos sin mover la estufa.
- La tubería de suministro de gas y la válvula de cierre, así como el receptáculo o la caja de conexiones eléctricas, deben estar ubicados de manera que no interfieran en la estufa cuando esté instalada.
- La caja de conexiones y la válvula de cierre del gas deben estar situadas de forma que la estufa pueda extraerse para su mantenimiento sin necesidad de desconectarla.

Modelo	D	E	F	G
DOP48C96D**	5 1/2" (13,9 cm)	6 5/8" (16,8 cm)	8 1/8" (20,6 cm)	26 5/8" (67,6 cm)



Requisitos de gas

Proporcionar suministro de gas adecuado

La instalación de este horno debe realizarse conforme a los códigos locales o, en su ausencia, al Código Nacional de Gas de Combustión, ANSI Z223.1/NFPA.54.

La placa de cocción de esta estufa está diseñada para funcionar a una presión de colector de 5" (13 cm) de columna de agua para gas natural/gas natural a gran altitud (NG-H) o 10" (25,4 cm) de columna de agua para LP (propano)/LP a gran altitud (LP-H).

Verifique que el horno sea adecuado para el servicio de gas suministrado.

Al verificar la función del regulador, la presión de entrada debe ser al menos 1" (2,5 cm) mayor que la presión de funcionamiento (colector) determinada.

REQUISITOS DE PRESIÓN DEL SUMINISTRO DE GAS*		
Tipo de gas	Presión mínima del colector	Presión mínima del suministro de gas**
Gas natural	5" de columna de agua	6" de columna de agua
Gas LP (propano)	10" de columna de agua	11" de columna de agua

* La presión de suministro de gas para probar el ajuste del regulador será de al menos 1" de columna de agua (249 Pa) por encima de la presión del colector especificada.

** Presión máxima del suministro de gas para todos los modelos: 1/2 psi.

NOTA

- El regulador de presión ubicado en la entrada del colector de la placa de cocción debe permanecer en la tubería de suministro, independientemente de si se usa gas natural o LP.
- Utilice solo el regulador de la estufa, que debe instalarse en la tubería de gas que se extiende desde la entrada de gas de la placa de cocción hasta la válvula de cierre.
- Debe instalarse una válvula de cierre manual externa entre la entrada de gas y la estufa, con el fin de abrir y cerrar el paso de gas al artefacto.
- Asegúrese de que un instalador calificado instale los conectores.
- Para evitar pérdidas y lesiones personales, nunca instale conectores usados en un producto nuevo. Utilice solo conectores nuevos y flexibles.

Requisitos especiales para el gas (modelos a gas vendidos en Massachusetts)

ADVERTENCIA

- Pueden producirse pérdidas de gas en su sistema, lo que generaría una condición peligrosa. Estas pérdidas pueden no detectarse solo por el olor, por lo que los proveedores de gas recomiendan instalar un detector de gas aprobado por UL según las especificaciones del fabricante.
- Quien instale esta estufa debe ser un plomero o un gasista matriculado por el estado de Massachusetts.
- Se DEBE instalar una válvula de gas manual con manija en forma de "T" en el conducto de suministro de gas de la estufa.
- Si utiliza un conector de gas flexible, no deben conectarse varios conductos flexibles de gas en serie.

Requisitos de instalación

Requisitos eléctricos

Siga estas instrucciones para reducir el riesgo de daños a la propiedad, lesiones personales o la muerte.

ADVERTENCIA

Es responsabilidad del propietario verificar que el servicio eléctrico cumpla los requisitos eléctricos y que un electricista autorizado haya instalado correctamente el tomacorriente.

Todas las estufas

- Enchufe la estufa a un tomacorriente de conexión a tierra de 3 clavijas.
- **No retire** la clavija de conexión a tierra.
- **No utilice** un adaptador ni un alargue.
- **No utilice** un enchufe ni cable de alimentación dañados ni un tomacorriente flojo.
- **No modifique** el enchufe, el cable de alimentación ni el tomacorriente.
- **No coloque** un fusible en el circuito neutral o de conexión a tierra.
- Utilice un disyuntor dedicado de 240 VCA, 60 Hz y 50 A para esta estufa. Se recomienda un fusible de retardo o un disyuntor. No enchufe más de un artefacto en este circuito.
- **No conecte** el cable a tierra a cañerías de tuberías de plástico, de gas o de agua caliente.
- Esta estufa **debe estar conectada a tierra**. Si la estufa funciona incorrectamente o se rompe, la conexión a tierra reduce el riesgo de descarga eléctrica, lo que facilita un camino seguro para la corriente. El cable de alimentación de la estufa tiene un enchufe de conexión a tierra, que debe estar conectado firmemente a un tomacorriente que esté correctamente instalado y conectado a tierra de acuerdo con la normativa local. Si no está seguro de que el tomacorriente esté conectado correctamente a tierra, un electricista matriculado debe verificarlo.
- El servicio técnico eléctrico de la estufa debe cumplir los códigos locales. A excepción de los códigos locales, debe cumplir con la versión más reciente de ANSI/NFPA n.º 70 (para los EE. UU.) o con el Código Eléctrico de Canadá CSA C22.1 o su versión más reciente.
- El propietario de la estufa debe garantizar que se preste un servicio técnico eléctrico adecuado.

Instrucciones de instalación

Preparación para la instalación

⚠ ADVERTENCIA

- Si el servicio eléctrico o de gas suministrado no cumple las especificaciones del producto, no proceda con la instalación. Llame al distribuidor, al proveedor de gas o a un electricista autorizado.
- Antes de instalar la estufa, debe colocar y fijar la ménsula antinclinación al suelo.

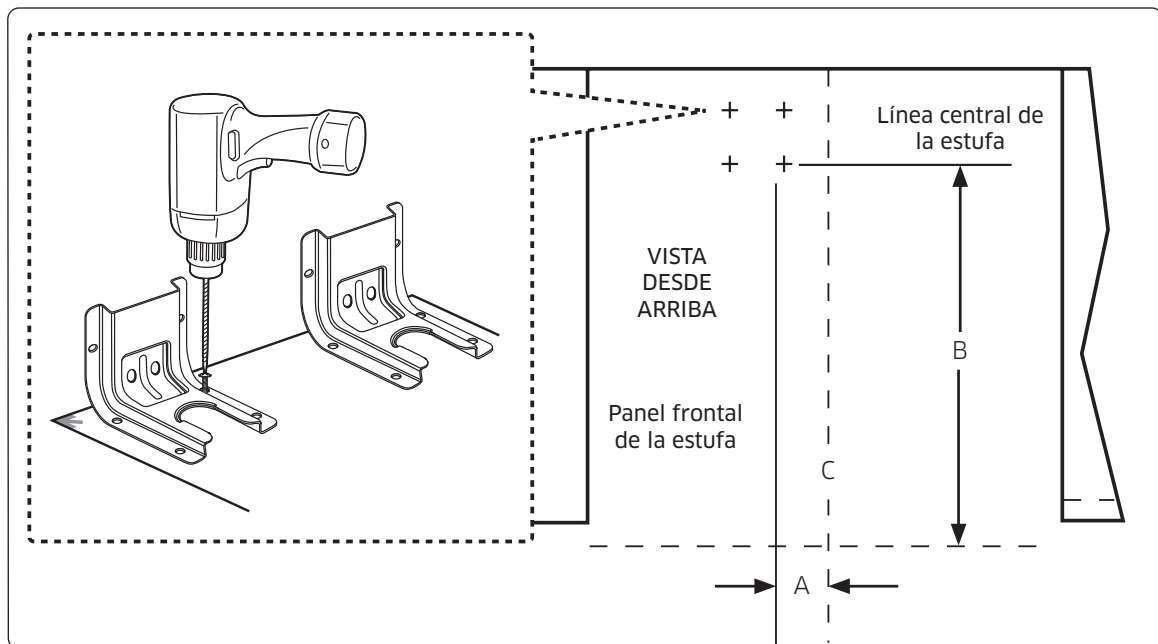
Desembalar la estufa

Desembale la caja de piezas y compruebe que se hayan suministrado todos los componentes necesarios. Si falta algún elemento o está dañado, comuníquese con su distribuidor inmediatamente. No instale un artefacto incompleto o dañado.

Instalar la ménsula antinclinación

⚠ ADVERTENCIA

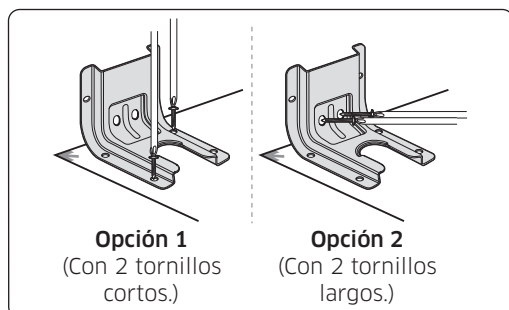
- Para reducir el riesgo de inclinación, el aparato debe fijarse instalando correctamente la ménsula antinclinación embalada con el artefacto.
- Todas las estufas pueden inclinarse y provocar lesiones.
- La inclinación de las estufas puede causar quemaduras por derrames, lesiones o la muerte.
- Para evitar la inclinación accidental, instale y revise la ménsula antinclinación.



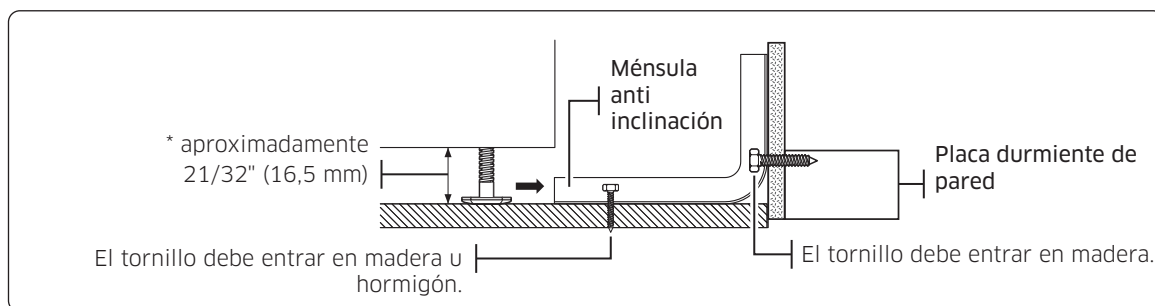
1. Use una perforadora con una mecha para hormigón de 1/8" para perforar los cuatro orificios si la ménsula está montada en un piso de madera. Use una perforadora con una mecha para hormigón de 3/16" para perforar los cuatro orificios si la ménsula está montada en un piso de cemento o cerámicos.

COLOCACIÓN DE LA MÉNSULA ANTINCLINACIÓN	
Dim.	DOP48C96D**
A	5 1/16" (5,2 cm)
B	22 11/16" (57,6 cm)

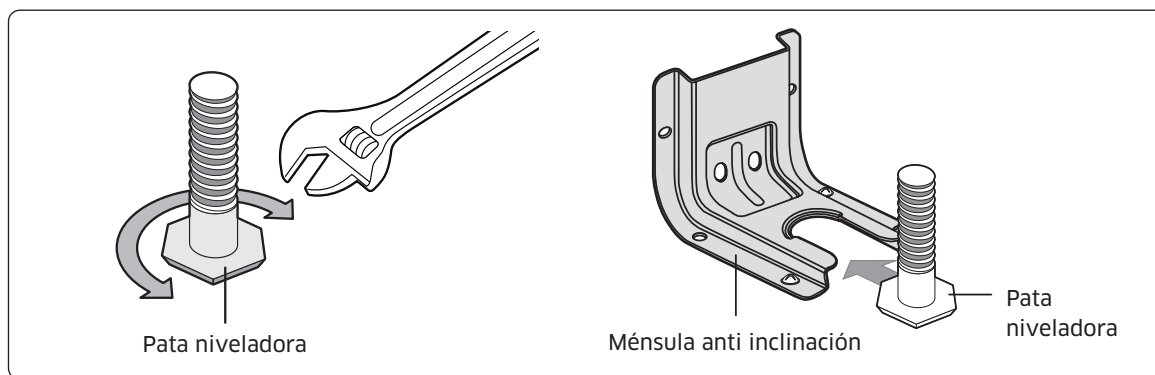
Instrucciones de instalación



- Haga coincidir los orificios de la ménsula antiinclinación con los orificios del piso o de la placa de la pared como se muestra en las opciones 1 y 2. Asegure la ménsula en el lugar con un destornillador Phillips y dos de los cuatro tornillos que se suministran.



- Nivele la estufa ajustando las patas niveladoras con una llave. Utilice un nivel de burbuja de aire para controlar los ajustes. Enchufe el cable de alimentación a un tomacorriente. Deslice la estufa hasta su posición. Para verificar que las patas niveladoras estén enganchadas, sujete el borde trasero superior de la estufa e intente inclinarla hacia adelante cuidadosamente.



NOTA

Para instalar la ménsula antiinclinación, suelte la pata niveladora utilizando la llave de tubería, ya que se aplica Loctite en el perno para prevenir que se libere por las vibraciones. Se requiere una distancia mínima de $\frac{21}{32}$ " (16,5 mm) entre la parte inferior de la estufa y el suelo de la cocina.

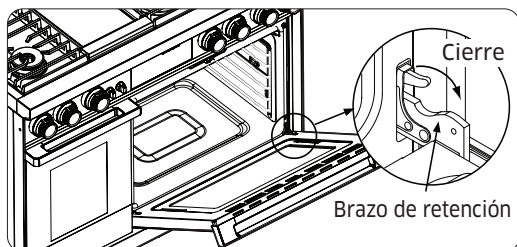
Para comprobar si la ménsula está instalada y encajada correctamente, retire el panel de protección y mire debajo de la estufa para ver si la pata niveladora está encajada en la ménsula. Incline cuidadosamente la estufa hacia adelante. La ménsula debe impedir que la estufa se incline más 4" (10,2 cm). Si no lo hace, se debe volver a instalar la ménsula.

Si la estufa se separa de la pared por cualquier motivo, repita siempre este procedimiento para comprobar que la estufa está bien sujeta por la ménsula antiinclinación. No retire nunca por completo las patas de nivelación o la estufa no quedará bien sujeta a la ménsula antiinclinación.

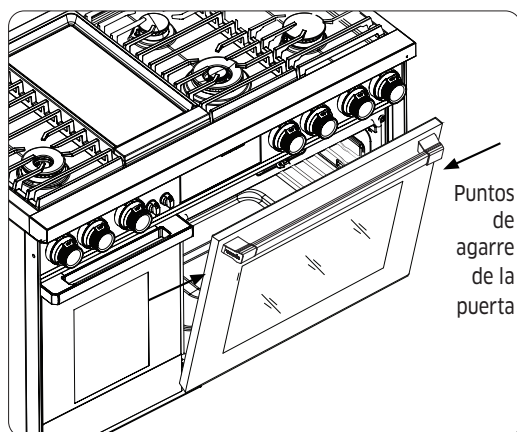
Retiro de la puerta del horno

ADVERTENCIA

- No intente desenganchar los cierres de las bisagras con las puertas desmontadas. Los resortes de las bisagras podrían soltarse y causar lesiones personales.
- No levante ni lleve la puerta del horno por el mango.



1. Abra la puerta por completo.
2. Con unas pinzas de punta fina o un destornillador ranurado, gire el cierre sobre el brazo de retención de cada bisagra.



3. Levante la puerta del horno hasta un ángulo de unos 15° con respecto a la vertical.
4. Con ambas manos, agarre la puerta justo por debajo del mango y tire ligeramente hacia arriba.
5. En el borde inferior derecho de la puerta, extraiga el conector de cables y desconecte los cables.
6. Levante la puerta del horno.

Instrucciones de instalación

Conexión eléctrica

Por su seguridad personal, no utilice un alargue con la estufa. Quite el fusible de la casa o abra el disyuntor antes de comenzar la instalación.

Esta estufa debe recibir el voltaje y la frecuencia adecuados, y estar conectada a un circuito derivado individual debidamente con conexión a tierra y protegido por un disyuntor o fusible con el amperaje especificado en la placa (revestimiento de la puerta del lado izquierdo). La conexión eléctrica de la estufa debe realizarla un electricista calificado. Después de la instalación, pídale a su electricista que le muestre la parte de la estufa desde la que puede desconectarse. Consulte a las empresas locales de servicios por los códigos aplicables. Si no cablea su horno de acuerdo con estos códigos, podría crear un peligro para la seguridad. Si no existen códigos locales, su estufa debe estar cableada y con fusibles según la última edición del Código Eléctrico Nacional, ANSI/NFPA n.º 70. Para obtener una copia, escriba a National Fire Protection Association, Batterymarch Park, Quincy, MA 02269.

Desde el 1 de enero de 1996, el Código Eléctrico Nacional exige que las construcciones nuevas se realicen con una conexión de 4 conductores a una estufa eléctrica. Cuando instale una estufa eléctrica en una construcción nueva, siga los pasos 2 y 3 para la conexión de 4 cables.

- Debe usar una CA de fase simple con cables de 3 o 4 conductores. Se requiere un sistema eléctrico de 240 V y 60 Hz. Si el servicio eléctrico doméstico no cumple las especificaciones anteriores, solicite a un electricista autorizado que instale un tomacorriente aprobado.
- Utilice únicamente un cable de estufa aprobado por UL de 3 o 4 conductores. Estos cables pueden estar provistos de terminales de anillo en el cable y un dispositivo de alivio de tensión.
- Se requiere un cable de estufa de 40 amperios con un alcance mínimo de 125/250 voltios. No se recomienda un cable de estufa de 50 amperios, pero si se utiliza, debe estar marcado para su uso con aberturas de conexión de 1 3/8" de diámetro nominal. Centre el cable y el dispositivo de alivio de tensión dentro del orificio ciego para evitar que el borde dañe el cable.
- Dado que no se puede acceder a los terminales de la estufa una vez colocada, se debe utilizar un conducto o cable flexible.



NOTA

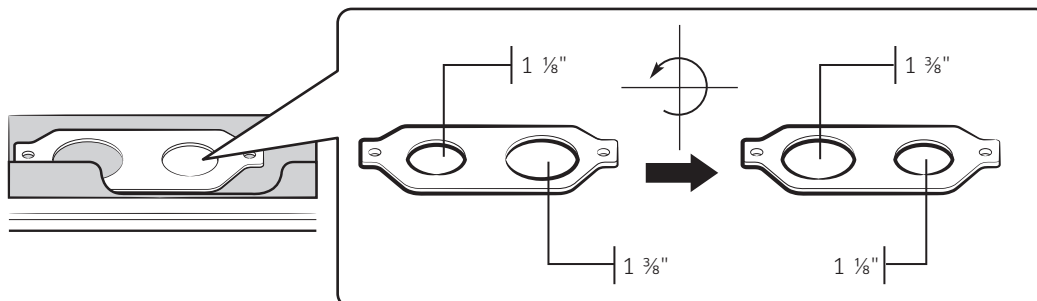
Si se usa un conducto, consulte la pág. 23.



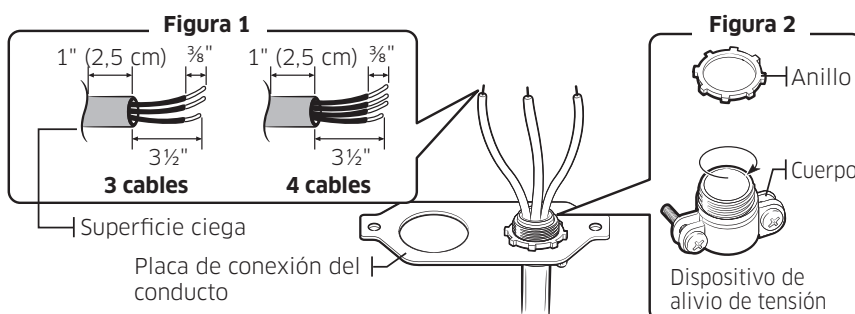
TODAS LAS CONSTRUCCIONES NUEVAS DE CIRCUITOS DERIVADOS, CASAS RODANTES, VEHÍCULOS RECREATIVOS E INSTALACIONES EN LAS QUE LOS CÓDIGOS LOCALES NO PERMITEN LA CONEXIÓN A TIERRA A TRAVÉS DEL NEUTRO, REQUIEREN UN CABLE DE AUTONOMÍA DE 4 CONDUCTORES APROBADO POR UL.

Instalación del conducto flexible

Retire la placa de conexión del conducto de la parte posterior del cajón y gírela como se muestra a continuación. (Use el orificio de 1 1/8").



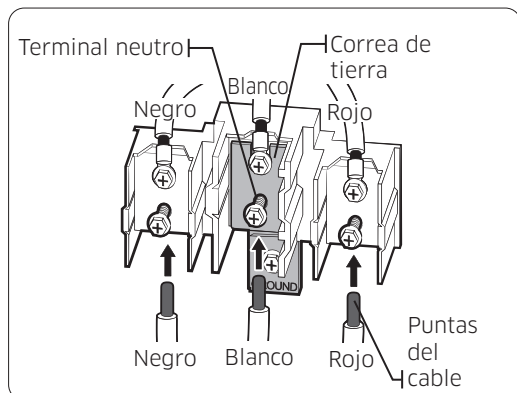
1. Prepare el cable del conducto (Figura 1).
2. Instale el cable del conducto (Figura 2).



Instalaciones del conducto: Inserte el dispositivo de alivio de tensión (no incluido) en el orificio del conducto de 1 1/8", pase el cable del conducto a través del cuerpo del dispositivo de alivio de tensión y fije el anillo; a continuación, vuelva a instalar la ménsula.

Instalación de un conducto de 3 conductores

- Se puede utilizar cable de aluminio para la construcción, pero debe tener el amperaje y el voltaje adecuados. Conecte los cables según el Paso 4 en función del número de cables.
- El cableado utilizado, la ubicación y la caja de empalmes, etc., deben ajustarse a las prácticas recomendadas de cableado y a los códigos locales.

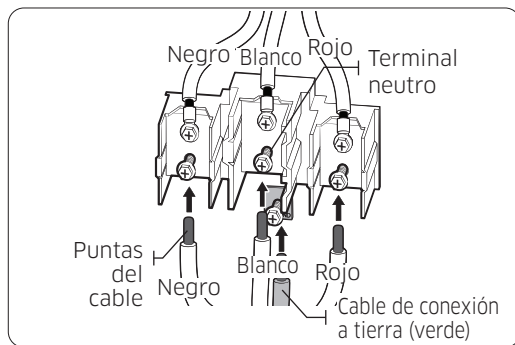
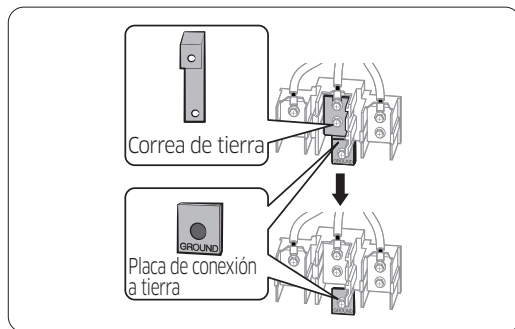


1. Afloje los tres tornillos inferiores del bloque de terminales.
2. Introduzca la punta del cable pelado blanco/neutro a través de la abertura central inferior del bloque. (En ciertos modelos, el cable tendrá que insertarse a través de la abertura de la correa de tierra y luego en la abertura del bloque central inferior).
3. Inserte las puntas izquierda y derecha del cable en sus respectivas aberturas de bloque.
4. Apriete los tornillos a 35-50"-lb (más apretados pueden dañar los cables).

Instrucciones de instalación

Instalar un conducto de 4 conductores

- Se puede utilizar cable de aluminio para la construcción, pero debe tener el amperaje y el voltaje adecuados. Conecte los cables según el Paso 4 en función de la cantidad de cables.
- El cableado utilizado, la ubicación y la caja de empalmes, etc., deben ajustarse a las prácticas recomendadas de cableado y a los códigos locales.



1. Afloje los 3 tornillos inferiores del bloque de terminales. Retire y conserve el tornillo de conexión a tierra y la placa de conexión a tierra.
2. Corte y tire la correa de tierra. No deseche los tornillos.
3. Introduzca la punta del cable desnudo de conexión a tierra entre el bastidor de la estufa y la placa de conexión a tierra (desmontada anteriormente). Luego fíjela en su sitio con el tornillo de conexión a tierra (desmontado anteriormente).
4. Introduzca la punta del cable (blanco/neutro) a través de la abertura central inferior del bloque.
5. Inserte las puntas izquierda y derecha del cable en sus respectivas aberturas de bloque.
6. Apriete los tornillos a 35-50"-lb (más apretados pueden dañar los cables).

Conexión de gas

⚠ ADVERTENCIA

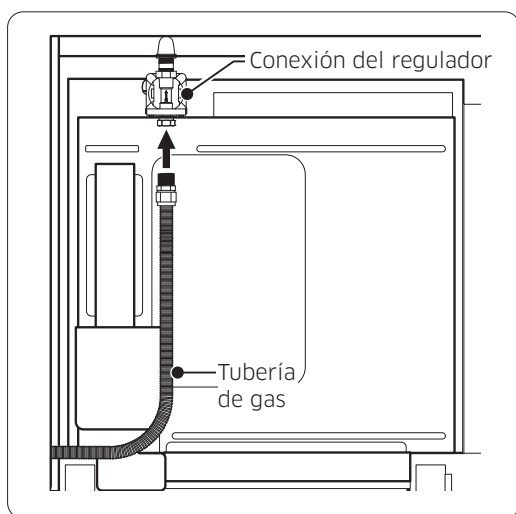
- Cierre la válvula de suministro de gas y desconecte la alimentación de la estufa en el disyuntor o en la caja de fusibles antes de conectar la tubería de gas.
- No aplique una presión excesiva al apretar las conexiones y los acoples de gas.
- No utilice cinta de teflón ni masilla de plomero en las conexiones de las tuberías flexibles de gas.
- La presión máxima de suministro de gas al regulador no debe superar $\frac{1}{2}$ psi (libras por pulgada cuadrada) o 3,5 kPa.
- La estufa y la válvula de cierre deben desconectarse de la tubería de suministro de gas para realizar pruebas de presión que superen $\frac{1}{2}$ psi (3,5 kPa).
- La estufa debe aislarse de la tubería de suministro de gas cerrando la válvula de cierre para realizar pruebas de presión a una presión igual o inferior a $\frac{1}{2}$ psi (3,5 kPa).
- Compruebe si hay pérdidas en todos los conductos de gas siguiendo las instrucciones para evitar riesgos de incendio o explosión. No compruebe si hay pérdidas con una llama.

📖 NOTA

El regulador de presión de gas viene ajustado de fábrica para el tipo de gas utilizado con la estufa. Para verificar que la estufa es compatible con el gas disponible, consulte la etiqueta de clasificación (revestimiento izquierdo de la puerta del horno). Consulte a su distribuidor si la estufa es incompatible con el gas suministrado.

Acerca de las funciones del horno

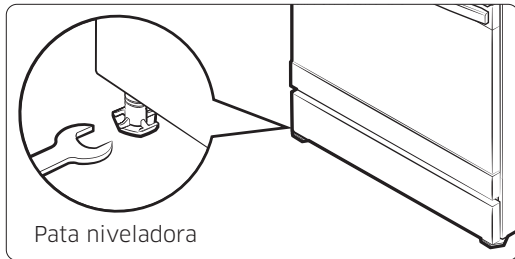
Antes de deslizar la estufa en el gabinete



1. Cierre la válvula de suministro de gas y desconecte la alimentación de la estufa.
2. Conecte un conducto de gas flexible a la válvula de cierre instalada en la derivación. La tubería debe ser lo suficientemente larga como para que la estufa pueda extraerse para el servicio sin desconectar la tubería.
3. Deslice la tubería de gas hacia arriba a través de los orificios de acceso del chasis hasta el regulador. (Mueva los cables dentro de los orificios de acceso para evitar que se enganchen en la tubería de gas).
4. Conecte las tuberías de gas al regulador de presión.
5. Apague todos los controles de la placa de cocción y, a continuación, abra el suministro de gas.
6. Con una solución de agua y jabón, compruebe si hay pérdidas en todos los conductos y conexiones.
7. Apague la válvula de suministro de gas.

Instrucciones de instalación

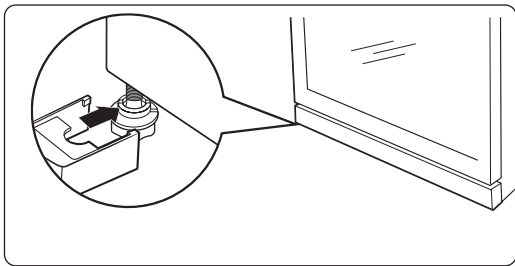
Instalación final



1. Asegúrese de que la estufa está colocada donde usted quiere.
2. Con una llave inglesa, nivele la estufa girando las patas niveladoras delanteras hacia dentro o hacia fuera según sea necesario. En sentido contrario a las agujas del reloj se acorta la pata y se baja la estufa. En el sentido de las agujas del reloj se alarga la pata y se eleva la estufa.

NOTA

- El ajuste de las dos patas delanteras suele ser suficiente, pero puede ajustar las cuatro patas si es necesario.
 - Ajuste las patas niveladoras solo lo necesario para nivelar la estufa. Extender las patas de nivelación más de lo necesario o retirar las patas puede hacer que la posición de la estufa sea inestable.
3. Si la estufa está ubicada al lado de gabinetes o entre ellos, asegúrese de que la placa de cocción (sin las rejillas de los quemadores superficiales) esté nivelada con las mesadas.
 4. Coloque una parrilla del horno en la posición de parrilla central.
 5. Utilice las dos posiciones que se muestran a la derecha para comprobar el nivel de la estufa con un nivel de carpintería.
 6. Una vez que la estufa esté nivelada, separe la estufa de la pared para poder instalar la ménsula antinclinación.
 7. Después de instalar y nivelar la estufa, instale las cubiertas de las patas delanteras (derecha e izquierda).



Reinstalación de la puerta del horno

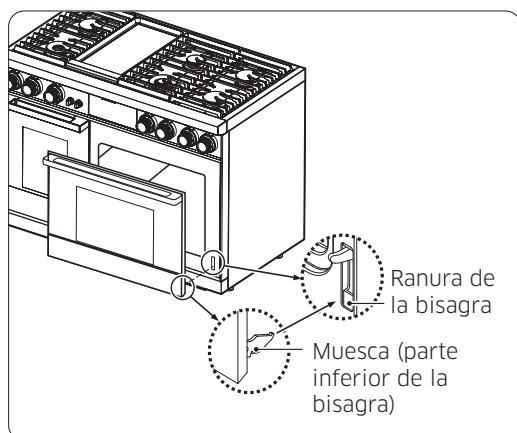
ADVERTENCIA

Para evitar lesiones personales o que la puerta se caiga de sus bisagras:

- Asegúrese de que la muesca de la parte inferior de cada bisagra quede apoyada sobre el labio inferior de cada receptáculo de bisagra antes de intentar abrir la puerta del horno.
 - Gire los cierres de las bisagras hacia la parte delantera de la estufa inmediatamente después de instalar la puerta.
1. Sujete la puerta del horno por ambos lados y manténgala en un ángulo de 15° con respecto a la parte delantera del horno. Deslice las bisagras en sus ranuras, apoyando la parte inferior de los brazos de las bisagras en los receptáculos de las bisagras. Mantenga el ángulo de 15° con una mano mientras empuja hacia dentro cada esquina inferior de la puerta, hasta que la muesca de la parte inferior de cada bisagra se deslice sobre el labio inferior de cada receptáculo de bisagra.

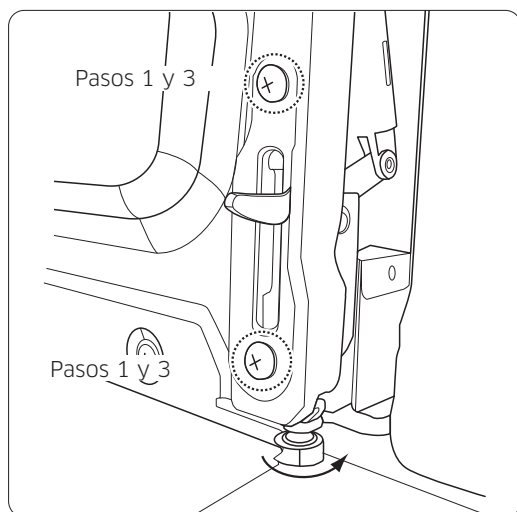
NOTA

El conector del cable bajo el lado derecho de la puerta debe estar conectado.



2. Baje la puerta hasta la posición de apertura total.
3. Gire los dos cierres de bisagra hacia el horno.
4. Abra y cierre la puerta completamente, despacio y con cuidado, para asegurarse de que esté bien instalada.
5. Retire cualquier embalaje del interior de los hornos.

Ajuste de la puerta

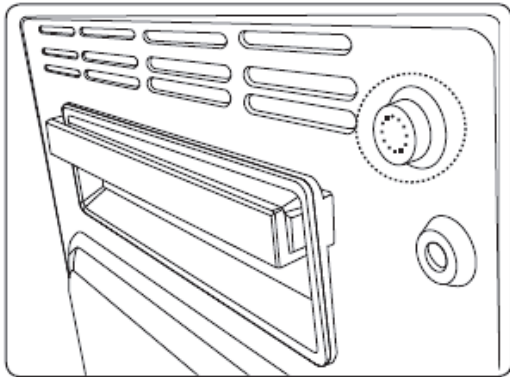


Asegúrese de que las puertas del horno estén paralelas y al ras. Para ello, utilice los tres pernos (uno en el lado superior derecho y otro debajo de cada bisagra). El perno superior ajusta la puerta horizontalmente. Los dos pernos inferiores ajustan la puerta verticalmente.

Para ajustar la puerta verticalmente:

1. Retire la puerta y retire 2 tornillos de cada pestillo de la bisagra de la puerta.
2. Ajuste el perno debajo de cada pestillo.
3. Vuelva a colocar y apretar los 2 tornillos.
4. Reinstale la puerta.

Instrucciones de instalación



NOTA

Levantar demasiado los pestillos de las bisagras de la puerta dificulta la fijación de los dos tornillos.

Instalación de las perillas de control de los quemadores

ADVERTENCIA

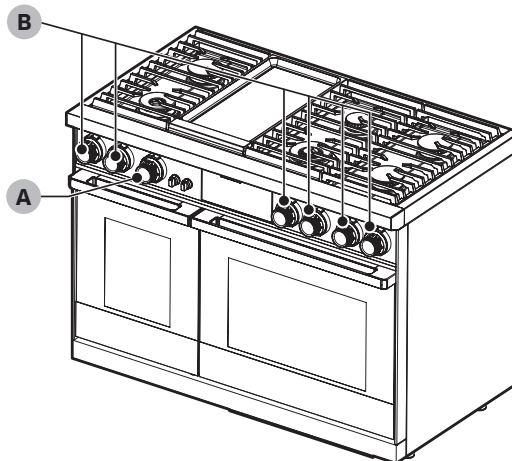
La instalación de las perillas de la estufa en una posición incorrecta puede dañar el comal que viene con la estufa. Las perillas de los quemadores centrales están marcadas con los ajustes máximos del comal.

NOTA

Al instalar las perillas, alinee la abertura en forma de "D" de la parte posterior de la perilla con el extremo del eje de la válvula. Empuje suavemente la perilla hasta que se detenga.

La estufa se suministra con dos tipos de perillas: Comal (sin ícono de llama) y quemador.

1. Coloque la perilla del comal en la posición **A**.
2. Coloque las perillas restantes en la posición **B**.

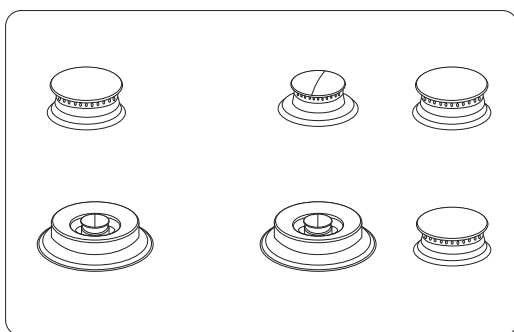


Ensamblado de la parrilla

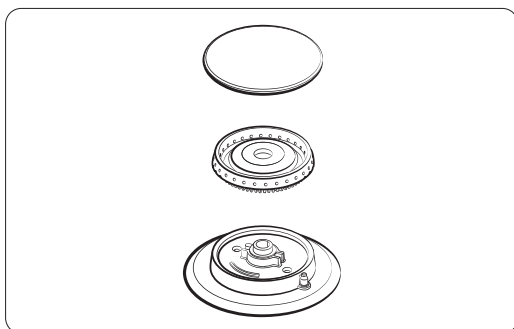
Ensamblado de los quemadores

⚠ PRECAUCIÓN

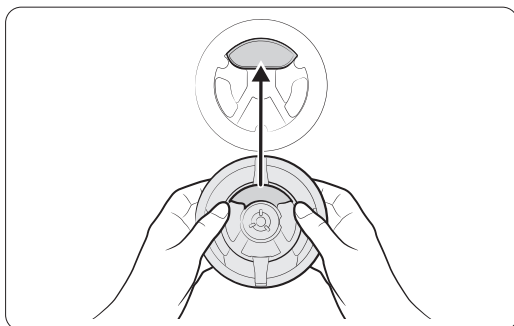
- No ponga en funcionamiento los quemadores de la parrilla si no están correctamente montados.
- No presione la perilla de la parrilla mientras retira el quemador; podría producirse una ligera descarga eléctrica.
- No retire la tapa ni toque un electrodo del quemador mientras haya otro quemador encendido.



1. Coloque los cabezales de los quemadores sobre sus bases, como se muestra a la izquierda. Los electrodos encajarán en la ranura de la parte inferior de los cabezales. Los cabezales deben estar planos y paralelos a la parrilla.
2. Coloque las tapas del mismo tamaño en la parte superior de cada cabezal del quemador de la parrilla.

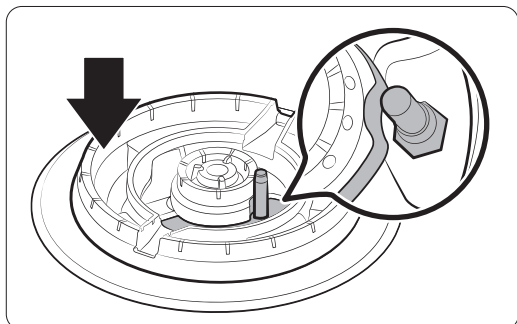


Tapas y cabezales de quemadores dobles

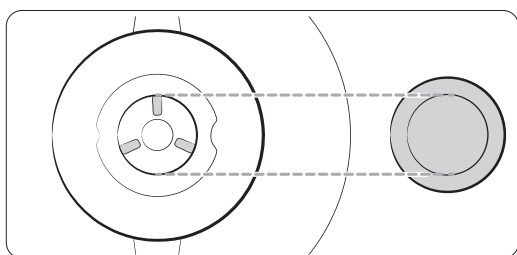


1. Oriente el cabezal del quemador de modo que la abertura para el electrodo esté alineada con el electrodo.

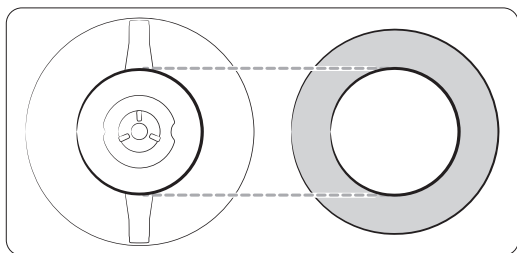
Instrucciones de instalación



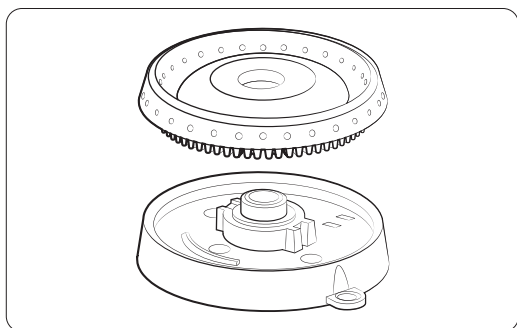
2. Instale el cabezal del quemador de modo que el electrodo pase por la abertura del cabezal. Asegúrese de que el cabezal del quemador quede plano sobre la base.



3. Empareje las tapas con los quemadores según su tamaño e instale las tapas en los cabezales.



Tapas y cabezales de los quemadores redondos



1. Coloque los cabezales de los quemadores sobre sus bases, como se muestra a la izquierda. La parte inferior del cabezal encaja en la base del quemador.
2. Gire el cabezal hasta que encaje en su lugar. Haga girar cada cabezal ligeramente hacia adelante y hacia atrás para verificar que esté asentado correctamente.
3. Coloque las tapas del quemador (latón o porcelana) sobre los cabezales del quemador. El puente que rodea el borde inferior de la tapa encaja alrededor de la parte superior del cabezal del quemador.

PRECAUCIÓN

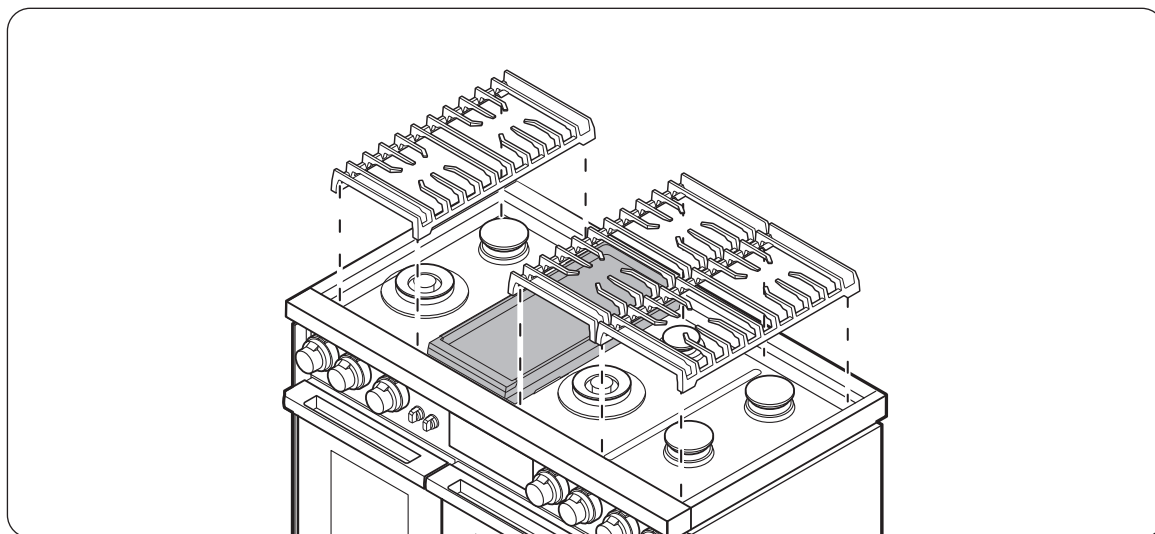
Asegúrese de que todos los componentes del quemador (cabezales y tapas) queden planos y ajustados en su lugar.

Instalación de las rejillas

Para obtener unos mejores resultados y una mayor vida útil, instale las rejillas según las indicaciones. Cuando se coloca correctamente, las aberturas en las rejillas se centran sobre los quemadores. Las rejillas ocupan posiciones específicas en la parrilla. Para obtener la máxima estabilidad y un funcionamiento seguro, estas rejillas solo deben utilizarse en su posición correcta. La parte posterior de la rejilla derecha tiene una muesca para facilitar su orientación. (Consulte el gráfico siguiente).

Para colocar las rejillas correctamente:

1. Busque la muesca en la parte posterior de la rejilla derecha y oriéntela correctamente por encima de los quemadores derechos.
2. Baje suavemente la rejilla derecha de modo que sus patas queden apoyados en los hoyos correspondientes de la placa de cocción.
3. Del mismo modo, coloque las rejillas restantes para que las patas queden sobre las hendiduras correspondientes.



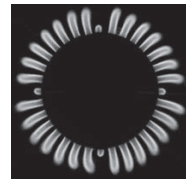
NOTA

Las rejillas no pueden intercambiarse. Cada rejilla tiene su propio grabado debajo. Le indica cuál es la parte frontal de la rejilla y la posición correcta: izquierda, centro o derecha.

Instrucciones de instalación

Verificación de una operación correcta

1. Antes de iniciar el procedimiento de prueba, apague todos los quemadores y compruebe que todos los componentes de los quemadores y las rejillas estén colocados correctamente.
2. Abra la válvula de suministro de gas y compruebe si hay pérdidas de gas.
3. Conecte la alimentación de la estufa en el disyuntor o en la caja de fusibles.
4. Utilice la pantalla del horno para establecer las preferencias del usuario y la configuración de la red inalámbrica.
5. En la pantalla, toque MENU > BAKE (MENÚ > HORNEAR). (Debería aparecer la temperatura de horneado predeterminada).
6. Toque Start (Inicio). En 3 minutos, abra la puerta para comprobar que la cámara del horno se está calentando. (La pantalla debe mostrar BAKE [HORNEAR] y la temperatura de precalentamiento).
7. Toque **OFF** (APAGADO).
8. Introduzca una perilla y gírela en el sentido contrario a las agujas del reloj hasta la posición HIGH (ALTA). En 4 segundos, se produce el encendido y el cebador deja de chispear. Si no se produce el encendido esperado, apague la perilla, espere 5 minutos a que se disipe el gas y vuelva a intentar.
9. Después del encendido, gire la perilla de control de HIGH (ALTO) a LOW (BAJO) mientras observa la altura de la llama. Si la estufa está instalada correctamente, la llama es constante y silenciosa, con un cono interior azul y en punta que varía en longitud en función del tamaño del quemador.
10. Gire la perilla de control a **OFF** (APAGADO).
11. Repita la prueba de encendido para los quemadores restantes.



Llama normal

Si la estufa no funciona correctamente:

1. Compruebe que la estufa reciba alimentación eléctrica y de gas.
2. Compruebe las conexiones eléctricas y el suministro de gas para verificar la correcta instalación.
3. Repita la prueba de horneado y la prueba de encendido del quemador.
4. Si la estufa sigue sin funcionar, comuníquese con el servicio de Atención al cliente de Dacor: 833-353-5483 (EE. UU.), 844-509-4659 (Canadá). Tenga a mano los números de modelo y de serie. (Consulte la etiqueta de información que se encuentra en la parte inferior del panel de control).

No intente reparar la estufa usted mismo. Dacor no se hace responsable de los costos de corrección de los problemas causados por una instalación defectuosa.

Retiro y reinstalación de la estufa

Retiro de la estufa para el servicio

1. Cierre la válvula de suministro de gas.
2. Desconecte la alimentación de la estufa del disyuntor o en la caja de fusibles.
3. Saque la estufa de la pared.

Reinstalación de la estufa después del servicio

1. Empuje la estufa hasta su posición y encaje la ménsula antinclinación.
2. Conecte la alimentación de la estufa en el disyuntor o en la caja de fusibles.
3. Abra la válvula de suministro de gas.

Lista de verificación para la instalación

ADVERTENCIA

El instalador debe completar esta lista de verificación para garantizar una instalación completa y correcta. El dueño del hogar es responsable de llevar a cabo una instalación adecuada.

- ¿Se despegó la lámina de plástico del exterior de la estufa?
- ¿Se retiró todo el embalaje de la cámara del horno?
- ¿Todas las patas de nivelación están en contacto con el suelo? ¿La unidad está nivelada? (Pág. 26).
- ¿Se ha fijado la estufa con la ménsula antinclinación y el pie según las instrucciones? (Pág. 19).
- ¿Se ha medido la presión de entrada del suministro de gas para asegurarse de que no supera los máximos indicados en estas instrucciones? (Pág. 17).
- ¿Está la estufa conectada al suministro de gas según las instrucciones y los códigos aplicables? ¿Se ha comprobado si hay pérdidas en el suministro de gas? ¿Se ha vuelto a instalar la tapa del regulador? (Pág. 24 - 25).
- ¿La puerta del horno se instaló según las instrucciones? (Pág. 27 - 28).
- ¿Las perillas de los quemadores se instalaron correctamente? (Pág. 28).
- ¿Se instalaron los quemadores (Pág. 29 - 30) y las rejillas (Pág. 31) según las instrucciones?
- ¿Se ha comprobado el correcto funcionamiento?
- ¿Se ha activado la garantía en línea o se ha rellenado y enviado por correo la tarjeta de garantía?



Dacor • 14425 Clark Avenue, City of Industry, CA 91745 • Teléfono: 833-353-5483 (EE. UU.), 844-509-4659 (CANADÁ) • Fax: (626) 403-3130 • www.dacor.com

dacor

Instructions d'installation

**Cuisinière professionnelle de style
contemporain.**

DOP48C96D**



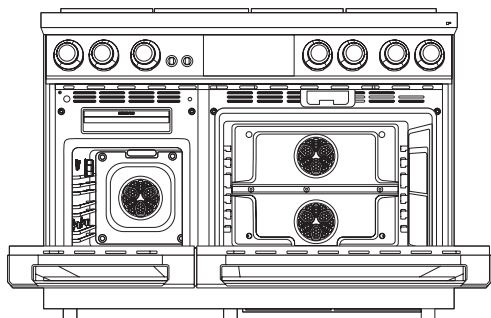
DG68-01511A-00

Table des matières

Avant de commencer	3
Remarque importante à l'intention du propriétaire	3
Informations sur l'assurance client	3
Consignes de sécurité importantes	4
Lisez toutes les instructions avant d'utiliser cet appareil	4
Symboles dans ce manuel	4
À propos du dispositif anti-basculement	4
Avertissement relatif à la proposition 65 de l'État de Californie Commonwealth du Massachusetts	4
Instructions de sécurité relatives à l'installation	5
Caractéristiques du produit	10
Contenu de l'emballage (DOP48C96D**)	10
Outils et pièces nécessaires	11
Exigences d'installation	12
Liste de contrôle préalable à l'installation	12
Exigences générales	12
Exigences relatives à l'emplacement	15
Exigences en matière de gaz	17
Exigences particulières en matière de gaz (modèles à gaz vendus dans le Massachusetts)	17
Exigences électriques	18
Instructions d'installation	19
Préparation de l'installation	19
À propos des fonctions du four	25
Installation des boutons de commande du brûleur	28
Assemblage de la table de cuisson	29
Vérification du bon fonctionnement	32
Retrait et réinstallation de la cuisinière	33
Liste de contrôle de l'installation	33

Avant de commencer

Remarque importante à l'intention du propriétaire



Installateur

- Lisez attentivement le présent manuel avant d'installer la cuisinière.
- Retirez tous les matériaux d'emballage avant de brancher l'alimentation en électricité et en gaz.
- Respectez tous les codes et ordonnances en vigueur.
- Laissez ce manuel au propriétaire et inscrivez-y les numéros de modèle et de série de l'appareil pour pouvoir le consulter facilement. L'installation de cet appareil requiert des compétences mécaniques de base.
- Le propriétaire doit veiller à l'installation correcte de la cuisinière. (La garantie ne couvre pas les défaillances du produit dues à une installation inadéquate.)

Propriétaire

- À l'instar de tout appareil générant de la chaleur, certaines précautions de sécurité doivent être respectées.
- Assurez-vous que votre cuisinière est installée correctement par un installateur ou un technicien qualifié.
- Assurez-vous que les revêtements muraux situés à proximité de la cuisinière peuvent résister à la chaleur qu'elle génère.
- L'espace de rangement au-dessus de la surface de la cuisinière doit être d'au moins 76,2 cm (30 po).
- Conservez ce manuel à portée de main pour vous y référer à titre personnel ou professionnel.

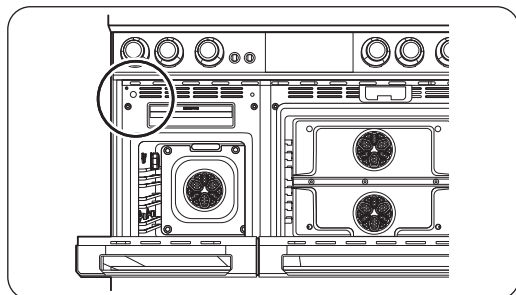
Technicien à l'entretien et en réparation

Le schéma électrique est fixé sur la paroi arrière de la cuisinière.

Informations sur l'assurance client

Pour toute question ou problème lié à l'installation, veuillez communiquer avec votre concessionnaire Dacor ou avec l'équipe d'assistance client de Dacor.

Disposez des numéros de modèle et de série de la cuisinière avant de téléphoner. (Voir l'étiquette de données de la cuisinière : Située sur le côté inférieur gauche du tableau de commande.)



Assurance client de Dacor :

833-353-5483(USA)
Du lundi au vendredi, de 8 h à 20 h, heure de l'Est

844-509-4659(Canada)
Du lundi au vendredi de 8 h à 20 h (heure de l'Est)

Site Web : www.dacor.com

Consignes de sécurité importantes

LISEZ TOUTES LES INSTRUCTIONS AVANT D'UTILISER CET APPAREIL

- Les instructions de ce manuel doivent être suivies pour éviter tout dommage matériel, toute blessure corporelle ou tout décès.
- Les appareils électriques et à gaz comportant des pièces mobiles peuvent être dangereux. Les instructions de sécurité importantes contenues dans ce manuel sont destinées à minimiser les risques de dommages matériels, de blessures corporelles et de décès. Lisez ces instructions.
- Conservez ce manuel dans un endroit pratique pour vous y référer.

Symboles dans ce manuel

Respecter scrupuleusement ces icônes et symboles d'avertissement pour éviter tout risque de dégâts matériels ou de blessures.

AVERTISSEMENT

Risques ou manipulations dangereuses susceptibles d'entraîner des blessures graves, voire mortelles.

ATTENTION

Risques ou manipulations dangereuses susceptibles d'entraîner des blessures légères ou des dégâts matériels.

REMARQUE

Conseils et instructions utiles.

À propos du dispositif anti-basculement



AVERTISSEMENT

Toutes les cuisinières peuvent basculer et provoquer des blessures ou la mort. Pour éviter tout basculement accidentel, installez et vérifiez le support anti-basculement.

- Après avoir installé le dispositif anti-basculement (voir Installation du dispositif anti-basculement), vérifiez l'installation correcte en faisant basculer la cuisinière vers l'avant avec précaution. Le dispositif anti-basculement devrait maintenir la cuisinière en place en toute sécurité.
- Une fois la cuisinière remise en place après l'entretien, veillez à réengager le dispositif anti-basculement.
- Pour éviter tout dommage personnel ou matériel, ne marchez pas, ne vous asseyez pas et ne vous penchez pas sur la cuisinière.
- Réengager le dispositif anti-basculement si la cuisinière est déplacée.

Avertissement relatif à la proposition 65 de l'État de Californie

AVERTISSEMENT

Cancer et troubles de la fertilité – www.P65Warnings.ca.gov

Commonwealth du Massachusetts

Ce produit doit être installé par un plombier agréé ou un installateur de gaz qualifié ou agréé par l'État du Massachusetts. Lorsque vous utilisez des vannes à bille pour couper le gaz, il faut utiliser le type à poignée en T. Il est interdit de raccorder en série plusieurs conduites de gaz flexibles.

Instructions de sécurité relatives à l'installation

Cette section comprend des instructions de sécurité générales et spécifiques concernant l'installation de la cuisinière.

AVERTISSEMENT

Lisez attentivement ces instructions pour réduire les risques de dommages matériels, d'incendie, de blessures corporelles et de décès, et pour garantir une installation correcte.

Sécurité générale

- Ne touchez pas la cuisinière pendant ou immédiatement après la cuisson.
- Sachez où et comment fermer/ouvrir la vanne d'alimentation en gaz de la cuisinière.
- Utiliser uniquement des maniques sèches.
- Ne laissez pas les enfants s'asseoir ou se tenir debout sur la cuisinière ou jouer avec ses pièces. Ne laissez pas les enfants sans surveillance près de la cuisinière lorsqu'elle est en marche.
- Retirez tous les emballages avant d'utiliser la cuisinière et jetez-les immédiatement et correctement.
- Conservez tous les emballages hors de la portée des enfants.
- Ne laissez pas d'objets susceptibles d'intéresser les enfants sur la cuisinière ou à proximité.
- N'utilisez pas la cuisinière si elle est endommagée, si elle fonctionne mal ou s'il manque des pièces.
- N'utilisez pas de nettoyeurs pour four ni de produits de nettoyage sur le four.
- Ne chauffez pas de récipients alimentaires fermés.
- Ne frappez pas la vitre du four.
- Lorsque vous mettez la cuisinière au rebut, coupez le cordon d'alimentation et retirez la porte.
- Fermez le gaz et débranchez la cuisinière avant de procéder à l'entretien.
- Faites cuire la viande à une température interne de 71 °C (160 °F) et la volaille à 82 °C (180 °F).
- Les rideaux d'air ou les hottes qui soufflent sur la cuisinière à gaz ne doivent être utilisés que si la hotte et la cuisinière sont conçues et testées conformément à la norme sur les cuisinières à gaz domestiques, ANSI Z21.1 - CSA1.1, et répertoriées par un laboratoire d'essai indépendant pour une utilisation combinée.
- N'utilisez jamais la cuisinière comme chauffage d'appoint.

Sécurité incendie

- Ne pas ranger/placer/utiliser d'articles combustibles (par exemple, papier, plastique, tissus, essence) à proximité de la cuisinière.
- Ne portez pas de vêtements amples ou flottants lorsque vous utilisez la cuisinière.
- Ne laissez pas de maniques ou d'autres matériaux inflammables toucher un élément chauffant. Ne pas utiliser de serviette ou tout autre tissu épais comme manique.
- N'arrosez pas un feu de graisse avec de l'eau, mais éteignez le brûleur et étouffez le feu avec un couvercle hermétique ou utilisez un extincteur polyvalent, chimique sec ou à mousse.
- Pour les feux de four, gardez la porte fermée et appuyez sur **OFF (arrêt)**. N'ouvrez pas la porte avant que le feu ne soit éteint. Si nécessaire,
- utilisez un extincteur polyvalent, chimique sec ou à mousse.
- Ne chauffez pas les récipients fermés; la pression pourrait faire éclater le récipient et causer des blessures.

Consignes de sécurité importantes

AVERTISSEMENT

Lisez attentivement ces instructions pour réduire les risques de dommages matériels, d'incendie, de blessures corporelles et de décès, et pour garantir une installation correcte.

Sécurité en matière de gaz

Si vous sentez une odeur de gaz :

- n'utilisez pas la cuisinière et fermez le robinet de gaz.
- n'allumez pas d'allumette, de bougie ou de cigarette.
- n'allumez pas d'appareils électriques ou à gaz.
- ne branchez pas un cordon d'alimentation et ne touchez pas un interrupteur électrique.
- n'utilisez aucun téléphone dans votre bâtiment.
- évacuez le bâtiment.
- appelez immédiatement votre compagnie de gaz depuis le téléphone d'un voisin; suivez les instructions du fournisseur.
- Si votre compagnie de gaz n'est pas joignable, appelez les pompiers.

Vérification des fuites de gaz

Vérifiez l'étanchéité de la cuisinière en suivant les instructions du fabricant. N'utilisez pas de flamme pour vérifier les fuites. Avec un pinceau, appliquez un mélange d'eau et de savon sur la surface en question. S'il y a une fuite de gaz, il y aura des petites bulles dans l'eau savonneuse. En cas de doute, demandez l'aide d'un professionnel.

Sécurité électrique et mise à la terre

- Ne pas retirer la broche de terre.
- N'utilisez pas d'adaptateur ou de rallonge.
- N'utilisez pas une fiche ou un cordon endommagé ou une prise de courant desserrée, et ne modifiez pas la fiche, le cordon ou la prise.
- Ne pas placer de fusible dans un circuit neutre ou de mise à la terre.
- Utilisez un disjoncteur exclusif de 240 Vca, 60 Hz, 50 A pour la cuisinière de 48 po et un disjoncteur de 40 A pour la cuisinière de 36 po. Un fusible ou un disjoncteur à retardement doit être utilisé. Ne branchez que la cuisinière sur ce circuit.
- Ne connectez pas le fil de terre à des conduites de plomberie/gaz en plastique ou à des conduites d'eau chaude.
- La cuisinière doit être mise à la terre. La mise à la terre réduit le risque de choc électrique en donnant au courant un chemin sûr. Si vous n'êtes pas sûr que votre prise est correctement mise à la terre, demandez à un électricien agréé de la vérifier.
- La cuisinière est équipée d'une fiche à 4 broches avec mise à la terre qui doit être insérée dans une prise à 4 broches avec mise à la terre conforme aux réglementations locales. Si les codes autorisent un fil de terre séparé, un électricien qualifié doit déterminer son chemin.
- L'alimentation électrique de la cuisinière doit être conforme aux codes locaux ou, à défaut, au Code national de l'électricité/NFPA No. 70 - Dernière révision (pour les États-Unis) ou au Code canadien de l'électricité CSA C22.1 ou aux dernières révisions.
- Le propriétaire doit s'assurer que la cuisinière reçoit le service électrique approprié.

Cette section comprend des instructions de sécurité générales et spécifiques concernant l'installation de la cuisinière.

▲ AVERTISSEMENT

Lisez attentivement ces instructions pour réduire les risques de dommages matériels, d'incendie, de blessures corporelles et de décès, et pour garantir une installation correcte.

Sécurité de l'installation

- La cuisinière doit être installée, mise à la terre et entretenue par un installateur qualifié, conformément aux instructions de ce manuel.
- Ne réparez pas, ne modifiez pas et ne remplacez pas la cuisinière ou une partie de celle-ci, sauf si cela est indiqué dans ce manuel. Toute autre réparation doit être effectuée par un technicien qualifié.
- Retirez tout le ruban adhésif et le matériel d'emballage.
- N'utilisez que des connecteurs neufs et flexibles pour installer la cuisinière.
- Assurez-vous que le dispositif anti-basculement est correctement installé (Page 19).
- En raison de la taille et du poids de la cuisinière, demandez à deux personnes ou plus de la déplacer.
- Après avoir déballé le produit, retirez tous les accessoires, en faisant attention aux pièces lourdes.
- Vérifiez qu'aucune pièce ne s'est détachée pendant le transport.
- Assurez-vous que la cuisinière est correctement installée/réglée par un technicien ou un installateur qualifié pour le type de gaz (naturel ou GPL) que vous utiliserez. Pour que la cuisinière fonctionne au gaz de pétrole liquéfié, l'installateur doit remplacer tous les orifices des brûleurs de surface par le jeu d'orifices pour gaz de pétrole liquéfié fourni et inverser l'adaptateur GPR. Ces réglages doivent être effectués conformément aux instructions du fabricant et aux réglementations locales. L'organisme de service qualifié qui effectue ce travail est responsable de la conversion au gaz.
- L'installation de cette cuisinière doit être conforme aux codes locaux ou, en leur absence, au National Fuel Gas Code, ANSI Z223.1/NFPA.54, dernière édition. Au Canada, l'installation doit être conforme au Code d'installation du gaz naturel et du propane, CAN/CGA-B149.1, ou au Code d'installation du propane, CAN/CGA-B149.2, et aux codes locaux, le cas échéant. La conception de cette cuisinière a été certifiée par UL conformément à la norme ANSI Z21.1/CSA 1.1, dernière édition.

Sécurité en matière d'emplacement

- Installez la cuisinière à l'intérieur, à l'abri des intempéries, de l'eau et des courants d'air forts.
- Si la cuisinière se trouve près d'une fenêtre, n'accrochez pas de stores en papier ou de longs rideaux qui pourraient être projetés sur la cuisinière.
- La cuisinière doit être installée à proximité d'une prise de courant à quatre broches avec mise à la terre.
- Les revêtements des murs et des armoires autour de la cuisinière doivent résister à une chaleur pouvant atteindre 90 °C (194 °F).
- Choisissez un sol plat et solide, capable de supporter le poids de la cuisinière (48 po : 564 lbs.). Les revêtements de sol synthétiques (par exemple, le linoléum) doivent résister à une température de 82 °C (180 °F) sans rétrécir, se déformer ou se décolorer. La cuisinière doit être séparée de la moquette par une feuille de contreplaqué de ¼ po ou un isolant similaire.
- La cuisinière nécessite un espace suffisant tout autour du châssis pour que ses événements évacuent correctement la chaleur et les fumées, ce qui garantit un fonctionnement sûr.
- Évitez de ranger les armoires au-dessus de la cuisinière; sinon, prévoyez au moins 76,2 cm (30 po) entre la surface de cuisson et le fond de l'armoire ; ou installez une hotte de cuisinière qui dépasse d'au moins 12,7 cm (5 po) les armoires.

Consignes de sécurité importantes

Cette section comprend des instructions de sécurité générales et spécifiques concernant l'installation de la cuisinière.

AVERTISSEMENT

Lisez attentivement ces instructions pour réduire les risques de dommages matériels, d'incendie, de blessures corporelles et de décès, et pour garantir une installation correcte.

Sécurité de la table de cuisson

- Éteignez tous les brûleurs si vous n'utilisez pas la cuisinière.
- N'utilisez pas de papier d'aluminium pour recouvrir les grilles ou toute autre partie de la table de cuisson.
- Ne laissez pas les brûleurs sans surveillance sur des réglages moyens ou élevés.
- Avant d'allumer l'appareil, assurez-vous que les brûleurs et les chapeaux sont bien en place.
- Utilisez LITE (symbole de la flamme) pour allumer un brûleur. Si le brûleur ne reste pas allumé, tournez le bouton sur **OFF** (ARRÊT), et attendez 5 minutes pour que le gaz se dissipe, puis réessayez.
- Lorsque vous réglez un brûleur sur mijotage, tournez lentement le bouton pour vous assurer que le brûleur reste allumé.
- Ne placez que des ustensiles de cuisine sur la table de cuisson.
- La table de cuisson est conçue pour la cuisson avec un wok ou un anneau de wok.
- Les aliments ne doivent être cuits que sous une hotte de ventilation active.
- Avant de retirer les ustensiles de cuisine, éteignez le brûleur et retirez les aliments et les ustensiles une fois la cuisson terminée.
- Les brûleurs doivent être éteints et toutes les surfaces refroidies avant de retirer les grilles et les pièces du brûleur. Après avoir nettoyé la tête du brûleur, séchez-la complètement avant de la réassembler.
- Assemblez le diffuseur de brûleur double de façon à ce que son repère d'étincelle soit à côté de l'électrode.
- Ne versez pas d'eau ou d'autres liquides dans la table de cuisson.
- Choisissez des ustensiles de cuisine conçus pour les tables de cuisson et qui recouvrent la grille. Les flammes du brûleur doivent demeurer entièrement sous l'ustensile de cuisine.
- N'utilisez pas d'ustensiles de cuisine beaucoup plus grands que la grille.
- Éloignez les poignées des brûleurs actifs et du bord avant de la table de cuisson.
- Faites chauffer l'huile de friture lentement et surveillez-la pendant qu'elle chauffe. Pour les fritures à feu vif, tenez-vous à une distance sûre et surveillez constamment l'huile. Si vous mélangez des graisses et des huiles, mélangez-les avant de les faire chauffer.
- Utilisez si possible un thermomètre à friture pour éviter de chauffer l'huile au-delà de son point de fumée.
- Faites frire avec un minimum d'huile. Décongelez complètement les aliments avant de les frire; ne faites pas frire des aliments glacés ou trop froids. Laissez l'huile/la graisse refroidir à température ambiante avant de déplacer l'ustensile de cuisine.
- Pour éviter l'ébullition différée, laissez l'huile/la graisse reposer au moins 20 secondes après avoir éteint le brûleur pour stabiliser la température.

Cette section comprend des instructions de sécurité générales et spécifiques concernant l'installation de la cuisinière.

▲ AVERTISSEMENT

Lisez attentivement ces instructions pour réduire les risques de dommages matériels, d'incendie, de blessures corporelles et de décès, et pour garantir une installation correcte.

Sécurité du four

- Ne pas utiliser le four à des fins autres que la cuisson, comme le séchage du linge ou le stockage. Utilisez le four uniquement pour la cuisson.
- Assurez-vous que les grilles du four sont placées au même niveau de chaque côté.
- Ne pas pulvériser d'eau sur la vitre du four lorsque celui-ci est allumé ou juste après l'avoir éteint.
- Ne nettoyez pas le joint de la porte.
- N'utilisez pas de papier d'aluminium ou de matériau similaire pour recouvrir ou doubler une partie du four.
- Placez-vous sur le côté lorsque vous utilisez le four et ouvrez la porte.
- Veillez à ce qu'il n'y ait pas d'accumulation de graisse dans le four.
- Assurez-vous que le four est complètement froid avant d'ajuster les grilles du four.
- Ne laissez pas d'objets en plastique dans le four.
- Pour éviter d'endommager les boutons de commande des brûleurs ou la commande du four, faites toujours cuire/griller les aliments avec la porte du four fermée.
- Ne placez pas la viande trop près de l'élément de gril; coupez l'excès de graisse avant de cuire la viande.
- Utilisez les sacs de cuisson conformément aux instructions du fabricant.
- N'utilisez pas de nettoyeurs abrasifs ou de grattoirs métalliques pour nettoyer la vitre de la porte du four.
- N'essayez pas de faire fonctionner le four en cas de panne de courant.
- En cas de panne de courant, éteignez le four. Si le four n'est pas éteint et que le courant revient, le four peut se remettre à fonctionner. Les aliments laissés sans surveillance pourraient s'enflammer ou se gâter.

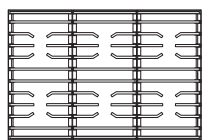
Sécurité de l'auto-nettoyage

- Pendant l'auto-nettoyage, le four fonctionne à environ 427 °C (800 °F). Ne touchez aucune surface de la cuisinière pendant un cycle d'auto-nettoyage et tenez les enfants éloignés du four.
- Avant d'utiliser le cycle d'auto-nettoyage, éliminez l'excès de résidus alimentaires du four. (L'excès de graisse peut s'enflammer et provoquer des dégâts dus à la fumée.)
- Avant le cycle d'auto-nettoyage, retirez du four tous les grilles, ustensiles de cuisson et ustensiles. Seules les grilles en porcelaine peuvent être laissées dans le four.
- Tenez-vous à l'écart lorsque vous ouvrez la porte du four après l'auto-nettoyage.
- En cas de dysfonctionnement du cycle d'auto-nettoyage, éteignez le four et le disjoncteur, puis contactez un technicien qualifié.
- Les fumées dégagées pendant l'auto-nettoyage peuvent être nocives/mortelles pour les oiseaux de compagnie. Déplacez les oiseaux dans une pièce éloignée et bien ventilée.
- N'utilisez pas de nettoyant commercial pour four ou de revêtement de protection sur l'intérieur/l'extérieur du four.

Caractéristiques du produit

Contenu de l'emballage (DOP48C96D**)

La cuisinière est livrée avec des capuchons de brûleur en laiton ou en porcelaine adaptés aux préférences du client.



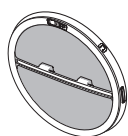
Grilles (3)



Têtes de brûleur (6) et
chapeaux de brûleur (8)



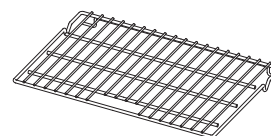
Grilles coulissantes (2)



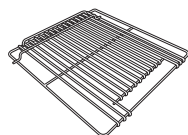
Filtres à convection (3)



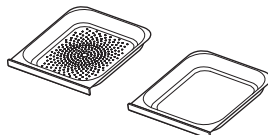
Sondes de température (2)



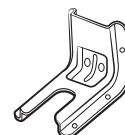
Grille métallique (1)



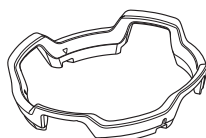
Petite grille (1)*



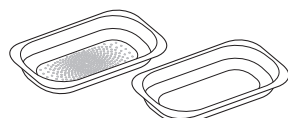
Plateaux à vapeur (2)*



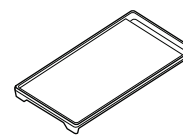
Support anti-basculement (1)



Anneau de WOK (1)



Demi plateaux à vapeur (2)*



Gril (1)

*Fours à vapeur uniquement

Outils et pièces nécessaires

Pièces nécessaires



Vanne d'arrêt de la conduite de gaz



Appareil métallique flexible connecteur 1/2 po (DI) x 5 pi



Adaptateur pour raccord évasé 3/4 po (NPT) x 1/2 po (DI)



Coude à 135 degrés (en option)



Boulon de calage ou ancrage à manchon 1/2 po (DE)



Adaptateur pour raccord évasé 1/2 po (NPT) x 1/2 po (DI)

Outils nécessaires



Tournevis plat



Tournevis cruciforme



Clé ouverte ou réglable



Clé à tuyau (2)



Tourne-écrou



Crayon et règle



Niveau



Composé pour joints de tuyaux



Couteau universel



Eau savonneuse



Perceuse avec une mèche de 1/8 po ou 3/16 po

Exigences d'installation

Liste de contrôle préalable à l'installation

1. Lisez attentivement ce manuel avant d'installer la cuisinière.
2. Prévoyez un emplacement où la cuisinière ne sera pas soumise à de forts courants d'air.
3. Retirez l'emballage, les boîtes de grille, le régulateur avec la documentation et le paquet de documentation de la cuisinière, vérifiez que tous les éléments sont présents avant de commencer l'installation.

Exigences générales

Dégagements et dimensions

- Pour les cuisinières à gaz à hotte intégrée (OTR), respectez le code du gaz local.
- Pour un fonctionnement sûr, prévoyez un espace suffisant entre la cuisinière et les surfaces combustibles. L'emplacement de la prise électrique et de la tuyauterie de gaz peut être ajusté pour respecter les dimensions et les dégagements indiqués dans ce manuel.
- La cuisinière peut être installée au ras du mur arrière. Un matériau incombustible doit être installé sur le mur arrière entre la cuisinière et la hotte. Il n'est pas nécessaire d'installer un matériau non combustible directement derrière la cuisinière. Les ouvertures dans le mur derrière la cuisinière ou dans le plancher en dessous doivent être scellées.
- Au Canada uniquement : Une cuisinière non encastrable doit être installée à au moins 4,7 po (12 cm) de toutes les surfaces adjacentes.

ATTENTION

La cuisinière est conforme à la température maximale autorisée pour les éléments de rangement en bois, soit 90 °C (194 °F). Assurez-vous que le revêtement mural, les plans de travail et les armoires adjacents peuvent supporter une telle chaleur pour éviter la décoloration, le délaminage ou la fonte.

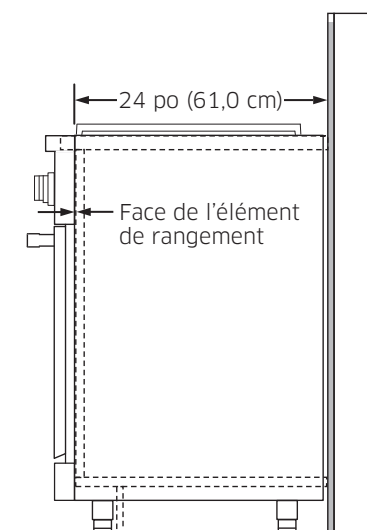
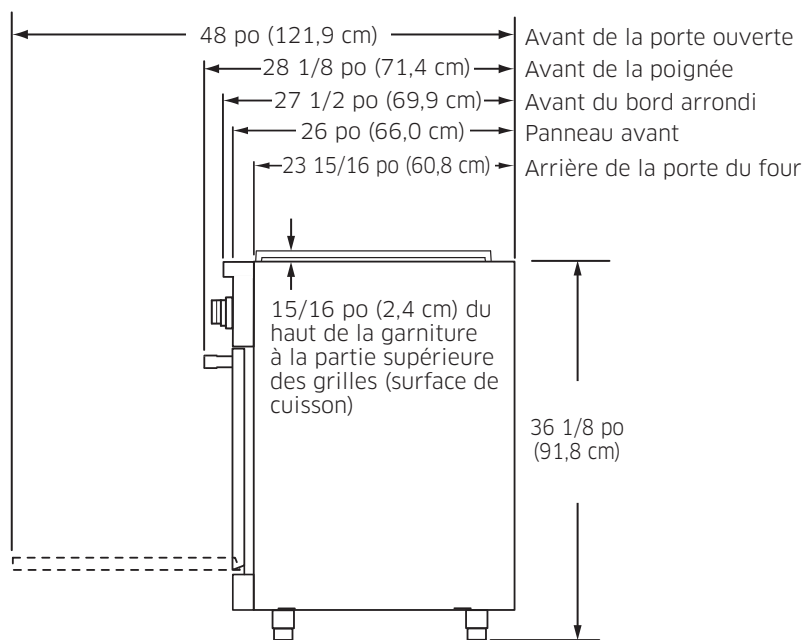
Dimensions minimales

AVERTISSEMENT

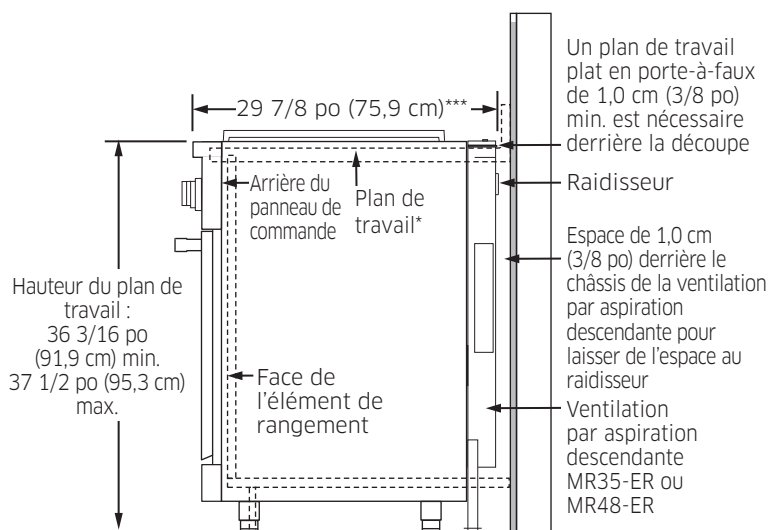
En ce qui concerne les armoires suspendues, il faut installer une hotte qui dépasse d'au moins 12,7 cm (5 po) la face de l'armoire pour dissiper la chaleur dans ces armoires. La hotte doit être constituée d'une feuille de métal d'au moins 0,0122 po d'épaisseur. Installez la hotte en laissant un espace d'au moins 1/4 po entre elle et le bas du matériau combustible ou de l'armoire métallique. La hotte doit être au moins aussi large que la cuisinière et centrée sur celle-ci. L'espace entre la surface de cuisson et le bas de la hotte doit être d'au moins 24 po. (Pour les appareils de cuisson au-dessus de la cuisinière, suivez les critères d'installation de cet appareil.)

- Un dégagement minimal de 76,2 cm (30 po) entre la surface de cuisson et le fond d'une armoire en bois/métal non protégée; ou, s'il n'y a pas de dégagement minimal de 76,2 cm (30 po), un dégagement minimal de 61 cm (24 po) lorsque le fond de l'armoire en bois/métal est protégé par un panneau d'au moins 0,64 cm (0,250 po). 250 po (0,640 cm) de panneau de particules ignifugées recouvert d'au moins une tôle d'acier MSG no 28, d'acier inoxydable de 0,015 po (0,038 cm), d'aluminium de 0,024 po (0,061 cm) ou de cuivre de 0,020 po (0,051 cm).
- Un minimum de 18 po (45,7 cm) entre le plan de travail et le fond de l'armoire adjacente.

Dimensions du produit – Tolérances du produit : $\pm 1/16$ ($\pm 1,6$ mm)
DOP48C96D** : 47 7/8 po (121,6 cm) de large



Cuisinière installée



Cuisinière installée avec ventilation par aspiration descendante

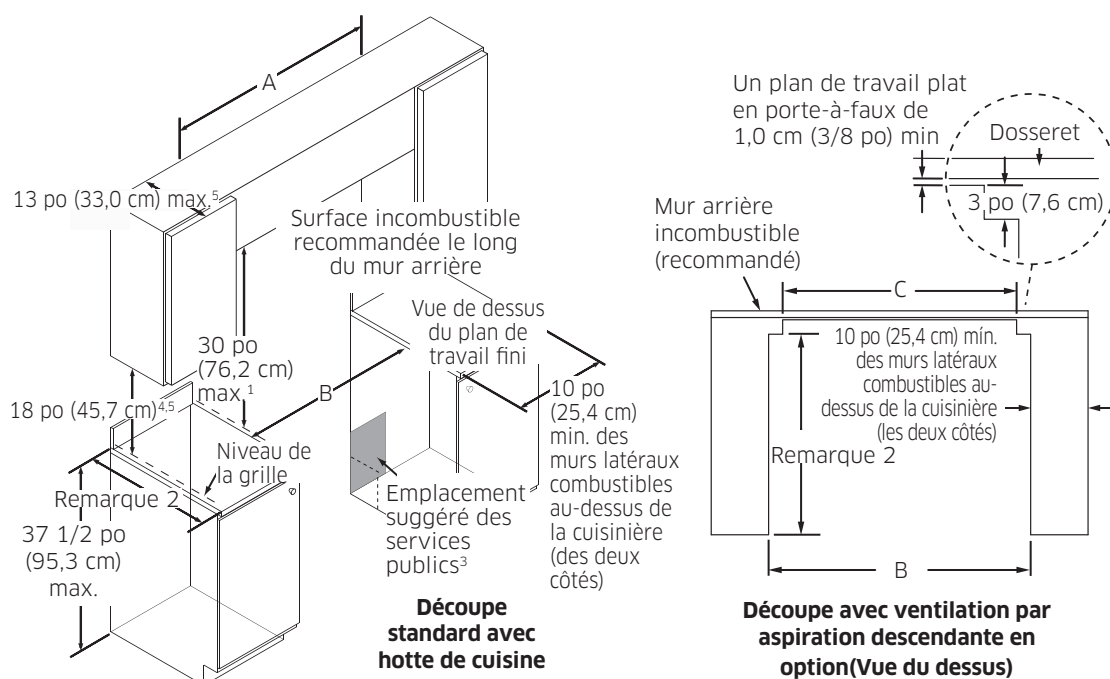
Dimensions de l'armoire

Respectez toutes les dimensions max/min et les dégagements indiqués dans les diagrammes ci-dessous pour une utilisation sûre.

Exigences d'installation

DIMENSIONS DES DÉCOUPES			
Modèle de la cuisinière	A	B	C
DOP48C96D**	54 po (137,2 cm)*; 48 po (121,9 cm)**	48 po (121,9 cm)**; 48 1/8 po (122,2 cm)***	43 1/2 po (110,5 cm)

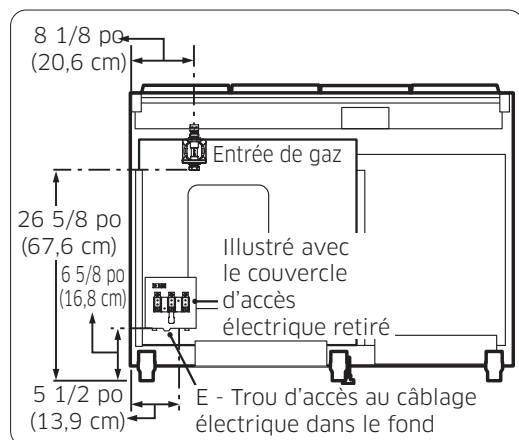
* Recommandé, ** Minimum, *** Maximum



1. Vertical entre le niveau de la grille de la cuisinière et la surface supérieure combustible; si vous installez une hotte supérieure, consultez les spécifications de la hotte pour connaître les dégagements minimaux requis.
2. La profondeur de l'armoire/du plan de travail est laissée à la discrétion du client, mais la face de l'armoire ne doit pas dépasser l'arrière du panneau frontal. (Voir les dimensions du produit, Page 13)
3. Consultez les codes locaux pour connaître les exigences exactes relatives à l'emplacement.
4. Vertical du niveau de la grille à la surface combustible.
5. Ne s'applique pas aux armoires situées à une distance horizontale de plus de 10 po (25,4 cm) du bord de la cuisinière.

Exigences relatives à l'emplacement

DOP48C96D** (arrière)



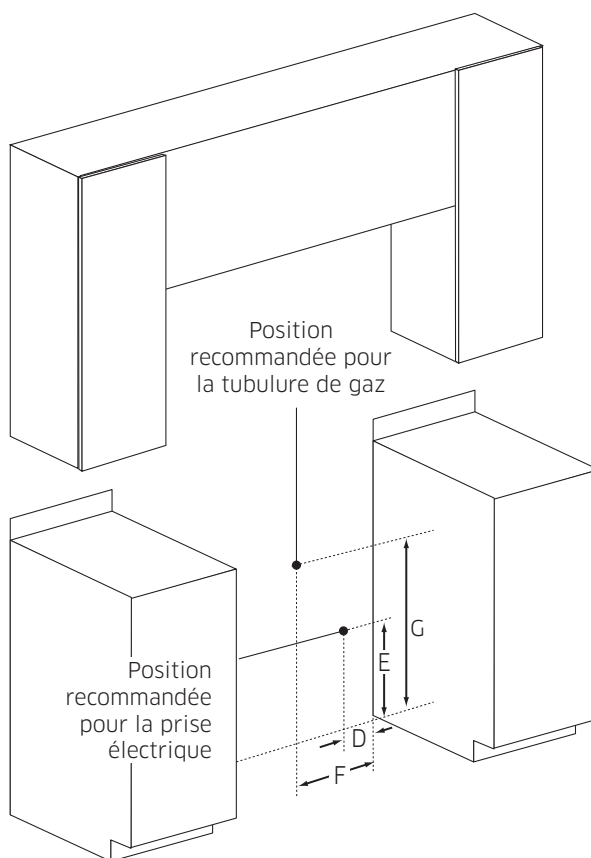
1. Mesure prise avec les pieds de l'appareil réglés à la hauteur la plus basse.
2. La taille du trou pour le câblage électrique peut être augmentée à 2,9 cm (1 1/8 po) en retirant le support de conduit au bas du boîtier électrique de la cuisinière.

Exigences d'installation

Service du gaz et de l'électricité

- Consultez ci-dessous l'emplacement recommandé de l'entrée de gaz et de la boîte de jonction électrique/ réceptacle. Les services publics existants peuvent être utilisés s'ils sont compatibles avec cette gamme. Vérifiez les codes de construction locaux pour les emplacements autorisés des vannes de gaz.
- Une vanne d'arrêt manuel externe doit être installée entre l'entrée de gaz et la cuisinière afin de pouvoir ouvrir/fermer l'alimentation en gaz de la cuisinière. L'installation doit permettre d'accéder à la bouteille d'arrêt de gaz lorsque l'appareil est installé et d'accéder au panneau de disjoncteurs à distance/boîte à fusibles sans déplacer la cuisinière.
- La tuyauterie d'alimentation en gaz et la vanne d'arrêt, ainsi que la boîte de jonction/réceptacle électrique doivent être situés de manière à ne pas interférer avec la cuisinière lorsqu'elle est installée.
- La boîte de jonction et la vanne d'arrêt du gaz doivent être situés de façon à ce que la cuisinière puisse être retirée pour l'entretien sans être débranchée.

Modèle	D	E	F	G
DOP48C96D**	5 1/2 po (13,9 cm)	6 5/8 po (16,8 cm)	8 1/8 po (20,6 cm)	26 5/8 po (67,6 cm)



Exigences en matière de gaz

Fournir une alimentation en gaz adéquate

L'installation de cette cuisinière doit être conforme aux codes locaux ou, à défaut, au National Fuel Gas Code, ANSI Z223.1/ NFPA 54 dernière édition.

La table de cuisson de cette cuisinière est conçue pour fonctionner à une pression du collecteur de 13 cm (5 po) de colonne d'eau pour le gaz naturel/gaz naturel à haute altitude (NG-H) ou de 25,4 cm (10 po) de colonne d'eau pour le gaz propane/gaz naturel à haute altitude (LP-H).

Vérifiez que le four est adapté au service de gaz fourni.

Lors de la vérification du fonctionnement du régulateur, la pression d'entrée doit être supérieure d'au moins 2,5 cm (1 po) à la pression de fonctionnement (collecteur) indiquée.

EXIGENCES EN MATIÈRE DE PRESSION D'ALIMENTATION EN GAZ*		
Type de gaz	Pression minimale du collecteur	Pression minimale d'alimentation en gaz**
Gaz naturel	Colonne d'eau de 5 po	Colonne d'eau de 6 po
Gaz LP (propane)	Colonne d'eau de 10 po	Colonne d'eau de 11 po

*La pression d'alimentation en gaz pour tester le réglage du régulateur doit être supérieure d'au moins 1 pouce de colonne d'eau (249 Pa) à la pression spécifiée du collecteur;

**Pression maximale d'alimentation en gaz pour tous les modèles : 1/2 psi.

REMARQUE

- Le régulateur de pression à l'entrée du collecteur de la table de cuisson doit rester dans la conduite d'alimentation, que l'on utilise ou non du gaz naturel ou du gaz de pétrole liquéfié.
- Utilisez uniquement le régulateur de la cuisinière, qui doit être installé sur la conduite de gaz allant de l'entrée de gaz de la table de cuisson à la vanne d'arrêt du gaz.
- Une vanne d'arrêt manuelle externe doit être installée entre l'entrée de gaz et la cuisinière pour ouvrir/fermer le gaz à l'appareil.
- Assurez-vous que l'installation des connecteurs est effectuée par un installateur qualifié.
- Pour éviter les fuites et les blessures, ne jamais installer de connecteurs usagés sur un produit neuf. Utiliser uniquement des connecteurs neufs et flexibles.

Exigences particulières en matière de gaz (modèles à gaz vendus dans le Massachusetts)

AVERTISSEMENT

- Une fuite de gaz peut se produire dans votre système, ce qui peut créer une situation dangereuse. De telles fuites peuvent ne pas être détectées par une simple odeur; les compagnies de gaz recommandent donc d'installer un détecteur de gaz approuvé par les UL, conformément aux spécifications du fabricant.
- La cuisinière doit être installée par un plombier ou un installateur de gaz certifié par l'État du Massachusetts.
- Une vanne de gaz manuelle à poignée en T DOIT être installée sur la conduite d'alimentation en gaz de votre cuisinière.
- Si vous utilisez un connecteur de gaz flexible, il ne faut pas connecter plusieurs lignes en série.

Exigences d'installation

Exigences électriques

Respectez ces instructions pour réduire les risques de dommages matériels, de blessures corporelles ou du décès.

AVERTISSEMENT

Le propriétaire doit s'assurer que le service électrique est conforme aux exigences et que la prise électrique est installée par un électricien agréé.

Toutes les gammes

- Branchez la cuisinière sur une prise de courant à 3 broches avec mise à la terre.
- **Ne retirez pas** la broche de mise à la terre.
- **N'utilisez pas** d'adaptateur ou de rallonge.
- **N'utilisez pas** une prise ou un cordon d'alimentation endommagés, ni une prise électrique mal fixée.
- **Ne modifiez pas** la fiche, le cordon ou la prise d'alimentation.
- **Ne placez pas** de fusible dans un circuit neutre ou de mise à la terre.
- Utilisez un disjoncteur dédié de 240 Vac, 60-Hz, 50-Amp pour cette cuisinière. Un fusible à retardement ou un disjoncteur est recommandé. Ne branchez pas plus d'un appareil sur ce circuit.
- **Ne branchez pas** le fil de terre à des conduites en plastique de plomberie, de gaz ou d'eau chaude.
- Cette cuisinière **doit être mise à la terre**. En cas de dysfonctionnement ou de panne de la cuisinière, la mise à la terre réduit le risque de choc électrique en fournissant un chemin sûr pour le courant. Le cordon d'alimentation de cette cuisinière est muni d'une fiche de mise à la terre, qui doit être fermement branchée dans une prise de courant correctement installée et mise à la terre conformément aux réglementations locales. Si vous n'êtes pas sûr que votre prise électrique est correctement mise à la terre, faites-la vérifier par un électricien agréé.
- L'alimentation électrique de la cuisinière doit être conforme aux codes locaux. En l'absence de codes locaux, il doit être conforme à la norme ANSI/NFPA n° 70 - Dernière révision (pour les États-Unis) ou au Code canadien de l'électricité CSA C22.1 - Dernières révisions.
- Le propriétaire de la cuisinière doit s'assurer qu'il dispose d'un service électrique approprié.

Instructions d'installation

Préparation de l'installation

⚠ AVERTISSEMENT

- Si la connexion au gaz ou à l'électricité fournie n'est pas conforme aux caractéristiques du produit, ne procédez pas à l'installation. Appelez le revendeur, la compagnie de gaz ou un électricien agréé.
- Avant d'installer la cuisinière, vous devez localiser et fixer le support anti-basculement au sol.

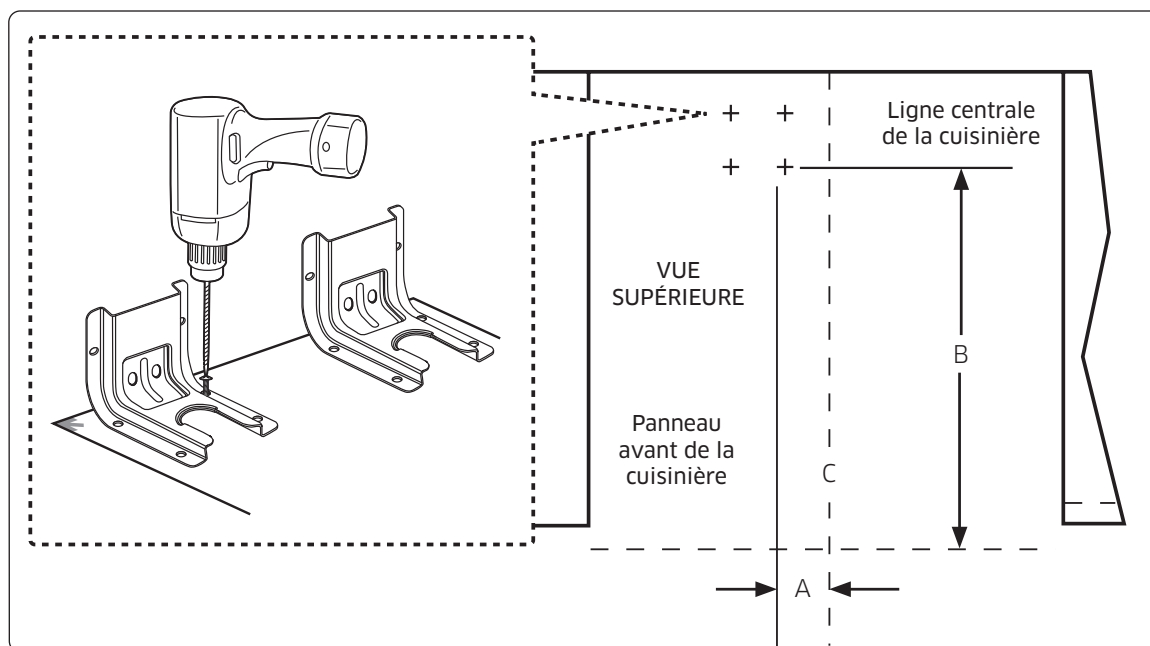
Déballer la cuisinière

Déballer la boîte des pièces et assurez-vous que tous les composants requis ont été fournis. Si un article est absent ou endommagé, veuillez contacter votre revendeur immédiatement. N'installez pas un appareil endommagé ou incomplet.

Installation du dispositif anti-basculement

⚠ AVERTISSEMENT

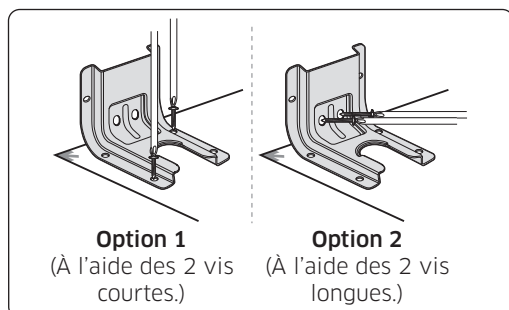
- Pour réduire le risque de basculement, l'appareil doit être sécurisé en installant correctement le dispositif anti-basculement fourni avec l'appareil.
- Toutes les cuisinières peuvent basculer et entraîner des blessures corporelles.
- Les cuisinières qui basculent peuvent provoquer des brûlures dues à des déversements, des blessures et/ou la mort.
- Pour éviter tout basculement accidentel, installez et vérifiez le support anti-basculement.



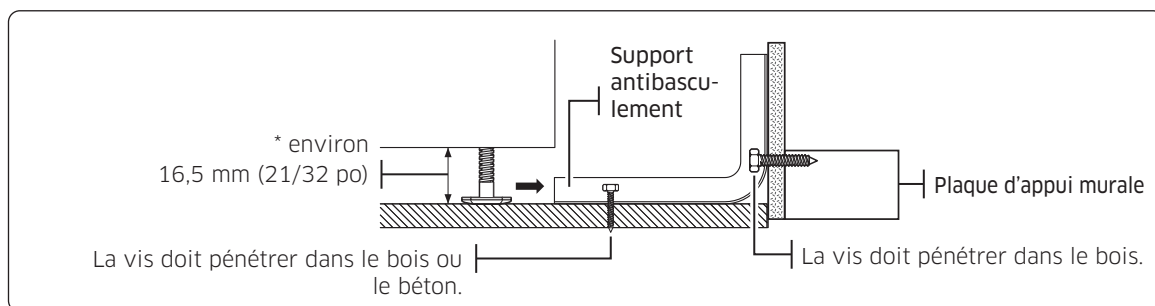
1. Si le support doit être monté sur un plancher en bois, utilisez une perceuse avec une mèche de 1/8 po pour percer les quatre trous. Si le support doit être monté sur un plancher en ciment ou en céramique, utilisez une perceuse avec une mèche de 3/16 po pour les quatre trous.

PLACEMENT DU SUPPORT ANTI-BASCULEMENT	
Dim.	DOP48C96D**
A	5 1/16 po (5.2 cm)
B	22 11/16 po (57.6 cm)

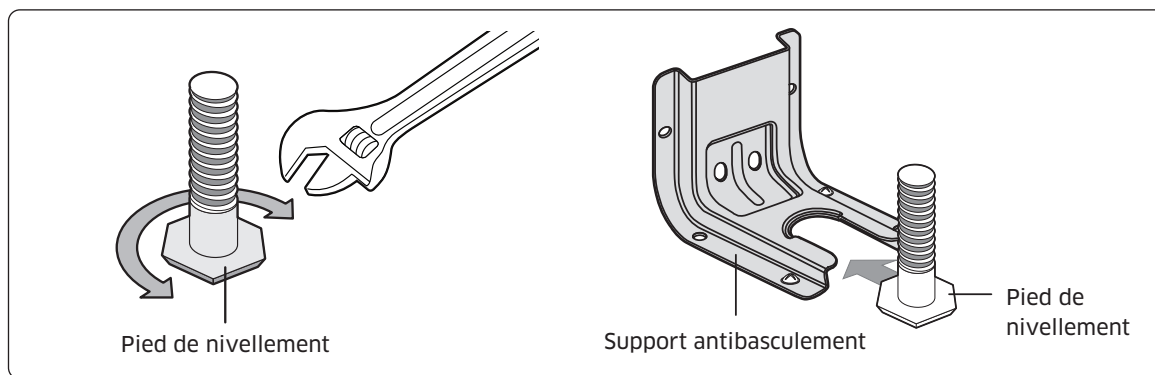
Instructions d'installation



2. Alignez les trous du support anti-basculement avec les trous du sol ou de la plaque murale, comme indiqué dans les options 1 et 2. Fixez le support en place à l'aide d'un tournevis cruciforme et en utilisant deux des quatre vis fournies.



3. Mettez la cuisinière à niveau en réglant les pieds à l'aide d'une clé. Utilisez un niveau à bulle pour vérifier vos réglages. Branchez le cordon d'alimentation dans la prise de terre. Remettez la cuisinière en position. Pour vérifier visuellement que la patte de mise à niveau arrière est insérée dans le support, saisissez le bord supérieur arrière de la cuisinière et essayez délicatement de l'incliner vers l'avant.



REMARQUE

Pour installer le support anti-basculement, libérez le pied de nivellement à l'aide d'une clé à tuyau, car du Loctite est appliqué sur le boulon pour le déverrouillage par vibration. Un dégagement minimum de 16,5 mm (21/32 po) est nécessaire entre le fond de la cuisinière et le sol de la cuisine.

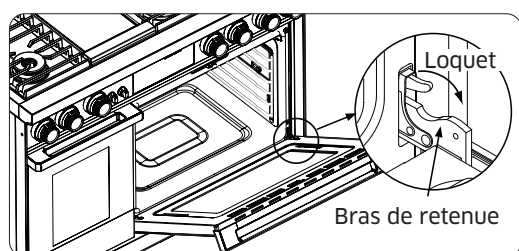
Pour vérifier si le support est bien installé et enclenché, retirez le panneau de protection et regardez sous la cuisinière pour voir si le pied de nivellement est enclenché dans le support. Faites basculer la cuisinière vers l'avant avec précaution. Le support devrait arrêter la cuisinière à moins de 10,2 cm (4 pouces) de basculement. Si ce n'est pas le cas, il doit être réinstallé.

Si la cuisinière est retirée du mur pour une raison quelconque, répétez toujours cette procédure pour vérifier si la cuisinière est correctement fixée par le support anti-basculement. Ne retirez jamais complètement les pieds de nivellement, sinon la cuisinière ne sera pas correctement fixée au dispositif anti-basculement.

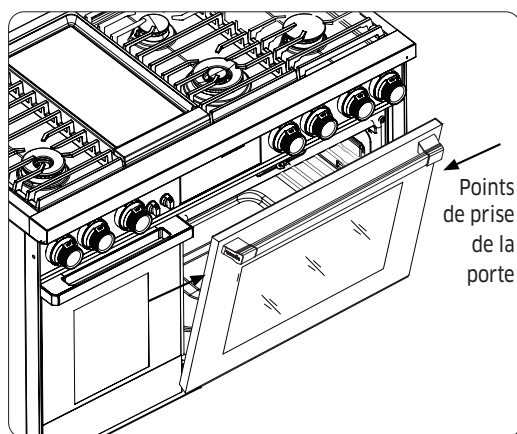
Retrait de la porte du four

AVERTISSEMENT

- Ne pas essayer de débloquer les loquets des charnières quand les portes sont retirées. Les ressorts de la charnière pourraient se détacher et provoquer des blessures.
- Ne soulevez pas et ne portez pas la ou les portes du four par la poignée.



1. Ouvrez la porte complètement.
2. Avec une pince à bec effilé ou un tournevis à fente, faites tourner le loquet sur le bras de retenue de chaque charnière.



3. Ouvrez la porte du four à un angle d'environ 15° par rapport à la verticale.
4. Avec vos deux mains, saisissez la porte juste en dessous de la poignée, et tirez légèrement vers le haut.
5. Sur le bord inférieur droit de la porte, retirez le connecteur de fils et débranchez les fils.
6. Ouvrez la porte en l'éloignant du four.

Instructions d'installation

Connexion électrique

Pour votre sécurité personnelle, n'utilisez pas de rallonge électrique avec la cuisinière. Retirez le fusible domestique ou ouvrez le disjoncteur avant de commencer l'installation.

La cuisinière doit être alimentée par la tension et la fréquence appropriées et être connectée à un circuit de dérivation individuel, correctement mis à la terre et protégé par un disjoncteur ou un fusible dont l'intensité de courant est indiquée sur la plaque signalétique (garniture de porte gauche). Le branchement électrique de la cuisinière doit être effectué par un électricien qualifié. Après l'installation, demandez à l'électricien de vous montrer où couper le courant de la cuisinière. Consultez les services publics locaux pour connaître les codes applicables. Le non-respect de ces codes pour le câblage de votre four peut entraîner un risque de sécurité. En l'absence de tels codes, votre cuisinière doit être câblée et munie de fusibles conformément au Code national de l'électricité, ANSI/NFPA n° 70 - dernière édition. Pour une copie, écrivez : Association nationale de protection contre l'incendie, Batterymarch Park, Quincy, MA 02269

En vigueur depuis le 1er janvier 1996, le Code national de l'électricité exige que les nouvelles constructions utilisent une connexion à 4 conducteurs pour une cuisinière électrique. Lorsque vous installez une cuisinière électrique dans une nouvelle construction, suivez les étapes 2 et 3 pour un branchement à 4 fils.

- Vous devez utiliser un courant alternatif monophasé à 3 ou 4 fils. Un système électrique de 240 volts, 60 hertz est requis. Si le service électrique de la maison ne répond pas aux spécifications ci-dessus, demandez à un électricien agréé d'installer une prise approuvée.
- Utilisez uniquement un cordon de cuisinière à 3 ou 4 conducteurs homologué UL. Ces cordons peuvent être équipés de bornes à anneau sur le fil et d'un dispositif de décharge de traction.
- Un cordon de cuisinière de 40 A avec une plage de tension minimale de 125/250 V est nécessaire. (Un cordon de cuisinière de 50 A n'est pas recommandé, mais s'il est utilisé, il doit être marqué pour être utilisé avec des ouvertures de branchement d'un diamètre nominal de 1 $\frac{3}{4}$ po. Il faut bien centrer le câble et la décharge de traction dans le trou défonçable pour éviter que le bord n'endommage le câble.)
- Étant donné que les bornes de la cuisinière sont inaccessibles lorsque la cuisinière est en place, il faut utiliser un conduit/cordon d'alimentation flexible.



REMARQUE

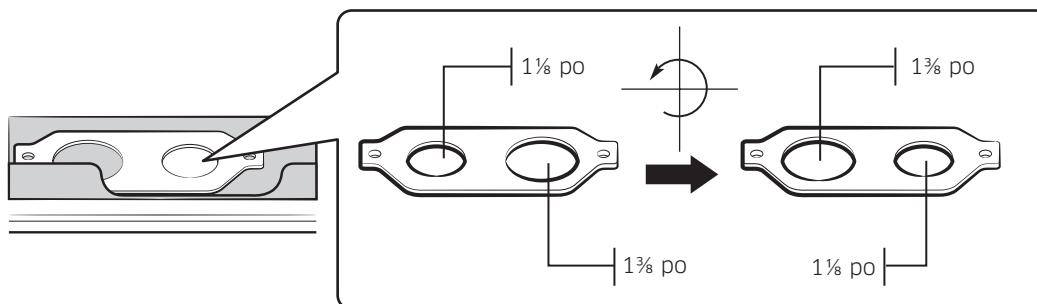
En cas d'utilisation d'un conduit, voir page 23.



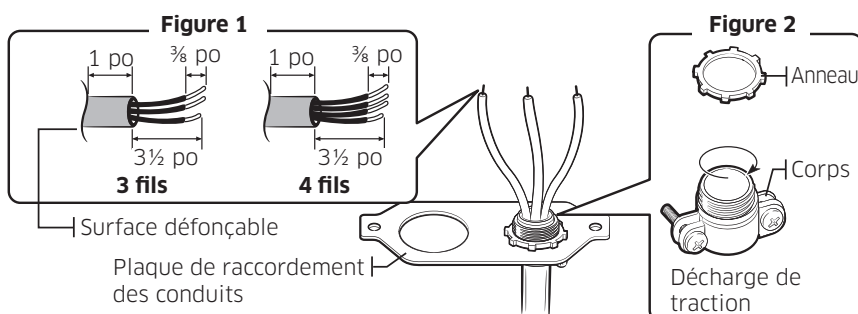
TOUTES LES NOUVELLES CONSTRUCTIONS DE CIRCUITS DE DÉRIVATION, LES MAISONS MOBILES, LES VÉHICULES DE LOISIRS ET LES INSTALLATIONS OÙ LES CODES LOCAUX INTERDISSENT LA MISE À LA TERRE PAR LE NEUTRE, NÉCESSITENT UN CORDON D'ALIMENTATION À 4 CONDUCTEURS HOMOLOGUÉ UL.

Installation du conduit flexible

Retirez la plaque de raccordement de conduit à l'arrière du corps du tiroir et faites-la pivoter comme indiqué. (Utilisez le trou de 1½ po.)



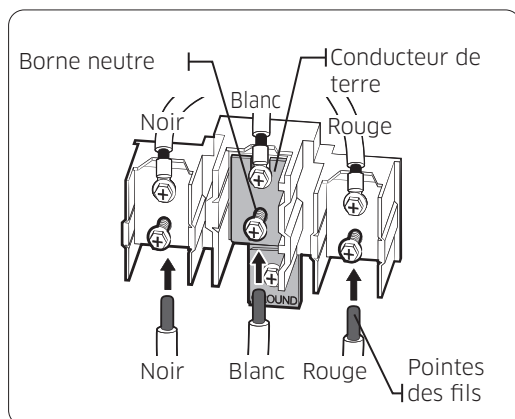
1. Préparez le cordon de conduit (Figure 1).
2. Installez le cordon de conduit (Figure 2).



Installations de conduits : Installez la décharge de traction (non fournie) dans le trou de conduit de 1½ po, faites passer le cordon de conduit à travers le corps de la décharge de traction et fixez l'anneau, puis réinstallez le support.

Installation d'un conduit à 3 fils

- Un fil de construction en aluminium peut être utilisé, toutefois celui-ci doit être calibré selon l'ampérage et la tension appropriés. Branchez les fils selon l'étape 4 en fonction du nombre de fils.
- Le fil utilisé, l'emplacement et le boîtier des épissures, etc., doivent être conformes aux bonnes pratiques de câblage et aux codes locaux.

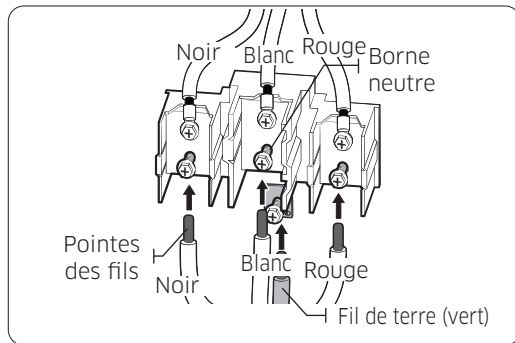
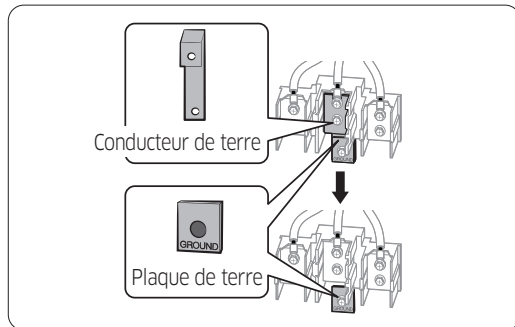


1. Desserrez les trois vis inférieures du bornier.
2. Insérez la pointe du fil nu blanc/neutre dans l'ouverture du bornier central inférieur. (Sur modèles, le fil est inséré dans l'ouverture du conducteur de terre, puis dans l'ouverture du bornier central inférieur.)
3. Installez les pointes des fils gauche et droit dans leurs ouvertures respectives du bloc.
4. Serrez les vis à 35 à 50 po/lbs. (Un serrage plus fort peut endommager les fils.)

Instructions d'installation

Installation d'un conduit à 4 fils

- Un fil de construction en aluminium peut être utilisé, toutefois celui-ci doit être calibré selon l'ampérage et la tension appropriés. Branchez les fils selon cette étape 4 en fonction du nombre de fils.
- Le fil utilisé, l'emplacement et le boîtier des épissures, etc., doivent être conformes aux bonnes pratiques de câblage et aux codes locaux.



1. Dévissez les 3 vis inférieures du bornier. Retirez et conservez la vis de terre et la plaque de terre.
2. Coupez et jetez le conducteur de terre. Ne jetez aucune vis.
3. Insérez la pointe du fil nu de terre entre le cadre de la cuisinière et la plaque de terre (retirée précédemment), et fixez-la avec la vis de terre (retirée précédemment).
4. Insérez la pointe du fil (blanc/neutre) à travers l'ouverture du bornier central inférieur.
5. Installez les pointes des fils gauche et droit dans leurs ouvertures respectives du bloc.
6. Serrez les vis à 35 à 50 po/lbs. (Un serrage plus fort peut endommager les fils.)

Raccord de gaz

⚠ AVERTISSEMENT

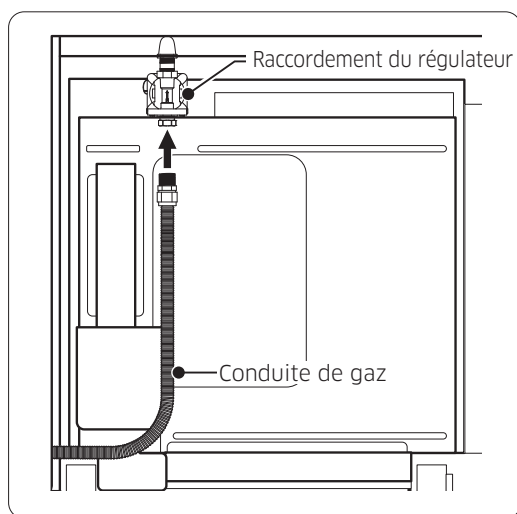
- Fermez la vanne d'alimentation en gaz et mettez la cuisinière hors tension au niveau du disjoncteur ou de la boîte à fusibles avant de raccorder la conduite de gaz.
- N'appliquez pas de pression excessive lorsque vous serrez les raccords de gaz.
- N'utilisez pas de ruban en téflon ou de mastic de plombier sur les raccords de la conduite flexible de gaz.
- La pression maximale d'alimentation en gaz du régulateur ne doit pas dépasser ½ psi (livres par pouce carré) ou 3,5 kPa.
- La cuisinière et la vanne d'arrêt doivent être déconnectées de la tuyauterie d'alimentation en gaz pour les tests de pression qui dépassent ½ psi (3,5 kPa).
- La cuisinière doit être isolée de la tuyauterie d'alimentation en gaz par la fermeture de la vanne d'arrêt pour un test de pression égal ou inférieur à ½ psi (3,5 kPa).
- Vérifiez l'étanchéité de toutes les conduites de gaz conformément aux instructions pour prévenir les risques d'incendie/explosions. Ne vérifiez pas les fuites avec une flamme.

📄 REMARQUE

Le régulateur de pression de gaz est réglé en usine pour le type de gaz utilisé avec la cuisinière. Pour vérifier que la cuisinière est compatible avec le gaz disponible, consultez l'étiquette signalétique (garniture de la porte gauche du four). Consultez votre revendeur si la cuisinière est incompatible avec le gaz fourni.

À propos des fonctions du four

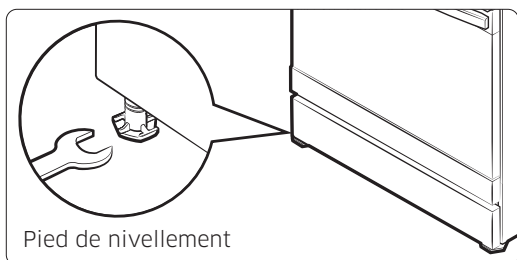
Avant de glisser la cuisinière dans l'armoire



1. Fermez le vanne d'alimentation en gaz et coupez l'alimentation de la cuisinière.
2. Raccordez une conduite de gaz flexible à la vanne d'arrêt installé sur la tubulure. La conduite doit être suffisamment longue pour que la cuisinière puisse être retirée pour l'entretien sans être débranchée.
3. Faites glisser la conduite de gaz à travers les trous d'accès du châssis jusqu'au régulateur. (Déplacez les fils à l'intérieur des trous d'accès pour éviter qu'ils ne s'accrochent à la conduite de gaz.)
4. Raccordez la conduite de gaz au régulateur.
5. Éteignez toutes les commandes de la table de cuisson, puis ouvrez l'alimentation en gaz.
6. Vérifiez l'étanchéité de toutes les conduites et de tous les raccords avec une solution d'eau et de savon.
7. Fermez la vanne d'alimentation en gaz.

Instructions d'installation

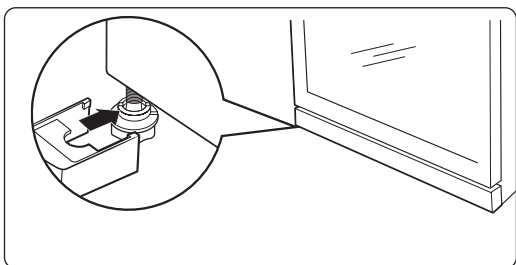
Installation finale



1. Assurez-vous que la cuisinière est positionnée à l'endroit souhaité.
2. À l'aide d'une clé, mettez la cuisinière à niveau en tournant les pieds de nivellement avant vers l'intérieur ou l'extérieur, selon les besoins. Dans le sens antihoraire, le pied se raccourcit et la cuisinière s'abaisse. Dans le sens horaire, le pied s'allonge et la cuisinière s'élève.

REMARQUE

- Le réglage des deux pieds avant est généralement suffisant, toutefois, il convient de régler les quatre pieds le cas échéant.
 - Ne réglez les pieds de nivellement que dans la mesure où cela est nécessaire pour mettre la cuisinière à niveau. Le fait d'allonger les pieds de nivellement plus que nécessaire ou de retirer des pieds peut rendre la cuisinière instable.
3. Si la cuisinière se trouve à côté ou entre des armoires, assurez-vous que la table de cuisson (sans les grilles des brûleurs de surface) est de niveau avec les comptoirs.
 4. Placez une grille de four à la position de la grille centrale.
 5. Vérifiez le niveau de la cuisinière avec un niveau de menuisier en appliquant les deux positions indiquées à droite.
 6. Une fois que la cuisinière est de niveau, éloignez-la du mur en la faisant glisser pour pouvoir installer le support anti-basculement.
 7. Après avoir installé et mis à niveau la cuisinière, installez les couvre-jambes avant (droit et gauche).



Réinstallation de la ou des portes du four

AVERTISSEMENT

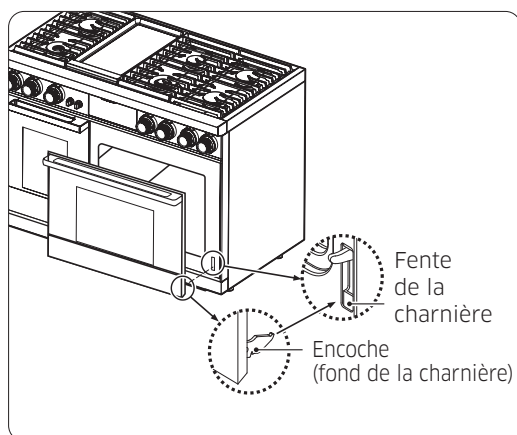
Pour éviter de vous blesser ou d'endommager la porte en la faisant tomber de ses charnières :

- Assurez-vous que l'encoche située au bas de chaque charnière repose sur la lèvre inférieure de chaque logement de charnière avant d'essayer d'ouvrir la porte du four.
- Faites basculer les verrous de charnière vers l'avant de la cuisinière immédiatement après l'installation de la porte.

1. Saisissez la porte du four des deux côtés, et tenez-la à un angle de 15° par rapport à l'avant du four. Faites glisser les charnières dans leurs fentes, en faisant reposer le bas des bras de charnière sur les réceptacles de charnière. Maintenez l'angle de 15° d'une main tout en poussant sur chaque coin inférieur de la porte, jusqu'à ce que l'encoche au bas de chaque charnière glisse sur la lèvre inférieure de chaque logement de charnière.

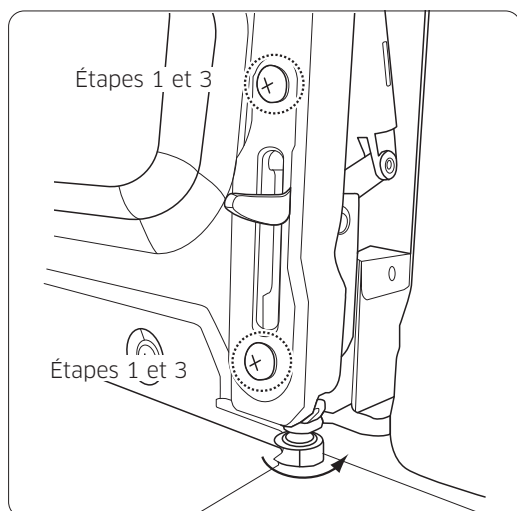
REMARQUE

Le connecteur de fil situé sous le côté droit de la porte doit être connecté.



2. Abaissez la porte en position d'ouverture complète.
3. Faites pivoter les deux verrous de charnière vers le four.
4. Ouvrez et fermez lentement et soigneusement la porte pour vous assurer qu'elle est correctement installée.
5. Retirez tout emballage à l'intérieur du ou des fours.

Réglage de la porte

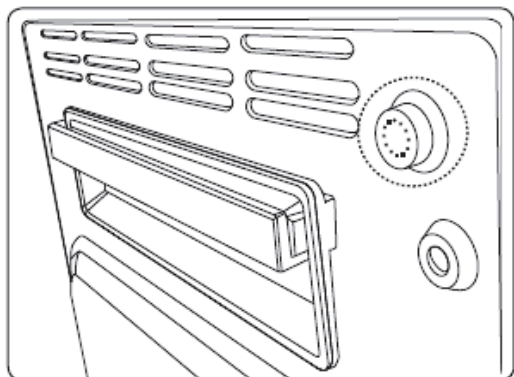


Assurez-vous que les portes du four sont parallèles et alignées. Pour ce faire, utilisez les trois boulons (un sur le côté supérieur droit et un sous chaque charnière). Le boulon supérieur permet de régler la porte horizontalement. Les deux boulons inférieurs permettent de régler la porte verticalement.

Pour régler la porte verticalement :

1. Retirez la porte, puis retirez 2 vis sur chaque loquet de charnière de porte.
2. Ajustez le boulon sous chaque loquet.
3. Réattachez et serrez les 2 vis.
4. Réinstallez la porte.

Instructions d'installation



REMARQUE

Si vous soulevez trop les loquets des charnières de la porte, il sera difficile de fixer les deux vis.

Installation des boutons de commande du brûleur

AVERTISSEMENT

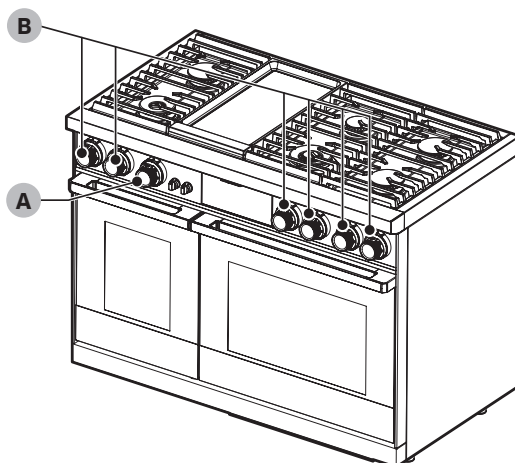
Si les boutons de la cuisinière sont installés dans une mauvaise position, la plaque de cuisson fournie avec la cuisinière risque d'être endommagée. Les boutons des brûleurs centraux sont marqués en fonction des réglages maximum de la plaque.

REMARQUE

Pour installer les boutons, alignez l'ouverture en forme de « D » à l'arrière du bouton avec l'extrémité de la tige de la valve. Poussez doucement le bouton jusqu'à ce qu'il s'arrête.

Deux types de boutons sont fournis avec la cuisinière : Le gril (sans icône de flamme) et le brûleur.

1. Placez le bouton du gril sur la position **A**.
2. Placez les autres boutons sur la position **B**.

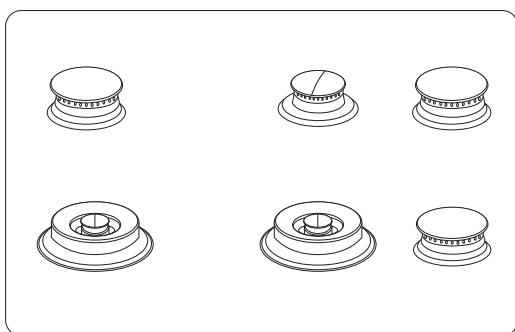


Assemblage de la table de cuisson

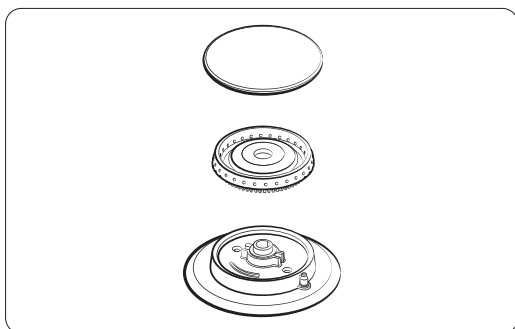
Assemblage des brûleurs

ATTENTION

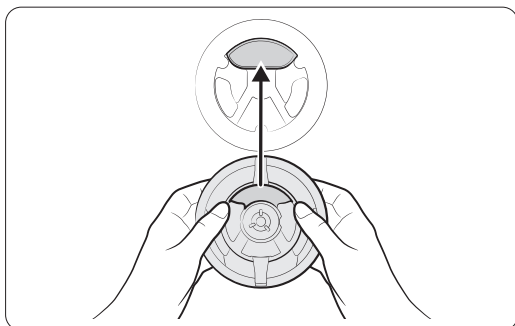
- Ne faites pas fonctionner les brûleurs de la table de cuisson s'ils ne sont pas correctement assemblés.
- N'enfoncez pas un bouton de la table de cuisson tout en retirant le brûleur; une légère décharge électrique pourrait en résulter.
- Ne retirez pas le couvercle et ne touchez pas une électrode de brûleur lorsqu'un autre brûleur est allumé.



1. Placez les têtes de brûleur sur les bases de brûleur comme indiqué à gauche. (Les électrodes s'insèrent dans la fente située au bas des têtes.) Les têtes doivent être plates et parallèles à la table de cuisson.
2. Placez les chapeaux de taille correspondante au dessus de chaque tête de brûleur de la cuisinière.

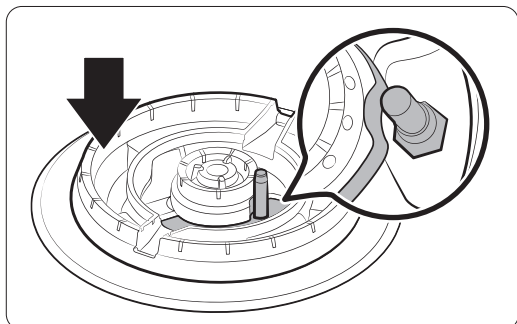


Double tête/chapeau de brûleur

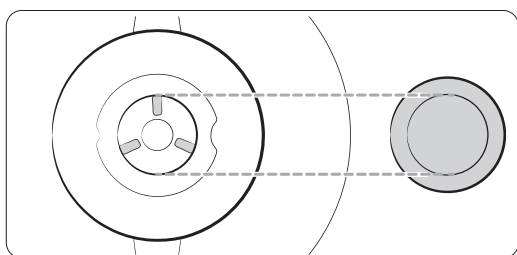


1. Orientez la tête du brûleur de sorte que l'ouverture de l'électrode soit alignée avec l'électrode.

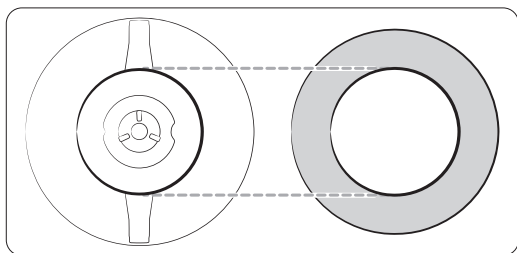
Instructions d'installation



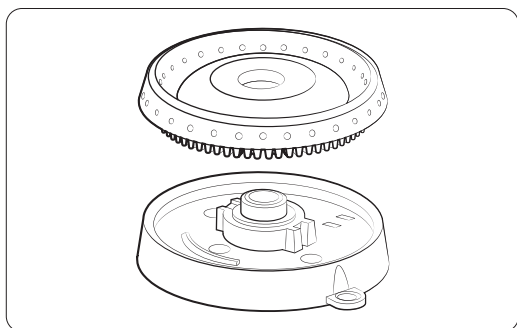
2. Installez la tête du brûleur de manière à ce que l'électrode traverse l'ouverture prévue à cet effet dans la tête. Assurez-vous que la tête du brûleur repose à plat sur la base.



3. Faites correspondre les chapeaux des brûleurs aux brûleurs par taille, puis installez les chapeaux sur les têtes.



Tête/chapeau de brûleur rond



1. Placez les têtes de brûleur sur les bases de brûleur comme illustré à gauche. Le bas de la tête s'insère dans la base du brûleur.
2. Tournez la tête jusqu'à ce qu'elle tombe en place. Tournez légèrement la tête d'avant en arrière pour vous assurer qu'elle est bien en place.
3. Placez les chapeaux de brûleur (en laiton ou en porcelaine) sur les têtes de brûleur. L'arête autour du bord inférieur du chapeau s'adapte à la partie supérieure de la tête du brûleur.

ATTENTION

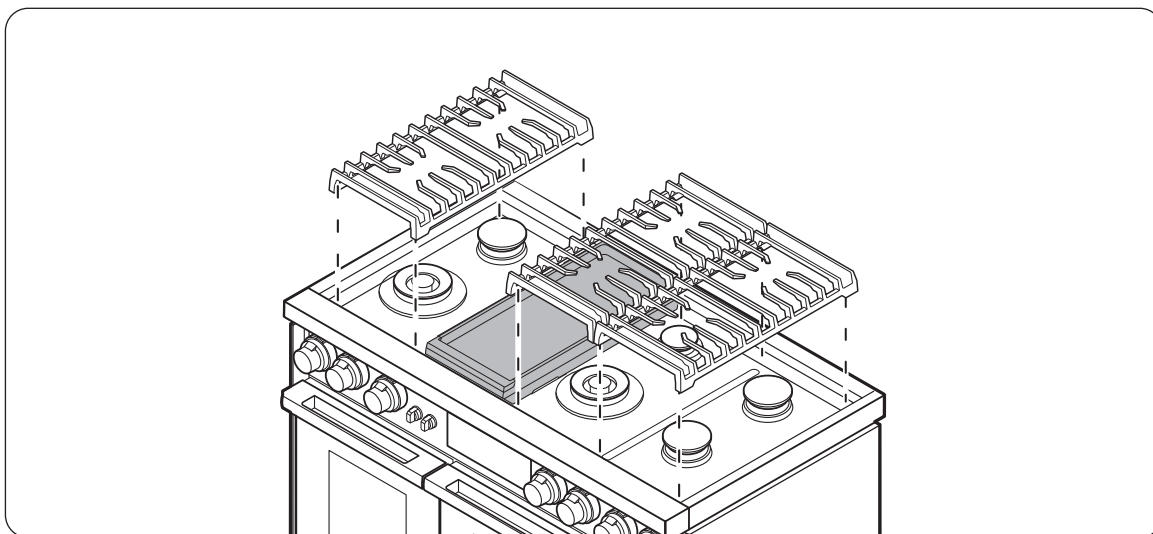
Assurez-vous que tous les composants du brûleur (têtes et chapeaux) reposent à plat et bien en place.

Installation des grilles

Pour de meilleurs résultats et une durée de vie plus longue, installez les grilles comme indiqué. Lorsqu'elles sont installées correctement, les ouvertures des grilles sont centrées sur les brûleurs. Les grilles ont des emplacements spécifiques sur la table de cuisson. Pour une stabilité maximale et un fonctionnement sûr, ces grilles ne doivent être utilisées que dans leur position correcte. L'arrière de la grille de droite est entaillé pour aider à orienter les grilles correctement. (Voir le graphique ci-dessous.)

Pour bien placer les grilles :

1. Trouvez l'encoche à l'arrière de la grille de droite et orientez-la correctement au-dessus des brûleurs de droite.
2. Abaissez doucement la grille de droite pour que ses pattes reposent dans les alvéoles correspondantes de la table de cuisson.
3. Procéder de même pour les autres grilles en veillant à ce que leurs branches soient placées dans les creux correspondants.



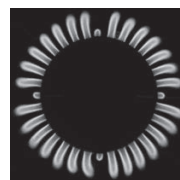
REMARQUE

Les grilles ne sont pas interchangeables. Chaque grille possède sa propre gravure en dessous. Elle vous indique la face avant de la grille et sa position correcte, à gauche, au centre ou à droite.

Instructions d'installation

Vérification du bon fonctionnement

1. Avant de lancer la procédure de test, éteignez tous les brûleurs et vérifiez que tous les éléments du brûleur et les grilles sont correctement positionnés.
2. Ouvrez la vanne d'alimentation en gaz et vérifiez l'absence de fuites de gaz.
3. Mettez la cuisinière sous tension au niveau du disjoncteur ou de la boîte à fusibles.
4. Utilisez l'affichage du four pour définir les préférences de l'utilisateur et les réglages du réseau sans fil.
5. Sur l'écran, appuyez sur MENU > BAKE (CUISSON). (La température de cuisson par défaut doit apparaître.)
6. Appuyez sur Start (Démarrer). Au bout de 3 minutes, ouvrez la porte pour vérifier que la chambre du four est en train de chauffer. (L'écran doit afficher BAKE (CUISSON) et la température de préchauffage.)
7. Appuyez sur **OFF**.
8. Enfoncez un bouton, et tournez-le dans le sens antihoraire jusqu'à HIGH (ÉLEVÉ). (Dans les 4 secondes, l'allumage se produit et l'allumeur cesse de produire des étincelles. Si l'allumage ne se produit pas comme prévu, éteignez le bouton, attendez 5 minutes pour que le gaz se dissipe, puis refaites le test.)
9. Après l'allumage, tournez le bouton de commande de HIGH (ÉLEVÉ) à LOW (FAIBLE) tout en surveillant la hauteur de la flamme. Si la cuisinière est installée correctement, la flamme est régulière et silencieuse avec un cône intérieur bleu et pointu dont la longueur varie en fonction de la taille du brûleur.
10. Mettez le bouton de commande sur **OFF (arrêt)**.
11. Répétez le test d'allumage pour les autres brûleurs.



Flamme normale

Si la cuisinière ne fonctionne pas correctement :

1. Vérifiez que la cuisinière est alimentée en électricité et en gaz.
2. Vérifiez les connexions électriques et l'alimentation en gaz pour vous assurer que l'installation est correcte.
3. Répétez le test de cuisson et le test d'allumage des brûleurs ci-dessus.
4. Si la cuisinière ne fonctionne toujours pas, contactez le service clientèle de Dacor : 833-353-5483 (États-Unis), 844-509-4659 (Canada). Munissez-vous des numéros de modèle et de série. (L'étiquette de données est située en bas à gauche du panneau de commande.)

N'essayez pas de réparer la cuisinière vous-même. Dacor n'est pas responsable du coût de la correction des problèmes causés par une installation défectueuse.

Retrait et réinstallation de la cuisinière

Retrait de la cuisinière pour entretien

1. Fermez la vanne d'alimentation en gaz.
2. Coupez l'alimentation de la cuisinière au niveau du disjoncteur ou de la boîte à fusibles.
3. Retirez la cuisinière du mur.

Réinstallation de la cuisinière après l'entretien

1. Poussez la cuisinière en position, en engageant le support anti-basculement.
2. Mettez la cuisinière sous tension au niveau du disjoncteur ou de la boîte à fusibles.
3. Ouvrez la vanne d'alimentation en gaz.

Liste de contrôle de l'installation

AVERTISSEMENT

L'installateur doit remplir cette liste de contrôle en vue de garantir une installation complète et correcte. L'installation correcte est la responsabilité du propriétaire de la maison.

- La feuille de plastique a-t-elle été retirée de l'extérieur de la cuisinière?
- Tous les emballages ont-ils été retirés de la chambre du four?
- Tous les pieds de mise à niveau sont-ils en contact avec le sol? L'appareil est-il de niveau? (Page 26)
- La cuisinière a-t-elle été fixée à l'aide du support et du pied anti-basculement conformément aux instructions? (Page 19)
- La pression d'entrée de l'alimentation en gaz a-t-elle été mesurée pour s'assurer qu'elle ne dépasse pas les maximums indiqués dans ces instructions? (Page 17)
- La cuisinière est-elle raccordée à l'alimentation en gaz conformément aux instructions et aux codes en vigueur? L'alimentation en gaz a-t-elle été vérifiée à la recherche de fuites? Le couvercle du régulateur a-t-il été réinstallé? (Pages 24 - 25)
- La porte du four est-elle installée conformément aux instructions? (Pages 27 - 28)
- Les boutons des brûleurs ont-ils été installés correctement? (Page 28)
- Les brûleurs (Pages 29 - 30) et les grilles (Page 31) sont-ils installés conformément aux instructions?
- Avez-vous vérifié le bon fonctionnement de l'appareil?
- La garantie a-t-elle été activée en ligne ou la carte de garantie a-t-elle été remplie et envoyée par la poste?

NOTES

NOTES

dacor

Dacor • 14425 Clark Avenue, City of Industry, CA 91745 • Numéro de téléphone : 833-353-5483 (États-Unis) , 844-509-4659 (CANADA).
• Télécopie : (626) 403-3130 • www.dacor.com