



BOSCH

Register your
appliance and join
the Bosch
family of perks:
[bosch-home.com/us/
mybosch](https://bosch-home.com/us/mybosch)



Hood

HUI54452UC

[en-us] Installation Instructions	Hood	2
[fr-ca] Instructions d'installation	Hotte	17
[es-mx] Instrucciones de instalación	Campana	34

Table of contents

1 IMPORTANT SAFETY INSTRUCTIONS.....	3
1.1 Safety definitions.....	3
1.2 General safety instructions.....	3
1.3 Appliance handling safety	4
1.4 Safety codes and standards.....	4
1.5 Electrical safety.....	5
1.6 State of California Proposition 65 Warnings	5
2 Operating modes	6
2.1 Exhaust-air mode.....	6
2.2 Air recirculation mode	6
3 Before you begin.....	6
3.1 Parts included	6
3.2 Tools and parts needed	6
3.3 Safety clearances	6
4 Information on the installation situation	7
5 Fan operation	7
6 Ventilation line	7
6.1 Round ducts.....	7
6.2 Flat ducts	7
7 Electrical requirements	7
8 General information	8
9 Installation.....	8
9.1 Checking the units	8
9.2 Preparing the units.....	8
9.3 Installing the appliance.....	9
9.4 Checking the installation	14
9.5 Connecting the appliance.....	14
9.6 Optional Recirculating Kit.....	14
10 Removing the appliance for service or replacement.....	15
11 Customer Service	16
11.1 Model number (E-Nr.) and production number (FD)	16
11.2 Rating plate location.....	16



IMPORTANT SAFETY INSTRUCTIONS

READ AND SAVE THESE INSTRUCTIONS

Read all of the instructions carefully before using the appliance. In order to reduce the risk of fire, electric shocks and personal injuries when using the appliance, follow the basic safety precautions, including the following safety instructions.

1.1 Safety definitions

Here you can find explanations of the safety signal words used in this manual.

WARNING

This indicates that death or serious injuries may occur as a result of non-observance of this warning.

CAUTION

This indicates that minor or moderate injuries may occur as a result of non-observance of this warning.

NOTICE:

This indicates that damage to the appliance or property may occur as a result of non-compliance with this advisory.

Note: This alerts you to important information and/or tips.

1.2 General safety instructions

IMPORTANT: SAVE THESE INSTRUCTIONS FOR THE LOCAL ELECTRICAL INSPECTOR'S USE.

OWNER: PLEASE RETAIN THESE INSTRUCTIONS FOR FUTURE REFERENCE.

INSTALLER: LEAVE THESE INSTRUCTIONS WITH THE APPLIANCE AFTER INSTALLATION IS COMPLETE.

WARNING

If the information in this manual is not followed exactly, fire or shock may result causing property damage or personal injury.

Do not repair, replace or remove any part of the appliance unless specifically recommended in the manuals.

Improper installation, service or maintenance can cause injury or property damage.

- ▶ Refer to this manual for guidance.
- ▶ All other servicing should be done by an authorized service provider.

WARNING

TO REDUCE THE RISK OF FIRE, ELECTRIC SHOCK, OR INJURY TO PERSONS, OBSERVE THE FOLLOWING.

- ▶ Installation work and electrical wiring must be done by qualified person(s) in accordance with all applicable codes and standards, including fire-rated construction.
- ▶ Sufficient air is needed for proper combustion and exhausting of gases through the flue (chimney) of fuel burning equipment to prevent back drafting. Follow the heating equipment manufacturer's guideline and safety standards such as those published by the National Fire Protection Association (NFPA), and the American Society for Heating, Refrigeration and Air Conditioning Engineers (ASHRAE), and the local code authorities.
- ▶ When cutting or drilling into wall or ceiling, do not damage electrical wiring and other hidden utilities.
- ▶ Ducted fans used to exhaust contaminants must always be vented to the outdoors.
- ▶ Regulations concerning the discharge of air have to be fulfilled.

The applicable regulations of the energy supply companies and the regional construction regulations must be observed when installing the hood.

WARNING

Grease deposits in the grease filter can catch fire.

- ▶ Never work with a naked flame near the appliance (e.g. flambeing).
- ▶ Install the unit near a heat-producing appliance for solid fuels (e.g. wood or coal) only if there is a closed, non-detachable cover. There must be no flying sparks. Operating several gas burners at the same time gives rise to a great deal of heat. The ventilation appliance may become damaged or catch fire.
- ▶ The ventilation appliance must only be combined with gas burners that do not exceed the maximum total output of 61,000 BTU/hr (18 kW). If 41,000 BTU/hr (12 kW) is exceeded, the local regulations concerning room ventilation, room size, and combination with ventilation devices in exhaust and recirculating operation must be followed.



IMPORTANT SAFETY INSTRUCTIONS

READ AND SAVE THESE INSTRUCTIONS

WARNING

There shall be adequate ventilation of the room when the range hood is used at the same time as appliances burning gas or other fuels.

- ▶ Safe operation is possible provided that the under pressure in the room where the burner is installed does not exceed 4 Pa (0.04 mbar).
- ▶ This can be achieved if combustion air can flow through non-lockable openings, e.g. in doors, windows and via the air-intake/exhaust-air wall box or by other technical measures, such as reciprocal interlocking, etc.

Avoid carbon monoxide poisoning – Provide adequate air intake so combustion gases are not drawn back into the room. An air-intake/exhaust-air wall box by itself is no guarantee that the limiting value will not be exceeded.

- ▶ Note: When assessing the overall requirement, the combined ventilation system for the entire household must be taken into consideration. This rule does not apply to the use of cooking appliances, such as cooktops and ovens.

WARNING

Incorrect placement of screws or fasteners or mounting devices according to these instructions may result in electrical hazards.

CAUTION

For General Ventilating Use Only.

- ▶ Do Not Use To Exhaust Hazardous Or Explosive Materials And Vapors.

WARNING

Never modify or alter the construction of the appliance. The appliance should only be used if installed by a qualified technician in accordance with these installation instructions. The manufacturer is not responsible for any damage resulting from incorrect installation.

WARNING

Remove all tape and packaging before using the appliance.

- ▶ Destroy the packaging after unpacking the appliance.
- ▶ Dispose of packaging in an environmentally responsible manner.
- ▶ Never allow children to play with packaging material.

WARNING

The appliance may fall from the wall if it is not attached properly.

- ▶ All fastening components must be fixed firmly and securely in place.

NOTICE:

Risk of damage from condensation back flow.

- ▶ Install exhaust vent at a slight downward slope away from the appliance (1° slope).

WARNING

TO REDUCE THE RISK OF FIRE, ELECTRIC SHOCK, OR INJURY TO PERSONS, OBSERVE THE FOLLOWING:

- ▶ Use this unit only in the manner intended by the manufacturer. If you have questions, contact the manufacturer.
→ "Customer Service", Page 16
- ▶ Before servicing or cleaning unit, switch power off at service panel and lock the service disconnecting means to prevent power from being switched on accidentally. When the service disconnecting means cannot be locked, securely fasten a prominent warning device, such as a tag, to the service panel.

WARNING

TO REDUCE THE RISK OF FIRE, USE ONLY METAL DUCTWORK.

CAUTION

To reduce risk of fire and to properly exhaust air, be sure to duct air outside.

- ▶ Do not vent exhaust air into spaces within walls or ceilings or into attics, crawl spaces, or garages.

1.3 Appliance handling safety

WARNING



Unit is heavy and requires at least two people or proper equipment to move and install.

WARNING



Hidden surfaces may have sharp edges.

- ▶ Use caution when reaching behind or under appliance.

1.4 Safety codes and standards

This appliance complies with the latest version of one or more of the following standards:

- UL 507 - Electric Fans



IMPORTANT SAFETY INSTRUCTIONS

READ AND SAVE THESE INSTRUCTIONS

- CSA C22.2 No. 60335-2-31 - Household and similar electrical appliances - Safety - Part 2-31: Particular requirements for range hoods and other cooking fume extractors

It is the responsibility of the owner and the installer to determine if additional requirements and/or standards apply to specific installations.

1.5 Electrical safety

- **Installer** - show the owner the location of the circuit breaker or fuse. Mark it for easy reference.
- If required by the National Electrical Code (or Canadian Electrical Code), this appliance must be installed on a separate branch circuit.
- Local codes vary. The installer is responsible for ensuring that the installation, connections, and grounding comply with all applicable codes. The manufacturer is not responsible for any issues associated with the improper installation of this product.
- Be sure your appliance is properly installed and grounded by a qualified technician. Installation, electrical connections and grounding must comply with all applicable codes.
- Refer to the rating plate for more information.
→ "Rating plate location", Page 16

WARNING

Before installing, turn power OFF at the service panel.

- ▶ Lock service panel to prevent power from being turned ON accidentally.

For appliances equipped with a cord and plug, do not cut or remove the ground prong.

- ▶ It must be plugged into a matching grounding type receptacle to avoid electrical shock.
- ▶ If there is any doubt as to whether the wall receptacle is properly grounded, the customer should have it checked by a qualified electrician.

GROUNDING INSTRUCTIONS

- ▶ This appliance must be grounded. In the event of an electrical short circuit, grounding reduces the risk of electric shock by providing an escape wire for the electric current.
- ▶ This appliance is equipped with a cord having a grounding wire with a grounding plug. The plug must be plugged into an outlet that is properly installed and grounded.

WARNING

IMPROPER GROUNDING CAN RESULT IN A RISK OF ELECTRIC SHOCK

- ▶ Consult a qualified electrician if the grounding instructions are not completely understood, or if doubt exists as to whether the appliance is properly grounded.
- ▶ DO NOT USE AN EXTENSION CORD.
- ▶ If the power supply cord is too short, have a qualified electrician install an outlet near the appliance.

Before you plug in an electrical cord or turn on power supply, make sure all controls are in the OFF position.

WARNING

To Reduce The Risk Of Fire Or Electric Shock, Do Not Use This Fan With Any Solid-State Speed Control Device.

WARNING

Parts inside the appliance can have sharp edges. The power cord can be damaged.

- ▶ Do not bend or pinch the power cord during installation.

1.6 State of California Proposition 65 Warnings

This product may contain a chemical known to the State of California, which can cause cancer or reproductive harm. Therefore, the packaging of your product may bear the following label as required by California:

STATE OF CALIFORNIA PROPOSITION 65 WARNING:

 **WARNING**

Cancer and Reproductive Harm - www.P65Warnings.ca.gov

2 Operating modes

You can use your appliance in exhaust air mode or circulating air mode.

2.1 Exhaust-air mode

The air that is drawn in is cleaned by the grease filters and conducted to the outside via a duct system.



The air must not be discharged into a flue that is used for exhaust fumes from appliances burning gas or other fuels (not applicable for recirculation appliances).

- If the exhaust air is to be conducted into a non-functioning smoke or exhaust gas flue, you must obtain the consent of the responsible area heating inspector.
- If the exhaust air is conducted through the outer wall, a telescopic wall box should be used.

2.2 Air recirculation mode

The air which is drawn in is cleaned by the grease filters and an odor filter, and conveyed back into the room.



To bind odors in air recirculation mode, you must install an odor filter. The different options for operating the appliance in air recirculation mode can be found in our catalog. Alternatively, ask your dealer. The required accessories are available from specialist retailers, from Customer Service, or from the online shop.

When used in recirculation mode, To Reduce the Risk of Fire and Shock, use only Conversion Kit Model HVREC5UC.

3 Before you begin

Read these instructions before you begin to install your appliance.

This Installation Instructions covers several models. All graphics are representative. Your appliance may vary in appearance and features.

3.1 Parts included

After unpacking all the parts, check for any damage in transit and for completeness of delivery.

Depending on the appliance specifications

3.2 Tools and parts needed

Prepare these tools and accessories before you start to install your appliance.

- Measuring tape
- Pencil
- Cross head screwdriver nr. 2
- Drill with 3/16" (4.76 mm) drill bit

- Level
- Aluminum tape (DO NOT use insulating or cloth duct tape)
- Exhaust air duct (configuration depends on the installation situation)
- Additional sheet metal screws (if necessary for installation of the exhaust air duct)
- Jigsaw

3.3 Safety clearances

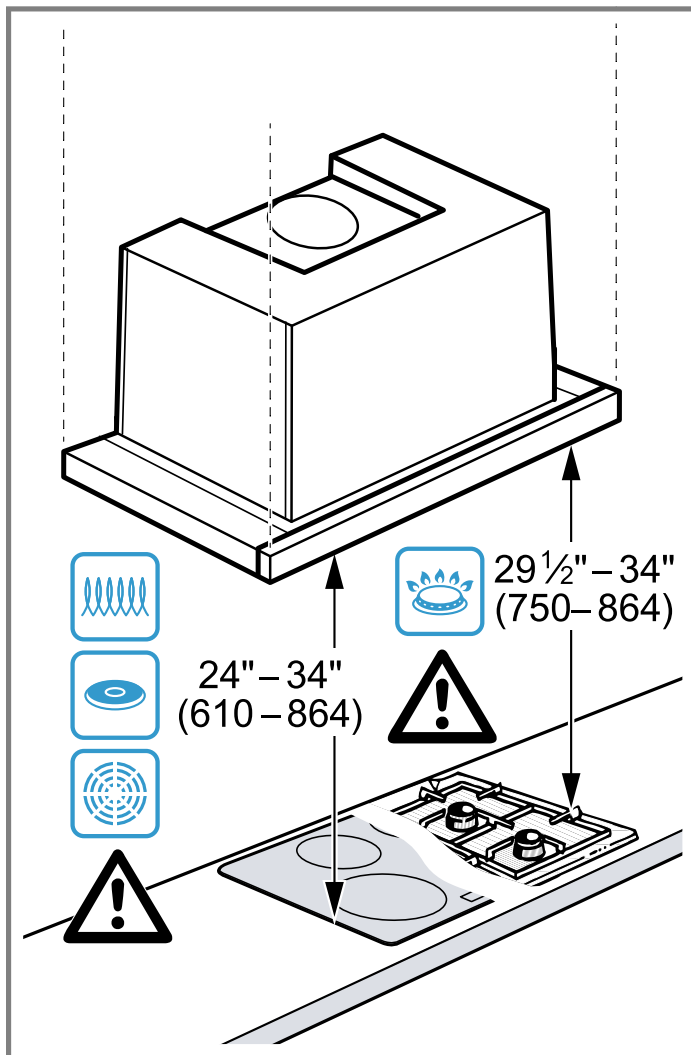
Comply with the safety clearances for the appliance.

WARNING

Grease deposits in the grease filter may catch fire. The specified safety distances must be observed in order to prevent an accumulation of heat.

- ▶ Observe the specifications for your cooking appliance. If gas and electric cooktops are operated together, the largest specified distance applies. Only one side of the appliance may be installed directly next to a high-sided unit or a wall. The distance between the appliance and wall or high-sided unit must be at least 2" (50 mm).

The minimum distance between the supporting surface for the cooking equipment on the cooktop and the lowest part of the range hood must be not less than 24" (610 mm) from electric cookers and 29½" (750 mm) from gas or mixed cookers.



4 Information on the installation situation

- Install this appliance in a kitchen cabinet.
- To install additional special accessory parts, observe the enclosed installation instructions.
- The width of the extractor hood must correspond at least to the width of the cooking zone.
- To optimally detect the cooking vapors, install the appliance in the middle of the cooktop.

5 Fan operation

⚠ WARNING

Risk of poisoning from flue gases that are drawn back in.

- ▶ The exhaust air must not be discharged into a functioning smoke or exhaust gas flue or into a shaft that is used to ventilate installation rooms that contain

heating appliances. If the exhaust air is to be discharge into a non-functioning smoke or exhaust gas flue, you must obtain the consent of the responsible area heating inspector.

If the ventilation passes through an external wall, use a telescopic wall sleeve.

6 Ventilation line

The manufacturer is not responsible for performance issues attributable to the duct section.

- The ventilation opening and the exhaust air ducts must be made according to the individual situation at the installation location.
- The appliance achieves its optimum performance by means of a short, straight exhaust air duct and as large a duct diameter as possible.
- As a result of long exhaust air ducts, many duct bends or too small diameters, the optimum extraction performance is not achieved and fan noise is increased.
- Smooth the connection area of the ducts before installation.
- Seal the connection points of the ducts appropriately.
- To prevent condensate from flowing back, fit the exhaust duct with a 1° gradient from the appliance.

6.1 Round ducts

Use round ducts with an inner diameter of 6" (150 mm) (recommended) or at least 4¾" (120 mm).

6.2 Flat ducts

The inner cross-section must correspond to the diameter of the round ducts.

- Diameter of 6" (150 mm) corresponds to approx. 27½ sq in (177 cm²).
- Diameter of 4¾" (120 mm) corresponds to approx. 26¾ sq in (113 cm²).
- Use sealing strip for deviating duct diameters.
- Flat ducts should have no sharp deflections.

7 Electrical requirements

Read these instructions to safely connect your appliance to the electrical supply.

⚠ WARNING

It must always be possible to disconnect the appliance from the electricity supply. The appliance must only be connected to a grounded outlet that has been correctly installed.

- ▶ The plug for the power cord must be easily accessible after the appliance is installed.
- ▶ If this is not possible, an all-pole isolating switch must be integrated into the permanent electrical installation according to the conditions of overvoltage category III and according to the installation regulations.

- ▶ The permanent electrical installation must only be wired by a professional electrician. We recommend installing a residual current device (RCD) in the appliance's electricity supply circuit.

Sharp-edged components inside the appliance may damage the connecting cable.

- ▶ Do not kink or trap the connecting cable.

The branch-circuit breakers ampacity, the wire sizes and the connections must conform to the requirements of the National Electrical Code or Canadian Electrical Code and all local codes and ordinances.

- You can find the rating plate with the electrical specifications on the appliance rating plate. Remove the metal grease filter to access it.
- Check your domestic installation before installing the appliance. Pay attention to suitable fusing of your domestic installation. The voltage and frequency of the appliance must agree with the electrical installation.
- The appliance complies with protective class I and may only be operated with a PE conductor connection.
- The installation must contain a disconnecter with a contact opening of at least 1/8" (3 mm) that isolates all poles from the mains. It must still be accessible after installation.
- Only an electrical specialist may lay or replace the connecting lead, paying attention to the applicable regulations.
- If the mains connecting lead of this appliance is damaged, it must be replaced with a special connecting lead, which is obtainable from the manufacturer or the manufacturer's after-sales service.

8 General information

Follow these general instructions during the installation.

- For the installation, observe the currently valid building regulations and the regulations of the local electricity and gas suppliers.
- When discharging the exhaust air, the official and legal regulations, such as the regional building code., must be observed.
- In order to freely access the appliance for servicing, select an easy-to-reach installation site.
- The surfaces of the appliance are sensitive. Avoid damaging them during installation.

9 Installation

9.1 Checking the units

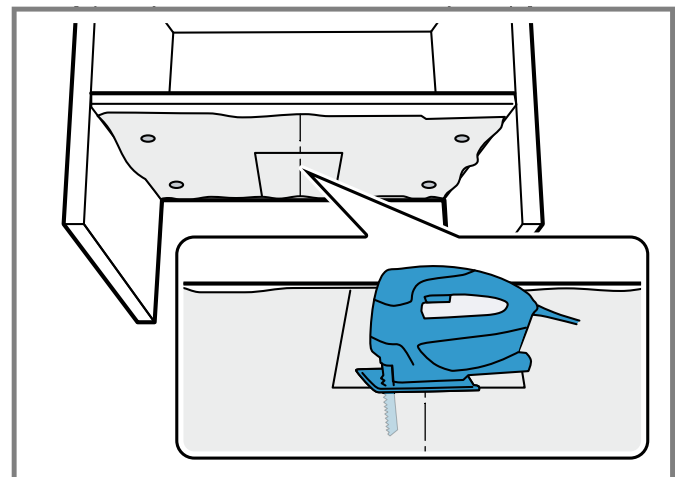
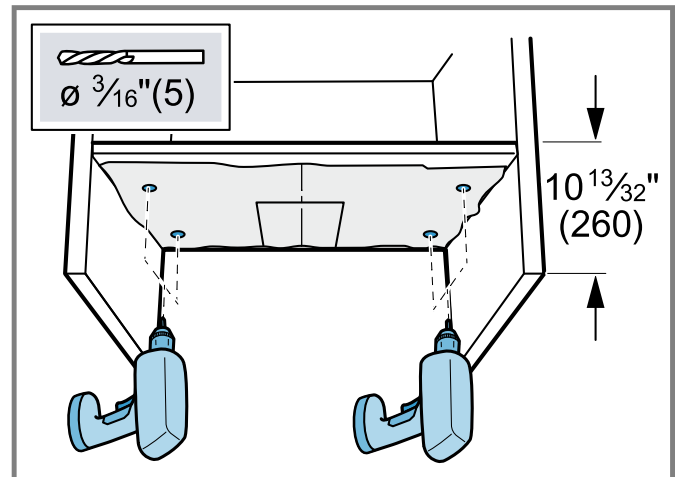
1. The unit must be level and capable of supporting the weight of your appliance.
The max. weight of the appliance is 22.5 lbs (10.2 kg).
2. The unit into which the appliance is installed must be heat-resistant up to 195°F (90 °C).
3. Ensure that the unit is still stable after the cut-outs have been made.

9.2 Preparing the units

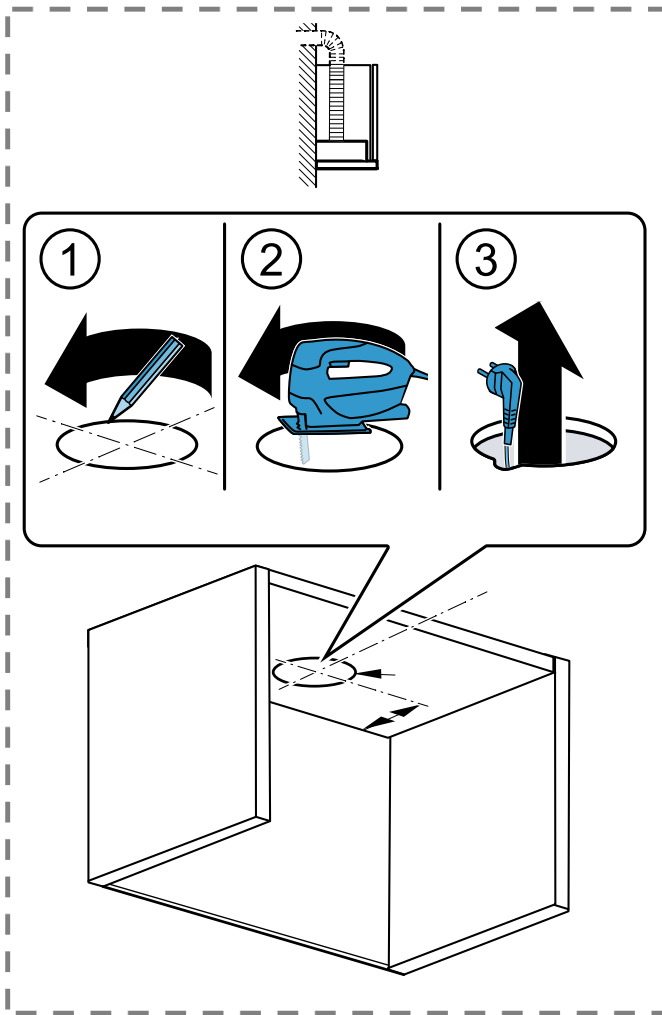
Requirement: The unit is suitable for the installation.

→ "Checking the units", Page 8

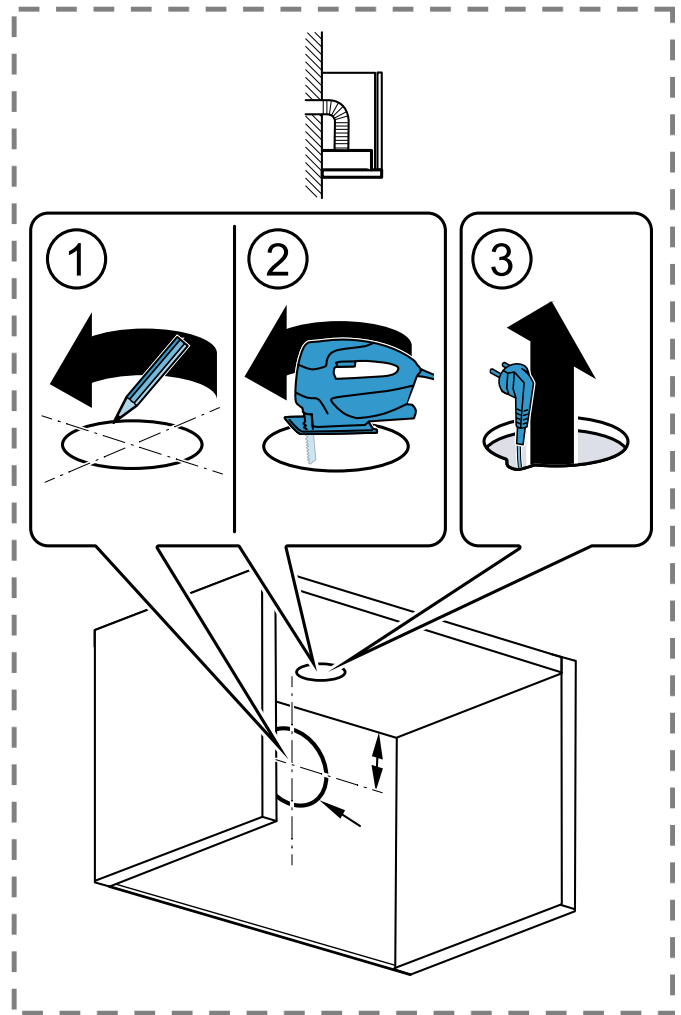
1. Cover the cooktop or rangetop to prevent damage.
2. Ensure that the cabinet is still stable after the cut-outs have been made.
3. Attach the template to the lower side of the partition floor and drill holes.



4. Create the cut-out for the exhaust air pipe.



Exhaust air opening above the fitted unit.



Exhaust air opening behind the fitted unit.

9.3 Installing the appliance

You can install the appliance into a fitted cabinet or using wall-unit holders.

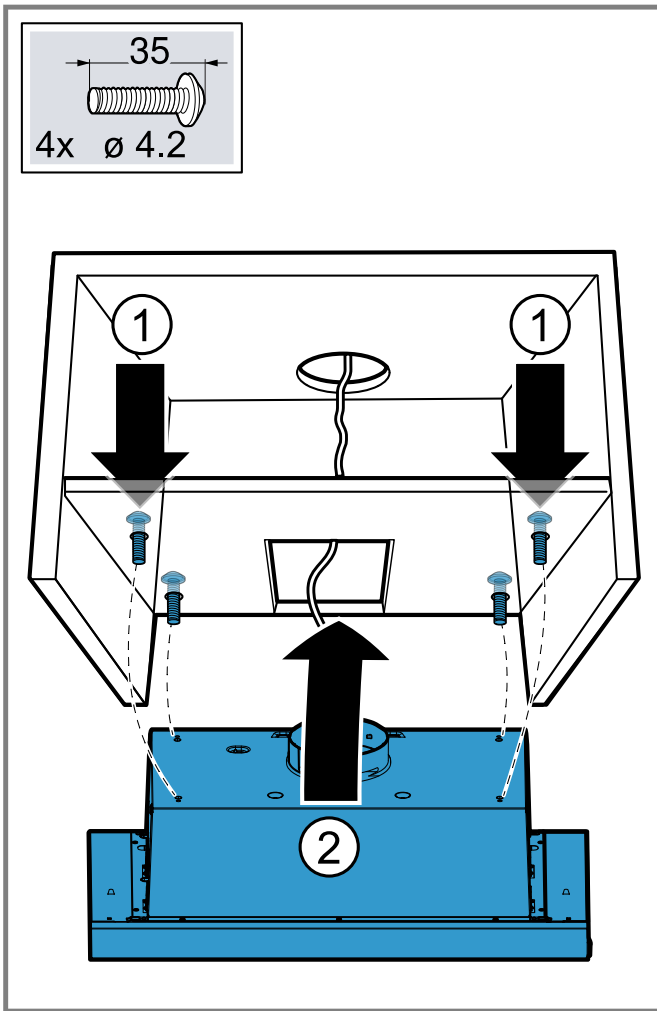
Installing the appliance into the fitted unit

⚠ WARNING

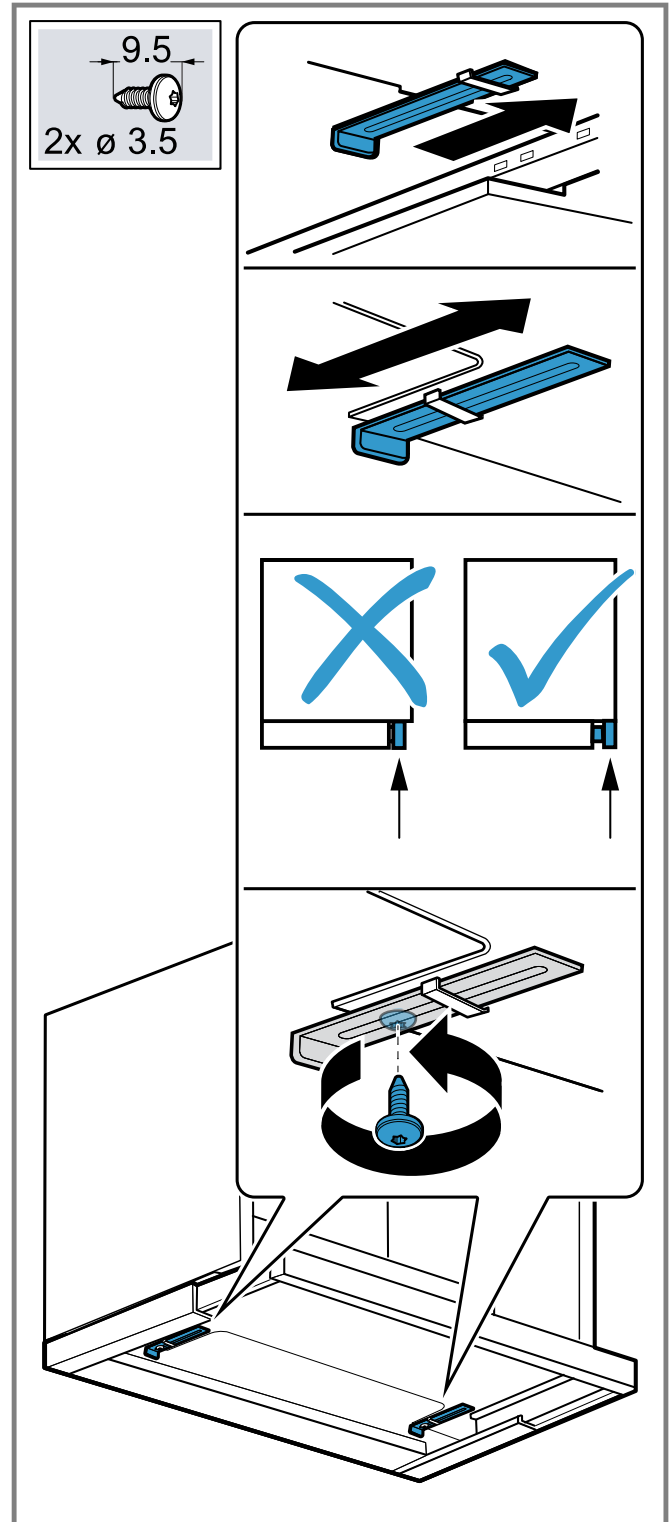
Parts inside the appliance can have sharp edges. The power cord can be damaged.

- ▶ Do not bend or pinch the power cord during installation.

1. Screw the appliance tightly to the fitted unit.



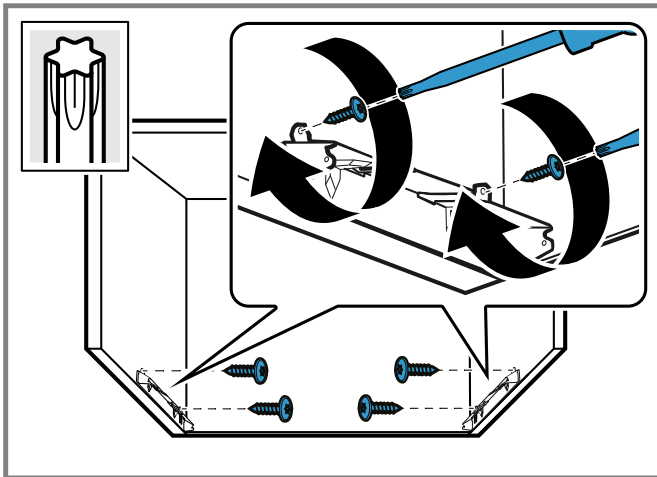
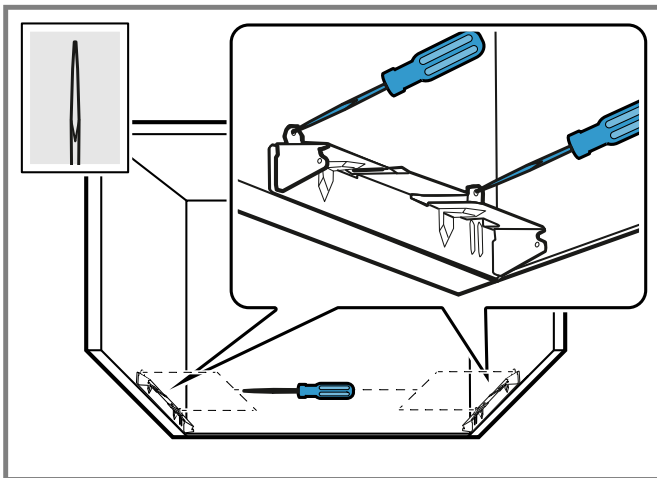
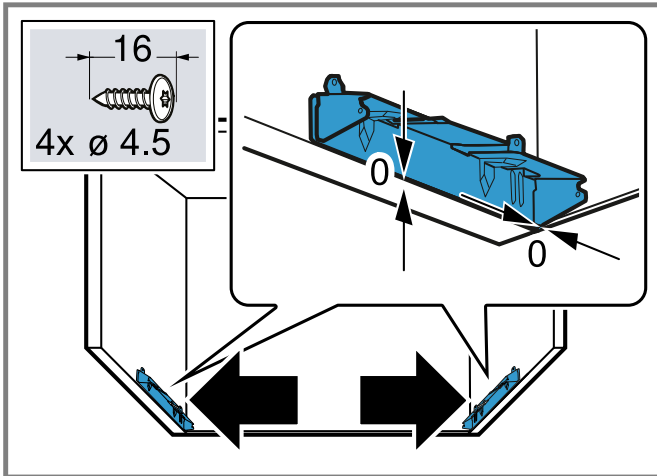
2. Pull out the filter pull-out until it is flush with the front edge of the fitted unit.



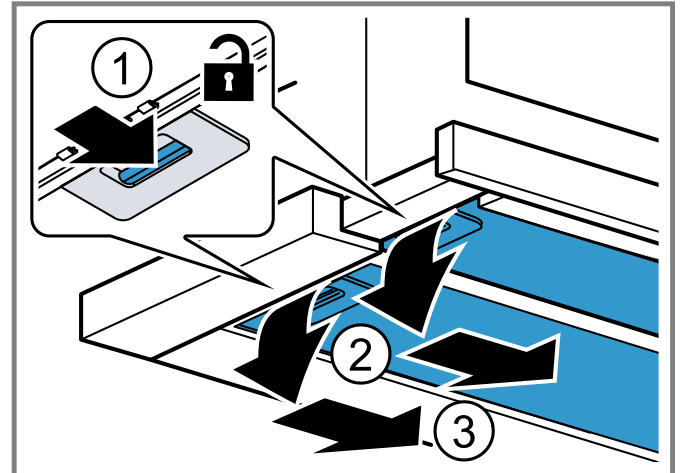
3. Take the grease filter out. Push the stop forward until it lies against the filter pull-out. Screw the stop tight in this position.
4. Install the grease filters.
5. Establish the duct connection.
6. Establish the electrical connection.

Installing the appliance with wall-unit holders

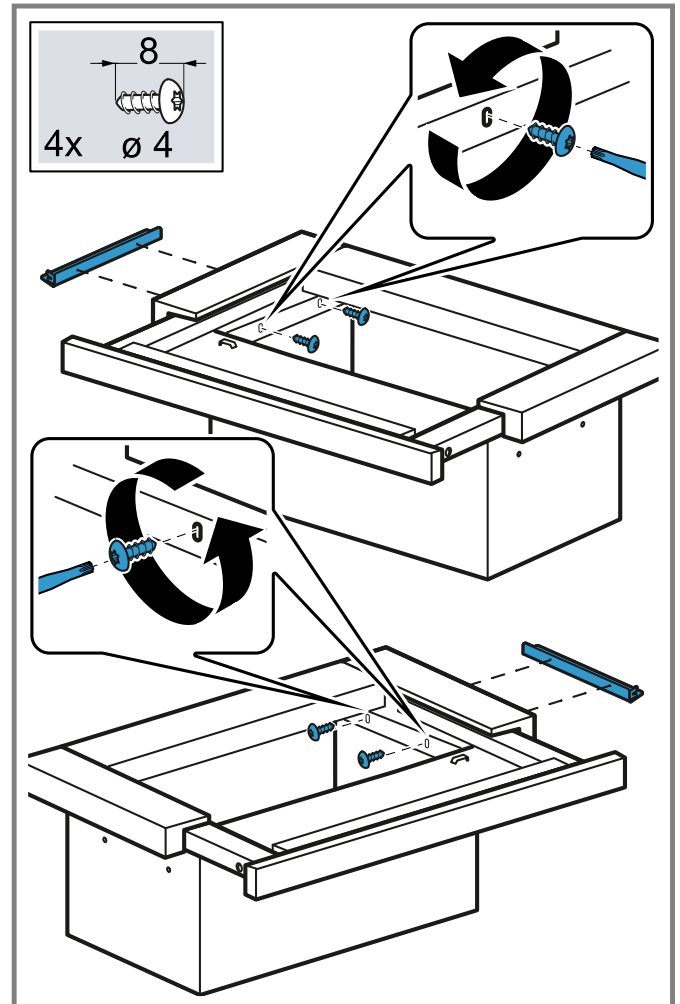
1. Screw the cabinet brackets tightly into the cabinet.



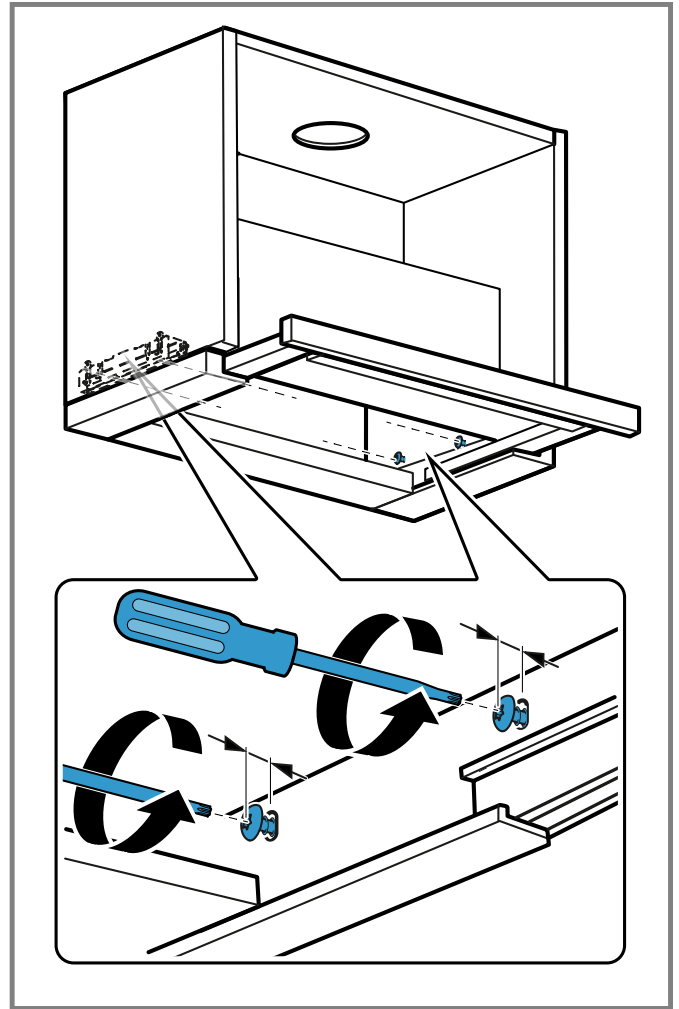
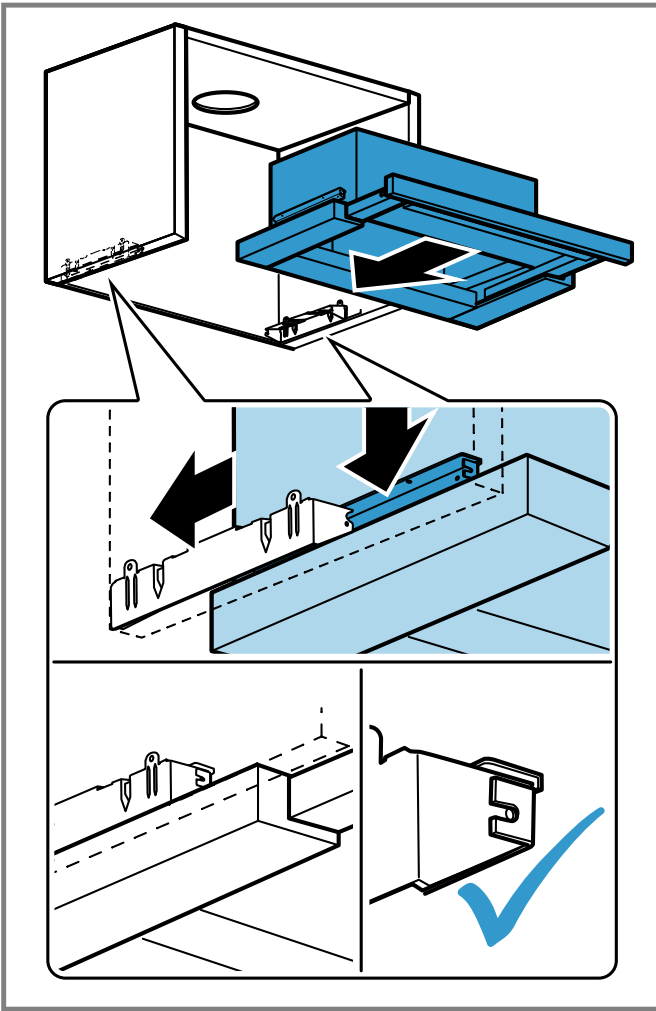
2. Open the lock and fold down the grease filter. While doing this, place your other hand under the grease filter. Take the grease filter out of the holder.



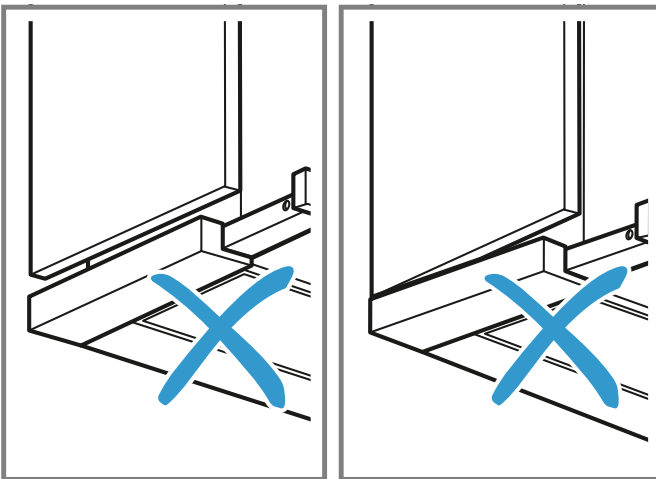
3. Screw the appliance brackets tightly onto the appliance.

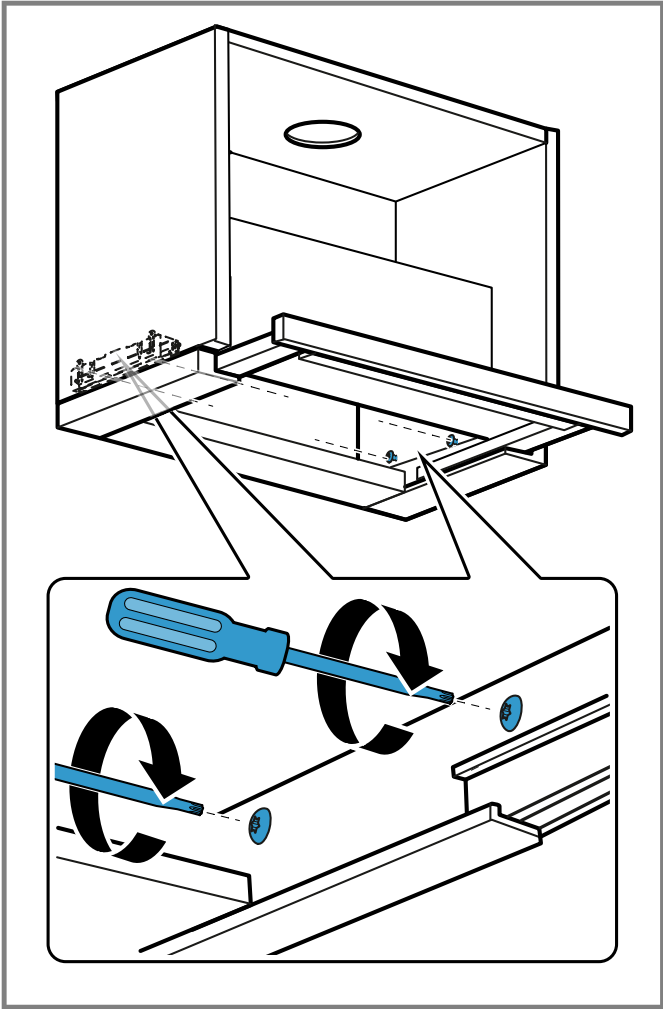
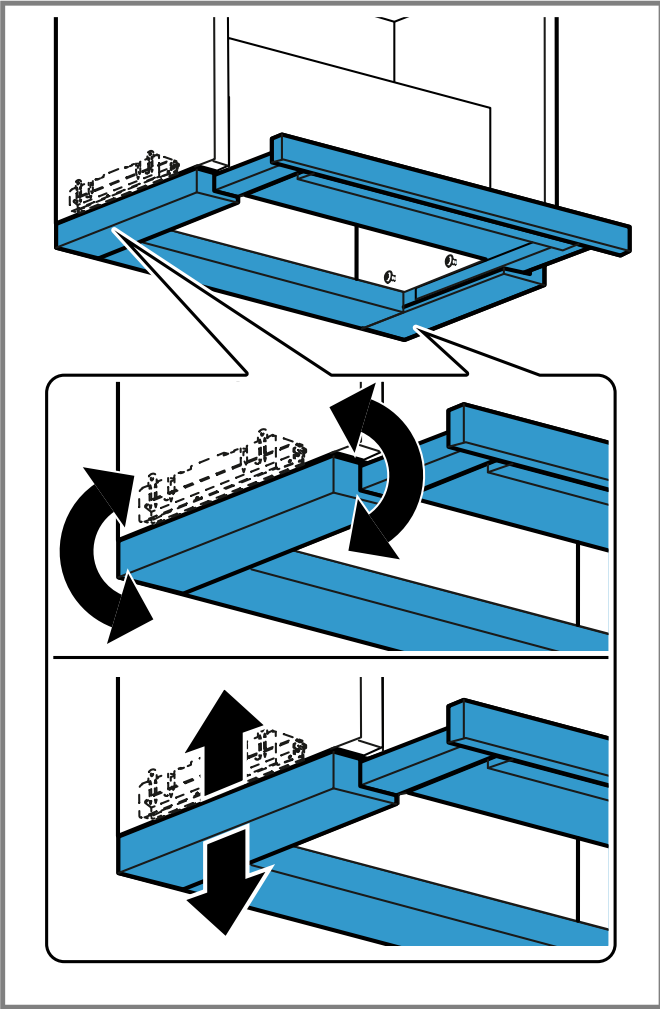


4. Insert the appliance into the cabinet.

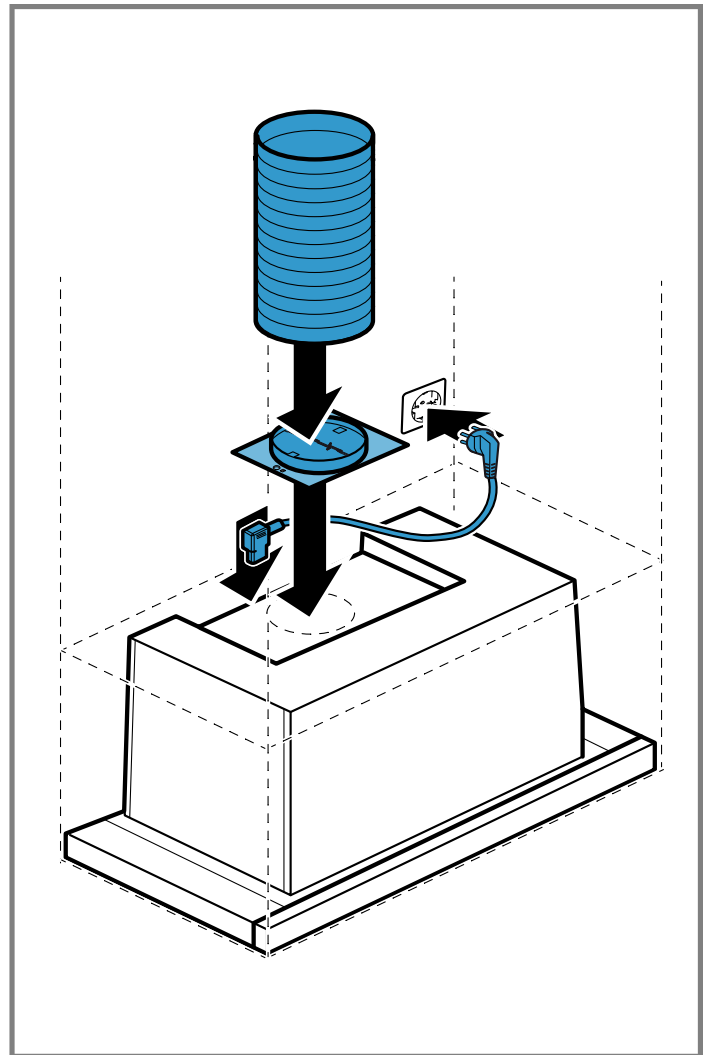
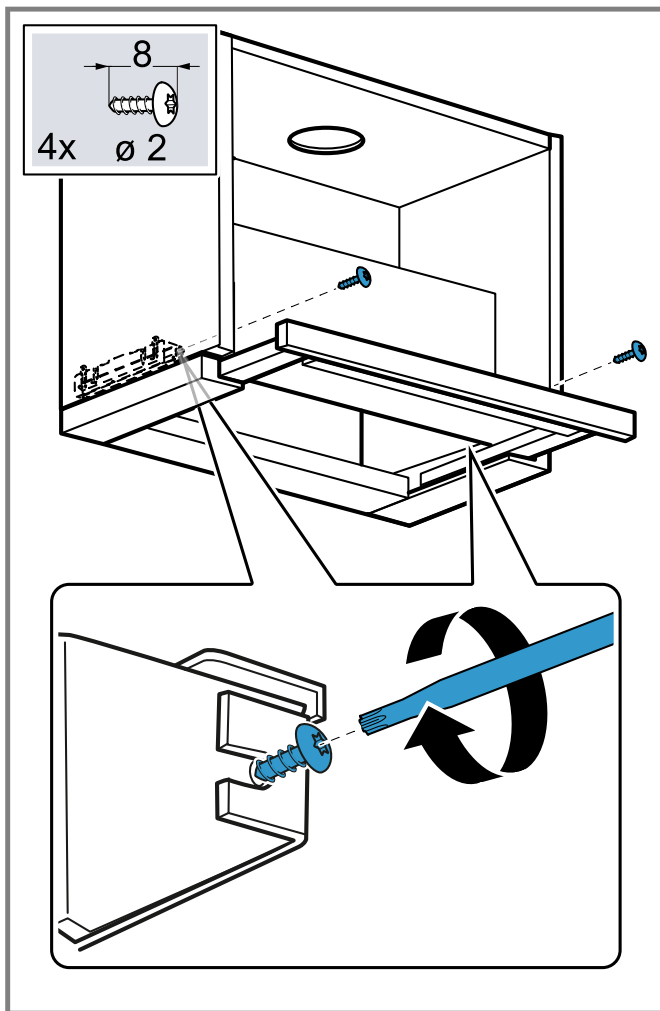


5. Align the appliance.





6. Screw the appliance into place.



9.4 Checking the installation

1. Check if power cord is free of obstructions.
2. Check if the filters are installed correctly and do not rattle.
3. Operate the hood at various fan speeds.
 - ✓ Air should clearly flow into the hood if the ductwork is clear and functioning correctly.
4. Check if the lights operate.
5. For any issues, refer to the Troubleshooting section.

9.5 Connecting the appliance

- With ducted operation, a back-pressure flap should be installed. If no back-pressure flap is included with the appliance, it can be ordered from a specialist retailer.
- If the exhaust air is conveyed through the outer wall, a telescopic wall box should be used.

Connecting the ductwork

Requirement: If an aluminum duct is used, smooth the connection area before connecting the ducts.

1. Exhaust air duct with 6" (150 mm) diameter (recommended size):
 - Attach the exhaust air duct directly to the air duct connector and seal.
2. Exhaust air duct with 4¾" (120 mm) diameter:
 - Attach the reducing connector directly to the air duct connector.
 - Attach the exhaust air duct to the reducing connector.
 - Seal both joints appropriately.

Connecting the power supply

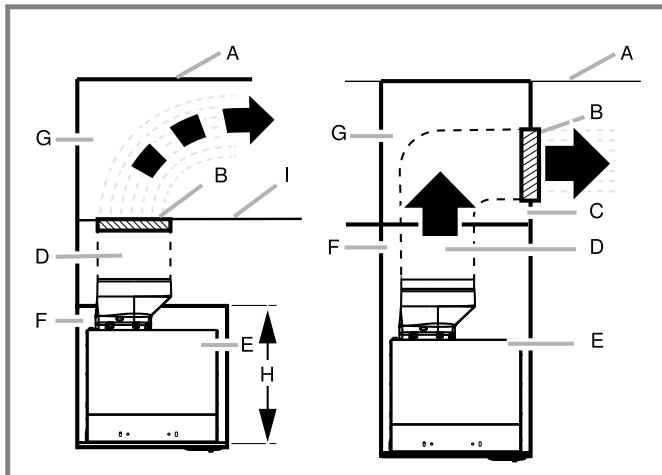
- ▶ Plug the mains plug into the grounded socket.

9.6 Optional Recirculating Kit

When used in recirculation mode, to reduce the risk of Fire and Shock, use only conversion kit Model HVREC5UC. If it is not possible to vent cooking fumes and vapors to the outside, the hood can be used in the non-vented (recirculating) mode, using the recirculating kit. Fumes and vapors are recycled through the round grid.

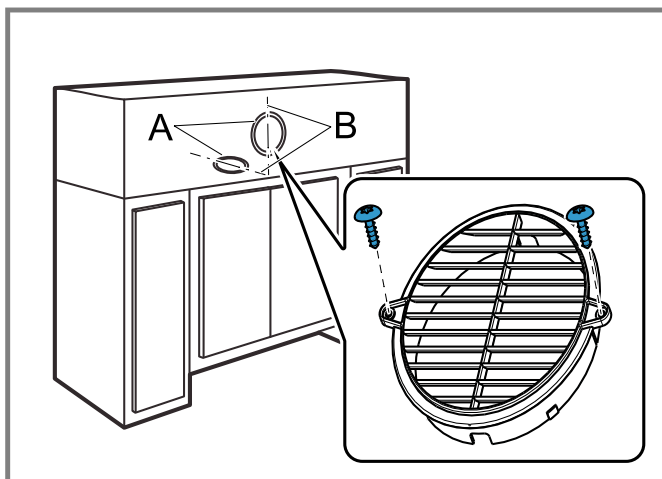
Installation through the soffit / cabinet

1. Depending on your recirculating installation, take into consideration the next diagram:



A	Ceiling
B	Recirculating grid
C	Soffit
D	6" (15.2 cm) vent
E	Range hood
F	Cabinet
G	Wall
H	14" (35.5 cm) min. cabinet height
I	Top of the cabinetry

2. Measure and mark the centerline of the cabinet to the soffit above.
3. Measure from the bottom of the cabinet to the centerline of the where the vent will come through the soffit. Mark the location and use a saber saw or keyhole saw to cut a 5 3/4" (14.6 cm) hole for the recirculating grid.
4. Install the recirculating grid with the 2 provided screws.




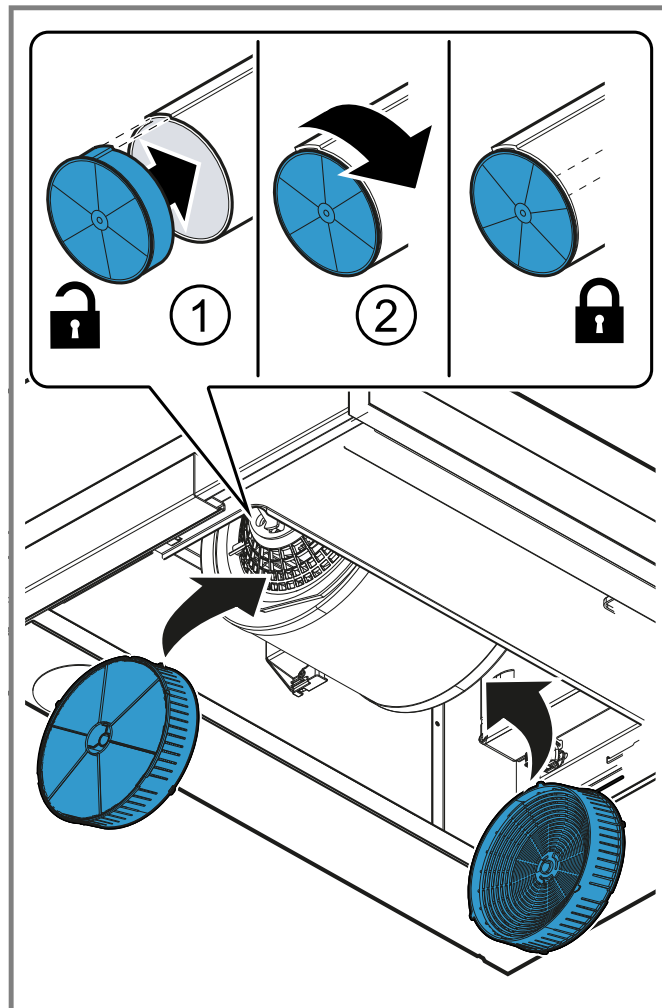
Optional odor filter replacement


Note

- The odor filter cannot be cleaned. It must be replaced every 4-6 months, depending on hood usage.

- Do not rinse, or put odor filter in a dishwasher.

1. Remove old odor filters.
 2. Place the new filter in the correct position.
- ✓ The line on the filter is aligned with the  symbol on the appliance.



3. Turn the filter downward until it clicks in place.
- ✓ The line on the filter is aligned with the  symbol on the appliance.

10 Removing the appliance for service or replacement

1. Cover the cooktop to prevent damage.
2. Disconnect the electrical connection.
3. Remove the pipe connection.
4. Remove the grease filters.
5. Loosen the exhaust air lines.
6. Loosen the screw connections with the unit.
7. Remove the appliance.

11 Customer Service

With any warranty repair, we will make sure your appliance is repaired by an authorized service provider using genuine replacement parts. We use only genuine replacement parts for all repairs.

Detailed information on the warranty period and terms of warranty can be found in the Statement of Limited Product Warranty, from your retailer, or on our website.

If you contact Customer Service, you will need the model number (E-Nr.) and the production number (FD) of your appliance.

The LED light sources are available as a spare part and should only be replaced by an authorized service provider.

USA:

1-800-944-2904

www.bosch-home.com/us/owner-support/get-support

www.bosch-home.com/us/shop

CA:

1-800-944-2904

www.bosch-home.ca/en/service/get-support

www.bosch-home.ca/en/service/cleaners-and-accessories

11.1 Model number (E-Nr.) and production number (FD)

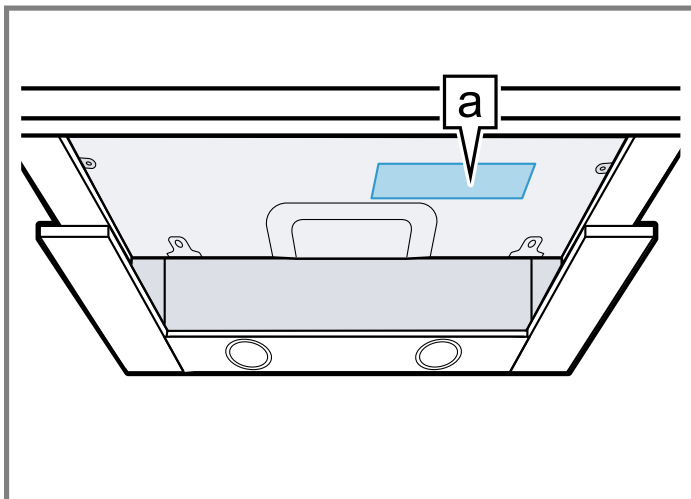
You can find the model number (E-Nr.) and the production number (FD) on the appliance's rating plate.

Making a note of your appliance's details and the Customer Service telephone number will enable you to find them again quickly.

11.2 Rating plate location

You can find the rating plate of your appliance:

- Inside the appliance (remove grease filters for access).



a Rating plate

Table des matières

1 IMPORTANTES CONSIGNES DE SÉCURITÉ	18
1.1 Définitions des termes de sécurité	18
1.2 Consignes générales de sécurité	18
1.3 Manipulation sécuritaire des appareils	20
1.4 Codes et normes de sécurité	20
1.5 Sécurité électrique	20
1.6 Mises en garde conformément à la proposition 65 de l'État de Californie	21
2 Modes de fonctionnement	22
2.1 Mode d'extraction d'air	22
2.2 Mode de recirculation de l'air.....	22
3 Avant de commencer.....	22
3.1 Pièces incluses	22
3.2 Outils et pièces nécessaires.....	22
3.3 Dégagement de sécurité	22
4 Informations sur la situation d'installation	23
5 Fonctionnement du ventilateur.....	23
6 Conduit d'évacuation.....	23
6.1 Conduits ronds.....	23
6.2 Conduits plats	23
7 Exigences électriques	24
8 Informations générales	24
9 Installation.....	24
9.1 Vérification des unités	24
9.2 Préparation des unités	24
9.3 Installation de l'appareil.....	25
9.4 Inspecter l'installation.....	30
9.5 Raccordement de l'appareil.....	30
9.6 Kit de recirculation en option	31
10 Dépose de l'appareil pour réparation ou remplacement	32
11 Service à la clientèle.....	32
11.1 Numéro de modèle (E-Nr.) et numéro de fabrication (FD)	32
11.2 Emplacement de la plaque signalétique.....	32



IMPORTANTES CONSIGNES DE SÉCURITÉ

LIRE ET CONSERVER CES INSTRUCTIONS

Lisez attentivement toutes les instructions avant d'utiliser l'appareil. Afin de réduire les risques d'incendie, d'électrocution et de blessures corporelles lorsque vous utilisez l'appareil, suivez les précautions de base, et notamment les consignes de sécurité suivantes.

1.1 Définitions des termes de sécurité

Vous trouverez ici des explications sur les mots de signalisation de sécurité utilisés dans ce manuel.

AVERTISSEMENT

Signale un risque de mort ou de blessure grave si l'avertissement n'est pas respecté.

MISE EN GARDE

Signale un risque de blessures mineures ou modérées si l'avertissement n'est pas respecté.

AVIS :

Ceci indique que la non-conformité à cet avis de sécurité peut entraîner des dégâts matériels ou endommager l'appareil.

Remarque : Ceci vous signale des informations et/ou indications importantes.

1.2 Consignes générales de sécurité

IMPORTANT : CONSERVEZ CES INSTRUCTIONS POUR L'UTILISATION DE L'INSPECTEUR ÉLECTRIQUE LOCAL.

PROPRIÉTAIRE : VEUILLEZ CONSERVER CES INSTRUCTIONS POUR RÉFÉRENCE FUTURE.

INSTALLATEUR : LAISSEZ CES INSTRUCTIONS AVEC L'APPAREIL UNE FOIS L'INSTALLATION COMPLÈTE.

AVERTISSEMENT

Si les consignes du présent manuel ne sont pas suivies à la lettre, il y a un risque d'incendie ou d'électrocution pouvant entraîner des dommages matériels ou des blessures.

Ne pas réparer, remplacer ni retirer toute pièce de l'électroménager à moins que cela ne soit spécifiquement recommandé par les manuels. L'installation, les réparations ou l'entretien inadéquats pourraient causer des blessures ou des dégâts matériels.

- ▶ Consulter ce manuel pour les directives d'utilisation.
- ▶ Toutes les autres réparations doivent être effectuées par un prestataire de services agréé.

AVERTISSEMENT

POUR RÉDUIRE LE RISQUE D'INCENDIE, D'ÉLECTROCUTION OU DE BLESSURE, RESPECTEZ LES INSTRUCTIONS SUIVANTES.

- ▶ L'installation et le câblage électrique doivent être exécutés par du personnel qualifié en conformité aux codes et aux normes en vigueur, y compris ceux relatifs à la construction à l'épreuve du feu.
- ▶ Un apport d'air suffisant est nécessaire pour la bonne combustion et l'évacuation des gaz par le carneau (cheminée) émanant des appareils de combustion afin d'éviter un refoulement d'air. Respectez les lignes directrices du fabricant des appareils de chauffage et les normes de sécurité comme celles établies par la National Fire Protection Association (NFPA), la American Society for Heating, Refrigeration and Air Conditioning Engineers (ASHRAE) et les codes des autorités locales.
- ▶ Lorsque vous coupez ou percez le mur ou le plafond, n'abîmez pas le câblage électrique et les autres installations cachées.
- ▶ Les ventilateurs raccordés à une conduite utilisée pour évacuer des contaminants doit toujours évacuer l'air vers l'extérieur.
- ▶ Les réglementations concernant les rejets d'air doivent être respectées.

Lors de l'installation de la hotte, les réglementations applicables des entreprises de distribution d'énergie et les réglementations régionales de construction doivent être respectées.

AVERTISSEMENT

Les dépôts de graisse dans le filtre à graisse peuvent s'enflammer.

- ▶ Ne jamais travailler avec une flamme nue près de l'appareil électroménager (par ex., flambée des aliments).
- ▶ Installer la hotte près d'un appareil de chauffage de combustibles solides (par ex., bois ou charbon) uniquement en présence d'un couvercle de fermé, fixe. Il ne doit y avoir aucune étincelle.

Le fonctionnement de plusieurs brûleurs à gaz en même temps génère beaucoup de chaleur. L'appareil de ventilation peut être endommagé ou prendre feu.

- ▶ L'appareil de ventilation ne doit être combiné qu'avec des brûleurs à gaz ne dépassant pas la puissance totale maximale de 61 000 BTU/h (18 kW). Si 41 000 BTU/h (12 kW) sont dépassés, les réglementations



IMPORTANTES CONSIGNES DE SÉCURITÉ

LIRE ET CONSERVER CES INSTRUCTIONS

locales concernant la ventilation de la pièce, la taille de la pièce et la combinaison avec des dispositifs de ventilation en mode d'extraction et de recirculation doivent être respectées.

AVERTISSEMENT

La pièce doit être suffisamment ventilée lorsque la hotte est utilisée en même temps que des appareils fonctionnant au gaz ou à d'autres combustibles.

- ▶ Un fonctionnement sécuritaire est possible quand la pression dans la pièce où est installé le brûleur ne dépasse pas 4 Pa (0,04 mbar).
- ▶ Pour ce faire, le débit d'air comburant doit passer par des ouvertures non verrouillables, comme les portes, les fenêtres, et par la boîte murale de débit et d'évacuation d'air ou par d'autres moyens techniques, comme un système à enclenchement réciproque, etc.

Éviter l'intoxication au monoxyde de carbone - Prévoir une admission d'air adéquate pour empêcher le retour des gaz de combustion dans la pièce. Une boîte murale de débit et d'évacuation d'air seule n'assure pas le respect des valeurs limites.

- ▶ Remarque : Au moment de revoir les exigences dans l'ensemble, il faut tenir compte du système d'apport d'air combiné pour toute la maison. Cette règle ne s'applique pas à l'utilisation d'appareils électroménagers de cuisson comme les tables de cuisson et les fours.

AVERTISSEMENT

Un placement incorrect des vis, des attaches ou des dispositifs de montage conformément à ces instructions peut entraîner des risques électriques.

MISE EN GARDE

Uniquement aux fins de ventilation générale.

- ▶ Ne pas utiliser pour évacuer des matières et des gaz dangereux ou explosifs.

AVERTISSEMENT

Ne jamais modifier ni altérer la structure de l'appareil électroménager.

Utilisez uniquement l'appareil électroménager s'il a été installé par un technicien qualifié conformément aux présentes instructions d'installation. Le fabricant ne peut pas être tenu responsable de tous dommages causés par une installation inadéquate.

AVERTISSEMENT

Retirer tout le ruban adhésif et l'emballage avant d'utiliser l'électroménager.

- ▶ Jetez l'emballage après avoir déballé l'électroménager.
- ▶ Éliminez l'emballage d'une manière respectueuse de l'environnement.
- ▶ Ne laissez jamais les enfants jouer avec le matériel d'emballage.

AVERTISSEMENT

L'appareil peut tomber du mur s'il n'est pas correctement fixé.

- ▶ Tous les composants de fixation doivent être fixés fermement et solidement en place.

AVIS :

Risque de dommage provenant de la condensation d'un retour d'air.

- ▶ Installer l'évent d'évacuation avec une légèrement pente descendante en direction opposée de l'appareil (1° pente).

AVERTISSEMENT

POUR RÉDUIRE LE RISQUE D'INCENDIE, D'ÉLECTROCUTION OU DE BLESSURES, RESPECTER LES INDICATIONS SUIVANTES :

- ▶ Utilisez cet appareil uniquement de la façon recommandée par le fabricant. Pour toutes questions, veuillez contacter le fabricant.
→ "Service à la clientèle", Page 32
- ▶ Avant de réparer ou de nettoyer l'appareil, coupez l'alimentation électrique au boîtier à fusibles ou des disjoncteurs et verrouillez le dispositif de sectionnement pour éviter que l'alimentation ne soit rétablie accidentellement. Lorsque le dispositif de sectionnement ne peut pas être verrouillé, fixer solidement un accessoire d'avertissement visible et adéquat, comme une étiquette, au boîtier à fusibles ou des disjoncteurs.

AVERTISSEMENT

POUR RÉDUIRE LE RISQUE D'INCENDIE, UTILISER UNIQUEMENT DES SYSTÈMES DE GAINES/ CONDUITES EN MÉTAL.

MISE EN GARDE

Pour réduire le risque de feu et pour évacuer correctement l'air, évacuez l'air vers l'extérieur.

- ▶ N'évacuez pas l'air dans les murs, les plafonds, les greniers, les vides sanitaires ou dans les garages.



IMPORTANTES CONSIGNES DE SÉCURITÉ

LIRE ET CONSERVER CES INSTRUCTIONS

1.3 Manipulation sécuritaire des appareils

AVERTISSEMENT



L'appareil est lourd et son déplacement et installation exigent au moins deux personnes ou encore un équipement approprié.

AVERTISSEMENT



Certaines surfaces cachées peuvent avoir des rebords tranchants.

- ▶ Redoubler de vigilance quand vous passez la main derrière ou sous l'appareil électroménager.

1.4 Codes et normes de sécurité

Cet appareil est conforme aux plus récentes versions de l'une ou plus des normes suivantes :

- UL 507 - Ventilateurs électriques
- CSA C22.2 n° 60335-2-31 - Appareils domestiques électriques et analogues - Sécurité - Partie 2-31 : Exigences particulières pour les hottes de cuisine et autres extracteurs de fumées de cuisson

Il est de la responsabilité du propriétaire et de l'installateur de déterminer si des exigences et/ou des normes supplémentaires s'appliquent à des installations spécifiques.

1.5 Sécurité électrique

- **Installateur** - indiquez au propriétaire l'emplacement du disjoncteur ou du fusible. Identifiez sa position pour pouvoir le retrouver facilement.
- S'il y a lieu, conformément au Code national de l'électricité (ou au Code canadien de l'électricité), cet appareil doit être installé sur un circuit de dérivation séparé.
- Les codes locaux peuvent varier. L'installateur est responsable de s'assurer que l'installation, les connexions et la mise à la terre sont conformes à tous les codes applicables. Le fabricant n'est pas responsable des problèmes associés à une mauvaise installation de ce produit.

- Assurez-vous que l'appareil est correctement installé et mis à la terre par un technicien qualifié. L'installation, les raccordements électriques et la mise à la terre doivent être conformes avec tous les codes en vigueur.
- Voir la fiche signalétique pour plus d'information.
→ "*Emplacement de la plaque signalétique*", Page 32

AVERTISSEMENT

Avant l'installation, couper l'alimentation au panneau de service.

- ▶ Verrouiller le panneau de service pour empêcher que l'alimentation ne soit rétablie par accident.
- Pour les électroménagers dotés d'un cordon d'alimentation avec fiche, ne pas couper ni enlever la broche de mise à la terre.
- ▶ Pour éviter toute électrocution, brancher le cordon dans une prise de courant correspondante avec mise à la terre.
- ▶ En cas de doute concernant la mise à la terre appropriée de la prise murale, le client doit faire vérifier celle-ci par un électricien qualifié.

INSTRUCTIONS DE MISE À LA TERRE

- ▶ Cet appareil doit être mis à la terre. En cas de court-circuit électrique, la mise à la terre réduira le risque de décharge électrique en offrant au courant électrique un fil d'évacuation.
- ▶ Cet appareil est équipé d'un cordon ayant un fil de mise à la terre avec une prise de mise à la terre. La fiche doit être branchée dans une prise qui a été installée et mise à la terre de façon conforme.

AVERTISSEMENT

UNE MISE À LA TERRE INADÉQUATE PEUT ENTRAÎNER UN RISQUE D'ÉLECTROCUTION

- ▶ Consultez un électricien qualifié si vous ne comprenez pas parfaitement les instructions de mise à la terre ou si vous avez des doutes concernant une mise à la terre appropriée.
- ▶ **NE PAS UTILISER DE RALLONGE.**
- ▶ Si le cordon d'alimentation est trop court, demandez à un électricien ou un technicien qualifié d'installer une prise à proximité de l'appareil.

Avant de brancher le cordon électrique ou de mettre sous tension la source d'alimentation, vérifiez que toutes les commandes sont à la position OFF (Arrêt).

AVERTISSEMENT

Pour réduire le risque d'incendie ou d'électrocution, n'utilisez pas ce ventilateur avec un dispositif de contrôle de vitesse à semi-conducteurs.



IMPORTANTES CONSIGNES DE SÉCURITÉ

LIRE ET CONSERVER CES INSTRUCTIONS

AVERTISSEMENT

Les pièces à l'intérieur de l'appareil électroménager peuvent avoir des rebords tranchants. Le cordon d'alimentation peut être endommagé.

- ▶ Ne pliez pas et ne pincez pas le cordon d'alimentation pendant l'installation.

1.6 Mises en garde conformément à la proposition 65 de l'État de Californie

Ce produit pourrait contenir un produit chimique reconnu par l'État de la Californie comme cancérigène ou ayant des effets nocifs sur la reproduction. Par conséquent, vous pourriez devoir apposer l'étiquette suivante sur l'emballage du produit comme requis par la Californie :

AVERTISSEMENT ISSUE DE LA PROPOSITION 65 DE L'ÉTAT DE LA CALIFORNIE :



AVERTISSEMENT

Cancer et dommages à la reproduction -
www.P65Warnings.ca.gov

2 Modes de fonctionnement

Vous pouvez utiliser votre appareil en mode évacuation extérieure ou en mode recirculation de l'air.

2.1 Mode d'extraction d'air

L'air aspiré est épuré par les filtres à graisse et acheminé vers l'extérieur par un système de tuyauterie.



L'air ne doit pas être évacué dans un conduit de fumée utilisé pour évacuer les fumées des appareils brûlant du gaz ou d'autres combustibles (non applicable aux appareils qui ne rejettent que l'air dans la pièce).

- Si l'air évacué doit être acheminé vers un conduit de fumée ou de gaz d'échappement qui ne fonctionne pas, vous devez obtenir l'accord d'un ingénieur en chauffage responsable.
- Si l'air d'échappement est acheminé à travers la paroi externe, un conduit télescopique doit être utilisé.

2.2 Mode de recirculation de l'air

L'air aspiré est nettoyé par les filtres à graisse et un filtre anti-odeurs, puis renvoyé dans la pièce.



Pour lier les odeurs en mode recyclage d'air, vous devez installer un filtre anti-odeurs. Les différentes possibilités de fonctionnement de l'appareil en mode recyclage d'air se trouvent dans notre catalogue. D'autre part, vous pouvez demander au commerçant. Les accessoires nécessaires sont disponibles auprès des revendeurs spécialisés, du service à la clientèle ou de la boutique en ligne.

Lors d'une utilisation en mode de recirculation, utilisez uniquement la trousse de conversion modèles HVREC5UC pour réduire les risques d'incendie et d'électrocution.

3 Avant de commencer

Lisez ces instructions avant de commencer l'installation de votre appareil.

Ce manuel d'installation couvre plusieurs modèles. Tous graphiques sont représentatifs. Votre appareil peut varier en apparence et en fonctionnalités.

3.1 Pièces incluses

Après avoir déballé le produit, inspectez toutes les pièces pour détecter d'éventuels dégâts dus au transport et pour vous assurer de l'intégralité de la livraison, selon l'équipement de l'appareil

3.2 Outils et pièces nécessaires

Préparez ces outils et accessoires avant de commencer à installer votre électroménager.

- Ruban à mesurer
- Crayon
- Tournevis cruciforme n° 2
- Perceuse avec mèche de 3/16 po (4,76 mm)
- Niveau
- Ruban en aluminium (NE PAS utiliser de ruban adhésif isolant ou en tissu)
- Conduit d'évacuation d'air (la configuration dépend de la situation d'installation)
- Vis à tôle supplémentaires (le cas échéant pour l'installation du conduit de ventilation)
- Scie sauteuse

3.3 Dégagement de sécurité

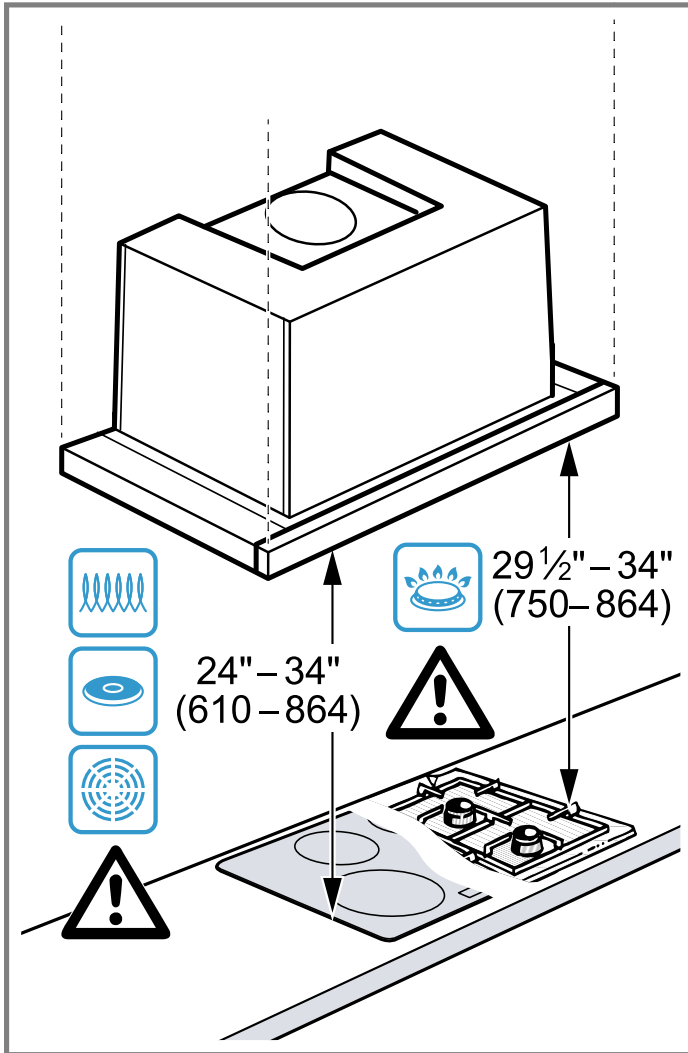
Respectez les dégagements de sécurité de l'appareil.

⚠ AVERTISSEMENT

Les dépôts de graisse dans le filtre à graisse peuvent prendre feu. Les distances de sécurité spécifiées doivent être respectées afin d'éviter une accumulation de chaleur.

- Veuillez respecter les spécifications de votre appareil de cuisson. Si les tables de cuisson au gaz et électriques fonctionnent ensemble, la plus grande distance spécifiée s'applique. Un seul côté de l'appareil peut être installé directement à côté d'une unité à parois hautes ou d'un mur. La distance entre l'appareil et le mur ou l'unité à parois hautes doit être d'au moins 2 po (50 mm).

La distance minimale entre la surface de support de l'équipement de cuisson sur la table de cuisson et la partie la plus basse de la hotte ne doit pas être inférieure à 24 po (610 mm) des cuisinières électriques et 29½ po (750 mm) des cuisinières à gaz ou mixtes.



4 Informations sur la situation d'installation

- Installez cet appareil dans une armoire de cuisine.
- Pour l'installation d'accessoires spéciaux supplémentaires, respectez les instructions d'installation jointes.
- La largeur de la hotte aspirante doit correspondre au moins à la largeur de la plaque de cuisson.
- Pour détecter de manière optimale les vapeurs de cuisson, installez l'appareil au milieu de la table de cuisson.

5 Fonctionnement du ventilateur

⚠ AVERTISSEMENT

Risque d'empoisonnement par reflux des gaz de combustion.

- ▶ L'air évacué ne doit pas être libéré dans un conduit de fumée ou de gaz d'échappement en état de fonctionnement ou dans un conduit utilisé pour ventiler les locaux d'installation contenant des appareils de chauffage. Si l'air évacué doit être libéré vers un conduit de fumée ou de gaz d'échappement qui ne fonctionne pas, vous devez obtenir l'accord de l'inspecteur de zone chauffante responsable.

Si la ventilation traverse un mur extérieur, utilisez un manchon mural télescopique.

6 Conduit d'évacuation

Le fabricant n'est pas responsable des problèmes de performance attribuables à la section de conduit.

- L'ouverture de ventilation et les conduits d'évacuation d'air doivent être réalisés en fonction de la situation individuelle sur le lieu d'installation.
- L'appareil atteint ses performances optimales au moyen d'un conduit d'évacuation d'air court et droit et d'un diamètre de conduit aussi grand que possible.
- En raison de longs conduits d'évacuation d'air, de nombreux coudes de conduit ou de diamètres trop petits, les performances d'extraction optimales ne sont pas atteintes et le bruit du ventilateur est augmenté.
- Lissez la zone de raccordement des conduits avant l'installation.
- Scellez correctement les points de raccordement des conduits.
- Pour éviter que les condensats ne refluent, montez le conduit d'évacuation avec une pente de 1° à partir de l'appareil.

6.1 Conduits ronds

Utilisez des conduits ronds d'un diamètre intérieur de 6 po (150 mm) (recommandé) ou d'au moins 4¾ po (120 mm).

6.2 Conduits plats

La section intérieure doit correspondre au diamètre des conduits ronds.

- Un diamètre de 6 po (150 mm) correspond à env. 27½ po² (177 cm²).
- Un diamètre de 4¾ po (120 mm) correspond à env. 26¾ po² (113 cm²).
- Utilisez une bande d'étanchéité pour les diamètres de conduit différents.
- Les conduits plats ne doivent pas présenter de flèches brusques.

7 Exigences électriques

Lisez ces instructions pour connecter votre appareil en toute sécurité à l'alimentation électrique.

⚠ AVERTISSEMENT

Il doit toujours être possible de déconnecter l'appareil de l'alimentation électrique. L'appareil ne doit être connecté qu'à une prise de contact de protection correctement installée.

- ▶ La fiche secteur du câble d'alimentation secteur doit être facilement accessible une fois l'appareil installé.
- ▶ Si cela n'est pas possible, un sectionneur omnipolaire doit être intégré dans l'installation électrique permanente selon les conditions de la catégorie de surtension III et selon les règlements d'installation.
- ▶ L'installation électrique permanente ne doit être câblée que par un électricien professionnel. Nous vous recommandons d'installer un disjoncteur différentiel (RCCB) dans le circuit d'alimentation de l'appareil.

Les composants tranchants à l'intérieur de l'appareil peuvent endommager le câble de raccordement.

- ▶ Ne pliez pas et ne coincez pas le câble de raccordement.

L'intensité des disjoncteurs de dérivation, les dimensions des câbles et les connexions doivent être conformes aux exigences du Code national de l'électricité ou du Code canadien de l'électricité et à tous les codes et règlements locaux.

- Vous pouvez trouver la plaque signalétique avec les spécifications électriques sur la plaque signalétique de l'appareil. Retirez le filtre à graisse métallique pour y accéder.
- Vérifiez votre installation domestique avant d'installer l'appareil. Veillez à ce que votre installation domestique soit protégée par des fusibles appropriés. La tension et la fréquence de l'appareil doivent correspondre à l'installation électrique.
- L'appareil est conforme à la classe de protection I et ne peut être utilisé qu'avec une connexion de conducteur de protection.
- L'installation doit comporter un sectionneur avec une ouverture de contact d'au moins 1/8 po (3 mm) qui isole tous les pôles du réseau. Il doit toujours être accessible après l'installation.
- Seul un spécialiste en électricité peut poser ou remplacer le câble de raccordement, en tenant compte des réglementations en vigueur.
- Si le câble de raccordement au réseau de cet appareil est endommagé, il doit être remplacé par un câble de raccordement spécial, disponible auprès du fabricant ou de son service après-vente.

8 Informations générales

Suivez ces instructions générales lors de l'installation.

- Pour l'installation, respectez les réglementations de construction en vigueur et les réglementations des fournisseurs locaux d'électricité et de gaz.
- Lors de l'évacuation de l'air évacué, les réglementations officielles et légales, telles que le code du bâtiment régional, doivent être respectées.
- Afin d'accéder librement à l'appareil pour l'entretien, sélectionnez un site d'installation facile d'accès.
- Les surfaces de l'appareil sont sensibles. Évitez de les endommager lors de l'installation.

9 Installation

9.1 Vérification des unités

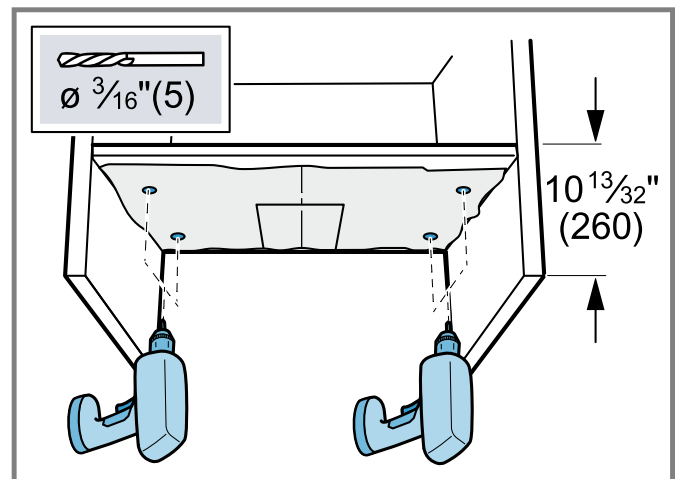
1. Le niveau de l'unité doit être plat et en mesure de soutenir le poids de l'appareil lorsqu'il est en utilisation. Le poids max. de l'appareil est de 10,2 kg (22,5 lb).
2. L'unité dans laquelle l'appareil est installé doit être résistante à la chaleur jusqu'à 90 °C (195 °F).
3. Assurez-vous que l'unité est toujours stable une fois les découpes effectuées.

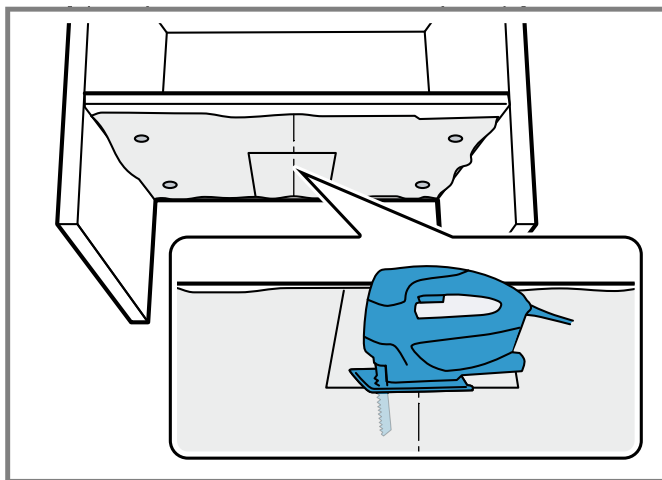
9.2 Préparation des unités

Exigence : L'unité est adaptée à l'installation.

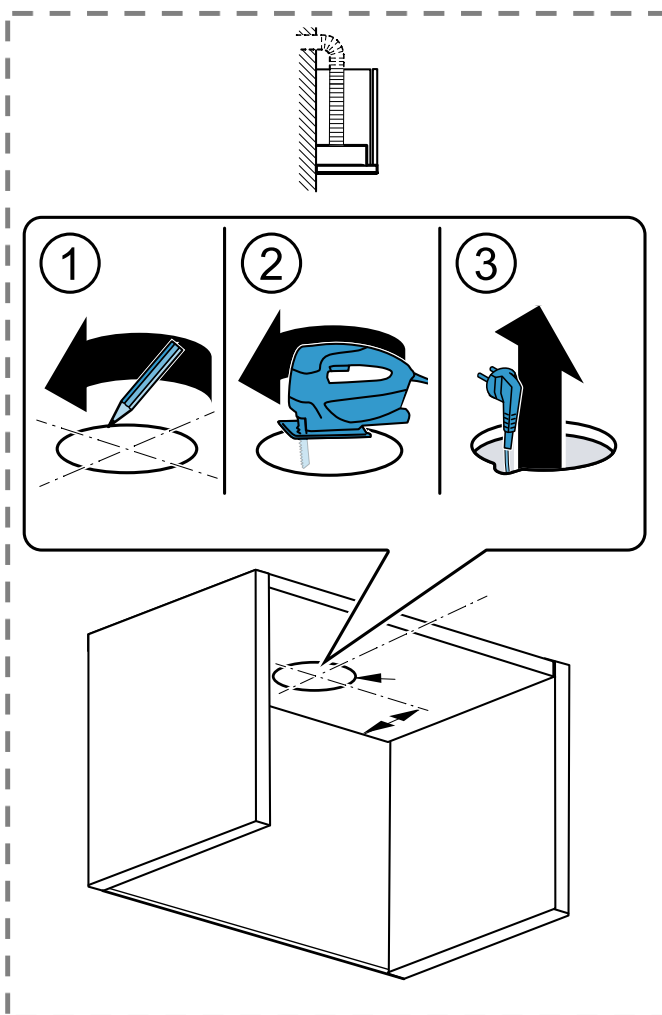
→ "Vérification des unités", Page 24

1. Couvrez la table de cuisson ou le plan de travail pour éviter tout dommage.
2. Assurez-vous que l'armoire est toujours stable une fois les découpes effectuées.
3. Fixez le gabarit sur la face inférieure du plancher de la cloison et percez des trous.

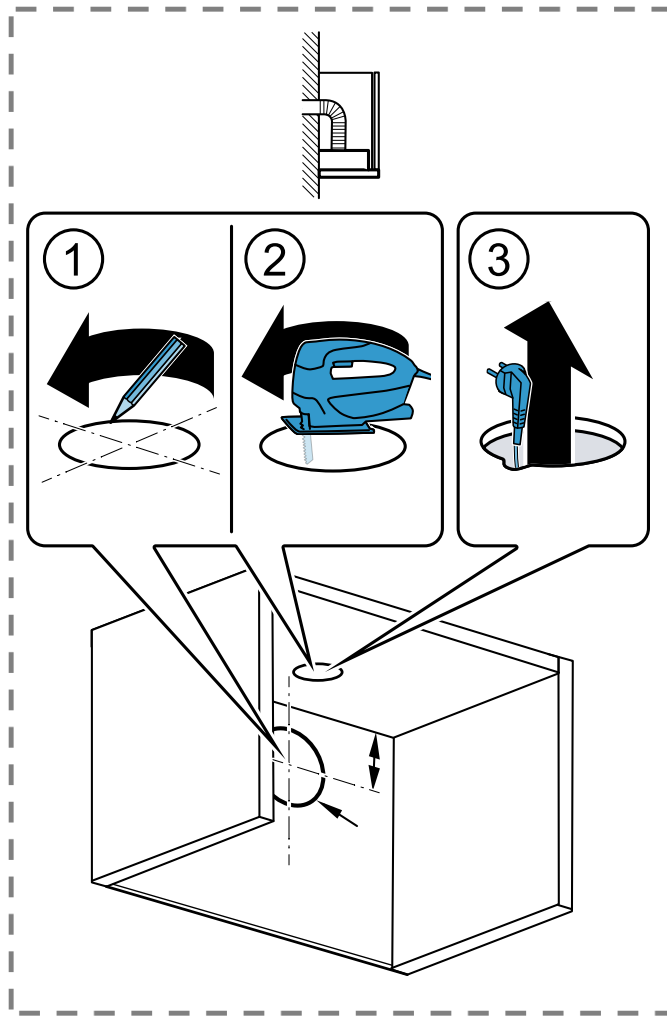




4. Créez la découpe pour le tuyau d'échappement.



Ouverture d'évacuation d'air au-dessus de l'unité encastrée.



Ouverture d'évacuation d'air derrière l'unité encastrée.

9.3 Installation de l'appareil

Vous pouvez installer l'appareil dans un meuble encastré ou à l'aide de supports muraux.

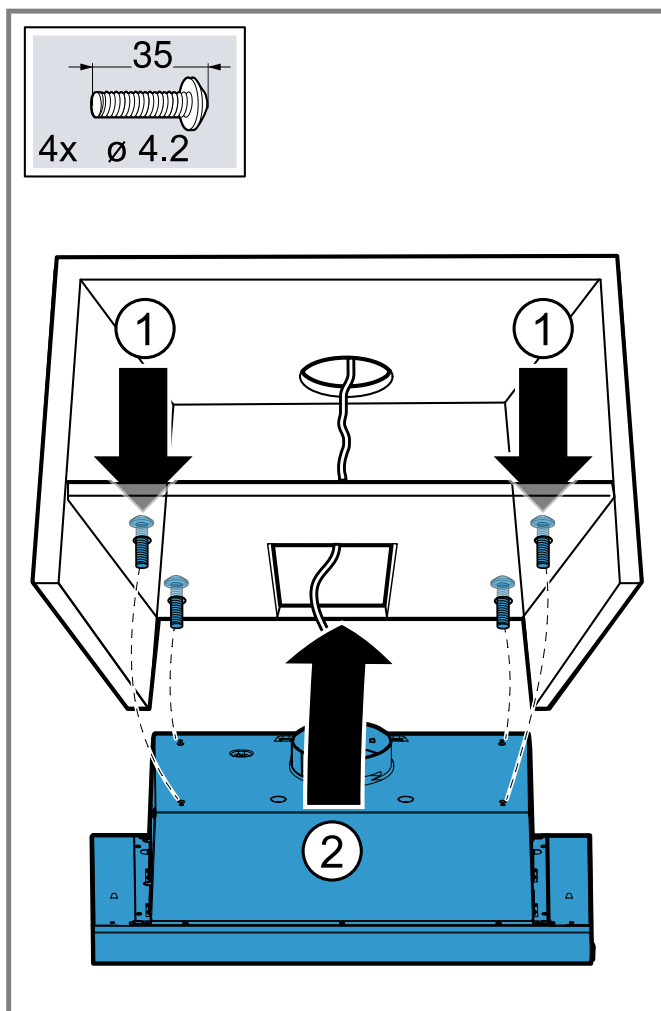
Installation de l'appareil dans l'unité encastrée

⚠ AVERTISSEMENT

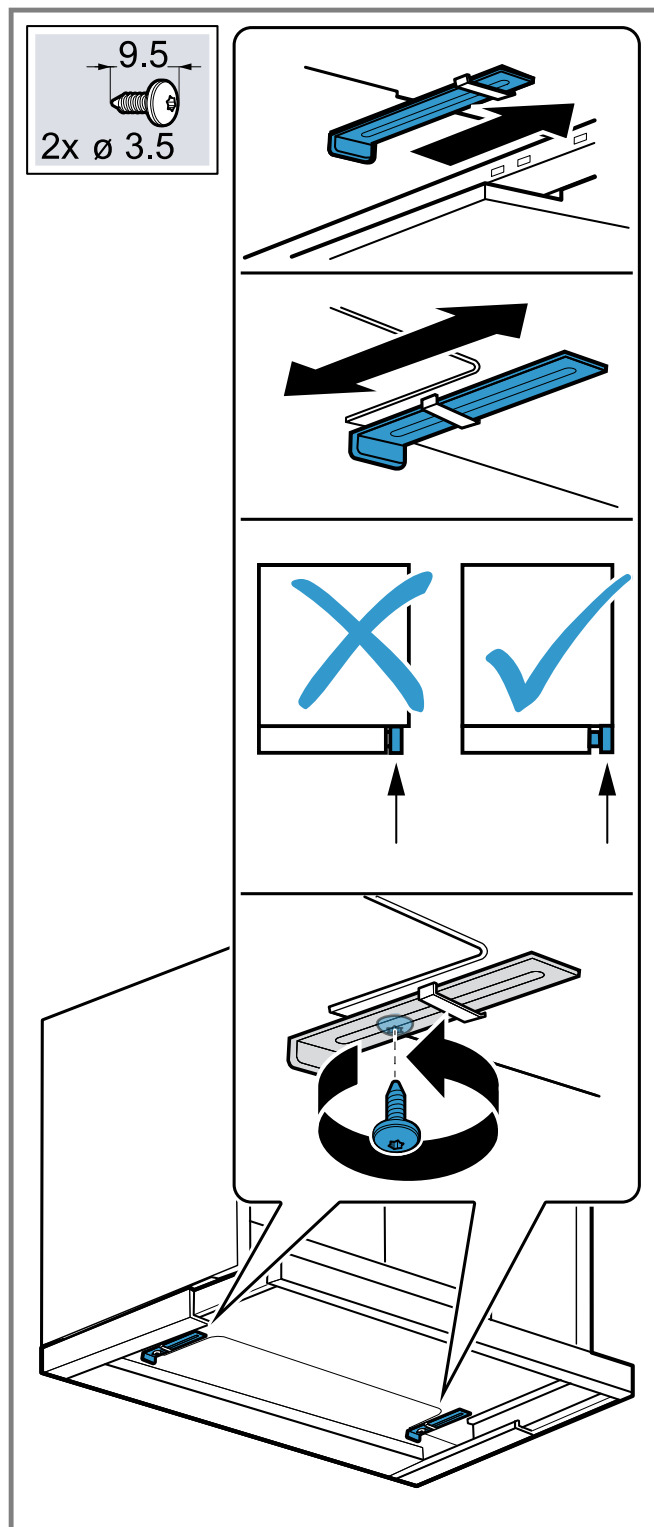
Les pièces à l'intérieur de l'appareil électroménager peuvent avoir des rebords tranchants. Le cordon d'alimentation peut être endommagé.

- ▶ Ne pliez pas et ne pincez pas le cordon d'alimentation pendant l'installation.

1. Vissez fermement l'appareil à l'unité encastrée.



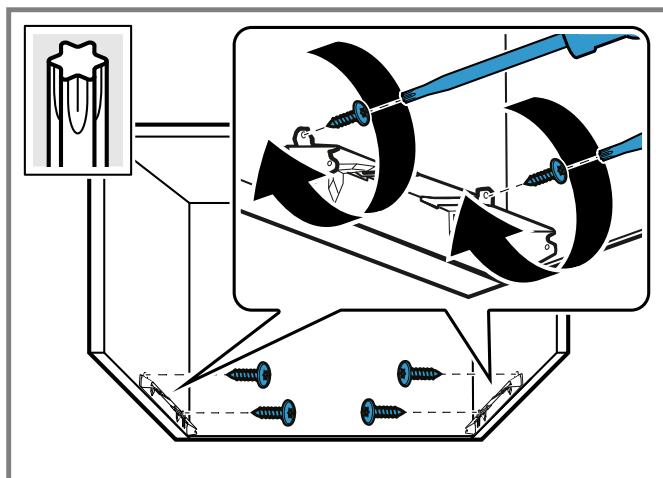
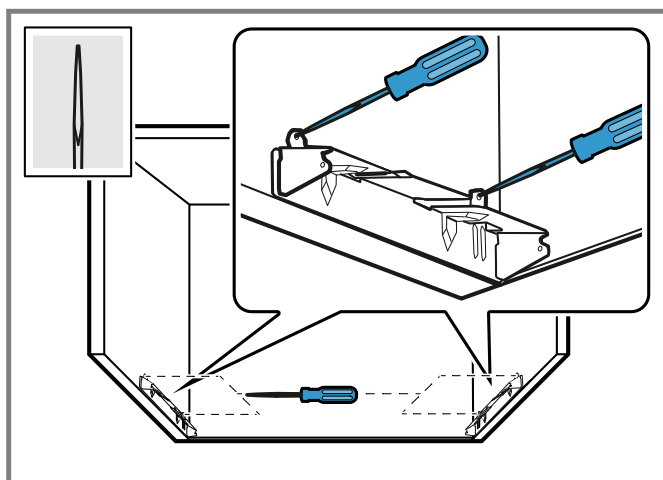
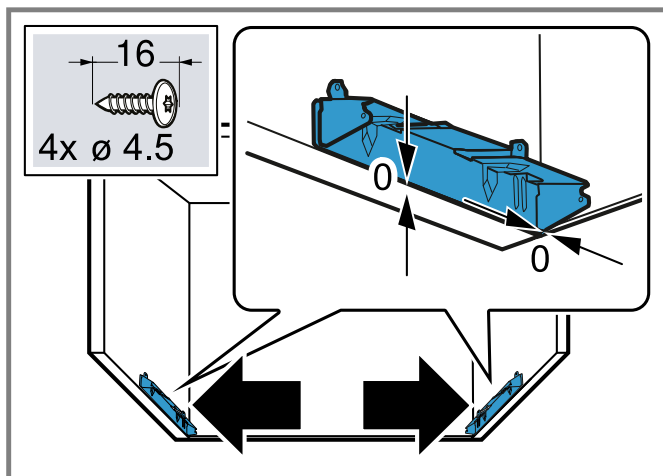
2. Tirez le filtre jusqu'à ce qu'il affleure le bord avant de l'appareil.



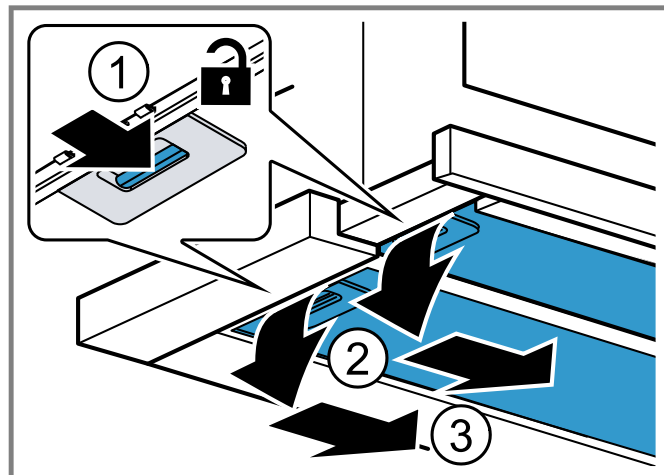
3. Retirez le filtre à graisse. Poussez la butée vers l'avant jusqu'à ce qu'elle se trouve contre la sortie du filtre. Vissez la butée dans cette position.
4. Installez les filtres à graisse.
5. Établissez le raccordement du conduit.
6. Établissez la connexion électrique.

Installation de l'appareil avec des supports muraux

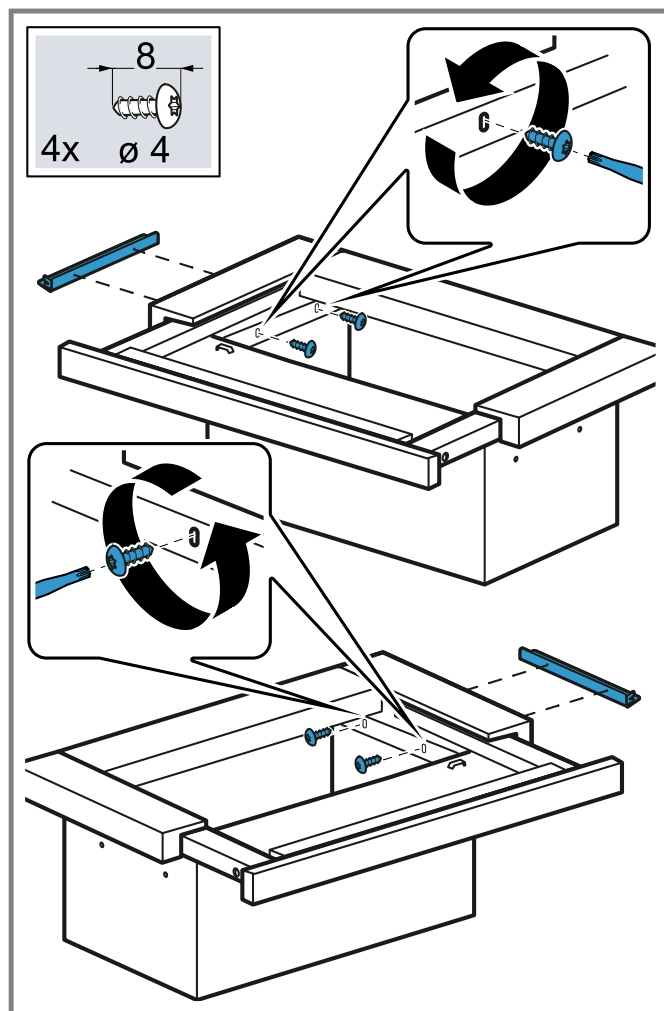
1. Vissez fermement les supports de l'armoire dans l'armoire.



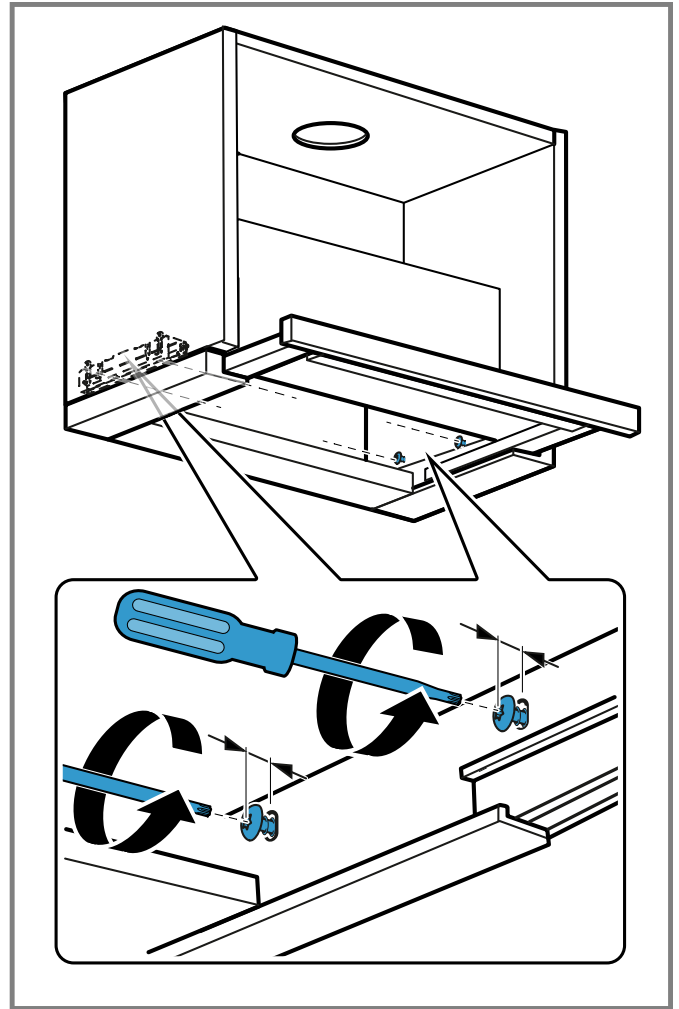
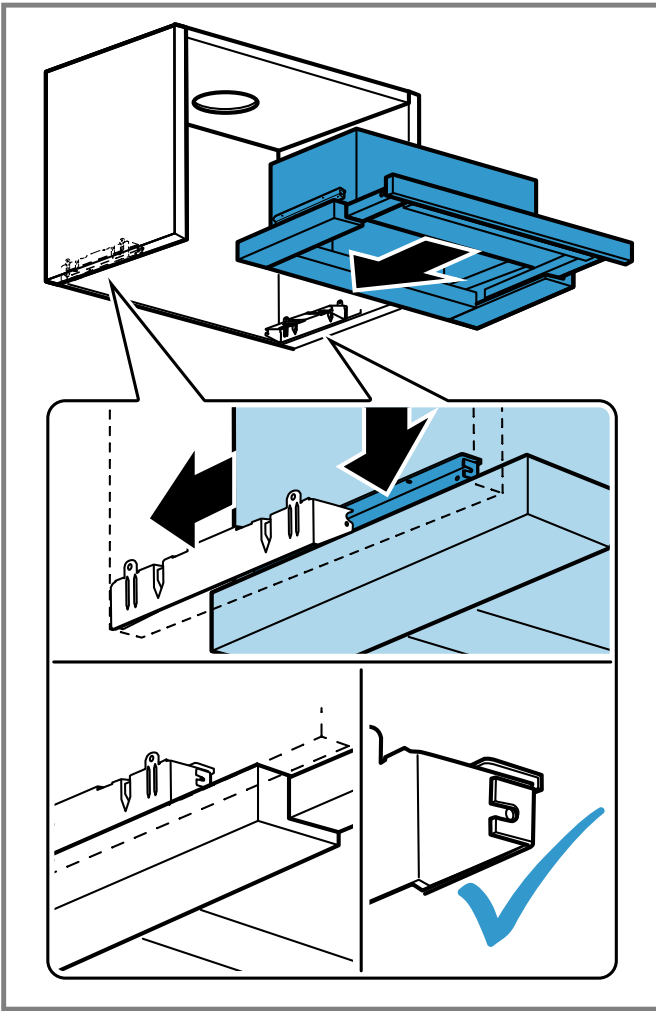
2. Ouvrez le verrou et rabattez le filtre à graisse. Pendant ce temps, placez votre autre main sous le filtre à graisse. Retirez le filtre à graisse de son support.



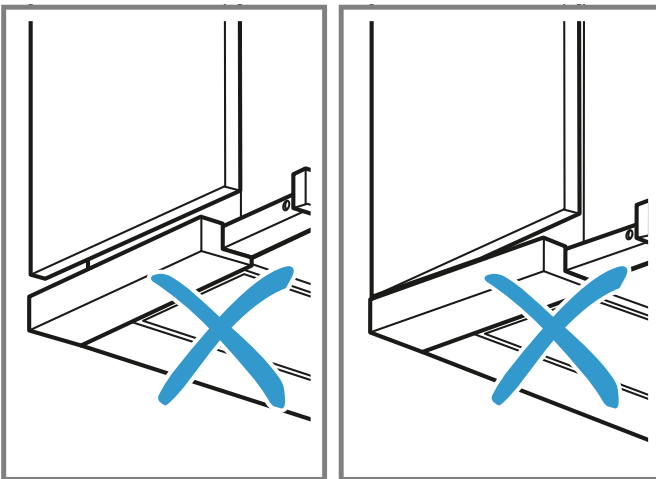
3. Vissez fermement les supports de l'appareil sur l'appareil.

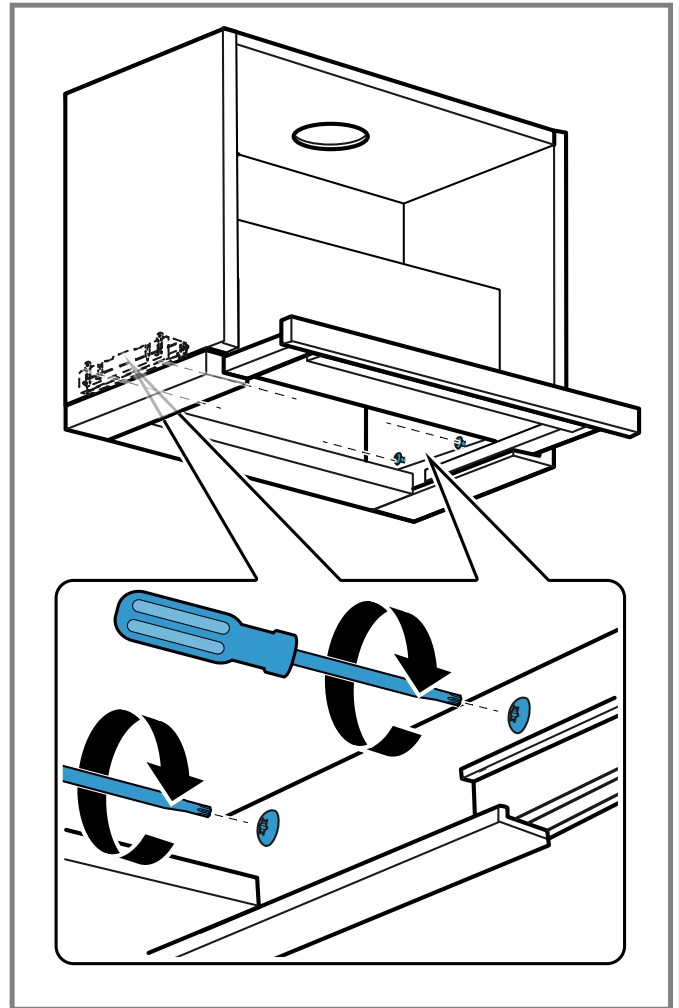
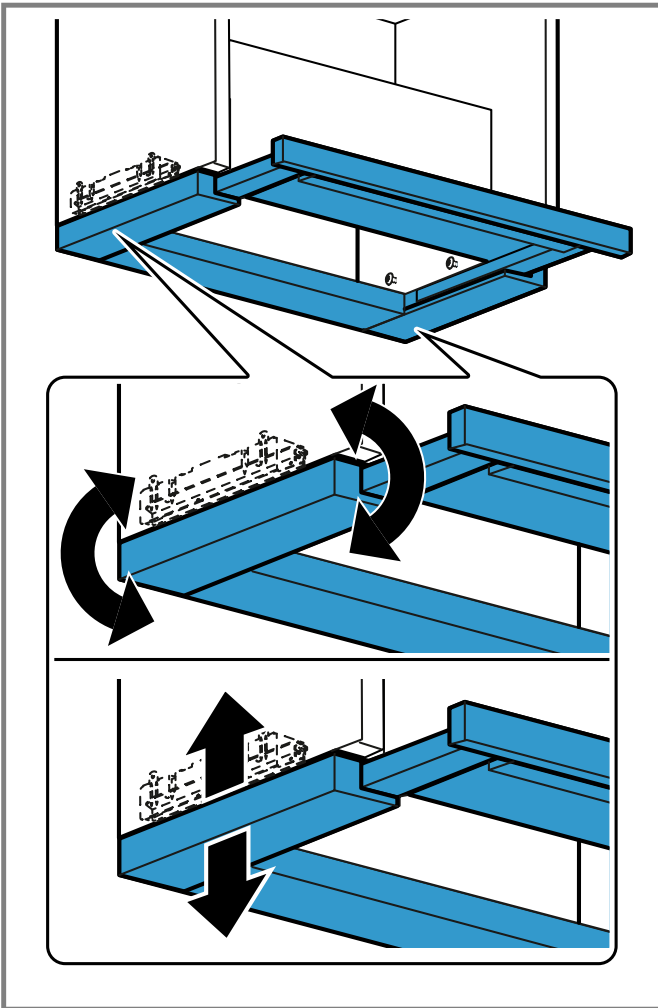


4. Insérez l'appareil dans l'armoire.

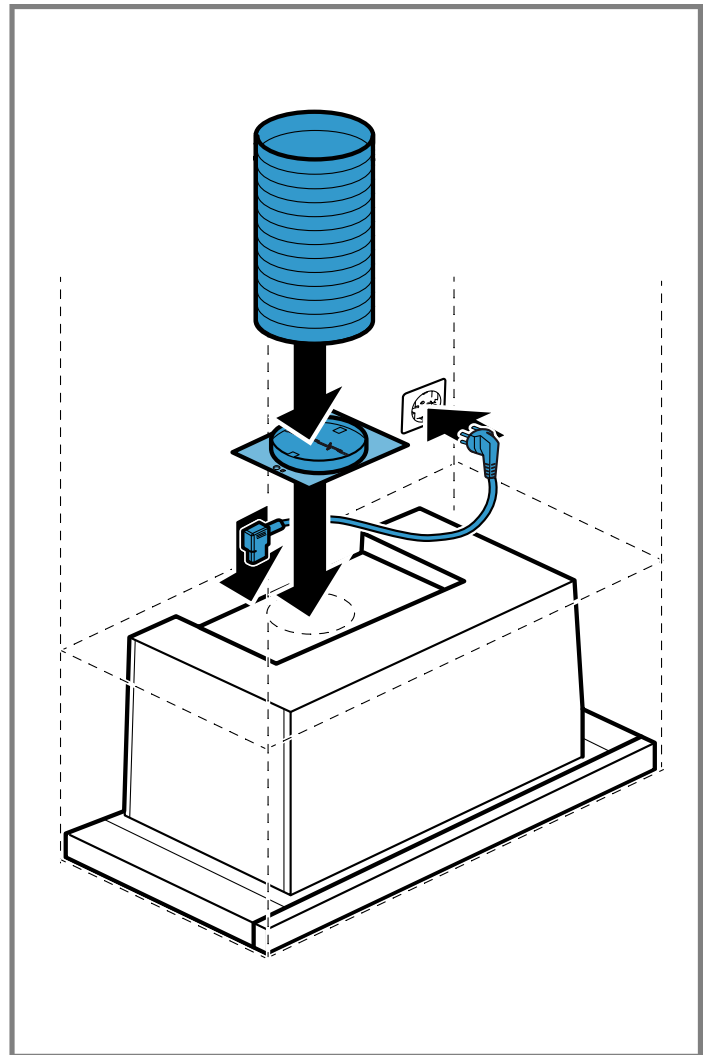
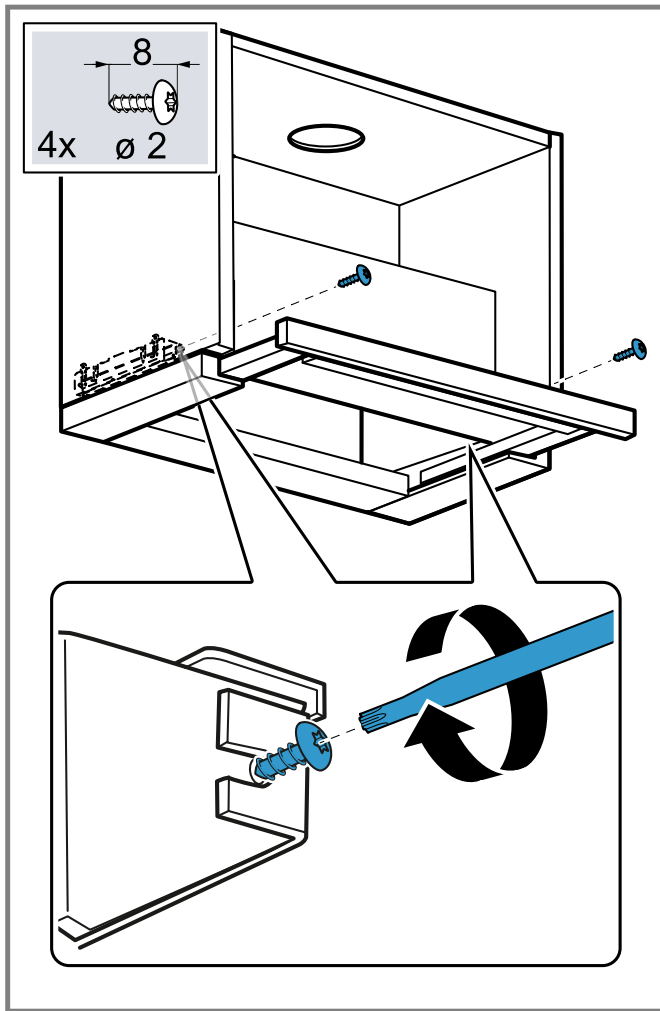


5. Alignez l'appareil.





6. Visez l'appareil en place.



9.4 Inspecter l'installation

1. Vérifiez que le cordon d'alimentation n'est pas obstrué.
2. Vérifiez que les filtres sont correctement installés et qu'ils n'émettent pas de cliquetis.
3. Faites fonctionner la hotte à différentes vitesses de ventilation.
- ✓ L'air doit circuler facilement dans la hotte si les conduits sont dégagés et fonctionnent correctement.
4. Vérifiez si les lumières fonctionnent.
5. Pour tout problème, reportez-vous à la section Dépannage.

9.5 Raccordement de l'appareil

- En cas de fonctionnement en conduit, un clapet anti-retour doit être installé. Si l'appareil n'est pas équipé d'un clapet anti-retour, celui-ci peut être commandé auprès d'un revendeur spécialisé.
- Si l'air vicié est acheminé à travers le mur extérieur, il convient d'utiliser un caisson mural télescopique.

Raccordement des conduits

Exigence : En cas d'utilisation d'un conduit en aluminium, lisser la zone de raccordement avant de raccorder les conduits.

1. Conduit d'évacuation d'air de 6 po (150 mm) de diamètre (taille recommandée) :
 - Fixez le conduit d'évacuation d'air directement au connecteur du conduit d'air et scellez-le.
2. Conduit d'évacuation d'air d'un diamètre de 4¾ po (120 mm) :
 - Fixez le raccord de réduction directement sur le raccord du conduit d'air.
 - Fixez le conduit d'évacuation d'air au connecteur de réduction.
 - Scellez les deux joints de manière appropriée.

Raccordement de l'alimentation électrique

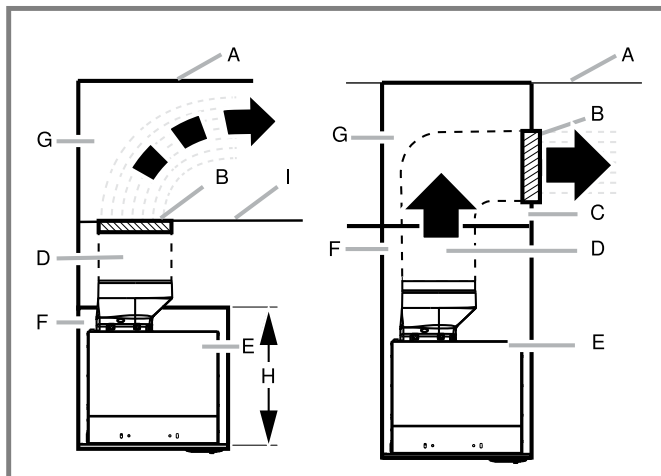
- ▶ Branchez la fiche secteur dans la prise de terre.

9.6 Kit de recirculation en option

Lors d'une utilisation en mode de recirculation, utilisez uniquement la trousse de conversion modèle HVREC5UC pour réduire les risques d'incendie et d'électrocution. S'il est impossible d'évacuer la fumée et les vapeurs de cuisson vers l'extérieur, vous pouvez utiliser la hotte en mode sans évacuation (recirculation) en installant le kit de recirculation. Les fumées et les vapeurs sont recyclées par la grille ronde.

Montage par la sous-face / l'armoire

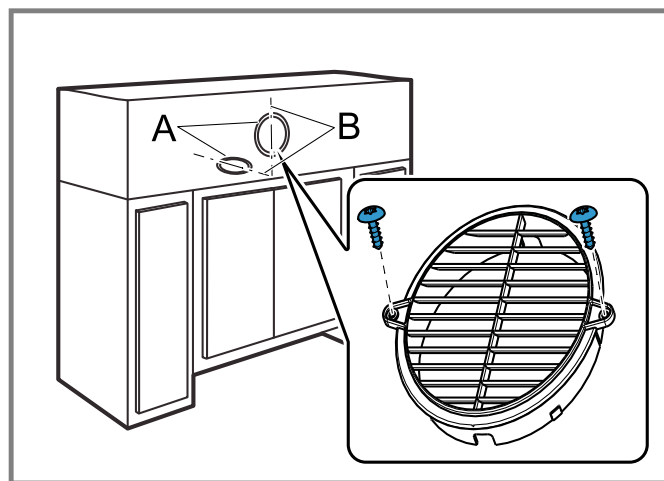
1. Tenez compte du prochain diagramme selon le montage du système de recirculation :



A	Plafond
B	Grille de recirculation
C	Sous-face
D	Conduite de 6 po (15,2 cm)
E	Hotte aspirante
F	Armoire
G	Mur
H	14 po (35,5 cm) hauteur min. de l'armoire
I	Haut de l'armoire


2. Mesurez et tracez l'axe central de l'armoire à la sous-face au-dessus.
3. Mesurez du bas de l'armoire à l'axe central de la sortie de la conduite d'évacuation par la sous-face. Marquez l'emplacement et utilisez une scie sauteuse ou à guichet pour couper un trou de 5¾ po (14,6 cm) pour la grille de recirculation.

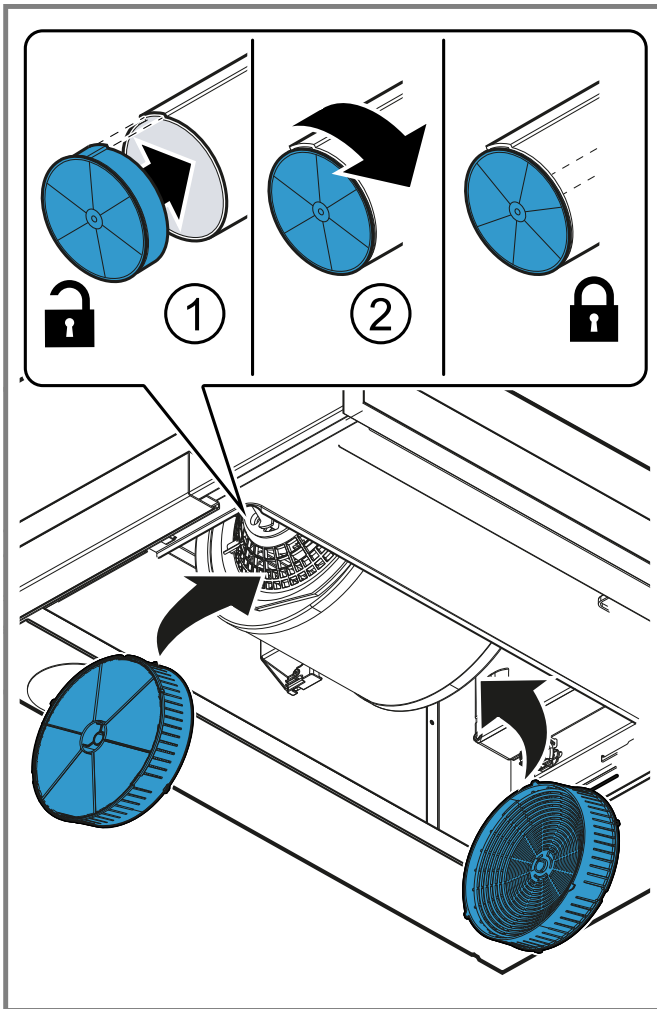
4. Installez la grille de recirculation au moyen des 2 vis fournies.




Remplacement du filtre anti-odeurs en option

Remarque

- Le filtre anti-odeurs ne peut pas être nettoyé. Il faut le remplacer tous les 4 à 6 mois, selon l'utilisation de la hotte.
 - Ne rincez pas et ne mettez pas le filtre anti-odeurs au lave-vaisselle.
1. Retirez les anciens filtres à odeurs.
 2. Placez le nouveau filtre dans la bonne position.
- ✓ La ligne sur le filtre est alignée sur le symbole  sur l'appareil.



3. Tournez le filtre vers le bas jusqu'à ce qu'il s'enclenche.
- ✓ La ligne sur le filtre est alignée sur le symbole  sur l'appareil.

10 Dépose de l'appareil pour réparation ou remplacement

1. Couvrez la table de cuisson pour éviter tout dommage.
2. Déconnectez la connexion électrique.
3. Retirez le raccordement du tuyau.
4. Retirez les filtres à graisse.
5. Desserrez les conduits d'évacuation d'air.
6. Desserrez les vis de fixation de l'unité.
7. Déposez l'appareil.

11 Service à la clientèle

Lors de toute réparation réalisée dans le cadre de la garantie, nous nous assurons que votre appareil est réparé avec des pièces de rechange d'origine par un

technicien dûment formé et agréé. Nous utilisons exclusivement des pièces de rechange d'origine lors des réparations.

Pour plus d'informations sur la durée et les conditions de la garantie dans votre pays, consultez nos modalités de garantie auprès de votre détaillant ou sur notre site Web. Si vous contactez le service à la clientèle, indiquez le numéro de modèle (E-Nr.) et le numéro de fabrication (FD) de l'appareil.

La source de lumière est disponible en tant que pièce de rechange et doit être remplacée uniquement par du personnel qualifié.

USA:

1-800-944-2904

www.bosch-home.com/us/owner-support/get-support

www.bosch-home.com/us/shop

CA:

1-800-944-2904

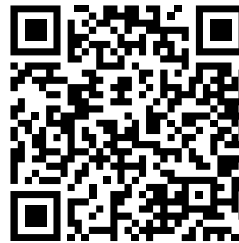
www.bosch-home.ca/en/service/get-support

www.bosch-home.ca/en/service/cleaners-and-accessories

Résidents du Québec :

Vous trouverez des renseignements sur la disponibilité des pièces de rechange, des services de réparation et des renseignements nécessaires à l'entretien ou à la réparation de l'appareil à l'adresse suivante :

www.bosch-home.ca/fr/service/



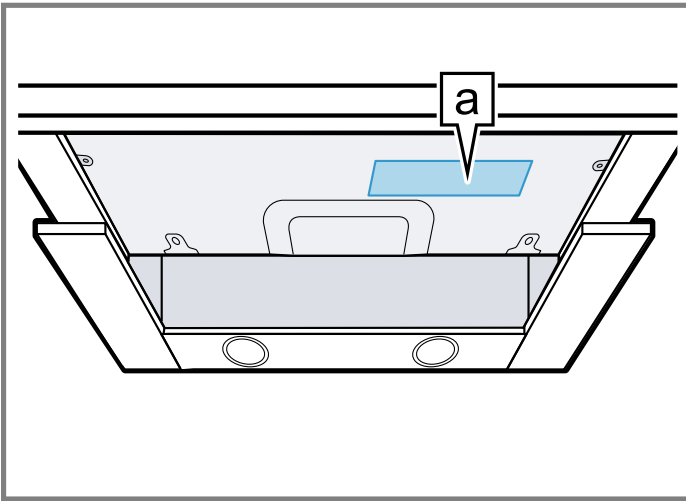
11.1 Numéro de modèle (E-Nr.) et numéro de fabrication (FD)

Le numéro de modèle (E-Nr.) et le numéro de fabrication (FD) sont indiqués sur la plaque signalétique de l'appareil. Pour retrouver rapidement les données de votre appareil et le numéro de téléphone du service à la clientèle, n'hésitez pas à les recopier ailleurs.

11.2 Emplacement de la plaque signalétique

Vous trouverez la plaque signalétique de votre appareil :

- A l'intérieur de l'appareil (retirer les filtres à graisse pour y accéder).



a Plaque signalétique

Tabla de contenidos

1 INSTRUCCIONES DE SEGURIDAD	
IMPORTANTES.....	35
1.1 Definiciones de seguridad.....	35
1.2 Instrucciones generales de seguridad.....	35
1.3 Seguridad de manejo del aparato.....	37
1.4 Códigos y normas de seguridad.....	37
1.5 Seguridad eléctrica.....	37
1.6 Advertencias en virtud de la Proposición 65 del estado de California.....	38
2 Modos de funcionamiento.....	39
2.1 Modo evacuación exterior de aire.....	39
2.2 Modo de recirculación de aire.....	39
3 Antes de empezar.....	39
3.1 Componentes incluidos.....	39
3.2 Herramientas y partes necesarias.....	39
3.3 Distancias de seguridad.....	39
4 Información sobre la ubicación de instalación.....	40
5 Funcionamiento del ventilador.....	40
6 Línea de ventilación.....	40
6.1 Ductos redondos.....	40
6.2 Ductos cuadrados.....	40
7 Requerimientos eléctricos.....	41
8 Información general.....	41
9 Instalación.....	41
9.1 Comprobar la unidad.....	41
9.2 Preparar las unidades.....	41
9.3 Montar el aparato.....	42
9.4 Comprobar la instalación.....	47
9.5 Conectar el aparato.....	47
9.6 Kit de recirculación opcional.....	48
10 Retirar el aparato para mantenimiento o reemplazo.....	49
11 Servicio de atención al cliente.....	49
11.1 Número de modelo (E-Nr.) y número de fabricación (FD).....	49
11.2 Ubicación de la placa de características del aparato.....	49



INSTRUCCIONES DE SEGURIDAD IMPORTANTES

LEA Y CONSERVE ESTAS INSTRUCCIONES

Leer atentamente todas las instrucciones antes de proceder con el uso del aparato. Para reducir el riesgo de incendio, descarga eléctrica y lesiones personales al utilizar el aparato, se deben tomar precauciones de seguridad básicas, incluidas las que se detallan en las siguientes instrucciones de seguridad.

1.1 Definiciones de seguridad

Aquí puede encontrar explicaciones de las palabras de señal de seguridad utilizadas en este manual.

ADVERTENCIA

Esto indica que pueden producirse la muerte o heridas graves si no se cumple con esta advertencia.

PRECAUCIÓN

Esto indica que pueden producirse heridas leves o moderadas si no se cumple con esta advertencia.

AVISO:

Esto indica que pueden producirse daños en el aparato o en los bienes si no se cumple con este aviso.

Nota: Esto alerta sobre información o sugerencias importantes.

1.2 Instrucciones generales de seguridad

IMPORTANTE: CONSERVAR ESTAS INSTRUCCIONES PARA QUE PUEDA USARLAS EL INSPECTOR DE ELECTRICIDAD LOCAL.

PROPIETARIO: CONSERVAR ESTAS INSTRUCCIONES PARA FUTURAS REFERENCIAS.

INDICACIÓN PARA EL INSTALADOR: ESTAS INSTRUCCIONES DEBEN PERMANECER CON EL APARATO UNA VEZ FINALIZADA LA INSTALACIÓN.

ADVERTENCIA

Si no se sigue con exactitud la información de este manual, se puede producir un incendio o una descarga eléctrica que podrían causar daños materiales o lesiones personales.

No reparar, reemplazar ni retirar ninguna parte del aparato a menos que se recomiende específicamente en los manuales. La instalación, el servicio técnico o el mantenimiento incorrectos pueden causar lesiones o daños materiales.

► Consultar este manual como guía.

► Cualquier otra labor de mantenimiento debe de ser efectuada por un proveedor de servicios de mantenimiento autorizado.

ADVERTENCIA

PARA REDUCIR EL RIESGO DE INCENDIO, DESCARGA ELÉCTRICA O LESIONES PERSONALES, ES PRECISO CUMPLIR CON LAS INDICACIONES SIGUIENTES.

- Los trabajos de montaje y el tendido del cableado eléctrico deberá realizarlos personal calificado de conformidad con todos los códigos y normas aplicables, incluidas aquellas relativas a la construcción resistente al fuego.
- Se necesita una cantidad suficiente de aire para la correcta combustión y extracción de gases a través de la salida de humos (chimenea) del equipo de quema de combustible para evitar el reflujo. Seguir las indicaciones del fabricante del aparato de calentamiento y las normas de seguridad, como las publicadas por la Asociación Nacional de Protección contra el Fuego (NFPA, por sus siglas en inglés), la Sociedad Americana de Ingenieros de Calefacción, Refrigeración y Aire Acondicionado (ASHRAE, por sus siglas en inglés) y las autoridades locales.
- Cuando se corte o perfore la pared o el techo, no dañar el cableado eléctrico ni otros sistemas ocultos.
- Los ventiladores de ductos, utilizados para extraer contaminantes, siempre deben extraer el aire hacia el exterior.
- Deben cumplirse las regulaciones relativas a la descarga de aire.

En la instalación de la campana deben respetarse las regulaciones vigentes de las compañías de suministro energético y las regulaciones de construcción regionales.

ADVERTENCIA

La grasa acumulada en el filtro antigrasa puede incendiarse.

- No trabajar nunca con una llama directa cerca del aparato (p. ej., flambeados).
- Instalar la unidad cerca de un aparato que produzca calor con combustibles sólidos (por ejemplo, leña o carbón) solo si dispone de una cubierta cerrada y no desmontable. No deben volar chispas.



INSTRUCCIONES DE SEGURIDAD IMPORTANTES

LEA Y CONSERVE ESTAS INSTRUCCIONES

Utilizar varias zonas de cocción de gas simultáneamente da lugar a una cantidad elevada de calor. Esto puede dañar o incendiar el aparato de ventilación.

- ▶ El aparato de ventilación solo se debe usar en combinación con zonas de cocción que no excedan la potencia máxima total de hasta 61 000 BTU/h (18 kW). Si se superan los 41 000 BTU/h (12 kW), deben respetarse las regulaciones locales relativas a la ventilación de estancias, al tamaño de las mismas y a la combinación con dispositivos de ventilación en funcionamiento de extracción y recirculación.

ADVERTENCIA

La habitación deberá contar con una ventilación adecuada al utilizar la campana de extracción al mismo tiempo que aparatos que queman gas u otros combustibles.

- ▶ El funcionamiento seguro es posible siempre que la presión en la habitación donde esté instalado el quemador no supere los 4 Pa (0.04 mbar).
- ▶ Esto puede lograrse facilitando el flujo de aire de combustión a través de aperturas no bloqueables, por ejemplo, puertas, ventanas o a través de la caja separadora de admisión/extracción de aire, o mediante la toma de otras medidas técnicas, como la interconexión recíproca, etc.

Evite el envenenamiento por monóxido de carbono: proporcione una toma de aire adecuada para que los gases de combustión no vuelvan a entrar en la habitación. Una caja separadora de admisión/extracción de aire por sí sola no garantiza que no se supere el valor límite.

- ▶ Nota: Al evaluar los requisitos generales, debe tenerse en cuenta el sistema de ventilación combinado de toda la vivienda. Esta regla no se aplica al uso de aparatos de cocina, como placas de cocción y hornos.

ADVERTENCIA

Colocar incorrectamente los tornillos o sujetadores, o los dispositivos de carga de acuerdo con estas instrucciones podría ocasionar peligros eléctricos.

PRECAUCIÓN

Solo para ventilación general.

- ▶ No utilizar para la extracción de sustancias o vapores peligrosos o explosivos.

ADVERTENCIA

No modificar ni alterar la construcción del aparato.

El aparato solamente deberá usarse si lo ha instalado un técnico calificado, de acuerdo con estas instrucciones de instalación. El fabricante no es responsable de ningún daño causado por una instalación incorrecta.

ADVERTENCIA

Retirar toda la cinta y el embalaje antes de usar el aparato.

- ▶ Destruir el embalaje después de desembalar el aparato.
- ▶ Desechar el embalaje de manera respetuosa con el medio ambiente.
- ▶ No dejar nunca que los niños jueguen con el material de embalaje.

ADVERTENCIA

El aparato puede caerse de la pared si no está correctamente acoplado.

- ▶ Deben fijarse con firmeza y de forma segura todos los componentes de fijación.

AVISO:

Riesgo de daños debido al reflujo de condensación.

- ▶ Instalar la ventilación de escape del aparato ligeramente inclinada hacia abajo (1 ° de desnivel).

ADVERTENCIA

PARA REDUCIR EL RIESGO DE INCENDIO, DESCARGA ELÉCTRICA O LESIONES PERSONALES, ES PRECISO CUMPLIR CON LAS INDICACIONES SIGUIENTES:

- ▶ Utilizar esta unidad solo de la manera prevista por el fabricante. En caso de duda, ponerse en contacto con el fabricante.
→ "Servicio de atención al cliente", Página 49
- ▶ Antes de limpiar o proceder al mantenimiento de la unidad, apagar el interruptor de electricidad en el panel de servicio y bloquear el dispositivo de desconexión para evitar que se encienda accidentalmente. Si el dispositivo de desconexión no se puede bloquear, colocar alguna advertencia visible, como una nota, en el panel de servicio.

ADVERTENCIA

PARA REDUCIR EL RIESGO DE INCENDIO, UTILIZAR ÚNICAMENTE DUCTOS METÁLICOS.



INSTRUCCIONES DE SEGURIDAD IMPORTANTES

LEA Y CONSERVE ESTAS INSTRUCCIONES

PRECAUCIÓN

Para reducir el riesgo de incendio y para hacer que el aire se evacue correctamente, asegurarse de canalizar todo el aire hacia el exterior.

- ▶ No dirigir el aire de salida hacia lugares entre paredes o techos, áticos, semisótanos o cocheras.

1.3 Seguridad de manejo del aparato

ADVERTENCIA



La unidad es pesada y se requieren al menos dos personas o un equipo adecuado para trasladarla e instalarla.

ADVERTENCIA



Las superficies ocultas pueden tener bordes afilados.

- ▶ Proceder con cuidado al intentar sujetar el aparato por la parte trasera o desde abajo.

1.4 Códigos y normas de seguridad

Este aparato cumple con la última versión de una o varias de las siguientes normas:

- UL 507: Ventiladores eléctricos
- CSA C22.2 N.º 60335-2-31 — Aparatos Eléctricos de Uso Doméstico y Similares — Seguridad — Parte 2-31: Requisitos particulares para campanas extractoras y otros extractores de humos de cocina

Es responsabilidad del propietario y del instalador determinar si son aplicables otros requisitos o normas en instalaciones específicas.

1.5 Seguridad eléctrica

- **Instalador:** es preciso mostrar al propietario la ubicación del breaker del circuito o del fusible. Marcarla para recordarla más fácilmente.
- Si el Código Nacional Eléctrico (o el Código Eléctrico Canadiense) así lo exige, este aparato debe instalarse con un circuito derivado dedicado por separado.
- Las normativas locales varían. El instalador es responsable de asegurarse de que la instalación, las conexiones y la toma de tierra cumplan con todas las normativas aplicables. El fabricante no se hace responsable de los problemas asociados a un montaje incorrecto de este producto.

- Asegurarse de que el aparato esté correctamente instalado y conectado a tierra por un técnico calificado. La instalación, las conexiones eléctricas y la puesta a tierra deben cumplir con todas las normas aplicables.
- Para obtener más información, consultar la placa de características.
→ "Ubicación de la placa de características del aparato", Página 49

ADVERTENCIA

Antes de realizar la instalación, desconectar la alimentación eléctrica en el panel de servicio.

- ▶ Bloquear el panel de servicio para impedir que se conecte accidentalmente la alimentación eléctrica. Para los aparatos provistos de cable y enchufe, no cortar ni retirar la terminal de conexión a tierra;
- ▶ se requiere para enchufarla en un receptáculo adecuado con conexión a tierra para evitar descargas eléctricas.
- ▶ Si se tienen dudas acerca de si el enchufe de la pared tiene una conexión a tierra adecuada, el cliente debería pedirle a un electricista calificado que lo compruebe.

INSTRUCCIONES PARA LA CONEXIÓN A TIERRA

- ▶ Este aparato debe estar conectado a tierra. En caso de cortocircuito, la conexión a tierra reduce el riesgo de descarga eléctrica, ya que se trata de un cable de salida por el que puede desviarse la corriente eléctrica.
- ▶ Este aparato está equipado con un cable de conexión a tierra y con un enchufe de conexión a tierra. El enchufe debe conectarse en una toma que esté correctamente instalada y conectada a tierra.

ADVERTENCIA

UNA PUESTA A TIERRA INCORRECTA PUEDE CAUSAR UNA DESCARGA ELÉCTRICA

- ▶ Es preciso consultar con un electricista calificado si no se comprende la totalidad de las instrucciones de puesta a tierra o si se tiene alguna duda respecto de si el aparato está correctamente conectado a tierra.
- ▶ **NO USAR UN CABLE DE EXTENSIÓN.**
- ▶ Si el cable de suministro de alimentación es demasiado corto, se deberá solicitar a un electricista calificado que instale una toma de corriente cerca del aparato.

Antes de enchufar un cable eléctrico o encender la fuente de alimentación eléctrica, asegúrese de que todos los controles se encuentren en la posición OFF (apagado).



INSTRUCCIONES DE SEGURIDAD IMPORTANTES

LEA Y CONSERVE ESTAS INSTRUCCIONES

ADVERTENCIA

Para reducir el riesgo de incendio o descarga eléctrica, no utilice este ventilador con ningún dispositivo de control de velocidad de estado sólido.

ADVERTENCIA

Los componentes dentro del aparato pueden tener bordes filosos. El cable de alimentación puede estar dañado.

- ▶ No retorcer ni pellizcar el cable de alimentación durante la instalación.

1.6 Advertencias en virtud de la Proposición 65 del estado de California

Este producto puede contener un químico que el Estado de California reconoce como potencialmente cancerígeno o causante de daños reproductivos. Por tanto, su producto debe llevar en su embalaje la siguiente etiqueta de conformidad con la legislación de California:

ADVERTENCIA EN VIRTUD DE LA PROPOSICIÓN 65 DEL ESTADO DE CALIFORNIA:

⚠ ADVERTENCIA

Cáncer y daño reproductivo - www.P65Warnings.ca.gov

2 Modos de funcionamiento

El aparato puede utilizarse en funcionamiento con evacuación exterior de aire o en funcionamiento con recirculación de aire.

2.1 Modo evacuación exterior de aire

Los filtros antigrasa limpian el aire aspirado y lo transportan al exterior a través de un sistema de tubos.



No se debe extraer el aire a una chimenea que se utilice para evacuar humos de aparatos que queman gas u otros combustibles (esto no se aplica a aparatos que solo devuelven aire a la estancia).

- Si el aire de salida se necesita transportar a una chimenea de humos o gas que no funciona, debe obtenerse primero el permiso del técnico de calefacción responsable.
- Si el aire de salida se transporta por medio de la pared exterior, se debe utilizar un pasamuros telescópico.

2.2 Modo de recirculación de aire

Los filtros antigrasa y los filtros antiolores limpian el aire aspirado y lo transportan a la estancia de nuevo.



Para retener los olores en modo de recirculación de aire, debe instalarse un filtro antiolores. Las diferentes opciones para el funcionamiento del aparato en el modo de recirculación de aire se encuentran en nuestro catálogo. Si lo prefiere, consulte a su distribuidor. Los accesorios necesarios están disponibles en tiendas especializadas, en el servicio de atención al cliente o en la tienda en línea.

Cuando se use en modo de recirculación, usar solo el kit de conversión modelo HVREC5UC para reducir el riesgo de incendio y de descarga eléctrica.

3 Antes de empezar

Leer estas instrucciones antes de comenzar la instalación del aparato.

Este manual de instalación abarca varios modelos. Todos los gráficos son representativos. La apariencia y las funciones del aparato pueden variar.

3.1 Componentes incluidos

Después de desembalar el aparato, verifique que todas las piezas no presenten daños ocasionados durante el transporte, así como que el volumen de suministro esté completo.

Según el equipamiento del aparato

3.2 Herramientas y partes necesarias

Preparar los siguientes accesorios y herramientas antes de comenzar la instalación del aparato.

- Cinta métrica
- Lápiz
- Desarmador Phillips nr. 2
- Taladrar con broca de 4.76 mm ($\frac{3}{16}$ ")
- Nivel
- Cinta de aluminio (NO utilizar cinta aislante o de tela para conductos)
- Ducto de ventilación de escape (la configuración depende del entorno de la instalación)
- Tornillos adicionales para la placa (en caso de que sea necesario para la instalación del ducto de ventilación de escape)
- Sierra caladora

3.3 Distancias de seguridad

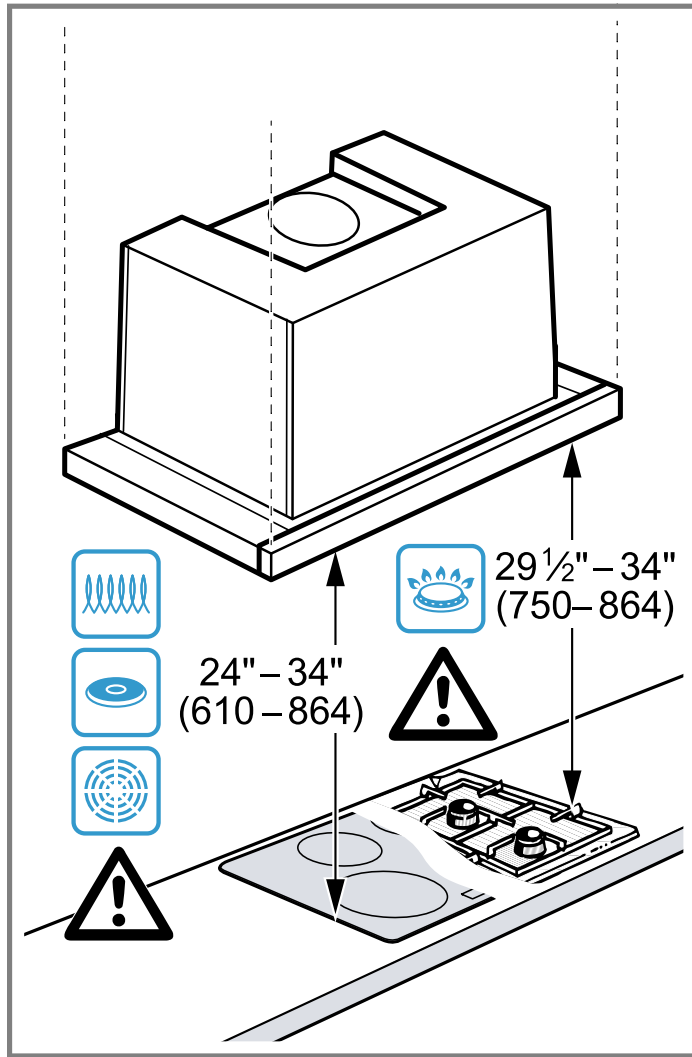
Deben observarse las distancias de seguridad del aparato.

ADVERTENCIA

La grasa acumulada en el filtro antigrasa puede incendiarse. Deben tenerse en cuenta las distancias de seguridad indicadas a fin de prevenir la acumulación de calor.

- ▶ Tener en cuenta las especificaciones de su aparato de cocción. Si se utilizan a la vez placas de cocción de gas y eléctricas, se aplicará la mayor distancia indicada. Solo se podrá instalar un lado del aparato directamente junto a una unidad elevada o una pared. La distancia entre el aparato y la pared o la unidad elevada debe ser de al menos 2" (50 mm).

La distancia mínima entre la superficie de apoyo del equipo de cocción en la placa de cocción y la parte inferior de la campana extractora no debe ser inferior a 24" (610 mm) en el caso de las cocinas eléctricas y a 29½" (750 mm) en el caso de las cocinas de gas o mixtas.



4 Información sobre la ubicación de instalación

- Instalar este aparato en un gabinete de cocina.
- Para el montaje de accesorios especiales adicionales, se deben tomar en cuenta las instrucciones de instalación correspondientes.
- El ancho de la campana extractora debe corresponderse, como mínimo, con el ancho de la placa de hornillas.
- Para una detección óptima de los vapores de cocción, debe instalarse el aparato centrado con respecto a la placa de hornillas.

5 Funcionamiento del ventilador

⚠ ADVERTENCIA

Riesgo de intoxicación debido a los gases de chimenea que fluyen de regreso.

- ▶ El aire de salida no debe descargarse en una chimenea de humos o de escape de gases en funcionamiento o en un ducto usado para ventilar habitaciones en las que se cuenta con aparatos de calefacción. Si el aire de salida se necesita descargar en una chimenea de humos o de escape de gases que no se está utilizando, debe obtenerse primero el permiso del inspector de calefacción responsable de esa zona.

Si la ventilación se canaliza a través de un muro externo, se tiene que utilizar un pasamuros telescópico.

6 Línea de ventilación

El fabricante no asume ninguna garantía por los problemas de rendimiento debidos a la sección de ductos.

- La abertura de ventilación y los ductos de ventilación de escape deben estar hechos conforme a la situación individual del lugar de instalación.
- El aparato alcanza su potencia óptima con un ducto de ventilación con escape recto y corto, y con un diámetro grande en la medida de lo posible.
- Con ductos de ventilación de escape largos, muchos codos de ducto o diámetros de tubo de un tamaño demasiado pequeño, no se consigue la capacidad de extracción óptima y los ruidos del ventilador serán mayores.
- Antes de instalar, pulir previamente la zona de empalme de los ductos.
- Sellar perfectamente los puntos de unión de los ductos.
- Para impedir que la condensación fluya de regreso, colocar el ducto de salida de aire con una inclinación de 1° respecto al aparato.

6.1 Ductos redondos

Utilizar ductos redondos con un diámetro interior de 6" (150 mm) (recomendado) o por lo menos de 4¾" (120 mm).

6.2 Ductos cuadrados

La sección transversal interior debe equivaler al diámetro de los ductos redondos.

- Un diámetro de 6" (150 mm) equivale a aprox. 27½ sq in (177 cm²).
- Un diámetro de 4¾" (120 mm) equivale a aprox. 26¾ sq in (113 cm²).
- Utilice una junta de sellado para los diámetros de los ductos de desviación.
- Los ductos cuadrados no deberían tener deflectores afilados.

7 Requerimientos eléctricos

Leer las presentes instrucciones para conectar con seguridad el aparato al suministro eléctrico.

⚠ ADVERTENCIA

Siempre debe ser posible desconectar el aparato de la fuente de alimentación. El aparato solo puede estar conectado a un enchufe con contacto de protección correctamente instalado.

- ▶ El enchufe de alimentación del cable de alimentación de red debe ser fácilmente accesible una vez que se ha instalado el aparato.
- ▶ Si esto no es posible, debe integrarse un interruptor de aislamiento para todos los polos en la instalación eléctrica fija de acuerdo con las condiciones de la categoría de sobrevoltaje III y teniendo en cuenta las normativas relativas a la instalación.
- ▶ La instalación eléctrica fija solo debe cablearla un electricista calificado. Se recomienda colocar un breaker de corriente residual (RCCB) en el circuito de alimentación del aparato.

Los objetos con bordes afilados situados en el interior del aparato pueden dañar el cable de conexión.

- ▶ No torcer ni dejar aprisionado el cable de conexión.

El amperaje de los breakers, el calibre de los cables y las conexiones deben cumplir con los requisitos del Código Nacional Eléctrico o el Código Eléctrico Canadiense y todos los códigos y reglamentos locales.

- Puede encontrar la placa de características con las especificaciones eléctricas en la placa de características del aparato. Retirar el filtro de metal antigrasa para acceder a ella.
- Revise su instalación doméstica antes de instalar el aparato. Preste atención a un adecuado interruptor automático para su instalación doméstica. El voltaje y la frecuencia del aparato deben corresponder con la instalación eléctrica.
- El aparato cumple con la clase de protección 1 y solo puede utilizarse conectado a una conexión con conductor PE.
- El montaje debe contener un seccionador con una abertura de contacto de al menos 1/8" (3 mm) que aisle todos los polos de la red eléctrica. Debe quedar accesible después del montaje.
- Solo un especialista en electricidad puede colocar o sustituir el cable de conexión, prestando atención a las regulaciones vigentes.
- Si el cable de conexión a la red de este aparato está dañado, debe sustituirse por un cable de conexión especial, que puede obtenerse del fabricante o del servicio posventa del fabricante.

8 Información general

Seguir estas instrucciones generales durante el montaje.

- Para la instalación, tener en cuenta las normativas vigentes relativas a la construcción y las normativas de los suministradores locales de electricidad y gas.
- Al descargar el aire de salida, deben tenerse en cuenta las normativas legales y oficiales, como el código de construcción regional.
- Para acceder libremente al aparato para su mantenimiento, seleccionar una ubicación de instalación fácilmente accesible.
- Las superficies del aparato son sensibles. Evitar dañarlas durante el montaje.

9 Instalación

9.1 Comprobar la unidad

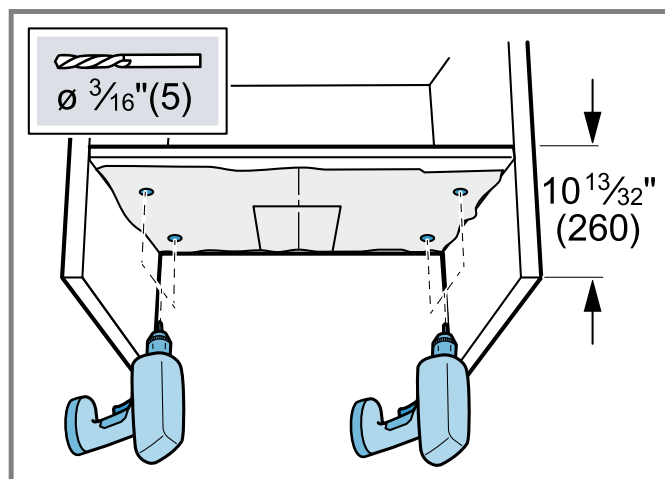
1. La unidad debe ser plana y capaz de soportar el peso de su aparato.
El peso máximo del aparato es de 22.5 lb (10.2 kg).
2. La unidad en la que se monta el aparato debe ser resistente al calor y debe soportar temperaturas de hasta 195° F (90 °C).
3. Asegurarse de que la unidad siga siendo estable tras realizar los recortes.

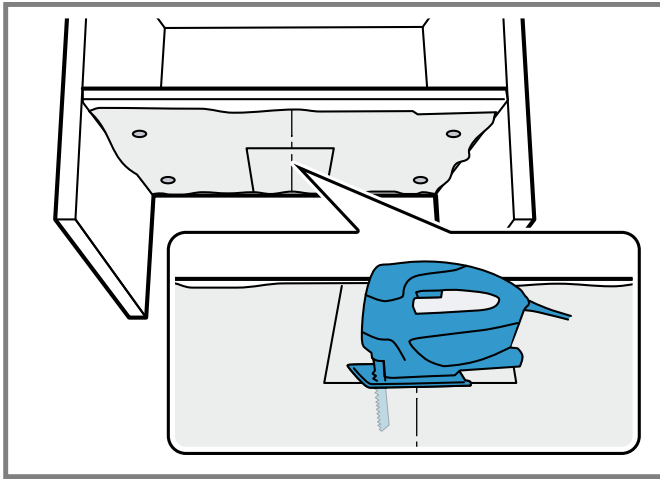
9.2 Preparar las unidades

Requisito: La unidad es adecuada para su montaje.

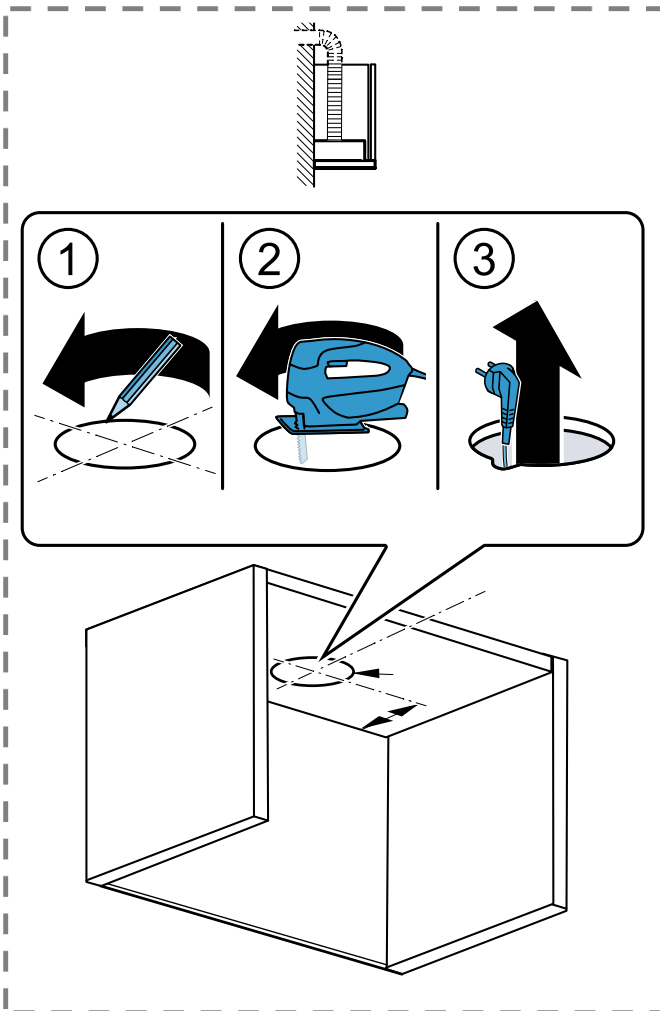
→ "Comprobar la unidad", Página 41

1. Cubrir la placa de cocción para evitar daños.
2. Asegurarse de que el gabinete siga siendo estable tras realizar los recortes.
3. Fijar la plantilla a la parte inferior del suelo del tabique y taladrar los agujeros.

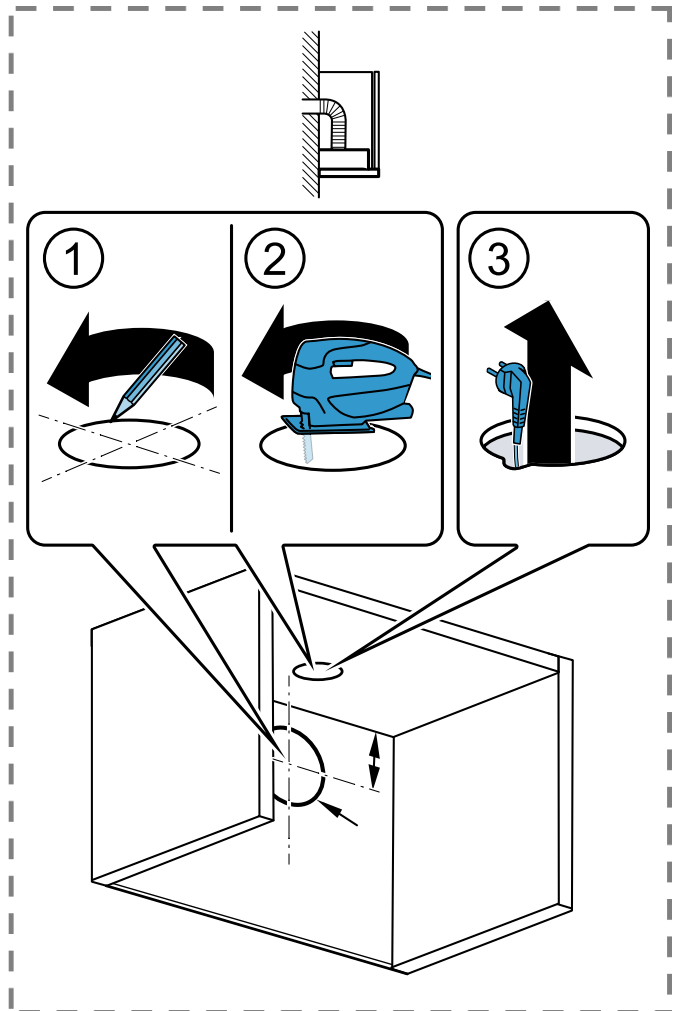




4. Crear el recorte para el tubo de salida de aire.



Apertura de salida de aire por encima de la unidad montada.



Apertura de salida de aire detrás de la unidad montada.

9.3 Montar el aparato

Puede montar el aparato en un gabinete empotrado o utilizando soportes de pared.

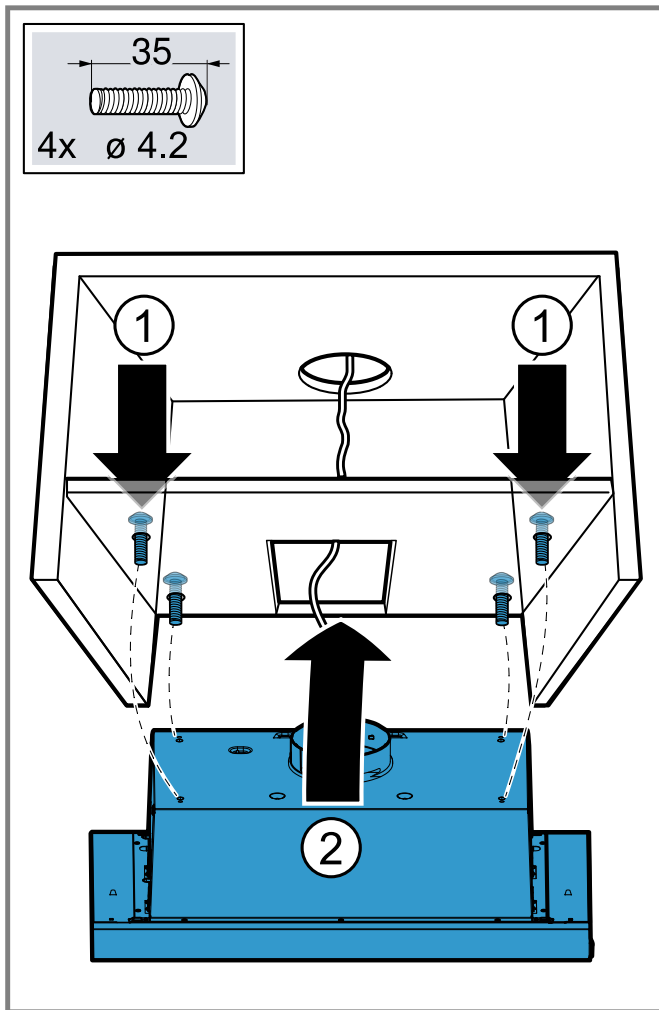
Montar el aparato en la unidad instalada

⚠ ADVERTENCIA

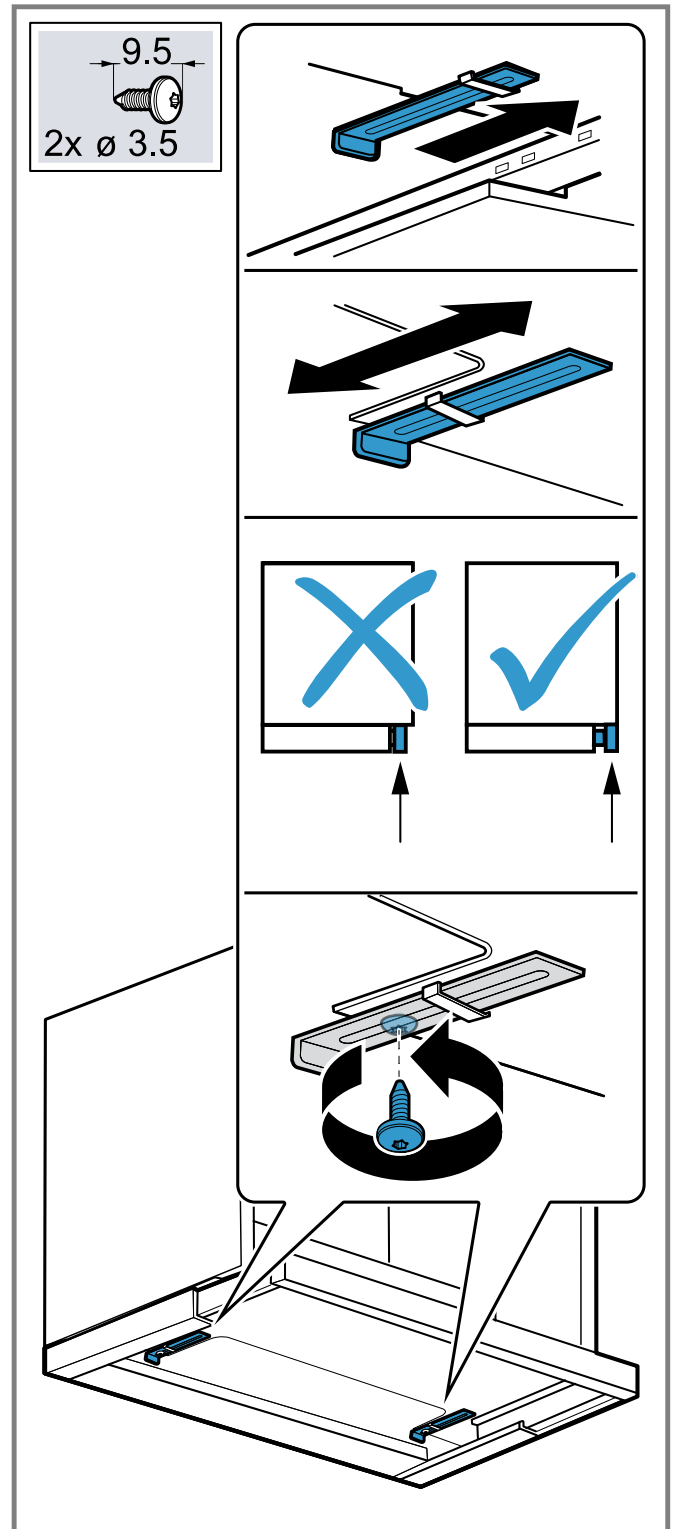
Los componentes dentro del aparato pueden tener bordes filosos. El cable de alimentación puede estar dañado.

- ▶ No retorcer ni pellizcar el cable de alimentación durante la instalación.

1. Atornillar el aparato firmemente a la unidad instalada.



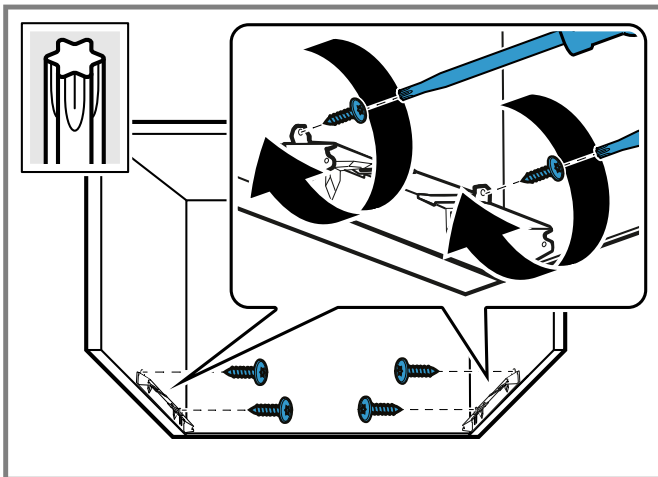
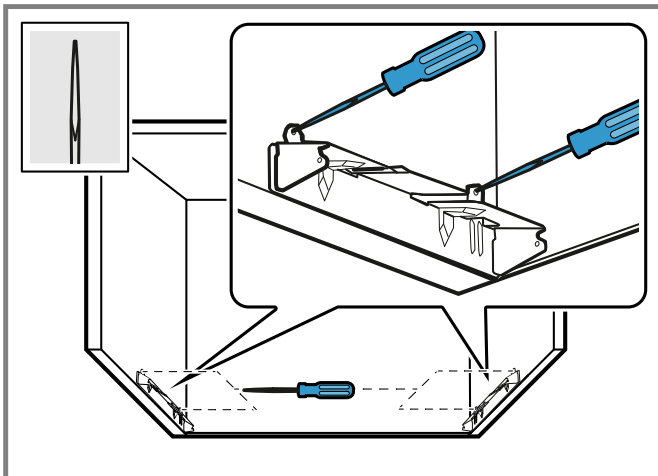
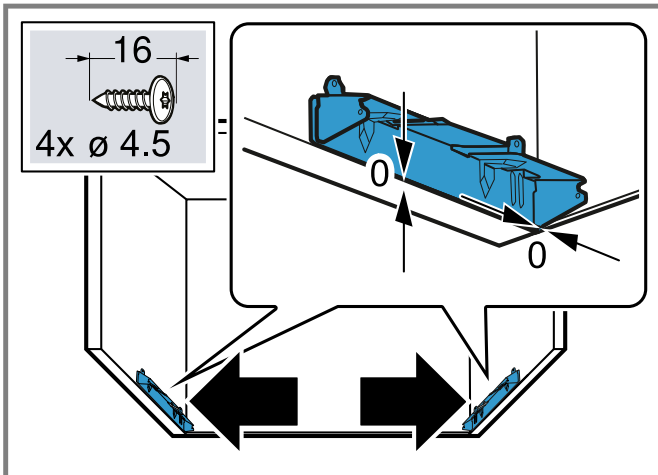
2. Jalar el extractor del filtro hasta que quede nivelado con el borde frontal de la unidad instalada.



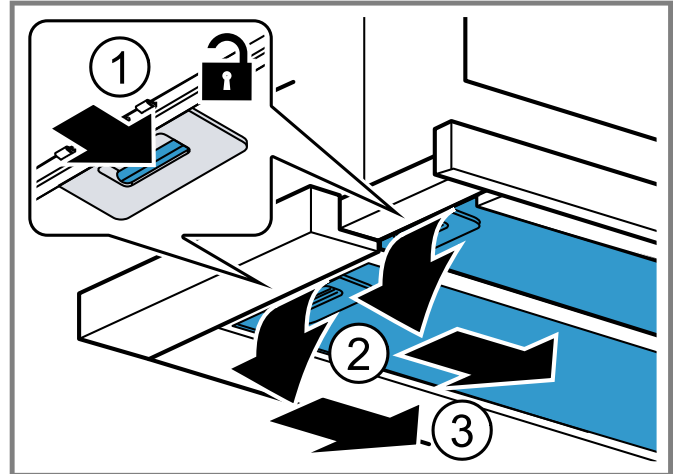
3. Extraer el filtro antigrasa. Empujar el tope hacia adelante hasta que se apoye contra el extractor del filtro. Atornillar firmemente el tope en esta posición.
4. Instalar los filtros antigrasa.
5. Realizar la conexión de los ductos.
6. Realizar la conexión eléctrica.

Montar el aparato con soportes de pared

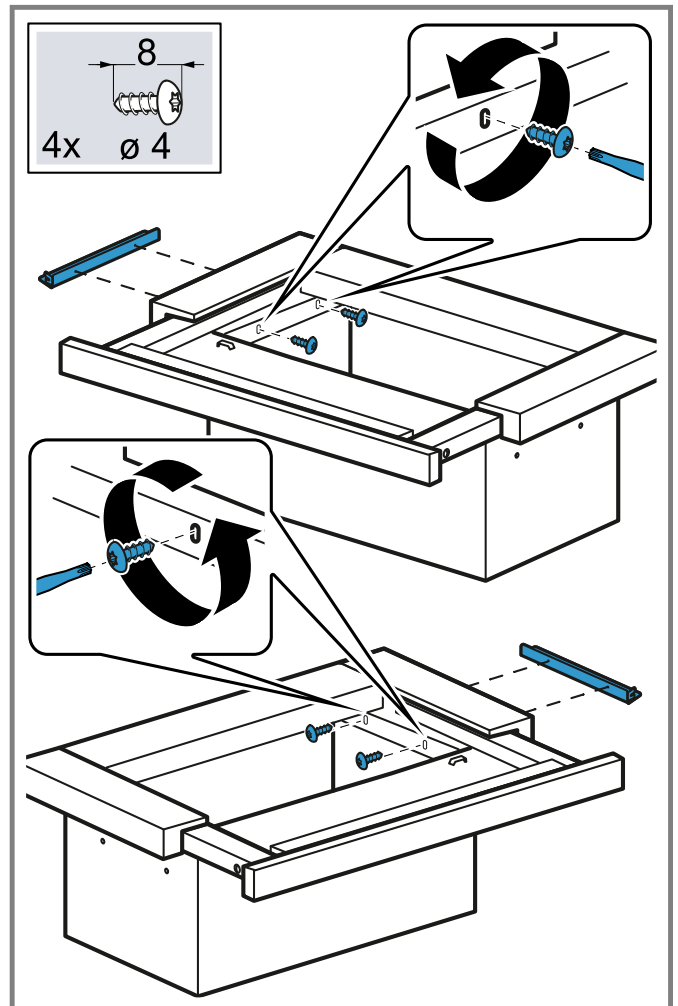
1. Atornillar firmemente las placas de fijación en el gabinete.



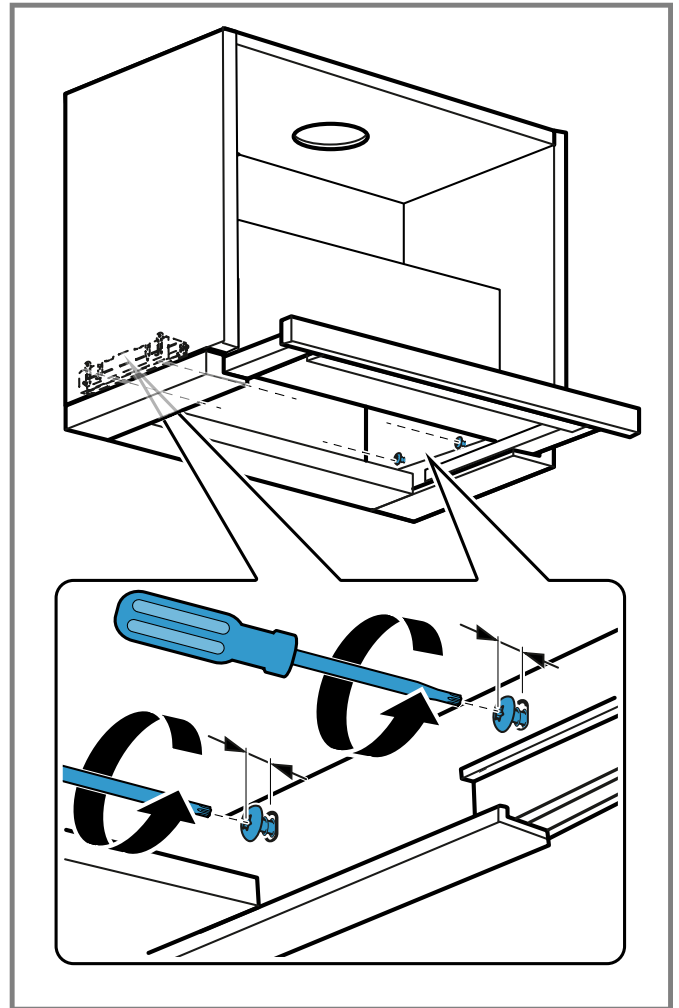
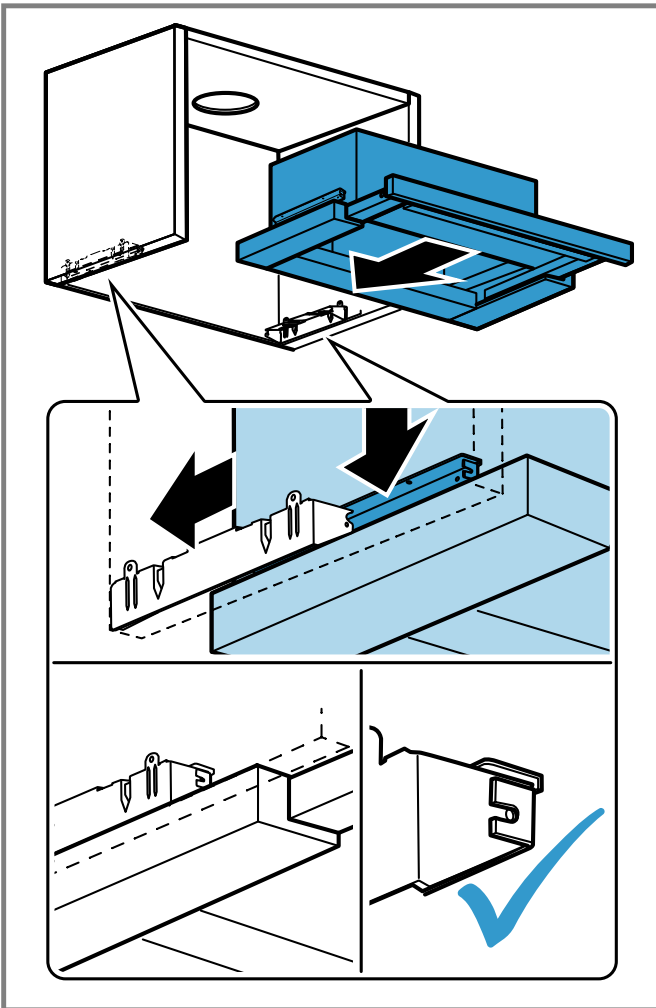
2. Abrir el pestillo y plegar el filtro antigrasa. Simultáneamente, sujetar con la otra mano por debajo el filtro antigrasa. Extraer el filtro antigrasa del soporte.



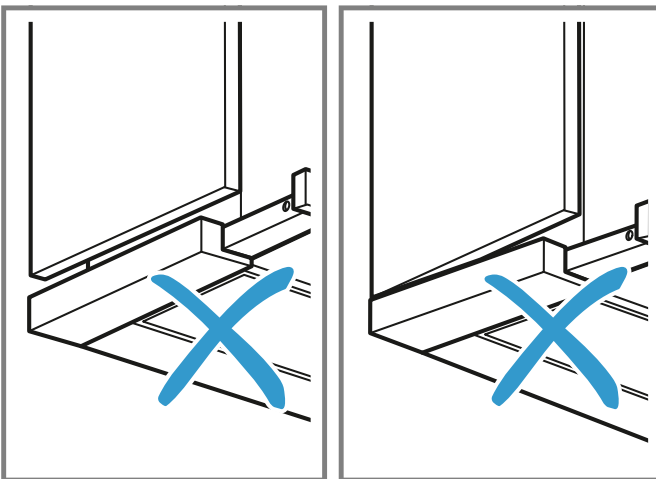
3. Atornillar firmemente las placas de fijación al aparato.

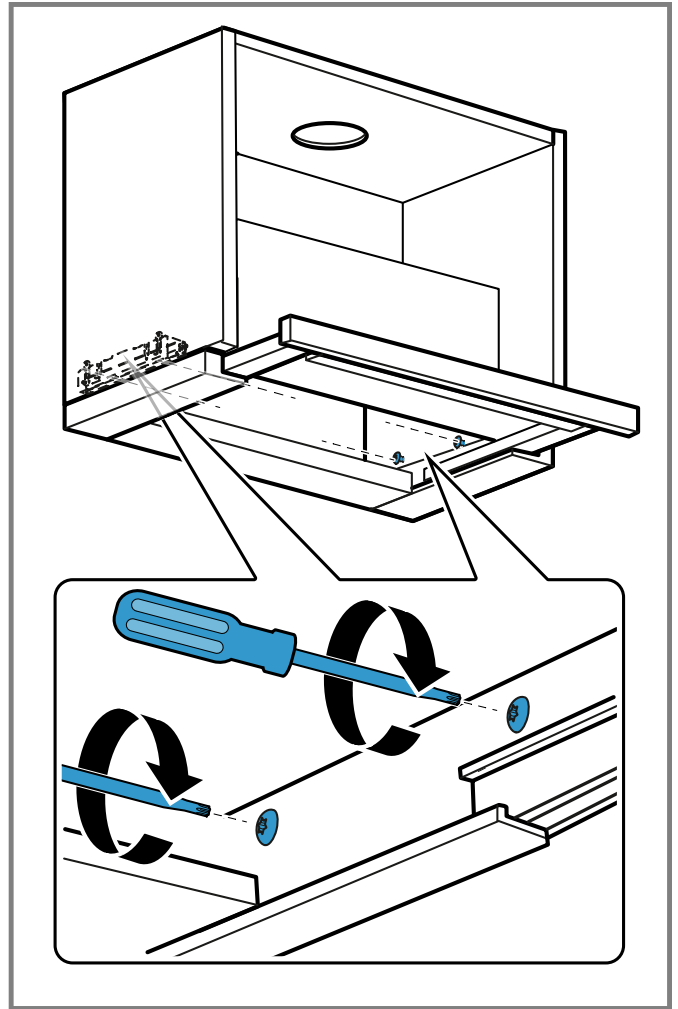
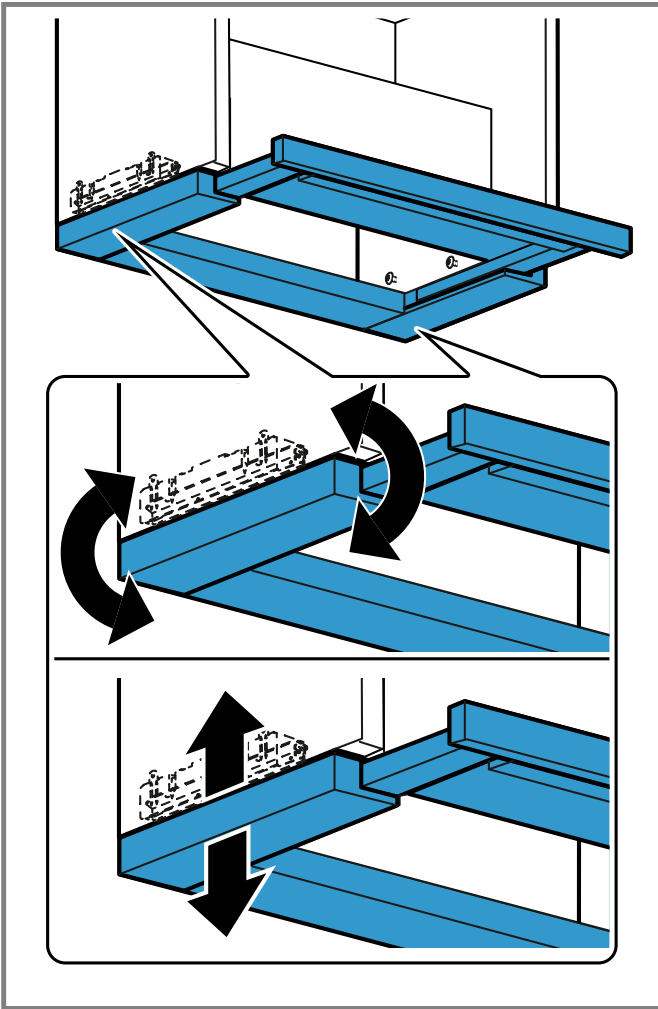


4. Introducir el aparato en el gabinete.

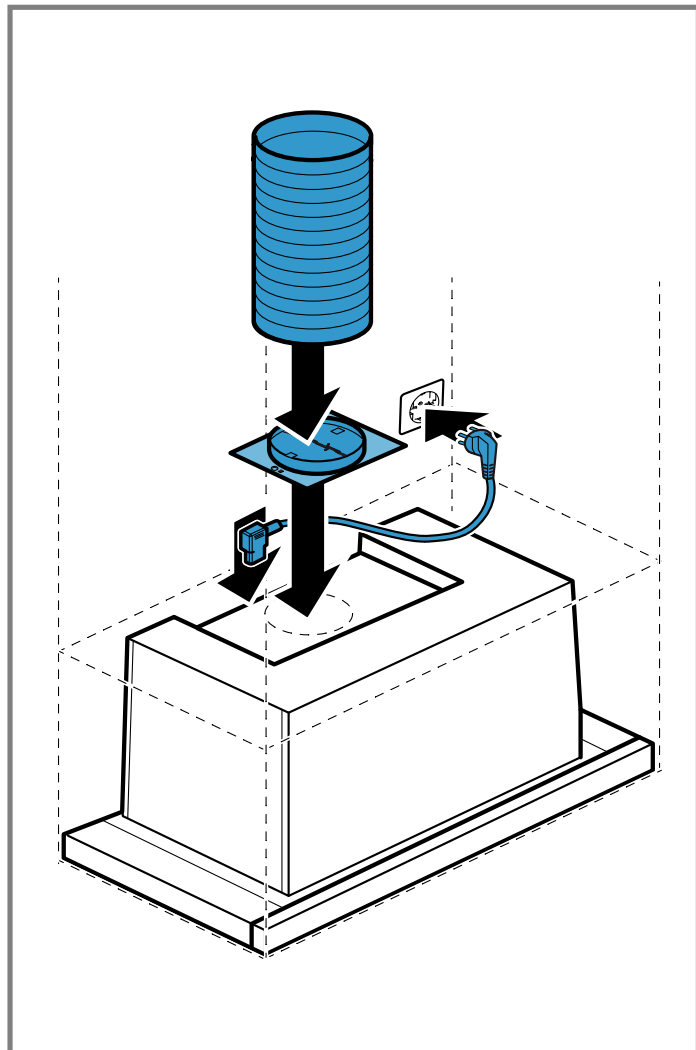
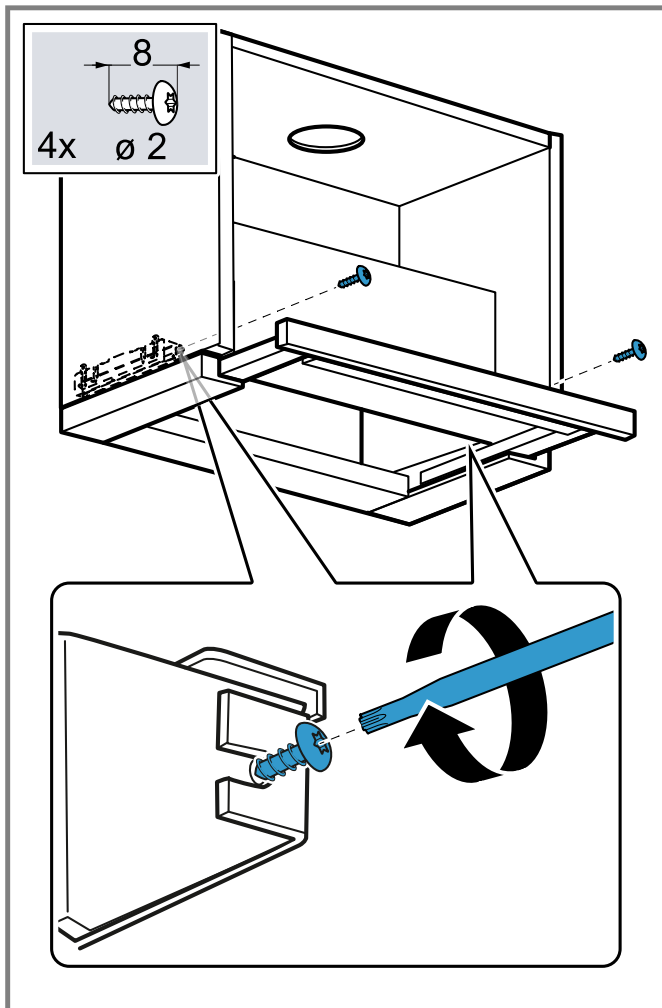


5. Alinear el aparato.





6. Atornillar el aparato en su lugar.



9.4 Comprobar la instalación

1. Comprobar que el cable de alimentación no presente obstrucciones.
2. Comprobar que los filtros estén instalados correctamente y no traqueteen.
3. Hacer funcionar la campana a varias velocidades del ventilador.
 - ✓ El aire debe entrar claramente en la campana si los conductos están despejados y funcionan correctamente.
4. Comprobar que la iluminación funcione.
5. En caso de algún problema, consultar la sección de solución de problemas.

9.5 Conectar el aparato

- En caso de funcionamiento con ductos, debe montarse una válvula antirretorno. Si no se incluye una válvula antirretorno con el aparato, puede encargarse en un comercio especializado.
- Si el aire de salida se transporta por medio de la pared exterior, se debe utilizar un pasamuros telescópico.

Conectar los ductos

Requisito: Si se utiliza un ducto de aluminio, pulir el área de conexión antes de conectar los ductos.

1. Ducto de ventilación con un diámetro de 6" (150 mm) (tamaño recomendado):
 - Conectar el ducto de ventilación de escape directamente al conector del ducto de aire y sellar.
2. Ducto de ventilación de escape con un diámetro de 4¾" (120 mm):
 - Conectar el conector reductor directamente al conector del ducto de ventilación.
 - Conectar el ducto de ventilación de escape al conector reductor.
 - Sellar adecuadamente ambas juntas.

Conectar el suministro eléctrico

- ▶ Enchufe el cable de la red eléctrica a la toma de corriente.

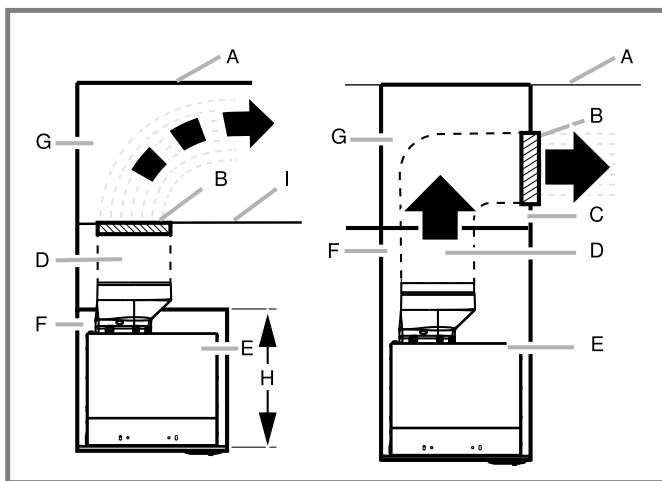
9.6 Kit de recirculación opcional

Cuando se use en modo de recirculación, usar solo el kit de conversión modelo HVREC5UC para reducir el riesgo de incendio y de descarga eléctrica.

Si no es posible ventilar los humos y vapores de cocción al exterior, se puede usar la campana extractora en la modalidad (de recirculación) sin ventilación con el kit de recirculación. Los humos y vapores se reciclan a través de la rejilla circular.

Instalación a través de la parte de abajo de la estructura/gabinete

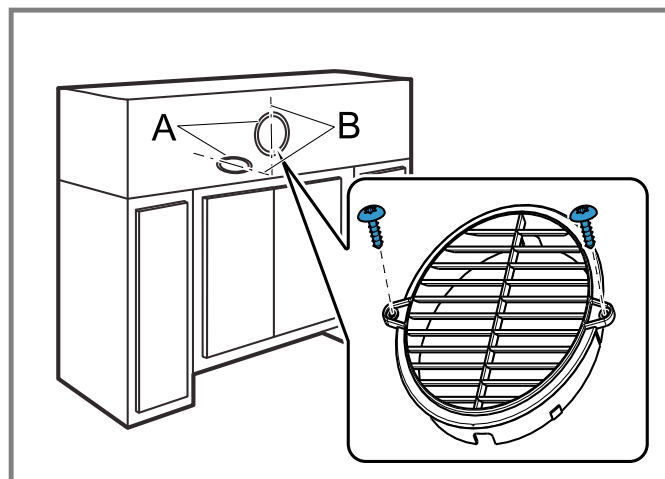
1. En función de la instalación de recirculación, tener en cuenta el siguiente diagrama:



A	Techo
B	Rejilla de recirculación
C	Parte de abajo de la estructura
D	Ventilación de 6" (15.2 cm)
E	Campana extractora de cocina
F	Gabinete
G	Pared
H	Altura mínima del gabinete de 14" (35.5 cm)
I	Parte superior de los gabinetes


2. Medir y marcar la línea central del gabinete en la parte inferior de la estructura encima.
3. Medir desde la parte inferior del gabinete hasta la línea central de dónde la ventilación saldrá a través de la parte inferior de la estructura. Marcar la ubicación y usar una sierra de sable o de punta para hacer un orificio de 5¾" (14.6 cm) para la rejilla de recirculación.

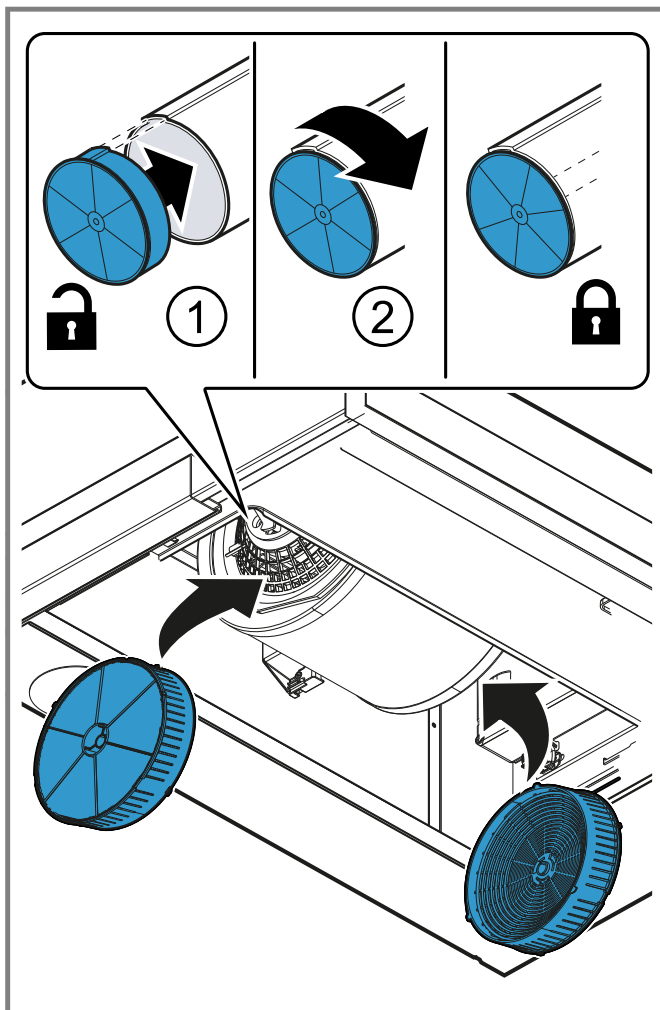
4. Instalar la rejilla de recirculación con los 2 tornillos suministrados.




Reemplazar opcionalmente el filtro de carbón

Nota

- El filtro antiolores no se puede limpiar. Se debe sustituir cada 4-6 meses (en función del uso de la campana extractora).
 - No enjuagar ni poner el filtro antiolores en un lavavajillas.
1. Extraer los filtros antiolores viejos.
 2. Colocar el nuevo filtro en la posición correcta.
- ✓ La línea del filtro está alineada con el símbolo  del aparato.



3. Girar el filtro hacia abajo hasta que encaje en su sitio.
- ✓ La línea del filtro está alineada con el símbolo  del aparato.

10 Retirar el aparato para mantenimiento o reemplazo

1. Cubrir la placa para evitar daños.
2. Desconectar la conexión eléctrica.
3. Retirar la conexión de la tubería.
4. Retirar los filtros antigrasa.
5. Soltar los conductos del aire de salida.
6. Aflojar las conexiones atornilladas con la unidad.
7. Extraer el aparato.

11 Servicio de atención al cliente

En cada reparación cubierta por la garantía, nos aseguramos de que su aparato sea reparado con repuestos originales por un proveedor de servicio capacitado y autorizado. Solo utilizamos repuestos originales para todos los tipos de reparaciones. Las informaciones detalladas sobre el periodo de validez de la garantía y las condiciones de garantía las podrá encontrar en nuestras condiciones de garantía, con su distribuido o en nuestra página web.

Cuando se ponga en contacto con el servicio de atención al cliente, no olvide indicar el número de modelo (E-Nr.) y el número de fabricación (FD) de su aparato.

Las fuentes de luz se encuentran disponibles como repuesto y su sustitución solo la puede llevar a cabo personal cualificado.

USA:

1-800-944-2904

www.bosch-home.com/us/owner-support/get-support

www.bosch-home.com/us/shop

CA:

1-800-944-2904

www.bosch-home.ca/en/service/get-support

www.bosch-home.ca/en/service/cleaners-and-accessories

11.1 Número de modelo (E-Nr.) y número de fabricación (FD)

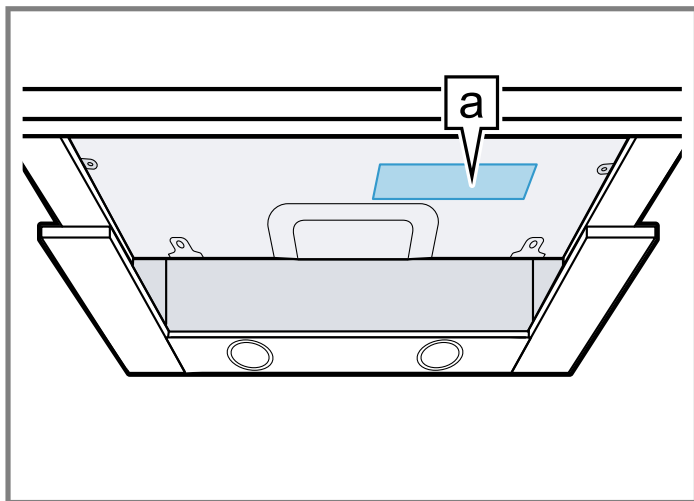
El número de modelo (E-Nr.) y el número de fabricación (FD) se encuentran en la placa de características del aparato.

Para volver a encontrar rápidamente los datos del aparato o el número de teléfono del servicio de atención al cliente, puede anotar dichos datos.

11.2 Ubicación de la placa de características del aparato

Puede encontrar la placa de características del aparato:

- Dentro del aparato (extraer los filtros antigrasa para acceder).



a Placa de características



A series of horizontal lines for writing, consisting of a top line followed by 24 evenly spaced lines below it.



A series of horizontal lines for writing, starting from the top right of the pencil icon and extending across the width of the page. The lines are evenly spaced and cover most of the page area.



Register your appliance to enjoy customized benefits.

Thank you for being a Bosch customer!
Simply create a MyBosch account, then register your appliance.
You'll find a variety of customized information in MyBosch such as:

- **Discounts for filters, cleaners, accessories & parts**
- **Easy access to manuals & appliance specifications**
- **Easy access to part lists**
- **Customized offer for the Bosch Appliance Service Plan (sent by mail after appliance registration)**

Register here:
www.bosch-home.com/us/owner-support/mybosch

BOSCH
HOME APPLIANCES
SERVICE

Looking for help? You'll find it here.

No matter what, no matter when: Bosch is here to support you.
We're here to assist with usage instructions, cleaning tips,
accessories & parts, troubleshooting, and repairs.
Find online resources such as FAQs, how-to-videos, manuals,
warranties and authorized Bosch servicers at:
www.bosch-home.com/us/owner-support/get-support

Contact us:
Please have your Model Number (E-Nr) ready when contacting us.
1-800-944-2904
www.bosch-home.com/us/owner-support/contact-us

BSH Home Appliances Corporation
1901 Main Street, Suite 600
Irvine, CA 92614
USA
www.bosch-home.com
1-800-944-2904
© 2024 BSH Home Appliances Corporation



9001967535 (050818)
en-us, fr-ca, es-mx