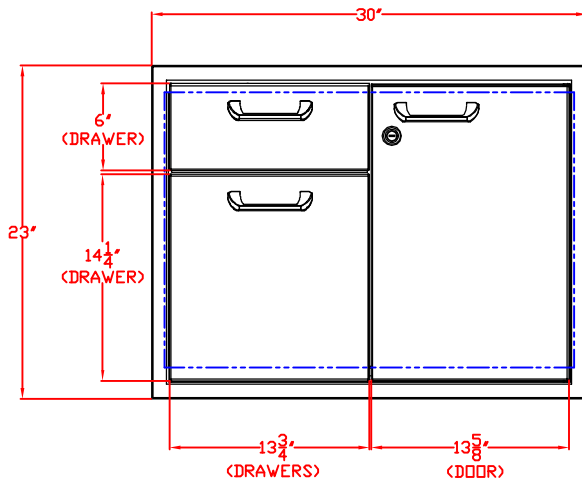
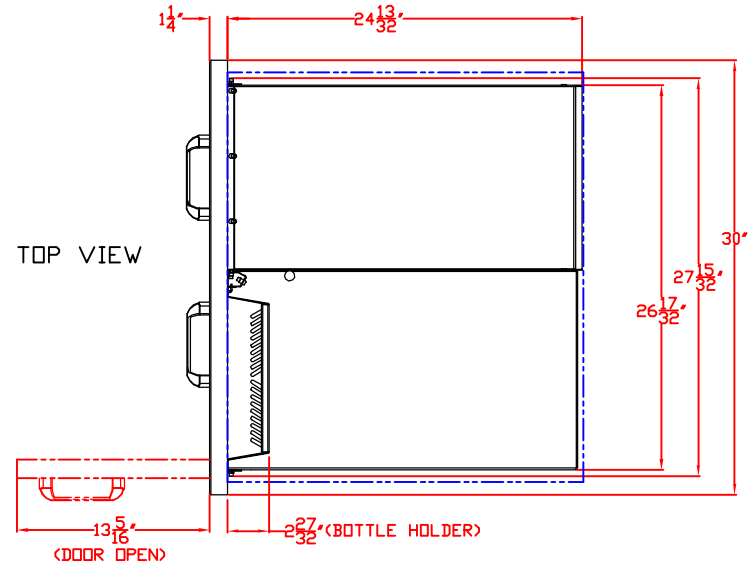
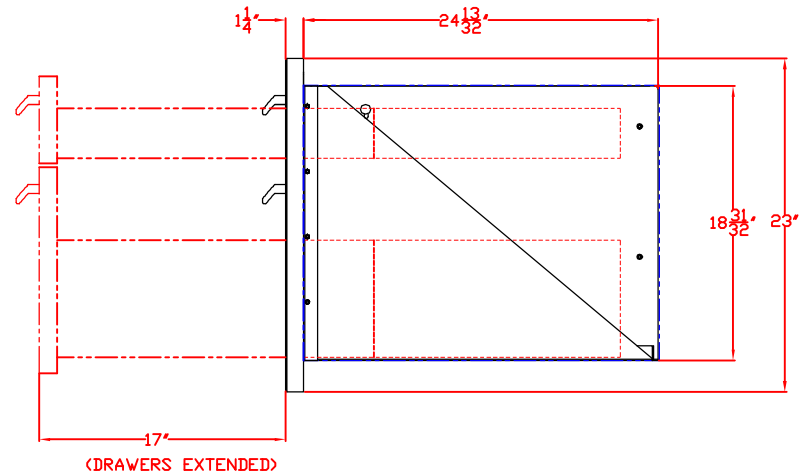


LYNX 30 IN. STORAGE ACCESSORY  
MODEL LSA30  
W/ DIMENSIONS

ISLAND CUTOUT  
IN BLUE



FRONT VIEW



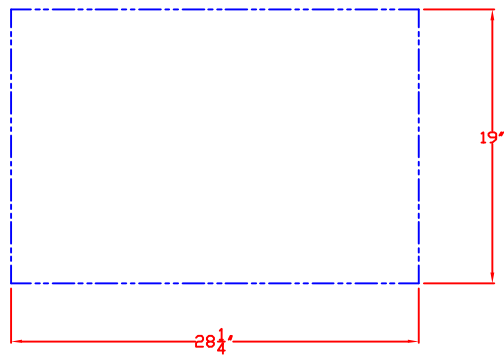
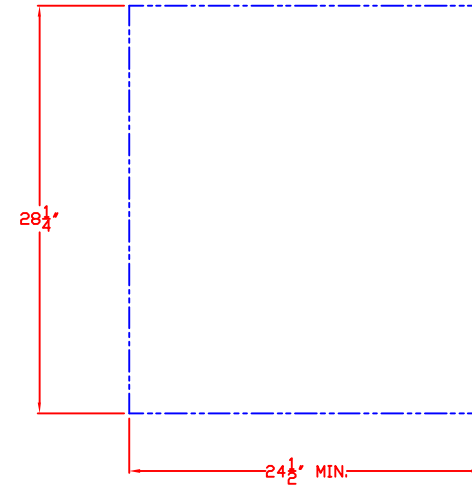
SIDE VIEW

10/26/11

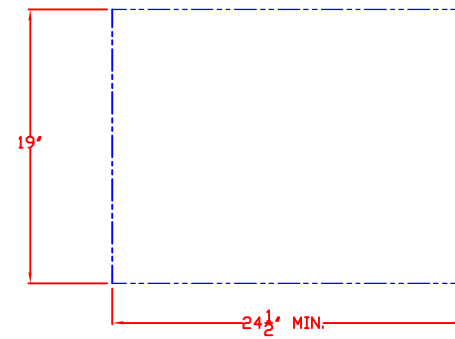
LYNX 30 IN. STORAGE ACCESSORY  
MODEL LSA30  
ISLAND CUTOUT

ISLAND CUTOUT  
IN BLUE

TOP VIEW



FRONT VIEW



SIDE VIEW