

Frigidaire Professional



Top Freezer Refrigerator

20.0 Cu. Ft. Top Freezer Refrigerator

FPHT2097VF

Available Colors : Stainless Steel

Version : 07/21

Refrigerator

Air Filter	Yes
Crisper Color	Clear
Door Bin Color	Clear
Humidity Controls	Automatic
Interior Lighting	LED
Shelf Material	Glass
Number of Adjustable Gallon Door Bins	2
Number of Other Door Bins	1
Total Number of Door Bins	3
Number of Adjustable Shelves	2
Number of Fixed Shelves	1
Number of Crispers	2

Freezer

Automatic Defrost	Yes
Baskets / Bins Color	Clear
Door Bin Color	Clear
Interior Lighting	LED
Shelf Material	Glass
Number of Fixed Door Bins	2
Number of Adjustable Shelves	1

Ice Maker

Ice Maker	No
Ice Maker Ready	Yes

Controls

Air Filter Indicator	Yes
Control Location	Top Center of Fresh Food
Digital Display	No
Door Ajar Alarm	Yes
Sabbath Mode	Yes

Exterior

Door Finish	Smooth
-------------	--------

Door Swing	Right Hinge
Exterior Finish	Smudge-Proof® Stainless Steel
Rear Rollers	Yes

Dimensions and Volume

Height With Hinge	66 3/8"
Height Without Hinge	65 7/8"
Width	30"
Width of Cabinet	30"
Depth of Cabinet	28 1/4"
Depth With Door	32"
Depth With Door 90° Open	58 5/8"
Depth With Door and Handle	34 3/4"
Freezer Capacity	5.4 Cu. Ft.
Fresh Food Capacity	14.6 Cu. Ft.
Total Capacity	20 Cu. Ft.

Electrical Specifications

Amps @ 120 Volts	2 Amps
Minimum Circuit Required	15 Amps

General Specifications

Annual Energy	385 kWh
Leveling Legs	Yes
Product Weight	0.95 lbs
Prop 65 Label	Yes
Refrigerant Type	R-600A
Warranty - Labor	1 Year
Warranty - Parts	1 Year

Certifications and Approvals

ADA Compliant	Yes
---------------	-----

Performance Certifications and Approvals

ENERGY STAR Certified	Yes
-----------------------	-----

Note: For planning purposes only. Always consult local and national electric, gas and plumbing codes.

Refer to Product Installation Guide for detailed installation instructions on the web at frigidaire.com / frigidaire.ca

Specifications subject to change. Accessories information available on the web at frigidaire.com / frigidaire.ca

USA • 10200 David Taylor Drive • Charlotte, NC 28262 • 1-800-FRIGIDAIRE • frigidaire.com

CANADA • 5855 Terry Fox Way • Mississauga, ON L5V 3E4 • 1-800-265-8352 • frigidaire.ca

Frigidaire Professional

20.0 Cu. Ft. Top Freezer Refrigerator

FPHT2097VF

Version : 07/21

Safety Certifications and Approvals

UL Listed

Yes

Note: For planning purposes only. Always consult local and national electric, gas and plumbing codes.

Refer to Product Installation Guide for detailed installation instructions on the web at frigidaire.com / frigidaire.ca

Specifications subject to change. Accessories information available on the web at frigidaire.com / frigidaire.ca

USA • 10200 David Taylor Drive • Charlotte, NC 28262 • 1-800-FRIGIDAIRE • frigidaire.com

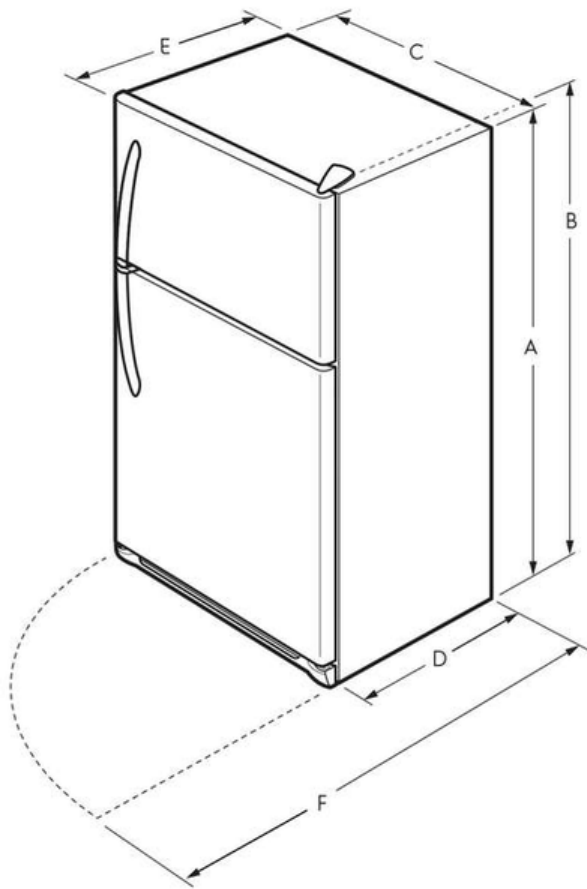
CANADA • 5855 Terry Fox Way • Mississauga, ON L5V 3E4 • 1-800-265-8352 • frigidaire.ca

Frigidaire Professional

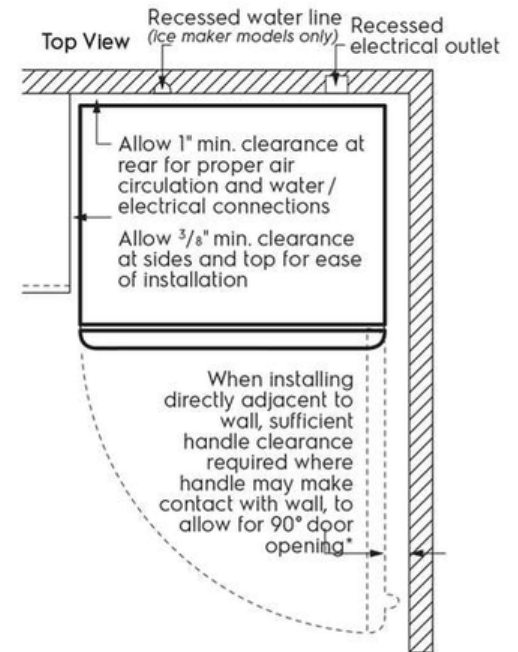
20.0 Cu. Ft. Top Freezer Refrigerator

FPHT2097VF

Version : 07/21



A	65 ⁷ / ₈ "
B	66 ³ / ₈ "
C	30"
D	28 ¹ / ₄ "
E	32"
F	58 ⁵ / ₈ "



* When installing refrigerator adjacent to wall, cabinet or other appliance that extends beyond front edge of unit, 20" minimum clearance recommended to allow for optimum 140° door swing, providing complete crisper access and removal. (Absolute 3" minimum clearance will ONLY allow for 90° door swing which will provide limited crisper access with restricted removal.)

Note: For planning purposes only. Always consult local and national electric, gas and plumbing codes.

Refer to Product Installation Guide for detailed installation instructions on the web at frigidaire.com / frigidaire.ca

Specifications subject to change. Accessories information available on the web at frigidaire.com / frigidaire.ca

USA • 10200 David Taylor Drive • Charlotte, NC 28262 • 1-800-FRIGIDAIRE • frigidaire.com

CANADA • 5855 Terry Fox Way • Mississauga, ON L5V 3E4 • 1-800-265-8352 • frigidaire.ca