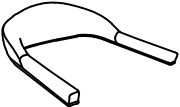
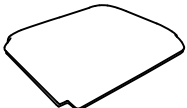
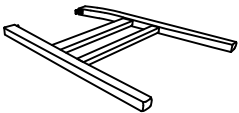






ASSEMBLY INSTRUCTION FOR ACME FURNITURE

MODEL #DN03096

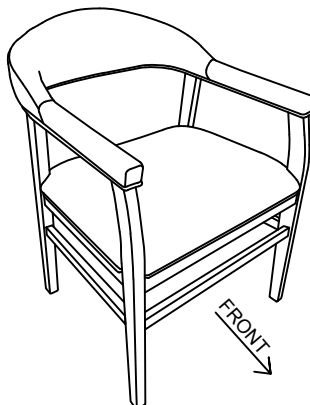
Thank you for purchasing the quality product. Be sure to check all packing material carefully for small parts which may have come loose inside and carton during shipment. Separate, identify and count all parts and metal hardware. Compare with all parts listed to be sure all parts are present. If any part(s) are missing or damaged, please contact your local furniture dealer. For efficient and speedy service, please indicate the model number and code letter of part(s) needed.

*** Do not fully tighten screws until fully assembled ***

COMPONENT PARTS			
DESCRIPTION	PART NAME		QTY (PCS)
①	CHAIR HEAD		1
②	SEAT		1
③	LEG (L/R)		2
④	FRONT SIDE RAIL (LONG)		1
⑤	BACK SIDE RAIL (SHORT)		1
⑥	FRONT STREACHER (LONG)		1
⑦	BACK STREACHER (SHORT)		1

HARDWARE REQUIRED

(A)		JCBC	M6x45mm	8 pcs
(B)		SPRING WASHER	M6	8 pcs
(C)		FLAT WASHER	M6x13mm	8 pcs
(D)		WOOD DOWEL	M8X30	4 pcs
(E)		CSK	M3.5x16mm	4 pcs
(F)		CSK	M4X38mm	4 pcs
(F)		CSK	M4X32mm	8 pcs
(F)		ALLEN KEY	M4X100mm	1 pc
(F)		GUM		1 pc

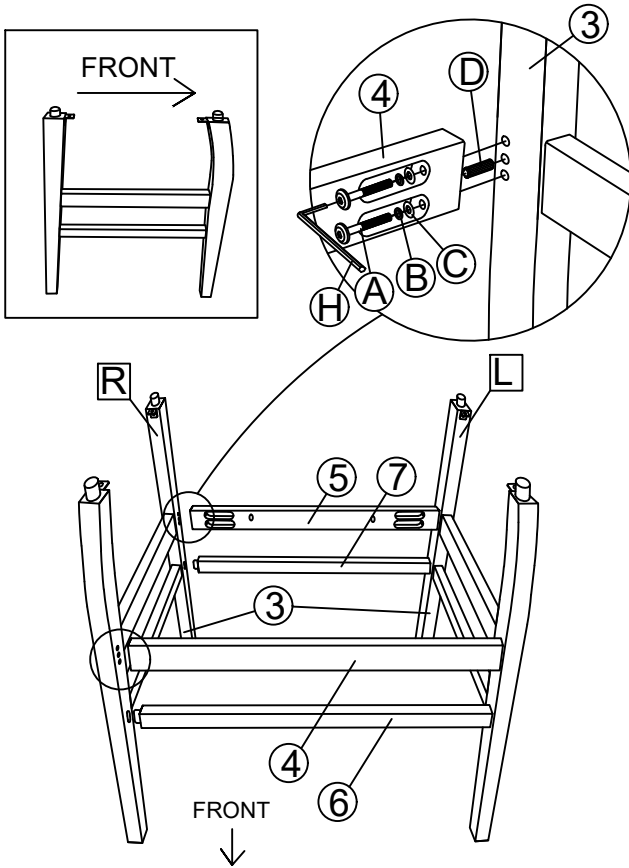


Attention

*** Some number parts listed on the instruction sheet may not be in parts bag as they may already be assembled. Carefully check parts and packing materials prior to ordering replacements.***

How to assemble:

STEP 1



STEP 1

