



## 5 SERIES 48"W. INDUCTION RANGE

Viking 5 Series – VIR

### COMMERCIAL-TYPE COOKING POWER

- MagneQuick™ Induction Power Generators utilize magnetic energy for superior power, responsiveness, and efficiency
- Power management induction system provides a boost of superior power on all elements for faster boil times
- Large 9" induction elements each provide up to 3,700 watts of power
  - Six large 9" 3,700–2,300-watt induction elements
- Simmer setting is perfect for gentle melting or keeping cooked food warm
- LED lights around knobs illuminate to denote function and boost
- Softlit™ LED lights accent the control panel and illuminate knobs
- Heavy-duty BlackChrome™ knobs and square bezels shipped standard
- One of the largest oven cavities in the industry
- **EXCLUSIVE** – patented Vari-Speed Dual Flow™ Convection System has the largest convection fan in the industry; the 8-1/2" fan works bi-directionally for maximum airflow and excellent cooking results
- Concealed 10-pass dual bake element provides precise temperature control
- Large 10-pass broiler with heat reflector
- Rapid Ready™ Preheat provides one of the fastest preheat times, meaning less wait time for the oven to preheat
- Oven has six porcelain-coated rack positions and comes standard with three oven racks
- **EXCLUSIVE** – Gentle Close™ Door allows door to close slowly
- Three strategically located oven lights provide maximum visibility; one light in left oven
- High-performance cooking modes include bake, convection bake, TruConvec convection cooking, convection roast, broil, convection broil, convection dehydrate, and convection defrost; left oven includes proofing mode



### EASY OPERATION AND CLEANUP

- **NEW** surface graphics on strong, wear-resistant glass ceramic surface for excellent cleanability
- Self-cleaning porcelain oven
- Concealed 10-pass dual bake element makes for easy cleanup of the oven cavity

### MODEL NUMBER

- VIR54836B – 48"W. Induction Range; six elements

### ACCESSORIES

- BG8548SS – 8"H. backguard for 48" range
- HS24548SS – high shelf for 48" range
- P24CSTSS – countertop side trim (2 pieces)
- P48CRTSS – countertop rear trim for 48" range
- P48CBF4SS – curb base and custom curb base front for 48" range

### COLOR FINISHES

- Stainless Steel (SS)



- Volume 1 Color Finishes include Antique Bronze (AN), Blush (BH), Cast Black (CS), Damascus Gray (DG), Eucalyptus (EU), Ivy (IV), Martini (MA), November Sky (NS), Slate Blue (SB), Spiced Cider (SC), Splash (SP)



- Volume 2 Color Finishes include Daffodil (DA), Golden Hour (GH), Nantucket (NA), Onyx (ON), Pure White (PW), Squall (SQ), Valentine (VA)



### BRUSHED BRASS ACCENT

- Available on Stainless Steel Finish (standard order) and Volume 1/Volume 2 Color Finishes (special order)
- Brass Accent includes handle endcaps, knob bezels, and logo
- Models ordered in Brass Accent will ship with stainless steel knobs and round knob bezels

### WARRANTY

- 2-year full – complete product
- 90-day full – cosmetic parts such as glass, painted items and decorative items
- 5-year limited – induction element components

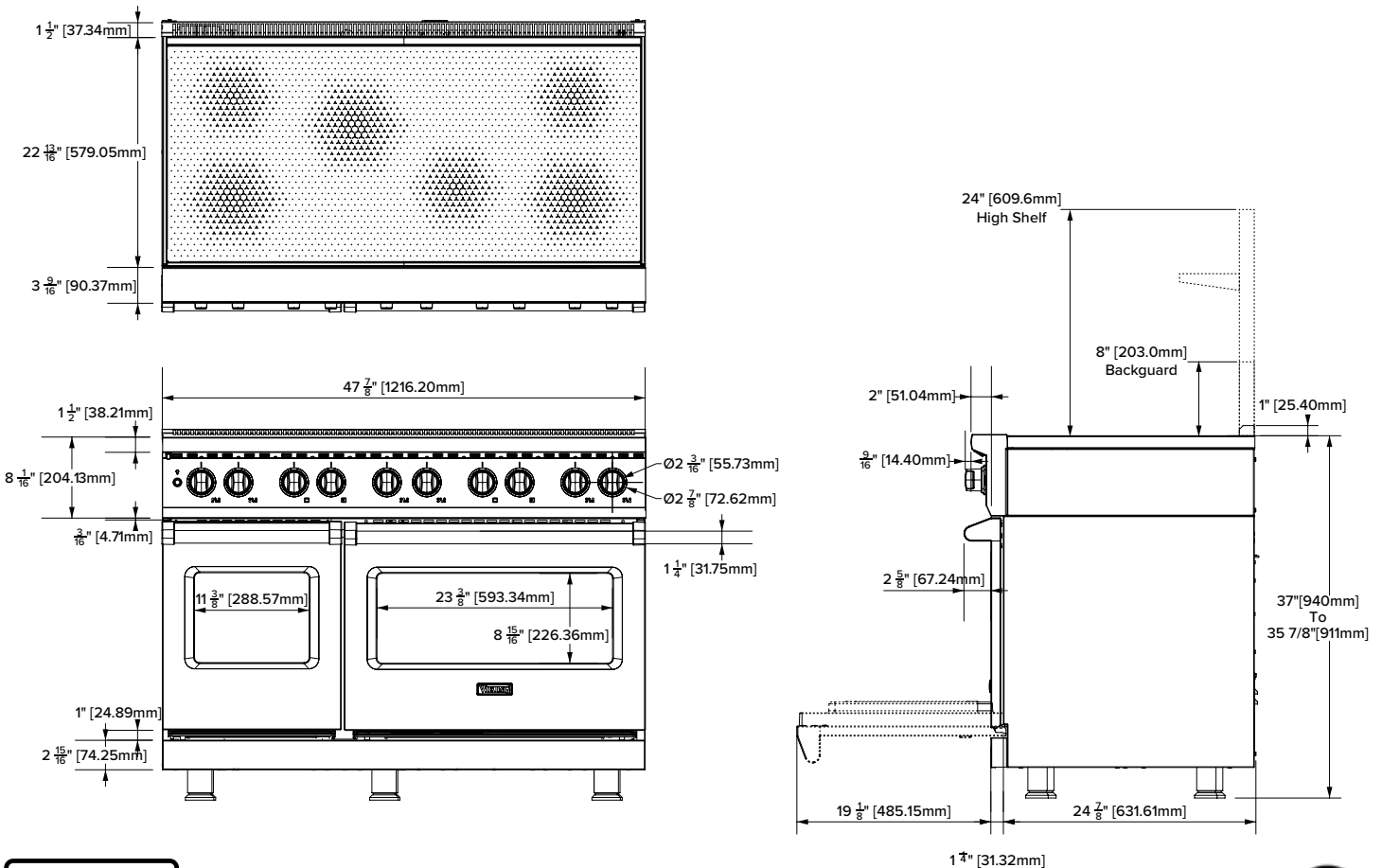


# 5 SERIES 48"W. INDUCTION RANGE

Viking 5 Series – VIR

48"W. INDUCTION RANGE			
<b>DESCRIPTION</b>	<b>VIR5483</b>		
<b>Overall Width</b>	47-7/8" (121.6 cm)		
<b>Overall Height from Bottom</b>	Base Height To top of glass frame – minimum 35-7/8" (91.1 cm) to maximum 37" (94 cm); legs adjust 1-1/8" (2.9 cm) Additions to Base Height To top of island trim – add 1" (2.5 cm); to top of backguard – add 8" (20.3 cm) To top of high shelf – add 23-1/2" (59.7 cm)		
<b>Electrical Requirements</b>	240-208 VAC 60 Hz electrical connection box on product, connect with locally supplied 3-wire, fl exible cord or "pigtail" rated 50 amp. 125-250 VAC minimum. Cord must be agency approved for use with household electric ranges		
<b>Maximum Amp Usage</b>	240 VAC – 73 amp 17.5 kW, 50/60 Hz 208 VAC – 69.4 amp 14.4 kW 50/60 Hz		
<b>Surface Element Rating (watts)</b>	(6) 9" MagneQuick Induction Elements 2300W/3700W		
<b>Circuit Breaker</b>	50 amp dedicated circuit		
<b>Oven Interior Dimensions</b>	<table border="0" style="width: 100%;"> <tr> <td style="width: 50%; vertical-align: top;">               Left Oven – Bake/Broil/Proof                Overall Width – 13-3/4" (34.9 cm)                Height – 16-1/2" (41.9 cm)                Depth – 19-1/2" (49.5 cm);                Overall Size – 2.6 cu. ft.                AHAM Standard* – 2.2 cu. ft.                2 racks, 6 rack positions             </td> <td style="width: 50%; vertical-align: top;">               Right Oven – Convection Bake/Broil                Overall Width – 25-5/16" (64.4 cm)                Height – 16-1/2" (41.9 cm)                Depth – 19-1.2" (49.5 cm);                Overall Size – 4.7 cu. ft.                AHAM Standard* – 4.1 cu. ft.                3 racks, 6 rack positions             </td> </tr> </table>	Left Oven – Bake/Broil/Proof Overall Width – 13-3/4" (34.9 cm) Height – 16-1/2" (41.9 cm) Depth – 19-1/2" (49.5 cm); Overall Size – 2.6 cu. ft. AHAM Standard* – 2.2 cu. ft. 2 racks, 6 rack positions	Right Oven – Convection Bake/Broil Overall Width – 25-5/16" (64.4 cm) Height – 16-1/2" (41.9 cm) Depth – 19-1.2" (49.5 cm); Overall Size – 4.7 cu. ft. AHAM Standard* – 4.1 cu. ft. 3 racks, 6 rack positions
Left Oven – Bake/Broil/Proof Overall Width – 13-3/4" (34.9 cm) Height – 16-1/2" (41.9 cm) Depth – 19-1/2" (49.5 cm); Overall Size – 2.6 cu. ft. AHAM Standard* – 2.2 cu. ft. 2 racks, 6 rack positions	Right Oven – Convection Bake/Broil Overall Width – 25-5/16" (64.4 cm) Height – 16-1/2" (41.9 cm) Depth – 19-1.2" (49.5 cm); Overall Size – 4.7 cu. ft. AHAM Standard* – 4.1 cu. ft. 3 racks, 6 rack positions		
<b>Approximate Shipping Weight</b>	692 lbs. (288.5 kg)		

Please do not prepare installation from brochure data only. See installation instructions for important clearance/installation information.  
 \*\*The AHAM Standard for measuring oven capacity subtracts the door plug and convection baffle dimension from the total oven volume.  
 208V ratings – Time required for some functions may be extended due to less wattage.



VIKING RANGE, LLC 111 FRONT STREET GREENWOOD, MISSISSIPPI 38930 USA

For detailed product information, model numbers, or to request a quote call 1-888-845-4641 or visit [vikingrange.com](http://vikingrange.com)  
 © 2025 Viking Range, LLC All rights reserved. Specifications subject to change without notice.

