


ASSEMBLY INSTRUCTION

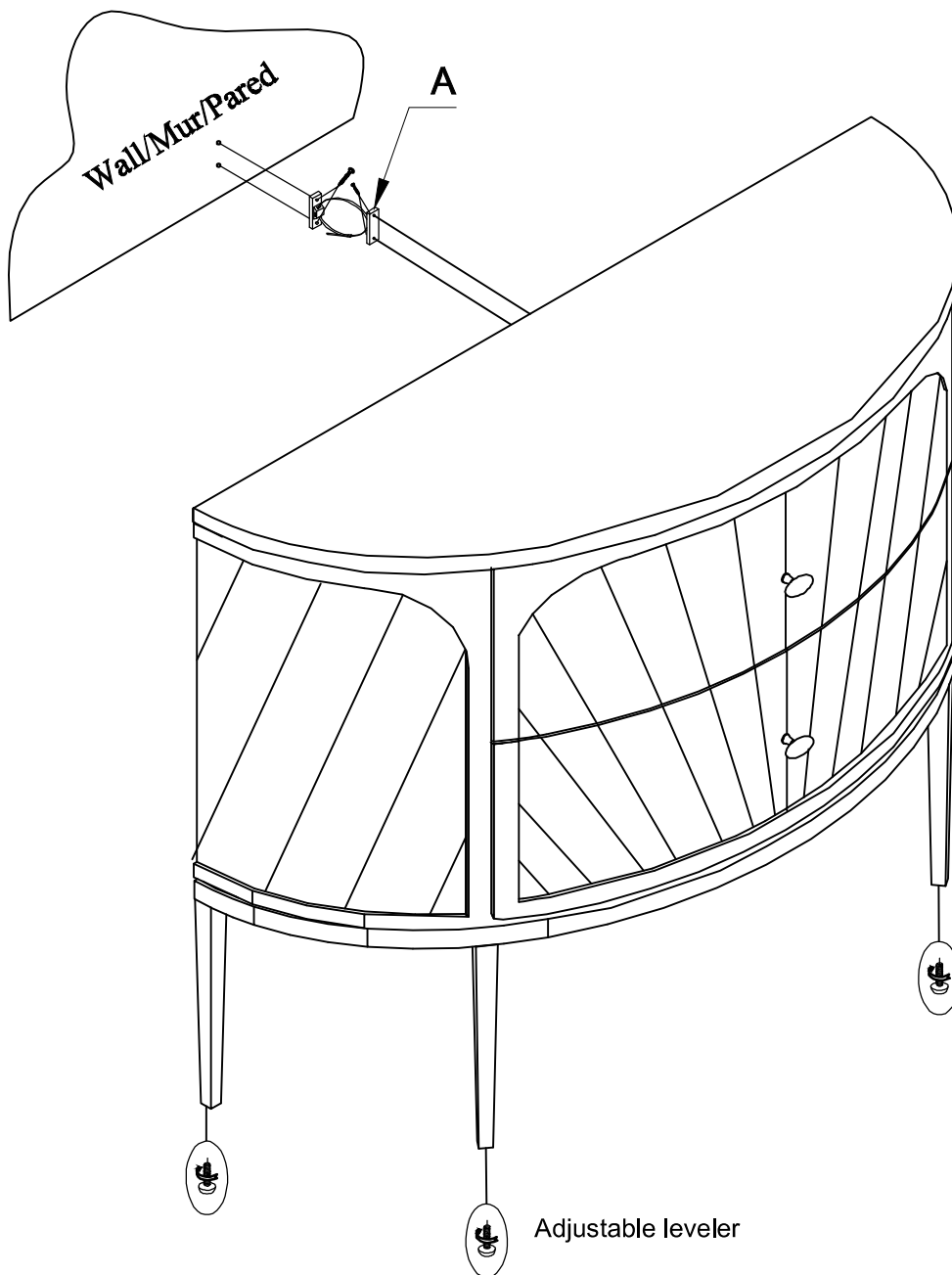
Item: 6850-90215-80 Two Drawer Nightstand

Thank you for purchasing this quality product. Be sure to unpack carefully looking for small parts which may have come loose during shipment.

Read all instruction and study the drawing carefully before starting the assembly process.

HARDWARE PACK

NO.	DRAWING	DESCRIPTION	SIZE	QTY
A		Anti tip hardware pack		1set



Adjustable leveler