

Induction Range, 36", 5 Zones with SmartZone, Self-cleaning

Series 9 | Professional

Stainless Steel with Black Glass

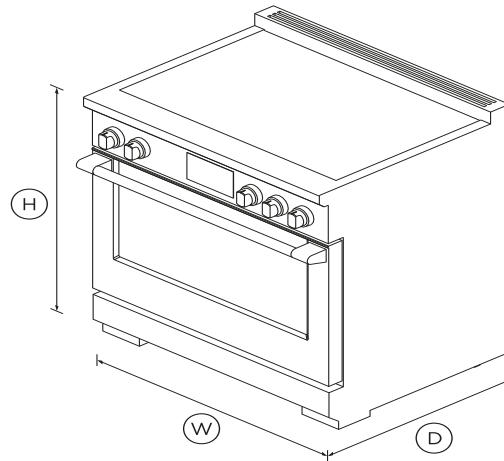


With intuitive touchscreen, induction cooktop and a convection oven with 15 functions, cooking on this refined range is a joy.

- Guided cooking using your touchscreen makes it simple to cook by food, function or recipe.
- Five induction cooking zones, which can be paired to form two large SmartZones
- 4.8 cu ft total oven capacity
- Beautiful LED halo-illuminated dials provide information at a glance

DIMENSIONS

Height	35 ³ / ₄ - 36 ³ / ₄ "
Width	35 ⁷ / ₈ "
Depth	29 ¹ / ₈ "



FEATURES & BENEFITS

Cook with confidence

Our touchscreen interface provides an intuitive guided cooking experience that helps deliver perfect results, whether you've been cooking all your life or just starting out. Cook with a favorite method, a hero ingredient, or a go-to cooking function or recipe. The screen tilts for improved ergonomics and optimal visibility while cooking.

SPECIFICATIONS

Accessories

Square handle option	AH-R36
----------------------	--------

Cleaning

Pyrolytic self-clean	•
----------------------	---

Controls

High resolution display	•
Metal illuminated dials	•
Sabbath mode	•

Main oven features

Bake	•
Broil pan	•
Clean	•
Convection Bake	•
Convection Broil	•
Main oven- Self cleaning	•
Main oven- True convection	•
Number of main oven functions	15

Oven features

Electronic oven control	•
Internal light	•
Pyrolytic self-clean	•
True Convection	•

Oven functions

Pyrolytic self-clean	•
----------------------	---

Oven performance

Main Oven Shelf Positions	5
Main Oven Total Capacity	4.8cu ft
Main Oven Usable Capacity	3.8cu ft
Main oven- Bake	4600W
Main oven- Broil	4000W
Main oven- True convection	2500W

Power requirements

Electric circuit	4 wire
Rated current	30A
Supply frequency	60Hz
Supply voltage	120 - 240V

Product dimensions

Depth	29 1/8"
Depth (Excluding handles)	29 1/8"
Height	35 3/4" - 36 3/4"
Height (excluding vent trim)	35 3/4" - 36 3/4"
Width	35 7/8"

Rangetop features

Dual zones	•
Gentle heat	3 settings (111°F, 158°F, 201°F)
Heat settings	9
Induction cooking technology	•
PowerBoost all zones	up to 5500W
SmartZone	•
Zone bridging	•

Rangetop Performance

Centre zone rating	1850/2600W
Left front zone rating	2100W
Left rear zone rating	2100W
PowerBoost	•
PowerBoost all zones	up to 5500W
Right front zone rating	2100W
Right rear zone rating	2100W

Safety

Pan detection system	•
Safety time out	•
Surface hot indicators	•

Warranty

Parts and labor	Limited 2 Years Parts & Labor
-----------------	-------------------------------

SKU	81892
-----	-------

The product dimensions and specifications in this page apply to the specific product and model. Under our policy of continuous improvement, these dimensions and specifications may change at any time. You should therefore check with Fisher & Paykel's Customer Care Centre to ensure this page correctly describes the model currently available. © Fisher & Paykel Appliances Ltd 2019.



A PEACE OF MIND SALE

24 Hours 7 Days a Week Customer Support

T 1300 650 590 W www.fisherpaykel.com