

GDT535PSM

GE® Dishwasher with Hidden Controls

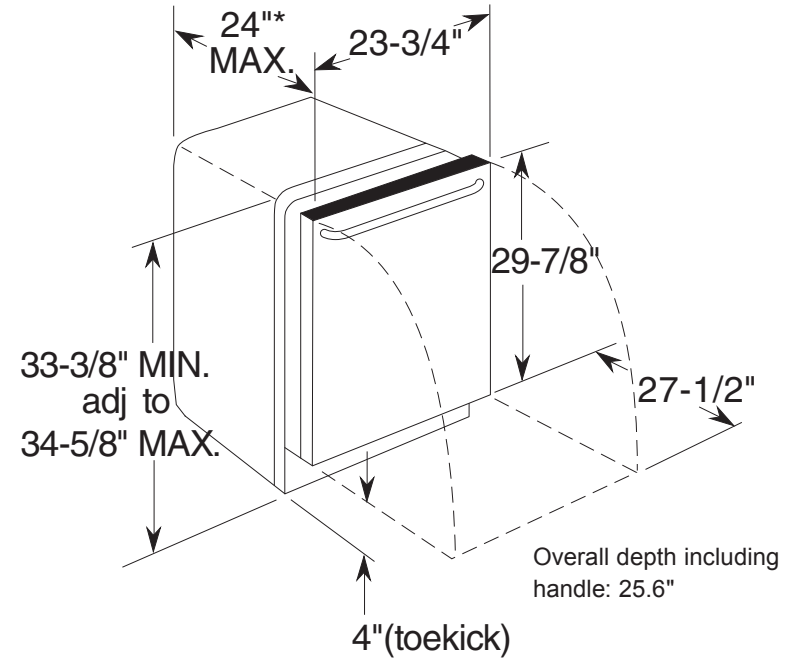
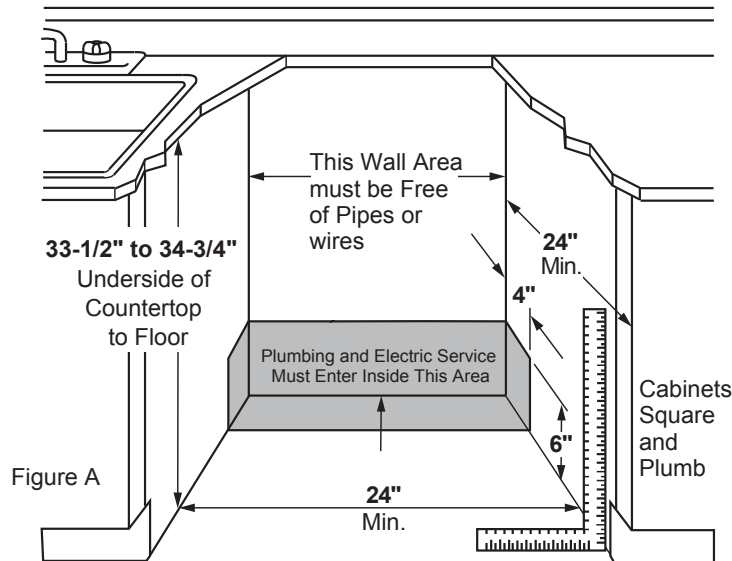
DIMENSIONS AND INSTALLATION INFORMATION (IN INCHES)

ELECTRICAL RATING

Voltage AC.....	120
Hertz.....	60
Total connected load amperage.....	7.1
Calrod® heater watts max.....	800/500

For use on adequately wired 120-volt, 15-amp circuit having 2-wire service with a separate ground wire. This appliance must be grounded for safe operation.

INSTALLATION INFORMATION: Before installing, consult installation instructions packed with product for current dimensional data.



For answers to your Monogram, GE Café™ Series, GE Profile™ Series or GE Appliances product questions, visit our website at geappliances.com or call GE Answer Center® Service, 800.626.2000.



Certified to NSF Standard 184 for sanitation



Listed by Underwriters Laboratories



As an ENERGY STAR® partner, GE has determined that this product meets the ENERGY STAR guidelines for energy efficiency.

Specification Revised 4/20

GDT535PSM

GE® Dishwasher with Hidden Controls

FEATURES AND BENEFITS

Dry Boost – Gets hard-to-dry items up to 3 times dryer than standard dry cycles

Steam + Sani – Loosens tough soils before any cycle virtually eliminating the need for soaking or pre-rinsing dishes. Plus a High-temperature rinse sanitizes and reduces 99.999% of bacteria found on dishes

Active Flood Protect – An internal sensor prevents the dishwasher from overflowing, so you have peace of mind with every cycle (Available June 2020)

Piranha Hard Food Disposer – To ensure consistently clean items, this stainless steel blade rotates at 3,600 RPM to pulverize food particles and helps to prevent large particles from clogging the wash arms

1 Hr Wash – Enjoy a quality clean when you're short on time

Dedicated Silverware Jets – Get table-ready silverware thanks to powerful jets that focus on silverware baskets

Automatic Hot Start – Provides optimal water temperature for dependable performance

Cabinet Depth Flush Install – Achieving an attractive, flush appearance that complements and blends in with cabinetry is possible with a unique design that doesn't reduce rack capacity

Built Up Floor Capable – Installation over built-up floors is simple with the ability to adjust the dishwasher height to 33-3/8" - 34-5/8"

dBA59

Model GDT535PSMSS – Stainless steel

