

IPEG-B40F-IRW2

4MP Starlight Bullet Network Camera



- 4MP, 1/3" CMOS image sensor
- H.265 & H.264 dual-stream encoding
- 4MP (2560 × 1440) @1-25/30 fps
- DWDR, 3D DNR, HLC, BLC
- 2.8 mm fixed lens
- Max. IR LEDs Length 98ft
- Built-in Mic
- PoE/12V DC
- IP67 for outdoor

System Overview

New from the Edge series of IC Realtime cameras is the IPEG-B40F-IRW2. This bullet form factor camera is capable of 4MP@ 30FPS and comes packed with high end features, including DWDR and Starlight support for a more colorful image in low illumination environments and backed with 98ft of IR distance.

The camera also comes with H.265 encoding technology, which provides a more efficient video encoding capacity, saves bandwidth and storage space compared to H.264. In addition, it is waterproof and dust-proof by complying to IP67 standards

Made In South Korea And Conforms To The Trade Agreements Act (TAA)

Functions

Environmental

With a temperature range of -40°F to +140°F (-40°C to +60°C), the camera is designed for extreme temperature environments. The camera complies to an IK10 impact rating making it capable of withstanding the equivalent of 120 lbs (55 kg) of force. Subjected and certified to rigorous dust and water immersion tests, the IP67 rating makes it suitable for demanding outdoor applications. For environments with rain, sleet, snow and fog, an integrated wiper provides users with clear visibility at all times.

Smart H.265+

Deliver high quality video without straining the network, Smart H.265+ is the optimized implementation of H.265. The Smart H.265+ encoding technology includes a scene adaptive encoding strategy, dynamic GOP, dynamic ROI, flexible multi-frame reference structure and intelligent noise reduction, providing saving of up to 70% of bandwidth and storage when compared with standard H.265.

Interoperability

The camera conforms to the ONVIF (Open Network Video Interface Forum) specifications, ensuring interoperability between network video products regardless of manufacturer.

Smart IR

With IR illumination, detailed images can be captured in low light or total darkness. The camera's Smart IR technology adjusts the intensity of camera's infrared LEDs to compensate the distance of an object. Smart IR technology prevents IR LEDs from whitening out images as they come closer to the camera. The camera's integrated infrared illumination provides high performance in extreme low-light environments up to 98ft (30m).



Technical Specification

Camera

Image Sensor	1/3" 4 Megapixel progressive CMOS
Effective Pixels	2688 (H) × 1520 (V)
RAM/ROM	64MB /16 MB
Scanning System	Progressive
Electronic Shutter Speed	Auto/Manual 1/3 s–1/100000 s
Minimum Illumination	0.03 lux@F2.0 (Color, 30 IRE) 0.003 lux@F2.0 (B/W, 30 IRE) 0 lux (Illuminator on)
S/N Ratio	More than 50dB
IR Distance	Distance up to 98.43 ft (30 m)
IR On/Off Control	Auto / Manual
IR LEDs	1

Lens

Lens Type	Fixed				
Mount Type	M12				
Focal Length	2.8mm				
Max. Aperture	F2.0				
Angle of View	Horizontal: 90° Vertical: 50°				
Optical Zoom	N/A				
Focus Control	Fixed				
Close Focus Distance	3.28 ft (1 m)				
DORI Distance	Lens	Detect	Observe	Recognize	Identify
	2.8 mm	223ft	89ft	44ft	22ft

Pan/Tilt/Rotation

Pan/Tilt/Rotation Range	Pan: 0°–360°Tilt: 0°–90°Rotation: 0°–360°
-------------------------	---

Video

Compression	H.265; H.264; H.264B; MJPEG (Sub Stream)
Streaming Capability	2 Streams
Resolution	4M (2560 × 1440); 3M (2304 × 1296); 1080p (1920 × 1080); 1.3M (1280 × 960); 720p (1280 × 720); D1 (704 × 576/704 × 480); VGA (640 × 480); CIF (352 × 288/352 × 240)
Frame Rate	Main Stream: 4MP 2688 × 1520 (1 fps-20 fps) 4MP 2560 × 1440 (1 fps-25/30 fps) Sub Stream: D1 704 × 576 (1 fps-25fps) D1 704 × 480 (1 fps-30fps)
Bit Rate Control	CBR/VBR
Bit Rate	H.264: 32 kbps–6144 kbps H.265: 12 kbps–6144 kbps
Day/Night	Auto(ICR) / Color / B/W
BLC Mode	BLC / HLC / DWDR
White Balance	Auto/natural/street lamp/outdoor/manual/regional custom
Gain Control	Auto / Manual
Noise Reduction	3D DNR
Motion Detection	Off / On (4 Zone, Rectangle)
Region of Interest	Off / On (4 Zone)

Smart IR	Support
Starlight	Support
Digital Zoom	16x
Flip	0°/180°
Mirror	Off / On
Privacy Masking	Off / On (4 Area, Rectangle)

Audio

Compression	G.711a; G.711Mu; G.726; PCM
-------------	-----------------------------

Network

Ethernet	RJ-45 (10/100Base-T)
Protocol	IPv4; IPv6; HTTP; TCP; UDP; ARP; RTP; RTSP; SMTP; FTP; DHCP; DNS; NTP; Multicast
Interoperability	ONVIF (Profile S/Profile T); CGI; P2P
Cyber Security	Configuration encryption;Trusted Execution; Digest;Security logs;HTTPS;Trusted Upgrade; WSSE;Trusted boot;Account lockout; Generation and importing of X.509 certification;Video encrypt
Streaming Method	Unicast / Multicast
Max. User Access	6 (Total bandwidth: 36 M)
Edge Storage	FTP
Web Viewer	IE, Chrome, Firefox, Safari
Management Software	SmartICRSS, DSS
Smart Phone	IOS, Android

Certifications

Certifications	FCC: 47 CFR FCC Part 15, Subpart B
----------------	------------------------------------

Interface

Video Interface	N/A
Audio Interface	Built-in Mic
RS485	N/A
Alarm	N/A

Electrical

Power Supply	DC12V, PoE (802.3af)
Power Consumption	Basic: 1.4 W (12 VDC); 2.2 W (PoE) Max. (ICR + H.265+IR on): 3.4 W (12 VDC); 4.4 W(PoE)

Environmental

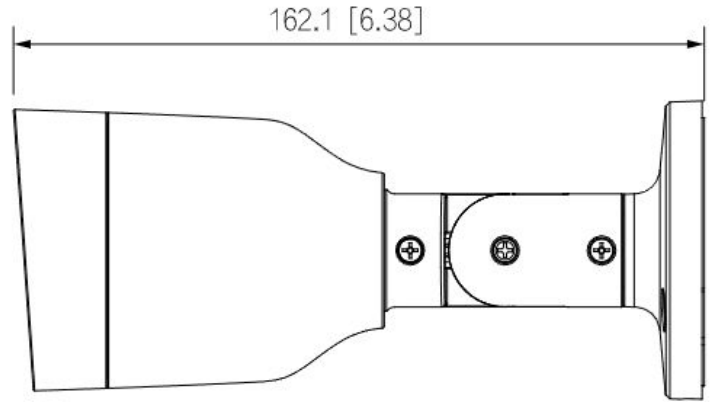
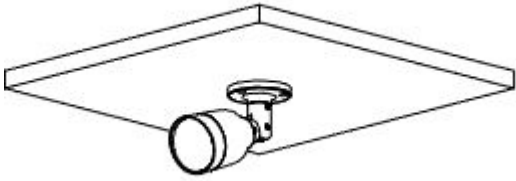
Operating Conditions	-40°C to +60°C (-40°F to +140°F)/less than ≤ 95% RH
Storage Conditions	-40°C to +60°C (-40°F to +140°F)
Ingress Protection	IP67
Vandal Resistance	N/A

Construction

Casing	Metal
Dimensions	6.40" × 2.76" × 2.7 (162.1 mm × 70 mm × 70 mm)
Net Weight	0.71 lb (0.32 kg)
Gross Weight	0.99 lb (0.45 kg)

Accessories

Dimensions (mm/in)



MNT-JUNCTIONBOX-1

