



Register your
appliance and join
the Bosch
family of perks:
[bosch-home.com/us/
mybosch](https://bosch-home.com/us/mybosch)



Microwave

HMV8054U HMV8045U HMV8045C

[en-us] Use and Care Manual	Microwave	2
[fr-ca] Manuel d'utilisation	Micro-ondes	34
[es-mx] Manual del usuario	Microondas	70

Table of contents

1 Microwave energy	3	9.2 Sensor reheat.....	21
2 IMPORTANT SAFETY INSTRUCTIONS	4	9.3 Sensor cook.....	22
2.1 Safety definitions.....	4	10 Convenience operation	23
2.2 Microwave safety.....	4	10.1 Beverage.....	23
2.3 Safe use.....	4	10.2 Popcorn.....	23
2.4 GROUNDING INSTRUCTIONS.....	5	10.3 Keep warm.....	23
2.5 TV / Radio interference.....	5	10.4 More modes.....	24
2.6 Child safety.....	6	11 Cooking charts	25
2.7 Cleaning safety.....	6	11.1 Cooking meat in your microwave.....	25
2.8 Cooking safety.....	6	11.2 Cooking poultry in your microwave.....	25
2.9 In case of fire.....	7	11.3 Stand time.....	26
2.10 Liquids.....	7	11.4 Cooking eggs in your microwave.....	26
2.11 Cooking items.....	7	11.5 Cooking vegetables in your microwave.....	26
2.12 Cooking utensils.....	8	11.6 Cooking seafood in your microwave.....	26
2.13 Glass tray / Turntable ring.....	8	12 Cleaning and maintenance	27
2.14 Exhaust mode operation.....	9	12.1 Cleaning agents.....	27
2.15 Pacemakers.....	9	12.2 Cleaning the vent filters.....	28
2.16 Fan motor operation.....	9	12.3 Replacing the odor filter.....	29
2.17 Room venting with odor filter.....	9	13 Troubleshooting	30
2.18 State of California Proposition 65 Warnings.....	9	14 Disposal	31
3 Preventing material damage	10	14.1 Disposal of your old appliance.....	31
3.1 General.....	10	15 Customer Service	31
4 Environmental protection and energy-saving	10	15.1 Model number (E-Nr.) and production number (FD).....	31
4.1 Disposal of packaging.....	10	15.2 Rating plate location.....	31
4.2 Saving energy.....	10	16 STATEMENT OF LIMITED PRODUCT WARRANTY	31
5 Familiarizing yourself with your appliance	11	16.1 What this warranty covers & Who it applies to.....	31
5.1 Appliance.....	11	16.2 How long the warranty lasts.....	32
5.2 Control panel.....	12	16.3 Repair/replace as your exclusive remedy.....	32
6 Accessories	14	16.4 Out of warranty product.....	32
6.1 Fitting the glass tray turntable.....	14	16.5 Warranty exclusions.....	32
6.2 Using the wire rack.....	14	16.6 Obtaining warranty service.....	33
6.3 Using the convection rack.....	15	16.7 Product information.....	33
6.4 Microwave utensil guide.....	15		
7 Before using for the first time	16		
7.1 Cleaning the appliance before using it for the first time.....	16		
7.2 Applying the program label.....	16		
7.3 Setting the time of day.....	16		
8 Basic Operation	16		
8.1 Setting the microwave.....	16		
8.2 Setting the kitchen timer.....	18		
8.3 Operating the vent fan.....	18		
8.4 Turning the surface light on or off.....	18		
8.5 Turning the turntable on or off.....	18		
8.6 Convection cooking.....	19		
8.7 Basic settings.....	20		
9 Sensor programs	20		
9.1 Auto defrost.....	20		

1 Microwave energy

⚠ PRECAUTIONS TO AVOID POSSIBLE EXPOSURE TO EXCESSIVE MICROWAVE ENERGY

- (1) Do not attempt to operate this appliance with the door open, since open-door operation can result in harmful exposure to microwave energy. It is important not to defeat or tamper with the safety interlocks.
- (2) Do not place any object between the appliance front face and the door or allow soil or cleaner residue to accumulate on sealing surfaces.
- (3) Do not operate the appliance if it is damaged. It is particularly important that the appliance door close properly and that there is no damage to the:
 - door (bent)
 - hinges and latches (broken or loosened)
 - door seals and sealing surfaces.
- (4) The appliance should not be adjusted or repaired by anyone except authorized service personnel. Improper installation, service or maintenance can cause injury or property damage. Refer to this manual for guidance.
Refer all servicing to a factory authorized service provider.



IMPORTANT SAFETY INSTRUCTIONS

READ ALL INSTRUCTIONS BEFORE USING THE APPLIANCE

WARNING - Read all instructions carefully before use. These precautions will reduce the risk of burns, electric shock, fire, injury to persons, or exposure to excessive microwave energy. When using kitchen appliances, basic safety precautions must be followed including those in the following pages.

2.1 Safety definitions

Here you can find explanations of the safety signal words used in this manual.

WARNING

This indicates that death or serious injuries may occur as a result of non-observance of this warning.

CAUTION

This indicates that minor or moderate injuries may occur as a result of non-observance of this warning.

NOTICE:

This indicates that damage to the appliance or property may occur as a result of non-compliance with this advisory.

Note: This alerts you to important information and/or tips.

2.2 Microwave safety

WARNING

When using electrical appliances basic safety precautions should be followed, including the following:

- ▶ Read all instructions before using the appliance.
- ▶ Read and follow the specific PRECAUTIONS TO AVOID POSSIBLE EXPOSURE TO EXCESSIVE MICROWAVE ENERGY found on → *Page 3*
- ▶ This appliance must be grounded. Connect only to properly grounded outlet. See → *"GROUNDING INSTRUCTIONS", Page 5.*
- ▶ Install or locate this appliance only in accordance with the provided installation instructions.
- ▶ Some products such as whole eggs and sealed containers – for example, closed glass jars – are able to explode and should not be heated in this appliance.
- ▶ Use this appliance only for its intended use as described in the manual. Do not use corrosive chemicals or vapors in this appliance. This type of appliance is specifically designed to heat, cook, or dry food. It is not designed for industrial or laboratory use.

- ▶ **HOT CONTENTS CAN CAUSE SEVERE BURNS. DO NOT ALLOW CHILDREN TO USE THE MICROWAVE.** Use caution when removing hot items.
- ▶ Do not operate this appliance if it has a damaged cord or plug, if it is not working properly, or if it has been damaged or dropped.
- ▶ This appliance should be serviced only by an authorized service provider. Contact nearest authorized service provider for examination, repair, or adjustment.
- ▶ Do not cover or block any vents or openings on the appliance.
- ▶ Do not store this appliance outdoors. Do not use this product near water – for example, near a kitchen sink, in a wet basement, near a swimming pool, or similar locations.
- ▶ Do not immerse cord or plug in water.
- ▶ Keep cord away from heated surface.
- ▶ Do not let cord hang over edge of table or counter.
- ▶ When cleaning surfaces of door and appliance that come together on closing the door, use only mild, non-abrasive soaps, or detergents applied with a sponge or soft cloth. See door surface cleaning instructions. → *"Cleaning and maintenance", Page 27*

2.3 Safe use

WARNING

If the information in this manual is not followed exactly, fire or shock may result causing property damage or personal injury.

This appliance is intended for normal family household use only. It is not approved for outdoor use. See the Statement of Limited Product Warranty. If you have any questions, contact the manufacturer.

This appliance must be mounted at a minimum height of 36" (914 mm).

WARNING

Do not operate the appliance when room humidity is excessive.

WARNING

Do not operate gas cooktop burners without pots in place. The open flame may overheat the appliance above. To reduce the risk of fire in the appliance cavity

- ▶ Do not overcook food. Carefully attend appliance when paper, plastic, or other combustible materials are placed inside the appliance to facilitate cooking.



IMPORTANT SAFETY INSTRUCTIONS

READ ALL INSTRUCTIONS BEFORE USING THE APPLIANCE

- ▶ Remove wire twist-ties from paper or plastic bags before placing the bag in the appliance.
- ▶ If material inside of the appliance should ignite, the appliance door should be kept closed, the appliance turned off, the power cord disconnected, or the power shut off at the fuse or circuit breaker panel.
- ▶ Do not use the appliance cavity for storage purposes. Do not leave paper products, cooking utensils, or food in the appliance cavity when not in use.

This appliance is suitable for use above gas or electric cooking equipment 36" (914 mm) or less wide.

WARNING

The light emitted by LED lights is very dazzling, and can damage the eyes.

- ▶ Do not look directly into the switched-on LED lights for longer than 100 seconds.
- ▶ Do not look directly into the switched-on LED lights using optical aids such as binoculars or a magnifying glass.

WARNING

While cooking food items, small amounts of certain by-products, such as particulate matter / soot, can be released. To minimize exposure to these substances:

- ▶ Always ensure proper ventilation by using an appropriate ventilation fan or hood vented to the outside and/or an open window.
- ▶ Always operate the unit according to the instructions in this manual.

WARNING

Overheated materials can cause fire or burns and may produce potentially harmful smoke or fumes.

- ▶ To prevent overheating, turn ventilation hood ON when heating grease, fats or frying using medium to high heat settings.
- ▶ Avoid heating empty pots and pans.
- ▶ Do not allow pans to boil dry.
- ▶ Do not allow aluminum foil, plastic, paper, or cloth to come in contact with a hot surface element, burner, or grate.

2.4 GROUNDING INSTRUCTIONS

Follow these safety instructions when connecting your appliance to the power supply.

WARNING

Improper grounding can result in a risk of electric shock. This appliance must be grounded. Grounding reduces risk of electric shock by providing a safe pathway for electric current in the event of a short circuit.

- ▶ This appliance is equipped with a cord having a grounding wire with a grounding plug, the plug must be plugged into an outlet that is properly installed and grounded. See Installation Instructions.
- ▶ Consult a qualified electrician if grounding instructions are not completely understood, or if doubt exists as to whether the appliance is properly grounded.
- ▶ Do not use an extension cord. If the product power cord is too short, have a qualified electrician install a three-slot receptacle near the appliance. This appliance should be plugged into a separate 60 Hertz circuit with the electrical rating as shown in specifications table. Refer to the section on electrical requirements in the Installation Instructions.
- ▶ When the appliance is on a circuit with other equipment, an increase in cooking times may be required and fuses can be blown.
- ▶ This appliance operates on standard household current, 120 V.

2.5 TV / Radio interference

Avoid TV and radio interference by following these instructions.

This appliance generates and uses ISM frequency energy. If not installed and used properly, in strict accordance with the manufacturer's instructions, it may cause interference to radio and television reception. It has been type tested and found to comply with limits for ISM equipment pursuant to part 18 of FCC rules, which are designed to provide reasonable protection against such interference in a residential installation. However, there is no guarantee that interference will not occur in a particular installation. Turn the appliance on and off to determine if it causes interference.

Try the following to correct the interference:

- Clean door and sealing surface of the appliance.

SAVE THESE INSTRUCTIONS.



IMPORTANT SAFETY INSTRUCTIONS

READ ALL INSTRUCTIONS BEFORE USING THE APPLIANCE

- Reorient the receiving antenna of the radio or television.
- Relocate the appliance with respect to the receiver.
- Move the appliance away from the receiver.
- Plug the appliance into a different outlet so that the appliance and the receiver are on different branch circuits.
- The manufacturer is not responsible for any radio or TV interference caused by unauthorized modification to this appliance. It is the responsibility of the user to correct such interference.

2.6 Child safety

Do not allow children to use this appliance. Failure to do so can result in burns or serious injury to children. Children and pets should not be left alone or unattended in the area where the appliance is in use. They should never be allowed to play in its vicinity, whether or not the appliance is in use.

WARNING

Do not allow anyone to climb, stand, lean, sit, or hang on any part of an appliance, especially a door, warming drawer, or storage drawer.

- ▶ This can damage the appliance, and the unit may tip over, potentially causing severe injury.

2.7 Cleaning safety

Follow these safety instructions when cleaning your appliance.

WARNING

Be sure the entire appliance has cooled and grease has solidified before attempting to clean any part of the appliance.

CAUTION

Grease left on filters can re-melt and move into the vent. Clean ventilating fans frequently. Grease should not be allowed to accumulate on fan, filters, or exhaust ducts.

- Use care when cleaning the exhaust filters. Corrosive cleaning agents, such as lye-based oven cleaners may damage the filter.
→ *"Cleaning and maintenance", Page 27*
- When cleaning surfaces of door and appliance cavity that come together on closing the door, use only mild, non-abrasive soaps, or detergents applied with a

sponge or soft cloth. See door surface cleaning instructions.

→ *"Cleaning and maintenance", Page 27*

- Clean turntable roller rest and appliance cavity bottom frequently to prevent excessive noise.
- Allow the glass tray to cool before cleaning or placing in water.

2.8 Cooking safety

CAUTION

To avoid personal injury or property damage, observe the following:

- ▶ Do not leave the appliance unattended while in use.
- ▶ Do not store flammable material next to or in the appliance.
- ▶ When flaming foods under the appliance, always turn the fan on.
- ▶ Do not operate the appliance while empty. This could damage the appliance and result in a risk of fire.
- ▶ Do not store or use corrosive chemicals, vapors, flammables or nonfood products in or near this appliance. It is specifically designed for use when heating or cooking food. The use of corrosive chemicals in heating or cleaning will damage the appliance and could result in injury.
- ▶ Do not dry clothes, newspapers or other materials in the appliance. Do not use newspapers or paper bags for cooking. Fire could result.
- ▶ Do not use recycled paper products unless labeled safe for microwave use. They may contain impurities which may cause sparks and result in fires when used.
- ▶ Always use potholders when removing items from the appliance. The cooking container and the glass tray can be hot even if the appliance is cool.
- ▶ Whenever possible, do not operate the ventilation system during a cooktop fire. However, do not reach through fire to turn it off.
- ▶ Do not mount over a sink.
- ▶ Do not store anything directly on top of the appliance surface when the appliance is in operation.
- ▶ Oversized food or oversized metal utensils should not be inserted in a microwave as they may create a fire or risk of electric shock.



IMPORTANT SAFETY INSTRUCTIONS

READ ALL INSTRUCTIONS BEFORE USING THE APPLIANCE

- ▶ Do not clean with metal scouring pads. Pieces can break off the pad and touch electrical parts involving a risk of electric shock.
- ▶ Do not use paper products when appliance is operated in the toaster mode.
- ▶ Do not store any materials, other than manufacturer's recommended accessories, in this appliance when not in use.
- ▶ Do not cover racks or any other part of the appliance with metal foil. This will cause overheating of the appliance.

2.9 In case of fire

If materials inside an appliance should ignite:

- Keep the appliance door closed.
- Turn the appliance off.
- Unplug the appliance or shut off at fuse or circuit breaker.

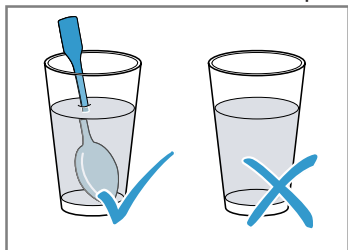
2.10 Liquids

WARNING

Liquids such as water, coffee, or tea are able to be overheated beyond the boiling point without appearing to be boiling. Visible bubbling or boiling when the container is removed from the microwave is not always present.

THIS COULD RESULT IN VERY HOT LIQUID SUDDENLY BOILING OVER WHEN THE CONTAINER IS DISTURBED OR A SPOON OR OTHER UTENSIL IS INSERTED INTO THE LIQUID.

- ▶ When heating liquids, always place a glass rod/spoon in the container. This will prevent delayed boiling.



CAUTION

Metal e.g. a spoon in a glass must be kept at least 1" (25 mm) from the appliance walls and the inside of the door. Sparks could irreparably damage the glass on the inside of the door.

Follow these recommendations when cooking with your microwave:

- Take ready meals out of the packaging. They will heat up more quickly and evenly in microwaveable ovenware. The different components of the meal may not require the same amount of time to heat up.
- Always cover the food. If you do not have a suitable cover for your container, use a plate or special microwave foil.
- Stir or turn the food several times during cooking. Check the temperature.
- After heating, allow the food to stand for a further 2 to 5 minutes so that it can achieve an even temperature.
- Always use an oven cloth or oven gloves when removing plates from the appliance.

2.11 Cooking items

Follow these safety instructions when cooking food in your microwave to avoid injury.

- Eggs:
 - Do not cook or reheat whole eggs, with or without shell. Steam buildup in whole eggs may cause them to explode, and possibly damage the appliance or cause injury.
 - Reheating sliced hard-boiled eggs and cooking scrambled eggs is safe.
- Popcorn:
 - Use only popcorn in packages designed and labeled for microwave use, or pop it in a microwave corn popper.
 - Follow popcorn manufacturers' directions and use a brand suitable for the wattage of your appliance.
 - Do not continue to heat after popping has stopped. Popcorn will scorch or burn.
 - Do not leave the appliance unattended.

CAUTION

When using pre-packaged microwave popcorn, check package weight before using the popcorn function.

- ▶ Set the appliance for the weight of the popcorn package. If these instructions are not followed, popcorn may not pop adequately or may ignite and cause fire.
- Foods with non-porous skins:

SAVE THESE INSTRUCTIONS.



IMPORTANT SAFETY INSTRUCTIONS

READ ALL INSTRUCTIONS BEFORE USING THE APPLIANCE

Potatoes, tomatoes, sweet potatoes, apples, whole squash and sausages are examples of foods with nonporous skins. These types of foods must be pierced before cooking to prevent them from exploding.

- Baby food / Baby formula:
Do not heat baby bottles or food in a microwave. The glass jar or the surface of food may appear warm while the interior can burn the infant's mouth and esophagus.
- Deep fat frying:
 - Do not deep fat fry in the appliance. Oil can be heated beyond ideal temperatures very quickly in a microwave. Temperatures can climb high enough for the cooking oils to reach their respective flash points and burst into flames. The heated oil may bubble and spatter causing possible damage to the appliance and perhaps result in burns.
 - Additionally, microwave-safe utensils may not be able to withstand the temperature of the hot oil, and could result in the utensil shattering, if it contains a slight imperfection, scratch or chip.
- Home Canning / Drying foods / Small quantities of foods:
 - Do not use the microwave for home canning or heating of any closed jar. Pressure will build up and the jar may explode. In addition, the appliance cannot maintain the food at the proper canning temperature. Improperly canned food may spoil and be dangerous to consume. Small quantities of food or foods with low moisture content can dry out, burn or catch on fire. Do not dry meats, herbs, fruits or vegetables in your appliance.
 - Proper cooking depends on time set and weight of food. If you use a smaller portion than recommended and cook at the time for the recommended portion, fire could result.
- Browning dishes:
 - Microwave browning dishes or grills are designed for microwave cooking only. Preheating times vary depending on the size of the browning dish and food being cooked.
 - Always follow instructions provided by the browning dish or grill manufacturer.
 - Do not preheat browning dishes more than 6 minutes.
- Oven roasting bags:
 - If an oven bag is used for microwave cooking, prepare according to package directions.

- Do not use wire twist-ties to close bags, instead use nylon ties, cotton string or a strip cut from the open end of the bag. Make six ½" (12.7 mm) slits by closure.
- Place the oven cooking bag in a dish slightly larger than the food being cooked.

2.12 Cooking utensils

CAUTION

Incorrect use of cooking utensils can result in injuries or property damage.

- ▶ See also Microwave Utensil Guide → *Page 15*.
- ▶ Cooking utensils, the glass tray and racks get hot during microwaving. Always use potholders when removing items from the appliance. Allow the glass tray and the metal racks (if used) to cool before handling.
- ▶ Do not use metal utensils, or dishes with metallic trim in the appliance.
- ▶ When using aluminum foil in the appliance, allow at least 1" (25 mm) of space between foil and interior appliance walls or door.
- ▶ The glass tray and the metal racks (if used) will get hot during cooking. The cooking container and the glass tray can be hot even if the appliance is cool.
- ▶ Never use paper, plastic, or other combustible materials that are not intended for cooking.
- ▶ When cooking with paper, plastic, or other combustible materials, follow manufacturer's recommendations on product use.
- ▶ Do not use paper towels which contain nylon or synthetic fibers. Heated synthetics could melt and cause paper to ignite.
- ▶ Do not heat sealed containers or plastic bags in the appliance. Food or liquid could expand quickly and cause container or bag to break. Pierce or open container or bag before cooking.
- ▶ Do not use regular cooking thermometers in the appliance. Most cooking thermometers contain mercury and may cause electrical arc, malfunction, or damage to the appliance.

2.13 Glass tray / Turntable ring

- Do not operate the appliance without the turntable roller rest and the glass tray in place.



IMPORTANT SAFETY INSTRUCTIONS

READ ALL INSTRUCTIONS BEFORE USING THE APPLIANCE

- Improper cooking or damage to the appliance could result. Verify that the glass tray is properly positioned and turning when the appliance is in use. **Note:** The glass tray can turn in either direction.
- Only use the glass tray designed for this appliance. Do not substitute any other tray.
- Allow the glass tray to cool before cleaning or placing in water.
- Do not place food directly on the glass tray. Always place food in a microwave safe dish.
- Always replace the turntable ring and the glass tray in their proper positions.
- The turntable ring must always be used for cooking along with the glass tray.

2.14 Exhaust mode operation

When the appliance is operated in exhaust mode simultaneously with a gas burner, care must be taken to ensure that there is an adequate supply of fresh air which will be needed by the burner for combustion.

WARNING

Avoid carbon monoxide poisoning – Provide adequate air intake so combustion gases are not drawn back into the room. An air-intake/exhaust-air wall box by itself is no guarantee that the limiting value will not be exceeded.

- ▶ **Note:** When assessing the overall requirement, the combined ventilation system for the entire household must be taken into consideration. This rule does not apply to the use of cooking appliances, such as cooktops and ovens.

2.15 Pacemakers

CAUTION

To avoid pacemaker malfunction, consult physician or pacemaker manufacturer about effects of microwave energy on pacemaker.

2.16 Fan motor operation

After using the appliance the fan motor can continue to run to cool the electric components. This is perfectly normal, and you can take out the food from the appliance while the fan operates.

2.17 Room venting with odor filter

The odor filter, which is enclosed with your microwave, binds the odorous substances.

Note: If no odor filter is installed, it is not possible to bind the odorous substances in the cooking vapors.

2.18 State of California Proposition 65 Warnings

This product may contain a chemical known to the State of California, which can cause cancer or reproductive harm. Therefore, the packaging of your product may bear the following label as required by California:

STATE OF CALIFORNIA PROPOSITION 65 WARNING:

 **WARNING**

Cancer and Reproductive Harm - www.P65Warnings.ca.gov

SAVE THESE INSTRUCTIONS.

3 Preventing material damage

3.1 General

Follow these instructions when using the appliance.

NOTICE:

Metal, such as a spoon in a glass, must be kept at least 1" (25 mm) from the appliance cavity walls and the inside of the door.

- ▶ Sparks could irreparably damage the glass on the inside of the door.

When the appliance cavity is hot, any water inside it will create steam. The change in temperature may cause damage.

- ▶ Never pour water into the appliance cavity when it is still hot.
- ▶ Never place cookware containing water on the appliance cavity bottom.

The prolonged presence of moisture in the appliance cavity leads to corrosion.

- ▶ Always wipe away condensation after cooking.
- ▶ Do not keep moist food in the appliance cavity for a long time with the door closed.
- ▶ Do not store food in the appliance cavity.

Fruit juice can leave stains in the appliance cavity.

- ▶ Always remove fruit juice immediately when safe to touch, and wipe up first with a damp and then a dry cloth.

Leaving the appliance to cool down with the door open will damage the front of neighboring kitchen units over time.

- ▶ Always allow the appliance cavity to cool down with the door closed after cooking at high temperatures. Only leave the appliance cavity to dry with the door open if a lot of moisture was produced during operation.

If the seal is very dirty, the appliance door will not close properly when the appliance is in operation. This may damage the front of adjacent kitchen units.

- ▶ Keep the seal clean at all times.
- ▶ Never operate the appliance if the seal is damaged or missing.

Sitting or placing objects on the appliance door may damage it.

- ▶ Do not place or hang objects on the appliance door.
- ▶ Do not place cookware or accessories on the appliance door.

With certain models, accessories may scratch the door glass when closing the appliance door.

- ▶ Always push accessories fully into the appliance cavity.

Carrying the appliance by the door handle could break it.

The door handle cannot support the weight of the appliance.

- ▶ Do not carry or hold the appliance by the door handle.

Operating the microwave without food in the appliance cavity may lead to overloading.

- ▶ Never run the microwave unless there is food in the appliance cavity. An exception to this rule is a cooking mode that requires preheating or a short ovenware test.

→ "Microwave utensil guide", Page 15

Always set the microwave power as recommended for the food. High power settings can overheat foods very quickly. Do not overload the turntable, or it may jump.

4 Environmental protection and energy-saving

4.1 Disposal of packaging

The packaging materials are environmentally compatible and can be recycled.

- ▶ Sort the individual components by type and dispose of them separately.

4.2 Saving energy

If you follow these recommendations, your appliance will use less energy.

Use dark-colored, black-coated or enameled baking pans.

- ✓ These types of baking pans absorb the heat particularly well.

Open the appliance door as little as possible during operation.

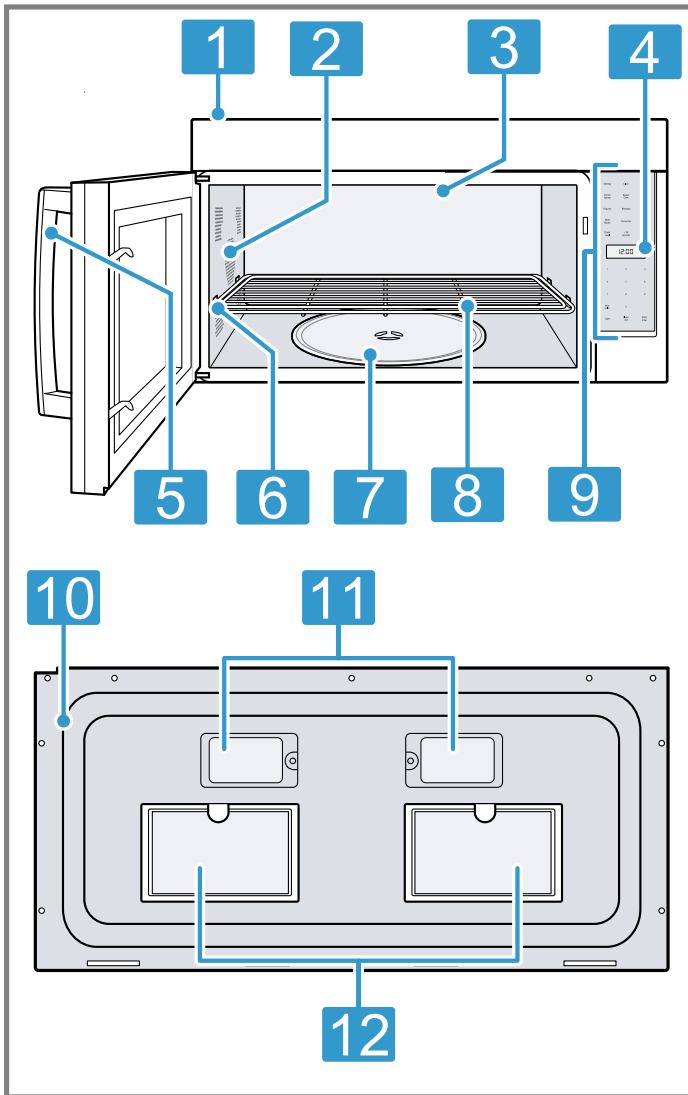
- ✓ This will maintain the temperature in the appliance cavity and eliminate the need for the appliance to reheat.

5 Familiarizing yourself with your appliance

This Use and Care Manual covers several models. Your model may have some but not all of the features listed.

5.1 Appliance

Here you can find an overview of the parts of your appliance.



- | | |
|---|-------------------------------|
| 1 | Appliance vent |
| 2 | Convection element |
| 3 | Appliance cavity light (LED) |
| 4 | Display |
| 5 | Door handle |
| 6 | Rack holder (4x) |
| 7 | Turntable |
| 8 | Wire rack |
| 9 | Control panel with touch keys |

10	Bottom view
----	-------------

11	Surface light (LED)
----	---------------------

12	Vent filters
----	--------------

Appliance vent

The appliance vent is located above the appliance cavity. Warm air may be released from the appliance vent before, during and after cooking. It is normal to see steam escaping from the appliance vent, and condensation may collect in this area. This area may be warm when the appliance is in use. Do not block the appliance vent, since it is important for air circulation.

Convection fan

The convection fan operates during all convection modes. When the appliance is operating in a convection mode, the fan turns off automatically when the door is opened.

Cooling fan

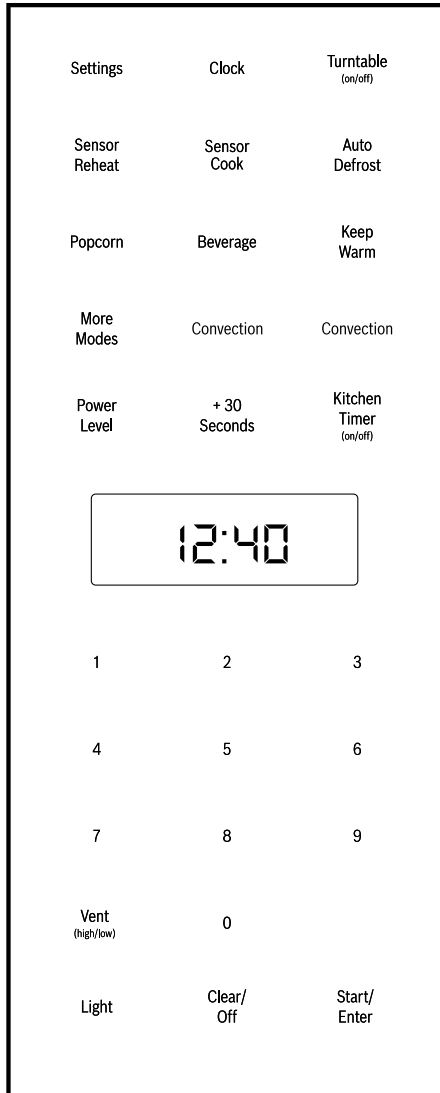
The cooling fan runs during all cooking modes. The fan can be heard when it is running, and warm air may be felt as it is released from the appliance vent. The fan may also run after the appliance is off.

Appliance cavity light (LED)

The appliance cavity light turns off to save energy after 1 minute with the door open. To turn the light back on, close the door and open it again.

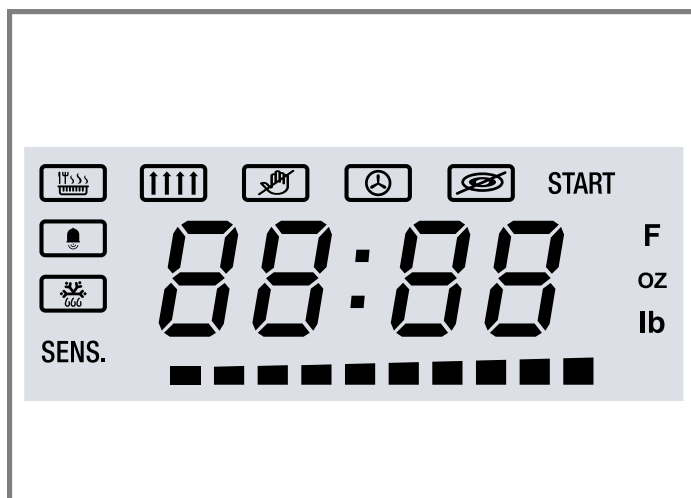
5.2 Control panel

You can use the control panel to configure all functions of your appliance and to obtain information about the operating status.



Display

The display shows active settings and functions. Blinking display elements indicate that an input is required.



Symbol	Function
	Keep warm
	Vent
	Panel lock on
	Convection
	Turntable off
	Kitchen timer
	Defrost
START	Confirmation with Start/Enter touch key required
SENS.	Sensing in progress
F	Temperature in °F
oz lb	Numeric display shows weight in Ounces/Pounds
-----	Status bar for preheating/microwave power level
00:00	Numeric display for time, temperature or weight, depending on the unit displayed next to it

Touch keys

Touch keys are touch sensitive areas. Activate a function by briefly touching the corresponding touch key. When you touch a touch key a short confirmation beep sounds. A long beep means that you have made an invalid input.



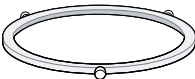
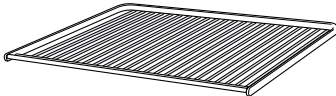
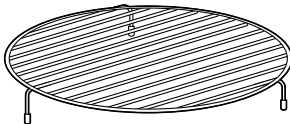
Button	Function
0 - 9	Use the number keys to enter customized values
Start/Enter	Confirm input, start operation
Clear/Off	Clear entered value, turn appliance off
Power Level	Set power level for microwave operation
+ 30 Seconds	Add 30 seconds to microwave timer
Vent (high/low)	Turn kitchen ventilation function on/off
Light	Turn surface light on/off
Kitchen Timer (on/off)	Set a kitchen timer
Turntable (on/off)	Turn turntable on/off
Clock	Set time of day
Settings	Enter basic settings menu
Popcorn	Prepare popcorn, select popcorn packet size
Beverage	Heat beverage, select beverage size
Keep Warm	Set keep warm function
Sensor Reheat	Reheat food with automatic settings
Convection	Set convection mode
Auto Defrost	Defrost food with automatic settings

Button	Function
Sensor Cook	Cook food with automatic settings

6 Accessories

Only use original accessories. These are designed especially for your appliance.

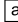
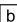

The accessories supplied may differ depending on the appliance model.

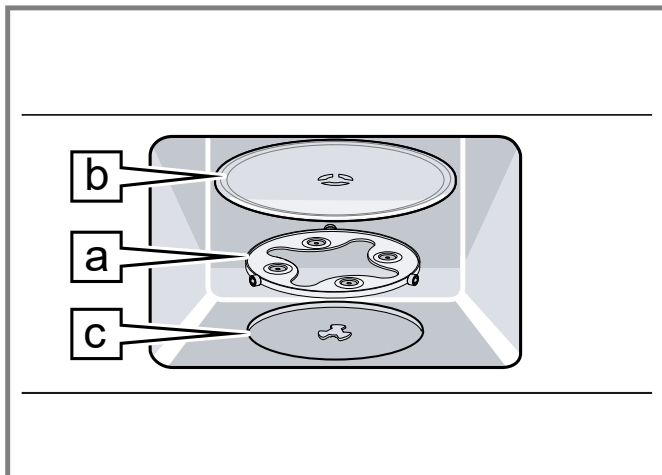
Accessories		Use
Glass tray turntable		Do not operate the appliance without the turntable and roller ring in place. → "Fitting the glass tray turntable", Page 14
Roller ring (Models HMV8045U, HMV8045C)		Enhanced turntable support disk for improved distribution of microwave energy. <ul style="list-style-type: none"> Use instead of the conventional roller ring. Place the glass tray on top.
Roller ring (Model HMV8054U)		Conventional roller ring <ul style="list-style-type: none"> Place the glass tray on top.
Wire rack		Use for extra space.
Convection rack		Use with convection mode.

6.1 Fitting the glass tray turntable

Do not use the appliance if the turntable is not in place.

Note: The graphics are representative. Your appliance may have different graphic or design appearances.

- Place the roller ring  in the recess in the appliance cavity.
- Let the turntable  slot in place in the drive  in the center of the appliance cavity bottom.



- Ensure that the turntable is properly slotted into place and rotates freely when the microwave is operated.

6.2 Using the wire rack

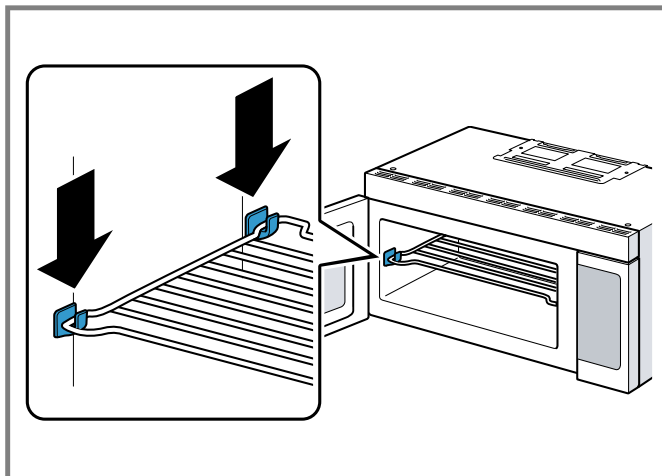
The wire rack gives you extra space when cooking in more than one container at the same time.

CAUTION

Use the wire rack correctly to avoid injury or property damage.

- Do not use the wire rack to pop popcorn.
- The wire rack must be seated on the four plastic supports when used.
- Do not cook with the wire rack on the bottom of the appliance cavity.
- Use the wire rack only when cooking food on two positions.
- The wire rack can get hot during cooking. Allow the wire rack to cool down before handling.
- When not in use, store the wire rack outside of the microwave in a cabinet.

1. Place the wire rack securely in the four plastic supports.



Note: The wire rack must not touch the metal walls or the back of the appliance cavity.

2. Place equal amounts of food above and below the wire rack to balance out cooking energy.

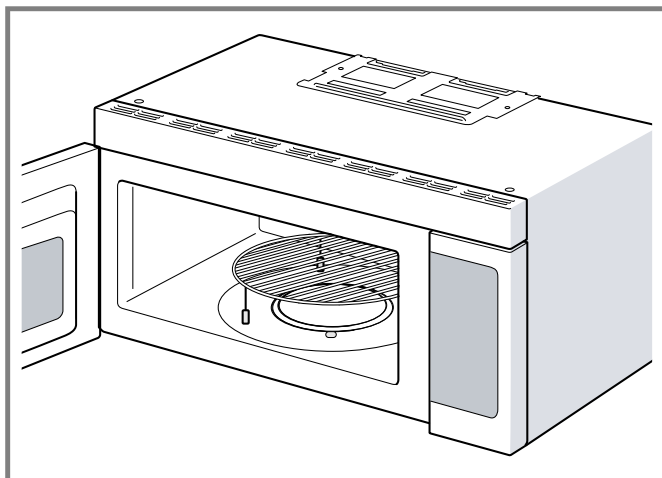
6.3 Using the convection rack

The convection rack gives you best cooking results for convection baking.

Notes

- Never use the convection rack for microwave cooking or heating.
- Place the convection rack in the appliance when the appliance is preheated.

1. Place the convection rack securely on the center of the glass turntable.



2. Place the food directly on the convection rack.

6.4 Microwave utensil guide

Read here to see if your cooking utensils are suitable to be used in the microwave.

Suitable ovenware

Ovenware	Examples
Heat-resistant glass, glass ceramic and earthenware	Utility dishes, loaf dishes, pie plates, cake plates, liquid measuring cups, casseroles and bowls without metallic trim, such as Pyrex [®] , Anchor Hocking [™] , Corning Ware [®] , Emile Henry, etc. ¹
China	Bowls, cups, serving plates and platters without metallic trim.
Plastic films and wraps	Plastic wrap, as a cover: <ul style="list-style-type: none"> ■ Lay the plastic wrap loosely over the dish and press it to the sides. ■ Vent plastic wrap by turning back one edge slightly to allow excess steam to escape. ■ The dish should be deep enough so that the plastic wrap will not touch the food.
Microwave-safe plastics	Microwave-safe plastic dishes, cups, semi-rigid freezer containers and plastic bags for short cooking times. Use these with care because the plastic may soften from the heat of the food.
Paper products	Paper towels, wax paper, parchment paper, paper napkins and paper plates with no metallic trim or design. Refer to the manufacturers label for any special instructions for use in the microwave.

¹ These marks are registered trademarks of their respective owners. All other trademarks are trademarks of BSH Home Appliances Corporation or its affiliated companies.

Unsuitable ovenware

Ovenware	Examples
Metal utensils and cookware	Avoid metal in the appliance cavity: <ul style="list-style-type: none"> ■ Metal shields the food from microwave energy and produces uneven cooking. ■ Also avoid metal skewers, thermometers or foil trays. ■ Metal utensils can cause arcing, which can damage your microwave.
Metal decoration	Bowls, cups, serving plates and platters with metallic trim.
Aluminum foil	Avoid large sheets of aluminum foil because they hinder cooking and may cause harmful arcing.

Ovenware	Examples
	Use small pieces of foil to shield poultry legs and wings. Keep ALL aluminum foil at least 1" (25 mm) from the side walls of the appliance cavity and appliance door.
Wood	Wooden bowls and boards will dry out and may split or crack when you use them in the microwave. Baskets made of wood will react in the same way.
Tightly covered cookware	Let steam escape: <ul style="list-style-type: none"> ■ Be sure to leave openings for steam to escape from covered cookware. ■ Pierce plastic pouches of vegetables or other food items before cooking. ■ Tightly closed pouches may explode.
Brown paper	Avoid using brown paper bags. They absorb heat and can burn.
Flawed or chipped cooking utensils	Cracked, flawed or chipped utensils may break in the appliance.
Metal twist ties	Remove metal twist ties from plastic or paper bags. They become hot and could cause a fire.

Testing ovenware for microwave suitability

Perform the following test if you are unsure whether your ovenware is suitable for use in the microwave. Do not turn on the microwave unless there is food inside. This ovenware test is the only exception to this rule.

1. Heat the empty ovenware at maximum power for ½ to 1 minute.
2. Check the temperature occasionally during that time.
 - ✓ The ovenware should still be cold or warm to the touch.
 - ✓ The ovenware is unsuitable if it becomes hot or if sparks are generated.

7 Before using for the first time

Carry out these steps before using your appliance.

- The appliance must be properly installed by a qualified service provider before use.
- Read and understand all safety precautions and information in the Use and Care Manual prior to operating.
- This Use and Care Manual covers several models. Not all features are available on all models.

7.1 Cleaning the appliance before using it for the first time

Note: The appliance must be completely fitted and connected before using it for the first time.

1. Remove all packaging materials from inside and outside the appliance.

2. Before heating the appliance, wipe the surfaces in the appliance cavity with a clean, damp cloth and dry.
3. Clean the accessories using soapy water and a soft dish cloth.

Note: There may be a slight odor during first uses. This is normal and will disappear.

7.2 Applying the program label

- ▶ Apply the included program label in the desired language to the side of the appliance cavity. See the program label for instructions.

7.3 Setting the time of day

The clock can be set in 12-hour mode.

1. Touch **Clock** once.
2. Enter the time using the number keys. The time fills in from right to left.
Example: To set the clock to 12:41 type in 1 2 4 1.
3. Touch **Clock** to confirm.
 - ✓ The time of day is displayed.

8 Basic Operation

8.1 Setting the microwave

Requirement: The appliance is turned off.

1. Enter the desired cooking time with the number keys. The timer display fills in from right to left.
Example: To set a microwave cooking time of 20 minutes and 30 seconds, enter 2 0 3 0.
 - ✓ **START** is blinking on the display.
2. To start microwave operation with the default power level 10 touch **Start/Enter**.
3. To adjust the power level touch **Power Level**.
 - ✓ The default power level **PL 10** is blinking.
 - ✓ The segments of the status bar also indicate the power level.
4. Enter the desired power level using the number keys.
 - ✓ **PL**, the selected power level and **START** are blinking in the display.
5. Touch **Start/Enter** to start microwave operation.
 - ✓ The cook time starts to count down.
 - ✓ When the cook time has run out, 4 beeps sound.
 - ✓ The appliance turns off and the time of day is displayed.

Adding cook time (+ 30 Seconds)

You can add cooking time while the microwave is running.

1. Touch **+ 30 Seconds**.
 - ✓ 30 seconds are added to the cooking time.
2. Touching **+ 30 Seconds** while the appliance is off starts microwave operation at power level 10 with 30 seconds cooking time.

Changing the power level

You can change the microwave power level during operation.

1. Touch **Power Level**

✓ The current power level is blinking.

2. Enter the desired power level using the number keys.

✓ *PL*, the selected power level and **START** are blinking in the display.

3. Touch **Start/Enter** to resume microwave operation.

Opening the appliance door during operation

▶ Opening the appliance door during operation will interrupt the current mode. Close the appliance door and then touch **Start/Enter** to resume operation.

Canceling operation

▶ Touch **Clear/Off**.

✓ The active operating mode is canceled.

✓ The appliance turns off and the time of day is displayed.

✓ The cooling fan may run on for a while and then turn off automatically.

Microwave power levels

Here you can find an overview of the different microwave power settings and when to use them.

Power level	Microwave output	Use for
10	100%	<ul style="list-style-type: none"> ■ Boiling water ■ Cooking ground meat ■ Cooking fresh fruit and vegetables ■ Cooking fish and poultry ■ Preheating browning dish ■ Reheating beverages ■ Cooking bacon slices
9	90%	<ul style="list-style-type: none"> ■ Reheating meat slices quickly ■ Saute onions, celery and green peppers
8	80%	<ul style="list-style-type: none"> ■ All reheating ■ Cooking scrambled eggs
7	70%	<ul style="list-style-type: none"> ■ Cooking breads and cereal products ■ Cooking cheese dishes ■ Cooking muffins, brownies and cupcakes ■ Cooking whole poultry
6	60%	<ul style="list-style-type: none"> ■ Cooking pasta
5	50%	<ul style="list-style-type: none"> ■ Cooking meat ■ Cooking custard ■ Cooking spare ribs, rib roast and sirloin roast
4	40%	<ul style="list-style-type: none"> ■ Cooking less tender cuts of meat ■ Reheating frozen packaged foods ■ Melting chocolate
3	30%	<ul style="list-style-type: none"> ■ Thawing meat, poultry and seafood ■ Cooking small quantities of food ■ Finish cooking casseroles, stews and some sauces
2	20%	<ul style="list-style-type: none"> ■ Softening butter and cream cheese
1	10%	<ul style="list-style-type: none"> ■ Softening ice cream ■ Raise yeast dough

Suggestions for best results when cooking with microwaves

Follow these suggestions to help you achieve the best possible results from your microwave.

Storage temperature	Foods taken from the freezer or refrigerator take longer to cook.
---------------------	---

Size

For even results:


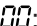
- Small pieces of food cook faster than large ones.
- Cook pieces similar in size and shape cook together.
- Reduce the power level when cooking large pieces of food.

Natural moisture	Very moist foods cook more evenly because microwave energy heats water molecules very efficiently.
Stir foods during cooking	Stir foods, such as casseroles and vegetables, from the outside to the center to distribute the heat more evenly. This will allow the food to cook faster. Constant stirring is not necessary.
Turn food over	Turn over foods, such as pork chops, roasts or whole cauliflower, halfway through the cook time. This will help to expose all sides equally to microwave energy.
Where to place food on the turntable	Place delicate areas of food items, such as asparagus tips, toward the center of the turntable tray.
Arrange unevenly shaped foods	Arrange unevenly shaped foods, such as chicken pieces or salmon, with the thicker or meatier parts toward the outside of the turntable tray.
Let food stand	After removing the food from the microwave: <ul style="list-style-type: none"> ▪ cover the food with foil or a casserole lid and let it stand to finish cooking. This will help the food finish cooking in the center and avoids overcooking the outer edges. ▪ The length of stand time depends on the density and surface area of the food items.
Wrap foods	Wrap sandwiches and other food types containing pre-baked bread in paper towels or wax paper before you place them in the appliance. This helps to prevent the food items from drying out while heating.

8.2 Setting the kitchen timer

You can set a kitchen timer for up to 99 minutes and 59 seconds.

1. Touch **Kitchen Timer (on/off)**.

- ✓  lights up.
- ✓  is blinking.

2. Enter the desired time using the number keys.

The numbers fill in from right to left. To set the timer to 5 minutes and 30 seconds type "5 3 0".

3. Touch **Kitchen Timer (on/off)** to confirm.

- ✓ The kitchen timer starts to count down.
- ✓ When the kitchen timer has elapsed, 4 beeps sound. You can stop the beep by touching **Kitchen Timer (on/off)**.

Canceling the kitchen timer

- ▶ Touch **Kitchen Timer (on/off)** or open the appliance door.

8.3 Operating the vent fan

The vent fan moves steam and other cooking vapors from the cooking surface of the range below the appliance.

- ▶ Touch **Vent (high/low)** repeatedly until you reach the desired vent fan level.

Vent fan level	Touch Vent (high/low) key
4 (Hi)	once
3	twice
2	3 times
1 (Lo)	4 times
OFF	5 times

- ✓  and the vent fan level light up on the display.

Note: If the temperature gets too hot around the appliance, the vent fan will automatically turn on at the lowest setting to cool the appliance. The vent fan will automatically turn off when the internal parts are cool. When this occurs, the vent fan cannot be manually turned off.

8.4 Turning the surface light on or off

The appliance is equipped with a cooking surface light, to light the surface underneath the appliance.

- ▶ Touch **Light** repeatedly until you reach the desired brightness level or turn the surface light off.

Brightness	Touch Light key
High	once
Low	twice
Off	3 times

8.5 Turning the turntable on or off

For best cooking results, leave the turntable on. It can be turned off for large dishes.

CAUTION


The turntable can become hot.

- ▶ Let the turntable cool off after cooking before touching it.


Do not operate the appliance without the turntable in place.

Do not operate an empty appliance.

1. Touch **Turntable (on/off)**.

- ✓  and **OFF** light up briefly.
- ✓ The turntable stops turning.

2. To turn the turntable on again touch **Turntable (on/off)**.

- ✓  and **On** light up briefly.
- ✓ The turntable starts turning.

8.6 Convection cooking

Convection cooking circulates hot air through the appliance cavity with a fan. The constantly moving air surrounds the food to heat the outer portion quickly, creating even browning and sealed-in flavor by the constant motion of hot air over the food surfaces.

CAUTION

The appliance door and exterior and the wire rack become hot during cooking.

- ▶ Always use oven mits.

Cookware recommendations for convection cooking

Always use the convection rack when using the convection mode.

Type of cookware	Recommendations
Metal pans	<ul style="list-style-type: none"> ▪ Recommended for all types of baked products, especially where browning is important. ▪ Dark or dull finish metal pans are best for breads and pies because they absorb heat and produce crisper crust. ▪ Shiny aluminum pans are better for cakes, cookies or muffins because they reflect heat and help produce a light tender crust.

Recommendations for convection cooking

Most baked items require preheating the appliance.

Food	Dish	Temperature in °F (°C)	Cook time in min.
Brownies	Square pan, 9"	325 (165)	25-35
Biscuits	Baking pan, Ø 11"	350-375 (175-190)	7-17
Cookies	Baking pan, Ø 11"	325-350 (165-175)	8-16
Puff pastry	Baking pan, Ø 11"	375 (190)	30-40
Fresh fruit pie	Dark coated pie pan, Ø 8"	350-400 (175-205)	45-60
Dinner rolls	Baking pan, Ø 11"	325-350 (165-175)	15-22
Chicken pieces	Baking pan, Ø 11"	375 (190)	25-35
Fish steak, ½" - 1" thick	Baking pan, Ø 11"	350 (175)	15-25
Pork chops, ½" thick	Baking pan, Ø 11"	400-425 (205-220)	15-20
Frozen pizza, crisp crust	Convection rack	375-425 (190-220)	14-25
Frozen pizza, soft crust	Pizza pan, 12"	400-425 (205-220)	18-25

Type of cookware	Recommendations
Glass or glass-ceramic casseroles or baking dishes	<ul style="list-style-type: none"> ▪ Best suited for egg and cheese recipes due to cleanability of glass.

Setting convection mode

You can set a temperature between 200°F (93°C) and 425°F (220°C).

1. Touch **Convection**.

✓  lights up in the display.

✓ 350°F and **START** are blinking.

2. Enter the desired temperature with the number keys.

3. Touch **Start/Enter**.

✓ The appliance starts preheating. The progress bar begins to fill up.

✓ Do not open the appliance door during preheating.

✓ When preheating is completed, the appliance beeps twice briefly, and the progress bar goes away.

4. Place convection rack and food in the appliance.

Close the door quickly in order to maintain the temperature.

5. To end convection cooking touch **Clear/Off**.

Note: During convection cooking, the vent fan can automatically turn on at the lowest speed setting to cool the appliance components.

8.7 Basic settings

You can configure the basic settings for your appliance to meet your needs.

Basic settings overview

Display	Function	Touch Settings key
<i>Snd</i>	Key sounds <ul style="list-style-type: none"> ▪ On ▪ Off 	Once
<i>Clk</i>	Clock display in standby mode <ul style="list-style-type: none"> ▪ On ▪ Off 	Twice

Changing the basic settings

Note: You can only change one setting at a time. To change another setting, exit the settings menu and start from the top.

1. Touch **Settings**.
 - ✓ *Snd* and *OFF* or *On* alternate on the display.
2. Touch **Settings** again to skip to the next basic setting.
3. Enter the desired setting option with the number keys 1 or 2.
4. Touch **Start/Enter** to confirm.
5. Touch **Clear/Off** to exit the settings menu.

9 Sensor programs

9.1 Auto defrost

With the Auto Defrost feature you can defrost three different types of food by entering the weight. The ideal defrost time will be calculated by the program.

WARNING

To avoid health risk, drain off liquids that will be produced when defrosting meat or poultry when turning the food. Under no circumstances, use these liquids for other purposes, or allow it to come into contact with other foods.

Auto Defrost programs

Program number	Food	Weight range
<i>DEF1</i>	Ground meat	0.5 - 3 lbs
<i>DEF2</i>	Meat pieces, such as steaks, chops	0.5 - 3 lbs
<i>DEF3</i>	Poultry pieces	0.5 - 3 lbs

Recommendations for defrosting

Follow these recommendations for best defrosting results.

- Use a microwavable shallow dish, such as a glass casserole dish or glass plate, but do not cover.
- Always enter the weight in lbs when using the defrost by weight feature (0.1 to 6.0 lbs).
- Use the defrost mode for raw food items only.
- Defrosting gives best results when food to be thawed is a minimum of 0° F, taken directly from a freezer. If the food has been stored in a refrigerator-freezer that does

not maintain a temperature of 5°F or below, always program a lower food weight or lower cook time to prevent cooking the food.

- If the frozen food is stored outside the freezer for up to 20 minutes, enter a reduced cook time or weight.
- The shape of the package will alter the defrosting time. Shallow rectangular food packets defrost more quickly than a deep frozen block of food.
- Separate pieces as they begin to defrost. Separated frozen pieces of food defrost better.
- Shield warm areas of food with small pieces of aluminum foil, if they start to heat up. Use small pieces of aluminum foil to shield food items like chicken wings, leg tips and fish tails. Do not allow aluminum foil to touch the appliance cavity when defrosting.

Tips for stand time

- Leave the defrosted food to stand for an additional 10 to 30 minutes until it reaches an even temperature.
- Large pieces of meat require a longer standing time than smaller pieces.
- Separate flat pieces of meat and items made from ground meat from each other before leaving to stand.
- After this time, you can continue to prepare the food, even though thick pieces of meat may still be frozen in the middle.

Recommendations for defrosting meat

For best results, please read these suggestions when defrosting meat.

Meat	Weight range	Recommendations
Ground meat	0.5 - 3.0 lbs (8 - 48 oz)	After each stage, remove any pieces of food that are nearly defrosted. Let stand covered with foil for 5 to 10 minutes.
Steaks, chops or fish	0.5 - 3.0 lbs (8 - 48 oz)	After each stage, rearrange the food. If there are any warm or thawed portions of food, shield them with narrow pieces of aluminum foil. Remove any pieces of food that are nearly defrosted. Let stand covered for about 5 to 10 minutes.
Chicken pieces	0.5 - 3.0 lbs (8 - 48 oz)	After each stage, rearrange or remove any pieces of food that are nearly defrosted. Let stand covered for 5 to 10 minutes.

9.2 Sensor reheat

With this function you can reheat dinner plates or casseroles from 8 to 12 oz.

Setting Sensor Reheat

1. Place the food on a microwavable dinner plate and cover with vented plastic wrap or wax paper.
2. Touch **Sensor Reheat** once.
 - ✓ **Sr-1** and **START** are blinking in the display.
3. Touch **Sensor Reheat** repeatedly until the desired program number is shown in the display.

Refer to the menu label at the bottom of the appliance cavity or see the program table in this manual.

4. Touch **Start/Enter** to start the sensing process.

Note: Do not open the door during the sensing process, or the program will be canceled.

- ✓ **SENS.** lights up in the display.
 - ✓ When sensing is complete, 2 short beeps sound and the calculated cook time starts to count down.
5. Once the calculated cook time is displayed you can open the door to stir, turn or rearrange the food. Touch **Start/Enter** to resume operation.
 - ✓ When the program is finished 4 beeps sound.
 - ✓ The appliance turns off and the time of day is displayed.

Sensor reheat programs

Program number	Food	Quantity
Sr-1	Dinner plate	1 serving
Sr-2	Casserole, pasta	1 - 4 servings

Recommendations for reheating

Food	Recommendations	Quantity
Dinner plate	<ul style="list-style-type: none"> ■ Use only pre-cooked, refrigerated foods. ■ Cover the plate with vented plastic wrap or waxed paper, tucked under the plate. ■ If the food is not hot enough after heating it with the Sensor Reheat function, continue heating using manual time and power level setting. Includes: <ul style="list-style-type: none"> ■ 3-4 oz. meat, poultry or fish (up to 6 oz. with bone) ■ ½ cup starch (potatoes, pasta, rice, etc.) ■ ½ cup of vegetables (about 3-4 oz.) 	1 serving (1 plate)
Casserole, pasta	<ul style="list-style-type: none"> ■ Use only pre-cooked, refrigerated foods. ■ Cover plate with lid or vented plastic wrap. ■ If the food is not hot enough after heating it with the Sensor Reheat function, continue heating using manual time and power level setting. Includes: <ul style="list-style-type: none"> ■ Casserole: refrigerated foods, such as beef stew or lasagna ■ Pasta: canned spaghetti and ravioli, refrigerated foods 	1 - 4 servings

9.3 Sensor cook

This function allows you to cook many of your favorite foods without selecting cooking times and power levels. The appliance automatically determines the required cooking time for each food item.

For best results:

- Food cooked with the sensor system should start from normal storage temperature.
- Turntable tray, glass tray and outside of the container should be dry.
- Foods should always be covered loosely with microwavable plastic wrap, wax paper or a lid.
- Do not open the door or touch **Clear/Off** during sensing. When sensing is over, the appliance beeps twice and the remaining cooking time appears in the display. **At this time you can open the door to stir, turn or rearrange the food.**

Setting sensor cook

1. Touch **Sensor Cook**.
 - ✓ **5c-1** and **START** are blinking.
2. Touch **Sensor Cook** repeatedly until the desired program number is displayed.
 - Refer to the menu label at the bottom of the appliance cavity or see the program table in this manual.
3. Touch **Start/Enter** to start the sensing process.
 - Note:** Do not open the door during the sensing process, or the program will be canceled.
 - ✓ **SENS.** lights up in the display.
 - ✓ When sensing is complete, 2 short beeps sound and the calculated cook time starts to count down.
4. Once the calculated cook time is displayed you can open the door to stir, turn or rearrange the food. Touch **Start/Enter** to resume operation.
 - ✓ When the program is finished 4 beeps sound.
 - ✓ The appliance turns off and the time of day is displayed.

Sensor cook programs

Program number	Food	Quantity	Cooking recommendations
5c-1	Baked potato	1-4 potatoes (8-32 oz.)	After cooking, allow to stand wrapped in foil for 5 minutes.
5c-2	Sweet potato	1-4 potatoes (8-32 oz.)	After cooking, allow to stand wrapped in foil for 5 minutes.
5c-3	Fresh vegetables	8-24 oz. (0.5-1.5 lbs)	No water is needed if vegetables have just been washed. Add 2 tablespoons of water per 8 oz. of fresh vegetables.
5c-4	Frozen vegetables	8-24 oz. (0.5-1.5 lbs)	Add 1 tablespoon of water per 4 oz. of frozen vegetables.
5c-5	Ground meat	8-24 oz. (0.5-1.5 lbs)	After cooking, allow to stand covered for 3-4 minutes.

Program number	Food	Quantity	Cooking recommendations
5c-5	Fish/Seafood	8-24 oz. (0.5-1.5 lbs)	Roll thin edges underneath. Arrange in a ring around a microwavable dish.
5c-7	Brown rice	0.5-2 cups dry rice	Use a high-sided casserole dish. Do not cover. Use 1 cup of rice to 3 cups of water.
5c-8	White rice	0.5-2 cups dry rice	Use a high-sided casserole dish and lid. Use 1 cup of rice to 2 cups of water.
5c-9	Frozen entrees	-	Follow package instructions for venting, cutting plastic film, etc.

10 Convenience operation

10.1 Beverage

With the beverage feature you can heat between 0.5 and 2 cups of a beverage.

Amount	Touch Beverage key
0.5 cups, about 8 oz.	Once
1 cup, about 16 oz.	Twice
1.5 cups, about 24 oz.	3 times
2 cup, about 32 oz.	4 times

Setting the beverage feature


Example: Heat 1 cup of a beverage.

CAUTION

Beverages heated with the beverage feature may be very hot.

- ▶ Remove the container with care.

Requirement: Use a microwave-safe measuring cup or mug; do not cover.

1. Touch **Beverage** twice.
 - ✓  and **START** are blinking.
2. Touch **Start/Enter**.
 - ✓ When the program is finished 4 beeps sound.
 - ✓ The appliance turns off and the time of day is displayed.
3. Stir after heating.

Note: Let the appliance cool for at least 5 minutes before using it again.

10.2 Popcorn

The popcorn feature lets you pop 3 different bag sizes of commercially packaged microwave popcorn.

Bag size	Touch Popcorn key
1.2 oz	Once
2.5 oz	Twice
3.5 oz	3 times

Setting the popcorn feature


Example: Pop a 3.5 oz. bag of popcorn.

CAUTION

Do not leave the appliance unattended while popping corn. Popcorn may ignite and cause fire.

CAUTION

Use caution when removing and opening the hot popcorn bag from the appliance.

1. Touch **Popcorn** 3 times.
 - ✓  and **START** are blinking.
2. Touch **Start/Enter**.
 - ✓ When the program is finished 4 beeps sound.
 - ✓ The appliance turns off and the time of day is displayed.

Notes

- Let the appliance cool for at least 5 minutes before using it again.
- Cook one "microwave-only" bag of popcorn at a time.

10.3 Keep warm

You can keep cooked food warm in your microwave for up to 60 minutes.



- Use the keep warm mode to keep cooked foods hot and ready to serve.
- Food cooked covered should remain covered during keep warm.
- Pastry items, such as pies and turnovers should be uncovered.
- Complete meals kept warm on a dinner plate can be covered during keep warm.

Setting the keep warm feature

CAUTION

WHEN USING KEEP WARM MODE, FOLLOW THESE GUIDELINES:

- ▶ Do not use the Keep Warm mode to heat cold food.
- ▶ Be sure to maintain proper food temperature. The USDA recommends holding hot food at 140°F (60°C) or warmer.
- ▶ DO NOT warm food longer than one hour.

1. Touch **Keep Warm**.
 - ✓  lights up in the display.
 - ✓  is blinking.
2. Enter the desired time with the number keys.

3. Touch **Start/Enter**.

✓ When the time has elapsed the appliance beeps.

4. Touch **Clear/Off** to stop the beep.

10.4 More modes

With the **More Modes** touch key you can access additional convenient programs.

Mode number	Name	Input
1	Melt butter	<ul style="list-style-type: none"> ■ 1 = 2 tablespoons ■ 2 = 1/4 cup ■ 3 = 1/2 cup
2	Melt chocolate	<ul style="list-style-type: none"> ■ 1 = 1 cup ■ 2 = 2 cups
3	Soften ice cream	<ul style="list-style-type: none"> ■ 1 = 4 oz. ■ 2 = 8 oz. ■ 3 = 16 oz. ■ 4 = 32 oz. ■ 5 = 48 oz.
4	Soften cream cheese	<ul style="list-style-type: none"> ■ 1 = 3 oz. ■ 2 = 6 oz. ■ 3 = 8 oz.
5	Time defrost	Enter defrost time

Setting more modes

1. Touch **More Modes** once.

✓ **i** and **START** are blinking.

2. Touch **More Modes** repeatedly until the desired program number is displayed.

Refer to the menu label at the bottom of the appliance cavity or see the program table in this manual.

3. Touch **Start/Enter**

✓ For modes 1 to 4: **i** and **START** are blinking.

✓ For mode 5: **00:00** is blinking.

4. For mode 1-4: Enter the desired weight category. For mode 5: Enter the desired defrost time with the number keys.

5. Touch **Start/Enter**.

✓ When the program is finished 4 beeps sound.

✓ The appliance turns off and the time of day is displayed.

11 Cooking charts

The charts can be used as a guide. Follow package or recipe directions.

11.1 Cooking meat in your microwave

- Place prepared meats on a microwave-safe roasting rack in a microwave-safe dish.
- Start cooking the meat fat side down.
- If necessary, use narrow strips of aluminum foil to shield any bone tips or thin meat areas.
- After cooking, check the temperature in several places before letting the meat stand the recommended time.
- The temperatures in the following charts are temperatures at removal time; the temperature will rise during the standing period.
- Follow the recommendations for stand time.
→ "Stand time", Page 26

Meat	Power level	Cook time	Directions
Roast beef, boneless up to 4 lbs.	10 - High, for first 5 minutes then 5 - Medium	For 160°F (71°C) - medium: ■ 12-17 min./lb. For 170°F (76°C) - well-done: ■ 14-19 min./lb.	<ul style="list-style-type: none"> ■ Place the roast beef fat-side down on a roasting rack. ■ Cover with wax paper. ■ Turn over half way through cooking. ■ Let stand for 10–15 minutes.¹
Roast pork, boneless or bone-in up to 4 lbs.	10 - High, for first 5 minutes then 5 - Medium	For 170°F (76°C) - well-done: ■ 14-19 min./lb.	<ul style="list-style-type: none"> ■ Place the roast pork fat-side down on a roasting rack. ■ Cover with wax paper. ■ Turn over half way through cooking. ■ Let stand for 10–15 minutes.¹

¹ Expect a 10°F (6°C) rise in the temperature during the standing period.

11.2 Cooking poultry in your microwave

- Place the poultry on a microwave-safe roasting rack in a microwave-safe dish.
- Cover poultry with wax paper to prevent splattering.
- Use narrow strips of aluminum foil to shield any bone tips or thin meat areas, or areas that start to overcook.
- After cooking, check the temperature in several places before letting the meat stand the recommended time.
- Follow the recommendations for stand time.
→ "Stand time", Page 26

Meat	Power level	Cook time	Temperature	Directions
Whole chicken up to 4 lbs.	7 - Medium high	7-10 min./lb.	<ul style="list-style-type: none"> ■ 170°F (76°C) for dark meat ■ 160°F (71°C) for light meat 	<ul style="list-style-type: none"> ■ Place the chicken breast-side down on the roasting rack. ■ Cover with wax paper. ■ Turn over half way through cooking. ■ Cook until juices run clear and the meat near the bone is no longer pink. ■ Let stand for 10–15 minutes
Chicken pieces up to 4 lbs.	7 - Medium high	7-10 min./lb.	<ul style="list-style-type: none"> ■ 170°F (76°C) for dark meat ■ 160°F (71°C) for light meat 	<ul style="list-style-type: none"> ■ Place the chicken bone-side down on the dish, with the thickest portions toward the inside of the dish. ■ Cover with wax paper. ■ Turn over half way through cooking. ■ Cook until juices run clear and the meat near the bone is no longer pink. ■ Let stand for 10–15 minutes

11.3 Stand time

Follow these guidelines for stand time for safe cooking results.

Meat	Doneness	Remove from appliance	After standing for 10-15 min.
		Temperature in °F (°C)	Temperature in °F (°C)
Beef	Medium	150 (65)	160 (71)
	Well done	160 (71)	170 (77)
Pork	Medium	150 (65)	160 (71)
	Well done	160 (71)	170 (77)
Poultry	Dark meat	170 (77)	180 (82)
	Light meat	160 (71)	170 (77)

11.4 Cooking eggs in your microwave

- Never cook eggs in the shell and never warm hard-cooked eggs in the shell; they can explode.
- Always pierce the yolk on whole eggs to keep them from bursting.
- Cook eggs just until set; they will become tough if overcooked.
- Cooking scrambled eggs is safe.

11.5 Cooking vegetables in your microwave

- Wash the vegetables just before cooking. Extra water is rarely needed. If dense vegetables such as potatoes or carrots are being cooked, add about ¼ cup of water.
- Small vegetables, such as sliced carrots, peas or lima beans, will cook faster than larger vegetables.

- Whole vegetables, such as potatoes, acorn squash, corn on the cob, etc., should be arranged in a circle on the turntable before cooking. They will cook more evenly if turned over halfway through cooking.
- Always place vegetables like asparagus and broccoli with the stem ends pointing towards the edge of the dish and the tips toward the center.
- When cooking cut vegetables, always cover the dish with a lid or vented microwavable plastic wrap.
- For whole, unpeeled vegetables, such as potatoes, sweet potatoes, squash, eggplant, etc., prick the skin of the vegetables in several locations before cooking to prevent them from bursting.
- For more even cooking, stir or rearrange whole vegetables halfway through the cook time.
- The denser the food, the longer the required standing time. For example, a baked potato should stand for 5 minutes before serving, while a dish of peas may be served immediately.

11.6 Cooking seafood in your microwave

- Be sure to place fish on a microwave-safe roasting rack in a microwave-safe dish.
- Be sure to always cook fish until it flakes easily with a fork.

- Use a tight cover to steam fish; a lighter cover of wax paper or paper towel provides less steaming.
- Be sure not to overcook fish; check it for doneness at the minimum cooking time before cooking longer.

Seafood	Power level	Cook time	Directions
Fish steaks up to 1½ lbs.	7 - Medium high	7-11 min./lb.	<ul style="list-style-type: none"> Arrange the fish on a roasting rack with the meaty portions towards the outside of the rack. Cover with wax paper. Turn over and rearrange halfway through cook time. Cook until the fish flakes easily with fork. Let stand for 3-5 minutes
Fish fillets up to 1½ lbs.	7 - Medium high	7-11 min./lb.	<ul style="list-style-type: none"> Arrange fillets in a baking dish, turning any thin pieces under. Cover with wax paper. If over ½" thick, turn over and rearrange halfway through the cook time. Cook until the fish flakes easily with fork. Let stand for 2-3 minutes

Seafood	Power level	Cook time	Directions
Shrimp up to 1½ lbs.	7 - Medium high	7-11 min./lb.	<ul style="list-style-type: none"> ■ Arrange shrimp in a baking dish without overlapping or layering. ■ Cover with wax paper. ■ Cook until firm and opaque. Stir 2 or 3 times during cooking. ■ Let stand for 5 minutes

12 Cleaning and maintenance

To keep your appliance working efficiently for a long time, it is important to clean and maintain it carefully.

12.1 Cleaning agents

Only use suitable cleaning agents to avoid damage to the appliance surfaces.

Brand names

- The use of brand names is intended only to indicate a type of cleaner. This does not constitute an endorsement.
- The omission of any brand name cleaner does not imply its adequacy or inadequacy.
- Many products are regional in distribution and can be found in local markets.

Cleaning recommendations

Clean only those parts of you appliance that are listed in the cleaning chart.

- Take special care to keep the inner door panel and appliance front frame free of food and grease build-up.
- Never use abrasive scouring powder or pads.
- Wipe spatters immediately with a wet paper towel, especially after cooking greasy foods like chicken or bacon.
- Clean your appliance weekly or more often, if needed.
- Never operate the appliance without food in the appliance cavity; this can damage the magnetron tube or glass tray.
- You may leave a cup of water standing inside the appliance when it is not in use to prevent damage if the appliance is accidentally turned on.

Part	Suitable cleaning method	Recommendations
Appliance cavity	<ul style="list-style-type: none"> ■ Wipe up spills immediately. ■ Clean with a damp, clean cloth and mild soap. ■ To help loosen baked-on food particles or liquids: <ul style="list-style-type: none"> – Heat 2 cups of water in a 4 cup microwave-safe dish at power level 10 for 5 minutes or until boiling. – You may add the juice of 1 lemon if you desire to keep the appliance fresh smelling. – Let it stand in the appliance cavity for 1 or 2 minutes. 	<ul style="list-style-type: none"> ■ Keep the appliance cavity clean. Food particles and spilled liquids can stick to the appliance cavity walls, causing the appliance to work less efficiently. ■ DO NOT use harsh detergents or abrasive cleaners. ■ Remove the glass turntable tray from the appliance when cleaning the appliance cavity.

¹ These marks are registered trademarks of their respective owners. All other trademarks are trademarks of BSH Home Appliances Corporation or its affiliated companies.

Part	Suitable cleaning method	Recommendations
Wire rack	<ul style="list-style-type: none"> Wash with soapy water. Rinse thoroughly and dry, or gently rub with cleansing powder or soap-filled pads as directed. 	
Glass turntable	<ul style="list-style-type: none"> Wash in warm soapy water or in the dishwasher. 	<ul style="list-style-type: none"> Let the glass turntable cool off before handling it. Remove the glass turntable from the appliance cavity for cleaning. DO NOT put the glass turntable in water immediately after cooking; it may break.
Turntable roller rest	<ul style="list-style-type: none"> Clean with warm, soapy water. Rinse thoroughly and dry. 	
Door glass	<ul style="list-style-type: none"> Wash with soap and water or glass cleaner, or apply all purpose cleaner on a clean sponge or paper towel and wipe clean. If steam accumulates inside or outside the appliance door, wipe it off with a soft cloth. Steam can accumulate when operating the appliance in high humidity. This does in no way indicate microwave leakage. 	<ul style="list-style-type: none"> Do not use abrasive cleaners, like powder cleaning agents, steel wool pads and oven cleaners.
Painted surfaces	<ul style="list-style-type: none"> Clean with hot soapy water or apply all purpose cleaner to a clean sponge or paper towel and wipe clean. 	<ul style="list-style-type: none"> Do not use abrasive cleaners, like powder cleaning agents, steel wool pads and oven cleaners.
Stainless steel surfaces	<ul style="list-style-type: none"> Clean with a soapy sponge, then rinse and dry, or wipe with Fantastik® sprayed on a paper towel. Protect and polish with Stainless Steel Magic® and a soft cloth. Remove water spots with a cloth dampened with white vinegar. 	<ul style="list-style-type: none"> Always wipe or rub in the direction of the grain. DO NOT use any cleanser that contains chlorine as these may rust the stainless steel.
Plastic and controls	<ul style="list-style-type: none"> When cool, clean with soapy water, rinse and dry. 	
Printed areas (words and numbers)	<ul style="list-style-type: none"> Clean with soapy water, rinse and dry. 	<ul style="list-style-type: none"> DO NOT use abrasive cleaners or petroleum based solvents.

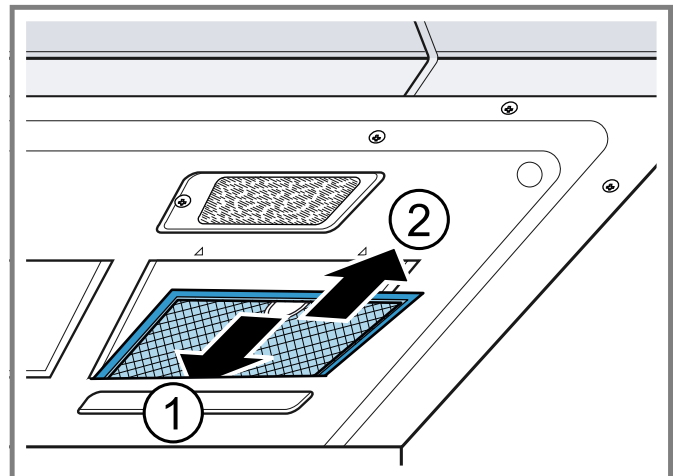
12.2 Cleaning the vent filters

The vent filters should be removed and cleaned frequently, generally at least once every month.

⚠ CAUTION

To avoid risk of personal injury or property damage, do not operate the vent without the filters properly in place.

- To remove the vent filters, slide the filter to the rear. Then pull the filter downward and push it to the other side. The filter drops out. Repeat for the second filter.



- Soak the vent filters in hot water using a mild detergent. Rinse well and shake to dry.

Note: Do not use ammonia or wash in a dishwasher.
The aluminum on the filter will corrode and darken.

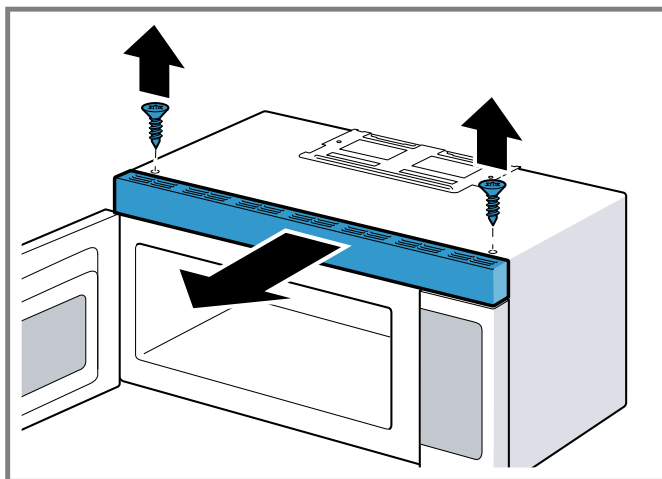
- To reinstall an appliance vent filter, slide it into the side slot, then push up and toward appliance to lock.
Reinstall the second filter using the same procedure.

12.3 Replacing the odor filter

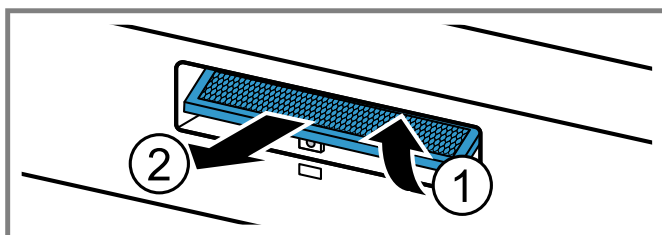
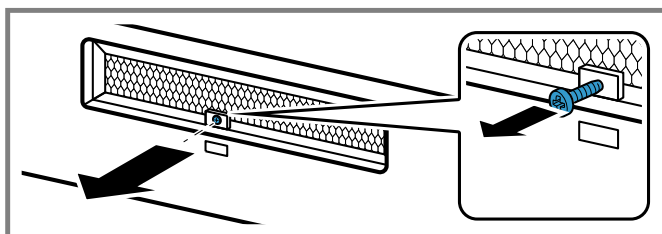
The odor filter enclosed with your appliance is used for non-vented, recirculated installation, that means room venting. The filter should be changed every 6 to 12 months depending on use.

Note: If you do not install a odor filter, it is not possible to bind the odorous substances in the cooking vapors. Replacement odor filter can be purchased from the Bosch eshop www.bosch-home.com/us/shop, Part number **00755547**.

- Disconnect power to the appliance at the circuit breaker panel or by unplugging.
- Remove the vent grill mounting screws.
- Pull the vent grill away from the appliance.



- Remove the screw at the front of the odor filter. Push the odor filter up tilting it slightly towards the back, then lift it out.



- Put in a new odor filter.
- Carefully push the vent grill back into place and replace the screws removed previously.

13 Troubleshooting

You can eliminate minor issues on your appliance yourself. Please read the information on eliminating issues before contacting Customer Service. This may avoid unnecessary repair visits.

⚠ WARNING

Improper repairs are dangerous.

- ▶ Only authorized service providers should repair the appliance.

- ▶ If the power cord or the appliance power cable of this appliance becomes damaged, it must be replaced with a special power cord or special appliance power cable, which is available from the manufacturer or the manufacturer's Customer Service.
- ▶ Only original spare parts may be used to repair the appliance.
- ▶ If the appliance has an issue, call Customer Service.

Issue	Cause and troubleshooting
Appliance and display not working	<p>There is no power supply to the appliance</p> <ul style="list-style-type: none"> ▶ Ensure that the unit's power cord is fully plugged into the power outlet and the circuit breaker has not tripped. ▶ Reset the household circuit breaker or replace any tripped circuit breakers or fuses. ▶ Remove the plug from the outlet, wait 10 seconds, then plug the appliance in again. ▶ Plug a different appliance into the power outlet. If the other appliance does not operate, have a qualified electrician repair the outlet. ▶ Plug the appliance into a different power outlet.
Display is working, but appliance does not operate	<p>The appliance door is not fully closed</p> <ol style="list-style-type: none"> 1. Check the appliance door for obstructions. 2. Check to see if the hinge is bent. <hr/> <p>The door seal is dirty</p> <ul style="list-style-type: none"> ▶ Check to see if packing material or other materials are stuck to the door seal. <hr/> <p>The appliance door is damaged</p> <ul style="list-style-type: none"> ▶ Check the appliance door for damage. Do not operate the appliance if the door is damaged. <hr/> <p>The settings were entered incorrectly</p> <ul style="list-style-type: none"> ▶ Press Clear/Off twice and enter the desired settings again.
Power goes off before the cook time has elapsed	<p>The time settings are incorrect</p> <ul style="list-style-type: none"> ▶ Press Clear/Off twice and enter the desired settings again. ▶ Reset the clock and enter the desired settings again. <hr/> <p>There is no power supply to the appliance</p> <ol style="list-style-type: none"> 1. Check circuit breaker or fuse box to your house. 2. Make sure there is proper electrical power to the appliance.
Food is cooking too slowly	<p>The voltage reaching the appliance might be too low.</p> <ol style="list-style-type: none"> 1. Make sure the appliance is on a separate 20 amp circuit line. Operating another appliance on the same circuit can cause a voltage drop. 2. If necessary, connect the appliance to its own circuit.
Sparks or arcing in the appliance cavity	<p>There are metallic objects in the appliance cavity</p> <ol style="list-style-type: none"> 1. Remove any metallic utensils, cookware or metal ties from the appliance cavity. 2. If you use aluminum foil, use only narrow strips and allow at least 1" (2.5 cm) between the foil and the appliance cavity walls.
Turntable makes noises or sticks	<p>There is dirt on the underside of the turntable or the roller ring</p> <ul style="list-style-type: none"> ▶ Clean the turntable, roller ring and appliance cavity bottom. <hr/> <p>The turntable and roller ring are not seated properly</p> <ul style="list-style-type: none"> ▶ Make sure the turntable and roller ring are positioned correctly.

Issue	Cause and troubleshooting
Using the microwave causes TV or radio interference	Similar interference is caused by other small appliances, such as hairdryers <ul style="list-style-type: none"> ▶ Move other appliances like your TV or radio further away from your microwave.
LED lights are not working	The LED lamps are defective. <ul style="list-style-type: none"> ▶ Call → "Customer Service", Page 31.

14 Disposal

14.1 Disposal of your old appliance

Environmentally compatible disposal allows valuable raw materials to be recycled.

1. Unplug the appliance from the power supply.
2. Cut through the power cord.
3. Dispose of the appliance in an environmentally responsible manner.

Information about current disposal methods can be obtained from your specialist dealer or local authority.

15 Customer Service

With any warranty repair, we will make sure your appliance is repaired by an authorized service provider using genuine replacement parts. We use only genuine replacement parts for all repairs.

Detailed information on the warranty period and terms of warranty can be found in the Statement of Limited Product Warranty, from your retailer, or on our website.

If you contact Customer Service, you will need the model number (E-Nr.) and the production number (FD) of your appliance.

The LED light sources are available as a spare part and should only be replaced by an authorized service provider.

USA:

1-800-944-2904
www.bosch-home.com/us/owner-support/get-support
www.bosch-home.com/us/shop

CA:

1-800-944-2904
www.bosch-home.ca/en/service/get-support
www.bosch-home.ca/en/service/cleaners-and-accessories

15.1 Model number (E-Nr.) and production number (FD)

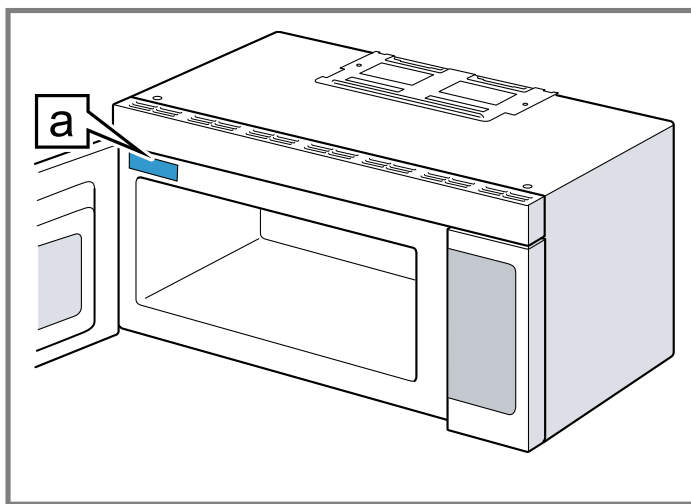
You can find the model number (E-Nr.) and the production number (FD) on the appliance's rating plate.



Making a note of your appliance's details and the Customer Service telephone number will enable you to find them again quickly.

15.2 Rating plate location

You can find the rating plate of your appliance at the left side of the door trim.



a Rating plate

16 STATEMENT OF LIMITED PRODUCT WARRANTY

16.1 What this warranty covers & Who it applies to

The limited warranty provided by BSH Home Appliances ("Bosch") in this Statement of Limited Product Warranty applies only to the Bosch appliance sold to you ("Product"), provided that the Product was purchased:

- For your normal, household (non-commercial) use, and has in fact at all times only been used for normal household purposes.
- New at retail from a BSH authorized dealer or directly from BSH (not a display, "as is", or previously returned model), and not for resale, or commercial use.
- Within the United States or Canada, and has at all times remained within the country of original purchase.

The warranties stated herein apply to the original purchaser of the product warranted herein and to each succeeding owner of the product purchased for ordinary home use during the term of the warranty.

Please make sure to register your Product; while not necessary to effectuate warranty coverage, it is the best way for Bosch to notify you in the unlikely event of a safety notice or product recall.

16.2 How long the warranty lasts

Bosch warrants that the Product is free from defects in materials and workmanship for a period of three hundred and sixty-five (365) days from the date of the original delivery. The foregoing timeline begins to run upon the date of the original delivery, and shall not be stalled, tolled, extended, or suspended, for any reason whatsoever. This Product is also warranted to be free from **cosmetic** defects in material and workmanship (such as scratches of stainless steel, paint/porcelain blemishes, chips, dents, or other damage to the finish) of the Product, for a period of thirty (30) days from the date of delivery or closing date for new construction. This **cosmetic** warranty excludes slight color variations due to inherent differences in painted and porcelain parts, as well as differences caused by kitchen lighting, product location, or other similar factors. This **cosmetic** warranty specifically excludes any display, floor, "As Is", or "B" stock appliances.

16.3 Repair/replace as your exclusive remedy

During this warranty period, Bosch or one of its authorized service providers will repair your Product without charge to you (subject to certain limitations stated herein) if your Product proves to have been manufactured with a defect in materials or workmanship. If reasonable attempts to repair the Product have been made without success, then Bosch will replace your Product (upgraded models may be available to you, in Bosch's sole discretion, for an additional charge). Nothing in this warranty requires damaged or defective parts to be replaced with parts of a different type or design than the original part. All removed parts and components shall become the property of Bosch at its sole option. All replaced and/or repaired parts shall assume the identity of the original part for purposes of this warranty and this warranty shall not be extended with respect to such parts. Bosch's sole liability and responsibility hereunder is to repair manufacturer-defective Product only, using a Bosch authorized service provider during normal business hours. For safety and property damage concerns, Bosch highly recommends that you do not attempt to repair the Product yourself, or use a non-authorized service provider; Bosch will have no responsibility or liability for damage resulting from repairs or work performed by a non-authorized service provider. Authorized service providers are those persons or companies that have been specially trained on Bosch products, and who possess, in Bosch's opinion, a superior reputation for customer service and technical ability (note that they are independent entities and are not agents, partners, affiliates or representatives of Bosch). Nevertheless, taking your product to be serviced by a repair shop that is not affiliated with or an authorized dealer of Bosch will not void this warranty. Also, using third-party parts will not void this warranty. Notwithstanding the foregoing, Bosch will not incur any liability, or have responsibility, for the Product if it is located in a remote area (more than 100 miles from an

authorized service provider) or is reasonably inaccessible, hazardous, threatening, or treacherous locale, surroundings, or environment; in any such event, if you request, Bosch would still pay for labor and parts and ship the parts to the nearest authorized service provider, but you would still be fully liable and responsible for any travel time or other special charges by the service company, assuming they agree to make the service call. Further, to the extent you have installed the Product in a difficult-to-access location or have otherwise installed temporary or permanent fixtures that create barriers to accessing or removing the Product, Bosch will not incur any liability for, or have responsibility, for work or costs associated with moving the Product or otherwise creating access to the Product in order to repair or replace it. All such costs shall be your sole responsibility.

16.4 Out of warranty product

Bosch is under no obligation, at law or otherwise, to provide you with any concessions, including repairs, prorates, or Product replacement, once this warranty has expired.

16.5 Warranty exclusions

The warranty coverage described herein excludes all defects or damage that are not the direct fault of Bosch, including without limitation, one or more of the following:

- Use of the Product in anything other than its normal, customary and intended manner (including without limitation, any form of commercial use, use or storage of an indoor product outdoors, use of the Product in conjunction with air or water-going vessels).
- Any party's willful misconduct, negligence, misuse, abuse, accidents, neglect, improper operation, failure to maintain, improper or negligent installation, tampering, failure to follow operating instructions, mishandling, unauthorized service (including selfperformed "fixing" or exploration of the appliance's internal workings).
- Adjustment, alteration or modification of any kind.
- A failure to comply with any applicable state, local, city, or county electrical, plumbing and/or building codes, regulations, or laws, including failure to install the product in strict conformity with local fire and building codes and regulations.
- Ordinary wear and tear, spills of food, liquid, grease accumulations, or other substances that accumulate on, in, or around the Product.
- Any external, elemental and/or environmental forces and factors, including without limitation, rain, wind, sand, floods, fires, mud slides, freezing temperatures, excessive moisture or extended exposure to humidity, lightning, power surges, structural failures surrounding the appliance, and acts of God.
- Service calls to correct the installation of your Product, to instruct you how to use your Product, to replace house fuses or correct house wiring or plumbing.
- Removal and replacement of trim or decorative panels that interfere with servicing the Product.

- Damage or defects caused by labor or parts installed by any non-authorized service provider, unless approved by Bosch before service is performed.

In no event shall Bosch have any liability or responsibility whatsoever for damage to surrounding property, including cabinetry, floors, ceilings, and other structures or objects around the Product. Also excluded from this warranty are Products, on which the serial numbers have been altered, defaced, or removed; service visits to teach you how to use the Product, or visits where there is nothing wrong with the Product; correction of installation problems (you are solely responsible for any structure and setting for the Product, including all electrical, plumbing or other connecting facilities, for proper foundation/flooring, and for any alterations including without limitation cabinetry, walls, floors, shelving, etc.); and resetting of breakers or fuses. TO THE EXTENT ALLOWED BY LAW, THIS WARRANTY SETS OUT YOUR EXCLUSIVE REMEDIES WITH RESPECT TO PRODUCT, WHETHER THE CLAIM ARISES IN CONTRACT OR TORT (INCLUDING STRICT LIABILITY, OR NEGLIGENCE) OR OTHERWISE. THIS WARRANTY IS IN LIEU OF ALL OTHER WARRANTIES, WHETHER EXPRESS OR IMPLIED. ANY WARRANTY IMPLIED BY LAW, WHETHER FOR MERCHANTABILITY OR FITNESS FOR A PARTICULAR PURPOSE, OR OTHERWISE, SHALL BE EFFECTIVE ONLY FOR THE PERIOD THAT THIS EXPRESS LIMITED WARRANTY IS EFFECTIVE. IN NO EVENT WILL THE MANUFACTURER BE LIABLE FOR CONSEQUENTIAL, SPECIAL, INCIDENTAL, INDIRECT, "BUSINESS LOSS", AND/OR PUNITIVE DAMAGES, LOSSES, OR EXPENSES, INCLUDING WITHOUT LIMITATION TIME AWAY FROM WORK, HOTELS AND/OR RESTAURANT MEALS, REMODELLING EXPENSES IN EXCESS OF DIRECT DAMAGES WHICH ARE DEFINITELY CAUSED EXCLUSIVELY BY BOSCH, OR OTHERWISE. SOME STATES DO NOT ALLOW THE EXCLUSION OR LIMITATION OF INCIDENTAL OR CONSEQUENTIAL DAMAGES, AND SOME STATES DO NOT ALLOW LIMITATIONS ON HOW LONG AN IMPLIED WARRANTY LASTS, SO THE ABOVE EXCLUSIONS OR LIMITATIONS MAY NOT APPLY TO YOU. THIS WARRANTY GIVES YOU SPECIFIC LEGAL RIGHTS, AND YOU MAY ALSO HAVE OTHER RIGHTS WHICH VARY FROM STATE TO STATE.

No attempt to alter, modify or amend this warranty shall be effective unless authorized in writing by an officer of BSH.

16.6 Obtaining warranty service

To obtain warranty service for your product, you should contact Bosch Customer Support at 1-800-944-2904 to schedule a repair.

16.7 Product information

For handy reference, copy the information below from the rating plate. Keep your invoice and/or delivery documents for warranty validation.

Model number (E-Nr.)

Production number
(FD)

Date of delivery

Table des matières

1 Énergie micro-ondes	35	9 Programmes du capteur	54
2 IMPORTANTES CONSIGNES DE SÉCURITÉ	36	9.1 Décongélation automatique	54
2.1 Définitions des termes de sécurité	36	9.2 Capteur de réchauffage	55
2.2 Sécurité du micro-ondes	36	9.3 Cuisson par capteur	56
2.3 Utilisation sécuritaire	36	10 Fonctionnement commode	57
2.4 INSTRUCTIONS DE MISE À LA TERRE	37	10.1 Boisson	57
2.5 Interférences TV/Radio	38	10.2 Popcorn.....	57
2.6 Sécurité des enfants	38	10.3 Garder au chaud	58
2.7 Sécurité de nettoyage	38	10.4 Autres modes	58
2.8 Sécurité de cuisson.....	39	11 Tableaux de cuisson	59
2.9 En cas d'incendie	39	11.1 Cuisson de la viande au micro-ondes.....	59
2.10 Liquides	39	11.2 Cuisson de la volaille au micro-ondes	59
2.11 Cuisson d'articles	40	11.3 Temps de repos	60
2.12 Ustensiles de cuisson	41	11.4 Cuisson des œufs dans le micro-ondes.....	60
2.13 Plateau en verre/anneau de plateau tournant	41	11.5 Cuisson de légumes dans votre micro-ondes	60
2.14 Fonctionnement en mode d'échappement.....	42	11.6 Cuisson de fruits de mer dans le micro-ondes.....	60
2.15 Pacemakers	42	12 Nettoyage et entretien	61
2.16 Fonctionnement du moteur du ventilateur	42	12.1 Produits de nettoyage	61
2.17 Ventilation de la pièce avec filtre anti-odeurs	42	12.2 Nettoyage des filtres de ventilation.....	63
2.18 Mises en garde conformément à la proposition 65 de l'État de Californie	42	12.3 Remplacement du filtre anti-odeurs	63
3 Prévenir les bris matériels	43	13 Dépannage	65
3.1 Généralités	43	14 Élimination	66
4 Protection de l'environnement et économies	43	14.1 Éliminer un appareil usagé	66
4.1 Mise au rebut de l'emballage	43	15 Service à la clientèle	66
4.2 Économie d'énergie	43	15.1 Numéro de modèle (E-Nr.) et numéro de fabrication (FD)	66
5 Description de l'appareil	44	15.2 Emplacement de la plaque signalétique	66
5.1 Électroménager.....	44	16 ÉNONCÉ DE LA GARANTIE LIMITÉE DU PRODUIT	67
5.2 Panneau de commande	45	16.1 Couverture de la garantie limitée.....	67
6 Accessoires	47	16.2 Durée de la garantie.....	67
6.1 Montage du plateau tournant du plateau en verre ...	47	16.3 Réparation ou remplacement : votre recours exclusif	67
6.2 Utiliser la grille.....	48	16.4 Produit hors garantie	68
6.3 Utilisation de la grille de convection	48	16.5 Exclusions de garantie	68
6.4 Guide des ustensiles pour micro-ondes	48	16.6 Obtention du service de garantie.....	69
7 Avant d'utiliser pour la première fois	49	16.7 Information sur le produit.....	69
7.1 Nettoyage de l'appareil avant sa première utilisation.....	49		
7.2 Application de l'étiquette du programme	50		
7.3 Réglage de l'heure du jour	50		
8 Opération de base	50		
8.1 Réglage du micro-ondes	50		
8.2 Réglage de la minuterie de cuisine	52		
8.3 Fonctionnement du ventilateur de la ventilation.....	52		
8.4 Allumer ou éteindre l'éclairage de surface.....	52		
8.5 Allumer ou éteindre la plaque tournante.....	52		
8.6 La cuisson à convection.....	52		
8.7 Réglages de base	54		

1 Énergie micro-ondes

▲ MESURES DE PRÉCAUTION POUR ÉVITER L'EXPOSITION EXCESSIVE À L'ÉNERGIE MICRO-ONDE

(1) Lorsque vous faites fonctionner l'appareil, ne laissez pas la porte de l'appareil ouverte car l'exposition à l'énergie micro-onde peut être nocive. Il est important de ne pas endommager les verrous de sécurité et de ne pas essayer de les forcer.

(2) Aucun objet ne doit empêcher la porte de l'appareil de bien se refermer et ne laissez pas les résidus d'aliments ou de produit d'entretien s'accumuler sur les joints d'étanchéité.

(3) Ne faites pas fonctionner l'appareil s'il est endommagé. Il est particulièrement important que la porte de l'appareil puisse être refermée correctement, et donc que les pièces suivantes ne soient pas endommagées :

- poerte(bosselée)
- charnières et loquets (brisés ou desserrés)
- joints de porte et surfaces d'étanchéité.

(4) Confier toute réparation ou réglage uniquement à un personnel autorisé par l'usine. Toute installation, réparation ou maintenance inadéquate peut entraîner des blessures ou des dommages matériels. Se reporter à ce manuel pour obtenir des conseils sur la façon de procéder. Toute réparation doit être confiée à un centre de service agréé par l'usine.



IMPORTANTES CONSIGNES DE SÉCURITÉ

LISEZ TOUTES LES INSTRUCTIONS AVANT D'UTILISER L'APPAREIL

ATTENTION - Lisez toutes les instructions attentivement avant l'utilisation. Ces précautions réduiront le risque de brûlures, de choc électrique, d'incendie, de blessures corporelles ou d'exposition à une énergie micro-ondes excessive. Lorsque vous utilisez des appareils électroménagers de cuisine, il importe de suivre des précautions de sécurité de base, y compris celles indiquées dans les pages suivantes.

2.1 Définitions des termes de sécurité

Vous trouverez ici des explications sur les mots de signalisation de sécurité utilisés dans ce manuel.

AVERTISSEMENT

Signale un risque de mort ou de blessure grave si l'avertissement n'est pas respecté.

MISE EN GARDE

Signale un risque de blessures mineures ou modérées si l'avertissement n'est pas respecté.

AVIS :

Ceci indique que la non-conformité à cet avis de sécurité peut entraîner des dégâts matériels ou endommager l'appareil.

Remarque : Ceci vous signale des informations et/ou indications importantes.

2.2 Sécurité du micro-ondes

AVERTISSEMENT

Quand vous utilisez des appareils électriques, observez les consignes de sécurité de base, y compris ce qui suit :

- ▶ Lisez toutes les instructions avant d'utiliser l'appareil.
- ▶ Lisez et suivez les PRÉCAUTIONS spécifiques POUR ÉVITER UNE EXPOSITION ÉVENTUELLE À UNE ÉNERGIE EXCESSIVE DES MICRO-ONDES figurant dans → *Page 35*
- ▶ Cet appareil doit être mis à la terre. Raccordez l'appareil uniquement à une prise de courant correctement mise à la terre. Voir → *"INSTRUCTIONS DE MISE À LA TERRE", Page 37.*
- ▶ Installez ou aménagez cet appareil uniquement en conformité avec les instructions d'installation fournies.

- ▶ Certains produits comme des œufs entiers et des contenants scellés – par exemple, des pots en verre scellés – peuvent éclater et ne doivent pas être chauffés dans cet appareil.
- ▶ Utilisez cet appareil uniquement dans le cadre de l'utilisation prévue tel que décrit dans ce manuel. N'utilisez pas de produits chimiques corrosifs ou des vapeurs dans cet appareil. Ce type d'appareil est spécifiquement conçu pour chauffer, cuire ou sécher des aliments. Il n'est pas conçu pour un usage industriel ou en laboratoire.
- ▶ **LE CONTENU CHAUD PEUT CAUSER DE GRAVES BRÛLURES. NE PERMETTEZ PAS AUX ENFANTS D'UTILISER LE MICRO-ONDES.** Soyez prudent lorsque vous retirez des éléments chauds.
- ▶ N'utilisez pas cet appareil si le cordon ou la fiche est endommagé, s'il ne fonctionne pas correctement ou s'il a été endommagé ou a été échappé.
- ▶ Cet appareil ne doit être réparé que par un fournisseur de service autorisé. Contactez le fournisseur de services autorisé le plus proche pour un examen, une réparation ou un réglage.
- ▶ Ne couvrez pas ou bloquez les événements ou ouvertures de l'appareil.
- ▶ Ne rangez pas cet appareil à l'extérieur. N'utilisez pas ce produit à proximité de l'eau – par exemple, près d'un évier de cuisine, dans un sous-sol humide, près d'une piscine ou d'emplacements similaires.
- ▶ Ne plongez pas le cordon ou la fiche dans l'eau.
- ▶ Tenez le cordon à l'écart de la surface chauffante.
- ▶ Ne laissez pas le cordon suspendre par dessus le bord d'une table ou d'un comptoir.
- ▶ Lors du nettoyage des surfaces de la porte et de l'appareil qui se rejoignent lors de la fermeture de la porte, utilisez uniquement des savons doux et non abrasifs ou des détergents appliqués avec une éponge ou un chiffon doux. Voir les instructions de nettoyage de la surface de la porte.
→ *"Nettoyage et entretien", Page 61*

2.3 Utilisation sécuritaire

AVERTISSEMENT

Si les consignes du présent manuel ne sont pas suivies à la lettre, il y a un risque d'incendie ou d'électrocution pouvant entraîner des dommages matériels ou des blessures.



IMPORTANTES CONSIGNES DE SÉCURITÉ

LISEZ TOUTES LES INSTRUCTIONS AVANT D'UTILISER L'APPAREIL

Cet appareil électroménager est conçu uniquement pour un usage domestique habituel. Il n'est pas approuvé pour une utilisation en extérieur. Consultez l'énoncé de garantie limitée de produit. Pour toute question, veiller à communiquer avec le fabricant.

Cet appareil doit être monté à une hauteur minimale de 36" po (914 mm) et n'est pas destiné à être utilisé sur un comptoir.

AVERTISSEMENT

N'utilisez pas l'appareil lorsque l'humidité ambiante est excessive.

AVERTISSEMENT

Ne pas utiliser les brûleurs de la table de cuisson au gaz sans chaudron en place. La flamme nue peut surchauffer l'appareil situé au-dessus.

Pour réduire le risque d'incendie dans la cavité de l'appareil

- ▶ Ne cuisez pas trop les aliments. Surveillez attentivement l'appareil quand des matériaux en papier, plastique et autres combustibles sont insérés à l'intérieur de l'appareil pour faciliter la cuisson.
- ▶ Retirez les attaches métalliques des sacs en papier ou en plastique avant de placer le sac dans l'appareil.
- ▶ Si des matériaux à l'intérieur de l'appareil prennent feu, la porte de l'appareil doit être maintenue fermée, l'appareil éteint, le cordon d'alimentation débranché ou l'alimentation coupée au niveau du fusible ou du panneau du disjoncteur.
- ▶ N'utilisez pas la cavité de l'appareil à des fins de stockage. Ne laissez pas de produits en papier, d'ustensiles de cuisine ou d'aliments dans la cavité de l'appareil lorsqu'il n'est pas utilisé.

Cet appareil peut être utilisé au-dessus d'un équipement de cuisson à gaz ou électrique de 36 po (914 mm) ou moins de largeur.

AVERTISSEMENT

La lumière émise par les lumières à DEL est très éblouissante et peut endommager les yeux.

- ▶ Ne regardez pas directement dans les lumières à DEL allumées pendant plus de 100 secondes.
- ▶ Ne regardez pas directement dans les lumières à DEL allumées à l'aide d'aides optiques telles que des jumelles ou une loupe.

AVERTISSEMENT

Lors de la cuisson des aliments, de petites quantités de certains sous-produits, tels que des particules / de la suie, peuvent être libérés. Pour minimiser l'exposition à ces substances:

- ▶ Assurez-vous d'avoir toujours une ventilation adéquate en utilisant un ventilateur approprié ou une hotte avec une évacuation vers l'extérieur et/ou une fenêtre ouverte.
- ▶ Faites toujours fonctionner l'appareil en suivant les consignes de ce manuel.

AVERTISSEMENT

Les matériaux surchauffés peuvent provoquer un incendie ou des brûlures et peuvent produire des émanations ou fumées potentiellement dangereuses.

- ▶ Pour éviter une surchauffe, allumez la hotte lorsque vous chauffez des graisses ou faites frire quelque chose en utilisant des paramètres de température moyen à haut.
- ▶ Évitez de chauffer des casseroles et des poêles vides.
- ▶ Ne laissez pas les casseroles bouillir à sec.
- ▶ Ne laissez pas du papier d'aluminium, du plastique, du papier ou du tissu entrer en contact avec un élément chaud, un brûleur ou une grille.

2.4 INSTRUCTIONS DE MISE À LA TERRE

Suivez ces instructions de sécurité lors du branchement de votre appareil à l'alimentation électrique.

AVERTISSEMENT

Une mise à la terre inadéquate peut entraîner un risque d'électrocution.

Cet appareil doit être mis à la terre. La mise à la terre réduit le risque de choc électrique en fournissant une voie sûre pour le courant électrique en cas de court-circuit.

- ▶ Cet appareil est muni d'un cordon électrique comportant un conducteur de terre et une prise de mise à la terre. La fiche doit être branchée dans une prise qui a été installée et mise à la terre de façon appropriée. Voir manuel d'installation.
- ▶ Consultez un électricien qualifié si vous ne comprenez pas parfaitement les instructions de mise à la terre ou si vous avez des doutes concernant une mise à la terre appropriée.
- ▶ N'utilisez pas de rallonge. Si le cordon d'alimentation du produit est trop court, demandez à un électricien qualifié d'installer une prise à trois fentes près de

CONSERVEZ CES INSTRUCTIONS.



IMPORTANTES CONSIGNES DE SÉCURITÉ

LISEZ TOUTES LES INSTRUCTIONS AVANT D'UTILISER L'APPAREIL

l'appareil. Cet appareil devrait être branché dans un circuit de 60 hertz séparé avec une capacité électrique telle que montrée dans le tableau des spécifications.

Reportez-vous à la section sur les exigences électriques dans les manuel d'installation.

- ▶ Lorsque l'appareil est branché sur un circuit avec un autre équipement, une augmentation des temps de cuisson pourrait être requise et les fusibles pourraient griller.
- ▶ Cet appareil fonctionne sur le courant domestique standard, 120 V.

2.5 Interférences TV/Radio

Évitez les interférences TV et radio en suivant ces instructions.

Cet appareil génère et utilise de l'énergie à fréquence ISM. S'il n'est pas installé et utilisé correctement, en stricte conformité avec les directives du fabricant, il pourrait perturber la réception des ondes radio et télévision. Il a été testé et trouvé conforme avec les limites régissant les équipements ISM conformément à la partie 18 des règlements FCC, qui sont conçus pour fournir une protection raisonnable contre une telle interférence dans une installation résidentielle. Toutefois, il n'y a aucune garantie qu'une interférence ne se produira pas dans une installation particulière. Allumez et éteignez l'appareil pour déterminer s'il est à l'origine de l'interférence.

Essayez les mesures suivantes pour corriger l'interférence :

- Nettoyer la porte et la surface d'étanchéité de l'appareil.
- Réorientez l'antenne réceptrice de la radio ou de la télévision.
- Déplacer l'appareil par rapport au récepteur.
- Éloignez l'appareil du récepteur.
- Branchez l'appareil dans une prise différente de sorte que l'appareil et le récepteur soient sur des circuits de dérivation différents.
- Le fabricant n'est pas responsable des interférences radio ou TV causées par une modification non autorisée de cet appareil. C'est à l'utilisateur qu'il incombe de corriger une telle interférence.

2.6 Sécurité des enfants

Ne laissez pas les enfants utiliser cet appareil. Le non-respect de cette consigne peut entraîner des brûlures ou des blessures graves chez les enfants.

Les enfants et les animaux domestiques ne doivent pas être laissés seuls ou sans surveillance à un endroit où un appareil électroménager est utilisé. Ils ne doivent jamais jouer à proximité, que l'appareil soit utilisé ou non.

AVERTISSEMENT

Ne pas laisser quiconque monter, se tenir debout, se pencher, s'asseoir ou se suspendre sur une partie quelconque de l'appareil électroménager, principalement une porte, un tiroir chauffant ou un tiroir de rangement.

- ▶ Cela peut endommager l'appareil et l'appareil peut basculer et provoquer des blessures graves.

2.7 Sécurité de nettoyage

Suivez ces consignes de sécurité lors du nettoyage de votre appareil.

AVERTISSEMENT

Assurez-vous que tout l'appareil a refroidi et que la graisse s'est solidifiée avant d'essayer de nettoyer une partie de l'appareil.

MISE EN GARDE

La graisse laissée sur les filtres peut fondre à nouveau et pénétrer dans l'évent. Nettoyez régulièrement les ventilateurs. La graisse ne doit pas s'accumuler sur le ventilateur, les filtres ou les conduits d'évacuation.

- Redoublez de vigilance quand vous nettoyez les filtres d'échappement. Les agents de nettoyage corrosifs, tels que les nettoyants pour four à base de lessive, peuvent endommager le filtre.
→ "Nettoyage et entretien", Page 61
- Lors du nettoyage des surfaces de la porte et de la cavité de l'appareil qui se rejoignent lors de la fermeture de la porte, utilisez uniquement des savons ou des détergents doux et non abrasifs appliqués avec une éponge ou un chiffon doux. Voir les instructions de nettoyage de la surface de la porte.
→ "Nettoyage et entretien", Page 61
- Nettoyez fréquemment le repose-rouleau du plateau tournant et le fond de la cavité de l'appareil pour éviter tout bruit excessif.
- Laissez le plat de verre se refroidir avant de le nettoyer ou de le mettre dans l'eau.



IMPORTANTES CONSIGNES DE SÉCURITÉ

LISEZ TOUTES LES INSTRUCTIONS AVANT D'UTILISER L'APPAREIL

2.8 Sécurité de cuisson

MISE EN GARDE

Pour éviter les blessures corporelles ou les dégâts matériels, veuillez suivre les consignes suivantes :

- ▶ Ne laissez pas l'appareil sans surveillance pendant son utilisation.
- ▶ Ne stockez pas de matériaux inflammables à côté ou dans l'appareil.
- ▶ Lorsque vous flambez des aliments sous l'appareil, allumez toujours le ventilateur.
- ▶ Ne faites pas fonctionner l'appareil à vide. Cela pourrait endommager l'appareil et entraîner un risque d'incendie.
- ▶ N'entrez pas et n'utilisez pas des produits chimiques corrosifs, des vapeurs, des matériaux inflammables ou des produits non alimentaires près ou dans cet appareil. Cet appareil est spécialement conçu pour chauffer ou cuire la nourriture. L'emploi de produits chimiques corrosifs dans la cuisson ou le nettoyage endommagera l'appareil et pourrait causer des blessures.
- ▶ Ne séchez pas les vêtements, les journaux ou autres matériaux dans l'appareil. N'utilisez pas des journaux ou des sacs de papier pour la cuisson. Il pourrait en résulter un incendie.
- ▶ N'utilisez pas des produits fabriqués de papier recyclé à moins que leur sécurité au micro-ondes soit attestée. Ils pourraient contenir des impuretés pouvant causer des étincelles et provoquer un incendie.
- ▶ Utilisez toujours des maniques pour retirer des articles de l'appareil. Le récipient de cuisson et le plateau en verre peuvent être chauds même si l'appareil est froid.
- ▶ Dans la mesure du possible, ne mettez pas en marche le système de ventilation pendant un feu de table de cuisson. Toutefois, ne passez pas la main à travers le feu pour l'éteindre.
- ▶ Ne pas monter l'appareil au-dessus d'un évier.
- ▶ Ne rangez aucun objet directement sur le dessus de l'appareil lorsque l'appareil est en cours de fonctionnement.
- ▶ La nourriture ou les ustensiles métalliques surdimensionnés ne devraient pas être placés dans le micro-ondes, car ils pourraient entraîner des risques de décharge électrique ou d'incendie.

- ▶ Ne nettoyez pas le four avec des éponges à récurer métalliques. Des morceaux peuvent se briser et se détacher des éponges et entrer en contact avec des composantes électriques, ce qui pourrait entraîner un risque de décharge électrique.
- ▶ N'utilisez pas de produits en papier lorsque l'appareil fonctionne en mode grille-pain.
- ▶ N'entrez pas de matériaux dans cet appareil, autres que les accessoires recommandés par le fabricant, lorsqu'il n'est pas utilisé.
- ▶ Ne couvrez pas les grilles ou toute autre partie de l'appareil avec du papier d'aluminium. Cela provoquerait une surchauffe de l'appareil.

2.9 En cas d'incendie

Si des matériaux à l'intérieur d'un appareil s'enflamment :

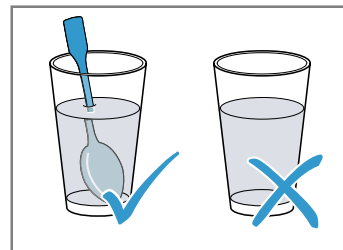
- Gardez la porte de l'appareil fermée.
- Éteignez l'appareil.
- Débranchez l'appareil ou coupez-le au fusible ou au disjoncteur.

2.10 Liquides

AVERTISSEMENT

Les liquides tels que l'eau, le café ou le thé peuvent surchauffer au-delà du point d'ébullition sans paraître bouillant. Le bouillonnement ou l'ébullition lorsque le contenant est retiré du micro-ondes n'est pas toujours présent. **CELA POURRAIT ENTRAÎNER UN LIQUIDE TRÈS CHAUD SOUDAINEMENT EN ÉBULLITION LORSQUE LE RÉCIPIENT EST DÉRANGÉ OU UNE CUILLÈRE OU UN AUTRE USTENSILE EST INSÉRÉ DANS LE LIQUIDE.**

- ▶ Lorsque vous faites chauffer des liquides, placez toujours une baguette en verre ou une cuillère dans le contenant. Vous pourrez ainsi éviter un retard d'ébullition.



CONSERVEZ CES INSTRUCTIONS.



IMPORTANTES CONSIGNES DE SÉCURITÉ

LISEZ TOUTES LES INSTRUCTIONS AVANT D'UTILISER L'APPAREIL

MISE EN GARDE

Métal par ex. une cuillère dans un verre doit être à au moins 1 po (25 mm) des parois de l'appareil et de l'intérieur de la porte. Des étincelles pourraient endommager irrévocablement le verre à l'intérieur de la porte.

Suivez ces recommandations lorsque vous cuisinez avec votre four à micro-ondes :

- Retirez les plats préparés de leur emballage. Ils chaufferont plus rapidement et plus uniformément dans des plats allant au micro-ondes. Les différents composants du repas pourraient nécessiter des temps de cuisson différents.
- Couvrez toujours la nourriture. Si vous ne possédez pas un couvercle adéquat pour votre contenant, utilisez une assiette ou un papier spécial conçu pour le micro-ondes.
- Brassez ou retournez la nourriture plusieurs fois au cours de la cuisson. Vérifiez la température.
- Après la cuisson, laissez la nourriture reposer de 2 à 5 minutes supplémentaires pour obtenir une température uniforme.
- Utilisez toujours un torchon ou des gants de cuisine pour retirer les plaques de l'appareil.

2.11 Cuisson d'articles

Suivez ces consignes de sécurité lors de la cuisson des aliments dans votre micro-ondes pour éviter les blessures.

- Œufs :
 - Ne faites pas cuire ou réchauffer des œufs entiers, avec ou sans coquille. L'accumulation de vapeur dans les œufs entiers peut les faire exploser et éventuellement endommager l'appareil ou causer des blessures.
 - Le réchauffement d'œufs durs en tranches ou la cuisson d'œufs brouillés ne pose aucun problème.
- Popcorn :
 - Utilisez uniquement du popcorn dans des emballages conçus et étiquetés pour usage dans le micro-ondes, ou faites-le éclater dans un éclateur de popcorn pour four à micro-ondes.
 - Suivez les instructions des fabricants de pop-corn et utilisez une marque adaptée à la puissance de votre appareil.
 - Ne continuez pas de cuire après que le popcorn a cessé d'éclater. Le popcorn risquerait alors de brûler.

- Ne laissez pas l'appareil sans surveillance.

MISE EN GARDE

Lorsque vous utilisez du popcorn préemballé pour micro-ondes, vérifiez le poids de l'emballage avant d'utiliser la fonction de popcorn.

- ▶ Réglez l'appareil en fonction du poids du paquet de pop-corn. Si vous ne suivez pas ces instructions, il se peut que le popcorn ne s'éclate pas correctement et pourrait s'enflammer et causer un incendie.
- Aliments à peau non poreuse :

Les pommes de terre, les tomates, les patates douces, les pommes, les courges entières et les saucisses sont des exemples d'aliments à peau non poreuse. Ces types d'aliments doivent être percés avant la cuisson pour éviter qu'ils n'exploient.
- Nourriture pour bébé/Préparation pour bébé

Ne chauffez pas les biberons ou les aliments pour nourrissons dans le four à micro-ondes. Le pot de verre ou la surface de l'aliment pourrait sembler tiède alors que l'intérieur pourrait brûler la bouche et l'œsophage du nourrisson.
- Grande friture de gras :
 - Ne faites pas frire dans l'appareil. L'huile pourrait chauffer très rapidement au-delà de sa température idéale dans un four à micro-ondes. Les températures pourraient monter à tel point que l'huile de cuisson arrivera au point d'inflammabilité et s'enflammera. L'huile chauffée peut faire des bulles et des éclaboussures, ce qui pourrait endommager l'appareil et entraîner des brûlures.
 - Par ailleurs, les ustensiles micro-ondables pourraient ne pas supporter la température de l'huile chaude et pourraient occasionner le bris de l'ustensile si celui-ci contient une imperfection, une rayure ou une écaille.
- Mise en conserve/Séchage des aliments/Petites quantités d'aliments à la maison
 - N'utilisez pas le four à micro-ondes pour la mise en conserve domestique ou le chauffage d'un bocal fermé. La pression s'accumulera et le pot pourrait éclater. De plus, l'appareil ne peut pas maintenir les aliments à la bonne température de mise en conserve. Les aliments mis en conserve incorrectement pourraient rancir et être dangereux à consommer. De petites quantités d'aliments ou des aliments à faible contenu d'humidité peuvent



IMPORTANTES CONSIGNES DE SÉCURITÉ

LISEZ TOUTES LES INSTRUCTIONS AVANT D'UTILISER L'APPAREIL

- s'assécher, brûler ou s'enflammer. Ne faites pas sécher de viandes, d'herbes, de fruits ou de légumes dans votre appareil.
- La cuisson appropriée dépend du temps réglé et du poids de l'aliment. Si vous utilisez une portion plus petite que celle recommandée et faites cuire la portion au temps recommandé, un incendie pourrait en résulter.
 - Plats de brunissement
 - Les plats de brunissement ou les grilles du micro-ondes sont conçus uniquement pour la cuisson au micro-ondes. Les temps de préchauffage varient selon la taille du plat de brunissement et de l'aliment à cuire.
 - Suivez toujours les instructions fournies par le fabricant du plat de brunissement ou de la grille.
 - Ne préchauffez pas les plats de brunissement pendant plus de 6 minutes.
 - Sacs à rôtir au four :
 - Si un sac de four est utilisé pour la cuisson au micro-ondes, préparez selon les directions de l'emballage.
 - N'utilisez pas des attaches pour fermer les sacs, utilisez à la place des attaches de nylon, du fil en coton ou d'une bande coupée de l'extrémité ouverte du sac. Pratiquez 6 fentes de ½ po (12,7 mm) après la fermeture du sac.
 - Placez le sac de cuisson dans un plat légèrement plus grand que l'aliment à cuire.
 - ▶ Lorsque vous utilisez du papier d'aluminium dans l'appareil, laissez un espace d'au moins 1 po (25 mm) entre le papier d'aluminium et les parois ou la porte intérieures de l'appareil.
 - ▶ Le plateau de verre et les grilles métalliques (le cas échéant) deviendront chauds pendant la cuisson. Le récipient de cuisson et le plateau en verre peuvent être chauds même si l'appareil est froid.
 - ▶ N'utilisez jamais des matériaux en papier, plastique ou autres matériaux combustibles non prévus pour la cuisson.
 - ▶ Lorsque vous faites cuire avec des matériaux de papier, de plastique ou autres matériaux combustibles, suivez les recommandations du fabricant.
 - ▶ N'utilisez pas des serviettes de papier qui contiennent des fibres de nylon ou des fibres synthétiques. Le chauffage de fibres synthétiques pourrait fondre et amener le papier à s'enflammer.
 - ▶ Ne chauffez pas de récipients scellés ou de sacs en plastique dans l'appareil. L'aliment ou le liquide pourrait se dilater rapidement et causer le bris du contenant ou du sac. Percez ou ouvrez le contenant ou le sac avant la cuisson.
 - ▶ N'utilisez pas de thermomètres de cuisson ordinaires dans l'appareil. La plupart des thermomètres de cuisson contiennent du mercure et pourraient causer un arc électrique, une anomalie ou des dommages à l'appareil.

2.12 Ustensiles de cuisson

MISE EN GARDE

Une utilisation incorrecte des ustensiles de cuisine peut entraîner des blessures ou des dommages matériels.

- ▶ Voyez aussi Guide des ustensiles micro-ondables
→ Page 48.
- ▶ Les ustensiles de cuisson, les plateaux de verre et les grilles deviennent chauds pendant la cuisson au micro-ondes. Utilisez toujours des maniques pour retirer des articles de l'appareil. Laissez le plateau de verre et les grilles métalliques se refroidir (le cas échéant) avant de les manipuler.
- ▶ N'utilisez pas d'ustensiles en métal ou de vaisselle avec des garnitures métalliques dans l'appareil.

2.13 Plateau en verre/anneau de plateau tournant

- Ne faites pas fonctionner l'appareil sans que le support du plateau tournant et le plateau en verre ne soient en place.
- Une mauvaise cuisson ou des dommages à l'appareil pourraient en résulter. Vérifiez que le plateau en verre est correctement positionné et tourne lorsque l'appareil est en cours d'utilisation. **Remarque** : le plateau en verre peut tourner dans les deux sens.
- Utilisez uniquement le plateau en verre conçu pour cet appareil. Ne lui substituez aucun autre plat.
- Laissez le plat de verre se refroidir avant de le nettoyer ou de le mettre dans l'eau.
- Ne placez pas les aliments directement sur le plat de verre. Placez toujours l'aliment dans un plat micro-ondable.

CONSERVEZ CES INSTRUCTIONS.



IMPORTANTES CONSIGNES DE SÉCURITÉ

LISEZ TOUTES LES INSTRUCTIONS AVANT D'UTILISER L'APPAREIL

- Remettez toujours l'anneau du plateau tournant et le plateau en verre dans leurs positions appropriées.
- L'anneau du plateau tournant doit toujours être utilisé pour la cuisson avec le plateau en verre.

2.14 Fonctionnement en mode d'échappement

Lorsque l'appareil fonctionne en mode évacuation simultanément avec un brûleur à gaz, il faut veiller à ce qu'il y ait un apport suffisant d'air frais qui sera nécessaire au brûleur pour la combustion.

AVERTISSEMENT

Éviter l'intoxication au monoxyde de carbone - Prévoir une admission d'air adéquate pour empêcher le retour des gaz de combustion dans la pièce. Une boîte murale de débit et d'évacuation d'air seule n'assure pas le respect des valeurs limites.

- ▶ Remarque : Au moment de revoir les exigences dans l'ensemble, il faut tenir compte du système d'apport d'air combiné pour toute la maison. Cette règle ne s'applique pas à l'utilisation d'appareils électroménagers de cuisson comme les tables de cuisson et les fours.

2.15 Pacemakers

MISE EN GARDE

Pour éviter la défaillance d'un stimulateur cardiaque, consultez le médecin ou le fabricant du stimulateur cardiaque à propos des effets de l'énergie micro-ondes sur le stimulateur cardiaque.

2.16 Fonctionnement du moteur du ventilateur

Après avoir utilisé l'appareil, le moteur du ventilateur peut continuer à tourner pour refroidir les composants électriques. Ceci est parfaitement normal et vous pouvez retirer les aliments de l'appareil pendant que le ventilateur fonctionne.

2.17 Ventilation de la pièce avec filtre anti-odeurs

Le filtre anti-odeurs fourni avec votre micro-ondes retient les substances odorantes.

Remarque : Si aucun filtre anti-odeurs n'est installé, il n'est pas possible de lier les substances odorantes dans les vapeurs de cuisson.

2.18 Mises en garde conformément à la proposition 65 de l'État de Californie

Ce produit pourrait contenir un produit chimique reconnu par l'État de la Californie comme cancérigène ou ayant des effets nocifs sur la reproduction. Par conséquent, vous pourriez devoir apposer l'étiquette suivante sur l'emballage du produit comme requis par la Californie :

AVERTISSEMENT ISSU DE LA PROPOSITION 65 DE L'ÉTAT DE LA CALIFORNIE :

 **AVERTISSEMENT**

Cancer et dommages à la reproduction -
www.P65Warnings.ca.gov

3 Prévenir les bris matériels

3.1 Généralités

Suivez ces instructions lorsque vous utilisez l'appareil.

AVIS :

Le métal, comme une cuillère dans un verre, doit être maintenu à au moins 1 po (25 mm) des parois de la cavité de l'appareil et de l'intérieur de la porte.

- ▶ Des étincelles pourraient endommager irrévocablement le verre à l'intérieur de la porte.

Lorsque la cavité de l'appareil est chaude, toute eau à l'intérieur créera de la vapeur. Le changement de température peut provoquer des dommages.

- ▶ Ne versez jamais d'eau dans la cavité de l'appareil lorsqu'elle est encore chaude.
- ▶ Ne placez jamais d'ustensiles de cuisine contenant de l'eau sur le fond de la cavité de l'appareil.

La présence prolongée d'humidité dans la cavité de l'appareil entraîne la corrosion.

- ▶ Essuyez toujours la condensation après la cuisson.
- ▶ Ne gardez pas longtemps des aliments humides dans la cavité de l'appareil avec la porte fermée.
- ▶ Ne stockez pas d'aliments dans la cavité de l'appareil.

Les jus de fruits peuvent laisser des taches dans la cavité de l'appareil.

- ▶ Retirez toujours le jus de fruit immédiatement quand il est sécuritaire de le toucher et essuyez-le d'abord avec un chiffon humide, puis sec.

Laisser l'appareil refroidir avec la porte ouverte endommagera le devant des éléments de cuisine voisins au fil du temps.

- ▶ Laissez toujours la cavité de l'appareil refroidir avec la porte fermée après la cuisson à des températures élevées. Ne laissez la cavité de l'appareil sécher avec la porte ouverte que si beaucoup d'humidité a été produite pendant le fonctionnement.

Si le joint est très sale, la porte de l'appareil ne se fermera pas correctement lorsque l'appareil est en marche. Cela pourrait endommager l'avant des unités de cuisine adjacentes.

- ▶ Gardez le joint propre en tout temps.
- ▶ Ne faites pas fonctionner l'appareil si le joint est endommagé ou manquant. Ne faites pas fonctionner l'appareil si le joint est endommagé ou manquant.

S'asseoir ou placer des objets sur la porte de l'appareil peut l'endommager.

- ▶ Ne placez pas et ne suspendez pas d'objets sur la porte de l'appareil.
- ▶ Ne placez pas d'ustensiles de cuisine ou d'accessoires sur la porte de l'appareil.

Avec certains modèles, les accessoires peuvent rayer la vitre de la porte lors de la fermeture de la porte de l'appareil.

- ▶ Poussez toujours complètement les accessoires dans la cavité de l'appareil.

Le transport de l'appareil par la poignée de porte pourrait le casser. La poignée de porte ne peut pas supporter le poids de l'appareil.

- ▶ Ne pas porter ou tenir l'appareil par la porte.

Le fonctionnement du micro-ondes sans aliment dans la cavité de l'appareil pourrait occasionner une surcharge.

- ▶ Ne faites jamais fonctionner le micro-ondes s'il n'y a pas d'aliments dans la cavité de l'appareil. Une exception à cette règle est un mode de cuisson qui nécessite un préchauffage ou un court test de la vaisselle.

→ "Guide des ustensiles pour micro-ondes", Page 48

Réglez toujours la puissance du micro-ondes tel que recommandé pour l'aliment. Des réglages à trop forte puissance peuvent très rapidement surchauffer les aliments.

Ne surchargez pas le plateau tournant, sinon il risque de sauter.

4 Protection de l'environnement et économies

4.1 Mise au rebut de l'emballage

Les matériaux d'emballage sont écologiques et recyclables.

- ▶ Veuillez éliminer les pièces détachées après les avoir triées par matières.

4.2 Économie d'énergie

Si vous suivez ces recommandations, votre appareil consommera moins d'énergie.

Utilisez des plaques de cuisson de couleur foncée, à revêtement noir ou émaillées.

- ✓ Ces types de moules absorbent particulièrement bien la chaleur.

Ouvrez la porte de l'appareil le moins possible pendant le fonctionnement.

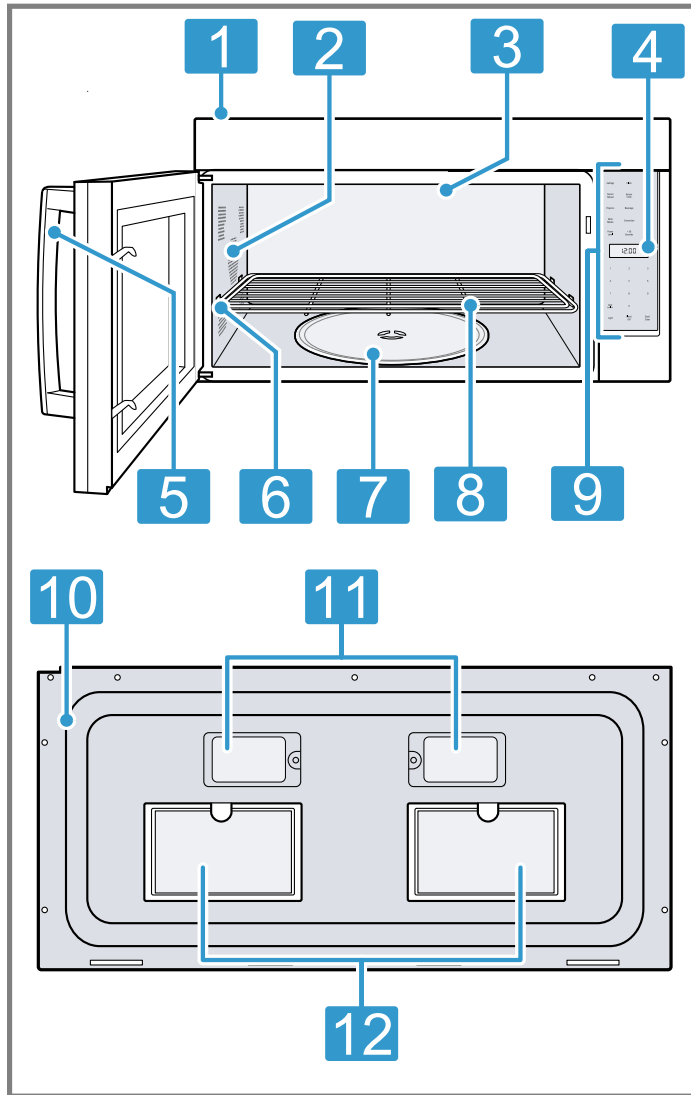
- ✓ Cela maintiendra la température dans la cavité de l'appareil et éliminera le besoin de réchauffer l'appareil.

5 Description de l'appareil

Ce manuel couvre plusieurs modèles. Votre modèle peut avoir certaines des caractéristiques répertoriées, mais pas toutes.

5.1 Électroménager

Cette section contient une vue d'ensemble des composants de votre appareil.



- | | |
|---|--|
| 1 | Ventilation de l'appareil |
| 2 | Élément de convection |
| 3 | Éclairage de la cavité de l'appareil (DEL) |
| 4 | Affichage |
| 5 | Poignée de porte |
| 6 | Support de grille (4x) |
| 7 | Plaque tournante |
| 8 | Grille métallique |
| 9 | Panneau de commande avec touches tactiles |

- | | |
|----|----------------------------|
| 10 | Vue du bas |
| 11 | Eclairage de surface (DEL) |
| 12 | Filtres de ventilation |

Ventilation de l'appareil

L'évent de l'appareil est situé au-dessus de la cavité de l'appareil.

De l'air chaud peut s'échapper de l'évent de l'appareil avant, pendant et après la cuisson. Il est normal de voir de la vapeur s'échapper de l'évent de l'appareil et de la condensation peut s'accumuler dans cette zone. Cette zone peut être chaude lorsque l'appareil est en cours d'utilisation. Ne bloquez pas l'évent de l'appareil, car il est important pour la circulation de l'air.

Ventilateur de convection

Le ventilateur de convection fonctionne pendant tous les modes de convection.

Lorsque l'appareil fonctionne en mode convection, le ventilateur s'éteint automatiquement à l'ouverture de la porte.

Ventilateur de refroidissement

Le ventilateur de refroidissement est en marche dans tous les modes de cuisson.

Le ventilateur peut être entendu lorsqu'il est en marche et de l'air chaud peut être ressenti lorsqu'il sort de l'évent de l'appareil. Le ventilateur peut également fonctionner après l'arrêt de l'appareil.

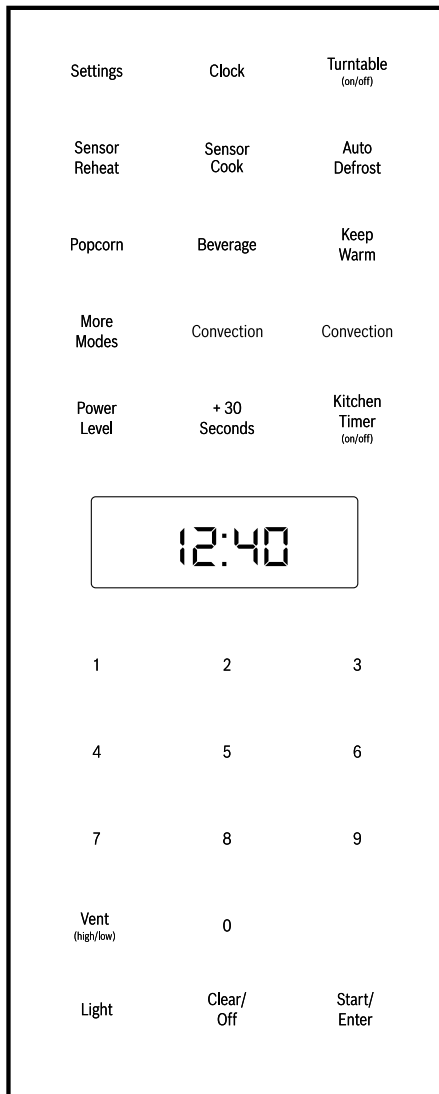
Éclairage de la cavité de l'appareil (DEL)

La lumière de la cavité de l'appareil s'éteint pour économiser de l'énergie après 1 minutes avec la porte ouverte.

Pour rallumer l'éclairage, fermez la porte et ouvrez-la de nouveau.

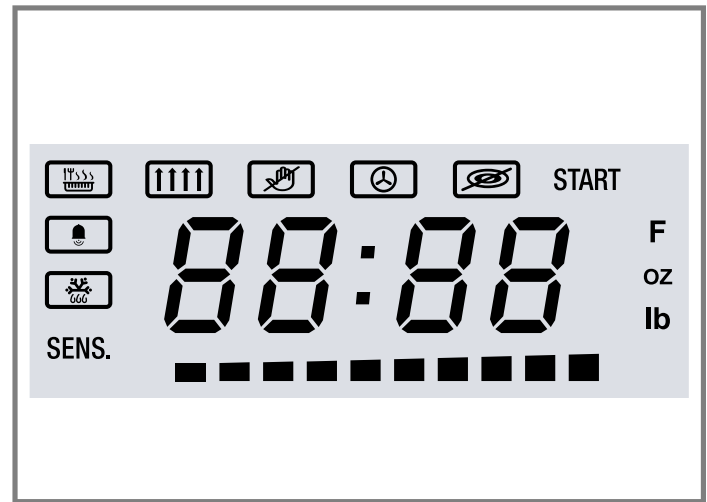
5.2 Panneau de commande

Le bandeau de commande vous permet de configurer toutes les fonctions de votre appareil et d'obtenir des informations sur son état de fonctionnement.



Affichage

L'écran affiche les paramètres et les fonctions actifs. Les éléments d'affichage clignotants indiquent qu'une saisie est requise.



Symbole	Fonction
	Garder au chaud
	Évent
	Verrouillage du panneau activé
	CONVECTION
	Plaque tournante hors tension
	Minuterie de cuisine
	Décongélation
START	Confirmation avec la touche Start/Enter (Démarrage/Entrée) nécessaire
SENS.	Détection en cours
F	Température en °F
oz lb	L'affichage numérique montre le poids en onces/livres
.....	Barre d'état pour niveau de puissance de préchauffage/micro-ondes
00:00	Affichage numérique pour temps, température ou poids selon l'unité qui est affichée à côté

Touches tactiles

Les touches tactiles sont des zones sensibles au toucher. Activez une fonction en appuyant brièvement sur la touche tactile correspondante.

Lorsque vous appuyez sur une touche tactile, un bref bip de confirmation retentit. Un bip long signifie que vous avez effectué une saisie invalide.


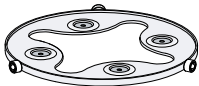

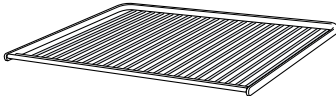
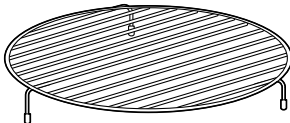
Bouton	Fonction
0 - 9	Utilisez les touches numérotées pour entrer des valeurs personnalisées
Start/Enter	Confirmez l'entrée, démarrez l'opération

Bouton	Fonction
Clear/Off	Effacez la valeur saisie, éteignez l'appareil
Power Level	Réglez le niveau de puissance pour le fonctionnement du micro-ondes
+ 30 Seconds	Ajoutez 30 secondes à la minuterie du micro-ondes
Vent (high/low)	Activer/désactiver la fonction de ventilation de la cuisine
Light	Activer/désactiver l'éclairage de surface
Kitchen Timer (on/off)	Régler la minuterie de cuisine
Turntable (on/off)	Activer/désactiver le plateau tournant
Clock	Réglez l'heure du jour
Settings	Entrez dans le menu des réglages de base
Popcorn	Préparez le pop-corn, sélectionnez la taille du paquet de pop-corn
Beverage	Chauffez une boisson, sélectionnez la taille de la boisson
Keep Warm	Régler la fonction de maintien au chaud
Sensor Reheat	Réchauffez l'aliment avec les réglages automatiques
Convection	Réglez le mode Convection
Auto Defrost	Décongélez les aliments avec les réglages automatiques
Sensor Cook	Faites cuire les aliments avec les réglages automatiques

6 Accessoires

Utilisez uniquement des accessoires d'origine. Ils ont été spécialement conçus pour votre appareil.

Les accessoires fournis peuvent différer selon le modèle d'appareil.

Accessoires		Utilisation
Plateau tournant en verre		Ne faites pas fonctionner l'appareil sans le plateau tournant et l'anneau de roulement en place. → "Montage du plateau tournant du plateau en verre", Page 47
Anneau à rouleaux (modèles HMV8045U, HMV8045C)		Disque de support de plateau tournant amélioré pour une meilleure distribution de l'énergie des micro-ondes. <ul style="list-style-type: none"> ■ Utilisez à la place de l'anneau de roulement conventionnel. ■ Placez le plateau en verre sur le dessus.
Anneau à rouleaux (modèle HMV8054U)		Anneau à rouleaux conventionnel <ul style="list-style-type: none"> ■ Placez le plateau en verre sur le dessus.
Grille métallique		Utilisez pour un espace supplémentaire.
Grille de convection		Utilisez avec le mode convection.

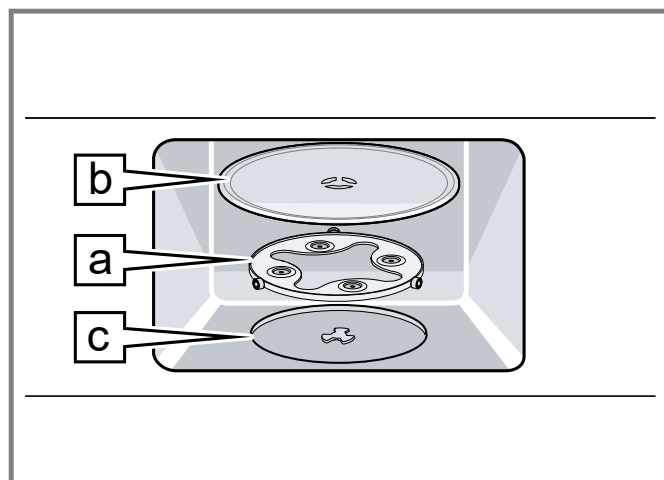
6.1 Montage du plateau tournant du plateau en verre

N'utilisez pas l'appareil si la plaque tournante n'est pas en place.

Remarque : Les graphiques sont représentatifs. Votre appareil peut avoir des apparences graphiques ou de conception différentes.

1. Placer l'anneau à rouleau **a** dans le renforcement de la cavité de l'appareil.

2. Laissez la fente **b** du plateau tournant en place dans le lecteur **c** au centre du fond de la cavité de l'appareil.



3. Assurez-vous que le plateau tournant est correctement enclenché et tourne librement lorsque le micro-ondes est en marche.

6.2 Utiliser la grille

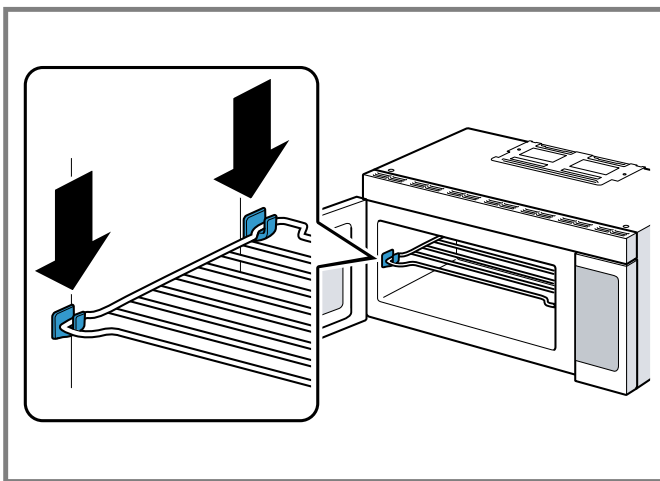
La grille vous offre un espace supplémentaire lorsque vous cuisinez dans plusieurs récipients en même temps.

⚠ MISE EN GARDE

Utilisez correctement la grille pour éviter les blessures ou les dommages matériels.

- ▶ N'utilisez pas la grille pour faire éclater du pop-corn.
- ▶ La grille doit être posée sur les quatre supports en plastique lors de son utilisation.
- ▶ Ne cuisinez pas avec la grille située au fond de la cavité de l'appareil.
- ▶ Utilisez la grille uniquement lors de la cuisson d'aliments sur deux positions.
- ▶ La grille peut devenir chaude pendant la cuisson. Laissez la grille refroidir avant de la manipuler.
- ▶ Lorsqu'elle n'est pas utilisée, rangez la grille à l'extérieur du micro-ondes dans une armoire.

1. Placez solidement la grille dans les quatre supports en plastique.



Remarque : La grille ne doit pas toucher les parois métalliques ou l'arrière de la cavité de l'appareil.

2. Placez des quantités égales d'aliments au-dessus et en dessous de la grille pour équilibrer l'énergie de cuisson.

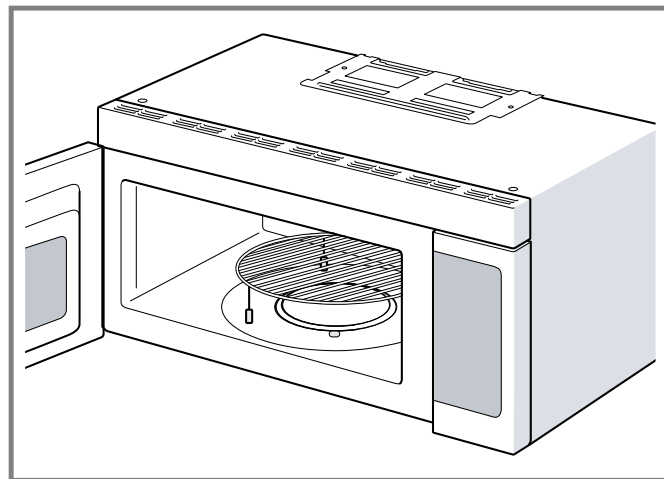
6.3 Utilisation de la grille de convection

Pour les meilleurs résultats, utilisez toujours la grille de convection pour la cuisson à convection.

Remarques

- N'utilisez jamais la grille de convection pour la cuisson ou le réchauffage au micro-ondes.
- Placez la grille de convection dans l'appareil lorsque l'appareil est préchauffé.

1. Placez solidement la grille de convection au centre du plateau tournant en verre.



2. Placez l'aliment directement sur la grille de convection.

6.4 Guide des ustensiles pour micro-ondes

Lisez ici pour voir si vos ustensiles de cuisine peuvent être utilisés dans le four à micro-ondes.

Plats de cuisson convenables

Plats allant au four	Exemples
Verre thermorésistant, verre-céramique et faïence	Plats utilitaires, plats pour pain de viande, moules à tarte, moules à gâteau, tasses à mesurer les liquides, casseroles et bols sans garniture métallique tel que, Pyrex ^{MD} , Anchor Hocking ^{MC} , Corning Ware ^{MD} , Emile Henry, etc. ¹
Chêne	Bols, tasses, plats de service et plateaux sans garniture métallique.
Emballages et pellicules plastiques	Pellicule plastique, comme couverture : <ul style="list-style-type: none"> ■ Posez la pellicule plastique sur le plat et appuyez dessus sur les côtés. ■ Aérez l'emballage plastique en retroussant légèrement un bord pour permettre à la vapeur excessive de s'échapper. ■ Le plat devrait être suffisamment profond de manière à ce que l'emballage plastique ne touche pas l'aliment.
Plastiques propres à la cuisson au micro-ondes	Utilisez des plats, des tasses, des contenants de congélation semi-rigides et des sacs de plastique propres à une utilisation au micro-ondes pour de courts temps de cuisson.

¹ Ces marques sont des marques déposées de leurs propriétaires respectifs. Toutes les autres marques sont des marques de BSH Home Appliances Corporation ou ses sociétés affiliées.

Plats allant au four	Exemples
	Utilisez-les avec soin car le plastique pourrait se ramollir à cause de la chaleur générée par l'aliment.
Produits de papier	Essuie-tout, papier ciré, papier parchemin, serviettes de table et plats de papier sans garniture métallique ou dessin. Reportez-vous à l'étiquette du fabricant pour connaître les instructions spéciales d'utilisation dans le four à micro-ondes.

¹ Ces marques sont des marques déposées de leurs propriétaires respectifs. Toutes les autres marques sont des marques de BSH Home Appliances Corporation ou ses sociétés affiliées.

Plats de cuisson inappropriés

Plats allant au four	Exemples
Ustensiles et batterie de cuisine en métal	Évitez le métal dans la cavité de l'appareil : <ul style="list-style-type: none"> Le métal protège l'aliment de l'énergie micro-ondes et produit une cuisson inégale. Par ailleurs, évitez les brochettes métalliques, les thermomètres ou les plateaux en aluminium. Les ustensiles métalliques peuvent provoquer la production d'arcs électriques pouvant endommager le four à micro-ondes.
Décoration métallique	Bols, tasses, plats de service et plateaux avec garniture métallique.
Papier d'aluminium	Évitez les grandes feuilles d'aluminium car elles nuisent à la cuisson et pourraient provoquer la production dangereuse d'arcs électriques. Utilisez de petits morceaux de feuille d'aluminium pour protéger les ailes et les cuisses de poulet. Gardez TOUTE la feuille d'aluminium à au moins 1 po (25 mm) des parois latérales de la cavité de l'appareil et de la porte de l'appareil.
Bois	Les bols et les plateaux de bois s'assècheront et pourraient se fissurer ou se fendre si vous les utilisez dans le four à micro-ondes. Les paniers fabriqués de bois réagiront de la même manière.
Ustensiles de cuisine bien couverts	Laissez la vapeur s'échapper : <ul style="list-style-type: none"> Assurez-vous de laisser des ouvertures pour permettre à la vapeur de s'échapper du plat de cuisson couvert.

Plats allant au four	Exemples
	<ul style="list-style-type: none"> Percez les pochettes de plastique de légumes ou d'autres aliments avant leur cuisson. Les pochettes trop serrées peuvent éclater.
Papier brun	Évitez d'utiliser des sacs de papier brun d'emballage. Ils absorbent la chaleur et peuvent brûler.
Ustensiles de cuisson endommagés ou écaillés	Des ustensiles fissurés, défectueux ou ébréchés peuvent se briser dans l'appareil.
Attaches métalliques	Retirez les attaches métalliques des sacs de papier ou de plastique. Ils deviennent chauds et pourraient s'enflammer.

Test de l'aptitude des ustensiles au micro-ondes

Effectuez le test suivant si vous ne savez pas si votre vaisselle est adaptée à une utilisation au micro-ondes. N'allumez pas le micro-ondes s'il n'y a pas de nourriture à l'intérieur. Ce test de vaisselle est la seule exception à cette règle.

1. Chauffez les plats vides à puissance maximale pendant ½ à 1 minute.
 2. Vérifier la température à l'occasion au cours de cette période.
- ✓ La vaisselle doit être encore froide ou chaude au toucher.
 - ✓ La vaisselle ne convient pas si elle devient chaude ou si des étincelles se produisent.

7 Avant d'utiliser pour la première fois

Effectuez ces étapes avant d'utiliser votre appareil.

- L'appareil doit être correctement installé par un prestataire de services qualifié avant l'utilisation.
- Lisez et comprenez toutes les précautions et informations de sécurité dans le manuel avant de l'utiliser.
- Ce manuel couvre plusieurs modèles. Toutes les fonctionnalités ne sont pas disponibles sur tous les modèles.

7.1 Nettoyage de l'appareil avant sa première utilisation

Remarque : L'appareil doit être complètement monté et branché avant de l'utiliser pour la première fois.

1. Retirez tous les matériaux d'emballage à l'intérieur et à l'extérieur de l'appareil.
2. Avant de chauffer l'appareil, essuyez les surfaces dans la cavité de l'appareil avec un chiffon propre et humide et séchez.

3. Nettoyez les accessoires avec de l'eau savonneuse et un chiffon doux.

Remarque : Il peut y avoir une légère odeur aux premières utilisations. Ceci est normal et disparaîtra.

7.2 Application de l'étiquette du programme

- ▶ Appliquez l'étiquette de programme incluse dans la langue souhaitée sur le côté de la cavité de l'appareil. Voir l'étiquette du programme pour les instructions.

7.3 Réglage de l'heure du jour

L'horloge peut être réglée en mode 12 heures.

1. Touchez **Clock** une fois.
 2. Entrez le temps souhaité à l'aide des touches numérotées. Le temps se remplit de droite à gauche.
Exemple : Pour régler l'horloge à 12:41, tapez 1 2 4 1.
 3. Toucher **Clock** pour confirmer.
- ✓ L'heure du jour est affichée.

8 Opération de base

8.1 Réglage du micro-ondes

Exigence : L'appareil est éteint.

1. Entrez le temps de cuisson souhaité à l'aide des touches numériques. L'affichage de la minuterie se remplit de droite à gauche.
Exemple : Pour définir un temps de cuisson au micro-ondes de 20 minutes et 30 secondes, saisissez 2 0 3 0.
- ✓ **START** clignote à l'écran.
2. Pour démarrer le fonctionnement du micro-ondes avec le niveau de puissance par défaut 10, appuyez sur **Start/Enter**.
3. Pour régler le niveau de puissance, touchez **Power Level**.
 - ✓ Le niveau de puissance par défaut **PL 10** clignote.
 - ✓ Les segments de la barre d'état indiquent également le niveau de puissance.
4. Entrez le niveau de puissance souhaité avec les touches numérotées.
 - ✓ **PL**, le niveau de puissance sélectionné et **START** clignent à l'écran.

Niveaux de puissance du micro-ondes

Vous trouverez ici un aperçu des différents réglages de puissance des micro-ondes et quand les utiliser.

5. Touchez **Start/Enter** pour lancer le fonctionnement du micro-ondes.

- ✓ Le temps de cuisson commence à décompter.
- ✓ Lorsque le temps de cuisson est écoulé, 4 bips retentissent.
- ✓ L'appareil s'éteint et l'heure du jour s'affiche.

Ajout de temps de cuisson (+ 30 secondes)

Vous pouvez ajouter du temps de cuisson pendant que le micro-ondes fonctionne.

1. Touchez **+ 30 Seconds**.
 - ✓ 30 secondes sont ajoutées au temps de cuisson.
2. Toucher **+ 30 Seconds** pendant que l'appareil est éteint, le micro-ondes démarre au niveau de puissance 10 avec un temps de cuisson de 30 secondes.

Modification du niveau de puissance

Vous pouvez modifier le niveau de puissance du micro-ondes pendant le fonctionnement.

1. Touchez **Power Level**.
 - ✓ Le niveau de puissance actuel clignote.
2. Entrez le niveau de puissance souhaité avec les touches numérotées.
 - ✓ **PL**, le niveau de puissance sélectionné et **START** clignent à l'écran.
3. Touchez **Start/Enter** pour reprendre le fonctionnement du micro-ondes.

Ouverture de la porte de l'appareil en cours de fonctionnement

- ▶ L'ouverture de la porte de l'appareil en cours de fonctionnement interrompra le mode en cours. Fermez la porte de l'appareil, puis touchez **Start/Enter** pour reprendre le fonctionnement.

Annulation de l'opération

- ▶ Touchez **Clear/Off**.
 - ✓ Le mode de fonctionnement actif est annulé.
 - ✓ L'appareil s'éteint et l'heure du jour s'affiche.
 - ✓ Le ventilateur de refroidissement peut fonctionner pendant un certain temps, puis s'arrêter automatiquement.

Niveau de puissance	Puissance du micro-ondes	Utiliser pour
10	100%	<ul style="list-style-type: none"> ■ Bouillir de l'eau ■ Cuire de la viande hachée ■ Cuire des fruits et légumes frais ■ Cuire du poisson et de la volaille ■ Préchauffer un plat à dorer ■ Réchauffer des boissons ■ Cuire des tranches de bacon
9	90%	<ul style="list-style-type: none"> ■ Réchauffer rapidement des tranches de viande ■ Sauter des oignons, céleris et poivrons verts
8	80%	<ul style="list-style-type: none"> ■ Réchauffage général ■ Cuire des œufs brouillés
7	70%	<ul style="list-style-type: none"> ■ Cuire des pains et des produits céréaliers ■ Cuire des plats de fromage ■ Cuire des muffins, des gâteaux au chocolat et des petits gâteaux ■ Cuire une volaille entière
6	60%	<ul style="list-style-type: none"> ■ Cuire des pâtes
5	50%	<ul style="list-style-type: none"> ■ Cuire de la viande ■ Cuire de la crème pâtissière ■ Cuire des côtes levées, du rôti de bœuf et du rôti de surlonge
4	40%	<ul style="list-style-type: none"> ■ Cuire des coupes de viande moins tendres ■ Réchauffer des aliments préparés surgelés ■ Chocolat fondant
3	30%	<ul style="list-style-type: none"> ■ Décongeler de la viande, de la volaille et des fruits de mer ■ Cuire de petites quantités d'aliments ■ Terminer la cuisson de casseroles, de plats mijotés et de certaines sauces
2	20%	<ul style="list-style-type: none"> ■ Ramollir du beurre et du fromage à la crème
1	10%	<ul style="list-style-type: none"> ■ Ramollir de la crème glacée ■ Faire lever de la pâte à levure

Suggestions pour de meilleurs résultats lors de la cuisson au micro-ondes

Suivez ces suggestions pour vous aider à obtenir les meilleurs résultats possibles avec votre four à micro-ondes.

Température de rangement	Les aliments sortis du congélateur ou du réfrigérateur mettent plus de temps à cuire.
Taille	Pour des résultats uniformes : <ul style="list-style-type: none"> ■ Les petits morceaux cuisent plus rapidement que les gros. ■ Cuire des morceaux de taille et de forme similaires ensemble. ■ Réduisez le niveau de puissance lors de la cuisson de gros morceaux de nourriture.
Humidité naturelle	Les aliments très humides cuisent de façon plus uniforme du fait que l'énergie du micro-ondes chauffe les molécules d'eau de façon très efficace.


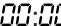
Remuer les aliments pendant la cuisson	Brassez les aliments comme les casseroles et les légumes de l'extérieur au centre pour distribuer la chaleur de façon plus uniforme. Cela vous permettra de cuire l'aliment plus rapidement. Un brassage constant n'est pas nécessaire.
Retourner la nourriture	Retournez les aliments tels que les côtelettes de porc, les rôtis ou le chou-fleur entier à mi-cuisson. Cela aidera à exposer tous les côtés de façon uniforme à l'énergie micro-ondes.
Où placer la nourriture sur le plateau tournant	Placez les parties délicates des aliments, comme les pointes d'asperge, vers le centre de la plaque tournante.
Disposer les aliments de formes inégales	Disposez les aliments de forme uniforme, comme les morceaux de poulet ou le saumon, avec les parties plus épaisses, plus charnues vers l'extérieur de la plaque tournante.

Laissez les aliments reposer	Après avoir retiré les aliments du micro-ondes : <ul style="list-style-type: none"> ■ couvrez l'aliment de feuilles d'aluminium ou d'un couvercle de casserole et laissez-le reposer pour terminer la cuisson. Cela aidera les aliments à terminer la cuisson au centre et évitera de trop cuire les bords extérieurs. ■ La durée du temps de repos dépend de la densité et de la surface des aliments.
Emballer les aliments	Enveloppez les sandwichs et autres types d'aliments contenant du pain précuit dans du papier absorbant ou du papier ciré avant de les placer dans l'appareil. Cela permet d'éviter que les aliments ne se dessèchent pendant le chauffage.

8.2 Réglage de la minuterie de cuisine

Vous pouvez régler une minuterie de cuisine jusqu'à 99 minutes et 59 secondes.

1. Touchez **Kitchen Timer (on/off)**.

- ✓  s'allume.
- ✓  clignote.

2. Entrez le temps souhaité à l'aide des touches numérotées.

Les chiffres se remplissent de droite à gauche. Pour régler le minuteur sur 5 minutes et 30 secondes, saisissez « 5 3 0 ».

3. Toucher **Kitchen Timer (on/off)** pour confirmer.

- ✓ La minuterie de cuisine commence le compte à rebours.
- ✓ Lorsque la minuterie de cuisine s'est écoulée, 4 bips retentissent. Vous pouvez arrêter le bip en touchant **Kitchen Timer (on/off)**.

Annuler la minuterie de cuisine

- ▶ Touchez **Kitchen Timer (on/off)** ou ouvrez la porte de l'appareil.


8.3 Fonctionnement du ventilateur de la ventilation

Le ventilateur déplace la vapeur et les autres vapeurs de cuisson de la surface de cuisson de la cuisinière sous l'appareil.

- ▶ Touchez **Vent (high/low)** à plusieurs reprises jusqu'à ce que vous atteigniez le niveau de ventilation souhaité.

Niveau du ventilateur de ventilation	Touche tactile Vent (high/low)
4 (Hi)	une fois
3	deux fois
2	3 fois
1 (Lo)	4 fois

Niveau du ventilateur de ventilation	Touche tactile Vent (high/low)
ARRÊT	5 fois

- ✓  et le niveau du ventilateur de ventilation s'allument sur l'affichage.

Remarque : Si la température devient trop élevée autour de l'appareil, le ventilateur de ventilation s'allumera automatiquement au réglage le plus bas pour refroidir l'appareil. Le ventilateur de ventilation s'éteint automatiquement lorsque les pièces internes sont froides. Lorsque cela se produit, le ventilateur de ventilation ne peut pas être arrêté manuellement.

8.4 Allumer ou éteindre l'éclairage de surface

L'appareil est équipé d'un éclairage de surface de cuisson, pour éclairer la surface en-dessous l'appareil.

- ▶ Touchez **Light** à plusieurs reprises jusqu'à ce que vous atteigniez le niveau de luminosité souhaité ou que vous éteigniez l'éclairage de la surface.

Luminosité	Touche tactile Light
Élevé	une fois
Faible	deux fois
Arrêt	3 fois

8.5 Allumer ou éteindre la plaque tournante

Pour les meilleurs résultats de cuisson, laissez la plaque tournante sous tension. Vous pouvez la mettre hors tension pour les plats plus grands.

MISE EN GARDE


La plaque tournante peut parfois devenir chaude.

- ▶ Laissez refroidir le plateau tournant après la cuisson avant de le toucher.


Ne faites pas fonctionner l'appareil sans le plateau tournant en place.

Ne faites pas fonctionner un appareil vide.

1. Touchez **Turntable (on/off)**.

- ✓  et **OFF** s'allument brièvement.
- ✓ Le plateau tournant s'arrête de tourner.

2. Pour rallumer le plateau tournant, touchez **Turntable (on/off)**.

- ✓  et **On** s'allument brièvement.
- ✓ Le plateau tournant commence à tourner.

8.6 La cuisson à convection

La cuisson par convection fait circuler l'air chaud dans la cavité de l'appareil à l'aide d'un ventilateur. L'air en circulation constante entoure l'aliment pour chauffer la

partie extérieure rapidement, pour un brunissement uniforme et pour saisir le goût par le mouvement constant de l'air chaud sur les surfaces de l'aliment.

⚠ MISE EN GARDE

La porte et l'extérieur de l'appareil ainsi que la grille deviennent chauds pendant la cuisson.

- ▶ Utilisez toujours des gants de four.

Recommandations d'ustensiles de cuisine pour la cuisson par convection

Utilisez toujours la grille de convection avec le mode convection.

Type de batterie de cuisine	Recommandations
Plats métalliques	<ul style="list-style-type: none"> ■ Recommandés pour tous les types de produits cuits au four, surtout lorsque le brunissement est important. ■ Les plateaux métalliques foncés ou d'une finition terne sont les mieux indiqués pour les pains et les tartes car ils absorbent la chaleur et produisent une croûte plus croustillante. ■ Les plateaux en aluminium luisants sont meilleurs pour les gâteaux, les biscuits ou les muffins car ils réfléchissent la chaleur et aident à produire une croûte légère et tendre.

Type de batterie de cuisine	Recommandations
Casseroles de verre ou de verre-céramique ou casseroles	<ul style="list-style-type: none"> ■ Conviennent mieux pour les recettes aux œufs et au fromage en raison de la facilité de nettoyage qu'offre le verre.

Réglage du mode de convection

Vous pouvez régler une température entre 200 °F (93 °C) et 425 °F (220 °C).

1. Touchez **Convection**.

- ✓  s'allume sur l'écran.
- ✓ 350 °F et **START** clignotent.

2. Entrez la température souhaitée à l'aide des touches numériques.

3. Touchez **Start/Enter**.

- ✓ Le préchauffage du four est lancé. La barre de progression commence à se remplir.
- ✓ N'ouvrez pas la porte de l'appareil pendant le préchauffage.
- ✓ Lorsque le préchauffage est terminé, l'appareil émet deux bips brefs et la barre de progression disparaît.

4. Placez la grille de convection et les aliments dans l'appareil.

Fermez la porte rapidement afin de maintenir la température.

5. Pour mettre fin à la cuisson par convection, appuyez sur **Clear/Off**.

Remarque : Pendant la cuisson par convection, le ventilateur de ventilation peut s'allumer automatiquement à la vitesse la plus basse pour refroidir les composants de l'appareil.

Recommandations pour la cuisson par convection

La plupart des produits de boulangerie nécessitent un préchauffage de l'appareil.


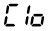
Aliment	Plat	Température en °F (°C)	Temps de cuisson en min.
Brownies	Plat carré, 9 po	325 (165)	25-35
Biscuits	Moule à cuisson, Ø 11 po	350-375 (175-190)	7-17
Biscuits	Moule à cuisson, Ø 11 po	325-350 (165-175)	8-16
Pâte feuilletée	Moule à cuisson, Ø 11 po	375 (190)	30-40
Tarte de fruits frais	Assiette à tarte foncée (Ø 8 po)	350-400 (175-205)	45-60
Petits pains	Moule à cuisson, Ø 11 po	325-350 (165-175)	15-22
Morceaux de poulet	Moule à cuisson, Ø 11 po	375 (190)	25-35
Darne de poisson, 1/2 po - 1 po d'épaisseur	Moule à cuisson, Ø 11 po	350 (175)	15-25
Côtelettes de porc, 1/2 po d'épaisseur	Moule à cuisson, Ø 11 po	400-425 (205-220)	15-20
Pizza surgelée, croûte croustillante	Grille de convection	375-425 (190-220)	14-25

Aliment	Plat	Température en °F (°C)	Temps de cuisson en min.
Pizza surgelée, croûte molle	Plaque à pizza, 12 po	400-425 (205-220)	18-25

8.7 Réglages de base

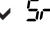

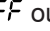
Vous pouvez modifier les réglages de base de votre appareil en fonction de vos besoins.

Présentation des paramètres de base

Affichage	Fonction	Touche tactile Settings
	Sons des touches <ul style="list-style-type: none"> ▪ Marche ▪ Arrêt 	Une fois
	Affichage de l'horloge en mode veille <ul style="list-style-type: none"> ▪ Marche ▪ Arrêt 	Deux fois

Modification des réglages de base

Remarque : Vous pouvez seulement modifier un réglage à la fois. Pour modifier un autre paramètre, quittez le menu des paramètres et commencez par le haut.

1. Touchez **Settings**.
- ✓  et  ou  alternent à l'écran.
2. Touchez **Settings** à nouveau pour passer au réglage de base suivant.
3. Saisissez l'option de réglage souhaitée à l'aide des touches numériques 1 ou 2.
4. Touchez **Start/Enter** pour confirmer.
5. Touchez **Clear/Off** pour quitter le menu des paramètres.

9 Programmes du capteur

9.1 Décongélation automatique

Avec la fonction Auto Defrost (Décongélation automatique), vous pouvez décongeler trois différents types d'aliments en entrant leur poids. Le temps de décongélation idéal sera calculé par le programme.

AVERTISSEMENT




Pour éviter tout risque pour la santé, drainez du liquides qui seront produits lors de la décongélation de viande ou de volaille quand vous retournez la les aliments. En

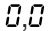
Programme de décongélation automatique

Numéro de programme	Aliment	Plage de poids
<i>DEF1</i>	Viande hachée	de 227 g à 1,4 kg (0,5 à 3 lb)
<i>DEF2</i>	Morceaux de viande, comme les steaks, les côtelettes	de 227 g à 1,4 kg (0,5 à 3 lb)
<i>DEF3</i>	Morceaux de volaille	de 227 g à 1,4 kg (0,5 à 3 lb)

aucune circonstance devriez-vous l'utiliser à d'autres fins ou lui permettre d'entrer en contact avec d'autres aliments.

Réglage du dégivrage automatique

1. Touchez **Auto Defrost** une fois.  lb et  s'allume sur l'affichage.
 - ✓  s'allume à l'écran.
 - ✓ *DEF1* et **START** clignotent.
2. Touchez **Auto Defrost** à plusieurs reprises jusqu'à ce que le numéro de programme souhaité s'affiche à l'écran.

Reportez-vous à l'étiquette de menu au bas de la cavité de l'appareil ou consultez le tableau des programmes dans ce manuel.
3. Touchez **Start/Enter**.
 - ✓  lb clignote à l'écran.
4. Entrez le poids de l'aliment à cuire avec les touches numérotées.
5. Touchez **Start/Enter**.
 - ✓ Le programme commence.
6. Pendant le dégivrage, un bip retentit.
 - Retournez les aliments ou séparez les morceaux.
 - Fermez la porte de l'appareil et touchez **Start/Enter**.
- ✓ Une fois le programme terminé, 4 bips retentissent.
- ✓ L'appareil s'éteint et l'heure du jour s'affiche.

Recommandations pour le dégivrage

Suivez ces recommandations pour obtenir les meilleurs résultats de dégivrage.

- Utilisez un plat peu profond allant au micro-ondes, comme une cocotte en verre ou une assiette en verre, mais ne couvrez pas.
- Entrez toujours le poids en lb lorsque vous utilisez la fonction de décongélation selon le poids (0,1 à 6,0 lb).
- Utilisez le mode de décongélation uniquement pour les aliments crus.
- La décongélation donne les meilleurs résultats lorsque l'aliment a décongelé et a un minimum de 0 °F (pris directement du congélateur). Si l'aliment a été rangé dans un réfrigérateur-congélateur qui ne maintient pas une température de 5 °F ou moins, programmez toujours un poids d'aliment inférieur ou un temps de cuisson inférieur pour empêcher de cuire l'aliment.
- Si l'aliment congelé est rangé à l'extérieur du congélateur pendant jusqu'à 20 minutes, entrez un temps ou un poids de cuisson réduit.
- La forme de l'emballage modifiera le temps de décongélation. Les paquets d'aliments rectangulaires et minces se décongèlent plus rapidement qu'un bloc d'aliments congelés épais.

- Séparez les morceaux à mesure qu'ils se décongèlent. Les morceaux d'aliments congelés séparés se décongèlent mieux.
- Protégez les zones chaudes de l'aliment avec de petits morceaux de feuille en aluminium si elles commencent à se chauffer. Utilisez des petits morceaux de feuille en aluminium pour protéger les aliments comme les ailes de poulet, les extrémités des cuisses et les queues de poisson. Ne laissez pas le papier d'aluminium toucher la cavité de l'appareil lors du dégivrage.

Conseils pour le temps de repos

- Laisser reposer les aliments décongelés pendant 10 à 30 minutes supplémentaires jusqu'à ce qu'ils atteignent une température uniforme.
- Il faut prévoir pour les gros morceaux de viande un temps de repos plus long que pour les morceaux plus petits.
- Séparez les morceaux plats de viande et les articles à base de viande hachée les uns des autres avant de les laisser reposer.
- Après ce temps-là, vous pouvez continuer de préparer l'aliment, même si des morceaux de viande épais sont toujours congelés au centre.

Recommandations pour décongeler la viande

Pour les meilleurs résultats, veuillez lire ces suggestions quand vous décongelez la viande.

Viande	Plage de poids	Recommandations
Viande hachée	0,5 - 3,0 lb (8 - 48 oz)	Après chaque étape, retirez les pièces qui sont presque décongelées. Laissez au repos avec de la feuille en aluminium pendant 5 à 10 minutes.
Steaks, côtelettes ou poisson	0,5 - 3,0 lb (8 - 48 oz)	Après chaque étape, réorganisez les aliments. Si des portions de l'aliment sont chaudes ou décongelées, protégez-les avec des petits morceaux étroits de feuille d'aluminium. Retirez les morceaux qui sont presque décongelés. Laissez au repos couvert pendant environ 5 à 10 minutes.
Morceaux de poulet	0,5 - 3,0 lb (8 - 48 oz)	Après chaque étape, redispensez ou retirez les morceaux d'aliment qui sont presque décongelés. Laissez au repos couvert pendant environ 5 à 10 minutes.

9.2 Capteur de réchauffage

Avec cette fonction, vous pouvez réchauffer des assiettes plates ou des casseroles de 8 à 12 oz.

Réglage du réchauffage du capteur

1. Placez les aliments dans une assiette à dîner allant au micro-ondes et couvrez-les d'une pellicule plastique ventilée ou de papier ciré.
2. Touchez **Sensor Reheat** une fois.
- ✓ **5-- /** et **START** clignotent à l'écran.
3. Touchez **Sensor Reheat** à plusieurs reprises jusqu'à ce que le numéro de programme souhaité s'affiche à l'écran.

Reportez-vous à l'étiquette de menu au bas de la cavité de l'appareil ou consultez le tableau des programmes dans ce manuel.

4. Touchez **Start/Enter** pour démarrer le processus de détection.

Remarque : N'ouvrez pas la porte pendant le processus de détection, sinon le programme sera annulé.

- ✓ **SENS.** s'allume sur l'écran.
 - ✓ Lorsque la détection est terminée, 2 bips courts retentissent et le temps de cuisson calculé commence à décompter.
5. Une fois que le temps de cuisson calculé est affiché, vous pouvez ouvrir la porte pour brasser, retourner ou redispensez l'aliment. Touchez **Start/Enter** pour reprendre le fonctionnement.

- ✓ Une fois le programme terminé, 4 bips retentissent.
- ✓ L'appareil s'éteint et l'heure du jour s'affiche.

Programmes de réchauffage par capteur

Numéro de programme	Aliment	Quantité
5r-1	Assiette de diner	1 portion
5r-2	Casserole, pâtes	1 - 4 portions

Recommandations pour le réchauffage

Aliment	Recommandations	Quantité
Assiette de diner	<ul style="list-style-type: none"> ■ Utilisez uniquement des aliments réfrigérés précuits. ■ Couvrez l'assiette avec une pellicule de plastique ou du papier ciré aéré, rangé sous l'assiette. ■ Si les aliments ne sont pas assez chauds après avoir été chauffés avec la fonction Sensor Reheat, continuez à chauffer en utilisant le réglage manuel de l'heure et du niveau de puissance. Inclut : <ul style="list-style-type: none"> ■ Viande 3-4 oz, volaille ou poisson (jusqu'à 6 oz avec os) ■ une demi-tasse de féculent (pommes de terre, pâtes, riz, etc.) ■ 1/2 tasse de légumes (environ 3-4 oz). 	1 portion (1 plat)
Casserole, pâtes	<ul style="list-style-type: none"> ■ Utilisez uniquement des aliments réfrigérés précuits. ■ Plats à couvercle avec couvercle ou pellicule en plastique aérée. ■ Si les aliments ne sont pas assez chauds après avoir été chauffés avec la fonction Sensor Reheat, continuez à chauffer en utilisant le réglage manuel de l'heure et du niveau de puissance. Inclut : <ul style="list-style-type: none"> ■ Aliments réfrigérés dans une casserole (comme un ragoût de bœuf ou une lasagne) ■ Spaghetti et ravioli en boîte, aliments réfrigérés 	1 - 4 portions

9.3 Cuisson par capteur

La fonction cuisson par capteur vous permet de cuire plusieurs de vos aliments préférés sans sélectionner les temps de cuisson ou les niveaux de puissance. L'appareil détermine automatiquement le temps de cuisson requis pour chaque aliment.

Pour les meilleurs résultats :

- Les aliments cuits avec le système à capteurs devraient être cuits à partir de leur température de rangement normale.
- Le plateau tournant, le plateau en verre et l'extérieur du récipient doivent être secs.
- Les aliments doivent toujours être couverts lâchement avec de la pellicule en plastique, du papier ciré ou un couvercle convenant aux micro-ondes.
- N'ouvrez pas la porte et ne touchez pas **Clear/Off** lors de la détection. Lorsque la détection est terminée, l'appareil émet deux bips et le temps de cuisson restant s'affiche à l'écran. **Vous pouvez alors ouvrir la porte pour mélanger, retourner ou redispser l'aliment.**

Réglage du capteur cuisson

1. Touchez **Sensor Cook**.

- ✓ 5c-1 et **START** clignotent.

2. Touchez **Sensor Cook** à plusieurs reprises jusqu'à ce que le numéro de programme souhaité s'affiche. Reportez-vous à l'étiquette de menu au bas de la cavité de l'appareil ou consultez le tableau des programmes dans ce manuel.

3. Touchez **Start/Enter** pour démarrer le processus de détection.

Remarque : N'ouvrez pas la porte pendant le processus de détection, sinon le programme sera annulé.

- ✓ **SENS.** s'allume sur l'écran.

- ✓ Lorsque la détection est terminée, 2 bips courts retentissent et le temps de cuisson calculé commence à décompter.

4. Une fois que le temps de cuisson calculé est affiché, vous pouvez ouvrir la porte pour brasser, retourner ou redispser l'aliment. Touchez **Start/Enter** pour reprendre le fonctionnement.

- ✓ Une fois le programme terminé, 4 bips retentissent.
- ✓ L'appareil s'éteint et l'heure du jour s'affiche.

Programmes de capteur cuisson

Numéro de programme	Aliment	Quantité	Recommandations pour la cuisson
5c-1	Pomme de terre au four	1 - 4 pommes de terre (8-32 oz)	Après la cuisson, laisser reposer dans l'aluminium pendant 5 minutes.
5c-2	Patate douce	1 - 4 pommes de terre (8-32 oz)	Après la cuisson, laisser reposer dans l'aluminium pendant 5 minutes.
5c-3	Légumes frais	8-24 oz (0,5-1,5 lb)	Ne pas ajouter d'eau si les légumes viennent d'être lavés. Ajouter 2 cuillères à soupe d'eau par 8 oz (227 g) de légumes frais.
5c-4	Légumes surgelés	8-24 oz (0,5-1,5 lb)	Ajouter 1 cuillère à soupe d'eau par 4 oz (113 g) de légumes congelés.
5c-5	Viande hachée	8-24 oz (0,5-1,5 lb)	Après la cuisson, laisser reposer couvert pendant 3 à 4 minutes.
5c-6	Poisson/Fruits de mer	8-24 oz (0,5-1,5 lb)	Rouler les extrémités minces vers l'intérieur. Disposer en cercle autour d'un plat allant au micro-ondes.
5c-7	Riz brun	125 à 500 ml (1/2 à 2 t) de riz sec	Utiliser une casserole à rebord élevé. Ne pas couvrir. Utiliser 1 tasse de riz pour 3 tasses d'eau.
5c-8	Riz blanc	125 à 500 ml (1/2 à 2 t) de riz sec	Utiliser une casserole à rebord élevé et un couvercle. Utiliser 1 tasse de riz pour 3 tasses d'eau.
5c-9	Plat congelé	-	Suivre les instructions de l'emballage pour la ventilation, couper la pellicule de plastique, etc.

10 Fonctionnement commode**10.1 Boisson**

Avec la fonction boisson, vous pouvez réchauffer entre 0,5 et 2 tasses d'une boisson.

Quantité	Touche tactile Beverage
0,5 tasse, environ 8 oz	Une fois
1 tasse, environ 16 oz	Deux fois
1,5 tasse, environ 24 oz	3 fois
2 tasse, environ 32 oz	4 fois

Réglage de la fonction boisson

Exemple : Chauffez 1 tasse de boisson.

⚠ MISE EN GARDE

Les boissons chauffées avec la fonction de boisson peuvent être très chaudes.

► Soyez prudent au moment de retirer le contenant.

Exigence : Utilisez une tasse micro-ondable; ne couvrez pas.

1. Touchez **Beverage** deux fois.

✓ 2 et **START** clignotent.

2. Touchez **Start/Enter**.

✓ Une fois le programme terminé, 4 bips retentissent.

✓ L'appareil s'éteint et l'heure du jour s'affiche.

3. Remuer après chauffage.

Remarque : Laissez l'appareil refroidir pendant au moins 5 minutes avant de le réutiliser.

10.2 Popcorn

La fonction pop-corn vous permet de faire éclater 3 tailles de sac différentes de pop-corn pour micro-ondes emballé dans le commerce.

Taille du sac	Touche tactile Popcorn
1,2 oz	Une fois
2,5 oz	Deux fois
3,5 oz	3 fois

Réglage de la fonction pop-corn

Exemple : Faire éclater un sac de pop-corn de 3,5 oz.

⚠ MISE EN GARDE

Ne laissez pas l'appareil sans surveillance lorsque vous faites éclater du maïs. Le popcorn pourrait s'enflammer et provoquer un incendie.

⚠ MISE EN GARDE

Soyez prudent lorsque vous retirez et ouvrez le sac de pop-corn chaud de l'appareil.

1. Touchez **Popcorn** 3 fois.
 - ✓ **3** et **START** clignotent.
2. Touchez **Start/Enter**.
 - ✓ Une fois le programme terminé, 4 bips retentissent.
 - ✓ L'appareil s'éteint et l'heure du jour s'affiche.

Remarques

- Laissez l'appareil refroidir pendant au moins 5 minutes avant de le réutiliser.
- Faites cuire un sac de pop-corn « pour micro-ondes uniquement » à la fois.

10.3 Garder au chaud

Vous pouvez garder les aliments cuits au chaud dans votre micro-ondes jusqu'à 60 minutes.

- Utilisez le mode Garder au chaud pour conserver les mets chauds et prêts à servir.
- Les aliments couverts à la cuisson doivent rester couverts au chaud.
- Les articles de pâtisserie, tels que les tartes et les chaussons, doivent être découverts.
- Les repas complets conservés à chaud sur un plat de service peuvent être couverts pendant le mode Garder au chaud.

10.4 Autres modes

Avec la touche tactile **More Modes** vous pouvez accéder à d'autres programmes pratiques.

Numéro de mode	Nom	Entrée
1	Fondre du beurre	<ul style="list-style-type: none"> ■ 1 = 2 cuillères à soupe ■ 2 = ¼ tasse ■ 3 = ½ tasse
2	Fondre du chocolat	<ul style="list-style-type: none"> ■ 1 = 1 tasse ■ 2 = 2 tasses
3	Ramollir de la crème glacée	<ul style="list-style-type: none"> ■ 1 = 4 oz ■ 2 = 8 oz ■ 3 = 16 oz ■ 4 = 32 oz ■ 5 = 48 oz
4	Ramollir fromage à la crème	<ul style="list-style-type: none"> ■ 1 = 3 oz ■ 2 = 6 oz ■ 3 = 8 oz
5	Temps de décongélation	Entrez le temps de décongélation

Réglages des autres modes

1. Touchez **More Modes** une fois.
 - ✓ **!** et **START** clignotent.
2. Touchez **More Modes** à plusieurs reprises jusqu'à ce que le numéro de programme souhaité s'affiche.
Reportez-vous à l'étiquette de menu au bas de la cavité de l'appareil ou consultez le tableau des programmes dans ce manuel.
3. Touchez **Start/Enter**
 - ✓ Pour les modes 1 à 4 : **!** et **START** clignotent.
 - ✓ Pour le mode 5 : **00:00** clignote.


Réglage de la fonction de maintien au chaud

⚠ MISE EN GARDE

LORSQUE VOUS UTILISEZ LE MODE MAINTIEN AU CHAUD, SUIVEZ CES DIRECTIVES :

- ▶ N'utilisez pas le mode de maintien au chaud pour réchauffer des aliments froids.
- ▶ Veiller à garder la nourriture à la bonne température. L'USDA recommande de maintenir les aliments chauds à 140 ° F (60 ° C) ou plus.
- ▶ NE PAS maintenir des aliments au chaud pendant plus d'une heure.

1. Touchez **Keep Warm**.

- ✓  s'allume sur l'écran.
- ✓ **00:00** clignote.

2. Entrez le temps de cuisson souhaité avec les touches numérotées.

3. Touchez **Start/Enter**.

- ✓ Une fois le temps écoulé, l'appareil émet un bip.
- #### 4. Touchez **Clear/Off** pour arrêter le bip.

4. Pour le mode 1-4 : Saisissez la catégorie de poids souhaitée. Pour le mode 5 : Saisissez le temps de dégivrage souhaité à l'aide des touches numériques.
5. Touchez **Start/Enter**.
 - ✓ Une fois le programme terminé, 4 bips retentissent.
 - ✓ L'appareil s'éteint et l'heure du jour s'affiche.

11 Tableaux de cuisson

Les tableaux sont à titre indicatif. Respectez le mode de préparation de l'emballage ou de la recette.

11.1 Cuisson de la viande au micro-ondes

- Placer les viandes préparées sur une grille à rôtir allant au micro-ondes dans un plat allant au micro-ondes.
- Commencez à cuire la viande côté gras vers le bas.
- Si nécessaire, utilisez des bandes étroites de papier d'aluminium pour protéger les pointes d'os ou les zones de viande minces.
- Après la cuisson, vérifiez la température à plusieurs endroits avant de laisser reposer la viande le temps recommandé.
- Les températures dans les tableaux suivants sont des températures au moment du retrait ; la température augmentera pendant la période de repos.
- Suivez les recommandations pour le temps de repos.
→ "Temps de repos", Page 60

Viande	Niveau de puissance	Temps de cuisson	Directions
Rôti de boeuf, désossé jusqu'à 4 lb	10 - Élevé, pendant les 5 premières minutes puis 5 - Moyen	Pour 160 °F (71 °C) - moyen : ■ 12-17 min/lb Pour 170 °F (76 °C) - bien cuit : ■ 14-19 min/lb	<ul style="list-style-type: none"> ■ Placer le rosbif côté gras vers le bas sur une grille à rôtir. ■ Couvrez avec du papier ciré. ■ Retourner à la mi-cuisson. ■ Laissez au repos pendant 10 à 15 minutes.¹
Rôti de porc, désossé ou avec os jusqu'à 4 lb	10 - Élevé, pendant les 5 premières minutes puis 5 - Moyen	Pour 170 °F (76 °C) - bien cuit : ■ 14-19 min/lb	<ul style="list-style-type: none"> ■ Placer le rôti de porc côté gras vers le bas sur une grille à rôtir. ■ Couvrez avec du papier ciré. ■ Retourner à la mi-cuisson. ■ Laissez au repos pendant 10 à 15 minutes.¹

¹ Attendez-vous à une augmentation de la température de 10 °F (6 °C) pendant la période de repos.

11.2 Cuisson de la volaille au micro-ondes

- Placer la volaille sur une grille à rôtir allant au micro-ondes dans un plat allant au micro-ondes.
- Couvrir la volaille de papier ciré pour éviter les éclaboussures.
- Utilisez des bandes étroites de papier d'aluminium pour protéger les pointes d'os ou les zones de viande minces, ou les zones qui commencent à trop cuire.
- Après la cuisson, vérifiez la température à plusieurs endroits avant de laisser reposer la viande le temps recommandé.
- Suivez les recommandations pour le temps de repos.
→ "Temps de repos", Page 60

Viande	Niveau de puissance	Temps de cuisson	Température	Directions
Poulet entier jusqu'à 4 lb	7 - Moyen élevé	7-10 min/lb	<ul style="list-style-type: none"> ■ 170 °F (76 °C) pour la viande brune ■ 160 °F (71 °C) pour la viande blanche 	<ul style="list-style-type: none"> ■ Placer le poulet côté poitrine vers le bas sur la grille de rôtissage. ■ Couvrez avec du papier ciré. ■ Retourner à la mi-cuisson. ■ Cuire jusqu'à ce que le jus soit clair et que la viande près de l'os ne soit plus rose. ■ Laissez au repos pendant 10 à 15 minutes
Morceaux de poulet jusqu'à 4 lb	7 - Moyen élevé	7-10 min/lb	<ul style="list-style-type: none"> ■ 170 °F (76 °C) pour la viande brune ■ 160 °F (71 °C) pour la viande blanche 	<ul style="list-style-type: none"> ■ Placez le poulet côté os vers le bas sur le plat, avec les parties les plus épaisses vers l'intérieur du plat. ■ Couvrez avec du papier ciré. ■ Retourner à la mi-cuisson. ■ Cuire jusqu'à ce que le jus soit clair et que la viande près de l'os ne soit plus rose. ■ Laissez au repos pendant 10 à 15 minutes

11.3 Temps de repos

Suivez ces directives pour le temps de repos pour des résultats de cuisson sûrs.

Viande	Point de cuisson	Retirez de l'appareil	
		Température en °F (°C)	
		Après avoir reposé pendant 10-15 min.	
		Température en °F (°C)	
Bœuf	Moyen	150 (65)	160 (71)
	Bien cuit	160 (71)	170 (77)
Porc	Moyen	150 (65)	160 (71)
	Bien cuit	160 (71)	170 (77)
Volaille	Viande brune	170 (77)	180 (82)
	Viande blanche	160 (71)	170 (77)

11.4 Cuisson des œufs dans le micro-ondes

- Ne cuisez jamais les œufs dans leur coquille et ne réchauffez jamais des œufs durs dans leur coquille, au risque de les éclater.
- Percez toujours le jaune d'œuf des œufs entiers pour les empêcher d'éclater.
- Cuisez les œufs jusqu'à ce qu'ils soient pris; ils durciront s'ils sont trop cuits.
- La cuisson des œufs brouillés est permise.

11.5 Cuisson de légumes dans votre micro-ondes

- Lavez les légumes juste avant la cuisson. De l'eau supplémentaire est rarement nécessaire. Si des légumes denses, comme des pommes de terre ou des carottes sont à cuire, ajoutez environ un quart de tasse d'eau.
- Les petits légumes, comme les carottes tranchées, les pois ou les haricots de Lima, cuiront plus rapidement que les gros légumes.

- Les légumes entiers, comme les pommes de terre, les courges poivrées, les épis de maïs, etc., doivent être disposés en cercle sur le plateau tournant avant la cuisson. Ils cuiront de façon plus uniforme si vous les retournez à mi-cuisson.
- Placez toujours les légumes comme les asperges et le brocoli avec les tronçons pointés vers le bord du plat et les pointes vers le centre.
- Lorsque vous faites cuire des légumes coupés, couvrez toujours le plat avec un couvercle ou une pellicule de plastique micro-ondable aérée.
- Pour les légumes entiers non pelés, comme les pommes de terre, les patates douces, les courges, les aubergines, etc., piquez la peau des légumes à plusieurs endroits avant la cuisson pour éviter qu'ils n'éclatent.
- Pour une cuisson plus uniforme, brassez ou redispousez les légumes entiers à mi-cuisson.
- Plus la nourriture est dense, plus le temps de repos requis est long. Par exemple, une pomme de terre cuite au four devrait être laissée au repos pendant 5 minutes avant de la servir, tandis qu'un plat de petits pois peut être servi immédiatement.

11.6 Cuisson de fruits de mer dans le micro-ondes

- Assurez-vous de placer le poisson sur une grille à rôtir allant au micro-ondes dans un plat allant au micro-ondes.
- Assurez-vous de toujours cuire le poisson jusqu'à ce qu'il se détache facilement à la fourchette.
- Utilisez un couvercle bien serré pour cuire à la vapeur le poisson; un couvercle plus léger de papier ciré ou de serviette de papier réduit l'efficacité de la cuisson à la vapeur.
- Assurez-vous de ne pas trop cuire le poisson; vérifier la cuisson au temps de cuisson minimum avant de cuire plus longtemps.

Fruits de mer	Niveau de puissance	Temps de cuisson	Directions
Steaks de poisson jusqu'à 1 ½ lb	7 - Moyen élevé	7-11 min/lb	<ul style="list-style-type: none"> ■ Disposez le poisson sur une grille à rôtir avec les parties charnues vers l'extérieur de la grille. ■ Couvrez avec du papier ciré. ■ Retournez et redispousez à mi-cuisson. ■ Faites cuire jusqu'à ce que le poisson se détache facilement à la fourchette. ■ Laissez au repos pendant 3 à 5 minutes

Fruits de mer	Niveau de puissance	Temps de cuisson	Directions
Filets de poisson jusqu'à 1 ½ lb	7 - Moyen élevé	7-11 min/lb	<ul style="list-style-type: none"> ■ Disposez les filets dans un plat allant au four, en tournant les morceaux minces se trouvant en-dessous. ■ Couvrez avec du papier ciré. ■ Si plus de ½ po d'épaisseur, retourner et réorganiser à mi-cuisson. ■ Faites cuire jusqu'à ce que le poisson se détache facilement à la fourchette. ■ Laissez au repos pendant 2 à 3 minutes
Crevette jusqu'à 1 ½ lb	7 - Moyen élevé	7-11 min/lb	<ul style="list-style-type: none"> ■ Disposez les crevettes dans un plat allant au four sans les chevaucher ou les entasser. ■ Couvrez avec du papier ciré. ■ Faites cuire jusqu'à ce qu'elles soient fermes et opaques. Remuer 2 ou 3 fois pendant la cuisson. ■ Laisser reposer 5 minutes

12 Nettoyage et entretien

Pour que votre appareil reste longtemps opérationnel, nettoyez-le et entretenez-le avec soin.

12.1 Produits de nettoyage

Utilisez uniquement des produits de nettoyage appropriés pour éviter d'endommager les surfaces de l'appareil.

Noms de marques

- L'utilisation de noms de marque vise uniquement à indiquer un type de nettoyant. Cela ne constitue pas une approbation.
- L'omission d'un nettoyant de marque n'implique pas son adéquation ou son insuffisance.
- De nombreux produits sont de distribution régionale et peuvent être trouvés sur les marchés locaux.
- Il est impératif que tous les produits de nettoyage soient utilisés en stricte conformité avec les instructions sur son emballage.

Éviter ces produits de nettoyage

Ne pas utiliser les produits de nettoyage commerciaux tels que Easy Off®¹. Ils pourraient endommager le fini ou les pièces de l'appareil. Le chlore ou les composés chlorés de certains nettoyants sont corrosif pour l'acier inoxydable. Vérifier les ingrédients sur l'étiquette. Ne jamais utiliser des tampons à récurer ou des produits de nettoyage abrasifs.

AVERTISSEMENT

Assurez-vous que tout l'appareil a refroidi et que la graisse s'est solidifiée avant d'essayer de nettoyer une partie de l'appareil.

AVERTISSEMENT

Pour éviter tout risque d'électrocution, N'UTILISEZ PAS de nettoyeur haute pression ou de nettoyer à vapeur pour nettoyer l'appareil. L'humidité qui pénètre peut occasionner une électrocution.

¹ Ces marques sont des marques déposées de leurs propriétaires respectifs. Toutes les autres marques sont des marques de BSH Home Appliances Corporation ou ses sociétés affiliées.

Recommandations en matière de nettoyage

Nettoyez uniquement les parties de votre appareil répertoriées dans le tableau de nettoyage.

- Prenez soin de garder le panneau intérieur de la porte et le cadre avant de l'appareil exempts d'aliments et d'accumulation de graisse.
- N'utilisez jamais de poudre ou de tampons à récurer abrasifs.
- Essuyez les éclaboussures immédiatement avec une serviette de papier mouillée, surtout après la cuisson d'aliments gras comme le poulet ou le bacon.
- Nettoyez votre appareil une fois par semaine ou plus souvent, si nécessaire.
- Ne faites jamais fonctionner l'appareil sans nourriture dans la cavité de l'appareil ; cela peut endommager le tube magnétron ou le plateau en verre.
- Vous pouvez laisser une tasse d'eau à l'intérieur de l'appareil lorsqu'il n'est pas utilisé pour éviter tout dommage si l'appareil est accidentellement allumé.

Pièce	Méthode de nettoyage appropriée	Recommandations
Cavité de l'appareil	<ul style="list-style-type: none"> ■ Essuyez immédiatement tous les déversements. ■ Nettoyer avec un chiffon propre et humide et un savon doux. ■ Pour aider à détacher les particules alimentaires ou les liquides cuits : <ul style="list-style-type: none"> – Faites chauffer 2 tasses d'eau dans un plat de 4 tasses allant au micro-ondes au niveau de puissance 10 pendant 5 minutes ou jusqu'à ébullition. – Vous pouvez ajouter le jus d'un citron si vous souhaitez conserver l'odeur fraîche de l'appareil. – Laissez-le reposer dans la cavité de l'appareil pendant 1 ou 2 minutes. 	<ul style="list-style-type: none"> ■ Gardez la cavité de l'appareil propre. Les particules alimentaires et les liquides renversés peuvent coller aux parois de la cavité de l'appareil, ce qui rend l'appareil moins efficace. ■ N'UTILISEZ PAS des détergents puissants ou des nettoyeurs abrasifs. ■ Retirez le plateau tournant en verre de l'appareil lors du nettoyage de la cavité de l'appareil.
Grille métallique	<ul style="list-style-type: none"> ■ Laver à l'eau savonneuse. ■ Rincez à fond et séchez ou frottez doucement avec une poudre de nettoyage ou des tampons savonneux selon les instructions. 	
Plaque tournante de verre	<ul style="list-style-type: none"> ■ Laver à l'eau chaude savonneuse ou au lave-vaisselle. 	<ul style="list-style-type: none"> ■ Laissez refroidir le plateau tournant en verre avant de le manipuler. ■ Retirez le plateau tournant en verre de la cavité de l'appareil pour le nettoyer. ■ NE mettez PAS le plateau tournant en verre dans l'eau immédiatement après la cuisson.
Support de rouleau du plateau tournant	<ul style="list-style-type: none"> ■ Nettoyez avec de l'eau tiède savonneuse. Rincez à fond et séchez. 	
Vitre de porte	<ul style="list-style-type: none"> ■ Laver avec de l'eau et du savon ou un nettoyant pour vitres, ou appliquer un nettoyant tout usage sur une éponge ou une serviette en papier propre et essuyer. ■ Si de la vapeur s'accumule à l'intérieur ou à l'extérieur de la porte de l'appareil, essuyez-la avec un chiffon doux. De la vapeur peut s'accumuler lors de l'utilisation de l'appareil dans des conditions d'humidité élevée. Cela n'indique en aucun cas une fuite de micro-ondes. 	<ul style="list-style-type: none"> ■ N'utilisez pas de nettoyeurs abrasifs, tels que des agents de nettoyage en poudre, des tampons en laine d'acier et des nettoyeurs pour four.
Surfaces peintes	<ul style="list-style-type: none"> ■ Nettoyez avec de l'eau chaude savonneuse ou appliquez un nettoyant tout usage sur une éponge ou une serviette en papier propre et essuyez. 	<ul style="list-style-type: none"> ■ N'utilisez pas de nettoyeurs abrasifs, tels que des agents de nettoyage en poudre, des tampons en laine d'acier et des nettoyeurs pour four.

Pièce	Méthode de nettoyage appropriée	Recommandations
Surfaces en acier inoxydable	<ul style="list-style-type: none"> Nettoyer avec une éponge savonneuse, puis rincer et sécher, ou essuyer avec Fantastik® vaporisé sur une serviette en papier. Protéger et polir avec le produit Stainless Steel Magic® et un chiffon doux. Retirer les traces d'eau avec un chiffon humecté de vinaigre blanc. 	<ul style="list-style-type: none"> Essuyez ou frottez toujours dans la direction du grain. N'UTILISEZ PAS de nettoyant contenant du chlore, car cela pourrait rouiller l'acier inoxydable.
Plastique et contrôles	<ul style="list-style-type: none"> Lorsqu'il est refroidi, nettoyez à l'eau savonneuse puis rincez et séchez. 	
Zones imprimées (mots et chiffres)	<ul style="list-style-type: none"> Nettoyer à l'eau savonneuse, rincer et sécher. 	<ul style="list-style-type: none"> NE PAS utiliser de nettoyants abrasifs ou de solvants à base de pétrole.

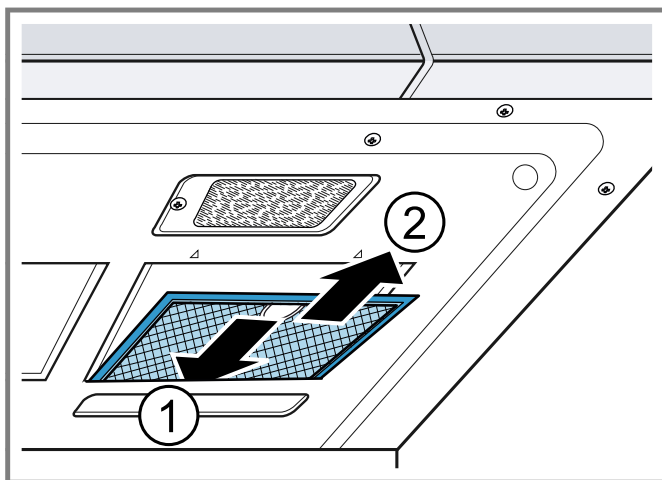
12.2 Nettoyage des filtres de ventilation

Les filtres de ventilation doivent être retirés et nettoyés fréquemment, généralement au moins une fois par mois.

⚠ MISE EN GARDE

Pour éviter tout risque de blessures ou de dommages matériels, ne faites pas fonctionner l'évent sans les filtres correctement en place.

- Pour retirer les filtres de ventilation, faites glisser le filtre vers l'arrière. Puis tirez le filtre vers le bas et poussez vers l'autre côté. Le filtre tombe. Répétez l'opération pour le deuxième filtre.



- Faire tremper les filtres de ventilation dans de l'eau chaude à l'aide d'un détergent doux. Rincez bien et secouez pour sécher.

Remarque : N'utilisez pas de l'ammoniaque et ne lavez pas au lave-vaisselle. L'aluminium du filtre se corrodera et se noircira.

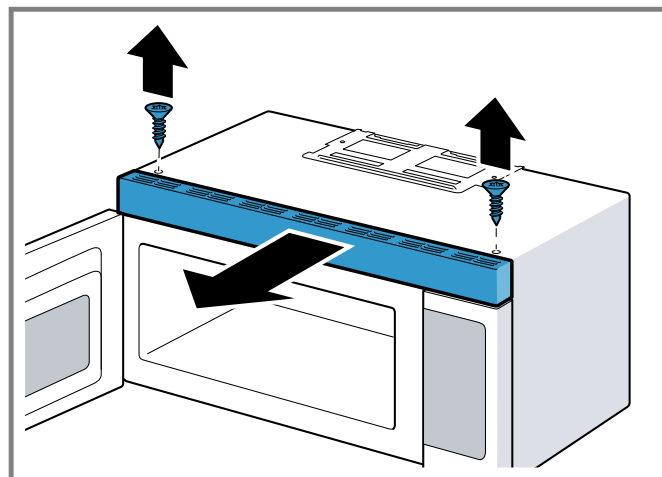
- Pour réinstaller un filtre de ventilation de l'appareil, faites-le glisser dans la fente latérale, puis poussez vers le haut et vers l'appareil pour le verrouiller. Réinstallez le deuxième filtre en suivant la même procédure.

12.3 Remplacement du filtre anti-odeurs

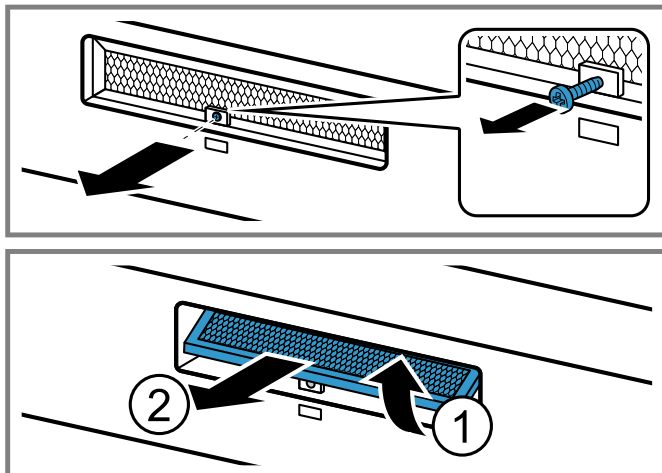
Le filtre anti-odeurs fourni avec votre appareil est utilisé pour une installation sans évacuation et avec recirculation, c'est-à-dire une évacuation de la pièce. Le filtre doit être remplacé tous les 6 à 12 mois selon l'utilisation.

Remarque : Si vous n'installez pas de filtre anti-odeurs, il n'est pas possible de lier les substances odorantes dans les vapeurs de cuisson. Le filtre anti-odeurs de rechange peut être acheté auprès de la Bosch boutique en ligne www.bosch-home.com/us/shop, numéro de pièce **00755547**.

- Débranchez l'alimentation de l'appareil au niveau du panneau de disjoncteurs ou en le débranchant.
- Retirez les vis de montage de la grille de ventilation.
- Retirez la grille de ventilation de l'appareil.



4. Retirez la vis à l'avant du filtre anti-odeurs. Poussez le filtre anti-odeurs vers le haut en l'inclinant légèrement vers l'arrière, puis soulevez-le.



5. Installez un nouveau filtre anti-odeurs.
6. Remettez délicatement la grille de ventilation en place et replacez les vis retirées précédemment.

13 Dépannage

Vous pouvez éliminer vous-même les défauts mineurs de votre appareil. Veuillez lire les informations de dépannage avant de contacter le service à la clientèle. Cela peut éviter des frais de visite inutiles.

AVERTISSEMENT

Des réparations mal exécutées sont dangereuses.

- ▶ Seuls les prestataires de services agréés doivent réparer l'appareil.

- ▶ Si le cordon d'alimentation secteur ou le cordon d'alimentation de l'appareil est endommagé, ils doivent être remplacés par des cordons spécifiques disponibles auprès du fabricant ou de son service après-vente.
- ▶ Seules des pièces de rechange d'origine peuvent être utilisées pour réparer l'appareil.
- ▶ Si l'appareil a un problème, appelez le service client.

Défaut	Cause et dépannage
L'appareil et l'écran ne fonctionnent pas	<p>Il n'y a pas d'alimentation électrique à l'appareil</p> <ul style="list-style-type: none"> ▶ Assurez-vous que le cordon d'alimentation de l'appareil est complètement branché dans la prise de courant et que le disjoncteur ne s'est pas déclenché. ▶ Réinitialisez le disjoncteur domestique ou remplacez tout disjoncteur ou fusible déclenché. ▶ Retirez la fiche de la prise, attendez 10 secondes, puis rebranchez l'appareil. ▶ Branchez un autre appareil dans la prise de courant. Si l'autre appareil ne fonctionne pas, faites réparer la prise par un électricien qualifié. ▶ Branchez l'appareil sur une autre prise de courant.
L'affichage fonctionne, mais l'appareil ne fonctionne pas	<p>La porte de l'appareil n'est pas complètement fermée</p> <ol style="list-style-type: none"> 1. Vérifiez que la porte de l'appareil n'est pas obstruée. 2. Vérifiez si la charnière est pliée. <p>Le joint de la porte est sale</p> <ul style="list-style-type: none"> ▶ Vérifiez si du matériel d'emballage ou autres matériaux sont collés dans le joint de porte. <p>La porte de l'appareil est endommagée</p> <ul style="list-style-type: none"> ▶ Vérifiez que la porte de l'appareil n'est pas endommagée. N'utilisez pas l'appareil si la porte est endommagée. <p>Les paramètres ont été mal saisis</p> <ul style="list-style-type: none"> ▶ Appuyez sur Clear/Off deux fois et entrez à nouveau les paramètres souhaités.
L'appareil s'éteint avant la fin du temps de cuisson	<p>Les paramètres d'heure sont incorrects</p> <ul style="list-style-type: none"> ▶ Appuyez sur Clear/Off deux fois et entrez à nouveau les paramètres souhaités. ▶ Réinitialisez l'horloge et entrez à nouveau les paramètres souhaités. <p>Il n'y a pas d'alimentation électrique à l'appareil</p> <ol style="list-style-type: none"> 1. Vérifier le disjoncteur ou le boîtier à fusibles de la résidence. 2. S'assurer que l'alimentation électrique de l'appareil est adéquate.
L'aliment cuit trop lentement	<p>La tension atteignant l'appareil est peut-être trop faible.</p> <ol style="list-style-type: none"> 1. Assurez-vous que l'appareil est sur une ligne de circuit de 20 ampères distincte. Un autre appareil branché sur le même circuit pourrait provoquer une baisse de tension. 2. Si nécessaire, raccordez l'appareil à son propre circuit.
Étincelles ou arcs électriques dans la cavité de l'appareil	<p>Il y a des objets métalliques dans la cavité de l'appareil</p> <ol style="list-style-type: none"> 1. Retirez tous les ustensiles métalliques, ustensiles de cuisine ou attaches métalliques de la cavité de l'appareil. 2. Si vous utilisez du papier d'aluminium, utilisez uniquement des bandes étroites et laissez au moins 1 po (2,5 cm) entre le papier d'aluminium et les parois de la cavité de l'appareil.
Le plateau tournant fait des bruits ou colle	<p>Il y a de la saleté sur le dessous du plateau tournant ou de l'anneau de roulement</p> <ul style="list-style-type: none"> ▶ Nettoyez la plaque tournante, l'anneau du rouleau et le fond de la cavité de l'appareil.

Défaut	Cause et dépannage
Le plateau tournant fait des bruits ou colle	Le plateau tournant et l'anneau de roulement ne sont pas correctement installés <ul style="list-style-type: none"> ▶ Assurez-vous que la plaque tournante et l'anneau de roulement sont positionnés correctement.
L'utilisation du micro-ondes provoque des interférences TV ou radio	Des interférences similaires sont causées par d'autres petits appareils, tels que les sèche-cheveux <ul style="list-style-type: none"> ▶ Éloignez les autres appareils comme votre téléviseur ou votre radio de votre micro-ondes.
Les lumières à DEL ne fonctionnent pas	Les lampes à DEL sont défectueuses. <ul style="list-style-type: none"> ▶ Appelez le → "Service à la clientèle", Page 66.

14 Élimination

14.1 Éliminer un appareil usagé

L'élimination dans le respect de l'environnement permet de récupérer de précieuses matières premières.

1. Débranchez la fiche du secteur.
2. Coupez le câble de raccordement secteur.
3. Éliminez l'appareil dans le respect de l'environnement.
Pour connaître les circuits d'élimination actuels, veuillez vous adresser à votre revendeur ou à votre administration municipale.

15 Service à la clientèle

Lors de toute réparation réalisée dans le cadre de la garantie, nous nous assurons que votre appareil est réparé avec des pièces de rechange d'origine par un technicien dûment formé et agréé. Nous utilisons exclusivement des pièces de rechange d'origine lors des réparations.

Pour plus d'informations sur la durée et les conditions de la garantie dans votre pays, consultez nos modalités de garantie auprès de votre détaillant ou sur notre site Web. Si vous contactez le service à la clientèle, indiquez le numéro de modèle (E-Nr.) et le numéro de fabrication (FD) de l'appareil.

La source de lumière est disponible en tant que pièce de rechange et doit être remplacée uniquement par du personnel qualifié.

USA:

1-800-944-2904

www.bosch-home.com/us/owner-support/get-support

www.bosch-home.com/us/shop

CA:

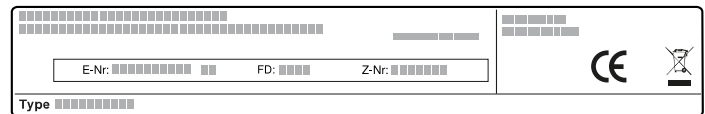
1-800-944-2904

www.bosch-home.ca/en/service/get-support

www.bosch-home.ca/en/service/cleaners-and-accessories

15.1 Numéro de modèle (E-Nr.) et numéro de fabrication (FD)

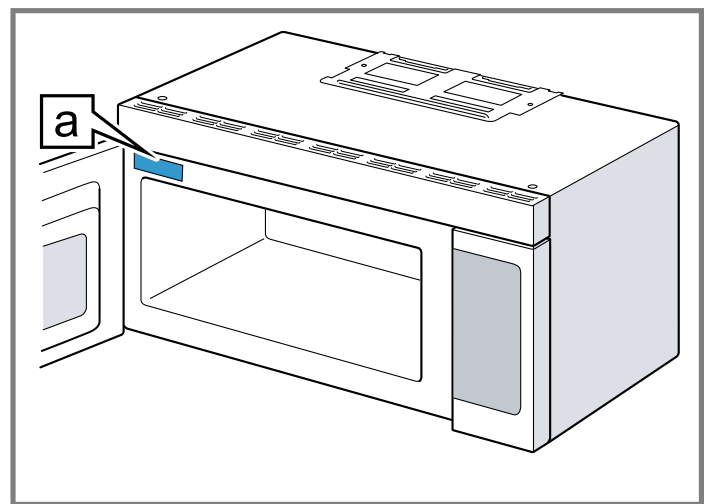
Le numéro de modèle (E-Nr.) et le numéro de fabrication (FD) sont indiqués sur la plaque signalétique de l'appareil.



Pour retrouver rapidement les données de votre appareil et le numéro de téléphone du service à la clientèle, n'hésitez pas à les recopier ailleurs.

15.2 Emplacement de la plaque signalétique

Vous trouverez la plaque signalétique de votre appareil sur le côté gauche de la garniture de porte.



a Plaque signalétique

16 ÉNONCÉ DE LA GARANTIE LIMITÉE DU PRODUIT

16.1 Couverture de la garantie limitée

La garantie limitée fournie par BSH Home Appliances (« Bosch ») dans cet énoncé de garantie limitée s'applique seulement à l'appareil Bosch qui vous a été vendu (« Produit »), pour autant que le produit ait été acheté :

- Pour une utilisation normale résidentielle (non commerciale), et qu'il a été utilisé en tout temps pour un usage domestique normal.
- Neuf au détail auprès d'un revendeur agréé BSH ou directement auprès de BSH (pas un présentoir, « tel quel », ou un modèle précédemment retourné), et non destiné à la revente ou à un usage commercial.
- Aux États-Unis ou au Canada et qu'il est demeuré en tout temps dans son pays d'achat.

Les garanties aux présentes s'appliquent à l'acheteur original du produit sous garantie et à tout propriétaire successif du produit acheté pour une utilisation résidentielle habituelle et la durée de la garantie. Assurez-vous d'enregistrer votre produit ; bien qu'il ne soit pas nécessaire pour appliquer la garantie, c'est le meilleur moyen pour Bosch de vous informer dans le cas peu probable d'un avis de sécurité ou d'un rappel de produit.

16.2 Durée de la garantie

Bosch garantit que le produit est exempt de défauts de matériaux et de fabrication pendant une période de trois cent soixante-cinq (365) jours à compter de la date de livraison initiale. La période susmentionnée commence à partir de la date de livraison et ne doit pas être retenue, retardée, prolongée, ou interrompue pour une raison quelconque. Ce produit est également garanti exempt de défauts **cosmétiques** de matériaux et de fabrication (tels que des rayures sur l'acier inoxydable, des taches de peinture/porcelaine, des éclats, des bosses ou d'autres dommages à la finition) du produit, pendant une période de trente (30) jours à compter de la date de livraison ou de la date de clôture pour les nouvelles constructions. La présente garantie **cosmétique** exclut les variations légères de couleur causées par les différences inhérentes entre les sections peintes et les sections en porcelaine, de même que les différences causées par l'éclairage de la cuisine, l'emplacement du produit et autres facteurs similaires. La présente garantie **cosmétique** exclut spécifiquement tous les appareils en montre, de plancher, « tel quel » et remis à neuf.

16.3 Réparation ou remplacement : votre recours exclusif

Pendant cette période de garantie, Bosch ou l'un de ses centres de réparations autorisés réparera gratuitement votre produit (sous réserve de certaines restrictions aux présentes) si celui-ci présente des défauts de matériels ou de fabrication. Si des tentatives raisonnables pour réparer

le produit sont vaines, alors Bosch remplacera le produit (un modèle supérieur peut être offert, à la seule discrétion de Bosch, moyennant des frais supplémentaires). Rien dans cette garantie n'exige que les pièces endommagées ou défectueuses soient remplacées par des pièces d'un type ou d'une conception différent de la pièce d'origine. Toutes les pièces ou les composants enlevés demeurent la seule propriété de Bosch. Toute pièce remplacée ou réparée doit être identique à la pièce d'origine aux fins de la présente garantie et la garantie ne sera pas prolongée en regard de telles pièces. La seule responsabilité de Bosch est de faire réparer le produit défectueux uniquement par un centre de réparation autorisé pendant les heures de travail normales. Pour des raisons de sécurité et de dommages matériels, Bosch vous recommande fortement de ne pas essayer de réparer le produit vous-même ou de faire appel à un prestataire de services non agréé ; Bosch décline toute responsabilité en cas de dommages résultant de réparations ou de travaux effectués par un prestataire de services non agréé. Les centres de réparation autorisés sont les personnes ou les entreprises qui ont été spécialement formées sur les produits Bosch et qui possèdent, selon l'opinion de Bosch, une réputation supérieure pour le service après-vente et la capacité technique (il est à noter qu'elles sont des entités indépendantes et non des agents, partenaires, affiliés ou représentants de Bosch). Néanmoins, le fait de confier l'entretien de votre produit à un atelier de réparation non affilié ou à un revendeur agréé Bosch n'annulera pas cette garantie. De plus, l'utilisation de pièces tierces n'annulera pas cette garantie. Nonobstant ce qui précède, Bosch ne sera pas tenue responsable d'aucune façon si le produit est situé dans une région éloignée (supérieure à 100 miles d'un centre de réparation autorisé) ou n'est pas accessible de façon raisonnable, dans un environnement ou un local dangereux, menaçant ou périlleux; dans une telle éventualité, à la demande du consommateur, Bosch pourrait encore payer les frais de main-d'œuvre et de pièces et expédier les pièces au centre de réparation autorisé le plus près, mais le consommateur serait entièrement responsable pour tous les frais de déplacement et autres frais spéciaux encourus par le centre de réparation, en autant qu'il accepte la demande de réparation. En outre, dans la mesure où vous avez installé le produit dans un endroit difficile d'accès ou si vous avez installé des installations temporaires ou permanentes qui créent des obstacles à l'accès ou au retrait du produit, Bosch n'encourra aucune responsabilité ou n'aura aucune responsabilité pour les travaux ou les

coûts associés au déplacement du Produit ou à la création d'un accès au Produit afin de le réparer ou de le remplacer. Tous ces frais seront à votre charge exclusive.

16.4 Produit hors garantie

Bosch n'a aucune obligation, aux termes de la loi ou autrement, d'offrir toute concession, incluant réparation, prorata ou remplacement de produit une fois la garantie expirée.

16.5 Exclusions de garantie

La couverture de garantie décrite dans les présentes exclut tous les défauts ou dommages pour lesquels Bosch serait directement imputable, y compris, sans s'y limiter, l'un ou plusieurs des cas suivants :

- Utilisation du produit autre qu'un usage normal, habituel et de la façon destinée (incluant, sans s'y limiter, toute forme d'utilisation commerciale, d'utilisation ou de rangement d'un produit pour l'intérieur à l'extérieur, d'utilisation du produit de concert avec un transporteur aérien ou marin).
- Mauvaise conduite de toute partie, négligence, mauvaise utilisation, abus, accidents, fonctionnement inadéquat, mauvais entretien, installation inadéquate ou négligente, altération, manquement d'observer les instructions de fonctionnement, mauvaise manipulation, service non autorisé (incluant réparation par le consommateur ou exploration du fonctionnement interne du produit).
- Réglage, modification ou altération de tout type.
- Non conformité aux normes fédérales, provinciales, municipales ou électriques en vigueur au pays, aux codes de plomberie ou du bâtiment, aux réglementations ou aux lois, incluant le non respect d'installer le produit en stricte conformité avec les codes et les réglementations du bâtiment et d'incendie locaux.
- Bris et usure normaux, déversements d'aliments ou de liquides, accumulations de graisse ou d'autres substances dans, sur ou autour du Produit.
- Toute force ou tout facteur externe, élémentaire et / ou environnemental, incluant sans limitation, la pluie, le vent, le sable, les inondations, les incendies, les coulées de boue, le gel, l'humidité excessive ou l'exposition prolongée à l'humidité, la foudre, les surtensions, les problèmes de structure autour de l'appareil et les désastres naturels.
- Demandes de service visant à corriger l'installation de votre Produit, à obtenir des conseils à propos de son utilisation, à remplacer les fusibles de votre maison ou à réparer l'installation électrique ou la plomberie de votre foyer.
- Retrait et remplacement de la garniture ou des panneaux de décoration qui entravent l'entretien du produit.
- Dommages ou défauts résultant de la main-d'œuvre ou de pièces installées par un centre de réparation non autorisé, à moins d'être approuvé par Bosch avant de procéder à sa réparation.

En aucun cas, Bosch ne sera tenue responsable de dommages survenus à la propriété environnantes, incluant les armoires, les planchers, les plafonds et les autres objets ou structures situés autour du produit. Également exclus de la garantie sont les Produits dont les numéros de série ont été modifiés, effacés ou enlevés; les demandes de réparations pour enseigner le fonctionnement du Produit ou les visites où il n'y a aucun problème avec le produit; la correction de problèmes d'installation (le consommateur est seul responsable pour toute structure et tout réglage du Produit, incluant l'électricité, la plomberie et les autres raccordements nécessaires, pour une fondation / plancher approprié[e], et pour toute modification incluant, sans limitation, armoires, murs, planchers, tablettes, etc.) et le réenclenchement de disjoncteurs ou le remplacement de fusibles.

DANS LA MESURE AUTORISÉE PAR LOI, LA PRÉSENTE GARANTIE PRÉCISE LES RECOURS EXCLUSIFS DONT VOUS DISEPOSEZ À L'ÉGARD DU PRODUIT, QUE LA DEMANDE SOIT FONDÉE SUR UN CONTRAT OU DÉLIT (Y COMPRIS RESPONSABILITÉ ABSOLUE OU NÉGLIGENCE) OU AUTRE. LA PRÉSENTE GARANTIE REMPLACE TOUTES LES AUTRES GARANTIES, EXPRESSES OU IMPLICITES. TOUTES GARANTIES IMPLICITES AUX TERMES DE LA LOI, QUE SE SOIT LES GARANTIES DE QUALITÉ MARCHANDE OU D'APTITUDE À UN USAGE PARTICULIER, OU AUTRES, SONT LIMITÉES DANS LE TEMPS À LA DURÉE DE CETTE GARANTIE LIMITÉE EXPRESSE. LE FABRICANT NE SERA EN AUCUN CAS RESPONSABLE DE DOMMAGES CONSÉCUTIFS, SPÉCIAUX, ACCESSOIRES, INDIRECTS OU DE « PERTES COMMERCIALES » ET / OU DE DOMMAGES PUNITIFS, DE PERTES OU DE DÉPENSES, Y COMPRIS SANS S'Y LIMITER, ABSENCE DU TRAVAIL, FRAIS D'HÔTEL ET / OU FRAIS DE RESTAURANT, FRAIS DE REMANIEMENT EN EXCÉDENT DES DOMMAGES DIRECTS QUI SONT DÉFINITIVEMENT CAUSÉS EXCLUSIVEMENT PAR BOSCH, OU AUTREMENT. CERTAINS ÉTATS N'AUTORISENT PAS L'EXCLUSION OU LA LIMITATION DE DOMMAGES ACCESSOIRES OU CONSÉCUTIFS, ET CERTAINS ÉTATS N'AUTORISENT PAS LA LIMITATION DE LA DURÉE DES GARANTIES IMPLICITES. PAR CONSÉQUENT, LES EXCLUSIONS OU LES LIMITES SUSMENTIONNÉES POURRAIENT NE PAS VOUS CONCERNER. LA PRÉSENTE GARANTIE VOUS DONNE DES DROITS PRÉCIS RECONNUS PAR LA LOI ET VOUS POUVEZ ÉGALEMENT AVOIR D'AUTRES DROITS QUI VARIENT D'UN ÉTAT À L'AUTRE. Aucune tentative de modifier, changer ou amender la présente garantie ne peut être valide sans le consentement écrit autorisé par un dirigeant de BSH.

16.6 Obtention du service de garantie

Pour obtenir le service de garantie de votre produit, vous devez contacter le service client Bosch au 1-800-944-2904 pour planifier une réparation.

16.7 Information sur le produit

Pour référence pratique, copiez l'information ci-après de la plaque signalétique. Conservez votre facture et/ou vos documents de livraison pour la validation de la garantie.

Numéro de modèle
(E-Nr.)

Numéro de
fabrication (FD)

Date de livraison

Tabla de contenidos

1 Energía microondas.....	71	8.6 Cocción con aire caliente	88
2 INSTRUCCIONES DE SEGURIDAD		8.7 Ajustes básicos	90
IMPORTANTES.....	72	9 Programas de sensor.....	90
2.1 Definiciones de seguridad	72	9.1 Descongelación automática	90
2.2 Seguridad de microondas	72	9.2 Recalentado por sensor	91
2.3 Uso seguro	72	9.3 Cocción con sensor.....	92
2.4 INSTRUCCIONES PARA LA CONEXIÓN A		10 Funcionamiento práctico.....	93
TIERRA.....	73	10.1 Bebidas	93
2.5 Interferencias con equipos de radio/TV	74	10.2 Palomitas	93
2.6 Seguridad de los niños.....	74	10.3 Mantener caliente.....	94
2.7 Seguridad en la limpieza.....	74	10.4 Más modos.....	94
2.8 Cocinar con seguridad	75	11 Tablas de cocción	95
2.9 En caso de incendio.....	75	11.1 Cocción de carne en el microondas	95
2.10 Líquidos	75	11.2 Cocción de aves en el microondas.....	95
2.11 Utensilios de cocina	76	11.3 Tiempo de reposo	96
2.12 Recipientes de cocina	77	11.4 Cocción de huevos en el microondas.....	96
2.13 Bandeja de cristal / Aro del plato giratorio	77	11.5 Cocción de verduras y hortalizas en el	
2.14 Modo de funcionamiento de escape.....	78	microondas.....	96
2.15 Marcapasos	78	11.6 Cocción de pescados y mariscos en el	
2.16 Funcionamiento del motor del ventilador.....	78	microondas.....	96
2.17 Ventilación del espacio con filtro antiolores.....	78	12 Limpieza y cuidados	97
2.18 Advertencias en virtud de la Proposición 65 del		12.1 Productos de limpieza	97
estado de California	78	12.2 Limpieza de los filtros de ventilación	99
3 Evitar daños materiales	79	12.3 Cambiar el filtro antiolores.....	99
3.1 General	79	13 Solución de problemas.....	101
4 Protección del medio ambiente y ahorro	79	14 Eliminación	102
4.1 Consejos para la eliminación del embalaje	79	14.1 Eliminación de los aparatos usados	102
4.2 Ahorro de energía	79	15 Servicio de atención al cliente	102
5 Familiarizándose con el aparato	80	15.1 Número de modelo (E-Nr.) y número de	
5.1 Aparato	80	fabricación (FD).....	102
5.2 Panel de control	81	15.2 Ubicación de la placa de características del	
6 Accesorios	83	aparato.....	102
6.1 Ajuste de la bandeja giratoria de vidrio	83	16 DECLARACIÓN DE GARANTÍA LIMITADA DEL	
6.2 Uso de la parrilla	84	PRODUCTO.....	103
6.3 Uso de la rejilla para aire caliente	84	16.1 Qué cubre esta garantía y a quiénes se aplica....	103
6.4 Guía de recipientes para microondas.....	84	16.2 Plazo de vigencia de la garantía.....	103
7 Antes del primer uso	85	16.3 Reparación/Reemplazo como único recurso	103
7.1 Limpiar el aparato antes de usarlo por primera		16.4 Producto fuera de garantía.....	104
vez.....	85	16.5 Exclusiones de la garantía	104
7.2 Aplicación de la etiqueta de programas.....	86	16.6 Obtener el servicio técnico de la garantía.....	105
7.3 Ajuste de la hora del día	86	16.7 Información del producto	105
8 Manejo básico	86		
8.1 Ajuste del microondas.....	86		
8.2 Ajuste del reloj avisador de cocina.....	88		
8.3 Manejo del ventilador	88		
8.4 Encendido o apagado de la iluminación de la			
superficie	88		
8.5 Encendido o apagado del giro del plato	88		

1 Energía microondas

⚠ PRECAUCIONES PARA EVITAR UNA POSIBLE EXPOSICIÓN A UNA EXCESIVA CANTIDAD DE ENERGÍA DE MICROONDAS

(1) No intente manejar este aparato con la puerta abierta, ya que el funcionamiento con la puerta abierta puede tener como consecuencia una exposición nociva a la energía de microondas. Es importante no anular los enclavamientos de seguridad ni interferir en estos.

(2) No coloque ningún objeto entre la parte delantera del aparato y la puerta ni permita que se acumulen suciedad ni restos de limpiador en las superficies sellantes.

(3) No maneje el aparato si está dañado. Es de particular importancia que la puerta del aparato cierre correctamente y que no haya daños en:

- la puerta (doblada);
- las bisagras y las trabas (rotas o flojas);
- los sellos y las superficies sellantes de la puerta..

(4) Ninguna persona debe ajustar ni reparar el aparato a menos que se trate de personal de servicio técnico autorizado. La instalación, el servicio técnico o el mantenimiento incorrectos pueden causar lesiones o daños materiales. Consulte este manual para su orientación.

Remita todas las reparaciones a un centro de servicio técnico autorizado por la fábrica.



INSTRUCCIONES DE SEGURIDAD IMPORTANTES

LEER TODAS LAS INSTRUCCIONES ANTES DE UTILIZAR EL APARATO

ADVERTENCIA: Leer atentamente todas las instrucciones antes de usarlo. Estas precauciones reducirán el riesgo de producir quemaduras, descargas eléctricas, incendios y lesiones personales, o la exposición a una cantidad excesiva de energía de microondas. A la hora de utilizar aparatos de cocina se deben tomar precauciones de seguridad básicas, incluidas las que se encuentran en las páginas siguientes.

2.1 Definiciones de seguridad

Aquí puede encontrar explicaciones de las palabras de señal de seguridad utilizadas en este manual.

ADVERTENCIA

Esto indica que pueden producirse la muerte o heridas graves si no se cumple con esta advertencia.

PRECAUCIÓN

Esto indica que pueden producirse heridas leves o moderadas si no se cumple con esta advertencia.

AVISO:

Esto indica que pueden producirse daños en el aparato o en los bienes si no se cumple con este aviso.

Nota: Esto alerta sobre información o sugerencias importantes.

2.2 Seguridad de microondas

ADVERTENCIA

Al utilizar aparatos eléctricos, deben tomarse las precauciones de seguridad básicas, entre las que se encuentran las siguientes:

- ▶ Leer todas las instrucciones antes de utilizar el aparato.
- ▶ En particular, es preciso leer y respetar las PRECAUCIONES PARA EVITAR UNA POSIBLE EXPOSICIÓN A UNA CANTIDAD EXCESIVA DE ENERGÍA DE MICROONDAS, que se encuentran en → *Página 71*
- ▶ Este aparato debe estar conectado a tierra. Se debe conectar únicamente a una toma de corriente debidamente aterrizada. Consultar → *"INSTRUCCIONES PARA LA CONEXIÓN A TIERRA", Página 73.*
- ▶ Instalar o ubicar este aparato únicamente en conformidad con las instrucciones de instalación proporcionadas.

- ▶ Algunos productos, como los huevos enteros y los recipientes sellados (p. ej., los tarros cerrados de cristal), pueden explotar, por lo que no deben calentarse en este aparato.
- ▶ Utilizar este aparato únicamente para el fin para el cual ha sido diseñado, según lo descrito en el manual. No utilizar productos químicos ni vapores corrosivos en este aparato. Este tipo de aparato está específicamente diseñado para calentar, cocinar o secar alimentos. No está diseñado para su uso industrial o en laboratorios.
- ▶ **LOS CONTENIDOS CALIENTES PUEDEN CAUSAR QUEMADURAS GRAVES. NO PERMITIR QUE LOS NIÑOS USEN EL MICROONDAS.** Proceder con precaución al extraer elementos calientes.
- ▶ No utilizar este aparato si presenta daños en el cable o en el enchufe, si no funciona correctamente, si se ha caído o si ha sufrido daños.
- ▶ Únicamente debe realizar tareas de mantenimiento en el aparato un proveedor de servicios autorizado. Es preciso ponerse en contacto con el proveedor de servicios autorizado más próximo para realizar tareas de inspección, reparación o ajuste.
- ▶ No cubrir ni bloquear las aberturas o los conductos de ventilación del aparato.
- ▶ No instalar este aparato en zonas exteriores. No utilizar este producto cerca del agua, p. ej., cerca de un fregadero, en una superficie húmeda, cerca de una alberca o en lugares similares.
- ▶ No sumergir el cable o el enchufe en agua.
- ▶ Mantener el cable alejado de una superficie caliente.
- ▶ No dejar que el cable cuelgue sobre el borde de la mesa o la cubierta.
- ▶ Al limpiar las superficies de la puerta y el aparato que entran en contacto al cerrar la puerta, aplicar únicamente limpiadores o detergentes no abrasivos con una esponja o un trapo suave. Véanse las instrucciones de limpieza de la superficie de la puerta. → *"Limpieza y cuidados", Página 97*

2.3 Uso seguro

ADVERTENCIA

Si no se sigue con exactitud la información de este manual, se puede producir un incendio o una descarga eléctrica que podrían causar daños materiales o lesiones personales.



INSTRUCCIONES DE SEGURIDAD IMPORTANTES

LEER TODAS LAS INSTRUCCIONES ANTES DE UTILIZAR EL APARATO

Este aparato ha sido diseñado únicamente para un uso doméstico normal. No está aprobado para su uso en exteriores. Véase la declaración de garantía limitada del producto. En caso de duda, contactar con el fabricante. Este aparato debe montarse a una altura mínima de 36" (914 mm) y no está indicado para utilizarlo en encimera.

ADVERTENCIA

No utilizar el aparato con en condiciones de humedad del aire excesiva.

ADVERTENCIA

No utilizar los quemadores de la cubierta de gas sin colocar las ollas en su sitio. La llama abierta puede sobrecalentar el aparato por encima.

Para reducir el riesgo de incendios en la cavidad del aparato:

- ▶ No cocinar la comida en exceso. Atender cuidadosamente el aparato si se ha introducido papel, plástico u otros materiales inflamables en el aparato para facilitar la cocción.
- ▶ Retirar los alambres plastificados de las bolsas de papel o plástico antes de colocarlas en el aparato.
- ▶ Si se encendiera un material en el interior del aparato, deberá mantenerse la puerta cerrada, el aparato apagado, el cable de alimentación desconectado o el suministro de electricidad cortado en el panel de fusibles o breakers.
- ▶ No utilizar la cavidad del aparato con fines de almacenamiento. No dejar productos de papel, recipientes de cocina o alimentos en la cavidad del aparato mientras no esté en uso.

Este aparato es adecuado para su uso sobre equipos de cocina de gas o eléctricos de 914 mm (36") o menos de ancho.

ADVERTENCIA

La luz emitida por la iluminación LED deslumbra bastante y puede dañar los ojos.

- ▶ No mirar directamente a las luces LED encendidas durante más de 100 segundos continuos.
- ▶ No mirar directamente a las luces LED encendidas con instrumentos ópticos como binoculares o lupas.

ADVERTENCIA

Al cocinar los alimentos, pueden liberarse pequeñas cantidades de ciertos subproductos, como partículas/hollín. Para reducir la exposición a estas sustancias:

- ▶ Asegurar siempre una ventilación adecuada mediante el uso de un ventilador o campana extractora apropiados, con salida al exterior y/o una ventana abierta.
- ▶ Utilizar la unidad siempre de forma acorde con las instrucciones de este manual.

ADVERTENCIA

Los materiales calentados en exceso pueden causar incendios o quemaduras y pueden producir humo o vapores potencialmente nocivos.

- ▶ Para evitar el calentamiento en exceso, encender la campana extractora cuando se calienten grasas o se fríen a fuego medio o alto.
- ▶ Evitar calentar ollas y sartenes vacías.
- ▶ No deje hervir líquidos en recipientes hasta su evaporación completa.
- ▶ Es preciso evitar que materiales como el papel de aluminio, el plástico, el papel o la tela entren en contacto con un elemento superficial de calentamiento, con una parrilla o con una rejilla.

2.4 INSTRUCCIONES PARA LA CONEXIÓN A TIERRA

Es preciso seguir estas instrucciones de seguridad al conectar el aparato al suministro eléctrico.

ADVERTENCIA

Una puesta a tierra incorrecta puede causar una descarga eléctrica.

Este aparato debe estar puesto a tierra. La puesta a tierra reduce el riesgo de descargas eléctricas, ya que proporciona una vía de escape de la corriente eléctrica en caso de cortocircuito.

- ▶ Este aparato con una conexión que conste de un cable y un enchufe de puesta a tierra, que debe conectarse a una toma que esté correctamente instalada y conectada a tierra. Consultar manual de instalación.
- ▶ Es preciso consultar con un electricista calificado si no se comprende la totalidad de las instrucciones de puesta a tierra o si se tiene alguna duda respecto de si el aparato está correctamente aterrizado.
- ▶ No usar un cable de extensión. Si el cable de alimentación del producto es demasiado corto, se deberá solicitar a un electricista calificado que instale

CONSERVE ESTAS INSTRUCCIONES.



INSTRUCCIONES DE SEGURIDAD IMPORTANTES

LEER TODAS LAS INSTRUCCIONES ANTES DE UTILIZAR EL APARATO

una toma de corriente de tres clavijas cerca del aparato. Este aparato debe enchufarse en un circuito dedicado separado de 60 Hertz con la clasificación eléctrica que aparece en la tabla de especificaciones. Consultar la sección de requisitos eléctricos en las manual de instalación.

- ▶ Si el aparato está en un circuito con otros equipos, puede que se prolonguen los tiempos requeridos de cocción y podrían fundirse los fusibles.
- ▶ Este aparato funciona a una corriente doméstica estándar de 120 V.

2.5 Interferencias con equipos de radio/ TV

Es posible evitar interferencias con equipos de radio y TV siguiendo estas instrucciones.

Este aparato genera y emplea energía de frecuencia ISM; en caso de no instalarlo y utilizarlo correctamente, respetando estrictamente las instrucciones del fabricante, podría causar interferencias en la recepción de señales de radio y televisión. Se han efectuado ensayos de tipo y se ha determinado que el aparato respeta los límites para los equipos ISM de conformidad con la sección 18 de las normas FCC, diseñadas para proporcionar un nivel razonable de protección contra este tipo de interferencias en instalaciones residenciales, sin embargo, no es posible garantizar la ausencia plena de interferencias en una instalación en particular. Apagar y encender el aparato para determinar si provoca interferencias.

En caso de que haya interferencias, se pueden intentar las siguientes acciones:

- Limpiar la puerta y la superficie de sellado del aparato.
- Reorientar la antena de recepción de radio o televisión.
- Reubicar el aparato con respecto al receptor.
- Alejar el aparato del receptor.
- Enchufar el aparato en una toma distinta para que el receptor y el aparato se encuentren en circuitos derivados diferentes.
- El fabricante no se hace responsable de interferencias de radio o TV causadas por modificaciones no autorizadas en este aparato. Es responsabilidad del usuario corregir tales interferencias.

2.6 Seguridad de los niños

No permitir a los niños que utilicen este aparato; si no se respeta esta indicación, los niños podrían sufrir quemaduras o lesiones graves.

Los niños y las mascotas no deben dejarse solos o desatendidos en la zona donde el aparato esté en uso. No se les debe permitir nunca jugar en sus inmediaciones, independientemente de que el aparato esté o no en uso.

ADVERTENCIA

No se debe permitir que nadie se suba, se pare, se recline, se siente o se cuelgue de cualquier parte de un aparato, especialmente una puerta, cajón calentador o cajón para almacenamiento.

- ▶ Esto podría dañar el electrodoméstico y la unidad podría caerse, lo que podría causar lesiones graves.

2.7 Seguridad en la limpieza

Seguir estas instrucciones de seguridad al limpiar el aparato.

ADVERTENCIA

Asegurarse de que todo el aparato se haya enfriado y la grasa se haya solidificado antes de intentar limpiar cualquier parte del aparato.

PRECAUCIÓN

La grasa acumulada en los filtros puede volver a fundirse y penetrar en la abertura de ventilación. Limpiar los ventiladores con frecuencia. No debe permitirse que se acumule grasa en un ventilador, los filtros o los conductos de ventilación.

- Proceder con cuidado al limpiar los filtros de escape. Los agentes de limpieza corrosivos, como los limpiadores de horno a base de cloro, pueden dañar el filtro.
→ "Limpieza y cuidados", Página 97
- Al limpiar las superficies de la puerta y la cavidad del aparato que entran en contacto al cerrar la puerta, aplicar únicamente limpiadores o detergentes no abrasivos con una esponja o un trapo suave. Véanse las instrucciones de limpieza de la superficie de la puerta.
→ "Limpieza y cuidados", Página 97
- Limpiar frecuentemente el plato giratorio, el soporte de rodillos y la base de la cavidad del aparato para evitar los ruidos excesivos.



INSTRUCCIONES DE SEGURIDAD IMPORTANTES

LEER TODAS LAS INSTRUCCIONES ANTES DE UTILIZAR EL APARATO

- ▶ Permitir que la bandeja de cristal se enfríe antes de limpiarla o colocarla en agua.

2.8 Cocinar con seguridad

PRECAUCIÓN

Para evitar lesiones personales o daños materiales, debe tenerse en cuenta lo siguiente:

- ▶ No dejar el aparato sin supervisión durante su uso.
- ▶ No colocar material inflamable al lado o en el interior del aparato.
- ▶ Al flambear alimentos debajo del aparato, encender siempre el ventilador.
- ▶ No debe utilizarse el aparato si está vacío. Esto podría dañar el aparato y conllevaría un riesgo de incendio.
- ▶ No almacenar ni utilizar productos químicos corrosivos, vapores, materiales inflamables o productos no alimentarios cerca o dentro del aparato. Está especialmente diseñado para utilizarse mientras se calienta o cocina la comida. El uso de productos químicos corrosivos para el calentamiento o la limpieza provocará daños en el aparato y podría causar lesiones personales.
- ▶ No secar ropa, papel periódico u otros materiales en el aparato. No utilizar papel periódico ni bolsas de papel para cocinar. Podría generarse un incendio.
- ▶ No utilizar productos de papel reciclado a menos que se hayan aprobado para su uso con microondas. Podrían contener impurezas que podrían generar chispas y provocar incendios.
- ▶ Utilizar siempre agarradores o guantes de cocina para retirar objetos del aparato. El recipiente para cocinar y la bandeja de vidrio pueden estar calientes aunque el aparato ya se haya enfriado.
- ▶ Siempre que sea posible, evitar el uso del sistema de ventilación si se produce un incendio en la placa de cocción. No obstante, no se debe atravesar el fuego con la mano para intentar apagarlo.
- ▶ No montar encima del fregadero.
- ▶ No colocar nada directamente encima de la superficie del aparato cuando esté en funcionamiento.
- ▶ No deben introducirse alimentos ni utensilios metálicos que sean demasiado grandes, ya que podrían provocar un incendio o una descarga eléctrica.

- ▶ No limpiar con estropajos de fibra metálica. Podrían desprenderse trozos del estropajo y entrar en contacto con piezas eléctricas, lo que supondría un riesgo de descarga eléctrica.
- ▶ No utilizar productos de papel cuando se use el aparato con el modo de tostador.
- ▶ Cuando no se utilice el aparato, no almacenar en él ningún objeto aparte de los accesorios recomendados por el fabricante.
- ▶ No cubrir las rejillas ni ninguna otra parte del aparato con papel aluminio. Esto causará el sobrecalentamiento del aparato.

2.9 En caso de incendio

Si los materiales que están dentro del aparato se incendian:

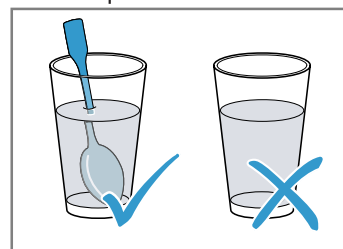
- Mantener la puerta del aparato cerrada.
- Apagar el aparato.
- Desenchufar el aparato o desactivarlo con el fusible o el breaker.

2.10 Líquidos

ADVERTENCIA

Puede ocurrir que los líquidos como el agua, el café o el té se sobrecalienten por encima de su punto de ebullición sin que este fenómeno resulte visible, no siempre se aprecia un burbujeo o hervor al sacar el recipiente del microondas. COMO RESULTADO, EL LÍQUIDO A ALTA TEMPERATURA PODRÍA DERRAMARSE REPENTINAMENTE AL PERTURBAR EL RECIPIENTE O AL INSERTAR UNA CUCHARA O UN UTENSILIO EN EL LÍQUIDO.

- ▶ Al calentar líquidos, colocar siempre una cuchara/varilla de vidrio en el recipiente, de este modo, se evitará que la ebullición se retrase.



CONSERVE ESTAS INSTRUCCIONES.



INSTRUCCIONES DE SEGURIDAD IMPORTANTES

LEER TODAS LAS INSTRUCCIONES ANTES DE UTILIZAR EL APARATO

PRECAUCIÓN

Metal, p. ej. una cuchara en un vaso, se debe mantener alejado por lo menos 25 mm (1") de las paredes del aparato y del interior de la puerta. Las chispas podrían dañar irreparablemente el cristal en el interior de la puerta.

Seguir las siguientes recomendaciones al cocinar con el horno de microondas:

- Sacar los platillos preparados de su envase, estos se calientan más rápidamente y de manera más uniforme en recipientes para microondas. Los diferentes ingredientes de la comida pueden no requerir la misma cantidad de tiempo para calentarse.
- Tapar siempre la comida. Si no se dispone de una tapa adecuada para el recipiente, usar un plato o papel especial para microondas.
- Remover o dar la vuelta a los alimentos varias veces durante la cocción. Verificar la temperatura.
- Después de calentar la comida, dejarla reposar de 2 a 5 minutos para que alcance una temperatura uniforme.
- Utilizar siempre un trapo de cocina o guantes para horno al sacar los platos del aparato.

2.11 Utensilios de cocina

Seguir estas instrucciones de seguridad al cocinar alimentos en el microondas para evitar lesiones.

- Huevos:
 - No cocinar ni recalentar huevos enteros, con o sin su cáscara. La acumulación de vapor en los huevos enteros puede hacer que exploten, lo que podría dañar el aparato o causar lesiones.
 - Es seguro recalentar huevos cocidos en rodajas y cocinar huevos revueltos.
- Palomitas:
 - Utilizar únicamente palomitas en envases diseñados y etiquetados para su uso en el microondas; alternativamente, se pueden preparar palomitas colocando los granos de maíz en un recipiente previsto para tal fin y adecuado para microondas.
 - Seguir las instrucciones del fabricante de palomitas y utilizar una marca apropiada para la potencia de cada aparato.
 - No continuar calentando una vez que se deje de escuchar que revientan, de lo contrario, las palomitas se podrían quemar o chamuscar.
 - No dejar el aparato desatendido.

PRECAUCIÓN

Al utilizar palomitas preenvasadas para microondas, comprobar el peso en el paquete antes de utilizar la función para palomitas.

- ▶ Configurar el aparato para el peso del paquete de palomitas. Si no se siguen estas instrucciones, es posible que las palomitas no se preparen adecuadamente, o que se enciendan y causen un incendio.
- Alimentos de piel no porosa:
 - Las papas (convencionales y dulces), los tomates, las manzanas, las calabazas enteras y las salchichas son ejemplos de alimentos de piel no porosa. Es necesario pinchar estos alimentos antes de su cocción para que no estallen.
- Alimentos para bebé/fórmula láctea:
 - No calentar alimentos para bebés ni biberones en el microondas, aunque pueda parecer que un tarro de cristal o la superficie de los alimentos están templados, el contenido podría causar quemaduras en la boca y el esófago del bebé.
- Fritura en aceite/grasa abundante:
 - No freír con grasa abundante en el aparato. En un microondas, el aceite puede calentarse muy rápido por encima de las temperaturas ideales. Las temperaturas pueden ascender lo suficiente como para que los aceites utilizados al cocinar alcancen sus respectivos puntos de ignición y estallen en llamas. El aceite en proceso de calentamiento puede burbujear y salpicar, lo que podría causar daños en el aparato o provocar quemaduras.
 - Además, es posible que los recipientes especiales para microondas no sean capaces de soportar las temperaturas del aceite caliente, con lo que podrían agrietarse, perforarse o incluso romperse a la más mínima imperfección que presenten.
- Conservas caseras/secado de alimentos/pequeñas cantidades:
 - No utilizar el microondas para preparar conservas caseras ni para calentar un tarro cerrado, al hacerlo, se acumularía presión en el interior y el tarro podría estallar. Además, el aparato no es capaz de mantener los alimentos a la temperatura adecuada para preparar las conservas. Los alimentos en conserva mal enlatados podrían echarse a perder, lo que supondría un riesgo para su consumo. Las



INSTRUCCIONES DE SEGURIDAD IMPORTANTES

LEER TODAS LAS INSTRUCCIONES ANTES DE UTILIZAR EL APARATO

cantidades pequeñas de alimentos o los alimentos con escaso contenido en humedad pueden secarse, quemarse o encenderse. No secar en el aparato carnes, hierbas, frutas o verduras.

- La cocción apropiada depende del tiempo establecido y del peso de los alimentos. Si se cocina una ración más pequeña de lo recomendado durante el tiempo establecido para una cantidad normal, podría producirse un incendio.
- Platos para dorar:
 - Los platos o las rejillas para dorar adecuados para microondas están diseñados únicamente para este medio de cocción. Los tiempos de precalentamiento varían en función del tamaño del recipiente para dorar y del alimento que se quiera cocinar.
 - Es preciso seguir siempre las instrucciones facilitadas por el fabricante del recipiente o la rejilla para dorar.
 - No precalentar los recipientes para dorar durante más de 6 minutos.
- Bolsas para asar en el horno:
 - Si se utiliza una bolsa de horno para cocinar al microondas, es preciso proceder como se indique en las instrucciones del envase.
 - No se deben utilizar alambres plastificados para cerrar las bolsas; en su lugar, se recomienda el uso de ataduras de nylon, cordones de algodón o una tira recortada del borde abierto de la bolsa. Realizar seis aberturas de 12.7 mm (1/2") por cada cierre.
 - Colocar la bolsa para asar en el horno en un plato ligeramente mayor que el alimento que se vaya a cocinar.

2.12 Recipientes de cocina

PRECAUCIÓN

El uso indebido de recipientes de cocina puede provocar lesiones o daños materiales.

- ▶ Véase también la guía de recipientes para microondas → *Página 84.*
- ▶ Los recipientes de cocina, la bandeja de cristal y las rejillas se calientan al utilizar el microondas. Utilizar siempre paños o guantes de cocina para retirar objetos del aparato. En caso de usarlas, dejar que la bandeja de cristal y las rejillas metálicas se enfríen antes de manipularlas.

- ▶ No introducir en el aparato recipientes metálicos ni platos con un reborde metálico.
- ▶ Si se utiliza papel de aluminio en el aparato, dejar 25 mm (1") de espacio (como mínimo) entre el papel y la puerta o las paredes interiores del aparato.
- ▶ En caso de utilizarlas, la bandeja de cristal y las rejillas metálicas se calentarán notablemente al cocinar. El recipiente para cocinar al vapor y la bandeja de cristal pueden estar calientes aunque el aparato ya se haya enfriado.
- ▶ No utilizar nunca papel, plástico u otros materiales inflamables no diseñados para cocinar.
- ▶ Al cocinar con papel, plástico u otros materiales inflamables, seguir siempre las recomendaciones de uso del fabricante.
- ▶ No utilizar paños de papel que contengan nylon o fibras sintéticas. El material sintético podría derretirse al calentarse y prender fuego al papel.
- ▶ No calentar en el aparato recipientes ni bolsas de plástico sellados, los alimentos o los líquidos contenidos en su interior podrían expandirse rápidamente y romper el recipiente o la bolsa. Perforar o abrir el recipiente o la bolsa antes de proceder con la cocción.
- ▶ No utilizar en el aparato termómetros de cocina convencionales. La mayoría de termómetros de cocina contienen mercurio, que podría provocar el fenómeno de arco eléctrico o causar daños o un funcionamiento erróneo del aparato.

2.13 Bandeja de cristal / Aro del plato giratorio

- No utilizar el aparato si el soporte de rodillos del plato giratorio y la bandeja de cristal no están en su sitio;
- de lo contrario, los alimentos podrían cocinarse de forma incorrecta o se podrían provocar daños en el aparato. Comprobar que la bandeja de cristal esté colocada en su sitio y gire correctamente cuando el aparato está en uso. **Nota:** la bandeja de cristal puede girar en cualquier dirección.
- Utilizar únicamente la bandeja de cristal diseñada para este aparato. No sustituirla por ninguna otra bandeja.
- Permitir que la bandeja de cristal se enfríe antes de limpiarla o colocarla en agua.

CONSERVE ESTAS INSTRUCCIONES.



INSTRUCCIONES DE SEGURIDAD IMPORTANTES

LEER TODAS LAS INSTRUCCIONES ANTES DE UTILIZAR EL APARATO

- No colocar los alimentos directamente en la bandeja de cristal. Colocar siempre los alimentos en un plato adecuado para microondas.
- Es preciso volver a colocar siempre el aro del plato giratorio y la bandeja de cristal en sus posiciones correctas.
- El aro del plato giratorio debe usarse siempre para cocinar junto con la bandeja de cristal.

2.14 Modo de funcionamiento de escape

Si el aparato se utiliza en modo de escape de forma simultánea con un quemador de gas, se debe proceder con cuidado para garantizar que haya un suministro adecuado de aire fresco, necesario para la combustión del quemador.

ADVERTENCIA

Evite el envenenamiento por monóxido de carbono: proporcione una toma de aire adecuada para que los gases de combustión no vuelvan a entrar en la habitación. Una caja separadora de admisión/extracción de aire por sí sola no garantiza que no se supere el valor límite.

- ▶ Nota: Al evaluar los requisitos generales, debe tenerse en cuenta el sistema de ventilación combinado de toda la vivienda. Esta regla no se aplica al uso de aparatos de cocina, como placas de cocción y hornos.

2.15 Marcapasos

PRECAUCIÓN

Para evitar un funcionamiento erróneo de los marcapasos, es preciso consultar con un médico o con el fabricante del marcapasos en cuestión para conocer los efectos que puede tener sobre el mismo la energía de microondas.

2.16 Funcionamiento del motor del ventilador

Después de utilizar el aparato, el motor del ventilador puede seguir funcionando para enfriar los componentes eléctricos. Es algo totalmente normal y se pueden sacar los alimentos del aparato mientras el ventilador está en marcha.

2.17 Ventilación del espacio con filtro antiolores

El filtro antiolores que se incluye con el horno microondas atrapa las sustancias olorosas.

Nota: Si no está instalado el filtro antiolores, no es posible atrapar las sustancias olorosas presentes en los vapores de cocción.

2.18 Advertencias en virtud de la Proposición 65 del estado de California

Este producto puede contener un químico que el Estado de California reconoce como potencialmente cancerígeno o causante de daños reproductivos. Por tanto, su producto debe llevar en su embalaje la siguiente etiqueta de conformidad con la legislación de California:

ADVERTENCIA EN VIRTUD DE LA PROPOSICIÓN 65 DEL ESTADO DE CALIFORNIA:

⚠ ADVERTENCIA

Cáncer y daño reproductivo - www.P65Warnings.ca.gov

3 Evitar daños materiales

3.1 General

Seguir estas instrucciones al utilizar el aparato.

AVISO:

El metal, como una cuchara en un vaso, se debe mantener alejado por lo menos 25 mm (1") de las paredes de la cavidad del aparato y del interior de la puerta.

- ▶ Las chispas podrían dañar irreparablemente el cristal en el interior de la puerta.

Cuando está caliente la cavidad del aparato, cualquier resto de agua en su interior puede generar vapor. Este cambio de temperatura podría causar daños.

- ▶ No derramar nunca agua en la cavidad del aparato mientras esté caliente.
- ▶ No colocar recipientes con agua en la base de la cavidad del aparato.

La presencia prolongada de humedad en la cavidad del aparato puede provocar corrosión.

- ▶ Limpiar siempre los restos de condensación después de cocinar.
- ▶ No dejar alimentos húmedos en la cavidad del aparato con la puerta cerrada durante períodos prolongados de tiempo.
- ▶ No guardar alimentos en la cavidad del aparato.

Los jugos de frutas pueden dejar manchas en la cavidad del aparato.

- ▶ Extraer los jugos de frutas en cuanto sea seguro tocar el recipiente y limpiar el horno, primero con un trapo húmedo y luego con uno seco.

Si se deja enfriar el aparato con la puerta abierta, con el tiempo se puede deteriorar la parte frontal de las unidades adyacentes de la cocina.

- ▶ Después de cocinar a altas temperaturas, dejar que la cavidad del aparato se enfríe siempre con la puerta cerrada. Solo dejar secar la cavidad del aparato con la puerta abierta si se ha producido una gran cantidad de humedad durante el funcionamiento.

Si la junta está muy sucia, la puerta del aparato no se cerrará correctamente mientras esté en funcionamiento. Esto podría dañar la parte frontal de las unidades de cocina adyacentes.

- ▶ Las juntas deben estar limpias en todo momento.
- ▶ No poner en funcionamiento nunca el aparato si la junta está dañada o no la tiene.

Si se colocan o dejan objetos en la puerta del aparato, esta podría resultar dañada.

- ▶ No colocar ningún objeto en la puerta del aparato ni colgar nada de la misma.
- ▶ No colocar recipientes para cocinar o accesorios sobre la puerta del aparato.

En ciertos modelos, los accesorios podrían rayar el cristal del aparato al cerrar la puerta.

- ▶ Introducir los accesorios siempre hasta el fondo de la cavidad del aparato.

Si se transporta el aparato por el asa de la puerta, esta podría romperse. El asa de la puerta no está diseñada para soportar el peso del aparato.

- ▶ No transportar ni sostener el electrodoméstico por el asa de la puerta.

Encender el microondas sin que haya alimentos en la cavidad del aparato puede provocar una sobrecarga.

- ▶ No encender nunca el microondas a menos que haya alimentos en la cavidad del aparato, la excepción a esta norma son aquellos modos de cocción que requieran precalentamiento o una breve prueba de recipientes para el horno.

→ *"Guía de recipientes para microondas", Página 84*

Ajustar siempre la potencia del microondas tal como se recomienda para los alimentos. Los ajustes de alta potencia pueden sobrecalentar los alimentos muy rápidamente.

No sobrecargar el plato giratorio, ya que podría saltar.

4 Protección del medio ambiente y ahorro

4.1 Consejos para la eliminación del embalaje

Todos los materiales del embalaje son ecológicos y reciclables.

- ▶ Desechar los diferentes materiales separados según su naturaleza.

4.2 Ahorro de energía

Si se siguen las recomendaciones siguientes, el aparato consumirá menos energía.

Utilizar recipientes de horneado de color oscuro, con revestimiento negro o esmaltados.

- ✓ Este tipo de recipientes absorben el calor especialmente bien.

Abrir la puerta del aparato lo menos posible mientras esté en funcionamiento;

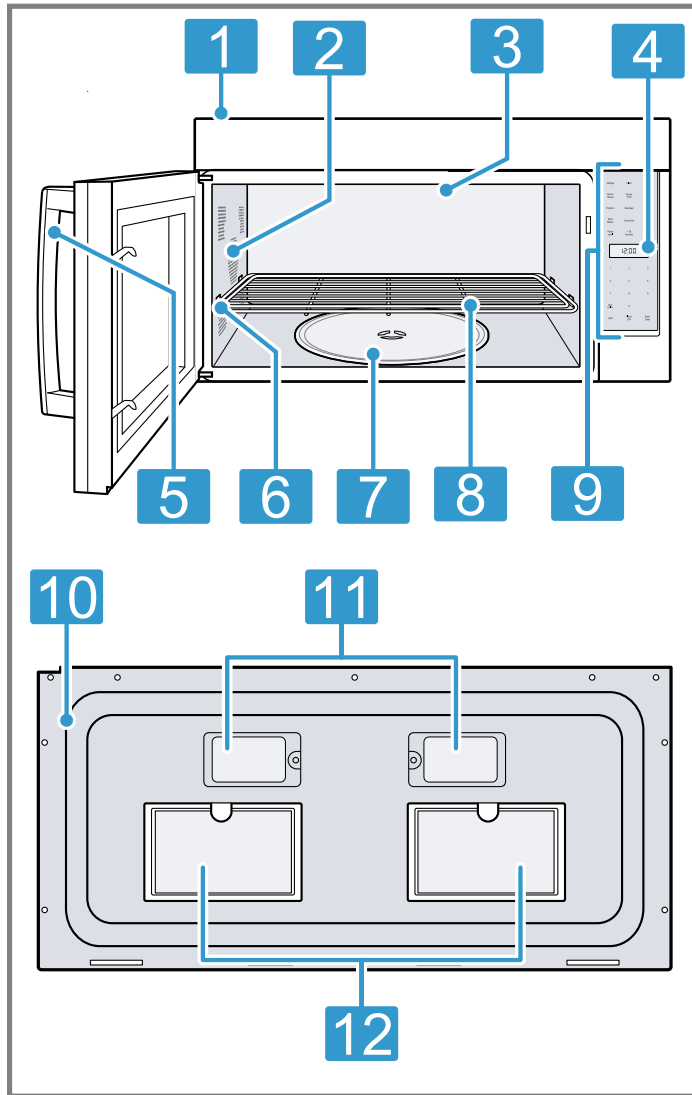
- ✓ De este modo, se mantendrá la temperatura en la cavidad del aparato y el aparato no tendrá que volverse a calentar.

5 Familiarizándose con el aparato

Este manual abarca varios modelos. Es posible que el modelo adquirido tenga solo algunas de las funciones descritas.

5.1 Aparato

Aquí encontrará una vista general de los componentes de su aparato.



- 1** Ventilación del aparato
- 4** Panel indicador
- 5** Asa de la puerta
- 9** Panel de control con teclas táctiles
- 10** Vista inferior
- 11** Iluminación de la superficie (LED)
- 12** Filtros de ventilación

Ventilación del aparato

La ventilación del aparato se encuentra por encima de la cavidad del aparato.

Antes, durante y después de la cocción puede salir aire caliente por la ventilación del aparato. Es normal ver vapor saliendo por la ventilación del aparato y es posible que se acumule condensación en esta zona. Esta área puede calentarse cuando se está usando el aparato. No bloquear la ventilación del aparato, ya que es importante para la circulación del aire.

Ventilador de aire caliente

El ventilador de aire caliente funciona en todos los modos de aire caliente.

Cuando el aparato funciona con un modo de aire caliente, el ventilador de aire caliente se apaga automáticamente al abrir la puerta.

Ventilador de enfriamiento

El ventilador de enfriamiento funciona en todos los modos de cocción.

El ventilador se escucha cuando está en funcionamiento y es posible sentir aire caliente cuando sale por la ventilación del aparato. El ventilador también puede funcionar una vez que el aparato esté apagado.

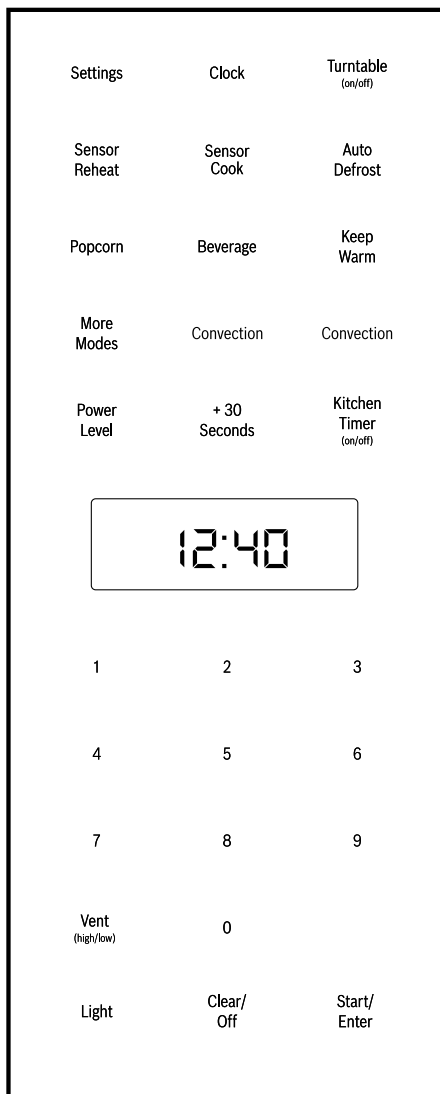
Luz de la cavidad del aparato (LED)

La luz de la cavidad del aparato se apaga para ahorrar energía una vez que transcurre 1 minuto con la puerta abierta.

Para volver a encender la luz, cerrar la puerta y abrirla de nuevo.

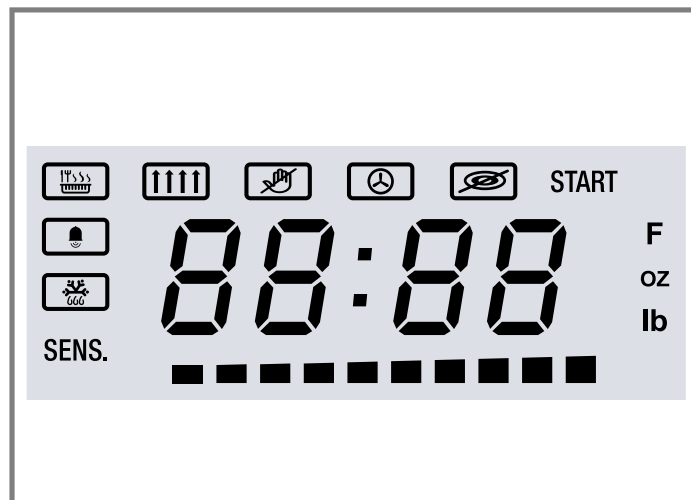
5.2 Panel de control

A través del panel de control se ajustan todas las funciones de su aparato y se obtiene información sobre el estado de funcionamiento.



Panel indicador

El panel indicador muestra las funciones y los ajustes activos. Si los elementos del panel indicador parpadean, significa que es necesario introducir un valor.



Símbolo	Función
	Mantener caliente
	Ventilación
	Bloqueo del panel activado
	Aire caliente
	Plato giratorio desactivado
	Temporizador de cocina
	Descongelar
START	Se requiere confirmación con la tecla táctil Inicio/Confirmar
SENS.	Sensores en curso
F	Temperatura in °F
oz lb	El panel indicador numérico muestra el peso en onzas/libras
.....	Barra de estado para precalentar/nivel de potencia de microondas
00:00	Indicador numérico de tiempo, temperatura o peso, según la unidad de medida que aparece junto al valor.

Teclas táctiles

Las teclas táctiles son áreas sensibles al tacto. Al presionar brevemente la tecla táctil correspondiente se activa una función.



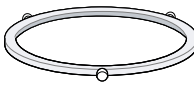

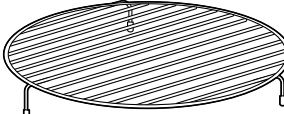
Al presionar una tecla táctil suena un pitido corto de confirmación. Un pitido largo significa que se ha introducido un parámetro incorrecto.

Botón	Función
0 - 9	Utilizar las teclas numéricas para introducir valores personalizados
Start/Enter	Confirmar el valor introducido, iniciar el funcionamiento

Botón	Función
Clear/Off	Borrar el valor introducido, apagar el aparato
Power Level	Ajustar el nivel de potencia al que debe funcionar el microondas
+ 30 Seconds	Añadir 30 segundos al temporizador del microondas
Vent (high/low)	Activar/desactivar la circulación del aire de cocina
Light	Encender/apagar la iluminación de la superficie
Kitchen Timer (on/off)	Programar un temporizador de cocina
Turntable (on/off)	Activar/desactivar plato giratorio
Clock	Ajustar la hora del día
Settings	Acceder al menú de ajustes básicos
Popcorn	Preparar palomitas de maíz, seleccionar el tamaño del paquete
Beverage	Calentar bebida, seleccionar tamaño de la bebida
Keep Warm	Configurar la función para mantener caliente
Sensor Reheat	Recalentar alimentos con ajustes automáticos
Convection	Ajustar el modo de aire caliente
Auto Defrost	Descongelar alimentos con ajustes automáticos
Sensor Cook	Cocinar alimentos con ajustes automáticos

6 Accesorios

Utilizar accesorios originales. Están diseñados para su aparato.
 Los accesorios distribuidos pueden variar en función del modelo del aparato.

Accesorios		Uso
Plato giratorio de cristal		No utilizar el aparato si no están colocados el plato giratorio y el aro de rodillos. → "Ajuste de la bandeja giratoria de vidrio", Página 83
Aro de rodillos (modelos HMV8045U y HMV8045C)		Disco mejorado de apoyo del plato giratorio para una distribución mejorada de la energía de microondas. <ul style="list-style-type: none"> ■ Utilizar en vez del aro de rodillos convencional. ■ Colocar la bandeja de cristal encima.
Aro de rodillos (modelo HMV8054U)		Aro de rodillos convencional <ul style="list-style-type: none"> ■ Colocar la bandeja de cristal encima.
Rejilla		Ofrece espacio adicional.
Rejilla para aire caliente		Utilizar con el modo de aire caliente.

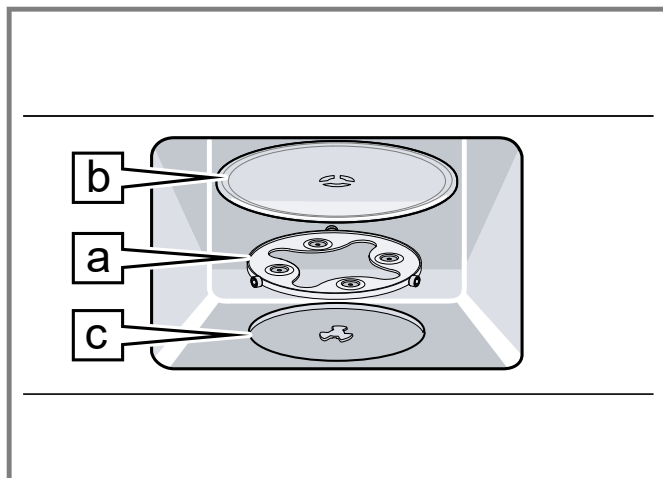
6.1 Ajuste de la bandeja giratoria de vidrio

No utilizar el aparato si el plato giratorio no está colocado.

Nota: Los gráficos son representativos. El aparato adquirido puede presentar una apariencia o diseño distinto.

1. Colocar el aro de rodillos **a** en el hueco de la cavidad del aparato.

2. Encajar la ranura **b** del plato giratorio en el rotor **c** situado en el centro de la base de la cavidad del aparato.



3. Comprobar que el plato giratorio esté adecuadamente encajado en su lugar y que pueda girar con libertad cuando el microondas está funcionando.

6.2 Uso de la parrilla

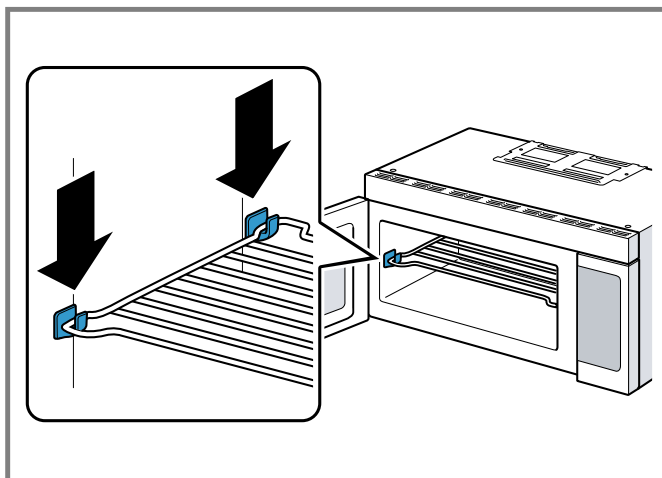
La parrilla ofrece espacio adicional para cocinar en más de un recipiente al mismo tiempo.

⚠ PRECAUCIÓN

Se debe hacer un uso adecuado de la rejilla para evitar lesiones personales o daños materiales.

- ▶ No utilizar la parrilla para preparar palomitas.
- ▶ La parrilla debe estar bien asentada en los cuatro soportes de plástico durante su uso.
- ▶ No se debe cocinar con la parrilla colocada sobre la base de la cavidad del aparato.
- ▶ Utilizar la parrilla solo al preparar alimentos en dos posiciones.
- ▶ La parrilla se puede calentar notablemente durante la cocción. Dejar que la parrilla se enfríe antes de manipularla.
- ▶ Cuando no se utilice, guardar la parrilla fuera del microondas, en un gabinete.

1. Asentar la parrilla con seguridad en los cuatro soportes de plástico.



Nota: La parrilla no debe tocar las paredes metálicas ni la parte posterior de la cavidad del aparato.

2. Deben colocarse cantidades similares de alimentos por encima y por debajo de la parrilla para equilibrar la energía de la cocción.

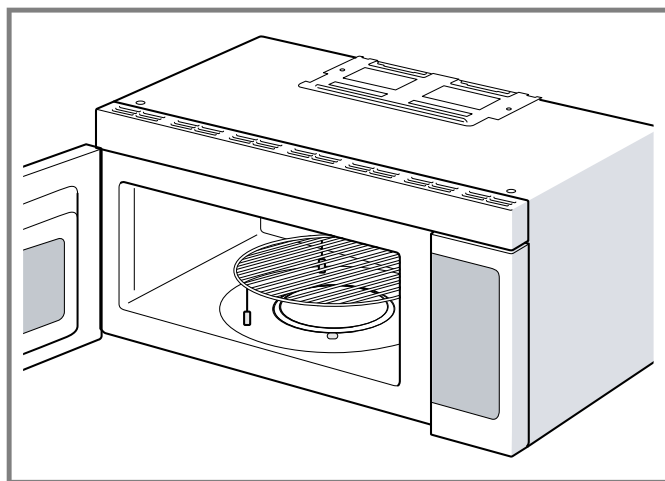
6.3 Uso de la rejilla para aire caliente

La rejilla para aire caliente brinda los mejores resultados de cocción al hornear con aire caliente (convección).

Notas

- No utilizar la rejilla para aire caliente para calentar o cocer con microondas.
- Colocar la rejilla para aire caliente en el aparato cuando este esté precalentado.

1. Colocar la rejilla para aire caliente con seguridad en el centro del plato giratorio de vidrio.



2. Colocar directamente los alimentos en la rejilla para aire caliente.

6.4 Guía de recipientes para microondas

Consultar esta sección para verificar si los recipientes para microondas disponibles son apropiados para su uso con este horno.

Recipientes para horno apropiados

Refractarios	Ejemplos
Cristal resistente al calor, vitrocerámica y loza de barro cocido	Platos de uso común, platos para pan, bandejas para pasteles, moldes para pay, tazas de medición de líquidos, cazuelas y tazones sin reborde metálico (p. ej. Pyrex®, Anchor Hocking™, Corning Ware®, Emile Henry, etc.). ¹
Porcelana	Tazones, tazas, platos de servir y bandejas sin borde metálico.
Película autoadherente y envolturas de plástico	Envoltura de plástico, como cubierta: <ul style="list-style-type: none"> ■ Colocar holgadamente la envoltura de plástico por encima del plato y apretarla por los lados. ■ Ventilar la envoltura de plástico girando una esquina ligeramente hacia atrás, para permitir que salga el exceso de vapor. ■ El plato debería ser lo suficientemente hondo para que la envoltura no toque los alimentos.
Plásticos seguros para el microondas	Platos de plástico adecuados para el microondas, tazas, recipientes para el congelador semirrígidos y bolsas de plástico para tiempos de cocción breves.

¹ Estas marcas son marcas comerciales registradas de sus respectivos propietarios. Todas las demás marcas son marcas comerciales de BSH Home Appliances Corporation o sus sociedades afiliadas.

Refractarios	Ejemplos
	Estos utensilios deben utilizarse con cuidado, ya que el plástico puede reblandecerse con el calor de la comida.
Productos de papel	Toallas de cocina, papel de cera, papel pergamino, servilletas de papel y platos de papel sin rebordes ni diseños metálicos. Consultar la etiqueta del fabricante para conocer posibles instrucciones especiales de uso en el microondas.
¹ Estas marcas son marcas comerciales registradas de sus respectivos propietarios. Todas las demás marcas son marcas comerciales de BSH Home Appliances Corporation o sus sociedades afiliadas.	

Utensilios para horno no apropiados

Refractarios	Ejemplos
Utensilios y recipientes metálicos para cocinar	Evitar la presencia de metal en la cavidad del aparato: <ul style="list-style-type: none"> El metal actúa como un escudo entre la energía de microondas y los alimentos, lo que provoca una cocción no homogénea. Se deben evitar también las brochetas metálicas, los termómetros o las bandejas recubiertas de papel de aluminio. Los utensilios de metal pueden generar fenómenos de arco eléctrico, que podrían dañar el microondas.
Decoraciones de metal	Tazones, tazas, platos de servir y bandejas con borde metálico.
Papel de aluminio	Se deben evitar las láminas grandes de papel de aluminio, porque retrasan la cocción y pueden generar fenómenos nocivos de arco eléctrico. Utilizar pequeños fragmentos de papel de aluminio para proteger las patas y las alas de las aves. Es preciso mantener TODO el papel de aluminio como mínimo a 25 mm (1") de distancia de las paredes laterales de la cavidad del aparato y de la puerta del aparato.
Madera	Los tazones y las tablas de madera se resecan y pueden agrietarse o partirse si se utilizan en el microondas. Lo mismo ocurre con los cestos de madera.
Recipientes de cocina firmemente cerrados	El vapor debe poder escapar: <ul style="list-style-type: none"> Es preciso asegurarse de dejar aberturas para que el vapor pueda salir de los recipientes de cocina tapados.

Refractarios	Ejemplos
	<ul style="list-style-type: none"> Es preciso perforar las bolsas de plástico con verduras u otros alimentos antes de cocinarlos. Las bolsas firmemente cerradas podrían explotar.
Papel color café	Es preciso evitar utilizar bolsas de papel color café, ya que absorben el calor y pueden arder.
Recipientes de cocina dañados o agrietados	Los recipientes de cocina agrietados, dañados o desportillados pueden romperse en el aparato.
Alambres plastificados	Retirar los alambres plastificados de las bolsas de plástico o papel, ya que, de lo contrario, podrían calentarse y causar un incendio.

Comprobación de la adecuación para microondas de recipientes para el horno

Si se tienen dudas acerca de la adecuación de los recipientes de horno disponibles para su uso en el microondas, es posible realizar la siguiente comprobación. No encender el microondas a menos que haya comida en su interior; esta prueba para recipientes de horno constituye la única excepción a esta norma.

- Calentar el recipiente vacío de horno a máxima potencia durante un período de entre medio minuto y un minuto.
- Comprobar la temperatura ocasionalmente durante este periodo;
 - el recipiente debe mantenerse frío o templado al tacto.
 - El recipiente de horno no es apropiado si se calienta o si genera chispas.

7 Antes del primer uso

Ejecutar los siguientes pasos antes de utilizar el aparato.

- Un proveedor de servicios calificado debe instalar correctamente el aparato antes de su uso.
- Es preciso leer y entender todas las precauciones de seguridad y la información que figura en manual antes de utilizar el aparato.
- Este manual abarca varios modelos. No todas las funciones están disponibles en todos los modelos.

7.1 Limpiar el aparato antes de usarlo por primera vez

Nota: El aparato debe equiparse y conectarse completamente antes de utilizarlo por primera vez.

- Hay que retirar todo el material de empaque del interior y exterior del aparato.
- Antes de calentar el aparato, limpiar las superficies lisas de la cavidad del aparato con un trapo limpio y húmedo, y secar.
- Limpiar los accesorios con agua jabonosa y un paño suave.

Nota: Puede notarse un ligero olor durante los primeros usos. Es normal y acabará por desaparecer.

7.2 Aplicación de la etiqueta de programas

- ▶ Adherir la etiqueta de programas incluida en el lenguaje deseado en el lateral de la cavidad del aparato. Se pueden consultar las instrucciones en la etiqueta de programas.

7.3 Ajuste de la hora del día

El reloj puede ajustarse en modo de 12 horas.

1. Presionar **Clock** una vez.
2. Introducir la hora con las teclas numéricas. La hora avanza de derecha a izquierda.

Ejemplo: para que el reloj marque 12:41 presionar 1 2 4 1.

3. Presionar **Clock** para confirmar.

- ✓ Se muestra la hora del día.

8 Manejo básico

8.1 Ajuste del microondas

Requisito: El aparato está apagado.

1. Introducir el tiempo de cocción deseado con el teclado numérico. El indicador de tiempo avanza de derecha a izquierda.

Ejemplo: para ajustar un tiempo de cocción con microondas de 20 minutos y 30 segundos, introducir la secuencia 2 0 3 0.

- ✓ **START** parpadea en el panel indicador.
2. Para iniciar el microondas con el nivel de potencia predeterminado 10, presionar **Start/Enter**.
 3. Para ajustar el nivel de potencia, presionar **Power Level**.
 - ✓ Parpadea el nivel de potencia predeterminado P^L 10.
 - ✓ Los segmentos de la barra de estado también indican el nivel de potencia.
 4. Introducir el nivel de potencia deseado con las teclas numéricas.
 - ✓ Parpadean P^L , el nivel de potencia seleccionado y **START** en el panel indicador.

Niveles de potencia de microondas

Esta sección muestra una síntesis de los distintos ajustes de potencia de microondas e indicaciones sobre cuándo utilizarlos.

5. Presionar **Start/Enter** para poner en marcha el microondas.
 - ✓ Comienza la cuenta regresiva del tiempo de cocción.
 - ✓ Se escuchan 4 pitidos cuando se agota el tiempo de cocción.
 - ✓ El aparato se apaga y se muestra la hora.

Adición de tiempo de cocción (+ 30 segundos)

Es posible añadir tiempo de cocción cuando el microondas está en marcha.

1. Presionar **+ 30 Seconds**.

- ✓ Se añaden 30 segundos al tiempo de cocción.
2. Si se presiona **+ 30 Seconds** cuando el aparato está apagado, el microondas se pone en marcha al nivel de potencia 10 con 30 segundos de tiempo de cocción.

Cambio del nivel de potencia

Es posible cambiar el nivel de potencia de microondas durante el funcionamiento.

1. Presionar **Power Level**.

- ✓ Parpadea el nivel de potencia actual.
2. Introducir el nivel de potencia deseado con las teclas numéricas.
 - ✓ Parpadean P^L , el nivel de potencia seleccionado y **START** en el panel indicador.
 3. Presionar **Start/Enter** para reanudar el funcionamiento del microondas.

Apertura de la puerta del aparato durante el funcionamiento

- ▶ Si se abre la puerta del aparato durante el funcionamiento, se interrumpe el modo actual. Cerrar la puerta del aparato y presionar **Start/Enter** para reanudar el funcionamiento.

Cancelación del funcionamiento

- ▶ Tocar **Clear/Off**.
 - ✓ El modo de operación activo se cancela.
 - ✓ El aparato se apaga y se muestra la hora.
 - ✓ Es posible que el ventilador de refrigeración continúe funcionando durante un rato antes de apagarse automáticamente.

Nivel de potencia	Potencia del microondas	Usar para
10	100%	<ul style="list-style-type: none"> ■ Hervir agua ■ Cocinar carne molida ■ Cocinar frutas y verduras frescas ■ Cocinar pescado y aves ■ Precalentar un plato para dorar ■ Recalentar bebidas ■ Cocinar tiras de tocino
9	90%	<ul style="list-style-type: none"> ■ Recalentar filetes de carne rápidamente ■ Saltear cebolla, apio y pimientos morrones verdes
8	80%	<ul style="list-style-type: none"> ■ Todos los recalentados ■ Cocinar huevos revueltos
7	70%	<ul style="list-style-type: none"> ■ Cocinar pan y productos de cereales ■ Cocinar platos de queso ■ Cocinar muffins, brownies y cupcakes ■ Cocinar un ave entera
6	60%	<ul style="list-style-type: none"> ■ Cocer pasta
5	50%	<ul style="list-style-type: none"> ■ Cocinar carne ■ Preparar natillas ■ Cocinar costillas sueltas, asado de costillas y filete asado
4	40%	<ul style="list-style-type: none"> ■ Cocinar cortes menos tiernos de carne ■ Recalentar alimentos congelados envasados ■ Derretir chocolate
3	30%	<ul style="list-style-type: none"> ■ Descongelar carne, aves y mariscos ■ Cocinar pequeñas cantidades de comida ■ Terminar de preparar estofados, guisos y ciertas salsas
2	20%	<ul style="list-style-type: none"> ■ Ablandar mantequilla y queso crema
1	10%	<ul style="list-style-type: none"> ■ Ablandar helado ■ Dejar leudar la masa de levadura

Sugerencias para obtener resultados óptimos al cocinar con microondas

Se recomienda seguir las siguientes sugerencias para obtener los mejores resultados posibles con el microondas.

Temperatura de conservación	Los alimentos recién sacados del refrigerador o del congelador tardan más tiempo en cocinarse.
Tamaño	Para resultados homogéneos: <ul style="list-style-type: none"> ■ Los trozos pequeños de alimentos se cocinan más rápido que los grandes. ■ Cocinar conjuntamente trozos de tamaño y forma similares. ■ Reducir el nivel de potencia al cocinar trozos grandes de alimentos.
Jugosidad natural	Los alimentos naturalmente jugosos se cocinan de forma más homogénea porque la energía de microondas calienta las moléculas de agua con gran eficacia.


Remover los alimentos durante la cocción	Remover los alimentos (p. ej. guisados y verduras) desde fuera hacia dentro para distribuir el calor de forma más homogénea; de este modo, la comida se calentará más rápidamente. No es necesario remover constantemente.
Dar la vuelta a los alimentos	Dar la vuelta a alimentos como chuletas de cerdo, carne asada o coliflores enteras una vez transcurrida la mitad del tiempo de cocción; de este modo, todos los lados del alimento quedarán igualmente expuestos a la energía de microondas.
Dónde colocar los alimentos en el plato giratorio	Colocar las áreas más delicadas de los alimentos, como las puntas de espárragos, orientadas hacia el centro del plato giratorio.
Disposición de alimentos de formas irregulares	Disponer los alimentos de formas irregulares, como los trozos de pollo o de salmón, con las partes más gruesas o carnosas orientadas hacia el exterior del plato giratorio.

Dejar que repose la comida	<p>Al sacar los alimentos del microondas:</p> <ul style="list-style-type: none"> ■ cubrirlos con papel aluminio o con la tapa de una olla y dejarlos reposar para que terminen de cocerse. De este modo, se finalizará la cocción de la comida por la parte central sin que se cocinen los bordes exteriores en exceso. ■ La duración del tiempo de reposo depende de la densidad y del área superficial de los alimentos.
Envolver los alimentos	Envolver los sándwiches y otros tipos de alimentos que contengan pan previamente horneado en toallas de papel o papel de cera antes de introducirlos en el aparato, de este modo, se evita que los alimentos se resequen al calentarse.

8.2 Ajuste del reloj avisador de cocina

Es posible programar un tiempo de cocción de hasta 99 minutos y 59 segundos.

1. Tocar **Kitchen Timer (on/off)**.

- ✓  se ilumina.
- ✓ Parpadea **00:00**.

2. Introducir el tiempo deseado con las teclas numéricas.

Los números se introducen de derecha a izquierda. Para configurar el temporizador a 5 minutos y 30 segundos, introducir la secuencia «5 3 0».

3. Tocar **Kitchen Timer (on/off)** para confirmar.

- ✓ El temporizador de cocina comienza la cuenta regresiva.
- ✓ Cuando transcurre el tiempo de cocción, suenan 4 bips. Los bips se interrumpen al tocar **Kitchen Timer (on/off)**.

Cancelación del reloj avisador de cocina

- ▶ Presionar **Kitchen Timer (on/off)** o abrir la puerta del aparato.


8.3 Manejo del ventilador

El ventilador desplaza el humo y otros vapores de cocción de la superficie de cocción de la estufa por debajo del aparato.

- ▶ Tocar **Vent (high/low)** varias veces hasta alcanzar el nivel de ventilación deseado.

Nivel de ventilación	Tocar tecla Vent (high/low)
4 (Hi)	una vez
3	dos veces
2	Tres veces
1 (Lo)	Cuatro veces

Nivel de ventilación	Tocar tecla Vent (high/low)
APAGADO	Cinco veces

- ✓  y el nivel de ventilación se iluminan en el panel indicador.

Nota: Si la temperatura en torno al aparato sube mucho, el ventilador se activa automáticamente en su nivel más bajo para enfriarlo. El ventilador se desconecta automáticamente cuando todos los componentes internos se enfrían. Cuando esto ocurre, no es posible desconectar manualmente el ventilador.

8.4 Encendido o apagado de la iluminación de la superficie

El apartado está equipado con una luz de la superficie de cocción que ilumina la superficie bajo el aparato.

- ▶ Presionar **Light** varias veces hasta alcanzar el nivel de brillo deseado o para apagar la luz superficial.

Brillo	Tecla táctil Light
Alta	una vez
Baja	dos veces
Apagado	tres veces

8.5 Encendido o apagado del giro del plato

Para obtener mejores resultados de cocción, se aconseja dejar activado el giro del plato. El giro puede desactivarse para platos de gran tamaño.


PRECAUCIÓN

El plato giratorio puede calentarse.


- ▶ Dejar que se enfríe el plato giratorio tras la cocción antes de tocarlo.

No utilizar el aparato si no está colocado el plato giratorio. No debe utilizarse el aparato si está vacío.

1. Presionar **Turntable (on/off)**.

- ✓  y **OFF** se encienden brevemente.
- ✓ El plato giratorio deja de girar.

2. Para volver a encenderlo, presionar **Turntable (on/off)**.

- ✓  y **On** se encienden brevemente.
- ✓ El plato giratorio empieza a girar.

8.6 Cocción con aire caliente

La cocción con convección hace circular aire caliente por la cavidad del aparato mediante un ventilador. El aire en movimiento constante rodea los alimentos y calienta la parte exterior con rapidez, otorgándole un aspecto tostado

homogéneo y sellando los sabores gracias al desplazamiento continuo del aire caliente sobre la superficie de la comida.

⚠ PRECAUCIÓN

La puerta y el exterior del aparato y la parrilla se calientan durante la cocción.

- ▶ Usar siempre guantes para horno.

Recipientes de cocción recomendados para cocinar con aire caliente


Usar siempre la parrilla de aire caliente cuando se use el modo de aire caliente.

Tipo de recipiente	Recomendaciones
Refractarios metálicos	<ul style="list-style-type: none"> ■ Recomendadas para todos los tipos de productos horneados, sobre todo cuando el dorado es importante. ■ Los recipientes de metal oscuros o con acabado opaco son los mejores para panes y pasteles porque absorben el calor y crean una corteza más crujiente. ■ Los recipientes de aluminio brillantes son mejores para pasteles, galletas o muffins porque reflejan el calor y consiguen una corteza ligeramente más suave.
Cazuelas de cristal o vitrocerámica, o platos para hornear	<ul style="list-style-type: none"> ■ Perfectas para recetas con huevos o queso gracias a la fácil limpieza del cristal.

Ajuste del modo de aire caliente

Se puede ajustar una temperatura entre 200 F (93 C) y 425 F (220 C).

1. Tocar **Convection.**

- ✓ Se enciende  en el panel indicador.
- ✓ Parpadean 350 °F y **START**.

2. Introducir la temperatura deseada con el teclado numérico.

3. Tocar **Start/Enter.**

- ✓ El aparato comienza a precalentarse. La barra de avance comienza a llenarse.
- ✓ No abrir la puerta del aparato durante el precalentamiento.
- ✓ Una vez finalizado el precalentamiento, el aparato emite dos breves bips y la barra de avance desaparece.

4. Colocar la rejilla para aire caliente y los alimentos en el aparato.

Cerrar rápidamente la puerta para mantener la temperatura.

5. Para finalizar la cocción con aire caliente, tocar **Clear/Off.**

Nota: Durante la cocción con aire caliente, el ventilador puede activarse automáticamente al ajuste más bajo de velocidad para enfriar los componentes del aparato.

Recomendaciones cocinar con aire caliente

La mayoría de las elaboraciones horneadas requieren precalentar el aparato.

Alimento	Platillo	Temperatura in °F (°C)	Tiempo de cocción en min.
Brownies	Molde cuadrado, 9"	325 (165)	25-35
Galletas estilo inglés	Bandeja para hornear, Ø 11"	350-375 (175-190)	7-17
Galletas	Bandeja para hornear, Ø 11"	325-350 (165-175)	8-16
Pasta de hojaldre	Bandeja para hornear, Ø 11"	375 (190)	30-40
Pay fresca de frutas	Bandeja para pasteles con recubrimiento oscuro, Ø 8"	350-400 (175-205)	45-60
Panecillos pequeños	Bandeja para hornear, Ø 11"	325-350 (165-175)	15-22
Trozos de pollo	Bandeja para hornear, Ø 11"	375 (190)	25-35
Filete de pescado, ½" a 1" de grosor	Bandeja para hornear, Ø 11"	350 (175)	15-25
Chuletas de cerdo, ½" de grosor	Bandeja para hornear, Ø 11"	400-425 (205-220)	15-20
Pizza congelada, masa crujiente	Rejilla para aire caliente	375-425 (190-220)	14-25
Pizza congelada, masa blanda	Molde para pizza, 12"	400-425 (205-220)	18-25

8.7 Ajustes básicos

Puede adaptar los ajustes básicos del aparato a sus necesidades propias.

Vista general de los ajustes básicos

Panel indicador	Función	Tocar tecla Settings
<i>Snd</i>	Sonidos de las teclas <ul style="list-style-type: none"> ■ Activado ■ Apagado 	Una vez
<i>Clb</i>	Visualización del reloj en modo de espera <ul style="list-style-type: none"> ■ Activado ■ Apagado 	Dos veces

Modificación de ajustes básicos

Nota: Solo se puede cambiar un ajuste a la vez. Para modificar otro ajuste, salir del menú de ajustes y empezar desde arriba.

1. Presionar **Settings**.
 - ✓ *Snd* y *OFF* o *On* aparecen alternativamente en el panel indicador.
2. Volver a presionar **Settings** para saltar al siguiente ajuste básico.
3. Introducir la opción de ajuste deseada con las teclas numéricas 1 o 2.
4. Presionar **Start/Enter** para confirmar.
5. Presionar **Clear/Off** para salir del menú de ajustes.

9 Programas de sensor

9.1 Descongelación automática

Con el modo de descongelación automática se pueden descongelar tres tipos de comidas distintas introduciendo el peso. El programa calcula el tiempo de descongelación ideal.

ADVERTENCIA

Para evitar riesgos para la salud, desechar los líquidos que se producirán al descongelar carnes o aves antes de dar la vuelta a los alimentos. Estos líquidos no deben ser utilizados para otros fines bajo ninguna circunstancia, ni deben entrar en contacto con otros alimentos.

Programas de descongelación automática

Número de programa	Alimento	Rango de peso
<i>dEF1</i>	Carne molida	0.5 - 3 lb
<i>dEF2</i>	Trozos de carne, como filetes o chuletas	0.5 - 3 lb
<i>dEF3</i>	Trozos de aves	0.5 - 3 lb

Ajuste del modo de descongelación

1. Tocar **Auto Defrost** una vez. *0.0* lb y  se iluminan en el panel indicador.
 - ✓  se ilumina en el panel indicador.
 - ✓ Parpadean *dEF1* y **START**.
2. Tocar **Auto Defrost** varias veces hasta que aparezca en el panel indicador el número del programa deseado. Véase la etiqueta con los menús de la parte inferior de la cavidad del aparato o la tabla de programas de este manual.
3. Tocar **Start/Enter**.
 - ✓ *0.0* lb parpadea en el panel indicador.
4. Introducir el peso de los alimentos con las teclas numéricas.
5. Tocar **Start/Enter**.
 - ✓ Se inicia el programa.
6. Durante la descongelación se escucha un bip.
 - Dar la vuelta a los alimentos o separar los trozos.
 - Cerrar la puerta del aparato y tocar **Start/Enter**.
- ✓ Cuando termina el programa, suenan cuatro pitidos.
- ✓ El aparato se apaga y se muestra la hora.

Recomendaciones de descongelación

Seguir estas recomendaciones generales para obtener resultados óptimos de descongelación.

- Utilizar un recipiente bajo apto para microondas, como un plato hondo o plano de cristal, pero sin tapanlo.
- Introducir siempre el peso en lb al utilizar la función de descongelación por peso (entre 0.1 y 6.0 lb).
- Utilizar el modo de descongelación únicamente con alimentos crudos.
- La descongelación ofrece sus mejores resultados cuando los alimentos que se desea descongelar se encuentran a un mínimo de 0 °F y se extraen directamente del congelador. Si los alimentos han estado almacenados en un refrigerador-congelador que no mantiene su temperatura a 5 °F o menos, se debe programar un peso menor o menos tiempo de cocción para evitar que los alimentos se cosan.
- Si los alimentos congelados se conservan fuera del congelador durante un período de hasta 20 minutos, introducir un tiempo de cocción o un peso menor.
- La forma del empaque influye en el tiempo de descongelación. Los paquetes de comida rectangulares y poco profundos se descongelan con mayor rapidez que un bloque congelado y grueso de alimentos.

- Separar los trozos según comiencen a descongelarse. Los trozos separados de comida congelada se descongelan más fácilmente.
- Proteger las zonas templadas de los alimentos con pequeños fragmentos de papel de aluminio si empiezan a calentarse demasiado. Utilizar fragmentos pequeños de papel de aluminio para proteger partes de alimentos como las alas de pollo, los extremos de las patas o las colas de pescado. No permitir que el papel de aluminio toque la cavidad del aparato durante la descongelación.

Recomendaciones relativas al tiempo de reposo

- Dejar reposar los alimentos descongelados durante un período adicional de entre 10 y 30 minutos hasta que alcance una temperatura homogénea.
- Los trozos de carne de mayor tamaño requieren un tiempo de espera más prolongado que los pequeños.
- Separar los trozos planos de carne y los productos hechos con carne molida antes de dejarlos reposar.
- Transcurrido el tiempo de reposo, es posible continuar preparando la comida, incluso aunque las partes centrales de los trozos gruesos de carne sigan congeladas.

Recomendaciones para descongelar carne

Para obtener resultados óptimos, tener presentes las siguientes recomendaciones al descongelar carne.

Carne	Rango de peso	Recomendaciones
Carne molida	0.5 - 3.0 lb (8 - 48 oz)	Tras cada etapa, retirar todos los trozos de alimentos que estén prácticamente descongelados. Dejar reposar los alimentos tapados con papel aluminio durante 5-10 minutos.
Filetes, chuletas o pescado	0.5 - 3.0 lb (8 - 48 oz)	Tras cada etapa, redistribuir los alimentos. Si hay trozos que se han calentado o descongelado, aislarlos con pequeños fragmentos de papel de aluminio. Retirar los trozos de alimentos que estén prácticamente descongelados. Dejar reposar los alimentos tapados con papel aluminio durante unos 5 a 10 minutos.
Trozos de pollo	0.5 - 3.0 lb (8 - 48 oz)	Tras cada etapa, redistribuir o retirar todos los trozos de alimentos que estén prácticamente descongelados. Dejar reposar durante 5-10 minutos.

9.2 Recalentado por sensor

Esta función permite recalentar platos de comida o guisados de entre 8 oz y 12 oz.

Ajuste del modo de recalentado por sensor

1. Colocar los alimentos en un plato de cena para microondas y cubrirlos con papel aluminio perforado o papel encerado.
2. Presionar **Sensor Reheat** una vez.
 - ✓ **5-- / y START** parpadean en el panel indicador.
3. Presionar **Sensor Reheat** varias veces hasta que aparezca en el panel indicador el número del programa deseado.

Véase la etiqueta con los menús de la parte inferior de la cavidad del aparato o la tabla de programas de este manual.

4. Presionar **Start/Enter** para iniciar el proceso de detección con sensores.
 - ✓ Se enciende **SENS.** en el panel indicador.
 - ✓ Una vez que finaliza el funcionamiento del sensor, suenan dos pitidos y comienza la cuenta regresiva del tiempo de cocción calculado.
5. Una vez que se muestra el tiempo de cocción calculado se puede abrir la puerta para remover, girar o reacomodar los alimentos. Presionar **Start/Enter** para reanudar el funcionamiento.
 - ✓ Cuando termina el programa, suenan cuatro pitidos.

- ✓ El aparato se apaga y se muestra la hora.

Programas de recalentado por sensor

Número de programa	Alimento	Cantidad
5r-1	Plato de cena	1 ración
5r-2	Guisos, pasta	1-4 raciones

Recomendaciones de recalentado

Alimento	Recomendaciones	Cantidad
Plato de cena	<ul style="list-style-type: none"> ■ Utilizar únicamente alimentos precocinados y refrigerados. ■ Tapar el plato con envoltura de plástico o papel encerado perforado; la envoltura debe quedar sujeta por la parte inferior del plato. ■ Si la comida no está lo suficientemente caliente después de calentarla con la función Sensor Reheat, seguir calentando con el ajuste manual de tiempo y nivel de potencia. <p>Se incluyen los siguientes alimentos:</p> <ul style="list-style-type: none"> ■ 3-4 oz de carne, aves o pescado (hasta 6 oz con hueso) ■ ½ taza de productos almidonados (papas, pasta, arroz, etc.) ■ ½ taza de verduras (3-4 oz aprox.) 	1 ración (1 plato)
Guisos, pasta	<ul style="list-style-type: none"> ■ Utilizar únicamente alimentos precocinados y refrigerados. ■ Cubrir el plato con una tapa o con papel aluminio perforado. ■ Si la comida no está lo suficientemente caliente después de calentarla con la función Sensor Reheat, seguir calentando con el ajuste manual de tiempo y nivel de potencia. <p>Se incluyen los siguientes alimentos:</p> <ul style="list-style-type: none"> ■ Guiso: alimentos refrigerados, como lasaña o guisado de carne ■ Pasta: espagueti y ravioli de lata, alimentos refrigerados 	1-4 raciones

9.3 Cocción con sensor

Esta función permite cocinar muchas de las comidas favoritas del usuario sin tener que seleccionar tiempos de cocción ni niveles de potencia. El aparato determina automáticamente el tiempo de cocción necesario para cada alimento.

Para obtener resultados óptimos:

- Los alimentos cocinados con el sistema de sensor deben partir de una temperatura de almacenamiento normal.
- El plato giratorio, la bandeja de vidrio y el exterior del recipiente deben estar secos.
- Los alimentos deben estar siempre holgadamente cubiertos con papel aluminio adecuado para microondas, papel encerado o una tapa.
- No abrir la puerta ni tocar **Clear/Off** mientras esté funcionando el sensor. Cuando ha terminado de funcionar el sensor, el aparato emite dos bips y aparece el tiempo de cocción restante en el panel indicador. **En este momento, se puede abrir la puerta para remover, girar o reacomodar los alimentos.**

Ajuste de la cocción por sensor

1. Tocar **Sensor Cook**.

- ✓ Parpadean 5c-1 y **START**.

2. Tocar **Sensor Cook** varias veces hasta que aparezca en el panel indicador el número del programa deseado. Véase la etiqueta con los menús de la parte inferior de la cavidad del aparato o la tabla de programas de este manual.

3. Presionar **Start/Enter** para iniciar el proceso de detección con sensores.

Nota: No abrir la puerta durante el funcionamiento del sensor o el programa se cancelará.

- ✓ Se enciende **SENS** en el panel indicador.
 - ✓ Una vez que finaliza el funcionamiento del sensor, suenan dos pitidos y comienza la cuenta regresiva del tiempo de cocción calculado.
4. Una vez que se muestra el tiempo de cocción calculado se puede abrir la puerta para remover, girar o reacomodar los alimentos. Presionar **Start/Enter** para reanudar el funcionamiento.
 - ✓ Cuando termina el programa, suenan cuatro pitidos.
 - ✓ El aparato se apaga y se muestra la hora.

Programas de cocción por sensor

Número de programa	Alimento	Cantidad	Recomendaciones de cocción
5c-1	Papa asada	1-4 papas (8-32 oz.)	Después de la cocción, dejar reposar los alimentos envueltos en papel de aluminio durante 5 minutos.
5c-2	Camote	1-4 papas (8-32 oz.)	Después de la cocción, dejar reposar los alimentos envueltos en papel de aluminio durante 5 minutos.
5c-3	Verduras frescas	8-24 oz. (0.5-1.5 lb)	No se necesita agua si las verduras se acaban de lavar. Añadir 2 cucharadas de agua por cada 8 onzas de verduras frescas.
5c-4	Verduras congeladas	8-24 oz. (0.5-1.5 lb)	Añadir una cucharada de agua por cada 4 onzas de verduras congeladas.
5c-5	Carne molida	8-24 oz. (0.5-1.5 lb)	Después de la cocción, dejarla reposar envuelta durante 3-4 minutos.
5c-6	Pescados/mariscos	8-24 oz. (0.5-1.5 lb)	Enrollar los extremos delgados por debajo. Disponer en forma de anillo en un plato para microondas.
5c-7	Arroz integral	0.5-2 tazas de arroz seco	Utilizar un refractario con bordes altos. No cubrir. Utilizar 1 taza de arroz por cada 3 tazas de agua.
5c-8	Arroz blanco	0.5-2 tazas de arroz seco	Utilizar un refractario con bordes altos y tapa. Utilizar 1 taza de arroz por cada 2 tazas de agua.
5c-9	Entradas congeladas	-	Seguir las instrucciones del paquete para la ventilación, el corte del papel de plástico, etc.

10 Funcionamiento práctico**10.1 Bebidas**

Con la función para bebidas, puede calentar entre 0.5 y 2 tazas.

Cantidad	Tecla táctil Beverage
0.5 taza, 8 oz aprox.	Una vez
1 tazas, 16 oz aprox.	Dos veces
1.5 tazas, 24 oz aprox.	Tres veces
2 tazas, 32 oz aprox.	Cuatro veces

Ajuste de la función para bebidas

Ejemplo: calentar 1 taza de una bebida.

⚠ PRECAUCIÓN

Las bebidas que se calientan con la función para bebidas pueden calentarse mucho.

- ▶ El recipiente debe sacarse con cuidado.

Requisito: Utilizar tazas o vasos medidores aptos para microondas, sin cubrirlos.

1. Presionar **Beverage** dos veces.

✓ Parpadean **2** y **START**.

2. Presionar **Start/Enter**.

- ✓ Cuando termina el programa, suenan cuatro pitidos.
 - ✓ El aparato se apaga y se muestra la hora.
3. Remover después de calentar.

Nota: Dejar que el aparato se enfríe durante al menos 5 minutos antes de volver a utilizarlo.

10.2 Palomitas

La función para palomitas permite preparar 3 tamaños de bolsas diferentes de palomitas para microondas en envases comerciales.

Tamaño de la bolsa	Tocar tecla Popcorn
1.2 oz	Una vez
2.5 oz	Dos veces
3.5 oz	Tres veces

Ajuste de la función para palomitas

Ejemplo: preparar una bolsa de palomitas de 3.5 oz.

⚠ PRECAUCIÓN

No dejar el aparato sin supervisión mientras se están haciendo palomitas. Las palomitas pueden prenderse y provocar un incendio.

⚠ PRECAUCIÓN

Proceder con precaución al sacar del aparato y abrir la bolsa de palomitas calientes.

1. Presionar **Popcorn** 3 veces.
 - ✓ Parpadean **3** y **START**.
2. Presionar **Start/Enter**.
 - ✓ Cuando termina el programa, suenan cuatro pitidos.
 - ✓ El aparato se apaga y se muestra la hora.

Notas

- Dejar que el aparato se enfríe durante al menos 5 minutos antes de volver a utilizarlo.
- Preparar solo una bolsa de palomitas aptas para microondas cada vez.

10.3 Mantener caliente

Es posible conservar calientes los alimentos cocinados en el microondas hasta 60 minutos.

- Usar el modo «Mantener caliente» para mantener calientes las comidas cocinadas y listas para servir.
- La comida que se ha cocinado tapada debe mantenerse tapada durante el modo «Mantener caliente».
- Los alimentos preparados con hojaldre, como tartas y pasteles, no deben taparse.
- Las comidas completas que se mantienen calientes en un plato para comer pueden taparse durante el modo «Mantener caliente».

10.4 Más modos

La tecla táctil **More Modes** brinda acceso a más programas prácticos.

Número de modo	Denominación	Introducir
1	Derretir mantequilla	<ul style="list-style-type: none"> ■ 1 = 2 cucharadas ■ 2 = ¼ taza ■ 3 = ½ taza
2	Derretir chocolate	<ul style="list-style-type: none"> ■ 1 = 1 taza ■ 2 = 2 tazas
3	Ablandar helado	<ul style="list-style-type: none"> ■ 1 = 4 oz. ■ 2 = 8 oz. ■ 3 = 16 oz. ■ 4 = 32 oz. ■ 5 = 48 oz.
4	Ablandar queso crema	<ul style="list-style-type: none"> ■ 1 = 3 oz. ■ 2 = 6 oz. ■ 3 = 8 oz.
5	Tiempo de descongelación	Introducir el tiempo de congelación

Ajuste de otros modos

1. Presionar **More Modes** una vez.
 - ✓ Parpadean **1** y **START**.
2. Presionar **More Modes** varias veces hasta que aparezca en el panel indicador el número del programa deseado.


Véase la etiqueta con los menús de la parte inferior de la cavidad del aparato o la tabla de programas de este manual.
3. Presionar **Start/Enter**

Ajuste del modo para mantener calientes los alimentos

⚠ PRECAUCIÓN

RESPETAR LAS SIGUIENTES INSTRUCCIONES AL UTILIZAR EL MODO PARA MANTENER CALIENTES LOS ALIMENTOS:

- ▶ No utilizar el modo para mantener calientes los alimentos para calentar comida fría.
- ▶ Asegurarse de mantener la comida a una temperatura adecuada. El USDA (Departamento de Agricultura de Estados Unidos) recomienda mantener la comida caliente a 60 °C (140 °F) o más.
- ▶ NO calentar la comida durante más de una hora.

1. Presionar **Keep Warm**.
 - ✓ Se enciende  en el panel indicador.
 - ✓ Parpadea **00:00**.
2. Introducir el tiempo deseado con el teclado numérico.
3. Presionar **Start/Enter**.
 - ✓ El aparato emite un pitido cuando transcurre el tiempo.
4. Presionar **Clear/Off** para interrumpir el pitido.

- ✓ Para los modos 1 a 4: parpadean **1** y **START**.
 - ✓ Para el modo 5: parpadea **00:00**.
4. Para los modos 1-4: introducir la categoría de peso deseada. Para el modo 5: introducir el tiempo deseado de descongelación con el teclado numérico.
 5. Presionar **Start/Enter**.
 - ✓ Cuando termina el programa, suenan cuatro pitidos.
 - ✓ El aparato se apaga y se muestra la hora.

11 Tablas de cocción

Las tablas pueden usarse como guía. Seguir las instrucciones del envase o la receta.

11.1 Cocción de carne en el microondas

- Colocar la carne preparada sobre una rejilla para asar adecuada para microondas colocada en un refractario igualmente apropiado para microondas.
- Empezar a cocinar la carne con el lado graso hacia abajo.
- En caso necesario, utilizar tiras estrechas de papel de aluminio para aislar los extremos de los huesos o las zonas más finas de la carne.
- Después de la cocción, comprobar la temperatura en diversos lugares para después dejar que la carne repose el tiempo recomendado.
- Las temperaturas indicadas en los cuadros siguientes se refieren al momento de la extracción; las temperaturas suben durante el período de reposo.
- Seguir las recomendaciones de tiempo de reposo. → "Tiempo de reposo", *Página 96*

Carne	Nivel de potencia	Tiempo de cocción	Indicaciones
Roast beef, sin hueso hasta 4 lb.	10 - Alto durante los primeros 5 minutos A continuación, 5 - medio	Para 160 °F (71 °C) - punto medio: ■ 12-17 min./lb. Para 170 °F (76 °C) - bien cocida: ■ 14-19 min./lb.	<ul style="list-style-type: none"> ■ Colocar el roast beef con el lado graso hacia abajo en una rejilla para asar. ■ Cubrir con papel encerado. ■ Dar la vuelta a la mitad del tiempo de cocción. ■ Dejar reposar durante 10-15 minutos. ¹
Cerdo asado, con o sin hueso hasta 4 lb.	10 - Alto durante los primeros 5 minutos A continuación, 5 - medio	Para 170 °F (76 °C) - bien cocida: ■ 14-19 min./lb.	<ul style="list-style-type: none"> ■ Colocar el cerdo asado con el lado graso hacia abajo en una rejilla para asar. ■ Cubrir con papel encerado. ■ Dar la vuelta a la mitad del tiempo de cocción. ■ Dejar reposar durante 10-15 minutos. ¹

¹ Cabe esperar una subida de temperatura de 10 °F (6 °C) durante el período de reposo.

11.2 Cocción de aves en el microondas

- Colocar el ave sobre una rejilla para asar adecuada para microondas colocada en un refractario igualmente apropiado para microondas.
- Cubrir el ave con papel encerado para evitar las salpicaduras.
- Utilizar tiras estrechas de papel de aluminio para aislar los extremos de los huesos, las zonas más finas de la carne o las que empiecen a cocinarse en exceso.
- Después de la cocción, comprobar la temperatura en diversos lugares para después dejar que la carne repose el tiempo recomendado.
- Seguir las recomendaciones de tiempo de reposo. → "Tiempo de reposo", *Página 96*

Carne	Nivel de potencia	Tiempo de cocción	Temperatura	Indicaciones
Pollo entero hasta 4 lb.	7 - medio-alto	7-10 min./lb.	<ul style="list-style-type: none"> ■ 170 °F (76 °C) para carnes oscuras ■ 160 °F (71 °C) para carnes claras 	<ul style="list-style-type: none"> ■ Colocar el pollo con la pechuga hacia abajo en una rejilla para asar. ■ Cubrir con papel encerado. ■ Dar la vuelta a la mitad del tiempo de cocción. ■ Cocinar hasta que los jugos salgan transparentes y la carne no esté rosada cerca del hueso. ■ Dejar reposar durante 10-15 minutos.

Carne	Nivel de potencia	Tiempo de cocción	Temperatura	Indicaciones
Trozos de pollo hasta 4 lb.	7 - medio-alto	7-10 min./lb.	<ul style="list-style-type: none"> ■ 170 °F (76 °C) para carnes oscuras ■ 160 °F (71 °C) para carnes claras 	<ul style="list-style-type: none"> ■ Colocar el pollo en el plato con el hueso hacia abajo, con las partes más gruesas hacia el interior. ■ Cubrir con papel encerado. ■ Dar la vuelta a la mitad del tiempo de cocción. ■ Cocinar hasta que los jugos salgan transparentes y la carne no esté rosada cerca del hueso. ■ Dejar reposar durante 10-15 minutos.

11.3 Tiempo de reposo

Seguir estas indicaciones de tiempo de reposo para cocinar con seguridad.

Carne	Punto de cocción	Retirar del aparato	Tras 10-15 min de reposo.
		Temperatura in °F (°C)	Temperatura in °F (°C)
Carne de res	Medio	150 (65)	160 (71)
	Bien cocida	160 (71)	170 (77)
Cerdo	Medio	150 (65)	160 (71)
	Bien cocida	160 (71)	170 (77)
Aves	Carnes oscuras	170 (77)	180 (82)
	Carnes claras	160 (71)	170 (77)

11.4 Cocción de huevos en el microondas

- No cocinar nunca los huevos en su cáscara, ni tampoco calentar huevos cocidos sin pelar, ya que pueden explotar.
- Para que los huevos enteros no exploten, perforar la yema.
- Cocinar los huevos hasta que tomen consistencia; si se cocinan demasiado tiempo, se pondrán duros.
- Es seguro cocinar huevos revueltos.

11.5 Cocción de verduras y hortalizas en el microondas

- Lavar las verduras justo antes de cocinarlas. No suele necesitarse agua adicional. Añadir ¼ taza de agua al cocinar hortalizas densas, como papas o zanahorias.
- Las verduras y otros productos vegetales de pequeño tamaño (p. ej. zanahorias en rodajas, chícharos, frijol blanco, etc.) se cocinan antes que los de mayor tamaño.

- Disponer en círculo las hortalizas de mayor tamaño (p. ej. papas, calabazas o elotes) en el plato giratorio. Para una cocción aún más homogénea, darles la vuelta transcurrida la mitad del tiempo de cocción.
- Colocar siempre hortalizas como espárragos o brócoli con los tallos orientados hacia los bordes del plato y las puntas hacia el centro.
- Al cocinar verduras y hortalizas cortadas, es preciso cubrir siempre el plato con una tapa o con envoltura perforada de plástico adecuado para microondas.
- Para evitar que estallen, perforar varias veces la piel de las hortalizas enteras sin pelar, como las papas, los camotes, las calabazas, las berenjenas, etc.
- Para una cocción aún más homogénea, remover o reacomodar las hortalizas enteras transcurrida la mitad del tiempo de cocción.
- Cuanto más densos sean los alimentos, mayor es el tiempo de reposo necesario; por ejemplo, un plato de chícharos se puede servir inmediatamente, mientras que una papa asada debe reposar 5 minutos antes de su consumo.

11.6 Cocción de pescados y mariscos en el microondas

- Colocar el pescado sobre una rejilla para asar adecuada para microondas colocada en un refractario igualmente apropiado para microondas.
- El pescado debe cocerse siempre hasta que se pueda desmenuzar fácilmente con un tenedor.
- Utilizar una cubierta apretada para cocer pescado al vapor; una cubierta ligera de papel encerado o una toalla de papel permiten una menor acumulación de vapor.
- Es preciso asegurarse de no cocinar el pescado en exceso; conviene comprobar el punto de cocción una vez transcurrido el tiempo de cocción mínimo antes de continuar con la cocción.

Marisco	Nivel de potencia	Tiempo de cocción	Indicaciones
Filetes de pescado hasta 1½ lb.	7 - medio-alto	7-11 min./lb.	<ul style="list-style-type: none"> ■ Colocar el pescado en una rejilla para asar con las porciones más carnosas orientadas hacia el exterior de la misma. ■ Cubrir con papel encerado. ■ Dar la vuelta y reacomodar transcurrida la mitad del tiempo de cocción. ■ Cocer el pescado hasta que se desmenuce fácilmente con un tenedor. ■ Dejar reposar durante 3-5 minutos.
Filetes de pescado hasta 1½ lb.	7 - medio-alto	7-11 min./lb.	<ul style="list-style-type: none"> ■ Disponer los filetes en una bandeja para hornear y meter las partes más delgadas por debajo. ■ Cubrir con papel encerado. ■ Si los filetes presentan un grosor superior a ½", es preciso darles la vuelta y reacomodarlos una vez que transcurra la mitad del tiempo de cocción. ■ Cocer el pescado hasta que se desmenuce fácilmente con un tenedor. ■ Dejar reposar durante 2-3 minutos.
Camarones hasta 1½ lb.	7 - medio-alto	7-11 min./lb.	<ul style="list-style-type: none"> ■ Colocar los camarones en un refractario para hornear sin que se solapen ni se monten unos sobre otros. ■ Cubrir con papel encerado. ■ Cocinar hasta que tengan un aspecto firme y opaco. Darles la vuelta 2 o 3 veces durante la cocción. ■ Dejar reposar durante 5 minutos.

12 Limpieza y cuidados

Para que el aparato mantenga durante mucho tiempo su capacidad funcional, debe mantenerse y limpiarse con cuidado.

12.1 Productos de limpieza

Usar solo limpiadores adecuados para evitar daños en las superficies del aparato.

Nombres comerciales

- El uso de nombres comerciales solo busca indicar el tipo de producto de limpieza. No respalda ninguna marca concreta.
- La omisión de los nombres comerciales de otros productos no implica que no sean adecuados.
- Muchos productos son de distribución regional y pueden encontrarse en mercados locales.
- Es imperativo que todos los productos de limpieza se utilicen estrictamente de acuerdo con las instrucciones indicadas en sus envases.

Evitar estos limpiadores

No utilizar limpiadores de horno comerciales como Easy Off®¹. Pueden dañar el acabado o partes del aparato. El cloro o los compuestos de cloro en ciertos limpiadores son

corrosivos para el acero inoxidable. Comprobar los ingredientes de la etiqueta. No utilizar limpiadores abrasivos ni estropajos de fibra metálica.

ADVERTENCIA

Asegurarse de que todo el aparato se haya enfriado y la grasa se haya solidificado antes de intentar limpiar cualquier parte del aparato.

ADVERTENCIA

Para evitar el riesgo de descarga eléctrica, NO utilice limpiadores por chorro de vapor ni de alta presión para limpiar el aparato. La penetración de humedad puede causar una descarga eléctrica.

¹ Estas marcas son marcas comerciales registradas de sus respectivos propietarios. Todas las demás marcas son marcas comerciales de BSH Home Appliances Corporation o sus sociedades afiliadas.

Recomendaciones de limpieza

Limpia solo las piezas del aparato mencionadas en la lista de limpieza.

- Es preciso proceder con especial cuidado para mantener el panel interior y el frente de la puerta del aparato sin restos de comida o grasa.
- No utilizar en ningún caso limpiadores abrasivos ni estropajos de fibra metálica.
- Limpiar de inmediato las salpicaduras con una toalla de papel húmeda, especialmente después de preparar alimentos ricos en grasa como pollo o tocino.
- Se recomienda limpiar el aparato semanalmente, o con mayor frecuencia si es preciso.
- No utilizar nunca el aparato sin que haya alimentos en la cavidad del aparato, de lo contrario, podrían dañarse el tubo del magnetrón o la bandeja de vidrio.
- Se puede dejar una taza con agua en el interior del aparato cuando este no se esté utilizando a fin de evitar daños en caso de que el aparato se encienda accidentalmente.

Pieza	Método apropiado de limpieza	Recomendaciones
Cavidad del aparato	<ul style="list-style-type: none"> ■ Limpiar inmediatamente los derrames. ■ Utilizar un trapo húmedo y limpio y un detergente suave para limpiar. ■ Para ablandar restos de alimentos o líquidos incrustados: <ul style="list-style-type: none"> – Calentar 2 tazas de agua en un recipiente adecuado para microondas con capacidad para 4 tazas al nivel de potencia 10 durante 5 minutos o hasta que el agua hierva. – Se puede añadir el jugo de 1 limón para mantener un aroma fresco en el aparato. – Aplicar en la cavidad del aparato y dejar que actúe durante 1 o 2 minutos. 	<ul style="list-style-type: none"> ■ Mantener limpia la cavidad del aparato. Los restos de alimentos y los líquidos vertidos pueden adherirse a las paredes de la cavidad del aparato y perjudicar su eficacia. ■ NO utilizar detergentes agresivos o limpiadores abrasivos. ■ Retirar el plato giratorio de vidrio del aparato cuando se desee limpiar la cavidad del aparato.
Rejilla	<ul style="list-style-type: none"> ■ Lavar con agua jabonosa. ■ Enjuagar minuciosamente y secar, o bien frotar cuidadosamente como se indica con polvo limpiador o esponjas rellenas de jabón. 	
Plato giratorio de vidrio	<ul style="list-style-type: none"> ■ Limpiar con agua jabonosa tibia o en el lavavajillas. 	<ul style="list-style-type: none"> ■ Dejar que se enfríe el plato giratorio antes de tocarlo. ■ Retirar el plato giratorio de vidrio de la cavidad del aparato para su limpieza. ■ NO colocar el plato giratorio de vidrio en agua inmediatamente después de cocinar, ya que podría romperse.
Soporte de rodillos del plato giratorio	<ul style="list-style-type: none"> ■ Limpiar con agua jabonosa tibia. Enjuagar abundantemente y secar. 	
Cristal de la puerta	<ul style="list-style-type: none"> ■ Lavar con agua jabonosa o limpiavidrios, o aplicar un limpiador multiusos en una esponja limpia o toalla de papel para luego limpiar la superficie. ■ Si se acumula vapor en la parte interior o exterior de la puerta del aparato, eliminarlo con un trapo suave. Puede acumularse vapor si se utiliza el aparato con una humedad elevada. Esto no es indicativo de fugas en el microondas. 	<ul style="list-style-type: none"> ■ No utilizar productos de limpieza abrasivos, como productos de limpieza en polvo, estropajos de fibra de acero y limpiadores de horno.
Superficies pintadas	<ul style="list-style-type: none"> ■ Limpiar con agua caliente jabonosa o aplicar un limpiador multiusos en una esponja limpia o en papel de cocina para luego limpiar la superficie. 	<ul style="list-style-type: none"> ■ No utilizar productos de limpieza abrasivos, como productos de limpieza en polvo, estropajos de fibra de acero y limpiadores de horno.

Pieza	Método apropiado de limpieza	Recomendaciones
Superficies de acero inoxidable	<ul style="list-style-type: none"> Limpiar con una esponja jabonosa y después enjuagar y secar o limpiar con Fantastik® atomizado sobre una toalla de papel. Proteger y pulir con Stainless Steel Magic® y un trapo suave. Eliminar las manchas de agua con un trapo humedecido con vinagre blanco. 	<ul style="list-style-type: none"> Limpiar o frotar siempre en la dirección de las líneas de pulido. NO utilizar limpiadores con cloro, ya que podrían oxidar el acero.
Plástico y controles	<ul style="list-style-type: none"> Cuando estén fríos, limpiar con agua jabonosa, enjuagar y secar. 	
Áreas impresas (palabras y números)	<ul style="list-style-type: none"> Limpiar con agua jabonosa, enjuagar y secar. 	<ul style="list-style-type: none"> NO usar limpiadores abrasivos o solventes a base de petróleo.

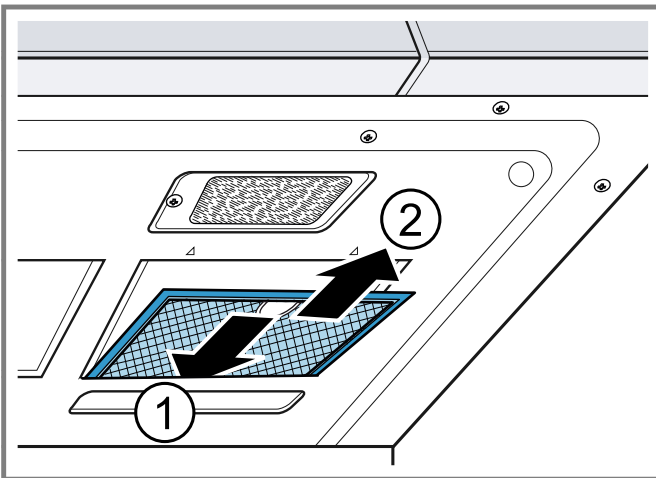
12.2 Limpieza de los filtros de ventilación

Los filtros de ventilación deben extraerse y limpiarse frecuentemente, por lo general, una vez al mes.

⚠ PRECAUCIÓN

Para evitar el riesgo de lesiones personales o daños materiales, no utilizar la función de ventilación sin que estén los filtros colocados en su sitio.

- Deslizar los filtros de ventilación hacia la parte trasera para retirarlos. A continuación, jalar el filtro hacia abajo y empujarlo hacia el lado opuesto. El filtro se desprenderá. Proceder de igual manera con el segundo filtro.



- Remojar los filtros de ventilación en agua caliente con un detergente suave. Enjuagarlos bien y sacudirlos para que se sequen.

Nota: No lavar en el lavavajillas ni utilizar amoníaco; el aluminio del filtro podría corroerse y oscurecerse.

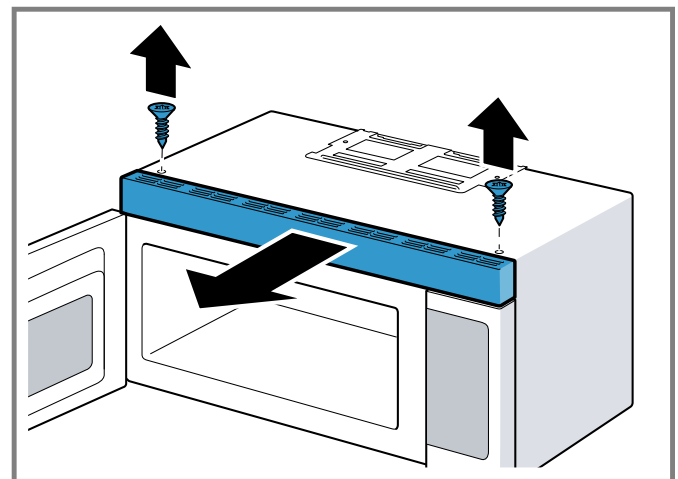
- Para reinstalar los filtros de ventilación del aparato, deslizar cada uno de ellos en la ranura lateral, empujarlos hacia arriba y hacia el aparato para trabarlos. Proceder de igual manera con los dos filtros.

12.3 Cambiar el filtro antiolores

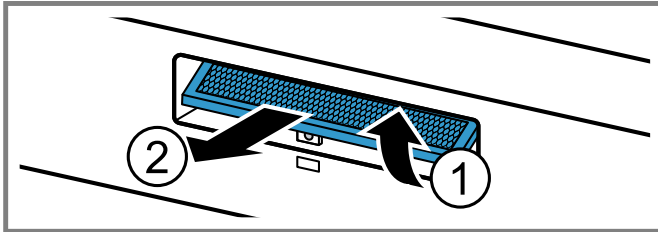
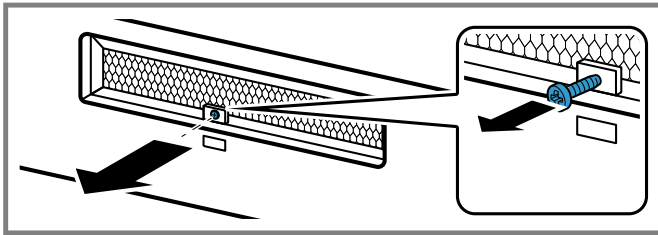
El filtro antiolores incluido con el aparato se usa para las instalaciones no ventiladas, con recirculación de aire (es decir, ventilación local). El filtro debe cambiarse con una periodicidad de entre 6 y 12 meses, en función del uso que se le dé.

Nota: Si no está instalado el filtro antiolores, no es posible atrapar las sustancias olorosas presentes en los vapores de cocción. Los filtros antiolores de repuesto están disponibles para su adquisición en la [Bosch tienda en línea www.bosch-home.com/us/shop](http://www.bosch-home.com/us/shop), con el número de artículo **00755547**.

- Desconectar el suministro de potencia al aparato en el panel del breaker, o desenchufar el aparato.
- Extraer los tornillos de montaje de la rejilla de ventilación.
- Extraer la rejilla de ventilación del aparato.



4. Retirar el tornillo de la parte delantera del filtro antiolores. Empujar hacia arriba el filtro antiolores inclinándolo ligeramente hacia atrás, y posteriormente levantarlo.



5. Colocar un filtro antiolores nuevo.
6. Tocar con cuidado la rejilla de ventilación para volver a colocarla en su sitio y sustituir los tornillos retirados anteriormente.

13 Solución de problemas

Usted mismo puede solucionar los errores menores de su aparato. Lea la información acerca de cómo solucionar los errores antes de contactar con Atención al Cliente. Así podrá evitar visitas de reparación innecesarias.

ADVERTENCIA

Es peligroso realizar reparaciones de forma inadecuada.

- ▶ Solo los proveedores de servicio técnico autorizados deben realizar las reparaciones.

- ▶ Si el cable de conexión de red o el cable de conexión de este aparato resulta dañado, debe ser sustituido por un cable especial de conexión de red o por un cable especial de conexión para este aparato que puede obtenerse a través del fabricante o de su servicio de atención al cliente.
- ▶ Solo se pueden utilizar repuestos originales para reparar el aparato.
- ▶ Si el aparato presenta un problema, llame a Atención al Cliente.

Falla	Causas y resolución de problemas
No funcionan ni el aparato ni el panel indicador.	<p>No hay suministro eléctrico al aparato</p> <ul style="list-style-type: none"> ▶ Asegurarse de que el cable de alimentación de la unidad esté completamente enchufado en la toma de potencia y de que no se haya disparado el breaker del circuito. ▶ Restablecer el disyuntor doméstico o sustituir los disyuntores o los fusibles fundidos. ▶ Extraer el enchufe de la toma, esperar 10 segundos y volver a enchufar el aparato. ▶ Enchufar un aparato distinto en la toma de corriente. Si el otro aparato no funciona, se deberá convenir la reparación de la toma por parte de un electricista calificado. ▶ Enchufar el aparato a una toma de corriente distinta.
El panel indicador funciona, pero el aparato no lo hace	<p>La puerta del aparato no está completamente cerrada.</p> <ol style="list-style-type: none"> 1. Comprobar si está obstruida la puerta del aparato. 2. Comprobar si la bisagra está torcida. <hr/> <p>La junta de la puerta está sucia</p> <ul style="list-style-type: none"> ▶ Comprobar si hay materiales del embalaje o de cualquier otro tipo pegados a la junta de la puerta. <hr/> <p>La puerta del aparato está dañada</p> <ul style="list-style-type: none"> ▶ Comprobar posibles daños en la puerta del aparato. No poner en funcionamiento el aparato si la puerta presenta daños. <hr/> <p>Los ajustes se han introducido de forma incorrecta</p> <ul style="list-style-type: none"> ▶ Presionar Clear/Off dos veces y volver a introducir los ajustes deseados.
La corriente se interrumpe antes de que haya transcurrido el tiempo de cocción	<p>Los ajustes de tiempo no son correctos</p> <ul style="list-style-type: none"> ▶ Presionar Clear/Off dos veces y volver a introducir los ajustes deseados. ▶ Restablecer el reloj y volver a introducir los ajustes deseados. <hr/> <p>No hay suministro eléctrico al aparato</p> <ol style="list-style-type: none"> 1. Comprobar el breaker del circuito o la caja de fusibles doméstica. 2. Comprobar que haya un suministro eléctrico adecuado para el aparato.
Los alimentos se cocinan muy lentamente	<p>Es posible que la tensión que llega al aparato sea demasiado baja.</p> <ol style="list-style-type: none"> 1. Asegurarse de que el aparato se encuentre en una línea de circuito separada de 20 A. El uso de otro aparato en el mismo circuito podría provocar una caída de tensión. 2. En caso necesario, conectar el aparato a su propio circuito.
Chispas o arco eléctrico en la cavidad del aparato	<p>Hay objetos metálicos en la cavidad del aparato</p> <ol style="list-style-type: none"> 1. Retirar de la cavidad del aparato cualquier cubierto, recipiente de cocina o atadura de metal. 2. Si se usa papel aluminio, utilizar solo tiras delgadas y dejar un espacio de al menos 2.5 cm (una pulgada) entre dicho papel y las paredes interiores de la cavidad del aparato.

Falla	Causas y resolución de problemas
El plato giratorio hace ruidos o se queda atascado	<p>Hay restos de suciedad en la parte inferior del plato giratorio de bandeja metálica o en el aro de rodillos</p> <ul style="list-style-type: none"> ▶ Limpiar el plato giratorio, el aro de rodillos y la base de la cavidad del aparato. <p>El plato giratorio y el aro de rodillos no están correctamente asentados</p> <ul style="list-style-type: none"> ▶ Comprobar que el plato giratorio y el aro de rodillos están correctamente colocados.
El uso del microondas puede causar interferencias con la televisión o la radio	<p>Otros aparatos de pequeño tamaño, como los secadores, pueden causar ligeras interferencias</p> <ul style="list-style-type: none"> ▶ Alejar el microondas de otros aparatos, como la televisión o la radio.
La iluminación LED no funciona	<p>Las luces LED están defectuosas.</p> <ul style="list-style-type: none"> ▶ Ponerse en contacto con el → "Servicio de atención al cliente", <i>Página 102.</i>

14 Eliminación

14.1 Eliminación de los aparatos usados

Mediante una eliminación respetuosa con el medio ambiente se pueden reutilizar materias primas valiosas.

1. Desenchufar el cable de conexión a la red de la toma de corriente.
2. Separar el cable de conexión a la red.
3. Desechar el aparato de manera respetuosa con el medio ambiente.

Su distribuidor o el ayuntamiento local puede proporcionarle información sobre las vías y posibilidades actuales de desecho de materiales.

15 Servicio de atención al cliente

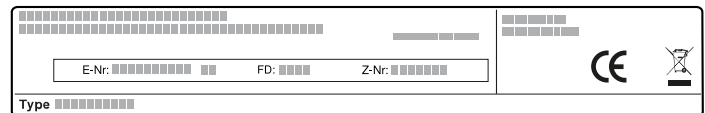
En cada reparación cubierta por la garantía, nos aseguramos de que su aparato sea reparado con repuestos originales por un proveedor de servicio capacitado y autorizado. Solo utilizamos repuestos originales para todos los tipos de reparaciones. Las informaciones detalladas sobre el periodo de validez de la garantía y las condiciones de garantía las podrá encontrar en nuestras condiciones de garantía, con su distribuido o en nuestra página web. Cuando se ponga en contacto con el servicio de atención al cliente, no olvide indicar el número de modelo (E-Nr.) y el número de fabricación (FD) de su aparato. Las fuentes de luz se encuentran disponibles como repuesto y su sustitución solo la puede llevar a cabo personal cualificado.

USA:
1-800-944-2904
www.bosch-home.com/us/owner-support/get-support
www.bosch-home.com/us/shop

CA:
1-800-944-2904
www.bosch-home.ca/en/service/get-support
www.bosch-home.ca/en/service/cleaners-and-accessories

15.1 Número de modelo (E-Nr.) y número de fabricación (FD)

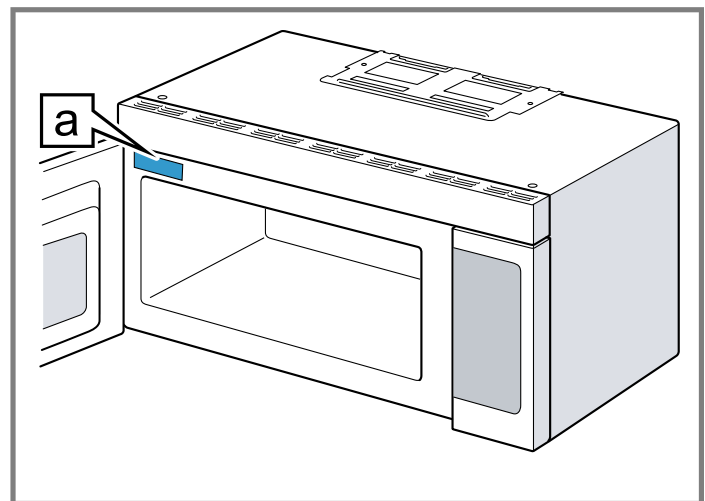
El número de modelo (E-Nr.) y el número de fabricación (FD) se encuentran en la placa de características del aparato.



Para volver a encontrar rápidamente los datos del aparato o el número de teléfono del servicio de atención al cliente, puede anotar dichos datos.

15.2 Ubicación de la placa de características del aparato

La placa de características del aparato se encuentra a la izquierda de la moldura de la puerta.



a Placa de características

16 DECLARACIÓN DE GARANTÍA LIMITADA DEL PRODUCTO

16.1 Qué cubre esta garantía y a quiénes se aplica

La garantía limitada otorgada por BSH Home Appliances («Bosch») en esta Declaración de Garantía Limitada del Producto se aplica únicamente al aparato Bosch vendido a usted («Producto»), el primer comprador usuario, condicionada estrictamente a que el Producto haya sido comprado:

- Para uso doméstico normal (no comercial) y haya sido utilizado en todo momento únicamente para fines domésticos normales.
- Nuevo en una tienda minorista autorizada de BSH o directamente de BSH (que no sea un producto de exhibición ni un producto vendido «en las condiciones en que se encuentre» ni un modelo devuelto anteriormente) y que no esté destinado a reventa ni uso comercial.
- Dentro de los Estados Unidos o Canadá, y que haya permanecido en todo momento dentro del país de compra original.

La garantía descrita aquí es válida para el comprador original del producto cubierto por esta garantía y para todo usuario posterior del producto, adquirido para un uso doméstico, durante el término de la garantía.

Asegurarse de registrar su producto; si bien no es necesario para hacer efectiva la cobertura de la garantía, es la mejor manera de que Bosch pueda enviar una notificación en el caso poco probable de que se emita un aviso de seguridad o se retire del mercado un producto.

16.2 Plazo de vigencia de la garantía

Bosch garantiza que el producto no tiene defectos de materiales ni de mano de obra durante un período de trescientos sesenta y cinco (365) días a partir de la fecha de entrega original. Dicho período comienza a contar a partir de la fecha de entrega original y no se interrumpirá, dejará sin efecto, extenderá ni suspenderá por ningún motivo. También se garantiza que este Producto no presenta defectos **estéticos** en el material ni en la mano de obra (como rayas en el acero inoxidable, imperfecciones en la pintura/porcelana, desportilladuras, astillas, abolladuras ni ningún otro daño en el acabado) del Producto durante un período de treinta (30) días desde la fecha de entrega o fecha de cierre para una nueva construcción. Se excluyen de esta garantía por defectos **estéticos** las variaciones leves de color que se deban a diferencias inherentes a las piezas pintadas y de porcelana, así como diferencias provocadas por la iluminación de la cocina, la ubicación del producto u otros factores similares. Se excluye específicamente de esta

garantía por defectos **estéticos** cualquier electrodoméstico en exposición, de piso, vendido “en el estado en que se encuentra” o de segunda selección.

16.3 Reparación/Reemplazo como único recurso

Durante el período de esta garantía, Bosch o uno de sus proveedores de servicio técnico autorizados reparará el producto sin cargo (sujeto a determinadas limitaciones especificadas en el presente) si se prueba que el producto ha sido fabricado con un defecto en los materiales o en la mano de obra. Si se ha intentado de manera razonable reparar el Producto sin éxito, Bosch reemplazará el Producto (es posible llegar a disponer de modelos mejorados, a entera discreción de Bosch, por un cargo adicional). Esta garantía no establece que las piezas dañadas o defectuosas se reemplacen por piezas de diferente tipo o diseño a las originales. Todas las partes y los componentes retirados serán propiedad de Bosch, a su entera discreción. Todas las partes reemplazadas y/o reparadas se considerarán como la parte original a los fines de esta garantía y esta garantía no se extenderá con respecto a dichas partes. En virtud del presente documento, la exclusiva responsabilidad y obligación de Bosch es únicamente reparar el Producto defectuoso de fábrica, a través de un proveedor de servicio técnico autorizado por Bosch, durante el horario normal de oficina. Por cuestiones de seguridad y daños materiales, Bosch recomienda categóricamente no intentar reparar el Producto por cuenta propia ni usar un proveedor de servicio técnico no autorizado; Bosch no tendrá ninguna responsabilidad ni obligación por daños ocasionados por reparaciones o trabajos realizados por un proveedor de servicio técnico no autorizado. Los proveedores de servicio técnico autorizados son aquellas personas o compañías que han sido especialmente capacitadas para manejar los productos de Bosch y que tienen, según el criterio de Bosch, una reputación superior de servicio de atención al cliente y capacidad técnica (tenga en cuenta que son entidades independientes y no son agentes, socias, afiliadas ni representantes de Bosch). Sin embargo, llevar su producto a un taller de reparación que no esté afiliado o a un distribuidor autorizado de Bosch no anulará esta garantía. Además, el uso de piezas de terceros no anulará esta garantía. Independientemente de lo antedicho, Bosch no tendrá responsabilidad ni obligación alguna por el Producto que se encuentre en un área remota (a más de 100 millas de un proveedor de servicio técnico autorizado) o en un lugar, área circundante o entorno que no sean accesibles por medios razonables o que sean peligrosos, hostiles o arriesgados; en ese caso, a su solicitud, Bosch de todas maneras pagará por la mano de obra y las partes, y enviará las partes al proveedor de servicio técnico autorizado más cercano, pero el cliente seguirá siendo totalmente responsable por el tiempo de viaje y demás cargos especiales de la compañía de servicio técnico, siempre que esta acepte realizar la visita de servicio técnico. Además, en la medida en que haya instalado el producto

en una ubicación de difícil acceso o haya instalado accesorios temporales o permanentes que creen barreras para acceder o retirar el producto, Bosch no incurrirá en ninguna responsabilidad por el trabajo o los costos asociados con el traslado del producto o la creación de acceso al producto para repararlo o reemplazarlo. Todos estos costos serán responsabilidad exclusiva de usted.

16.4 Producto fuera de garantía

Bosch no tiene obligación alguna, en virtud de la ley ni por otro motivo, de otorgarle ninguna concesión, incluidos reparaciones, prorrates o reemplazo del Producto, con posterioridad al vencimiento de la garantía.

16.5 Exclusiones de la garantía

La cobertura de garantía descrita en el presente documento excluye todos los defectos o daños que no fueron provocados directamente por Bosch, incluidos, entre otros, alguno de los siguientes:

- Uso del Producto de maneras distintas del uso normal, habitual y previsto (incluidos, entre otros, cualquier forma de uso comercial, uso o almacenamiento en exteriores de un producto diseñado para interiores, uso del Producto en aeronaves o embarcaciones).
- Conducta indebida, negligencia, uso indebido, abuso, accidentes, descuido, operación inadecuada, omisión de mantenimiento, instalación inadecuada o negligente, adulteración, omisión de seguir las instrucciones de operación, manipulación inadecuada, servicio técnico no autorizado (incluidos «arreglos» o exploración de los mecanismos internos del aparato realizados por uno mismo) por parte de cualquier persona.
- Ajuste, alteración o modificación de cualquier tipo.
- Incumplimiento de los códigos, reglamentaciones o leyes de electricidad, plomería y/o construcción estatales, locales, municipales o de condado, incluida la omisión de instalar el producto cumpliendo estrictamente con los códigos y reglamentaciones locales de construcción y protección contra incendios.
- Desgaste habitual, derrames de alimentos, líquidos, acumulaciones de grasa u otras sustancias que se acumulen sobre el Producto, dentro o alrededor de este.
- Cualquier fuerza y factor externo, elemental y/o ambiental, incluidos, entre otros, lluvia, viento, arena, inundaciones, incendios, aludes de lodo, temperaturas bajas extremas, humedad excesiva o exposición prolongada a la humedad, rayos, sobrecargas eléctricas, fallos estructurales alrededor del aparato y catástrofes naturales.
- Llamadas al servicio técnico para subsanar la instalación del Producto, enseñar al usuario a usar el Producto, reemplazar los fusibles domésticos o subsanar el cableado o las instalaciones de fontanería.
- Extracción y sustitución de recortes o paneles decorativos que interfieran con el mantenimiento del Producto.

- Daños o defectos provocados por la mano de obra o piezas instaladas por cualquier proveedor de servicio técnico no autorizado, a menos que este último haya sido aprobado por Bosch antes de realizar el servicio.

En ningún caso Bosch tendrá responsabilidad ni obligación alguna por los daños ocasionados a los bienes circundantes, incluidos los gabinetes, pisos, techos y demás estructuras u objetos que se encuentren alrededor del Producto. También se excluyen de esta garantía los Productos en los cuales los números de serie hayan sido alterados, modificados o eliminados; las visitas del servicio técnico para enseñarle a usar el Producto o las visitas en las que se determine que no hay ningún problema con el Producto; la corrección de los problemas de instalación (usted es el único responsable de cualquier estructura y soporte del Producto, incluidas todas las instalaciones de electricidad y plomería o demás instalaciones de conexión, de la correcta instalación en bases/pisos, y de cualquier alteración, incluidos, a modo de ejemplo, gabinetes, paredes, pisos, repisas, etc.); y el restablecimiento de breakers o fusibles.

EN LA MEDIDA PERMITIDA POR LA LEY, ESTA GARANTÍA ESTABLECE SUS RECURSOS EXCLUSIVOS CON RESPECTO AL PRODUCTO, INDEPENDIENTEMENTE DE QUE LA RECLAMACIÓN SEA CONTRACTUAL O EXTRA CONTRACTUAL (INCLUIDA LA RESPONSABILIDAD OBJETIVA O LA NEGLIGENCIA), O DE CUALQUIER OTRO TIPO. ESTA GARANTÍA REEMPLAZA TODAS LAS DEMÁS GARANTÍAS EXPRESAS O IMPLÍCITAS. LAS GARANTÍAS IMPLÍCITAS POR LEY, YA SEA DE COMERCIALIZACIÓN O DE APTITUD PARA UN FIN ESPECÍFICO, O DE CUALQUIER OTRO TIPO, TENDRÁN VIGENCIA ÚNICAMENTE POR EL PERÍODO DE VIGENCIA DE LA PRESENTE GARANTÍA LIMITADA EXPRESA. EN NINGÚN CASO SERÁ EL FABRICANTE RESPONSABLE POR LOS DAÑOS CONSECUENTES, ESPECIALES, Y/O DAÑOS PUNITIVOS, PÉRDIDAS O GASTOS, INCLUIDOS, ENTRE OTROS, TIEMPO FUERA DEL TRABAJO, HOTELES O COMIDAS EN RESTAURANTES, GASTOS DE REMODELACIÓN QUE SUPEREN LOS DAÑOS DIRECTOS, QUE DEFINITIVAMENTE HAYAN SIDO PROVOCADOS DE MANERA EXCLUSIVA POR BOSCH O DE OTRA MANERA. ALGUNOS ESTADOS NO PERMITEN LA EXCLUSIÓN O LIMITACIÓN DE DAÑOS INCIDENTALES O CONSECUENTES, Y ALGUNOS ESTADOS NO PERMITEN LIMITACIONES CON RESPECTO AL PLAZO DE VIGENCIA DE UNA GARANTÍA IMPLÍCITA; POR LO TANTO, ES POSIBLE QUE LAS EXCLUSIONES O LIMITACIONES PRECEDENTES NO SE APLIQUEN. ESTA GARANTÍA OTORGA DERECHOS LEGALES ESPECÍFICOS, Y TAMBIÉN PUEDEN CORRESPONDERLE OTROS DERECHOS QUE PUEDEN VARIAR SEGÚN EL ESTADO.

Ningún intento de alterar, modificar o enmendar la presente garantía será válido, a menos que fuera autorizado por escrito por un ejecutivo de BSH.

16.6 Obtener el servicio técnico de la garantía

Para obtener el servicio de garantía para su producto, debe comunicarse con el Servicio de asistencia técnica de Bosch al 1-800-944-2904 para programar una reparación.

16.7 Información del producto

Para una referencia rápida, copiar la información que se encuentra a continuación de la placa de características. Conservar su factura y/o los documentos de entrega para la validación de la garantía.

Número de modelo
(E-Nr.)

Número de
fabricación (FD)

Fecha de entrega



Handwriting practice sheet with horizontal lines.



A series of horizontal lines for writing, starting from the top of the page and extending downwards.



Register your appliance to enjoy customized benefits.

Thank you for being a Bosch customer!
Simply create a MyBosch account, then register your appliance.
You'll find a variety of customized information in MyBosch such as:

- **Discounts for filters, cleaners, accessories & parts**
- **Easy access to manuals & appliance specifications**
- **Easy access to part lists**
- **Customized offer for the Bosch Appliance Service Plan (sent by mail after appliance registration)**

Register here:

www.bosch-home.com/us/owner-support/mybosch

BOSCH
HOME APPLIANCES
SERVICE

Looking for help? You'll find it here.

No matter what, no matter when: Bosch is here to support you.
We're here to assist with usage instructions, cleaning tips,
accessories & parts, troubleshooting, and repairs.
Find online resources such as FAQs, how-to-videos, manuals,
warranties and authorized Bosch servicers at:

www.bosch-home.com/us/owner-support/get-support

Contact us:

Please have your Model Number (E-Nr) ready when contacting us.

1-800-944-2904

www.bosch-home.com/us/owner-support/contact-us

BSH Home Appliances Corporation

1901 Main Street, Suite 600

Irvine, CA 92614

USA

www.bosch-home.com

1-800-944-2904

© 2024 BSH Home Appliances Corporation



9001885982 (040517)

en-us, fr-ca, es-mx