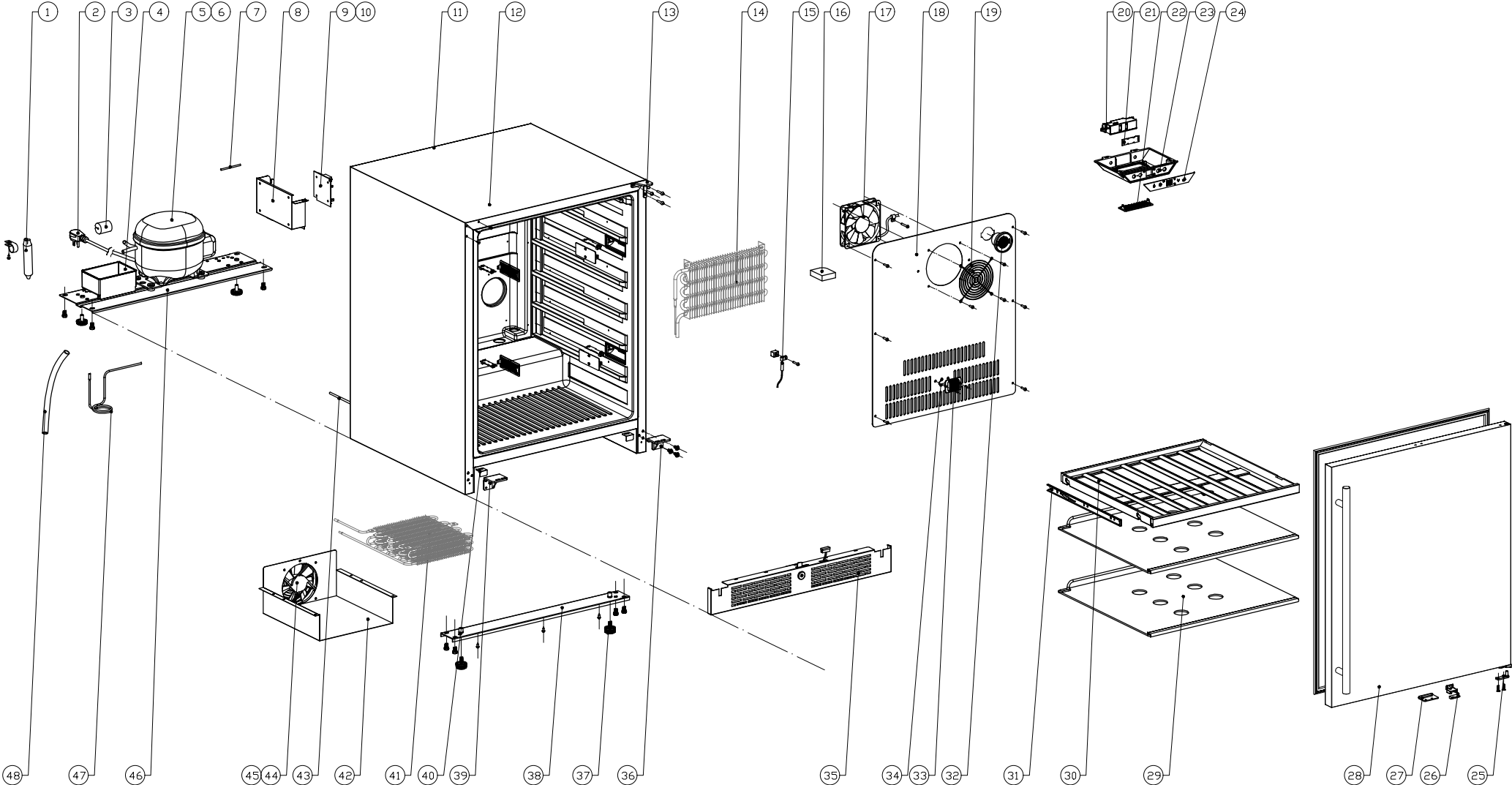


PRB24C01AS-ADA

Presrv™ ADA Beverage Cooler

ZEPHYR



PRB24C01AS-ADA

| Ref # | Part # | Description | Qty. |
|--------------|---------------|--------------------------|-------------|
| 1 | 56300003 | Dryer filter | 1 |
| 2 | 11030118 | Power line | 1 |
| 3 | 56220035 | Anti Vibration Gasket | 1 |
| 4 | 56130035 | Water tank | 1 |
| 5 | 12160006 | Compressor | 1 |
| 6 | 11030119 | Compressor ground lead | 1 |
| 7 | 50330010 | Sealing tube | 1 |
| 8 | 56200105 | Main PCB Box | 1 |
| 9 | 11010140 | Main power control board | 1 |
| 10 | 11010110 | Display control board | 1 |
| 12 | 56210074 | Decorative Hole Cover | 3 |
| 13 | 54180054 | Upper right hinge | 1 |
| 14 | 54240001 | Evaporator | 1 |
| 15 | 11050007 | Sensor | 1 |
| 16 | 56180015 | Evaporator foam | 1 |
| 17 | 12130032 | Fan | 1 |
| 18 | 54170027 | Air duct board | 1 |
| 19 | 54210017 | Fan cover | 1 |
| 20 | 54140283 | Lamp holder | 1 |
| 21 | 12010011 | LED light ,tri color | 5 |
| 22 | 52150014 | Cover,light | 5 |
| 23 | 56200107 | Electrical box | 1 |
| 24 | 52050021 | Display panel | 1 |
| 25 | 54190062 | Door axis plate | 1 |
| 26 | 54220011 | Magnet | 1 |
| 27 | 50180005 | Latch hook | 1 |
| 28 | 50230023 | Door | 1 |
| 28-1 | 50280003 | Handle | 1 |

| | | | |
|------|----------|-------------------------------|---|
| 28-2 | 56220049 | Door gasket | 1 |
| 29 | 50150048 | Glass shelf | 2 |
| 30 | 50150049 | Sliding wooden shelf assembly | 1 |
| 31 | 50320040 | Shelf Slider Set | 1 |
| 32 | Z0F-C004 | Carbon Filter | 1 |
| 33 | 54210014 | Sensor cover | 1 |
| 34 | 11050008 | Sensor | 1 |
| 35 | 50260015 | Kick plate | 1 |
| 35-1 | 11040029 | Door Switch | 1 |
| 35-2 | 50180006 | Door Lock | 1 |
| 36 | 54180055 | Lower right hinge | 1 |
| 37 | 50350008 | Leveling leg | 4 |
| 38 | 54140284 | Cabinet front supporting iron | 1 |
| 39 | 54180056 | Lower left hinge | 1 |
| 40 | 54140289 | Block | 2 |
| 41 | 54270001 | Condenser | 1 |
| 42 | 54210015 | Condenser cover | 1 |
| 43 | 50330033 | Capillary tube | 1 |
| 44 | 54210016 | Fan cover | 1 |
| 45 | 12130032 | Fan | 1 |
| 46 | 54190058 | Compressor support plate | 1 |
| 47 | 50330020 | Connecting pipe | 1 |
| 48 | 50330026 | Exhaust water pipe | 1 |
| 49 | 54140314 | Door stopper, Left | 1 |
| 50 | 54180057 | Upper hinge, left | 1 |
| 51 | 15000019 | Key | 1 |

APR23.0201