

# WA41A3000AW

SAMSUNG

## Samsung 4.1 cu. ft. Capacity Top Load Washer with Soft-Close Lid and 8 Washing Cycles



### Features

- Large 4.1 cu. ft. Capacity
- Soft-Close Lid
- 8 Preset Washing Cycles
- Vibration Reduction Technology+
- Extra High Water Level
- Self Clean
- Diamond Drum Interior
- 5 Temperature Levels
- 700 RPM Maximum Spin Speed
- AC Motor
- 3 Additional Washing Options
- LED Bar Display: Red

### Convenience

- Child Lock
- Dispenser Tray: Bleach

### Ratings

IMEF = 1.57  
IWF = 6.5  
240 kWh/yr

### Electrical Requirements

120 V/60 Hz  
15 Amps

### Available Color



### 8 Preset Washing Cycles:

Normal, Bedding/Waterproof, Heavy Duty, Delicates, Quick Wash, Self Clean, Rinse and Spin, Deep Wash

### 3 Additional Washing Options:

Extra Rinse, Child Lock, Spin Only

### 5 Temperature Levels:

Hot, Warm, Eco Warm, Cool, Cold

### Dispenser Tray:

Bleach

### Warranty

One (1) Year Parts and Labor  
Three (3) Years Stainless Steel Tub (Part Only)  
Five (5) Years Washing Motor Part (Part Only)

### Product Dimensions & Weight (WxHxD)

Dimensions: 27" x 44" x 29<sup>5</sup>/<sub>16</sub>"  
Weight: 127.9 lbs

### Shipping Dimensions & Weight (WxHxD)

Dimensions: 29<sup>9</sup>/<sub>16</sub>" x 46<sup>9</sup>/<sub>16</sub>" x 31"  
Weight: 138.9 lbs

Washer	Model #	UPC Code
White	WA41A3000AW	887276475813
Matching Electric Dryer		
White	DVE41A3000W	887276502007
Matching Gas Dryer		
White	DVG41A3000W	887276502014

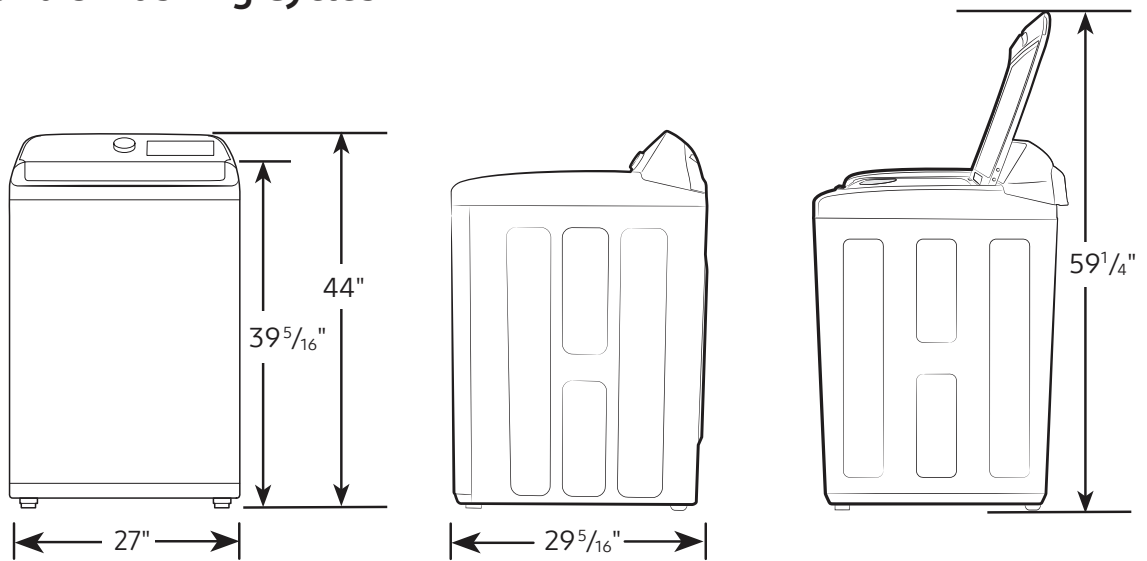
# WA41A3000AW

# SAMSUNG

## Samsung 4.1 cu. ft. Capacity Top Load Washer with Soft-Close Lid and 8 Washing Cycles

### Dimensions

Required dimensions for installation:

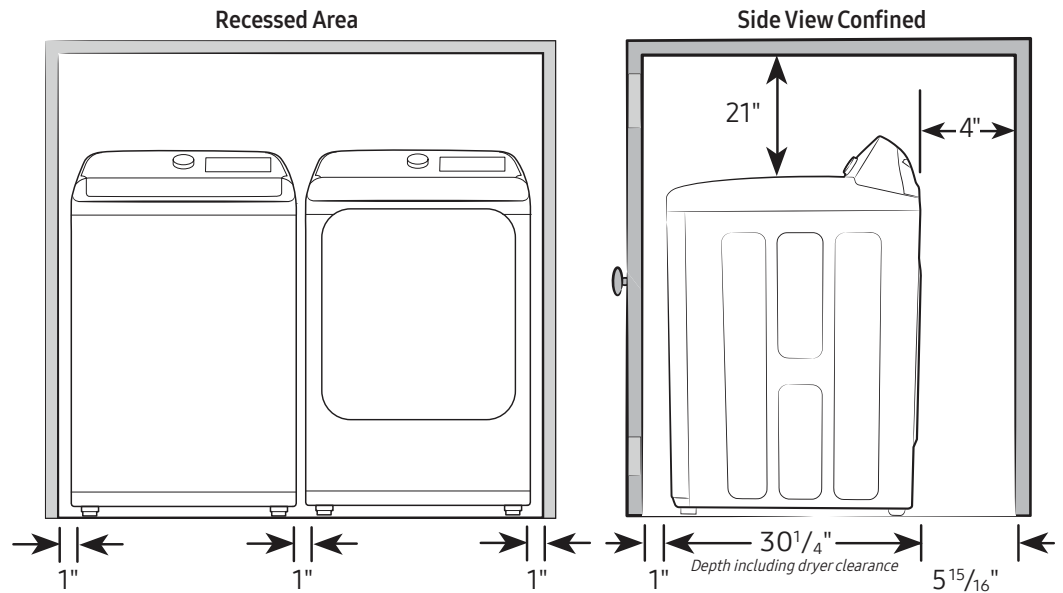


### Installation Specifications – Side-by-Side or Stand-alone

If the washer and dryer are installed together or the dryer alone, the closet front must have two unobstructed air openings for a combined minimum total area of 72-inch<sup>2</sup>. Your washer alone does not require a specific air opening.

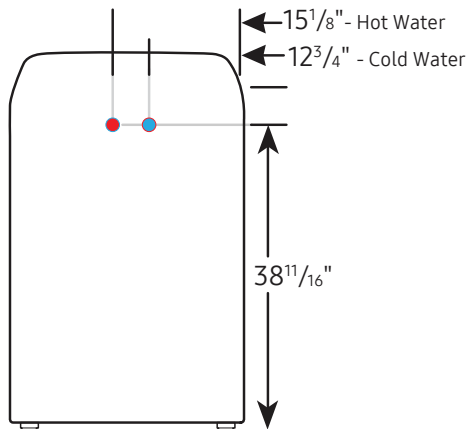
Alcove or closet installation

Minimum clearance for closet and alcove installations:



### Connection Dimensions

Back view of washer



#### LEGEND:

- Hot Water Connection
- Cold Water Connection

Actual color may vary. Design, specifications, and color availability are subject to change without notice. Non-metric weights and measurements are approximate.

©2021 Samsung Electronics America, Inc., 85 Challenger Road, Ridgefield Park, NJ 07660. Tel: 800-SAMSUNG.samsung.com. Samsung is a registered trademark of Samsung Electronics Co., Ltd.