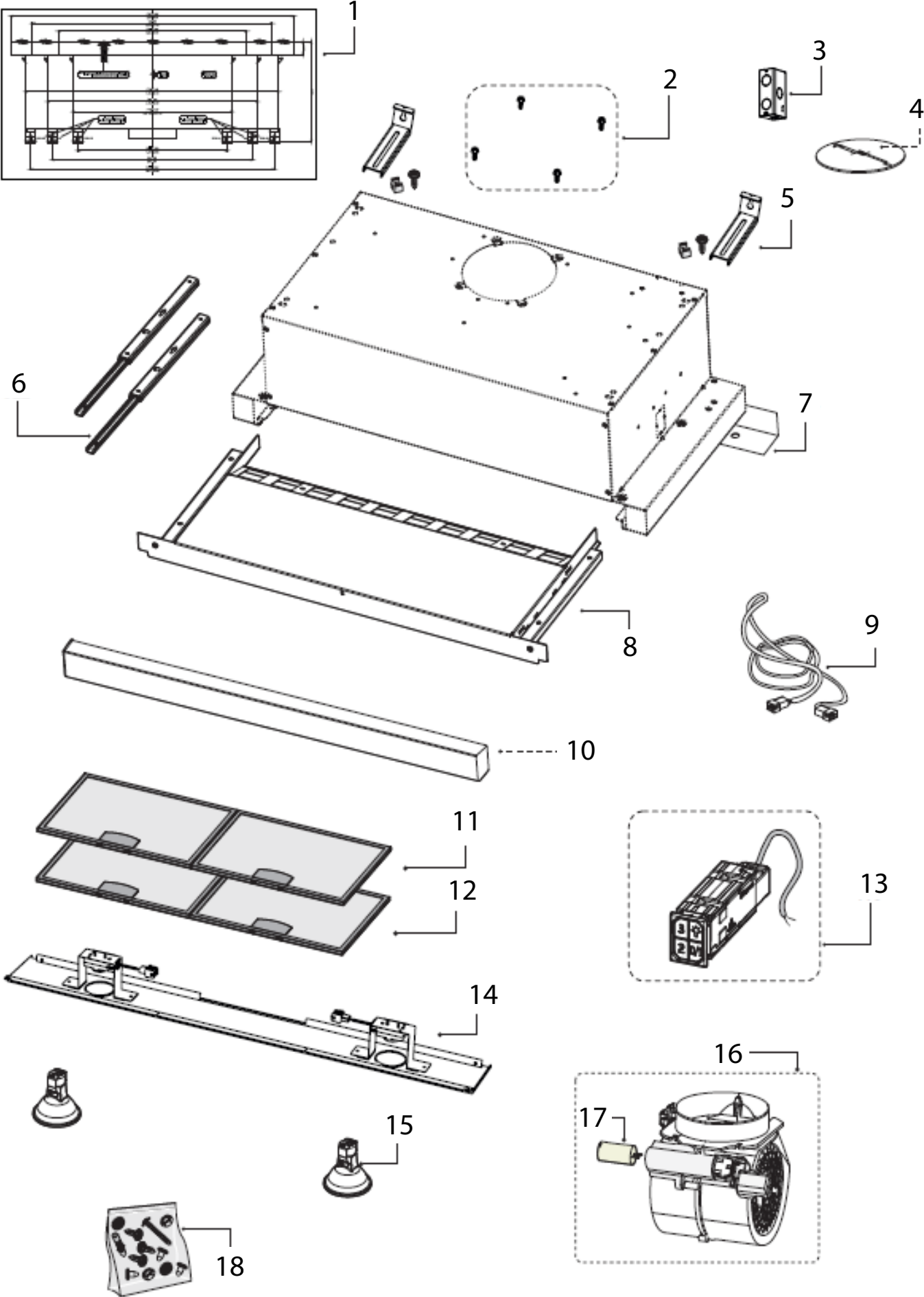


ZVA-E30AS290

ZVA-M90AS290



**ZVA-E30AS290, ZVA-M90AS290**

<b>Ref #</b>	<b>Part #</b>	<b>Description</b>	<b>Qty.</b>
<b>1</b>	81010013	Paper Template	1
<b>2</b>	01060017	Blower Mounting Screws	4
<b>3</b>	56200063	Electrical Junction Box	1
<b>4</b>	54060015	6 Inch Round Damper	1
<b>5</b>	54140372	Mounting Bracket	2
<b>6</b>	50320064	Sliding Rails	2
<b>7</b>	50120234	Rear Spacer Panel (30")	1
<b>7</b>	50120235	Rear Spacer Panel (36")	1
<b>8</b>	50300146	Slide Out Canopy	1
<b>9</b>	11030204	Internal Wiring, Motor & Lights	1
<b>10</b>	50140217	Front Trim Panel, Stainless Steel, (30")	1
<b>10</b>	50140218	Front Trim Panel, Stainless Steel, (36")	1
<b>11</b>	50200073	Upper Mesh Filter (30")	1
<b>11</b>	50200075	Upper Mesh Filter (36")	2
<b>12</b>	50200072	Lower Mesh Filter (30")	1
<b>12</b>	50200074	Lower Mesh Filter (36")	2
<b>13</b>	11000179	Switch Assembly	1
<b>14</b>	50110441	Light Panel w/Light Sockets (30")	1
<b>14</b>	50110440	Light Panel w/Light Sockets (36")	1
<b>15</b>	Z0B0056	LED Light Bulb, GU-10	2
<b>16</b>	12120100	Motor	1
<b>17</b>	12050042	Capacitor	1
<b>18</b>	05000198	Hardware Packet	1