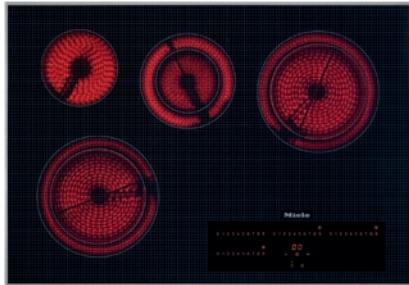


KM 5840 240V

Electric cooktop

with direct selection plus including timer for maximum user convenience.



- Quick selection using numerical linear keybanks – Direct control plus
- Attractive design – 30 5/8 (775) in (mm) wide with stainless steel frame
- Very versatile – 4 cooking zones with 2 Vario zones
- Convenient – Auto heat-up for every cooking zone
- Safe – residual heat indicator for every cooking zone

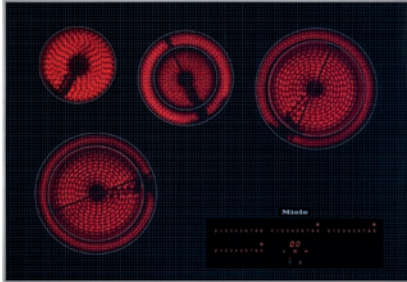
EAN: 4002514866673 / Material number: 07821740 / Old Material Number: 26584050USA

| | |
|---------------------------------------|-----------------------|
| Heating type | |
| Fuel type | Electrical |
| Construction type | |
| Independent of oven | • |
| Design | |
| Elegant glass ceramic surface | • |
| Ceramic surface colour | Black |
| Stainless steel frame | • |
| Print design | Basalt grey decor |
| Proud installation | • |
| Ring features | |
| No. of rings | 4 |
| 1st cooking zone/cooking area | |
| Position | front left |
| Type | Variable cooking zone |
| Size in mm | Ø 180 / Ø 230 |
| Max. rating in W | 1600/2500 |
| 2nd cooking zone/cooking area | |
| Position | rear left |
| Type | Single-circuit ring |
| Size in mm | Ø 145 |
| Max. rating in W | 1200 |
| 3rd cooking zone/cooking area | |
| Position | rear center |
| Type | Variable cooking zone |
| Size in mm | Ø 120 / Ø 180 |
| Max. rating in W | 700/1800 |
| 4th cooking zone/cooking area | |
| Position | front right |
| Type | Variable cooking zone |
| Size in mm | Ø 180 / Ø 230 |
| Max. rating in W | 1600/2500 |
| User convenience | |
| Operation via sensor controls | Direct Control Plus |
| Extended cooking zone | • |
| Display colour | Red |
| Auto heat-up | • |
| Stop & Go function | • |
| Minute minder | • |
| Safety switch-off | • |
| Cleaning convenience | |
| Easy to clean ceramic glass | • |
| Safety | |
| Safety cut-out | • |
| Lock function | • |
| System lock | • |
| Overheating protection | • |
| Residual heat indicator | • |
| Technical data | |
| Dimensions (H x W x D) in inches (mm) | |

KM 5840 240V

Electric cooktop

with direct selection plus including timer for maximum user convenience.



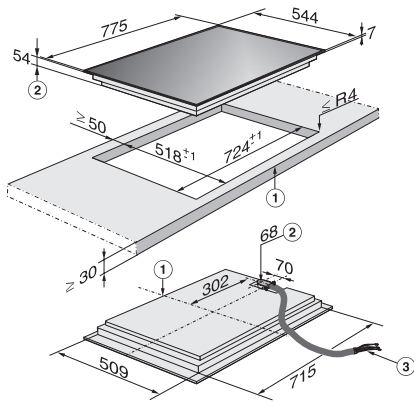
EAN: 4002514866673 / Material number: 07821740 / Old Material Number: 26584050USA

| | |
|--|--------------|
| Dimensions (width) in in. (mm) | 30 5/8 (775) |
| Height in in. (mm) | 2 1/2 (62) |
| Dimensions in mm (depth) | 21 1/2 (544) |
| Cutout dimensions (width) in in. (mm) | 28 5/8 (724) |
| Casing height incl. connection box in mm | 2 3/4 (67) |
| Cutout dimensions (depth) in in. (mm) | 20 1/2 (518) |
| Weight in lbs. (kg) | 35 (16) |
| Total connected load in kW | 8.00 |
| Power cord length in in. (m) | 4 (1.4) |
| Voltage in V | 240 |
| Frequency in Hz | 60 |
| Accessories supplied | |
| Razor-blade scraper | • |
| Number of mains cables with plug | Yes |

KM 5840 240V

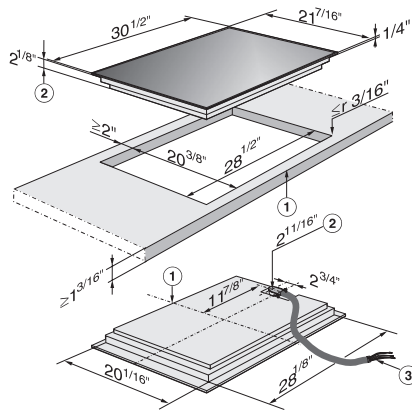
Electric cooktop

with direct selection plus including timer for maximum user convenience.



KM 5840 (Installation drawing)

1. Front, 2. Building-in depth, 3. Flexible metal hose, L = 1200 mm



KM 5840 (Installation drawing)

1. Front, 2. Building-in depth, 3. Flexible metal hose, L = 47 1/4"