



| | | |
|-----------|---|-----------|
| EN | INSTALLATION MANUAL USER AND MAINTENANCE MANUAL MICROWAVE DRAWER | 3 |
| FR | MANUEL D'INSTALLATION MANUEL D'UTILISATION ET D'ENTRETIEN FOUR MICRO-ONDES TIROIR | 27 |

FROM THE DESK OF OUR PRESIDENT

Dear new owner of a Bertazzoni appliance,

I want to thank you for choosing one of our beautiful products for your home.

My family started manufacturing kitchen appliances in Italy in 1882, building a reputation for quality of engineering and passion for good food.

Today, our products stand out because of their unique blend of authentic Italian design and superior appliance technology. It is our mission to make products that function perfectly and bring joy to their owners.

By making beautiful products we respond to our customers' flair for good design. By making them versatile and easy-to-use, cooking with Bertazzoni becomes a real pleasure.

This manual will help you learn to use and care for your Bertazzoni appliance in the safest and most effective way, so that it can give you the highest satisfaction for years to come.

Enjoy!

Paolo Bertazzoni

President

A handwritten signature in black ink that reads "Paolo Bertazzoni". The signature is written in a cursive style with a vertical line extending upwards from the start of the word "Paolo".

USER MANUAL VALIDITY

The following manual is valid only for **MD24LX** product code.

CONTENTS

| | |
|--|----|
| INTRODUCTION AND WARNINGS | 7 |
| READING THE MANUAL | 7 |
| APPLIANCE IDENTIFICATION | 7 |
| GENERAL SAFETY INSTRUCTIONS | 7 |
| MODEL AND SERIAL NUMBER LOCATION | 7 |
| APPLIANCE WARNINGS | 8 |
| INSTALLATION AND CONNECTION | 9 |
| UTENSILS | 9 |
| SPECIFICATIONS | 11 |
| RADIO INTERFERENCE | 11 |
| INSTALLATION MANUAL | 12 |
| PARTS AND ACCESSORIES | 12 |
| UNPACKING YOUR MICROWAVE DRAWER | 13 |
| IMPORTANT NOTES TO THE INSTALLER | 13 |
| IMPORTANT NOTES TO THE CONSUMER | 13 |
| IMPORTANT SAFETY INSTRUCTIONS | 13 |
| CLEARANCES AND DIMENSIONS | 14 |
| INSTALLATION CLEARANCE REQUIREMENTS | 14 |
| STANDARD INSTALLATION | 14 |
| MICROWAVE DRAWER MEASUREMENTS | 15 |
| FLUSH MOUNT INSTALLATION | 17 |
| ANTI-TIP BLOCK | 19 |
| NORMAL INSTALLATION STEPS ANTI-TIP BLOCK INSTALLATION INSTRUCTIONS | 19 |
| ELECTRICAL OUTLET | 19 |
| GROUNDING INSTRUCTIONS | 20 |
| USING THE APPLIANCE | 21 |
| CONTROL PANEL AND FEATURES | 21 |
| POWER LEVEL | 21 |
| STANDBY | 22 |
| SETTING THE CLOCK | 22 |
| SETTING THE TIMER | 22 |
| MICROWAVE COOKING | 22 |
| SPEEDY COOKING | 23 |
| DEFROST BY WEIGHT | 23 |
| DEFROST BY TIME | 23 |
| BEVERAGE | 23 |
| POPCORN | 23 |
| MELT | 23 |
| SOFTEN | 24 |
| MUTE ON / OFF | 24 |
| CHILD LOCK | 24 |
| ECO FUNCTION | 24 |
| INQUIRING FUNCTION | 24 |
| MAINTENANCE | 25 |
| TROUBLESHOOTING | 25 |
| CUSTOMER CARE | 26 |

INTRODUCTION AND WARNINGS

READING THE MANUAL

These instructions are suitable for different types of appliances, so they may contain descriptions of functions which your appliance may not contain or support.

The images and illustrations in this document refer to various models and may differ slightly from the product purchased.

The manufacturer does not accept any responsibility for personal injury or damage to property arising from incorrect installation or misuse of the appliance.

The manufacturer reserves the right to modify the various models as required to comply with the technical regulations in force.

In the event of complaints, please contact the customer service.

APPLIANCE IDENTIFICATION

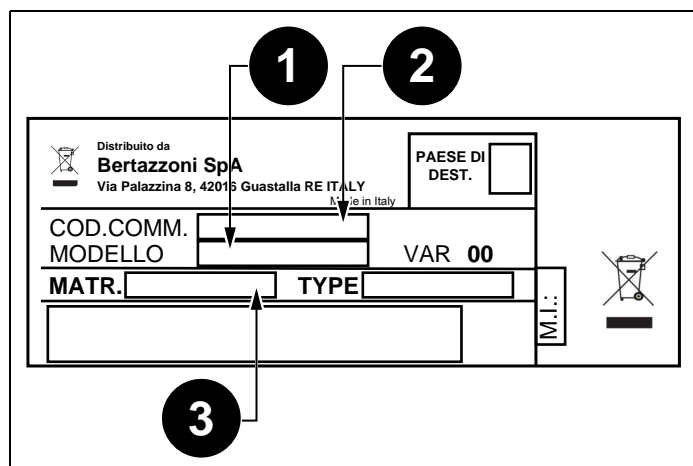


Fig. 1

The dataplate contains the following information:

- 1 Model
- 2 Sales Code
- 3 Serial Number

NOTE



You are advised to make a note of the appliance's data and serial numbers so they are immediately available if required.

NOTE



State the information provided on the dataplate to improve the efficiency of the after-sales and parts services.

GENERAL SAFETY INSTRUCTIONS

- Do not attempt to operate this oven with the door open since this can result in harmful exposure to microwave energy. It is important not to break or tamper with the safety interlocks.
- Do not place any object between the oven front face and the door or allow soil or cleaner residue to accumulate on sealing surfaces.
- Do not operate the oven if it is damaged. It is particularly important that the oven door close properly and that there is no damage to the:
 - 1) DOOR (bent)
 - 2) HINGES AND LATCHES (broken or loosened)
 - 3) DOOR SEALS AND SEALING SURFACES
- The oven should not be adjusted or repaired by anyone except properly qualified service personnel.



WARNING

If the door or door seals are damaged, the oven must not be operated until it has been repaired by a competent person.

MODEL AND SERIAL NUMBER LOCATION

The name plate includes model and serial number. Open the Microwave Drawer fully. The label is beyond the back wall of the microwave cavity facing up from the flat surface.

INTRODUCTION AND WARNINGS

APPLIANCE WARNINGS

When using electrical appliances basic safety precautions should be followed, including the following:



WARNING

To reduce the risk of burns, electric shock, fire, injury to persons or exposure to excessive microwave energy:

- 1) Read all instructions before using the appliance.
- 2) Read and follow the specific: *GENERAL SAFETY INSTRUCTIONS*
- 3) This appliance must be grounded. Connect only to properly grounded outlet.
- 4) Install or locate this appliance only in accordance with the provided installation instructions.
- 5) Some products such as whole eggs and sealed containers for example, closed glass jars are able to explode and should not be heated in this oven.
- 6) Use this appliance only for its intended use as described in the manual. Do not use corrosive chemicals or vapors in this appliance. This type of oven is specifically designed to heat, cook or dry food. It is not designed for industrial or laboratory use.
- 7) **HOT CONTENTS CAN CAUSE SEVERE BURNS. DO NOT ALLOW CHILDREN TO USE THE MICROWAVE.** Use caution when removing hot items.
- 8) Do not operate this appliance if it has a damaged cord or plug, if it is not working properly, or if it has been damaged or dropped.
- 9) This appliance should be serviced only by qualified service personnel. Contact nearest authorized service facility for examination, repair, or adjustment.
- 10) Do not cover or block any openings on the appliance.
- 11) Do not store this appliance outdoors. Do not use this product near water - for example, near a kitchen sink, in a wet basement, near a swimming pool, or similar location.
- 12) Do not immerse cord or plug in water.
- 13) Keep cord away from heated surface.
- 14) Do not let cord hang over edge of table or counter.
- 15) When cleaning surfaces of door and oven that comes together on closing the door, use only mild, nonabrasive soaps, or detergent applied with a sponge or soft cloth.

16) To reduce the risk of fire in the oven cavity:

- 16.1) Do not overcook food. Carefully attend appliance when paper, plastic, or other combustible materials are placed inside the oven to facilitate cooking.
- 16.2) Remove wire twist-ties from paper or plastic bag before placing bag in oven.
- 16.3) If material inside of the oven ignites, keep oven door closed, turn oven off, and disconnect the power cord, or shut off power at the fuse or circuit breaker panel.
- 16.4) Do not use the cavity for storage purposes. Do not leave paper products, cooking utensils, or food in the cavity when not in use.

17) Liquids, such as water, coffee, or tea are able to be overheated beyond the boiling point without appearing to be boiling. Visible bubbling or boiling when the container is removed from the microwave oven is not always present.

THIS COULD RESULT IN VERY HOT LIQUID SUDDENLY BOILING OVER WHEN THE CONTAINER IS DISTURBED OR A UTENSIL IS INSERTED INTO THE LIQUID.

To reduce the risk of injury to persons:

- 17.1) Do not overheat the liquid.
- 17.2) Stir the liquid both before and halfway through heating it.
- 17.3) Do not use straight-sided containers with narrow necks.
- 17.4) After heating, allow the container to stand in the microwave oven for a short time before removing the container.
- 17.5) Use extreme care when inserting a spoon or other utensil into the container.
- 18) Do not operate any heating or cooking appliance beneath the appliance.
- 19) Do not mount unit over or near any portion of heating or cooking appliance.
- 20) Do not mount over sink.
- 21) Do not store anything directly operation.
- 22) Do not cover racks or any other part of the oven with metal foil. This will cause overheating of the oven.



DANGER

Electric Shock Hazard Touching some of the internal components can cause serious personal injury or death. Do not disassemble this appliance.

INTRODUCTION AND WARNINGS



WARNING

Electric Shock Hazard Improper use of the grounding can result in electric shock. Do not plug into an outlet until appliance is properly installed and grounded.

This appliance must be grounded. In the event of an electrical short circuit, grounding reduces the risk of electric shock by providing an escape wire for the electric current. This appliance is equipped with a cord having a grounding wire with a grounding plug. The plug must be plugged into an outlet that is properly installed and grounded.

Consult a qualified electrician or serviceman if the grounding instructions are not completely understood or if doubt exists as to whether the appliance is properly grounded. If it is necessary to use an extension cord, use only a 3-wire extension cord.

- A short power-supply cord is provided to reduce the risks resulting from becoming entangled in or tripping over a longer cord.
- If a long cord set or extension cord is used:
 - 1) The marked electrical rating of the cord set or extension cord should be at least as great as the electrical rating of the appliance.
 - 2) The extension cord must be a grounding-type 3-wire cord.
 - 3) The long cord should be arranged so that it will not drape over the counter top or tabletop where it can be pulled on by children or tripped over unintentionally.



WARNING

Improper use of the grounding can result in a risk of electric shock.

INSTALLATION AND CONNECTION

- 1) This appliance is only intended for domestic use.
- 2) This oven is intended for built-in use only. It is not intended for counter-top use or for use inside a cabinet.
- 3) Please observe the special installation instructions.
- 4) The appliance can be installed in a 60 cm wide wall-mounted cupboard.
- 5) The appliance is fitted with a plug and must only be connected to a properly installed earthed socket.
- 6) The mains voltage must correspond to the voltage specified on the rating plate.
- 7) The socket must be installed and connecting cable must only be replaced by a qualified electrician. If the plug is no longer accessible following installation, an all-pole disconnecting device must be present on the installation side with a contact gap of at least 3 mm.
- 8) Adapters, multi-way strips and extension leads must not be used. Overloading can result in a risk of fire.
- 9) Don't use under the work surface and that it must not be subject to spillage from containers onto surfaces under which the appliance is installed.



WARNING

The accessible surface may be hot during and after operation.

UTENSILS

See the instructions on Table 1 *MATERIALS YOU CAN USE IN MICROWAVE OVEN* and Table 2 *MATERIALS TO BE AVOIDED IN MICROWAVE OVEN*. There may be certain non-metallic utensils that are not safe to use for microwaving. If in doubt, you can test the utensil in question following the procedure below.

UTENSIL TEST

- 1) Fill a microwave-safe container with 1 cup of cold water (250 ml) along with the utensil in question.
- 2) Cook on maximum power for 1 minute.
- 3) Carefully feel the utensil. If the empty utensil is warm, do not use it for microwave cooking.
- 4) Do not exceed 1 minute cooking time.



CAUTION

Personal Injury Hazard

Tightly-closed utensils could explode. Closed containers should be opened and plastic pouches should be pierced before cooking.

INTRODUCTION AND WARNINGS

Table 1 MATERIALS YOU CAN USE IN MICROWAVE OVEN

| UTENSILS | REMARKS |
|-----------------------|--|
| Browning dish | Follow manufacturer's instructions. The bottom of browning dish must be at least 3/16" (5 mm) above the turntable. Incorrect usage may cause the turntable to break. |
| Dinnerware | Microwave-safe only. Follow manufacturer's instructions. Do not use cracked or chipped dishes. |
| Glass jars | Always remove lid. Use only to heat food until just warm. Most glass jars are not heat resistant and may break. |
| Glassware | Heat-resistant oven glassware only. Make sure there is no metallic trim. Do not use cracked or chipped dishes. |
| Oven cooking bags | Follow manufacturer's instructions. Do not close with metal tie. Make slits to allow steam to escape. |
| Paper plates and cups | Use for short-term cooking/warming only. Do not leave oven unattended while cooking. |
| Paper towels | Use to cover food for reheating and absorbing fat. Use with supervision for a short-term cooking only. |
| Parchment paper | Use as a cover to prevent splattering or a wrap for steaming. |
| Plastic | Microwave-safe only. Follow the manufacturer's instructions. Should be labeled "Microwave Safe". Some plastic containers soften, as the food inside gets hot. "Boiling bags" and tightly closed plastic bags should be slit, pierced or vented as directed by package. |
| Plastic wrap | Microwave-safe only. Use to cover food during cooking to retain moisture. Do not allow plastic wrap to touch food. |
| Thermometers | Microwave-safe only (meat and candy thermometers). |
| Wax paper | Use as a cover to prevent splattering and retain moisture. |

Table 2 MATERIALS TO BE AVOIDED IN MICROWAVE OVEN

| UTENSILS | REMARKS |
|---------------------------------|--|
| Aluminium tray | May cause arcing. Transfer food into microwave-safe dish. |
| Food carton with metal handle | May cause arcing. Transfer food into microwave-safe dish. |
| Metal or metal-trimmed utensils | Metal shields the food from microwave energy. Metal trim may cause arcing. |
| Metal twist ties | May cause arcing and could cause a fire in the oven. |
| Paper bags | May cause a fire in the oven. |
| Plastic foam | Plastic foam may melt or contaminate the liquid inside when exposed to high temperature. |
| Wood | Wood will dry out when used in the microwave oven and may split or crack. |

INTRODUCTION AND WARNINGS

SPECIFICATIONS

| MODEL | MD24LX |
|------------------|--------------|
| Rated Voltage | 120 VAC 60Hz |
| Microwave Input | 1500 W |
| Microwave Output | 1000 W |

RADIO INTERFERENCE

- 1) Operation of the microwave oven may cause interference to your radio, TV or similar equipment.
- 2) When there is interference, it may be reduced or eliminated by taking the following measures:
 - 2.1) Clean door and sealing surface of the oven
 - 2.2) Reorient the receiving antenna of radio or television
 - 2.3) Relocate the microwave oven with respect to the receiver.
 - 2.4) Move the microwave oven away from the receiver.
 - 2.5) Plug the microwave oven into a different outlet so that microwave oven and receiver are on different branch circuits.
- 3) This equipment generates, uses and can radiate radio frequency energy and, if not installed and used in accordance with the instructions, may cause harmful interference to radio communications. However, there is no guarantee that interference will not occur in a particular installation. If this equipment does cause harmful interference to radio or television reception, which can be determined by turning the equipment off and on, the user is encouraged to try to correct the interference by one or more of the following measures:
 - 3.1) Reorient or relocate the receiving antenna.
 - 3.2) Increase the separation between the equipment and receiver.
 - 3.3) Connect the equipment into an outlet on a circuit different from that to which the receiver is connected.
 - 3.4) Consult the dealer or an experienced radio/TV technician for help.

This device complies with part 18 of the FCC Rules.

INSTALLATION MANUAL

PARTS AND ACCESSORIES

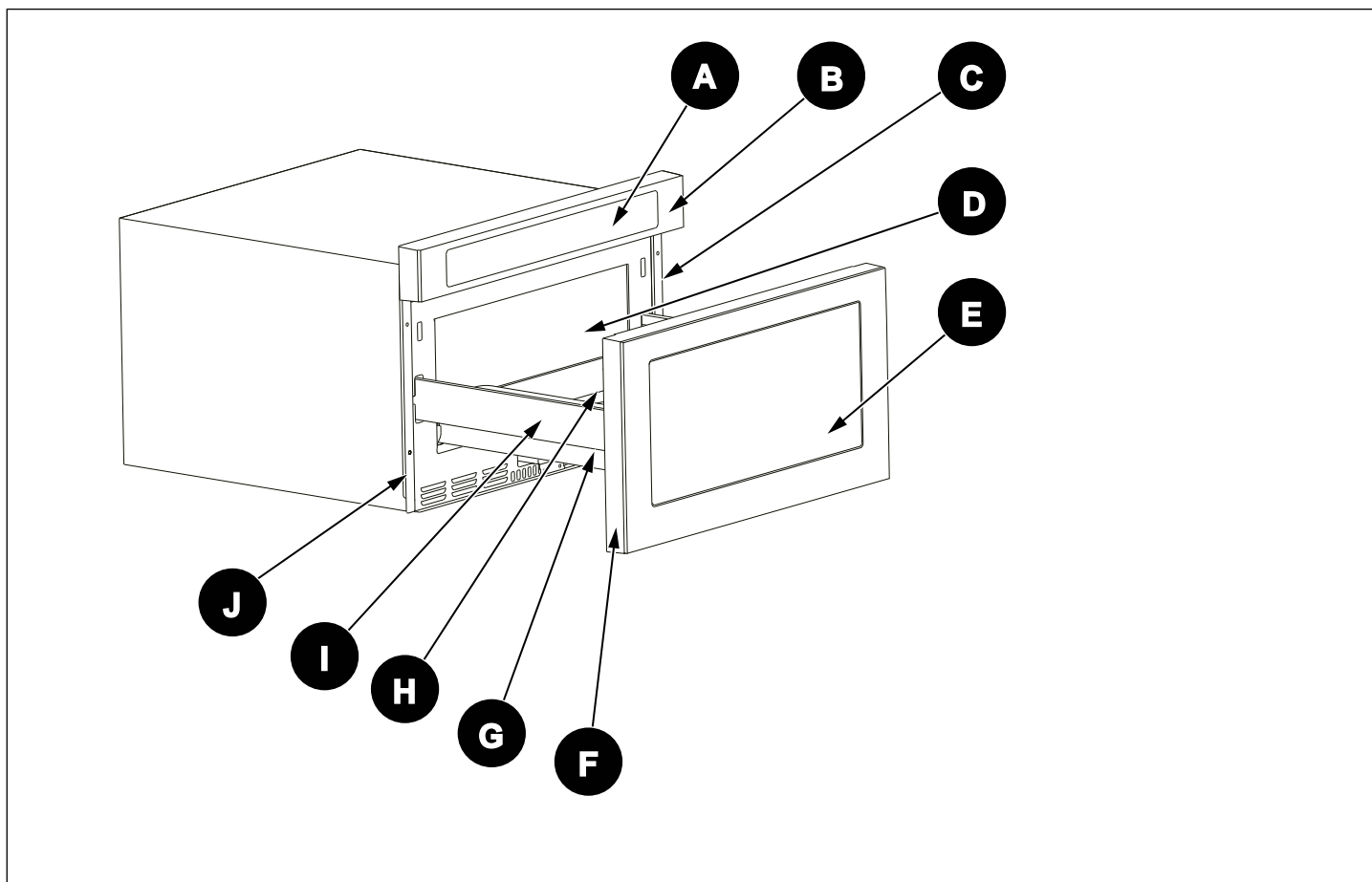


Fig. 2

| ITEM | |
|------|----------------------|
| A | Control panel |
| B | Control Box |
| C | Right Mounting Plate |
| D | Cavity |
| E | Window |
| F | Door Frame |
| G | Automatic putter |
| H | Drawer |
| I | Hinge Joint Board |
| J | Left Mounting Plate |

(*) Only be used in defrosting function and do not use for cooking. Do not use without food

INSTALLATION MANUAL

UNPACKING YOUR MICROWAVE DRAWER

- Remove all packing materials from inside the Microwave Drawer. **DO NOT REMOVE THE WAVEGUIDE COVER**, which is located on the top of the Microwave Drawer.
- Remove the feature sticker, if there is one. Check the drawer for any damage, such as misaligned or bent drawer, damaged drawer seals and sealing surfaces, broken or loose Microwave Drawer guides and dents inside the cavity or on the front side of the drawer. If there is any damage, do not operate the Microwave Drawer and contact your dealer or a BERTAZZONI CUSTOMER CARE SUPPORT.

IMPORTANT NOTES TO THE INSTALLER

- Read all of the Installation Manual before installing the Microwave Drawer.
- Remove all packing material before connecting the electrical supply.
- Observe all governing codes and ordinances.
- Be sure to leave these instructions with the consumer.

IMPORTANT NOTES TO THE CONSUMER

Keep this manual with your Operation Manual for future reference.

- As when using any microwave oven generating heat, there are certain safety precautions you should follow. These are listed in the Operation Manual. Read all and follow carefully.
- Be sure your Microwave Drawer is installed and grounded properly by a qualified installer or service technician.

IMPORTANT SAFETY INSTRUCTIONS



WARNING

if the information in this manual is not followed exactly, a fire or electrical shock may result that could cause property damage, personal injury or death.



WARNING

To reduce the risk of tipping, the Microwave Drawer must be secured by a properly installed Anti-Tip block.

- This Microwave Drawer must be electrically grounded in accordance with local codes.
- Make sure the wall coverings and the cabinets around the Microwave Drawer can withstand the heat generated by the Microwave Drawer.



WARNING

Never leave children alone or unattended in the area where a Microwave Drawer is in use. Never leave the drawer open when the microwave is unattended.



WARNING

Stepping, leaning or sitting on the drawer may result in serious injuries and can also cause damage to the Microwave Drawer.

- **Do not use the Microwave Drawer as a storage space.** This creates a potentially hazardous situation.
- Check that the time-of-day is in the display. IF not, touch Stop/Clear to prevent unintended use.

INSTALLATION MANUAL

CLEARANCES AND DIMENSIONS

For SAFETY CONSIDERATIONS do not install drawer in any combustible cabinetry, which is not in accord with the stated clearances and dimensions presented in *MICROWAVE DRAWER MEASUREMENTS ANTI-TIP BLOCK ELECTRICAL OUTLET*

- Dimensions that are shown in Fig. 4 must be used. Given dimensions provide minimum clearance. Locate electrical outlet in the shaded area in the upper left-hand corner of the cutout. Fig. 4
- Contact surface must be solid and level. Pay special attention to the floor on which the Microwave Drawer will sit. The floor of the opening should be constructed of plywood strong enough to support the weight of the oven (about 100 pounds).
- Check location where the Microwave Drawer will be installed for proper electrical supply
- Your oven can be built into a cabinet or wall by itself or under a gas or electric wall oven.
- Be sure that the clearance of the floor between the wall oven and the microwave drawer is a minimum of 2-inches.
- The microwave interior will easily accommodate a 9" x 13" oblong dish or a bag of microwave popcorn.

INSTALLATION CLEARANCE REQUIREMENTS

When installing the microwave drawer into a counter, follow the recommended spacing dimensions shown. The given dimensions provide minimum clearance.

The microwave drawer can be built into a cabinet, standalone wall, or under a gas or an electric wall oven where both standard installation and flush mount installation are available. Standard installation is a standing proud installation.

Make sure the clearance of the floor between the wall oven and microwave drawer is a minimum of 2".

The power supply cord is located on the back of the unit and has a length of 51-1/8" to accommodate multiple outlet locations, including installation to an adjacent cabinet. The power supply cord access hole should be a minimum 1-1/2" diameter hole and debarred of sharp edges.

The contact surface must be solid and level. The floor of the opening should be constructed of plywood strong enough to support the weight of the oven (about 100 lbs).

This microwave drawer can be fully built-in to cabinetry and does not require any additional clearances besides what is referenced below.

STANDARD INSTALLATION

Please carefully follow the instructions below to properly install the microwave drawer via standard installation. Standard installation will result in the door slightly protruding from the cabinet.

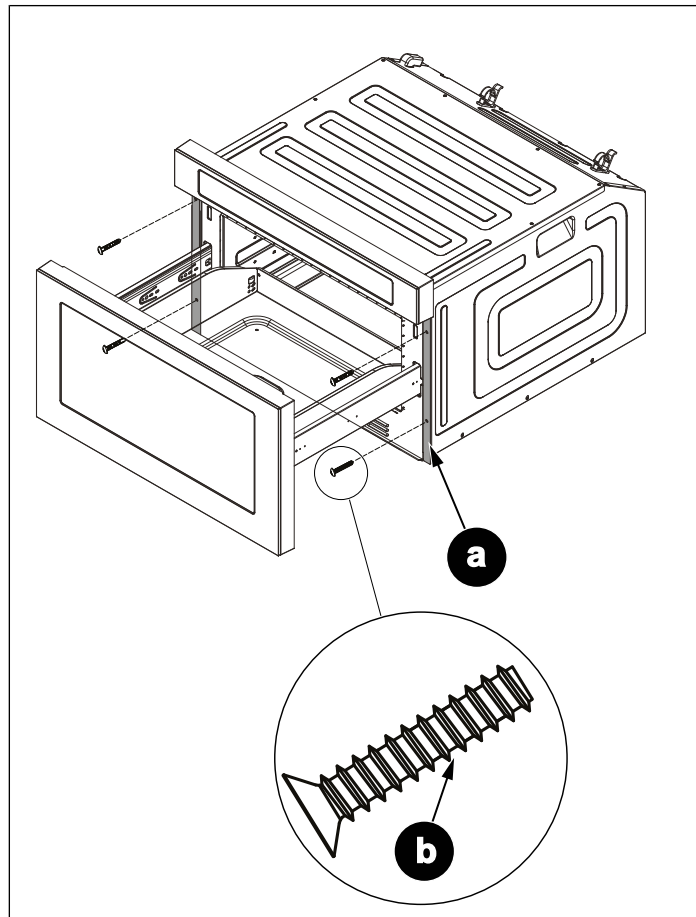


Fig. 3

- 1) Place the microwave drawer adjacent to the wall or cabinet opening. Plug the power cable into the electrical outlet.
- 2) Carefully guide the microwave drawer into the prepared opening. Avoid pinching the power cable between the microwave drawer and the wall.
- 3) Slide the microwave drawer all the way until the mounting flange (Fig. 3 a) is flush with the face of the cabinet.
- 4) Open the microwave drawer. Using the 4 holes on the microwave drawer to guide in pre-drilling the cabinet using a 1/16" drill bit. Refer to Fig. 3 .
- 5) Secure the drawer with (4) M4*16-F Philip countersunk screws. Refer to (Fig. 3 b).

INSTALLATION MANUAL

MICROWAVE DRAWER MEASUREMENTS

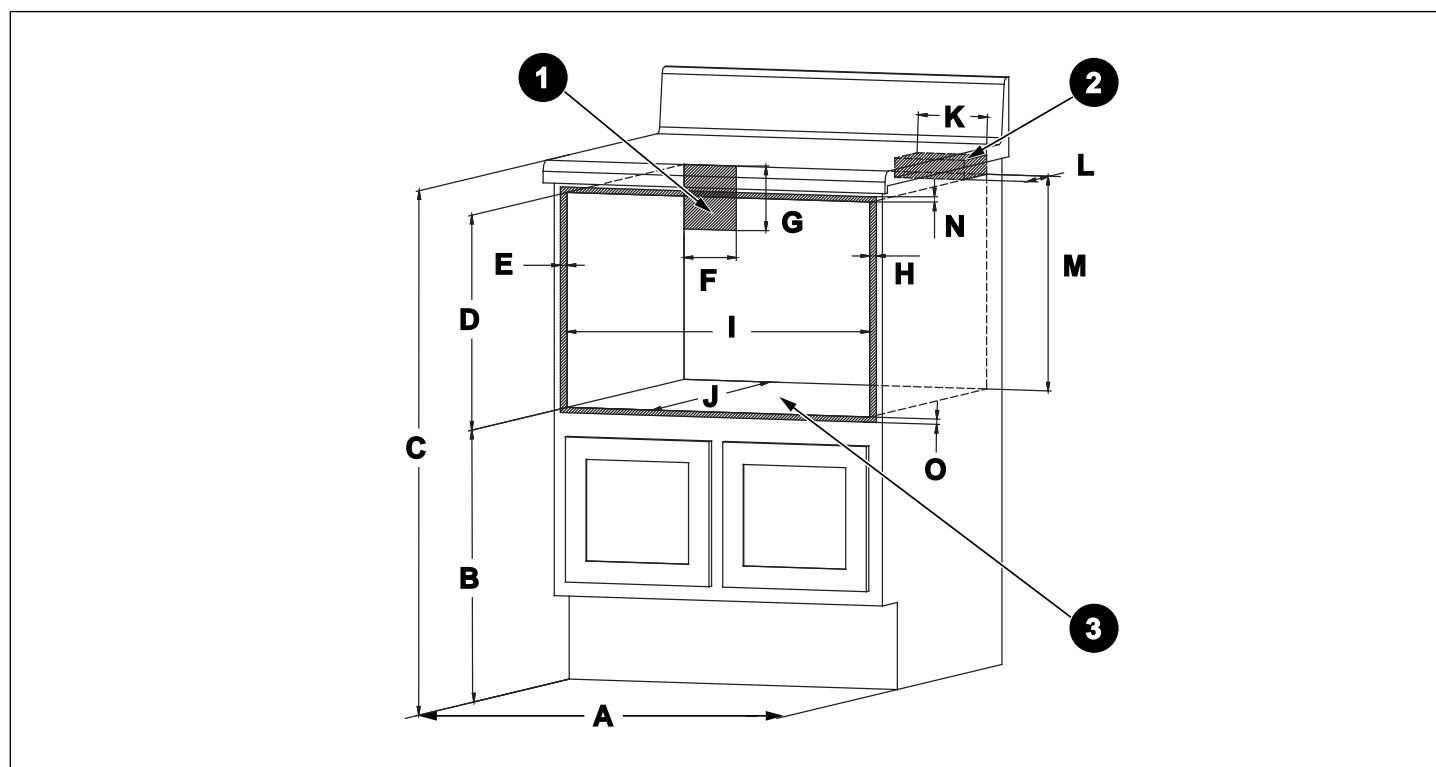


Fig. 4

- 1 Suggested electrical outlet location
- 2 Anti tip block
- 3 Floot must support 100 lbs

| CATEGORY | MEASURE | DESCRIPTION |
|----------|-----------|--|
| A | 24" | cabinet min |
| B | 19" | to top of floor |
| C | 36" | countertop height |
| D | 14 3/4" | opening |
| E | 7/8" | allow overlap |
| F | 4" | Suggested electrical outlet location width |
| G | 5" | Suggested electrical outlet location depth |
| H | 7/8" | allow overlap |
| I | 22 1/8" | opening |
| J | 23 1/2" | min depth |
| K | 6" | anti tip block's width |
| L | 3 1/2" | anti tip block's depth |
| M | 14 13/16" | to bottom of anti tip block |
| N | 1 3/16" | allow overlap |
| O | 7/16" | allow overlap |

INSTALLATION MANUAL

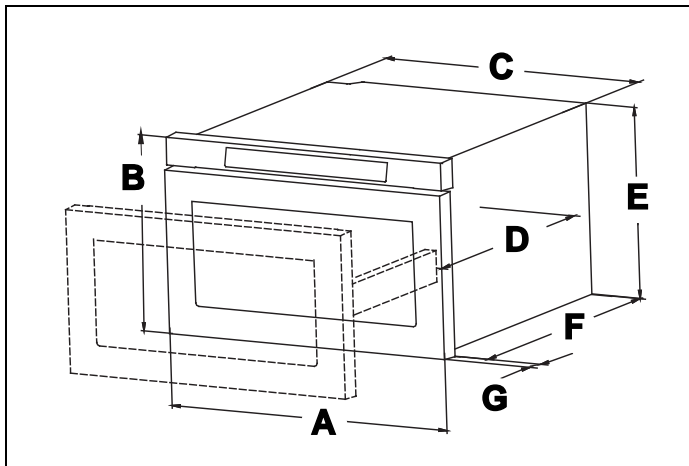


Fig. 5

| CATEGORY | MEASURE | DESCRIPTION |
|----------|---------|---------------------|
| A | 23 5/8" | |
| B | 16" | |
| C | 21 5/8" | |
| D | 15" | auto drawer opening |
| E | 14 5/8" | |
| F | 21 5/8" | |
| G | 1 1/2" | door thickness |

Fig. 4 and Fig. 5 contain many Microwave Drawer measurements for reference when planning the drawer's location. This Microwave Drawer can be installed below any electric or gas wall oven. *Can also be installed using an electrical outlet in an adjacent cabinet within the area where tire provided electrical cord can reach. Power cord access hole in cabinet should be a minimum 1 1/2" diameter hole and debarred of all sharp edges.



IMPORTANT

Always allow sufficient power cord length to the electrical outlet to prevent tension. Always check electrical codes for requirements.

INSTALLATION MANUAL

FLUSH MOUNT INSTALLATION

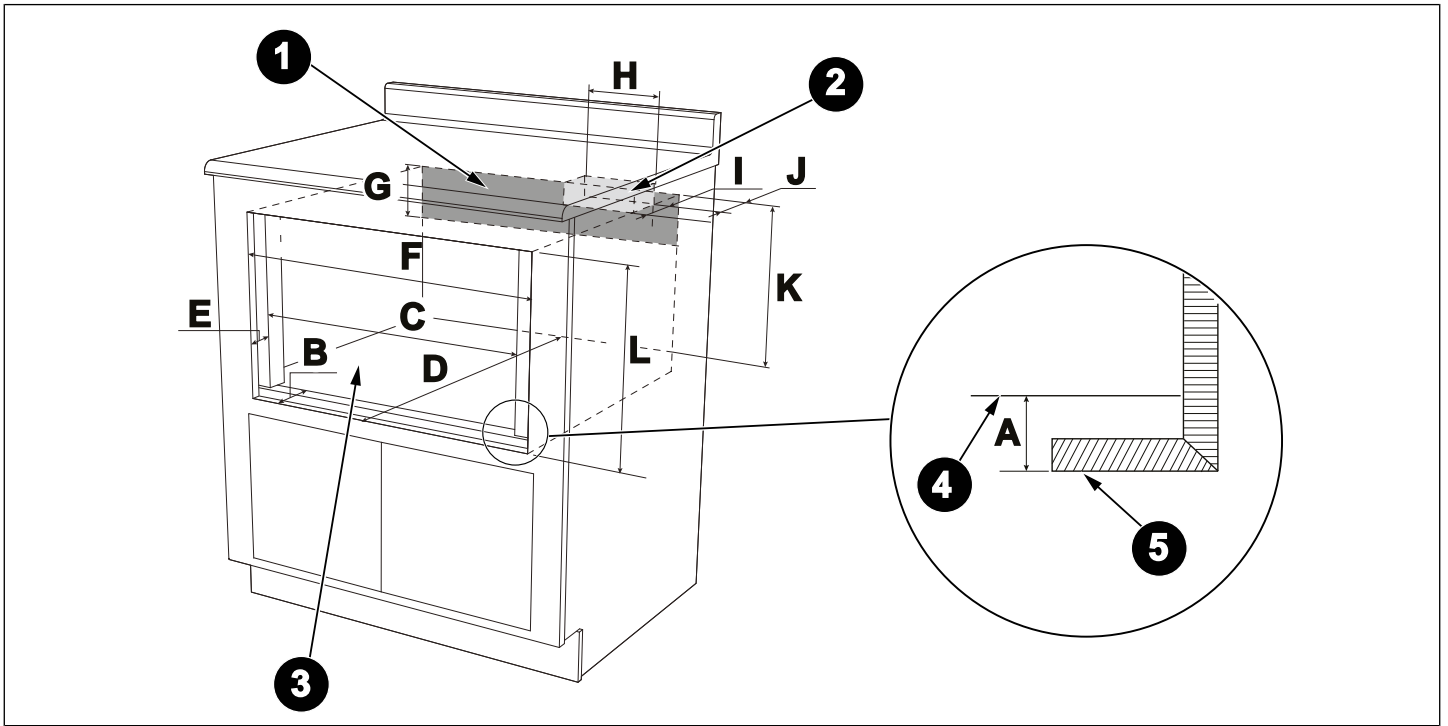


Fig. 6

- 1) Suggested electrical outlet location
- 2) Anti tip block
- 3) Floot must support 100 lbs
- 4) Shelf Face
- 5) Cabinet Face



NOTE

The face of the shelf must sit 1 7/8" back from the face of the cabinet.

| CATEGORY | MEASURE | DESCRIPTION |
|----------|-----------------------------|--|
| A | 2" | |
| B | 2" | |
| C | 22" | |
| D | 23 5/8" | min depth |
| E | 1 1/2" | allow overlap |
| F | min. 24 1/8" max 24 1/2" | opening width |
| G | 5" | Suggested electrical outlet location depth |
| H | 6" | anti tip block's width |
| I | 3 1/2" | anti tip block's depth |
| J | 4" | |
| K | 14 13/16" | to bottom of anti-tip block |
| L | 18" | opening height |

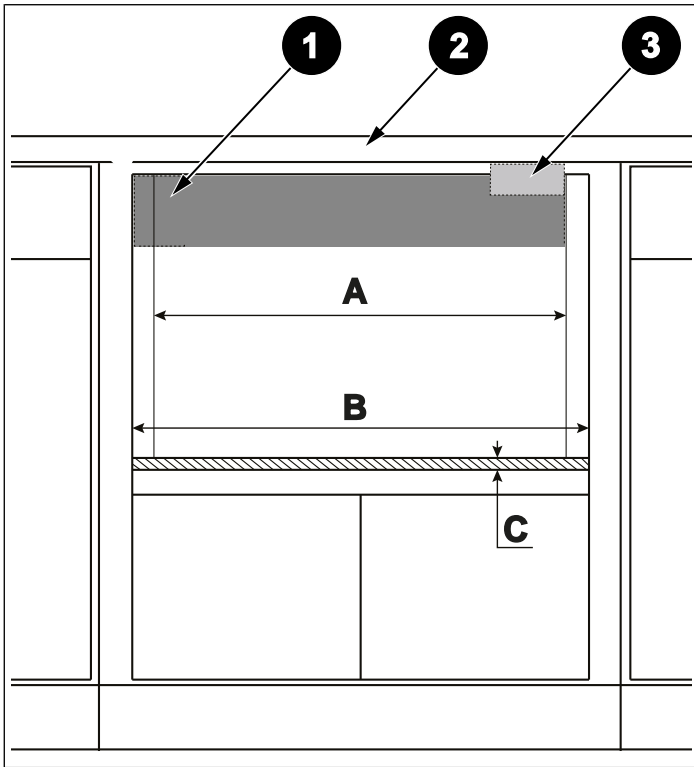


Fig. 7 Front View

- 1 Preferred electrical outlet location
- 2 No Oven
- 3 Anti-tip block

| CATEGORY | MEASURE | DESCRIPTION |
|----------|-------------------------------|------------------------|
| A | 22" | mounting opening width |
| B | min. 24 3/16" max. 24 1/2" | flush opening width |
| C | 3/4" | shelf |

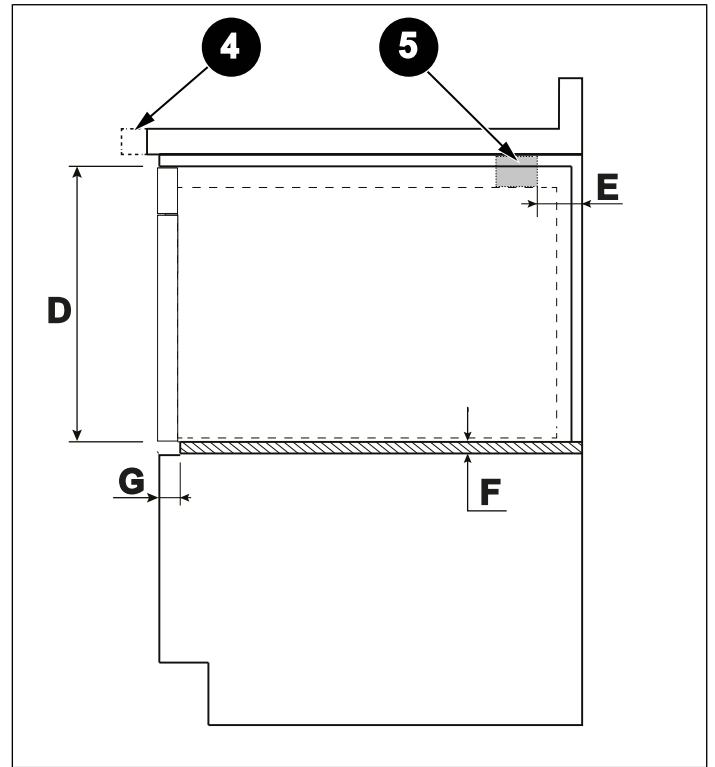


Fig. 8 Side View

- 1 Move open location downward for extended countertops for better viewing angle
- 2 Anti-tip block

| CATEGORY | MEASURE | DESCRIPTION |
|----------|---------|----------------------|
| D | 16 1/8" | flush opening height |
| G | 2" | |
| F | 3/4" | shelf |
| E | 2" | |

Please carefully follow the instructions below to properly install the microwave drawer flush to the cabinet.

- 1) Prepare the cabinet opening as shown in Fig. 6 .
- 2) Place the microwave drawer adjacent to the wall or cabinet. Plug the power supply cord into the electrical outlet. The power supply cord can also be installed using an electrical outlet in an adjacent cabinet.
- 3) Loop (do not tie) a 36" string around the power supply cord before the drawer is slid into place. This string will keep the cord from falling behind the drawer.
- 4) Lift the microwave drawer into the cabinet cutout using the opening as grip. Carefully guide the microwave drawer into the prepared opening.
- 5) As the microwave drawer is slid back, pull the string so the cord will lie on top of the drawer in a natural loop and avoid pinching the cord between the drawer and the wall.

INSTALLATION MANUAL

- 6) Once the cord is out the of way, slide the drawer 3/4 way back into the opening. Remove the string by pulling on one end of the loop.
- 7) Slide the microwave drawer all the way back until the mounting flanges is flush with the face of the cabinet.
- 8) Open the microwave drawer. Use the 4 holes on the microwave drawer to guide in pre-drilling the cabinet using a 1/16" drill bit. Refer to Fig. 3 .
- 9) Secure the drawer with (4) M4*16-F Philip countersunk screws.

ANTI-TIP BLOCK

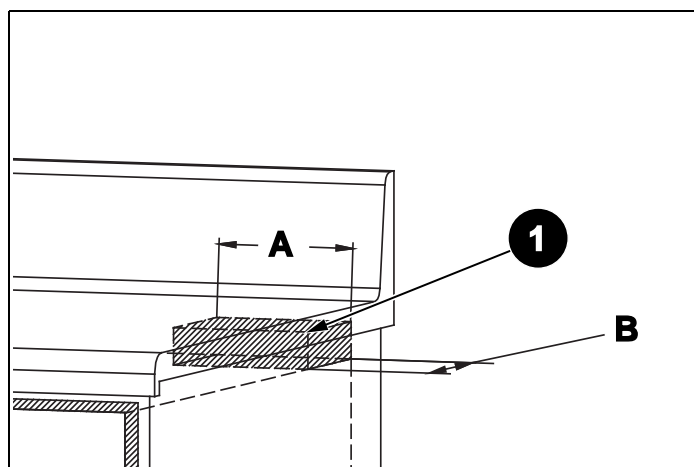


Fig. 9

1) Anti Tip block

| CATEGORY | MEASURE | DESCRIPTION |
|----------|---------|-----------------|
| A | 6" | cabinet min |
| B | 3 1/2" | to top of floor |

NORMAL INSTALLATION STEPS ANTI-TIP BLOCK INSTALLATION INSTRUCTIONS

To reduce the risk of tipping of the drawer, the Anti-Tip block must be properly installed located 14 13/16-inches above the floor on which the Microwave Drawer will sit. The 6-inch Anti-Tip block must be provided by the installer. Fig. 4 and Fig. 9 . The Anti-Tip block prevents serious injury that might result from spilled hot liquids.

If the Microwave Drawer is ever moved to a different location, the Anti-Tip block must also be moved and installed , When installed to the wall make sure that the screws completely penetrate the dry wall and are secured in wood or metal so that the block is totally stable. When fastening, be sure that the screws do not penetrate electrical wiring or plumbing.

ELECTRICAL OUTLET

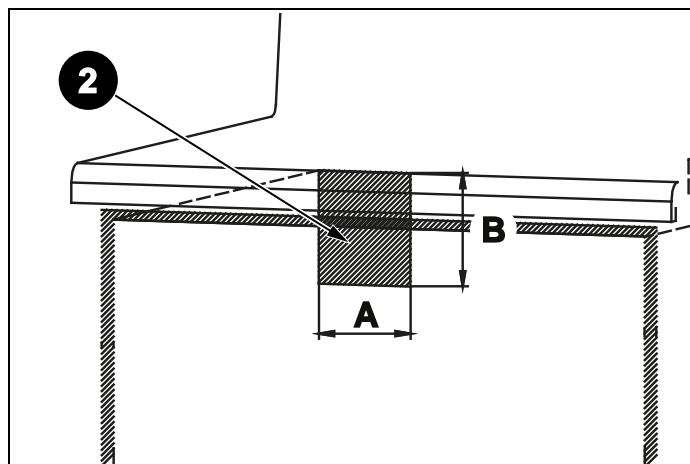


Fig. 10

2) Suggested electrical outlet location

| CATEGORY | MEASURE | DESCRIPTION |
|----------|---------|--|
| A | 4" | Suggested electrical outlet location width |
| B | 5" | Suggested electrical outlet location depth |

The electrical requirements are a 120 volt 60 Hz, AC only, 15 amp. or more protected electrical supply. It is recommended that a separate circuit serving only this appliance be provided.

The drawer is equipped with a 3-prong grounding plug, It must be plugged into a wall receptacle that is properly installed and grounded. Should you only have 2-prong outlet, have a qualified electrician install a correct wall receptacle.



NOTE

If you have any questions about the grounding or electrical Instructions, consult a qualified electrician or service person.

Can also be installed using an electrical outlet in an adjacent cabinet within the area where the provided electrical cord can reach. Always check electrical codes ,for requirements.

INSTALLATION MANUAL

GROUNDING INSTRUCTIONS

This appliance must be grounded. The Microwave Drawer is equipped with a cord having a grounding wire with a grounding plug. It must be plugged into a wall receptacle that is properly installed and grounded in accordance with the National Electrical Code and local codes and ordinances. In the event of an electrical short circuit, grounding reduces risk of electric shock by providing an escape wire for the electric current.



WARNING

Improper use of the grounding plug can result in a risk of electric shock. **Do not use an extension cord . If the power supply cord is too short , have a qualified electrician or serviceman install an outlet near the appliance.**

USING THE APPLIANCE

CONTROL PANEL AND FEATURES

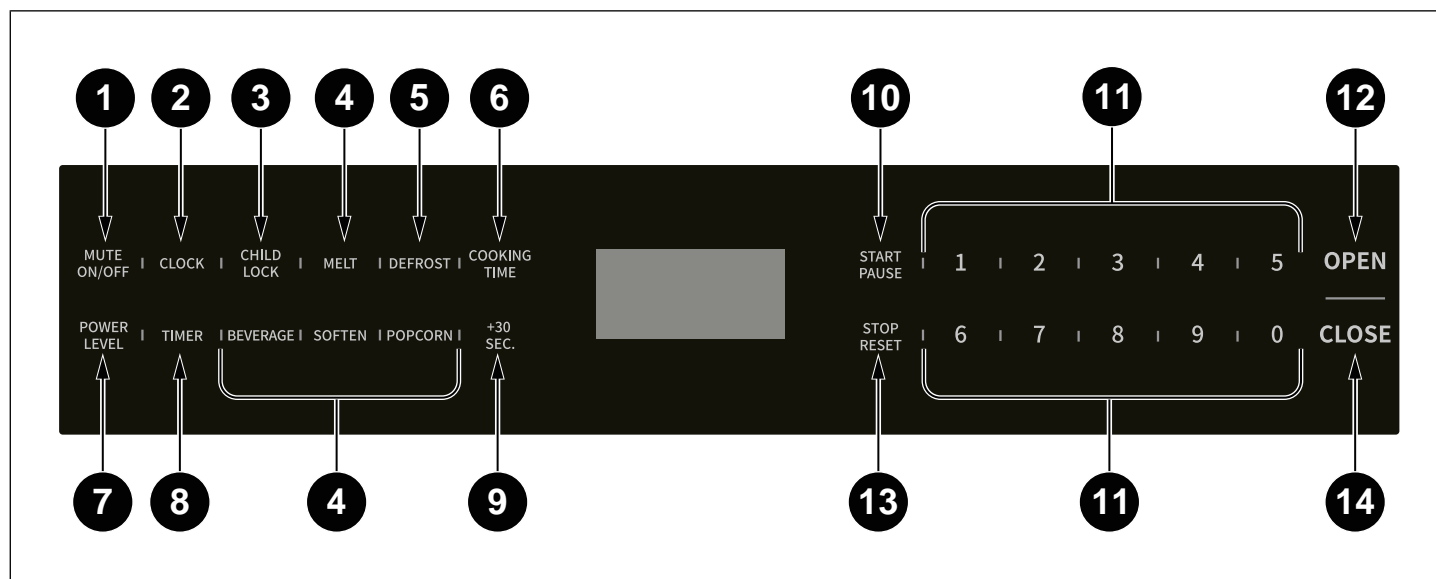


Fig. 11

- | | |
|------------------|------------------|
| 1) Mute On / Off | 6) Cooking Time |
| 2) Clock | 7) Power Level |
| 3) Child Lock | 8) Timer |
| 4) Auto Menu | 9) +30sec. |
| 4.1) Melt | 10) Start/ Pause |
| 4.2) Beverage | 11) Number Keys |
| 4.3) Soften | 12) Open |
| 4.4) Popcorn | 13) Stop / Reset |
| 5) Defrost | 14) Close |

POWER LEVEL

10 power levels are available.

| LEVEL | POWER | DISPLAY |
|-------|-------|---------|
| 10 | 100% | PL-10 |
| 9 | 90% | PL-9 |
| 8 | 80% | PL-8 |
| 7 | 70% | PL-7 |
| 6 | 60% | PL-6 |
| 5 | 50% | PL-5 |
| 4 | 40% | PL-4 |
| 3 | 30% | PL-3 |
| 2 | 20% | PL-2 |
| 1 | 10% | PL-1 |

USING THE APPLIANCE

STANDBY

- 1) When the microwave oven is plugged into an outlet, the buzzer sounds once. Screen displays **WELCOME**. Then the oven turns into standby mode. The screen displays **00:00**.
- 2) In standby mode, the screen will display the current time if the clock has been set. Otherwise, **00:00** will display.
- 3) Press "OPEN" button to open the drawer, and screen displays **OPEN**.
- 4) Press "CLOSE" button to close the drawer, and the screen displays **CLOSE**. The screen will display the current time or "00:00" when the drawer is fully closed.



NOTE

During the drawer automatically opens by pressing the "OPEN" button, pressing the "OPEN" or "CLOSE" button will automatically stop opening the door, and then pressing the "OPEN" or "CLOSE" button again will open or close the oven door.

SETTING THE CLOCK

- 1) Press "CLOCK" once, and then the screen displays **12:00**.
- 2) Press the number buttons to enter the correct time. The input time should be between 1:00-12:59.
- 3) Press "CLOCK" or "START/ PAUSE" to finish the setting. ":" will flash.



NOTE

- 1) The clock is a 12-hour display.
- 2) To reset the clock, please repeat step 1 to step 3.
- 3) The clock can only be set in the standby mode.
- 4) In the process of clock setting, if the "CANCEL/ STOP" button is pressed or if there is no operation within 1 minute, the oven will go back to former setting automatically.

SETTING THE TIMER

- 1) Press "TIMER" once, the screen will display **00:00**.
- 2) Press the number buttons to enter the time. The maximum time value is 99:99.
- 3) Press "START/ PAUSE" or "TIMER" to confirm the setting. The time starts to count down.
- 4) When the kitchen time arrives, the buzzer will ring, and the screen will display **TIMER DONE**.



NOTE

- 1) The kitchen timer is different from 12-hour system. Timer is a timer.
- 2) In the process of Timer, pressing "TIMER" to cancel the timer.
- 3) In the process of setting the "Timer", pressing "STOP/RESET" to cancel it.
- 4) When the timer time arrives, the buzzer will ring, pressing "Timer" to turn it off.
- 5) Each one more press on "+30SEC." can increase the timer by 30 seconds.

MICROWAVE COOKING

- 1) Press "COOKING TIME" once, the screen will display : 0. Press number buttons to input the cooking time. The maximum time value is 99:99.
- 2) Press "POWER LEVEL" to set the power. The default power level is "PL-10". Press number buttons or press "POWER LEVEL" repeatedly to select power level.
- 3) Press "START/PAUSE" to start cooking. The cooking time begins to count down. When cooking finished, the buzzer will sounds and **FOOD IS READY** displays.



NOTE

- 1) Opening the oven door or pressing "START/PAUSE" during operation will interrupt the current mode.
- 2) The power level can be changed during operation. Press "Power" and then the current power will display for 5 seconds. Press number buttons or press "POWER LEVEL" button repeatedly to change the power. The oven will work with the selected power.

USING THE APPLIANCE

SPEEDY COOKING

- 1) In standby mode, instant cooking at 100% power level with 30 seconds cooking time can be started by pressing "+30SEC.". Each press on the same button will increase cooking time by 30 seconds. The maximum time value is 99:99.
- 2) During microwave, auto menu and defrost by time, "+30SEC." can be pressed to increase cooking time. Each press will increase 30 seconds.
- 3) In standby mode, instant cooking at 100% power level with 1 to 5 minutes cooking time can be started by pressing "1", "2", "3", "4", "5". The time begins to count down.



NOTE

"+30SEC." cannot be pressed to increase cooking time for defrost by weight cooking.

DEFROST BY WEIGHT

- 1) Press "DEFROST " once. The screen displays **WEIGHT**.
- 2) Press number buttons to input the weight to be defrosted. The input weight should be between 0.1-6.0 lbs.
- 3) Press "START/PAUSE" to start defrosting. The defrosting time begins to count down. Once defrosting has finished, the buzzer sounds and **FOOD IS READY** display.



NOTE

The buzzer will sound to remind you to turn the food over during defrosting.

DEFROST BY TIME

- 1) Press "DEFROST " twice. The screen displays **TIME**.
- 2) Press number buttons to input the time to be defrosted. The maximum time value is 99:99.
- 3) Press "START/PAUSE" to start defrosting. The defrosting time begins to count down. Once defrosting has finished, buzzer sounds and **FOOD IS READY** display.



NOTE

- 1) The buzzer will sound to remind you to turn the food over during defrosting.
- 2) The default defrosting power level is PL-3.

BEVERAGE

- 1) Press "BEVERAGE" once. The screen displays **1 CUP**.
- 2) Press number "1" or "2", or press "BEVERAGE" button repeatedly, **1 CUP** or **2 CUPS** will display in order.
- 3) Press "START/PAUSE" once to start cooking. The cooking time begins to count down. When cooking finished, the buzzer sounds and **FOOD IS READY** display.

POPCORN

- 1) Press "POPCORN" once. The screen displays **1 . 75 oz**.
- 2) Continue to press "POPCORN" button, **1 . 75 oz**, **3 . 0 oz** or **3 . 5 oz** will display in order.
- 3) Press "START/PAUSE" to start cooking. The cooking time begins to count down. When cooking finished, buzzer sounds and **FOOD IS READY** display.

MELT

- 1) Press "MELT" once. The screen displays **SELECT FOOD TYPE 1-4**
- 2) Press number "1", "2", "3", "4", or press "MELT" button repeatedly, **BUTTER**, **CHOCOLA**, **CHEESE** or **MARSHMA** will display in order.
- 3) Press "START/PAUSE" to confirm the selection.
- 4) Press "MELT" button or number "1", "2", "3" to select the weight.
- 5) Press "START/PAUSE" to start cooking. The cooking time begins to count down. When cooking finished, the buzzer sounds and **FOOD IS READY** display.

| MENU | DISPLAY | TIMES OF PRESSING | WEIGHT |
|-----------------------|----------------|-------------------|----------|
| Butter / Margarine | BUTTER | 1 | 1(STICK) |
| | | 2 | 2(STICK) |
| | | 3 | 3(STICK) |
| Chocolate | CHOCOLA | 1 | 4 oz |
| | | 2 | 8 oz |
| Cheese | CHEESE | 1 | 8 oz |
| | | 2 | 16 oz |
| Marshmal- lows | MARSHMA | 1 | 5 oz |
| | | 2 | 10 oz |

USING THE APPLIANCE

SOFTEN

- 1) Press "SOFTEN" once. The screen displays **SELECT FOOD TYPE 1-3**
- 2) Press number "1", "2", "3", or press "SOFTEN" repeatedly, **BUTTER**, **ICE-CRE** or **CHEESE** will display in order.
- 3) Press "START/PAUSE" to confirm the selection.
- 4) Press "SOFTEN" or number "1", "2", "3" to select the weight
- 5) Press "START/PAUSE" to start cooking. The cooking time starts to count down. When cooking finished, the buzzer sounds and **FOOD IS READY** display.

| MENU | DISPLAY | TIMES OF PRESSING | WEIGHT |
|-----------------------------|----------------|-------------------|----------|
| Butter | BUTTER | 1 | 1(STICK) |
| | | 2 | 2(STICK) |
| | | 3 | 3(STICK) |
| Ice cream / Frozen juice | ICE-CRE | 1 | 8 oz |
| | | 2 | 16 oz |
| | | 3 | 32 oz |
| Cream Cheese | CHEESE | 1 | 3 oz |
| | | 2 | 8 oz |

MUTE ON / OFF

- 1) Press "MUTE ON/OFF" once. The buzzer will beep. The screen displays **MUTE OFF**. And then buzzer will sound normally.
- 2) Press "MUTE ON/OFF" once. The buzzer will beep. The screen displays **MUTE ON**. And then no beep will sound.

CHILD LOCK

You can use this function to prevent children from accidentally turning the oven on. To activate the lock: In standby mode, press and hold "CHILD LOCK" for three seconds. A beep sounds and the locked icon will display. To deactivate the lock: In locked state, press and hold "CHILD LOCK" for three seconds. A beep sounds.

ECO FUNCTION

To enter ECO mode: In standby mode, the oven door is closed and there is no operation within 1 minute, and then the screen will turn off. To cancel ECO mode: In ECO mode, press any key, or open the door will cancel it.

INQUIRING FUNCTION

- 1) In cooking state, press "CLOCK" " button to check the clock. The current time will display until the button is released.
- 2) In the microwave cooking state, press "POWER LEVEL" button to inquire the microwave power. The current microwave power will display for 5 seconds.

MAINTENANCE

TROUBLESHOOTING

Check your problem by using the chart below and try the solutions for each problem. If the microwave oven still does not work properly, contact the nearest authorized service center.

| TROUBLE | POSSIBLE CAUSE | POSSIBLE REMEDY |
|-----------------------|--|--|
| Oven will not start | <ul style="list-style-type: none">a. Electrical cord for oven is not plugged in.b. Door is open.c. Wrong operation is set. | <ul style="list-style-type: none">a. Plug into the outlet.b. Close the door and try again.c. Check instructions. |
| Arcing or sparking | <ul style="list-style-type: none">a. Materials to be avoided in microwave oven were used.b. The oven is operated when empty.c. Spilled food remains in the cavity. | <ul style="list-style-type: none">a. Use microwave-safe cookware only.b. Do not operate with oven empty.c. Clean cavity with wet towel. |
| Unevenly cooked foods | <ul style="list-style-type: none">a. Materials to be avoided in microwave oven were used.b. Food is not defrosted completely.c. Cooking time, power level is not suitable.d. Food is not turned or stirred. | <ul style="list-style-type: none">a. Use microwave-safe cookware only.b. Completely defrost food.c. Use correct cooking time, power level.d. Turn or stir food. |
| Overcooked foods | Cooking time, power level is not suitable. | Use correct cooking time, power level. |
| Undercooked foods | <ul style="list-style-type: none">a. Materials to be avoided in microwave oven were used.b. Food is not defrosted completely.c. Oven ventilation ports are restricted.d. Cooking time, power level is not suitable. | <ul style="list-style-type: none">a. Use microwave-safe cookware only.b. Completely defrost food.c. Check to see that oven ventilation ports are not restricted.d. Use correct cooking time, power level. |
| Improper defrosting | <ul style="list-style-type: none">a. Materials to be avoided in microwave oven were used.b. Cooking time, power level is not suitable.c. Food is not turned or stirred. | <ul style="list-style-type: none">a. Use microwave-safe cookware only.b. Use correct cooking time, power level.c. Turn or stir food. |

CUSTOMER CARE

For any warranty information and service request, contact us:



In USA: <https://us.bertazzoni.com/more/support>

In CANADA: <https://ca.bertazzoni.com/more/support>

DU BUREAU DE NOTRE PRÉSIDENT

Cher nouveau propriétaire d'un appareil Bertazzoni,

Je tiens à vous remercier d'avoir choisi l'un de nos beaux produits pour votre maison.

Ma famille a commencé à fabriquer des appareils électroménagers en Italie en 1882, bâtissant une réputation de qualité d'ingénierie et de passion pour la bonne cuisine.

Aujourd'hui, nos produits se distinguent par leur mélange unique de design italien authentique et de technologie d'électroménager supérieure. Notre mission est de fabriquer des produits qui fonctionnent parfaitement et qui apportent de la joie à leurs propriétaires.

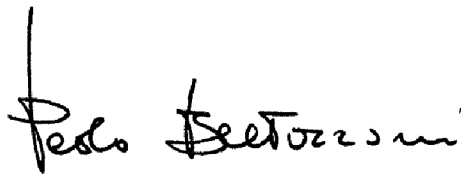
En fabriquant de beaux produits, nous répondons au goût de nos clients pour un joli design. En les rendant polyvalents et faciles à utiliser, cuisiner avec Bertazzoni devient un réel plaisir.

Ce manuel vous aidera à apprendre à utiliser et à entretenir votre appareil Bertazzoni de la manière la plus sûre et la plus efficace, afin qu'il puisse vous donner la plus grande satisfaction pour les années à venir.

Profitez !

Paolo Bertazzoni

Président

A handwritten signature in black ink that reads "Paolo Bertazzoni". The signature is written in a cursive, flowing style with a vertical line at the beginning.

VALIDITÉ DU MANUEL D'UTILISATION

Le manuel suivant concerne uniquement le code produit **MD24LX**.

SOMMAIRE

| | |
|---|----|
| INTRODUCTION ET AVERTISSEMENTS | 31 |
| LECTURE DU MANUEL | 31 |
| IDENTIFICATION DE L'APPAREIL | 31 |
| INSTRUCTIONS GÉNÉRALES DE SÉCURITÉ | 31 |
| MODÈLE ET EMPLACEMENT DU NUMÉRO DE SÉRIE | 31 |
| AVERTISSEMENTS RELATIFS À L'APPAREIL | 32 |
| INSTALLATION ET RACCORDEMENT | 33 |
| USTENSILES | 33 |
| SPÉCIFICATIONS | 35 |
| INTERFÉRENCE RADIO | 36 |
| MANUEL D'INSTALLATION | 37 |
| PIÈCES ET ACCESSOIRES | 37 |
| DÉBALLAGE DE VOTRE FOUR MICRO-ONDES TIROIR | 38 |
| REMARQUES IMPORTANTES À L'INTENTION DE L'INSTALLATEUR | 38 |
| REMARQUES IMPORTANTES À L'ATTENTION DU CONSOMMATEUR | 38 |
| INSTRUCTIONS DE SÉCURITÉ IMPORTANTES | 38 |
| DÉGAGEMENTS ET DIMENSIONS | 39 |
| EXIGENCES D'ESPACE LIBRE POUR L'INSTALLATION | 39 |
| INSTALLATION CLASSIQUE | 40 |
| MESURES DU FOUR MICRO-ONDES TIROIR | 41 |
| INSTALLATION ENCASTRÉE | 43 |
| BLOC ANTI-BASCULEMENT | 45 |
| ÉTAPES D'INSTALLATION NORMALES INSTRUCTIONS D'INSTALLATION DU BLOC ANTI-BASCULEMENT | 45 |
| PRISE ÉLECTRIQUE | 46 |
| INSTRUCTIONS POUR LA MISE À LA TERRE | 46 |
| UTILISATION DE L'APPAREIL | 47 |
| PANNEAU DE COMMANDE ET FONCTIONNALITÉS | 47 |
| NIVEAU DE PUISSANCE | 47 |
| STANDBY | 48 |
| RÉGLAGE DE L'HORLOGE | 48 |
| RÉGLAGE DE LA MINUTERIE | 48 |
| CUISSON AU MICRO-ONDES | 49 |
| VITESSE DE CUISSON | 49 |
| DÉCONGELER EN FONCTION DU POIDS | 49 |
| DÉCONGELER EN FONCTION DE LA DURÉE | 49 |
| BOISSON | 49 |
| POPCORN | 50 |
| FAIRE FONDRE LES ALIMENTS | 50 |
| RAMOLLIR | 50 |
| MUET ACTIVÉ/DÉSACTIVÉ | 50 |
| SÉCURITÉ ENFANT | 50 |
| FONCTION ECO | 51 |
| FONCTION DE DEMANDE D'INFORMATION | 51 |
| ENTRETIEN | 52 |
| DÉPANNAGE | 52 |
| SERVICE CLIENTÈLE | 53 |

INTRODUCTION ET AVERTISSEMENTS

LECTURE DU MANUEL

Ces instructions s'appliquent à différents types d'appareils. Elles peuvent donc contenir des descriptions de fonctions qui ne sont pas disponibles sur votre appareil, ou que celui-ci ne supporte pas.

Les images et illustrations du présent document se réfèrent à différents modèles et peuvent différer légèrement du produit acheté.

Le fabricant décline toute responsabilité en cas de blessures corporelles ou de dommages matériels résultant d'une installation incorrecte ou d'une mauvaise utilisation de l'appareil.

Le fabricant se réserve le droit d'apporter les modifications requises aux différents modèles afin de se conformer à la réglementation technique en vigueur.

En cas de réclamation, veuillez contacter le service client.

IDENTIFICATION DE L'APPAREIL

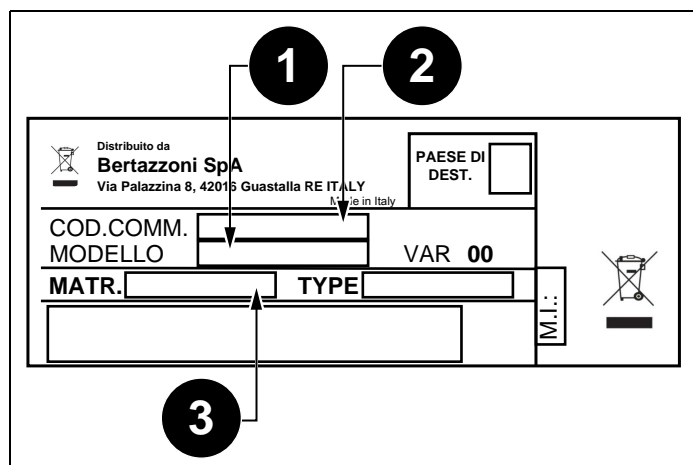


Fig. 1

La plaque signalétique contient les informations suivantes :

- 1 Modèle
- 2 Code de vente
- 3 Numéro de série

NOTE



Nous vous conseillons de noter les données et le numéro de série de l'appareil afin qu'ils soient immédiatement disponibles en cas de besoin.

NOTE



Indiquer les informations fournies sur la plaque signalétique afin d'améliorer l'efficacité des services après-vente et pièces de rechange.

INSTRUCTIONS GÉNÉRALES DE SÉCURITÉ

- Ne pas tenter de faire fonctionner le four avec la porte ouverte, ceci peut entraîner une exposition nocive à l'énergie des micro-ondes. Il est important de ne pas casser ni d'altérer les verrouillages de sécurité.
- Ne placer aucun objet entre la face avant du four et la porte et veiller à éliminer toutes les salissures ou résidus de produit nettoyant sur les surfaces d'étanchéité.
- Ne pas utiliser le four s'il est endommagé. Il est particulièrement important que la porte du four se ferme correctement et qu'il n'y ait pas de dommages aux éléments suivants :
 - 1) PORTE (pliée)
 - 2) CHARNIÈRES ET LOQUETS (cassés ou desserrés)
 - 3) JOINTS DE PORTE ET SURFACES D'ÉTANCHÉITÉ
- Le four doit être réglé ou réparé uniquement par un technicien d'entretien dûment qualifié.



MISE EN GARDE

Si la porte ou les joints de la porte sont endommagés, le four ne doit pas être utilisé tant qu'il n'est pas réparé par une personne compétente.

MODÈLE ET EMBLACEMENT DU NUMÉRO DE SÉRIE

La plaque signalétique comprend le modèle et le numéro de série. Ouvrir complètement le four micro-ondes tiroir. L'étiquette se trouve derrière la paroi arrière de la cavité du micro-ondes, face vers le haut par rapport à la surface plane.

INTRODUCTION ET AVERTISSEMENTS

AVERTISSEMENTS RELATIFS À L'APPAREIL

Lors de l'utilisation d'appareils électriques, il convient d'observer les précautions de sécurité de base, à savoir :



MISE EN GARDE

Pour réduire le risque de brûlures, de chocs électriques, d'incendie, de blessures corporelles ou d'exposition excessive à l'énergie des micro-ondes :

- 1) Lire toutes les instructions avant d'utiliser l'appareil.
- 2) Lire et suivre les recommandations fournies au paragraphe : *INSTRUCTIONS GÉNÉRALES DE SÉCURITÉ*
- 3) Cet appareil doit être relié à la terre. Brancher l'appareil uniquement à une prise correctement reliée à la terre.
- 4) Installer cet appareil en se conformant scrupuleusement aux instructions d'installation fournies.
- 5) Certains produits tels que les œufs entiers et les récipients scellés - par exemple, les bocaux en verre fermés - peuvent exploser et ne doivent pas être chauffés dans ce four.
- 6) Utiliser cet appareil uniquement pour l'usage auquel il est destiné, tel que décrit dans le manuel. Ne pas utiliser de produits chimiques ou de vapeurs corrosifs dans cet appareil. Ce type de four est spécialement conçu pour chauffer, cuire ou sécher des aliments. Il n'est pas conçu pour un usage industriel ou de laboratoire.
- 7) **LE CONTENU CHAUD PEUT PROVOQUER DE GRAVES BRÛLURES. NE PAS LAISSER LES ENFANTS UTILISER LE MICRO-ONDES.** Soyez prudent lorsque vous retirez les éléments chauds.
- 8) Ne pas utiliser cet appareil si le cordon ou la fiche sont abîmés, s'il ne fonctionne pas correctement ou s'il a été endommagé ou est tombé.
- 9) L'entretien de cet appareil est du ressort exclusif d'un technicien qualifié. Contacter le revendeur agréé le plus proche pour vérifier, réparer ou régler l'appareil.
- 10) Ne pas couvrir ou obstruer les ouvertures présentes sur l'appareil.
- 11) Ne pas ranger l'appareil à l'extérieur. Ne pas utiliser ce produit près de l'eau - par exemple, près d'un évier de cuisine, dans un sous-sol humide, près d'une piscine ou d'un endroit similaire.
- 12) Ne pas immerger le cordon ou la fiche dans l'eau.
- 13) Tenir le cordon éloigné de la surface chauffée.
- 14) Éviter de laisser pendre le cordon par-dessus le bord de la table ou du plan de travail.
- 15) Pour le nettoyage des surfaces de la porte et du four entrant en contact lors de la fermeture de la porte, utiliser uniquement des détergents doux et non abrasifs, ou appliquer le détergent à l'aide d'une éponge ou d'un chiffon doux.

- 16) Pour réduire le risque d'incendie dans la cavité du four :
 - 16.1) Éviter de laisser cuire les aliments trop longtemps. Surveiller l'appareil lorsque du papier, du plastique ou d'autres matières combustibles sont placés à l'intérieur du four pour faciliter la cuisson.
 - 16.2) Retirer les attaches métalliques du sac en papier ou en plastique avant de le placer dans le four.
 - 16.3) Si du matériel à l'intérieur du four s'enflamme, garder la porte du four fermée, éteindre le four et débrancher le cordon d'alimentation ou couper l'alimentation au niveau du fusible ou du panneau de disjoncteur.
 - 16.4) Ne pas utiliser la cavité du four à des fins de stockage. Ne pas laisser dans le four des matériaux en papier, des ustensiles de cuisine ou des aliments lorsque le four n'est pas utilisé.
- 17) Les liquides, tels que l'eau, le café ou le thé, peuvent être surchauffés au-delà du point d'ébullition sans qu'une ébullition soit visible. Les bulles indiquant que le liquide est en ébullition peuvent ne pas apparaître lorsque le récipient est retiré du four à micro-ondes.

L'ÉBULLITION SOUDAINE D'UN LIQUIDE TRÈS CHAUD POURRAIT SE PRODUIRE LORSQUE LE RÉCIPIENT EST SECOUÉ OU QU'UN USTENSILE EST INSÉRÉ DANS LE LIQUIDE.

Pour réduire le risque de blessures corporelles :

- 17.1) Ne pas surchauffer le liquide.
- 17.2) Remuer le liquide avant de le chauffer et à la moitié du temps de chauffage.
- 17.3) Ne pas utiliser de récipients à bord droit et col étroit.
- 17.4) Après chauffage, laisser le récipient reposer dans le four à micro-ondes pendant une courte période avant de le retirer de l'appareil.
- 17.5) Insérer une cuillère ou tout autre ustensile dans le récipient avec prudence.
- 18) N'utiliser aucun appareil de chauffage ou de cuisson en dessous de l'appareil.
- 19) Ne pas monter l'appareil au-dessus ou à proximité d'une partie de l'appareil de chauffage ou de cuisson.
- 20) Ne pas le monter au-dessus d'un évier.
- 21) Ne rien ranger directement en fonctionnement.
- 22) Ne pas couvrir les grilles ou toute autre partie du four avec du papier d'aluminium. Cela provoquerait une surchauffe du four.



DANGER

Risque de choc électrique Toucher certains composants internes peut causer des blessures graves ou la mort. Ne pas démonter cet appareil.

INTRODUCTION ET AVERTISSEMENTS



MISE EN GARDE

Risque de choc électrique Une mauvaise utilisation de la mise à la terre peut entraîner un choc électrique. Ne pas brancher la fiche tant que l'appareil n'est pas correctement installé et mis à la terre.

Cet appareil doit être relié à la terre. En cas de court-circuit électrique, la mise à la terre réduit le risque de choc électrique en fournissant une déviation du courant électrique vers le sol. Cet appareil est équipé d'un cordon doté d'un fil de mise à la terre et d'une fiche de mise à la terre. La fiche doit être branchée sur une prise correctement installée et mise à la terre.

Consulter un électricien ou un technicien qualifié si les instructions de mise à la terre ne sont pas complètement comprises ou s'il existe un doute quant à savoir si l'appareil est correctement mis à la terre. S'il est nécessaire d'utiliser une rallonge, utiliser uniquement une rallonge à 3 fils.

- Un cordon d'alimentation court est fourni pour réduire les risques d'emmêlement ou de trébuchement sur un cordon plus long.
- Si un long cordon ou une rallonge est utilisé :
 - 1) La puissance électrique indiquée sur le cordon ou la rallonge doit être au moins aussi élevée que la puissance électrique de l'appareil.
 - 2) La rallonge doit être un cordon de type mise à la terre à 3 fils.
 - 3) Le cordon long doit être disposé sur le plan de travail de manière à éviter que des enfants tirent dessus ou trébuchent involontairement sur celui-ci.



MISE EN GARDE

Une mauvaise utilisation de la mise à la terre peut entraîner un risque de choc électrique.

INSTALLATION ET RACCORDEMENT

- 1) Cet appareil est uniquement destiné à un usage domestique.
- 2) Ce four est destiné à un usage encastrable uniquement. Il n'est pas destiné à être utilisé sur un comptoir ou à l'intérieur d'une armoire.
- 3) Veuillez respecter les instructions de montage spéciales.
- 4) L'appareil peut être installé dans un placard mural de 60 cm de large.
- 5) L'appareil est équipé d'une fiche et doit être branché uniquement à une prise de terre correctement installée.
- 6) La tension du secteur doit correspondre à la tension indiquée sur la plaque signalétique.
- 7) La prise doit être installée et le câble de raccordement doit être remplacé uniquement par un électricien qualifié. Si la fiche n'est plus accessible après l'installation, il doit y avoir un dispositif de coupure omnipolaire du côté de l'installation avec un espace de contact d'au moins 3 mm.
- 8) Ne pas utiliser d'adaptateurs, de multiprises ni de rallonges. Une surcharge peut entraîner un risque d'incendie.
- 9) Ne pas utiliser en dessous du plan de travail et non soumis à des déversements de conteneurs sur les surfaces sous lesquelles l'appareil est installé.



MISE EN GARDE

La surface accessible peut être chaude pendant et après l'opération.

USTENSILES

Voir les instructions sur Tableau 1 *MATÉRIAUX ADAPTÉS POUR LA CUISSON AU MICRO-ONDES* et Tableau 2 *MATÉRIAUX À ÉVITER DANS LE FOUR À MICRO-ONDES*. Il peut y avoir des ustensiles non métalliques qu'il vaut mieux ne pas utiliser dans un four à micro-ondes. En cas de doute, il est possible de tester l'ustensile en question en suivant la procédure ci-dessous.

TEST D'USTENSILE :

- 1) Remplir un récipient allant au micro-ondes avec 1 tasse d'eau froide (250 ml) avec l'ustensile en question.
- 2) Cuire à la puissance maximale pendant 1 minute.
- 3) Toucher délicatement l'ustensile. Si l'ustensile vide est chaud, ne pas l'utiliser pour la cuisson au micro-ondes.
- 4) Ne pas dépasser 1 minute de cuisson.



ATTENTION !

Risque de blessures corporelles

Des ustensiles hermétiques pourraient exploser. Les récipients fermés doivent être ouverts et les sachets en plastique doivent être percés avant la cuisson.

INTRODUCTION ET AVERTISSEMENTS

Tableau 1 MATÉRIAUX ADAPTÉS POUR LA CUISSON AU MICRO-ONDES

| USTENSILES | REMARQUES |
|--------------------------------------|--|
| Plat brunisseur | Suivre les instructions du fabricant. La base du plat brunisseur doit être d'au moins 3/16" (5 mm) au-dessus de la plaque tournante. Une utilisation incorrecte peut provoquer la rupture du plateau tournant. |
| Vaisselle | N'utiliser que des ustensiles allant au micro-ondes uniquement. Suivre les instructions du fabricant. Ne pas utiliser de vaisselle fêlée ou ébréchée. |
| Bocaux en verre | Toujours retirer le couvercle. Utiliser uniquement pour chauffer les aliments jusqu'à ce qu'ils soient juste tièdes. La plupart des bocaux en verre ne sont pas résistants à la chaleur et peuvent se briser. |
| Verrerie | N'utiliser que des objets en verre qui résistent à la chaleur du four. S'assurer de l'absence de toute garniture métallique. Ne pas utiliser de vaisselle fêlée ou ébréchée. |
| Poches de cuisson au four | Suivre les instructions du fabricant. Ne pas fermer avec une attache métallique. Pratiquer des fentes pour permettre à la vapeur de s'échapper. |
| Assiettes et tasses en carton | À utiliser uniquement pour cuire ou réchauffer brièvement. Ne jamais laisser le four sans surveillance quand il est en cours d'utilisation. |
| Serviettes en papier | À utiliser pour couvrir les aliments qui sont réchauffés et absorber la graisse. À utiliser sous surveillance uniquement pour un cuisson courte |
| Papier sulfurisé | À utiliser pour couvrir, afin d'éviter les éclaboussures ou pour envelopper un produit cuit à la vapeur. |
| Plastique | N'utiliser que des ustensiles allant au micro-ondes uniquement. Suivre les instructions du fabricant. Ne l'utiliser que s'il est étiqueté « Va au micro-ondes ». Certains récipients en plastique se ramollissent au fur et à mesure que les aliments qu'ils contiennent chauffent. Les « sachets de cuisson » et les sachets en plastique scellés doivent être fendus, percés ou aérés, tel qu'indiqué sur l'emballage. |
| Emballage plastique | N'utiliser que des ustensiles allant au micro-ondes uniquement. Utiliser pour couvrir les aliments pendant la cuisson pour retenir l'humidité. L'emballage en plastique ne doit pas être au contact des aliments. |
| Thermomètres | N'utiliser que s'il est considéré comme sécuritaire pour l'utilisation au micro-ondes (p. ex. les thermomètres à viande et à sirop). |
| Papier paraffiné | À utiliser pour couvrir, afin d'éviter les éclaboussures ou pour retenir l'humidité. |

INTRODUCTION ET AVERTISSEMENTS

Tableau 2 MATÉRIAUX À ÉVITER DANS LE FOUR À MICRO-ONDES

| USTENSILES | REMARQUES |
|--|---|
| Plateau en aluminium | Peut être source d'étincelles. Utiliser un plat pouvant aller au micro-ondes à la place, |
| Boîte en carton pour produits alimentaires avec poignée en métal | Peut être source d'étincelles. Utiliser un plat pouvant aller au micro-ondes à la place, |
| Métal ou ustensiles à rebords métalliques | Les métaux isolent les aliments de l'énergie micro-ondes. La bordure de métal peut être source d'étincelles. |
| Attaches métalliques | Peut être source d'étincelles et provoquer un incendie dans le four. |
| Sachets en papier | Les sachets en papier peuvent provoquer un incendie dans le four |
| Mousse plastique | La mousse plastique peut fondre ou contaminer le liquide à l'intérieur quand elle est exposée à des températures élevées. |
| Bois | Le bois sèche quand il est utilisé dans le four à micro-ondes et peut se fractionner ou se fissurer. |

SPÉCIFICATIONS

| MODÈLE | MD24LX |
|--------------------|---------------|
| Tension nominale | 120 VCA/60 Hz |
| Entrée micro-ondes | 1500 W |
| Sortie micro-ondes | 1000 W |

INTRODUCTION ET AVERTISSEMENTS

INTERFÉRENCE RADIO

- 1) Le fonctionnement du four à micro-ondes peut causer des interférences à votre radio, téléviseur ou équipement similaire.
- 2) Lorsqu'il y a interférence, celle-ci peut être réduite ou éliminée en prenant les mesures suivantes :
 - 2.1) Nettoyer la porte et la surface d'étanchéité du four
 - 2.2) Réorienter l'antenne de réception de la radio ou de la télévision.
 - 2.3) Déplacer le four à micro-ondes par rapport au récepteur.
 - 2.4) Éloigner le four à micro-ondes du récepteur.
 - 2.5) Brancher le four à micro-ondes dans une autre prise afin que le four à micro-ondes et le récepteur soient sur des circuits de dérivation différents.
- 3) Cet équipement génère des utilisations et peut émettre de l'énergie de radiofréquence et, s'il n'est pas installé et utilisé conformément aux instructions, il peut causer des interférences nuisibles aux communications radio. Aucune garantie ne peut cependant être donnée quant à l'absence d'interférences pour une installation donnée. Si cet équipement cause des interférences nuisibles à la réception radio ou télévision, ce qui peut être déterminé en éteignant et en rallumant l'équipement, l'utilisateur est encouragé à essayer de corriger l'interférence par une ou plusieurs des mesures suivantes :
 - 3.1) Réorienter ou déplacer l'antenne de réception.
 - 3.2) Augmenter la distance entre l'équipement et le récepteur.
 - 3.3) Brancher l'équipement à une prise sur un circuit différent de celui auquel le récepteur est connecté.
 - 3.4) Consulter le revendeur ou un technicien radio/TV expérimenté afin d'obtenir de l'aide.

Cet appareil est conforme à la partie 18 des règles de la FCC.

PIÈCES ET ACCESSOIRES

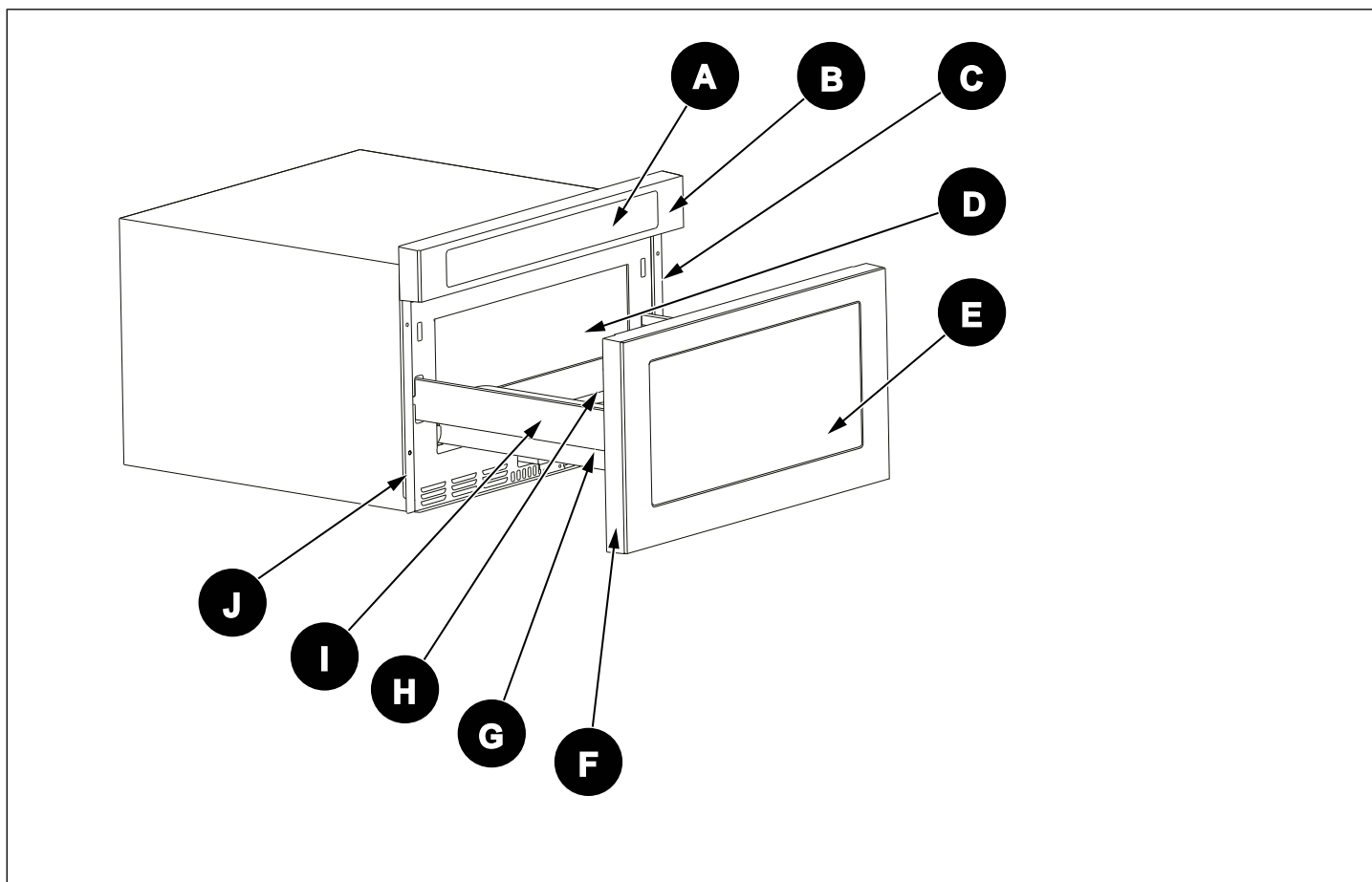


Fig. 2

ALIMENT

| | |
|---|---------------------------------|
| A | Bandeau de commande |
| B | Boîtier De Contrôle |
| C | Plaque de montage droite |
| D | Cavité |
| E | Fenêtre d'observation |
| F | Cadre de porte |
| G | Putter automatique |
| H | Tiroir |
| I | Panneau de jonction à charnière |
| J | Plaque de montage gauche |

(*) À utiliser uniquement pour la fonction de décongélation et non pour la cuisson. N'utilisez pas sans nourriture

DÉBALLAGE DE VOTRE FOUR MICRO-ONDES TIROIR

- Retirez tous les matériaux d'emballage de l'intérieur du four micro-ondes tiroir. **NE PAS RETIRER LE COUVERCLE DU GUIDE D'ONDES**, situé sur le dessus du four micro-ondes tiroir.
- Retirez l'autocollant de fonction, le cas échéant. Vérifiez que le tiroir ne présente aucun dommage, tel qu'un tiroir mal aligné ou plié, des joints de tiroir et des surfaces d'étanchéité endommagés, des guides de four micro-ondes tiroir cassés ou desserrés et des bosses à l'intérieur de la cavité ou sur la face avant du tiroir. En cas de dommage, n'utilisez le four micro-ondes tiroir et contactez votre revendeur ou le **SERVICE CLIENTÈLE BERTAZZONI**.

REMARQUES IMPORTANTES À L'INTENTION DE L'INSTALLATEUR

- Lisez l'intégralité du manuel d'installation avant d'installer le four micro-ondes tiroir.
- Retirez tout le matériel d'emballage avant de brancher l'appareil.
- Respectez tous les codes et règlements locaux.
- Assurez-vous de laisser ces instructions au consommateur.

REMARQUES IMPORTANTES À L'ATTENTION DU CONSOMMATEUR

Conservez ce manuel avec votre manuel d'utilisation pour référence ultérieure.

- Comme pour tout four à micro-ondes générant de la chaleur, vous devez respecter certaines précautions de sécurité. Celles-ci sont répertoriées dans le manuel d'utilisation. Lisez-les toutes et suivez-les attentivement.
- Assurez-vous que votre four micro-ondes tiroir est correctement installé et mis à la terre par un installateur ou un technicien de service qualifié.

INSTRUCTIONS DE SÉCURITÉ IMPORTANTES



MISE EN GARDE

Si vous ne respectez pas à la lettre les informations contenues dans ce manuel, il pourrait y avoir un incendie ou un choc électrique, ce qui entraînerait des dommages matériels, des blessures corporelles ou la mort.



MISE EN GARDE

Pour réduire le risque de basculement, le four micro-ondes tiroir doit être fixé par un bloc anti-basculement correctement installé.

- Ce four micro-ondes tiroir doit être mis à la terre électriquement conformément à la législation locale.
- Assurez-vous que les revêtements muraux et les armoires autour du four micro-ondes tiroir peuvent résister à la chaleur générée par le four micro-ondes tiroir.



MISE EN GARDE

Ne laissez jamais les enfants seuls ou sans surveillance dans la zone où un four micro-ondes tiroir est utilisé. Ne laissez jamais le tiroir ouvert lorsque le micro-ondes est sans surveillance.



MISE EN GARDE

Monter, s'appuyer ou s'asseoir sur le tiroir peut entraîner des blessures graves et peut également endommager le four micro-ondes tiroir.

- **N'utilisez pas le four micro-ondes tiroir comme espace de rangement.** Cela crée une situation potentiellement dangereuse.
- Vérifiez que l'heure du jour est affichée. Si tel n'est pas le cas, appuyez sur Arrêter/Effacer pour éviter toute utilisation involontaire.

DÉGAGEMENTS ET DIMENSIONS

Pour DES CONSIDÉRATIONS DE SÉCURITÉ, n'installez pas de tiroir dans une armoire combustible qui n'est pas conforme aux dégagements et dimensions indiqués présentés dans *MESURES TIROIR MICRO-ONDES BLOC ANTI-BASCULEMENT PRISE ÉLECTRIQUE MESURES DU FOUR MICRO-ONDES TIROIR BLOC ANTI-BASCULEMENT PRISE ÉLECTRIQUE*

- Les dimensions indiquées sur la Fig. 4 doivent être utilisées. Les dimensions indiquées fournissent un espace libre minimum. Localisez la prise électrique dans la zone ombrée dans le coin supérieur gauche de la découpe. Fig. 4
- La surface de contact doit être solide et plane. Portez une attention particulière au sol sur lequel le four micro-ondes tiroir sera posé. Le plancher de l'ouverture doit être construit en contreplaqué suffisamment solide pour supporter le poids du four (environ 100 pounds).
- Vérifiez l'emplacement où le four micro-ondes tiroir sera installé pour une alimentation électrique appropriée.
- Votre four peut être encastré dans une armoire ou un mur seul ou en dessous d'un four mural à gaz ou électrique.
- Assurez-vous que l'espace libre entre le four mural et le four micro-ondes tiroir est d'au moins 2 pouces.
- L'intérieur du micro-ondes peut facilement accueillir un plat oblong de 9" x 13" ou un sac de maïs soufflé pour micro-ondes.

EXIGENCES D'ESPACE LIBRE POUR L'INSTALLATION

Lors de l'installation du four micro-ondes tiroir dans un comptoir, respectez les dimensions d'espacement recommandées indiquées. Les dimensions indiquées fournissent un espace libre minimum.

Le tiroir à micro-ondes peut être intégré dans une armoire, un mur autonome ou sous un four mural à gaz ou électrique, où une installation standard et une installation encastrée sont disponibles. L'installation standard est une installation debout.

Assurez-vous que l'espace libre au sol entre le four mural et le four micro-ondes tiroir est d'au moins 2".

Le cordon d'alimentation est situé à l'arrière de l'appareil et a une longueur de 51-1/8" pour s'adapter à plusieurs emplacements de prise, y compris l'installation dans une armoire adjacente. Le trou d'accès au cordon d'alimentation doit être un trou d'au moins 1-1/2" de diamètre et sans arêtes vives.

La surface de contact doit être solide et plane. Le plancher de l'ouverture doit être construit en contreplaqué suffisamment solide pour supporter le poids du four (environ 100 lbs).

Ce four micro-ondes tiroir peut être entièrement intégré aux meubles et ne nécessite aucun espace libre supplémentaire en plus de ce qui est référencé ci-dessous.

INSTALLATION CLASSIQUE

Veillez suivre attentivement les instructions ci-dessous pour installer correctement le four micro-ondes tiroir grâce à une installation classique. L'installation classique entraînera une légère saillie de la porte du meuble.

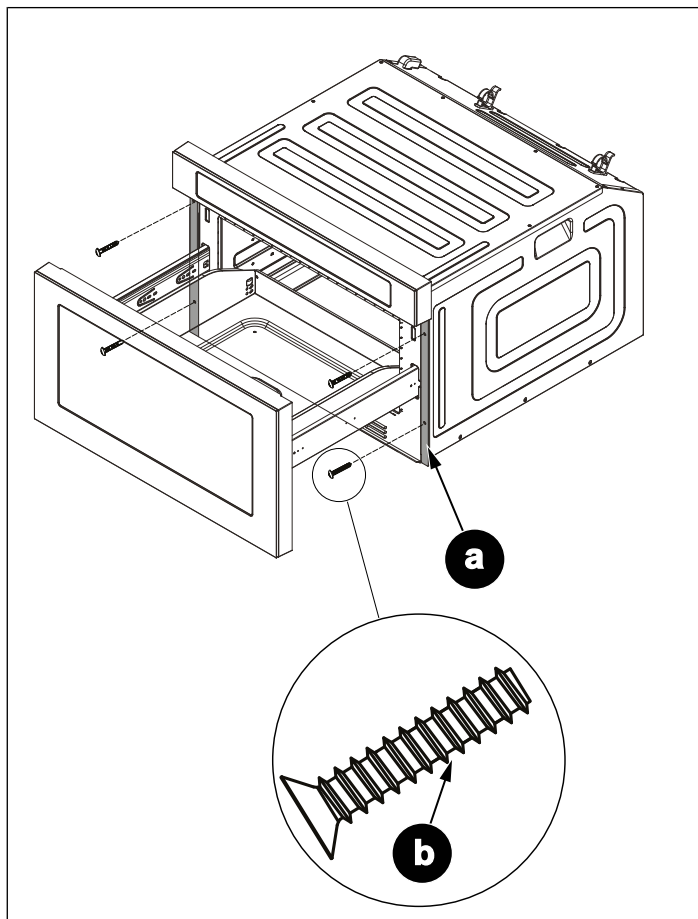


Fig. 3

- 1) Placez le four micro-ondes tiroir à proximité du mur ou de l'ouverture du meuble. Branchez le câble d'alimentation dans la prise électrique.
- 2) Guidez soigneusement le four micro-ondes tiroir dans l'ouverture préparée. Évitez de pincer le câble d'alimentation entre le four micro-ondes tiroir et le mur.
- 3) Faites glisser le tiroir à micro-ondes jusqu'à ce que la bride de montage (Fig. 3 a) soit au ras de la face de l'armoire.
- 4) Ouvrez le four micro-ondes tiroir. Utilisez les 4 trous du four micro-ondes tiroir pour guider le pré-perçage du meuble à l'aide d'un foret de 1/16". Reportez-vous à Fig. 3.
- 5) Fixez le tiroir avec (4) vis à tête fraisée Philip M4*16-F. Reportez-vous à (Fig. 3 b).

MESURES DU FOUR MICRO-ONDES TIROIR

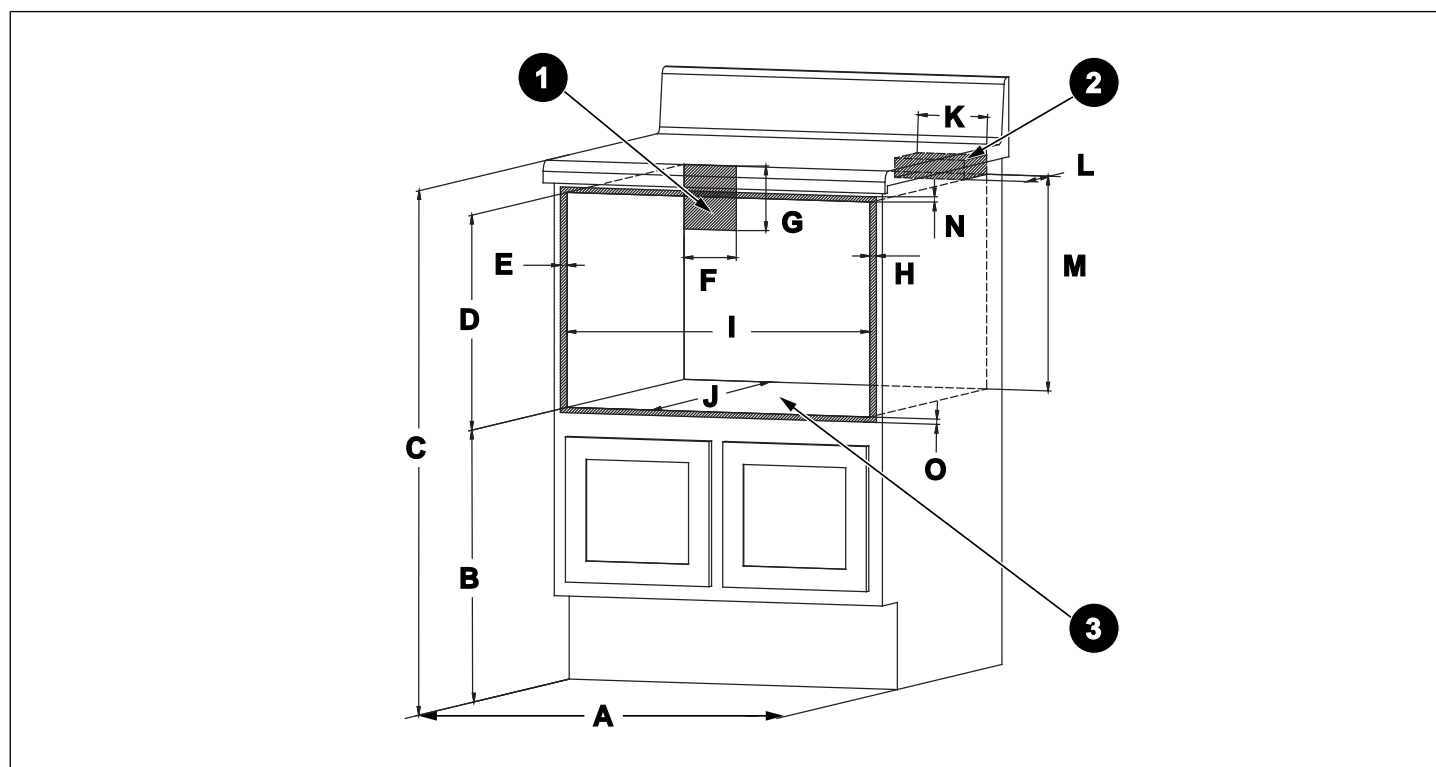


Fig. 4

- 1 Emplacement suggéré pour la prise électrique
- 2 Bloc anti-basculement
- 3 Le flotteur doit supporter 100 lbs

| CATÉGORIE | MESURE | DESCRIPTION |
|-----------|-----------|--|
| A | 24" | min armoire |
| B | 19" | jusqu'au sol |
| C | 36" | hauteur du plan de travail |
| D | 14 3/4" | ouverture |
| E | 7/8" | permet le chevauchement |
| F | 4" | Largeur suggérée pour l'emplacement de la prise électrique |
| G | 5" | Profondeur de l'emplacement suggéré pour la prise électrique |
| H | 7/8" | permet le chevauchement |
| I | 22 1/8" | ouverture |
| J | 23 1/2" | profondeur min |
| K | 6" | largeur du bloc anti-basculement |
| L | 3 1/2" | profondeur du bloc anti-basculement |
| M | 14 13/16" | jusqu'au bas du bloc anti-basculement |
| N | 1 3/16" | permet le chevauchement |
| O | 7/16" | permet le chevauchement |

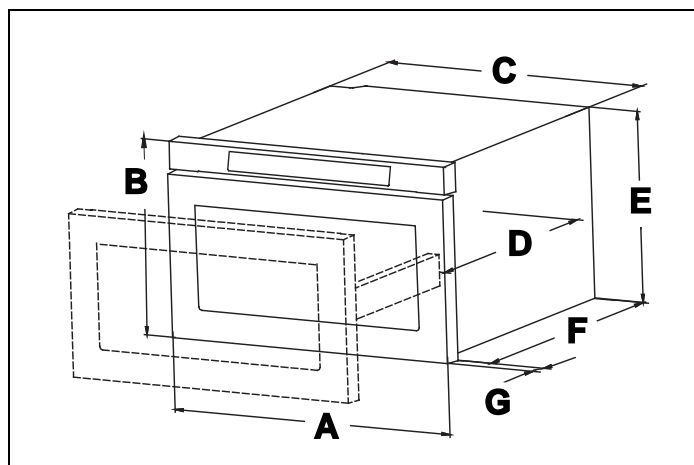


Fig. 5

| CATÉGORIE | MESURE | DESCRIPTION |
|-----------|---------|---------------------------------|
| A | 23 5/8" | |
| B | 16" | |
| C | 21 5/8" | |
| D | 15" | ouverture automatique du tiroir |
| E | 14 5/8" | |
| F | 21 5/8" | |
| G | 1 1/2" | épaisseur de la porte |

Fig. 4 et Fig. 5 contiennent de nombreuses mesures du four micro-ondes tiroir pour référence lors de la planification de l'emplacement du tiroir. Ce four micro-ondes tiroir peut être installé en dessous de n'importe quel four mural électrique ou à gaz. *Peut également être installé à l'aide d'une prise électrique dans une armoire adjacente dans la zone où le cordon électrique fourni peut atteindre. Le trou d'accès au cordon d'alimentation dans l'armoire doit avoir un diamètre minimum de 1 1/2 po et être dépourvu de tous bords tranchants.



REMARQUE IMPORTANTE

Laissez toujours suffisamment de longueur de cordon d'alimentation jusqu'à la prise électrique pour éviter toute tension. Vérifiez toujours les exigences des normes électriques.

INSTALLATION ENCASTRÉE

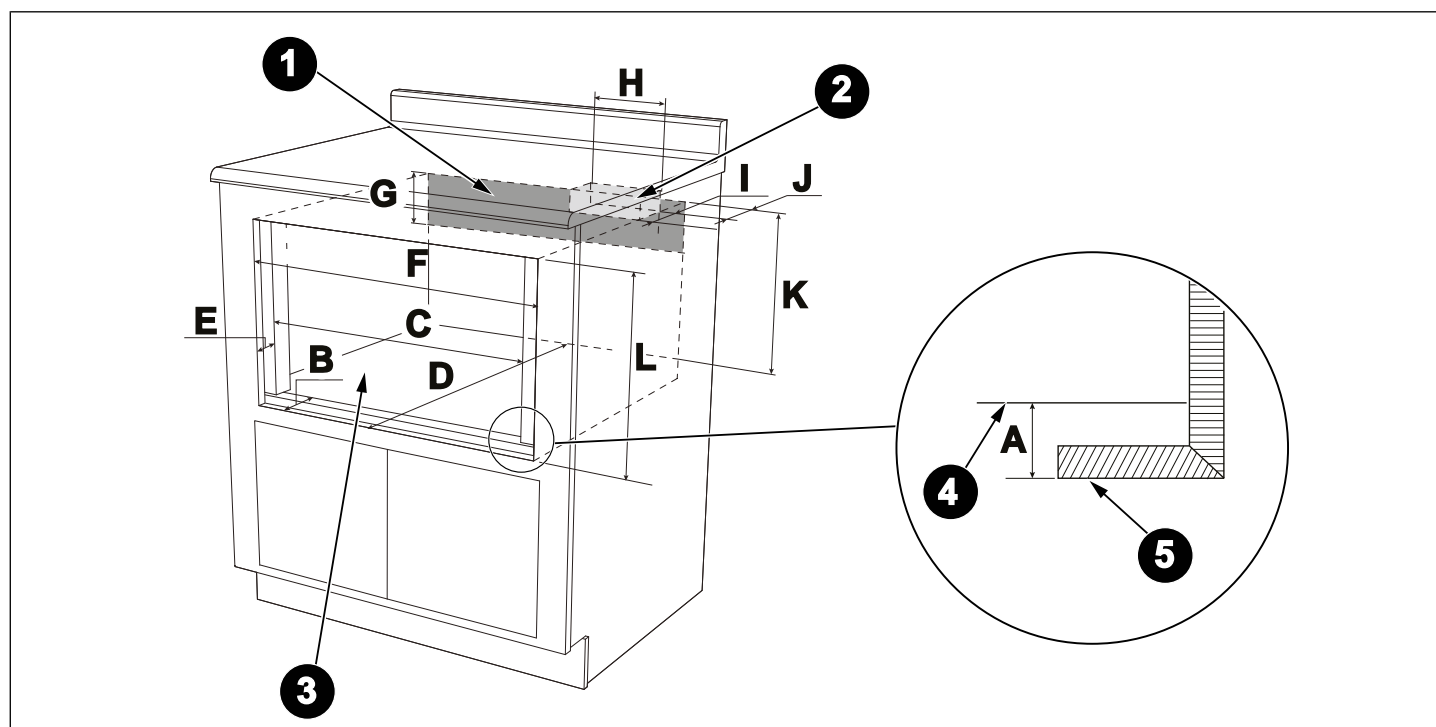


Fig. 6

- 1) Emplacement suggéré pour la prise électrique
- 2) Bloc anti-basculement
- 3) Le flotteur doit supporter 100 lbs
- 4) Face de l'étagère
- 5) Face de l'armoire



NOTE

La face de l'étagère doit être située à 1 7/8" derrière la face de l'armoire.

| CATÉGORIE | MESURE | DESCRIPTION |
|-----------|-----------------------------|--|
| A | 2" | |
| B | 2" | |
| C | 22" | |
| D | 23 5/8" | profondeur min |
| E | 1 1/2" | permet le chevauchement |
| F | min. 24 1/8" max 24 1/2" | largeur d'ouverture |
| G | 5" | Profondeur de l'emplacement suggéré pour la prise électrique |
| H | 6" | largeur du bloc anti-basculement |
| I | 3 1/2" | profondeur du bloc anti-basculement |
| J | 4" | |
| K | 14 13/16" | jusqu'au bas du bloc anti-basculement |
| L | 18" | hauteur d'ouverture |

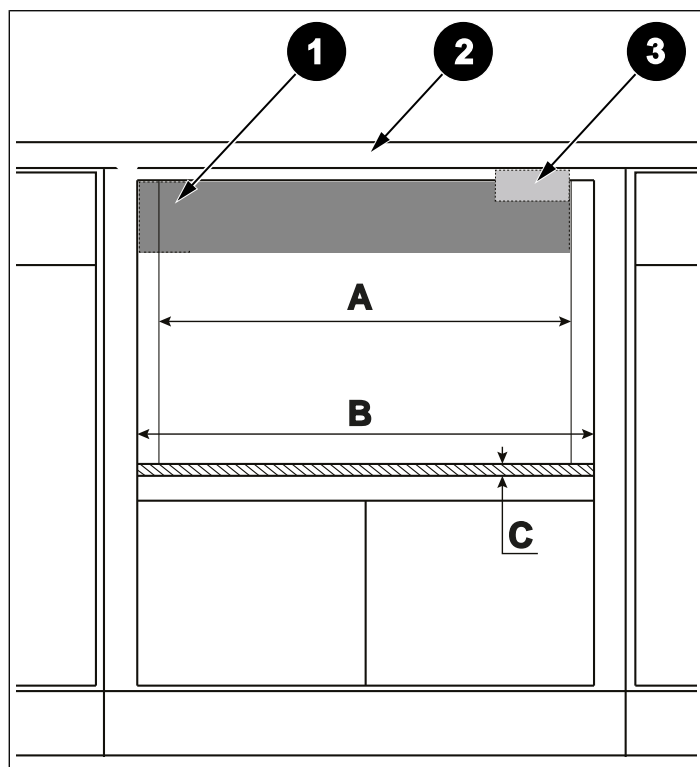


Fig. 7 Vue avant

- 1 Emplacement suggéré pour la prise électrique
- 2 Pas de Four
- 3 Bloc anti-basculement

| CATÉGORIE | MESURE | DESCRIPTION |
|-----------|-------------------------------|---------------------------------|
| A | 22" | largeur d'ouverture de montage |
| B | min. 24 3/16" max. 24 1/2" | largeur d'ouverture affleurante |
| C | 3/4" | grille |

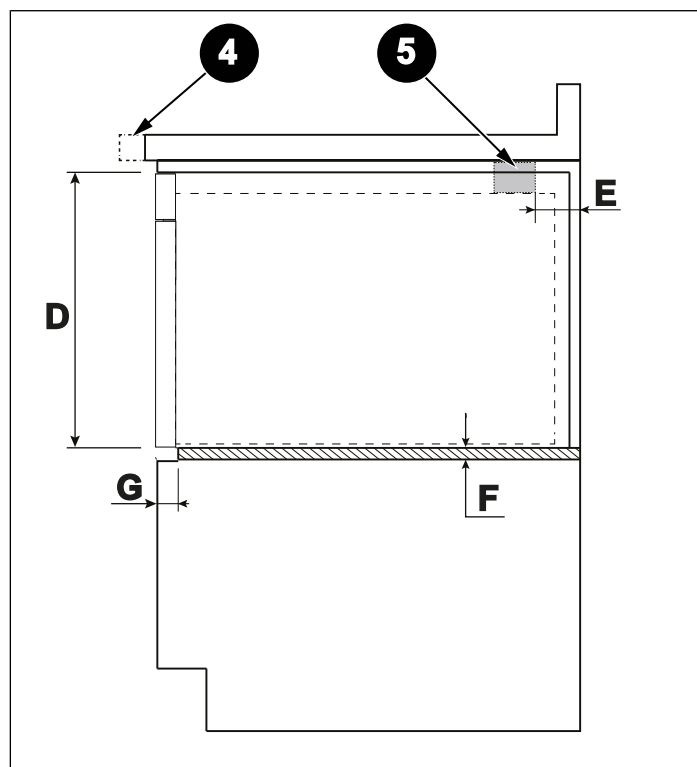


Fig. 8 Vue latérale

- 1 Déplacez l'emplacement ouvert vers le bas pour étendre les plans de travail et obtenir un meilleur angle de vue
- 2 Bloc anti-basculement

| CATÉGORIE | MESURE | DESCRIPTION |
|-----------|---------|---------------------------------|
| D | 16 1/8" | hauteur d'ouverture affleurante |
| G | 2" | |
| F | 3/4" | grille |
| E | 2" | |

Veillez suivre attentivement les instructions ci-dessous pour installer correctement le four micro-ondes tiroir au ras de l'armoire.

- 1) Préparez l'ouverture de l'armoire comme indiqué dans Fig. 6 .
- 2) Placez le four micro-ondes tiroir à côté du mur ou de l'armoire. Branchez le cordon d'alimentation dans la prise électrique. Le cordon d'alimentation peut également être installé à l'aide d'une prise électrique dans une armoire adjacente.
- 3) Enroulez (sans attacher) une ficelle de 36 " autour du cordon d'alimentation avant de glisser le tiroir en place. Cette ficelle empêchera le cordon de tomber derrière le tiroir.

- 4) Soulevez le four micro-ondes tiroir dans la découpe de l'armoire en utilisant l'ouverture comme poignée. Guidez soigneusement le four micro-ondes tiroir dans l'ouverture préparée.
- 5) Lorsque le four micro-ondes tiroir est glissé vers l'arrière, tirez sur la ficelle de manière à ce que le cordon repose sur le dessus du tiroir dans une boucle naturelle et évitez de pincer le cordon entre le tiroir et le mur.
- 6) Une fois le cordon retiré, faites glisser le tiroir aux 3/4 dans l'ouverture. Retirez la ficelle en tirant sur une extrémité de la boucle.
- 7) Faites glisser le four micro-ondes tiroir jusqu'à ce que les brides de montage soient au ras de la face de l'armoire.
- 8) Ouvrez le four micro-ondes tiroir. Utilisez les 4 trous du four micro-ondes tiroir pour guider le pré-perçage de l'armoire à l'aide d'un foret de 1/16". Reportez-vous à Fig. 3 .
- 9) Fixez le tiroir avec (4) vis à tête fraisée Philip M4*16-F.

BLOC ANTI-BASCULEMENT

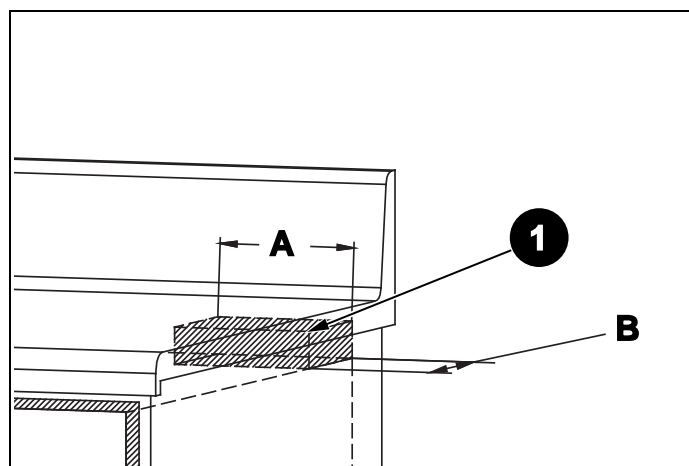


Fig. 9

1) Bloc anti-basculement

| CATÉGORIE | MESURE | DESCRIPTION |
|-----------|--------|--------------|
| A | 6" | min armoire |
| B | 3 1/2" | jusqu'au sol |

ÉTAPES D'INSTALLATION NORMALES INSTRUCTIONS D'INSTALLATION DU BLOC ANTI-BASCULEMENT

Pour réduire le risque de basculement du tiroir, le bloc anti-basculement doit être correctement installé à 14-13/16 pouces au-dessus du sol sur lequel le four micro-ondes tiroir sera posé. Le bloc anti-basculement de 6 pouces doit être fourni par l'installateur. Fig. 4 et Fig. 9 . Le bloc anti-basculement évite les blessures graves qui pourraient résulter de liquides chauds renversés.

Si le four micro-ondes tiroir est déplacé vers un autre emplacement, le bloc anti-basculement doit également être déplacé et installé. Lors de l'installation au mur, assurez-vous que les vis pénètrent complètement dans la cloison sèche et sont fixées dans du bois ou du métal afin que le bloc soit totalement stable. Lors de la fixation, assurez-vous que les vis ne pénètrent pas dans le câblage électrique ou la plomberie.

PRISE ÉLECTRIQUE

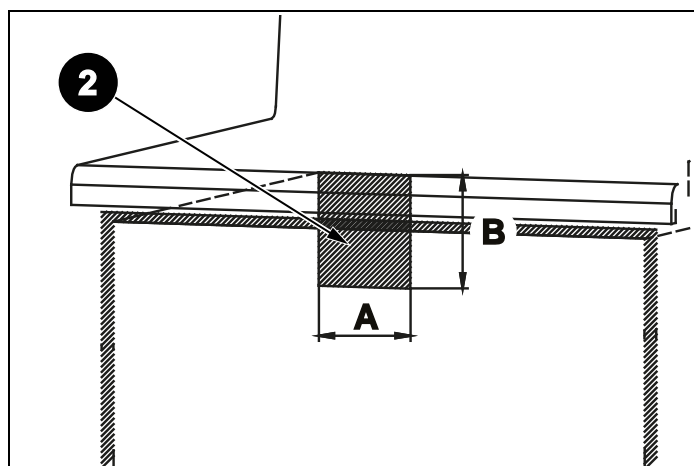


Fig. 10

2) Emplacement suggéré pour la prise électrique

| CATÉGORIE | MESURE | DESCRIPTION |
|-----------|--------|--|
| A | 4" | Largeur suggérée pour l'emplacement de la prise électrique |
| B | 5" | Profondeur de l'emplacement suggéré pour la prise électrique |

Les exigences électriques sont une alimentation électrique protégée de 120 volts, 60 Hz, CA uniquement, 15 ampères ou plus. Il est recommandé de prévoir un circuit séparé desservant uniquement cet appareil.

Le tiroir est équipé d'une fiche de mise à la terre à 3 broches. Elle doit être branchée sur une prise murale correctement installée et mise à la terre. Si vous n'avez qu'une prise à 2 broches, demandez à un électricien qualifié d'installer une prise murale appropriée.



NOTE

Si vous avez des questions sur la mise à la terre ou les instructions électriques, consultez un électricien qualifié ou un technicien de service.

*Peut également être installé à l'aide d'une prise électrique dans une armoire adjacente dans la zone où le cordon électrique fourni peut atteindre. Vérifiez toujours les normes électriques pour connaître les exigences.

INSTRUCTIONS POUR LA MISE À LA TERRE

Cet appareil doit être relié à la terre. Le four micro-ondes tiroir est équipé d'un cordon doté d'un fil de mise à la terre et d'une fiche de mise à la terre. Il doit être branché sur une prise murale correctement installée et mise à la terre conformément à la réglementation nationale en matière d'électricité et aux normes et ordonnances locales. En cas de court-circuit électrique, la mise à la terre réduit le risque de choc électrique en fournissant une déviation du courant électrique vers le sol.



MISE EN GARDE

Une mauvaise utilisation de la prise de terre peut entraîner un risque de décharge électrique. **N'utilisez pas de rallonge. Si le cordon d'alimentation est trop court, demandez à un électricien ou à un technicien qualifié d'installer une prise à proximité de l'appareil.**

UTILISATION DE L'APPAREIL

PANNEAU DE COMMANDE ET FONCTIONNALITÉS

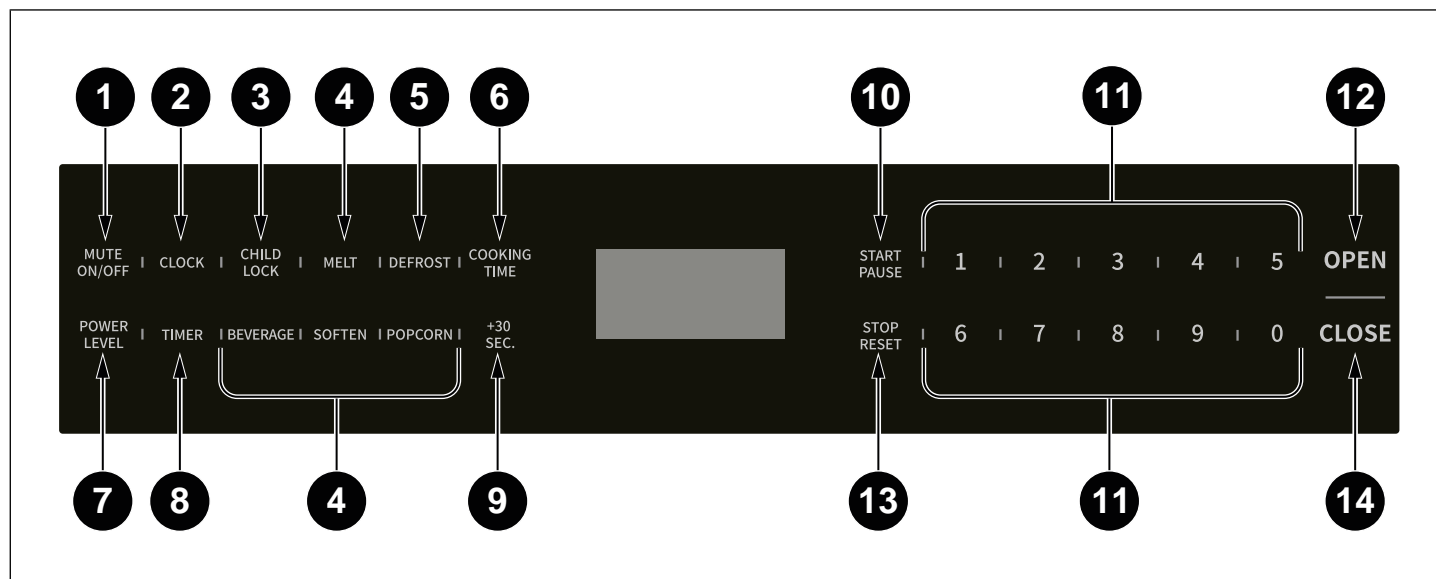


Fig. 11

- | | |
|--------------------------|------------------------|
| 1) Muet activé/désactivé | 6) Temps de cuisson |
| 2) Horloge | 7) Niveau de puissance |
| 3) Sécurité enfant | 8) Minuterie |
| 4) Menu Auto | 9) +30sec. |
| 4.1) Fondre | 10) Start/ Pause |
| 4.2) Boisson | 11) Touches numériques |
| 4.3) Ramollir | 12) Ouvrir |
| 4.4) Popcorn | 13) Stop / Reset |
| 5) Décongélation | 14) Fermeture |

NIVEAU DE PUISSANCE

10 niveaux de puissance sont disponibles.

| NIVEAU | PUISSANCE | ÉCRAN |
|--------|-----------|-------|
| 10 | 100 % | PL-10 |
| 9 | 90 % | PL-9 |
| 8 | 80 % | PL-8 |
| 7 | 70 % | PL-7 |
| 6 | 60 % | PL-6 |
| 5 | 50 % | PL-5 |
| 4 | 40 % | PL-4 |
| 3 | 30 % | PL-3 |
| 2 | 20 % | PL-2 |
| 1 | 10 % | PL-1 |

UTILISATION DE L'APPAREIL

STANDBY

- 1) Lorsque le four à micro-ondes est branché sur une prise, le signal sonore retentit une fois. L'écran affiche **WELCOME**. Le four passe ensuite en mode veille. L'écran affiche **00:00**.
- 2) En mode veille, l'écran affiche l'heure actuelle si l'horloge a été réglée. Sinon, **00:00** s'affiche.
- 3) Appuyez sur le bouton « OPEN » pour ouvrir le tiroir et l'écran affiche **OPEN**.
- 4) Appuyez sur le bouton « CLOSE » pour fermer le tiroir et l'écran affiche **CLOSE**. L'écran affiche l'heure actuelle ou « 00:00 » lorsque le tiroir est complètement fermé.



NOTE

Pendant que le tiroir s'ouvre automatiquement en appuyant sur le bouton « OPEN », appuyez sur le bouton « OPEN » ou « CLOSE » pour arrêter automatiquement l'ouverture de la porte, puis appuyez à nouveau sur le bouton « OPEN » ou « CLOSE » pour ouvrir ou fermer la porte du four.

RÉGLAGE DE L'HORLOGE

- 1) Appuyez une fois sur « CLOCK », puis l'écran affiche **12:00**.
- 2) Appuyez sur les touches numériques pour indiquer la bonne heure. L'heure saisie doit être comprise entre 1:00 et 12:59.
- 3) Appuyez sur « CLOCK » ou « START/PAUSE » pour terminer le réglage. « : » clignote.



NOTE

- 1) L'horloge affiche un format de 12 heures.
- 2) Pour réinitialiser l'horloge, répétez les étapes 1 à 3.
- 3) L'horloge ne peut être réglée qu'en mode veille.
- 4) Pendant le processus de réglage de l'horloge, si le bouton « CANCEL/STOP » est enfoncé ou si aucune opération n'est effectuée pendant 1 minute, le four reviendra automatiquement au réglage précédent.

RÉGLAGE DE LA MINUTERIE

- 1) Appuyez une fois sur « TIMER » et l'écran affichera **00:00**.
- 2) Appuyez sur les touches numériques pour indiquer l'heure. La valeur de temps maximale est de 99:99.
- 3) Appuyez sur « START/PAUSE » ou « TIMER » pour confirmer le réglage. Le compte à rebours commence.
- 4) Lorsque l'heure de cuisson arrive, le signal sonore retentit et l'écran affiche **TIMER DONE**.



NOTE

- 1) La minuterie de cuisine est différente du système de 12 heures. La minuterie est une minuterie.
- 2) En cours de fonctionnement, appuyez sur « TIMER » pour annuler la minuterie.
- 3) Lors du réglage de la « Minuterie », appuyez sur « STOP/RESET » pour l'annuler.
- 4) Lorsque le temps de cuisson arrive, le signal sonore retentit. Appuyez sur « Timer » pour l'éteindre.
- 5) Chaque pression supplémentaire sur « +30SEC. » permet d'ajouter 30 secondes à la minuterie.

UTILISATION DE L'APPAREIL

CUISSON AU MICRO-ONDES

- 1) Appuyez une fois sur « COOKING TIME », l'écran affichera : 0. Appuyez sur les touches numériques pour saisir le temps de cuisson. La valeur de temps maximale est de 99:99.
- 2) Appuyez sur « POWER LEVEL » pour régler la puissance. Le niveau de puissance par défaut est « PL-10 ». Appuyez sur les touches numériques ou plusieurs fois sur « POWER LEVEL » pour sélectionner le niveau de puissance.
- 3) Appuyez sur « START/PAUSE » pour démarrer la cuisson. Le temps de cuisson commence à décompter. Une fois la cuisson terminée, le signal sonore retentit et le message **FOOD IS READY** s'affiche.

NOTE



- 1) Si vous ouvrez la porte du four ou appuyez sur « START/PAUSE » pendant le fonctionnement, le mode en cours s'interrompt.
- 2) Le niveau de puissance peut être modifié pendant le fonctionnement. Appuyez sur « Power » et la puissance actuelle s'affiche pendant 5 secondes. Appuyez sur les touches numériques ou sur le bouton « POWER LEVEL » plusieurs fois pour modifier la puissance. Le four fonctionnera avec la puissance sélectionnée.

VITESSE DE CUISSON

- 1) En mode veille, vous pouvez appuyer sur « +30SEC. » pour obtenir la cuisson instantanée à la puissance maximale avec un temps de cuisson de 30 secondes. Chaque pression sur le même bouton augmentera le temps de cuisson de 30 secondes. La valeur de temps maximale est de 99:99.
- 2) Vous pouvez appuyer sur « +30 SEC. » pour augmenter le temps de cuisson pendant la cuisson au micro-ondes, le menu automatique et la décongélation par durée. Chaque pression permet d'augmenter le temps de 30 secondes.
- 3) En mode veille, la cuisson instantanée à la puissance maximale avec un temps de cuisson de 1 à 5 minutes peut être lancée en appuyant sur « 1 », « 2 », « 3 », « 4 », « 5 ». Le temps commence à décompter.

NOTE



Vous ne pouvez pas appuyer sur « +30SEC. » pour augmenter le temps de cuisson de la décongélation par cuisson au poids.

DÉCONGELER EN FONCTION DU POIDS

- 1) Appuyez une fois sur « DEFROST ». L'écran affiche **WEIGHT**.
- 2) Appuyez sur les touches numériques pour saisir le poids à décongeler. L'heure saisie doit être comprise entre 0,1-6,0 lbs.
- 3) Appuyez sur « START/PAUSE » pour démarrer la décongélation. Le temps de décongélation commence à décompter. Une fois la décongélation terminée, le signal sonore retentit et le message **FOOD IS READY** s'affiche.

NOTE



Un signal sonore retentit pour vous rappeler de retourner les aliments pendant la décongélation.

DÉCONGELER EN FONCTION DE LA DURÉE

- 1) Appuyez deux fois sur « DEFROST ». L'écran affiche **TIME**.
- 2) Appuyez sur les touches numériques pour saisir le temps de décongélation. La valeur de temps maximale est de 99:99.
- 3) Appuyez sur « START/PAUSE » pour démarrer la décongélation. Le temps de décongélation commence à décompter. Une fois la décongélation terminée, le signal sonore retentit et le message **FOOD IS READY** s'affiche.

NOTE



- 1) Un signal sonore retentit pour vous rappeler de retourner les aliments pendant la décongélation.
- 2) Le niveau de décongélation par défaut est PL-3.

BOISSON

- 1) Appuyez une fois sur « BEVERAGE ». L'écran affiche **1 CUP**.
- 2) Appuyez sur le numéro « 1 » ou « 2 », ou appuyez plusieurs fois sur le bouton « BEVERAGE », **1 CUP** ou **2 TASSES** s'afficheront dans l'ordre.
- 3) Appuyez une fois sur « START/PAUSE » pour démarrer la cuisson. Le temps de cuisson commence à décompter. Une fois la cuisson terminée, le signal sonore retentit et le message **FOOD IS READY** s'affiche.

UTILISATION DE L'APPAREIL

POPCORN

- 1) Appuyez une fois sur « POPCORN ». L'écran affiche 1,75 oz.
- 2) Appuyez sur « POPCORN », 1.75 oz, 3.0 oz ou 3.5 oz s'afficheront dans l'ordre.
- 3) Appuyez sur « START/PAUSE » pour démarrer la cuisson. Le temps de cuisson commence à décompter. Une fois la cuisson terminée, le signal sonore retentit et le message **FOOD IS READY** s'affiche.

FAIRE FONDRE LES ALIMENTS

- 1) Appuyez une fois sur « MELT ». L'écran affiche **SELECT FOOD TYPE 1-4**
- 2) Appuyez sur les chiffres « 1 », « 2 », « 3 », « 4 » ou appuyez plusieurs fois sur le bouton « MELT » **BUTTER**, **CHOCOLA**, **CHEESE** ou **MARSHMA** s'afficheront dans l'ordre.
- 3) Appuyez sur « START/PAUSE » pour confirmer la sélection.
- 4) Appuyez sur le bouton « MELT » ou sur les chiffres « 1 », « 2 », « 3 » pour sélectionner le poids.
- 5) Appuyez sur « START/PAUSE » pour démarrer la cuisson. Le temps de cuisson commence à décompter. Une fois la cuisson terminée, le signal sonore retentit et le message **FOOD IS READY** s'affiche.

| MENU | ÉCRAN | TEMPS DE PRESSION | POIDS |
|----------------------|----------------|-------------------|----------------|
| Beurre/ Margarine | BEURRE | 1 | 1 (BARATTE) |
| | | 2 | 2 (BARATTE) |
| | | 3 | 3 (BARATTE) |
| Chocolat | CHOCOLA | 1 | 4 onces |
| | | 2 | 8 onces |
| Fromage | FROMAGE | 1 | 8 onces |
| | | 2 | 16 onces |
| Marshmallows | MARSHMA | 1 | 5 onces |
| | | 2 | 10 onces |

RAMOLLIR

- 1) Appuyez une fois sur « SOFTEN ». L'écran affiche **SELECT FOOD TYPE 1-3**
- 2) Appuyez sur les chiffres « 1 », « 2 », « 3 » ou appuyez plusieurs fois sur le bouton « SOFTEN », **BUTTER**, **ICE-CRE** ou **CHEESE** s'afficheront dans l'ordre.
- 3) Appuyez sur « START/PAUSE » pour confirmer la sélection.
- 4) Appuyez sur « SOFTEN » ou sur les chiffres « 1 », « 2 », « 3 » pour sélectionner le poids.
- 5) Appuyez sur « START/PAUSE » pour démarrer la cuisson. Le temps de cuisson commence à décompter. Une fois la cuisson terminée, le signal sonore retentit et le message **FOOD IS READY** s'affiche.

| MENU | ÉCRAN | TEMPS DE PRESSION | POIDS |
|-----------------------|----------------|-------------------|----------------|
| Beurre | BEURRE | 1 | 1 (BARATTE) |
| | | 2 | 2 (BARATTE) |
| | | 3 | 3 (BARATTE) |
| Glace / Jus glacé | GLACE | 1 | 8 onces |
| | | 2 | 16 onces |
| | | 3 | 32 onces |
| Fromage à la crème | FROMAGE | 1 | 3 onces |
| | | 2 | 8 onces |

MUET ACTIVÉ/DÉSACTIVÉ

- 1) Appuyez une fois sur « MUTE ON/OFF » Le signal sonore fera un bip. L'écran affiche **MUTE OFF**. Puis le signal sonore retentira normalement.
- 2) Appuyez une fois sur « MUTE ON/OFF » Le signal sonore fera un bip. L'écran affiche **MUTE ON**. Puis il n'y aura plus de bip.

SÉCURITÉ ENFANT

Utiliser cette fonction pour empêcher les enfants d'allumer accidentellement le four. Pour activer le verrouillage : En état veille, appuyez sur « CHILD LOCK » et maintenir la touche enfoncée pendant trois secondes. Un bip retentit et l'icône d'un verrou s'affiche. Pour désactiver le verrouillage : En état verrouillé, appuyez sur « CHILD LOCK » et maintenir la touche enfoncée pendant trois secondes. Un bip retentit.

UTILISATION DE L'APPAREIL

FONCTION ECO

Pour rentrer dans le mode ECO : En mode veille, la porte du four est fermée et aucune opération n'est effectuée pendant 1 minute, puis l'écran s'éteint. Pour annuler le mode ECO : En mode ECO, appuyez sur n'importe quelle touche ou ouvrez la porte pour l'annuler.

FONCTION DE DEMANDE D'INFORMATION

- 1) En mode cuisson, appuyez sur le bouton « CLOCK » pour vérifier l'horloge. L'heure actuelle s'affiche jusqu'à ce que le bouton soit relâché.
- 2) En mode cuisson au micro-ondes, appuyez sur le bouton « POWER LEVEL » pour demander la puissance du micro-ondes. La puissance actuelle du micro-ondes s'affiche pendant 5 secondes.

ENTRETIEN

DÉPANNAGE

Vérifier le problème en utilisant le tableau ci-dessous et essayer les solutions pour chaque problème. Si le four à micro-ondes ne fonctionne toujours pas correctement, contacter le centre de service agréé le plus proche.

| PROBLÈME | CAUSE POSSIBLE | SOLUTION POSSIBLE |
|--|--|---|
| Le four ne démarre pas | <ul style="list-style-type: none">a. La fiche du four n'est pas branchée dans la prise d'alimentation.b. La porte est ouverte.c. Le programme n'a pas été réglé correctement. | <ul style="list-style-type: none">a. Brancher la fiche dans la prise secteur.b. Fermer la porte et essayer à nouveau.c. Vérifier les instructions. |
| Arcs ou étincelles | <ul style="list-style-type: none">a. Des matériaux à éviter dans le four à micro-ondes ont été utilisés.b. Le four est utilisé à vide.c. Des aliments ont été renversés dans la cavité du four. | <ul style="list-style-type: none">a. Utiliser uniquement des ustensiles de cuisine allant au micro-ondes.b. Ne pas utiliser le four à vide.c. Nettoyer le banc avec une serviette humide. |
| Aliments cuits de manière non homogène | <ul style="list-style-type: none">a. Des matériaux à éviter dans le four à micro-ondes ont été utilisés.b. Les aliments ne sont pas complètement décongelés.c. Le temps de cuisson et/ou le niveau de puissance ne conviennent pas.d. Les aliments ne sont pas retournés ou remués. | <ul style="list-style-type: none">a. Utiliser uniquement des ustensiles de cuisine allant au micro-ondes.b. Décongeler complètement les aliments.c. Utiliser un temps de cuisson et un niveau de puissance corrects.d. Retourner ou remuer les aliments. |
| Aliments trop cuits | Le temps de cuisson et/ou le niveau de puissance ne conviennent pas. | Utiliser un temps de cuisson et un niveau de puissance corrects. |
| Aliments pas assez cuits | <ul style="list-style-type: none">a. Des matériaux à éviter dans le four à micro-ondes ont été utilisés.b. Les aliments ne sont pas complètement décongelés.c. Les ouvertures de ventilation du four sont obstruées.d. Le temps de cuisson et/ou le niveau de puissance ne conviennent pas. | <ul style="list-style-type: none">a. Utiliser uniquement des ustensiles de cuisine allant au micro-ondes.b. Décongeler complètement les aliments.c. Vérifier que les ouvertures de ventilation du four ne sont pas obstruées.d. Utiliser un temps de cuisson et un niveau de puissance corrects. |
| Décongélation incorrecte | <ul style="list-style-type: none">a. Des matériaux à éviter dans le four à micro-ondes ont été utilisés.b. Le temps de cuisson et/ou le niveau de puissance ne conviennent pas.c. Les aliments ne sont pas retournés ou remués. | <ul style="list-style-type: none">a. Utiliser uniquement des ustensiles de cuisine allant au micro-ondes.b. Utiliser un temps de cuisson et un niveau de puissance corrects.c. Retourner ou remuer les aliments. |

Pour toute information sur la garantie et demande de service, contactez-nous:



Aux États-Unis: <https://us.bertazzoni.com/more/support>

Au Canada: <https://ca.bertazzoni.com/more/support>



www.bertazzoni.com
Via Palazzina, 8
42016 Guastalla RE

© 2025 BERTAZZONI. All rights reserved.

MD24LX