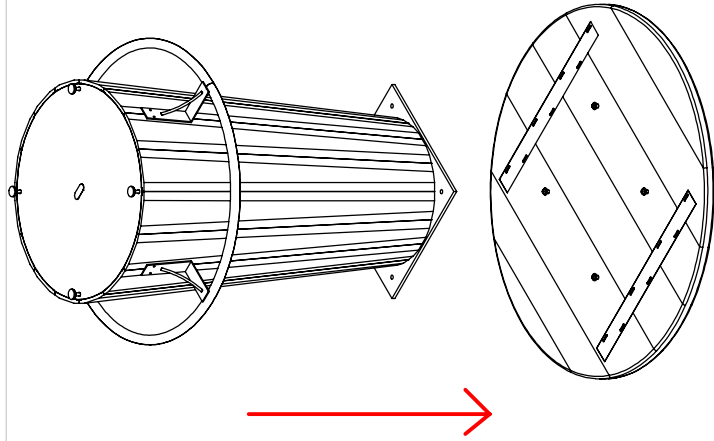


## STEP 1

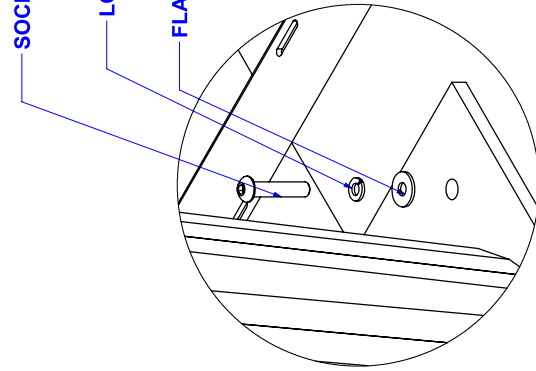
PLACE THE COVER ON A FLAT SURFACE, MATCH THE BASE TO THE DECK, MATCHING THE HOLES



SOCKET BUTTON SCREW 5/16 X 1-1/2"

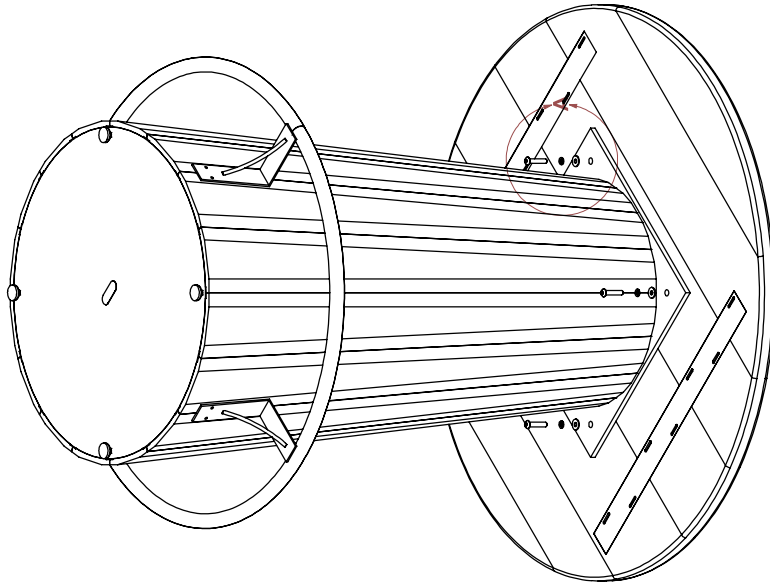
LOCK WASHER 5/16

FLAT WASHER 5/16 X 1"



## STEP 2

TIGHTEN THE SCREWS AS SHOWN IN FIGURE A, THEN IN FIGURE A, THEN PLACE IN THE DESIRED LOCATION



DESCRIPTION	#
SOCKET BUTTON SCREW 5/16 X 1- 1/2"	4
LOCK WASHER 5/16	4
FLAT WASHER	4
ALLEN KEY 3/16	1

ITEM:

### ASSEMBLING INSTRUCTIONS

I-BIS-E002

**ifd**  
INTERNATIONAL  
FURNITURE DIRECT, LLC

ITEM	DESCRIPTION	#PZ
1RON003	RONDANA PLANA 5/16 X 1"	4
1RON011	RONDANA DE PRESION 5/16	4
1TOR005	TORNILLO ALLEN CABEZA BOLA 5/16 X 1-1/2"	4
1HER251	LLAVE ALLEN 3/16	1



ITEM:

**ASSEMBLING INSTRUCTIONS**

**I-BIS-E002**