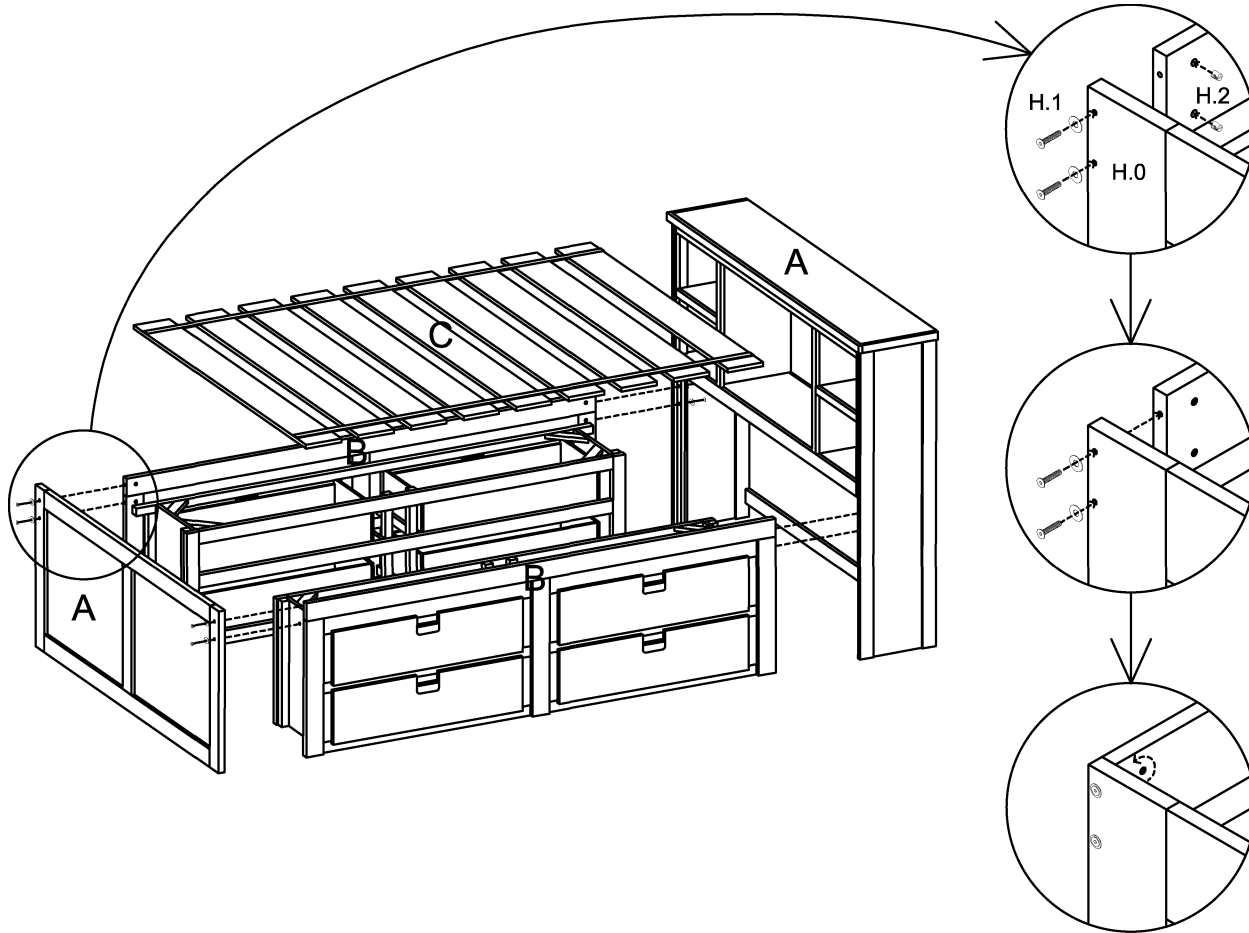


# ASSEMBLY INSTRUCTIONS

MY-10700-X-F1



PART LIST			
No.	SKU	DESCRIPTION	Qty
A	MY-10700-X-C10	Full Captains Headboard and Footboard	2
B	MY-10700-X-C1	Four Drawers Storage Pedestal	2
C	MY-10700-UC8	Full Roll-out Slats	1

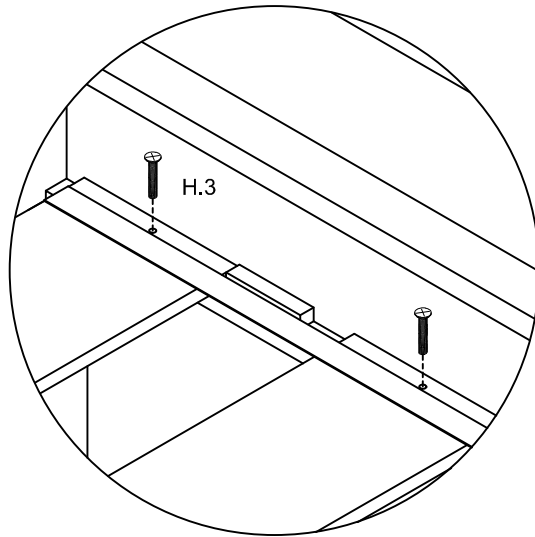
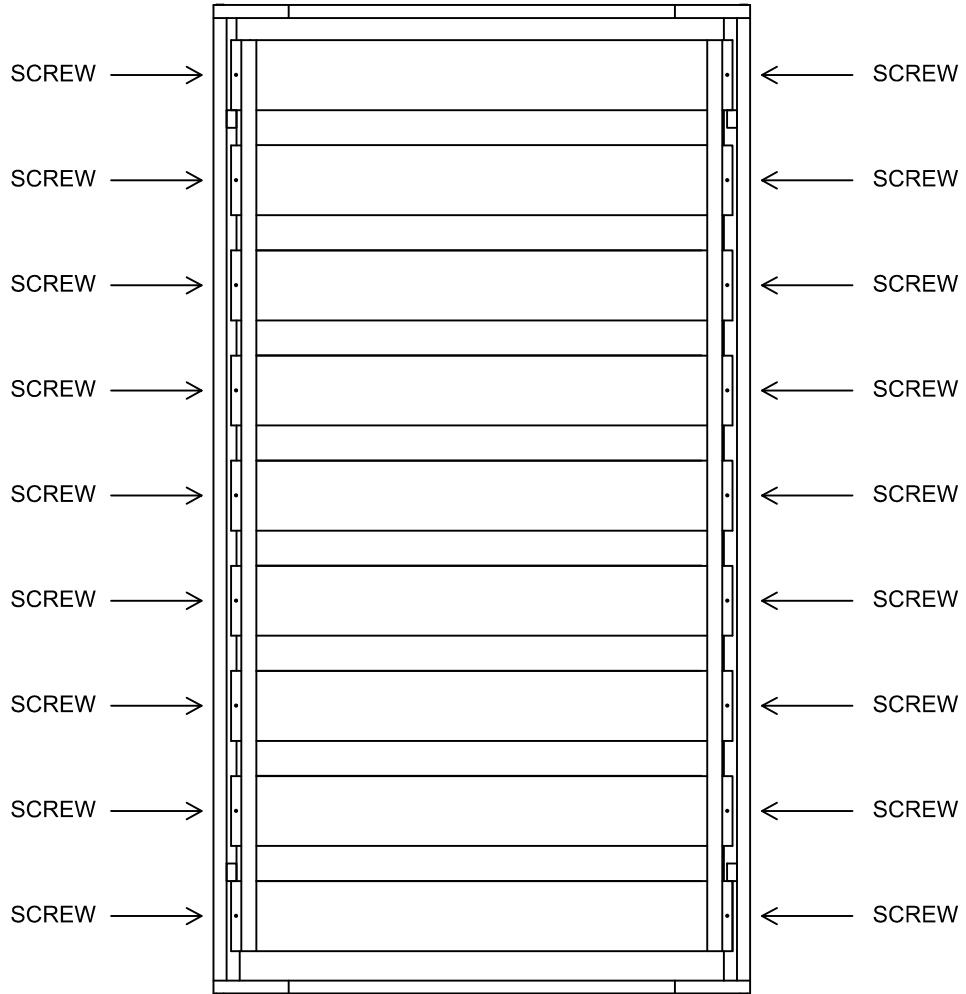
HARDWARE LIST			
No.	DESCRIPTION	SKU	Qty
H.0	FLAT WASHERS	PMY-10700-F1HW	8
H.1	ALLEN BOLT 1/4 3 1/4"		8
H.2	BARREL NUTS		8
H.3	WOOD SCREW 1"		18
	ALLEN WRENCH		1

**TOOLS REQUIRED: DRILL AND FLAT HEAD SCREWDRIVER**

**Make sure you have all parts before beginning assembly. Two persons are needed for assembly. Do not fully tighten all bolts until assembly is completed.**

1. Attach the Full Captains Headboard and Footboard (A) and two Four Drawers Storage Pedestal (B) with 8 Allen Bolts (H.1), 8 Flat Washers (H.0) and 8 Barrel Nuts (H.2), and tighten.
2. Place Full Roll out Slats Kit (C) across the bed surface stretching slats from bed end to bed end. Secure all the slats with 18 Wood Screws (H.3) as shown in the next page.
3. Add the mattress not to exceed 6" in thickness including foundation.

## ROLL OUT SLAT KIT INSTALLATION



## SAFETY WARNING

**Our Bunk Beds have been tested by an Independent Laboratory and are certified to be in compliance with: ASTM F-1427-19, "Standard Consumer Safety Specification for Bunk Beds" and U.S. Government specifications 16 Code of Federal Regulations, parts 1213 and 1513.**

### SAFETY WARNINGS

1. Follow the information on the warnings appearing on the upper bunk end structure and on the carton. Do not remove warning label from bed.
2. Always use the recommended size mattresses or mattress supports, or both, to help prevent likelihood of entrapment or falls.
3. Surface of mattress must be at least five inches (127 mm) below the upper edge of guardrails.
4. Do not allow children under 6 years of age to use the upper bunk.
5. Periodically check and ensure that the guardrail, ladder, and other components are in their proper position, free from damage, and that all connectors are tight.
6. Do not allow horseplay on or under the bed and prohibit jumping on the bed.
7. Prohibit more than one person on upper bunk.
8. Always use the ladder or the bed ends for entering or leaving the upper bunk.
9. Do not use substitute parts. Contact manufacturer or dealer for replacement parts.
10. Use of a night light may provide added safety precaution for a child using the upper bunk.
11. Always use guardrails on both long sides of the upper bunk. If the bunk bed will be placed next to the wall, the guardrail that runs the full length of the bed should be placed against the wall to prevent entrapment between the bed and the wall. (This applies only to bunk beds without two full-length guardrails)
12. The use of water or sleep flotation mattress is prohibited.
13. Keep these instructions for future reference.

### STRANGULATION HAZARD

14. Never attach or hang items to any part of the bunk bed that are not designed for use with the bed; for example, but not limited to, hooks, belts and jump ropes.

### SIZE OF MATTRESS AND FOUNDATION

Your Twin bed is designed to use a mattress 38" in width and 75" in length.

Your Full bed is designed to use a mattress 54" in width and 75" in length.

The total thickness of the mattress and foundation (slat kit, bunk board, etc.) combined must not exceed 6"

**Note:** There must be at least 5" from mattress sleeping surface to top edge of guardrail.

### REPLACEMENT PART

Replacement parts, including additional guardrail, may be obtained from your furniture dealer: Baramhf (Vila furniture)