



Assembly Instructions

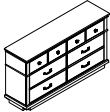

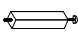
B3907-050 SUNSTONE DRESSER

Thank you for purchasing this quality product. Be sure to check all packing materials carefully for small parts, which may have come loose inside the carton during shipment. Identify and count all items and compare with the PARTS LIST and/or HARDWARE LIST shown below.






Caution: Please read the instructions thoroughly before assembly.

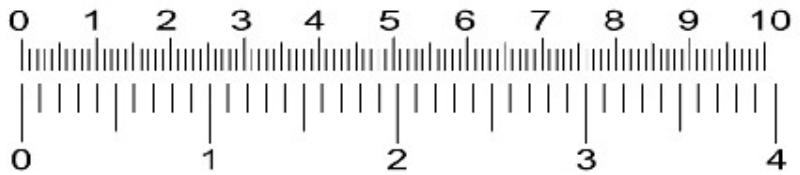
1. We recommend that you assemble this product with the assistance of another person: this will make the assembly easier, and will help eliminate damage to the product or injury to person during assembly.
2. Please do not over tighten screws or bolts until the assembly is completed.
3. Please put all parts on a non-abrasive floor before assembly, and follow the assembly steps to assemble your newly purchased product correctly and efficiently.

PARTS LIST

NO:	COMPONENT	ADRAWING	Q'TY
A	DRESSER		1 PC
B	FOOT		4 PCS
C	SUPPORT LEG		1 PC

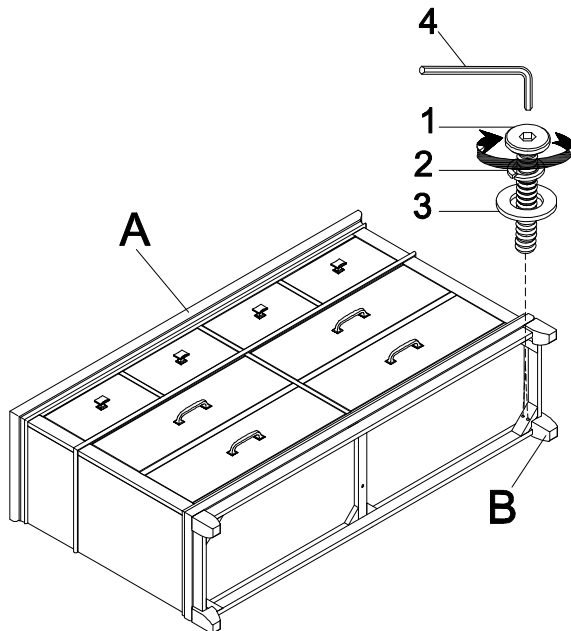
HARDWARE LIST

NO:	COMPONENT	ADRAWING	Q'TY
1	Bolt Ø5/16"x2-1/4"		8 PCS
2	Lock Washer Ø5/16"		8 PCS
3	Flat Washer Ø5/16"x3/4"		8 PCS
4	Allen Key		1 PC
5	Anti-Tipping Kit		1 SET



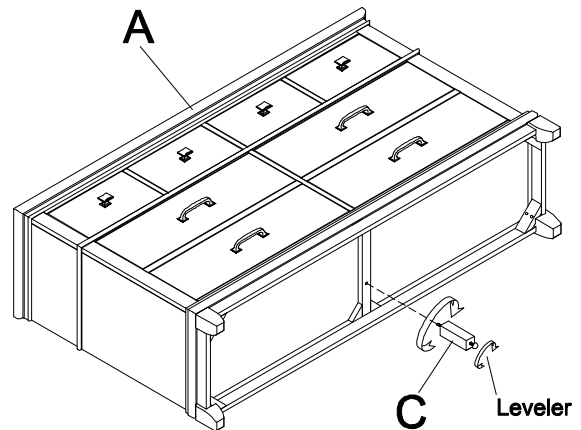
STEP 1

Assemble Foot (B) to Dresser (A) by using Allen Key (4) with hardware 1,2, and 3.



STEP 2

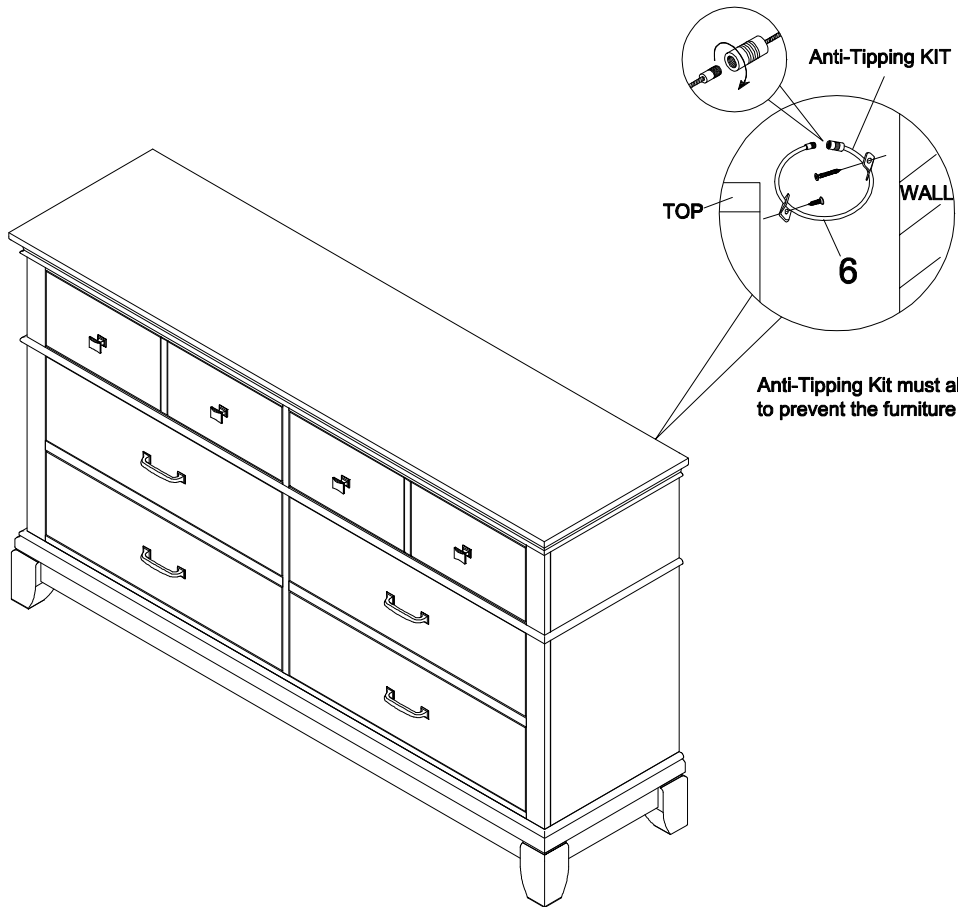
Assemble the Support Leg (C) by twisting the leg into the center hole on the base of dresser (A).



Assembly Instructions

B3907-050 SUNSTONE DRESSER

STEP 3



Anti-Tipping Kit must always be used to prevent the furniture from tipping.