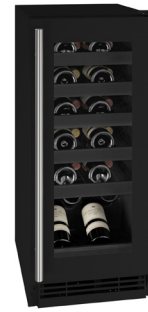




Stainless Frame



Black Frame



Integrated Frame



Integrated Solid

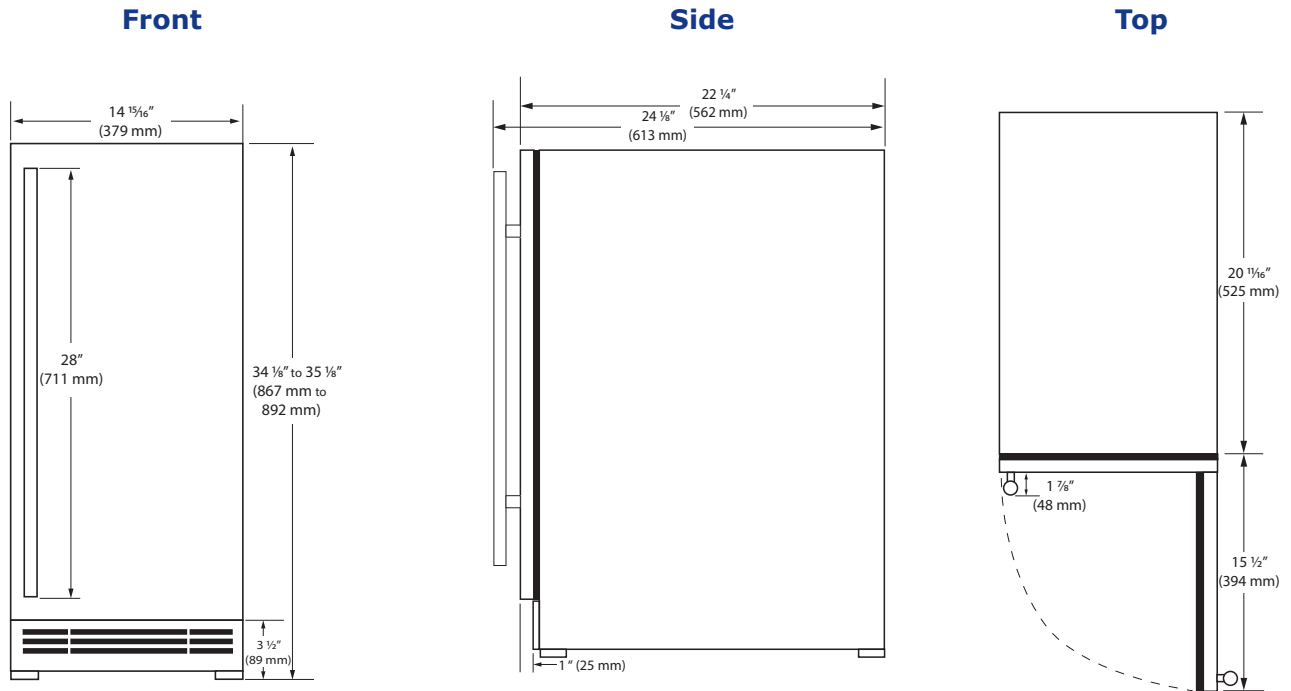
Key Features

- Convection cooling system provides a quick cool down and consistent temperature
- Black interior
- LowE coated, argon gas filled, dual thermopane glass door provides protection from harmful UV Light
- Stainless steel full-wrap door and handle (7/8" diameter)
- Stainless steel grille (stainless model), black metal grille (black & integrated models)
- Five, three-quarter extension, black wine racks
- Temperature range: 34°F to 60°F
- Digital touch pad control
- Bright white LED lighting
- Volume of 3.0 cu ft holds up to 24 wine bottles (750 ml)
- Field reversible door is shipped right-hand hinged
- Built-in or freestanding
- Four adjustable leveling legs

Model Details

| Model | Voltage/Hz | Door Swing | Finish | Shipping Weight |
|---------------|------------|------------------|------------------|-----------------|
| UHWC115-SG01A | 115 / 60 | Field Reversible | Stainless Frame | 102 lb |
| UHWC115-BG01A | 115 / 60 | Field Reversible | Black Frame | 102 lb |
| UHWC115-IG01A | 115 / 60 | Field Reversible | Integrated Frame | 97 lb |
| UHWC115-IS01A | 115 / 60 | Field Reversible | Integrated Solid | 92 lb |

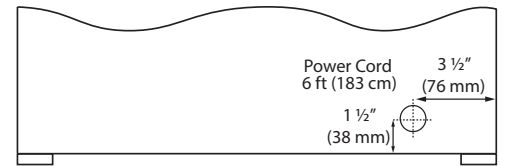




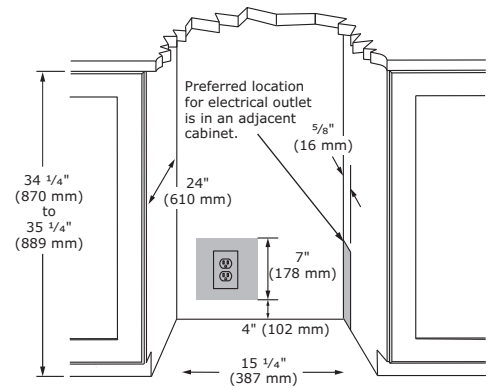
Specifications

| | |
|-----------------------------------|-------------------------------------|
| Model | HWC115 |
| Amps: Running (115 v) | 1.2 A |
| Capacity: Wine Bottle (750 ml) | 24 |
| Capacity: Volume (cu ft) | 3.0 |
| Dimensions: Product Depth | 22 1/4" / 562 mm |
| Dimensions: Product Height | 34 1/8" / 867 mm |
| Dimensions: Product Width | 14 15/16" / 379 mm |
| ENERGY STAR (Glass) | No |
| ENERGY STAR (Solid) | Tier 3 |
| Energy Consumption: Avg. Per Year | 285 kWh |
| Panel Height | 30 1/4" / 768 mm |
| Panel Thickness | 3/4" / 20 mm |
| Panel Type | 2 3/4" / 70 mm Frame or Solid Panel |
| Panel Width | 14 3/4" / 375 mm |
| Refrigerant Type | R600a |
| Sabbath (Star K Certified) | Yes |
| Temperature Range | 34°F to 60°F |

Back



Cabinet Cut-Out



Warranty

- 1 Year (parts & labor) / 5 year sealed system (parts)
- + **Additional 1 Year (parts & labor) warranty at no cost with product registration**

See complete warranty for details



Installation Notes

- 15" cutout width sufficient if door protrudes beyond adjacent cabinetry
- No additional clearance is needed for ventilation
- Do not obstruct front grille air flow



Please visit u-line.com to view this model's User Guide & Service Manual. All Specifications are subject to change without notice.

8900 North 55th Street • Milwaukee, Wisconsin 53223 USA • +1.414.354.0300 • sales@u-line.com • u-line.com