



C A F É

DISTINCT BY DESIGN

Owner's Manual





DISTINCT BY DESIGN™

Owner's Manual

Dishwashers

Models: CDD420 Series

Contents

Safety Information	3	Care and Cleaning	18
Using the Dishwasher		Troubleshooting Tips	22
Getting Started	6	Limited Warranty	27
Dispensers	10	Consumer Support	28
Loading	13		

Write the model and serial numbers here:

Model # _____

Serial # _____

You can find them on the dishwasher's frame face, between the drawers, on the left side.

English • Español

THANK YOU FOR MAKING CAFÉ A PART OF YOUR HOME.

We take pride in the craftsmanship, innovation and design that goes into every Café product, and we think you will too. Among other things, registration of your appliance ensures that we can deliver important product information and warranty details when you need them.

Register your Café appliance now online. Helpful websites are available in the Consumer Support section of this Owner's Manual. You may also mail in the pre-printed registration card included in the packing material.

C A F É

DISTINCT BY DESIGN™

IMPORTANT SAFETY INFORMATION

READ ALL INSTRUCTIONS BEFORE USING THE APPLIANCE

▲WARNING For your safety, the information in this manual must be followed to minimize the risk of fire, explosion, electric shock, and to prevent property damage, personal injury, or death.

▲WARNING PROPER INSTALLATION AND MAINTENANCE

This dishwasher must be properly installed and located in accordance with the Installation Instructions before it is used. If you did not receive an Installation Instructions sheet with your dishwasher, you can receive one by visiting our Website at cafeappliances.com.

- Connect the dishwasher/appliance to a grounded metal, permanent wiring system; or run an equipment-grounding conductor with the circuit conductors and connect to the equipment-grounding terminal or lead of the appliance.
- Improper connection of the equipment-grounding conductor can result in a risk of electric shock. Check with a qualified electrician or service representative if you are in doubt whether the appliance is properly grounded.
- Detailed grounding instructions can be found in the “Installation Preparation” section of the Installation Instructions.
- Dispose of discarded appliances and shipping or packing material properly.
- Do not attempt to repair or replace any part of your dishwasher unless it is specifically recommended in this manual. All other servicing should be referred to a qualified technician.
- Use only included product cord or hard-wire to building electrical as described in the Installation Instructions. Failure to follow this instruction, could result in risk of fire and personal injury.
- To minimize the possibility of electric shock, disconnect this appliance from the power supply before attempting any maintenance.

NOTE: Turning the dishwasher off does not disconnect the appliance from the power supply. We recommend having a qualified technician service your appliance.

▲WARNING WHEN USING YOUR DISHWASHER, FOLLOW BASIC PRECAUTIONS, INCLUDING THE FOLLOWING:

- Use this appliance only for its intended purpose as described in this Owner’s Manual.
- Use only detergents or wetting agents recommended for use in a dishwasher and keep them out of reach of children. Using a detergent that is not specifically designed for dishwashers will cause the dishwasher to fill with suds.
- Locate sharp items so that they are not likely to damage the drawer seal.
- Load sharp knives with the handles up to reduce the risk of cut-type injuries.
- Do not wash plastic items unless marked dishwasher safe or the equivalent. For plastic items not so marked, check the manufacturer’s recommendations.
- Do not operate your dishwasher unless all enclosure panels are properly in place.
- Do not tamper with controls.
- Do not abuse, sit on or stand on the drawer of the dishwasher.
- To reduce the risk of injury, do not allow children to play with, on or inside this appliance at any time.
- Do not store or use combustible materials including gasoline or other flammable liquids or vapors in the vicinity of this or any other appliance.
- Small parts can be a choke hazard to small children if removed from the dishwasher. Keep out of reach of small children.

READ AND SAVE THESE INSTRUCTIONS

IMPORTANT SAFETY INFORMATION

READ ALL INSTRUCTIONS BEFORE USING THE APPLIANCE

▲WARNING WATER HEATER SAFETY

Under certain conditions, hydrogen gas may be produced in a water heater that has not been used for two or more weeks. **HYDROGEN GAS IS EXPLOSIVE.**

If the hot water has not been used for two or more weeks, prevent the possibility of damage or injury by turning on all hot water faucets and allowing them to run for several minutes. Do this before using any electrical appliance connected to the hot water system. This simple procedure will allow any built-up hydrogen gas to escape. Since the gas is flammable, do not smoke, use an open flame, or use the appliance during this process.

▲WARNING RISK OF CHILD ENTRAPMENT

PROPER DISPOSAL OF THE DISHWASHER

Junked or abandoned dishwashers are dangerous...even if they will sit for "just a few days." If you are getting rid of your dishwasher, please follow the instructions below to help prevent accidents.

- Do not allow children to play with, on, or inside this or any discarded appliance.

▲CAUTION TO PREVENT MINOR INJURY AND PROPERTY DAMAGE

- During or after wash cycle, contents may be hot to the touch. Use care before handling.
- Close supervision is necessary if this appliance is used by or near children. Do not allow children to play around the dishwasher when closing the drawers due to the possibility of small fingers being pinched.
- Non-Dishware Items: Do not wash items such as electronic air cleaner filters, furnace filters and paint brushes in your dishwasher. Damage to the dishwasher and discoloration or staining of the dishwasher may result.
- Load light-weight, plastic items so they do not become dislodged and drop to the bottom of the dishwasher.

▲CAUTION

- Under no circumstances should you open the drawer while the dishwasher is in operation.
- Always knock on the right side front of the drawer to pause the dishwasher and wait until you hear the four additional beeps before opening the drawer.
- The dishwasher must be used with the motor assembly, filter plate, drain filter and spray arm in place. To identify what these parts are, see the Care and Cleaning section in this Owner's Manual.
- Take care when loading the drawer not to load dishware items so they prevent the internal lid from properly sealing with the drawer. Items should be placed so they do not protrude above and/or forced into the drawer, otherwise a service call may result.
- Cleaning and user maintenance shall not be done by children without supervision.
- If the dishwasher is not being used for long periods of time, turn the electricity and water supply to the dishwasher off.

▲NOTICE

- Use only powder, **Cascade® Platinum™ ActionPacs™** or **Finish® Quantum® Automatic Dishwashing Detergent** or rinse agents recommended for use in a dishwasher and keep them out of the reach of children. **Cascade® Platinum™ ActionPacs™** or **Finish® Quantum® Automatic Dishwashing Detergent**, and **Cascade® Platinum™ Power Dry™ Rinse Aid** or **Finish® Jet-Dry® Rinse Aid** rinse agents have been approved for use in all Café dishwashers.

READ AND SAVE THESE INSTRUCTIONS

IMPORTANT SAFETY INFORMATION

READ ALL INSTRUCTIONS BEFORE USING THE APPLIANCE

ELECTRICAL REQUIREMENTS

Be sure that the electrical connection and wire size are adequate and in conformance with the National Electric Code, ANSI/NFPA 70 – latest edition, and all local codes and ordinances.

This appliance must have:

- 120V, 60Hz, AC-only, 15-ampere or 20-ampere, fused electrical supply.
- Wiring must be 2 wire with ground and rated for 167°F.

■ If the electrical supply does not meet the above requirements, call a licensed electrician before proceeding.

It is recommended to have:

- A circuit breaker or time-delay fuse.
- A properly grounded individual branch circuit.

Proper Disposal of your Appliance

- Dispose of or recycle your appliance in accordance with Federal and Local Regulations. Contact your local authorities for the environmentally safe disposal or recycling of your appliance.
- Consider recycling options for your appliance packaging material.

READ AND SAVE THESE INSTRUCTIONS

Getting started

Quick Start

This dishwasher operates differently than most dishwashers. When a cycle is running, the drawer is locked closed. To open the drawer mid cycle, you must pause the cycle. Since there are no controls on the outside of the dishwasher, you must knock on the right side of the drawer front, 2 knocks, wait for 3 seconds and then open the drawer. Press ▶ to restart the cycle.



Features and appearance will vary throughout this manual

Indicators

Off/On - Opening the drawer will automatically turn the dishwasher on. If the dishwasher is in an idle state, touch any button to reactivate it.

- 1 Wash Program Indicators**
If lit: The wash program has been selected.
- 2 Lock Indicator**
If lit: Keylock or Childlock is activated.
- 3 Wash Option Indicators**
If lit: The wash cycle option has been selected. The wash program length and temperature will be set accordingly.
- 4 Delay Start Indicator**
If lit: Delay start is set. The wash program will start after the selected time delay (1-12 hours).

Controls

- A Wash Cycle Selector**
Press >> to scroll through the available wash programs and select the desired one.
NOTE: Each drawer can run independently of the other drawer or at the same time as the other drawer.
- B Options Selector**
Press ≡ to scroll through the wash options.
NOTE: Not all options are available for all wash programs.
- C Start Selector (on the inner control panel)**
To Start Wash: Press ▶ on the control panel before closing the drawer.
To Pause: Firmly knock twice on the right side of the drawer front.
 - Wait for three short and one long tone before opening the drawer.**NOTE: Forcing the drawer open mid cycle may cause damage or injury.**
 - If the dishwasher drawer is not restarted within seven minutes, it will sound intermittently until it is restarted.

Delay start

- To Set Delay Start:** Press and hold ▶ to set the delay start time. Each tone indicates a 1 hour delay (up to 12 hours). The delay start indicator ⌚ will light up.
- If you scroll past 12h (12 hours) the dishwasher will exit delay start. To re-enter delay start follow the instructions above.
 - The wash will start when the delay time is over, provided the drawer is closed.
- If drawer is not closed within 4 seconds of setting delay start, OR If the drawer is opened after delay start has been set (for example, to load more dishes), delay start will be suspended.
- To Resume:** Press ▶ and close the drawer.
- To Cancel Delay Start × :** Press and hold ▶.
- If there is any water in the drawer, it will automatically drain before the dishwasher turns off.

Getting started

Leak Protection

If a leak is detected, the dishwasher will drain, the cycle will stop and the below indicated control panel lights will turn on. If this occurs, contact Café for service.



1 Discard Scraps

Scrape large food particles off (eg bones, fruit stones) and remove any foreign objects (eg toothpicks, strings, paper).

2 Load Dishes Carefully- See the **Loading** section for more information.

To help with wash performance, arrange dishes so they are evenly spaced and not nesting.

IMPORTANT!

Accommodates plates up to a max height of 11" for lower drawers or 12 1/4" for upper drawers.

3 Check Spray Arm(s) - See the **Care and Cleaning** section for more information.

Check the spray arm is mounted correctly by physically rotating it around with your hand.

Before a wash, ensure there are no items preventing the spray arm(s) from rotating.

4 Add Detergent - See the **Dispensers** section for more information.

Fill the detergent dispenser with powder detergent and close the dispenser door.

IMPORTANT!

Do not use liquid detergent.

Do not place tablets or put liquid detergent in the detergent dispenser.

If using a tablet or gel pouch, place it in the cutlery basket or at the edge of the base rack.

5 Check Rinse Aid - See the **Dispensers** section for more information.

If the indicator on its plug glows bright red, refill the rinse aid dispenser with liquid rinse aid.

Make sure you then refit the rinse aid plug back into its original position, by rotating the plug back into an upright position.

6 Select Wash Cycle - Press >> to scroll through the available wash programs and stop to select the desired one. The lit indicator light above the selected wash program will indicate the selected wash program.

Pots This cycle is meant for heavily soiled dishes, cookware, pots, or pans with dried-on or baked-on soils. Everyday dishes are safe to be used in this cycle. *Time: 2 hours 31 minutes.

Plus This cycle is meant for daily full loads of medium to heavily soiled dishes. *Time: 2 hours 15 minutes.

Normal This cycle is normally soiled dishes and provides optimum water and energy usage. The Energy Guide is based on this cycle. No wash Options are available for this cycle. *Time: 2 hours.


Express For washing partial loads with loose soils. Wash times and water temperatures are reduced. *Time: 46 minutes.

China For washing lightly soiled and heat sensitive dishware. Wash temperatures are reduced. *Time: 1 hour 30 minutes.

Rinse For rinsing partial loads that will be washed later. Prevents odors and keeps soils from drying on dishes. **Do not use detergent.** Detergent is not dispensed during the rinse cycle. *Time: 16 minutes.

*Washing time only. Does not include drying time.

Getting Started

7 Select Options - Press  to scroll through the available options and stop to select the desired one. The lit indicator light above the selected option will indicate the selected option.

Ultra Dry Increases the final rinse temperature and the length of the drying phase for improved drying performance.

Fast Uses additional water and energy for a faster wash time, while maintaining wash performance.

Sanitize Raises the water temperature during the rinse phase to sanitize dishes. Ideal for washing items such as baby bottles and preserving jars.
 The sanitize wash option adjusts the wash program to meet the conditions required by NSF 184, Section 6 for sanitization to occur.
 While sanitize is running, the wash program is monitored to ensure that these conditions are met.


IMPORTANT!

- Only programs utilising the sanitize wash option are certified to meet the conditions required by NSF 184, Section 6. Other wash programs may not reach the temperatures required for sanitization to occur. See table for wash programs that have sanitize available as an option.
- For sanitization to occur, the temperature of the water needs to reach 158°F. Make sure that all items are marked dishwasher safe or the equivalent before running the sanitize option.
- If the wash is interrupted or the water supply is turned off during the program, then the heating conditions for sanitization may not be met. You may need to run the program again to ensure sanitization of your dishes.

At the end of a wash program with sanitize, always check to make sure that sanitization was successful.

If sanitization was successful: The wash will finish as normal.

If sanitization was not successful:


- An alert will sound.
- When the drawer is opened the sanitize indicator will flash.
- Check if the water supply has been turned off or the wash program interrupted.
- Press and hold  once to stop the beeping and a second time to clear the flashing alert code.
- Reset sanitize and then run the cycle again.

NOTES:



Only one option can be set at a time.


Not all options are available for every wash program. If a wash option is not available for the chosen wash program, then that option cannot be selected. See the table below for options available with each wash program.

Wash Program	Options Available		
Pots	Ultra Dry	Fast	Sanitize
Plus	Ultra Dry	Fast	Sanitize
Normal	-	-	-
Express	Ultra Dry	-	-
China	Ultra Dry	Fast	-
Rinse	-	-	-



Lock Options - Press  to scroll through the available options and stop to select the desired one. The lit indicator light above the selected option will indicate the selected option.

Keylock Disables all the buttons - Helpful when cleaning the dishwasher.

To activate: Press and hold  until you hear a tone. The lock indicator  will light up.

To cancel: Press and hold  until you hear a tone. The lock indicator  will turn off.

Childlock Disables all the buttons and locks the drawer closed (preventing unauthorized use by children).

To activate: Press and hold  until you hear two tones. The lock indicator  will light up.

To cancel: Press and hold  until you hear a tone. The lock indicator  will turn off.

Getting Started

8 Additional Options - How to set and change the settings of the additional options.

1 CHECK

Check that there is no wash underway, then open drawer.

2 ENTER MENU

To enter the menu: Press and hold the **>>** and **≡** at the same time for four seconds.

- You are now in the Rinse Aid option of the options menu.
- To change the Rinse Aid setting, go to step 4 now.

3 SCROLL TO OPTION

Press **≡** to scroll to the next option. The option indicators will display which option is selected (see table below).

When you have scrolled to the end of the sequence, the menu will start again with Rinse Aid.

4 CHANGE SETTING

Press **>>** to change the setting within an option.

The wash program indicators will display which setting is selected (see table below).

5 SAVE SETTING & QUIT MENU

Press **▶** to save the new setting and quit the preference options menu.

You can use either drawer to change the settings. Changing the settings in one drawer will set your preferences for the whole dishwasher.

OPTION	RINSE AID	OPEN DRAWER AUTO POWER-ON (SUITABLE AS A SABBATH OPTION)	TONES AT END OF WASH	CLOSED DRAWER AUTOLOCK
Which option am I in?	☼ Ultra Dry • Fast • Sanitize	• Ultra Dry • Fast ☼ Sanitize	☼ Ultra Dry ☼ Fast • Sanitize	☼ Ultra Dry • Fast ☼ Sanitize
Possible settings	0 to 5 (max)	On or Off	On or Off	On or Off
Settings examples	4 indicators lit = setting 4 ☼ ☼ ☼ ☼ Pots Plus Normal Express China Rinse	On ☼ ☼ ☼ ☼ Pots Plus Normal Express China Rinse	On ☼ ☼ ☼ ☼ Pots Plus Normal Express China Rinse	On ☼ ☼ ☼ ☼ Pots Plus Normal Express China Rinse
	1 indicator lit = setting 1 ☼ ☼ ☼ ☼ Pots Plus Normal Express China Rinse	Off ☼ ☼ ☼ ☼ Pots Plus Normal Express China Rinse	Off ☼ ☼ ☼ ☼ Pots Plus Normal Express China Rinse	Off ☼ ☼ ☼ ☼ Pots Plus Normal Express China Rinse

9 Start Dishwasher

Start

Press **▶** on the control panel and close the drawer within 4 seconds. If the drawer was not closed within 4 seconds, then press **▶** again before closing the drawer.

Pause

Firmly knock twice on the right side of the drawer front. Wait for three short and one long tone before opening the drawer. **NOTE: Forcing the drawer open mid cycle may cause damage or injury.**

If the dishwasher drawer is not restarted within seven minutes, it will sound intermittently until it is restarted.

Cancel

Press and hold **▶**.

Delay Start

Press and hold **▶** to set the delay start time. Each tone indicates a 1 hour delay (up to 12 hours). The delay start indicator **⌚** will light up.

- If you scroll past 12h (12 hours) the dishwasher will exit delay start. To re-enter delay start follow the instructions above.
- The wash will start when the delay time is over, provided the drawer is closed.

If drawer is not closed within 4 seconds of setting delay start, OR If the drawer is opened after delay start has been set (for example, to load more dishes), delay start will be suspended.

To Resume: Press **▶** and close the drawer.

To Cancel Delay Start × : Press and hold **▶**.

- If there is any water in the drawer, it will automatically drain before the dishwasher turns off.

Dispensers

Check the Water Temperature

The entering water should be at least 120°F and not more than 150°F for effective cleaning and to prevent dish damage. Check the water temperature with a candy or meat thermometer.

Turn on the hot water faucet nearest the dishwasher, place the thermometer in a glass and let the water run continuously into the glass until the temperature stops rising.

Use a Rinse Agent

High quality rinse agents such as **Cascade® Platinum™ Power Dry™ Rinse Aid** or **Finish® Jet-Dry® Rinse Aid** are designed for great drying action and to protect against spots and film build-up on your dishes, glasses, flatware, cookware, and plastic.

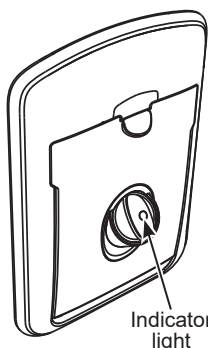
NOTE: You may hear some unusual, high-pitched beeping when rinse aid is being dispensed. This is normal.

When to Fill the Rinse Agent Dispenser

If the indicator glows or flashes bright red, refill rinse aid.

If the indicator glows or flashes dimly or not at all, you do not need to refill, there is enough rinse aid for the wash.

NOTE: Lighter colored rinse aids will not dim the indicator as effectively as darker ones.

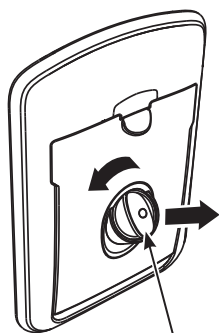


Filling the Rinse Agent Dispenser

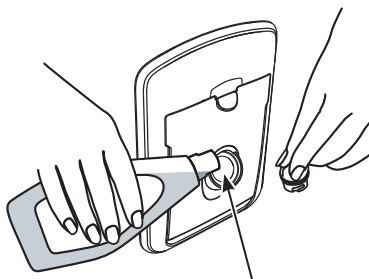
The rinse agent dispenser holds 1.7 oz. of rinse agent. Under normal conditions, this will last approximately one month.

The rinse aid dispenser is on the inside of the drawer, underneath the detergent dispenser.

1 Turn the plug counterclockwise and remove.



Turn counterclockwise and pull to remove



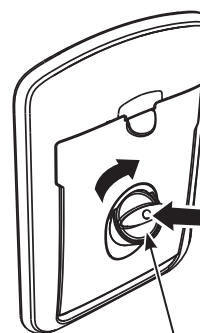
Pour rinse aid into the circular opening and wipe up any spilled

2 Pour rinse aid into the circular opening, taking care not to spill any into the drawer.

IMPORTANT!

Any accidental spillages of rinse aid must be wiped up. If not wiped up, rinse aid will cause excessive foaming, which may result in a service call that will not be covered by warranty.

3 Replace the plug, then turn it clockwise back to its original position.



Replace plug and turn clockwise to tighten

IMPORTANT!

Make sure that the plug is closed tight, with its finger grip in the vertical position.

Rinse Aid Setting

You may need to adjust the amount of rinse aid dispensed in each wash to suit your water conditions. The lowest setting is **0** (off), the highest is **5**.

If there is excessive foam at the end of the wash, reduce the setting.

If dishes are wet or streaky after drying, increase the setting.

If you live in a hard water area and you have no water softener installed in your water supply or built into your dishwasher, we recommend adjusting the rinse aid setting to **5**.

To adjust the setting

See **8 Additional Options** in the **Getting Started** section.

Dispensers

Detergent Dispensing

IMPORTANT!

Do not use liquid detergent.

Do not place tablets or put liquid detergent in the detergent dispenser.

If using a tablet or gel pouch, place it in the cutlery basket or at the edge of the base rack as described later in this section.

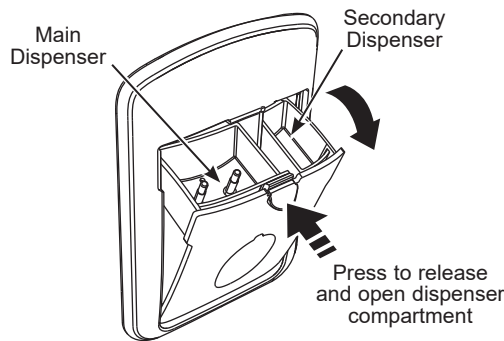
Powder Detergent Dispenser

The detergent dispenser is located inside the drawer on the front left side.

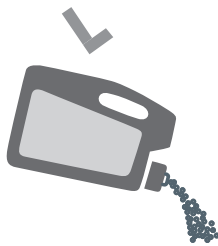
Use only powder detergent designed for automatic dishwashers in the detergent dispenser.

Filling the Powder Detergent Dispenser

- 1 Press the latch down to open the dispenser.



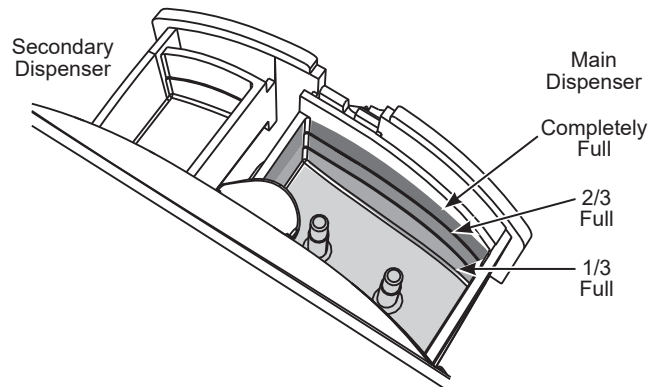
- 2 Check that the dispenser is empty and dry, then add powder detergent (do not place solid or liquid tablets in the dispenser). No detergent is needed for the Rinse program.
- 3 Close the dispenser until it clicks shut. The detergent will automatically be released into the drawer during the wash program.



NOTE: When washing heavily soiled dishes and in very hard water you may also fill the secondary dispenser with detergent to aid dishwasher performance.

When using the detergent dispenser the amount of powder detergent you use will be determined by the hardness of your water, the temperature of your water, and the food soil load inside the dishwasher. Contact your water company to get information about the hardness of the water in your area. Water hardness is measured in grains per gallon. Use this information and the table below to determine the amount of detergent to use. You may purchase a hard water test strip from Café. Call 877-959-8688 and ask for part number WD01X10295.

Number of Grains/Gal.	Detergent Dispenser(s) to Fill
Less than 4	Fill main to 1/3 full
4 to 8	Fill main to 2/3 full
8 to 12	Fill main completely full
Greater than 12	Fill both main and secondary dispensers



Use the table as a starting point and then adjust the amount of detergent you use. Use just enough to get good wash performance. Using just the right amount of detergent will provide great wash performance without wasting detergent or etching glassware.

Using too much detergent with very soft and/or very hot water may cause a condition called etching on your glassware. Etching is a permanent cloudiness in your glassware. This condition is irreversible. However, using too little detergent will cause poor wash performance.

DO NOT USE HAND DISH DETERGENT

NOTE: Using a detergent that is not specifically designed for dishwashers will cause the dishwasher to fill with suds. During operation, these suds will spill out of the dishwasher vents, covering the kitchen floor and making the floor wet.

Because so many detergent containers look alike, store the dishwasher detergent in a separate space from all other cleaners. Show anyone who may use the dishwasher the correct detergent and where it is stored.

While there will be no lasting damage to the dishwasher, your dishes will not get clean using a dishwashing detergent that is not formulated for automatic dishwashers.

Dispensers

Detergent Dispensing

IMPORTANT!

Do not use liquid detergent.

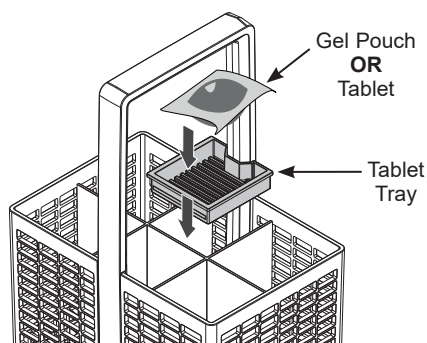
Tablet Tray - For Gel Pouch or Tablet

The tablet tray is located on the cutlery basket.

Use only gel pouches or tablets designed for automatic dishwashers.

Placement on the Tablet Tray

- 1 Place on the tablet tray in the cutlery basket.



- 2 Slide the tray down and secure in the cutlery basket.

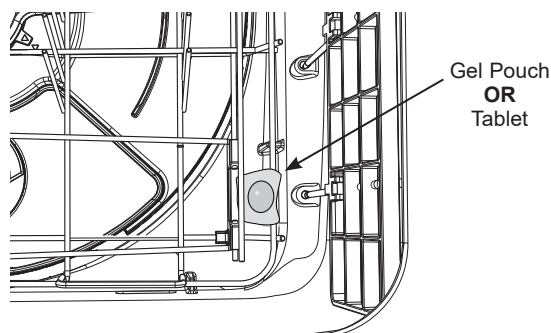
Placement within the Side Rack Rails - For Gel Pouch or Tablet

If the cutlery basket is not being used in the dishwasher for a particular load, the gel pouch or tablet may be wedged within the side rack rails.

Use only gel pouches or tablets designed for automatic dishwashers.

Placement within the Side Rack Rails

- 1 Securely wedge the gel pouch or tablet within the side rack rails.



- 2 **IMPORTANT!**

Do not place the gel pouch or tablet on the floor of the drawer, as it may interfere with the spray arm rotation and affect wash performance.

Notes on using tablets

- If you are using tablets, follow manufacturer instructions on the packet. Some tablets may not be suitable for all wash programs.
- Using tablets could improve wash performance in hard water areas.
- Make sure that tablets never come into direct contact with dishes or cutlery.
- If you are using dishwasher tablets with a built-in rinse aid component, we recommend turning off the rinse aid.

DO NOT USE HAND DISH DETERGENT

NOTE: Using a detergent that is not specifically designed for dishwashers will cause the dishwasher to fill with suds. During operation, these suds will spill out of the dishwasher vents, covering the kitchen floor and making the floor wet.

Because so many detergent containers look alike, store the dishwasher detergent in a separate space from all other cleaners. Show anyone who may use the dishwasher the correct detergent and where it is stored.

While there will be no lasting damage to the dishwasher, your dishes will not get clean using a dishwashing detergent that is not formulated for automatic dishwashers.

Loading

For best dishwashing results, follow these loading guidelines. Features and appearance of racks and cutlery basket may vary from your model.

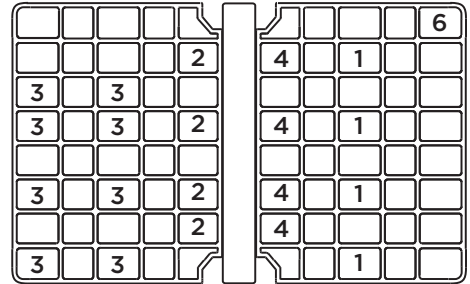
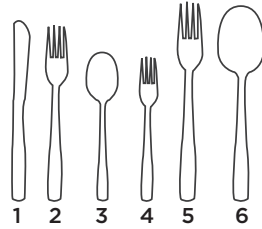
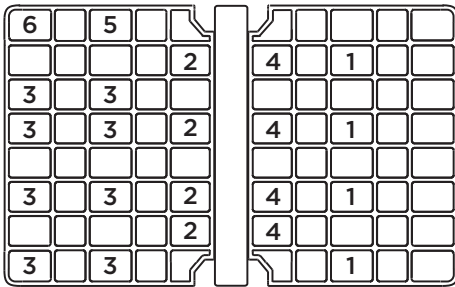
Recommended Loading

The dishwasher is tested to 10 CFR part 430 for energy and water consumption using the parameters detailed below.

Top Drawer and Cutlery Basket

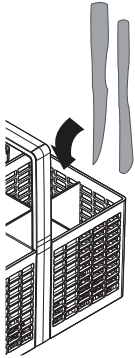


Bottom Drawer and Cutlery Basket

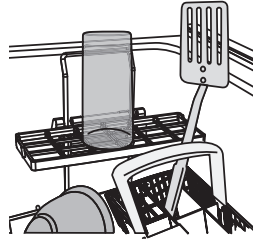


Loading

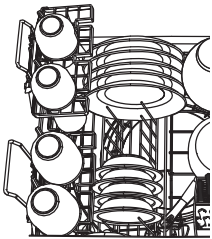
Dos and Don'ts of Loading



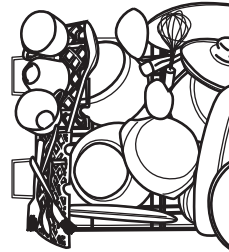
Sharp or pointed items must be placed horizontally or with sharp edges/points facing down to avoid risk of injury.



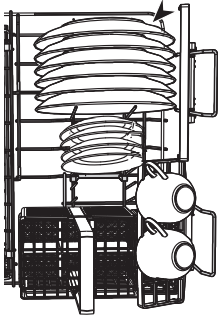
Protruding items will stop the internal lid of the dishwasher from sealing properly, which could result in a service call.



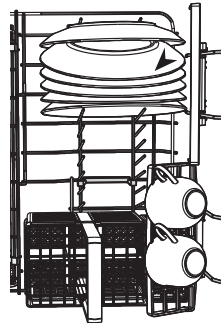
A neatly arranged load with evenly spaced dishes helps wash performance.



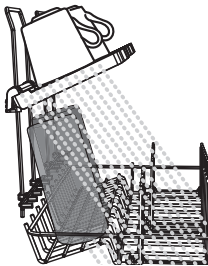
Overcrowding reduces wash performance.



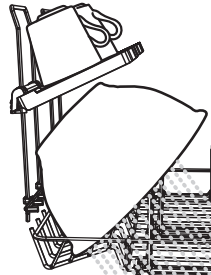
Ensure there is enough space between plates. Mix spoons, knives and forks within the cutlery basket to prevent them from nesting.



If plates and cutlery are nesting, they are less likely to be cleaned well.



Ensure that water reaches all items on the racks.



Dishware is blocking water from reaching items on the racks.

Loading

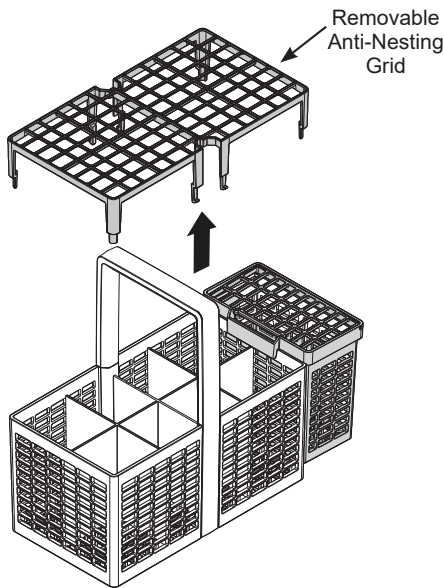
Cutlery Basket

Place flatware in the removable cutlery basket. Sharp objects, such as forks and knives, may be placed with the handles facing up, in order to protect your hands. For the best wash performance, place other items such as spoons with the handles facing down. Avoid allowing items to nest together, which may keep them from being properly washed. When loading, distribute items evenly in the basket.

The cutlery basket may also be used for small items, such as measuring spoons, baby bottle nipples, plastic lids, or corn cob holders.

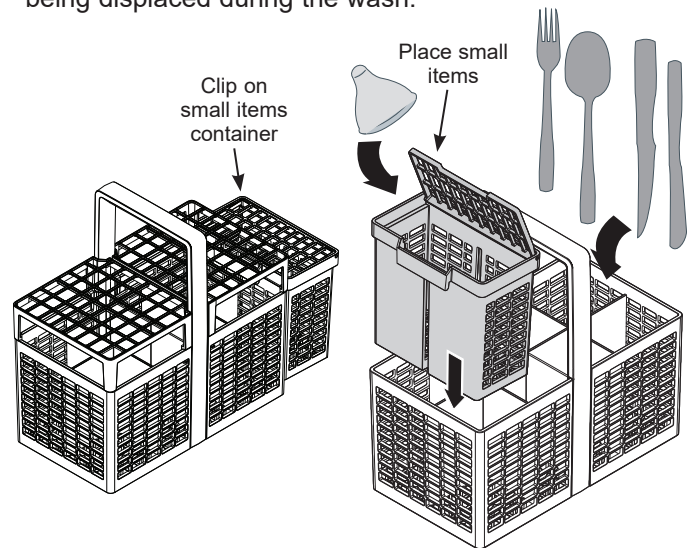
Removable Anti-Nesting Grid

- The anti-nesting grid clips onto the top of the cutlery basket.
- Use the grid to separate cutlery items and stop them from nesting together.



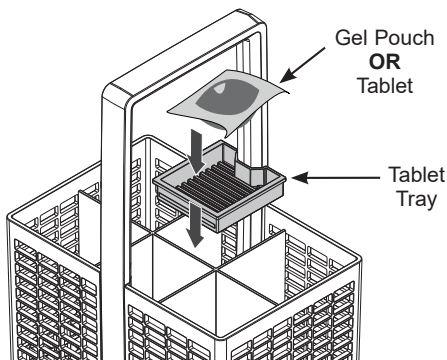
Removable Small Items Container

- You can extend the cutlery basket by clipping the small items container onto its side.
- Small, light items like baby bottle teats are best placed into the small items container to prevent them from being displaced during the wash.



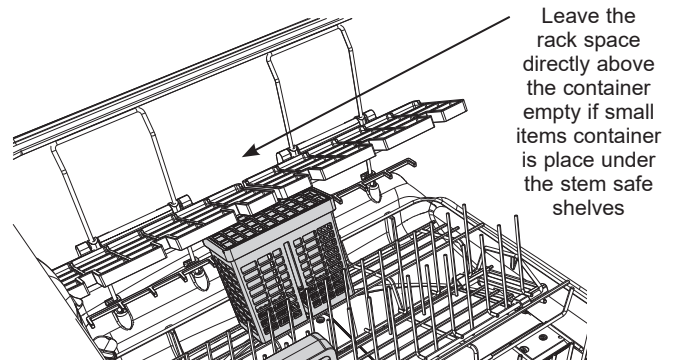
Removable Tablet Tray

- If using dishwasher gel pacs or tablets, place them on the removable tablet tray, as shown. When not in use make sure the removable tablet tray is securely stored outside of the dishwasher. See the **Dispensers** section for proper use of gel pouches and tablets.



Small Items Container Placement

- To optimize the cutlery space within the basket, the small items container can be placed elsewhere in the drawer.
- If you lay the container flat, make sure that the solid plastic side is facing up.
- If you place a fully laden container under the stem safe shelves, it is best to leave the rack space directly above the container empty - there may not be enough water reaching items that are placed above.



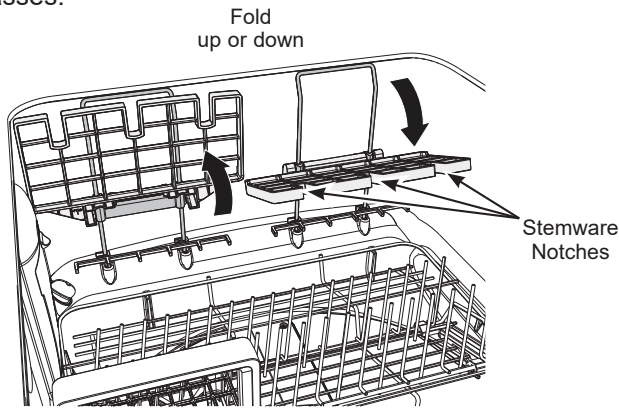
Loading

Racks - Stem Safe Shelves

To add flexibility in loading, the stem safe shelves can be placed in the up or down position. They may also be adjusted up or down.

Foldaway

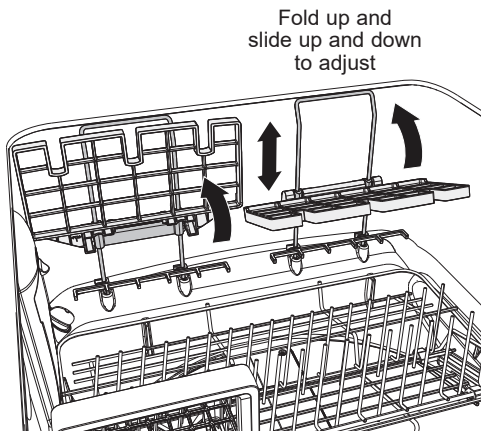
- They can be folded up or down independently of each other.
- Fold them down to use their stemware notches to help support long-stemmed glassware or for rows of cups.
- Fold them up for more space for taller items such as glasses.



Adjustable Height

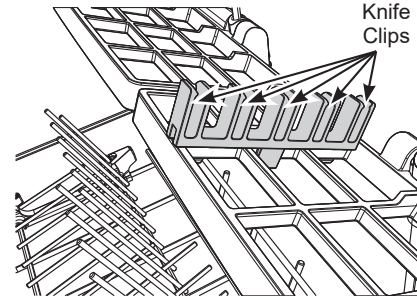
- The shelves are independently height adjustable to accommodate glassware and cups of varying heights.

- 1 Fold up to unlock the shelf.
- 2 Adjust to the desired height by sliding up or down.
- 3 Fold down to lock in position.



Racks - Knife Clips

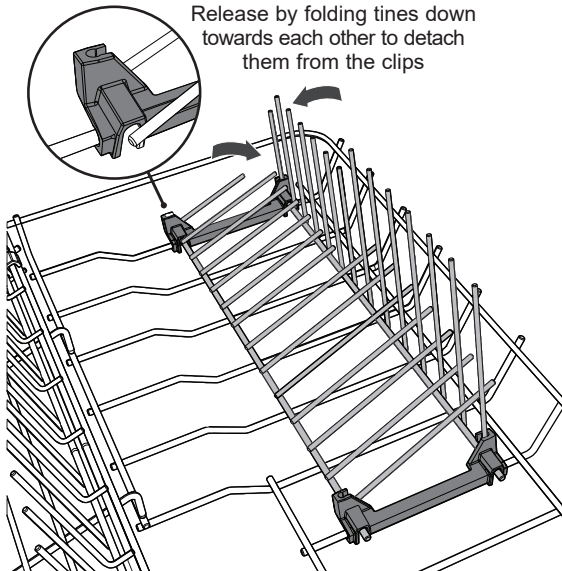
- The knife clips clip onto the adjustable racks and support knives and other utensils during the wash.
- Always ensure that knife blades are facing down.



Loading

Racks - Folding Tines

- For optimum stability, place larger plates between the longer tines in the front.
- Fold the tines down if you need the space for pots or other large items.
- Release by folding tines down towards each other to detach them from the clips at the rear of the unit.

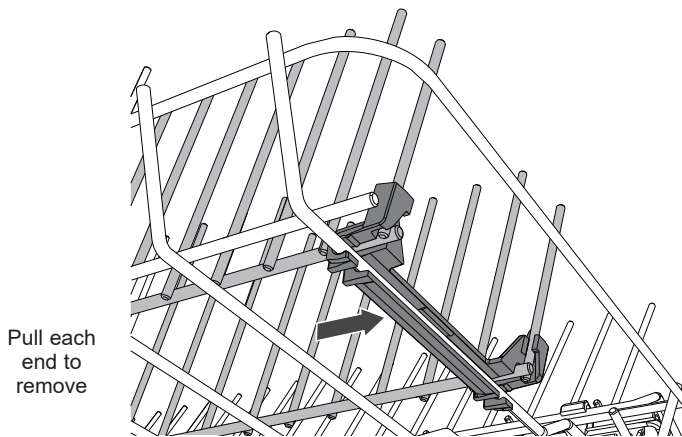


Removing the Folding Tines

The folding tines can be removed if so desired. However it is recommended you fold the tines down rather than removing them (if more space is needed in the dishwasher).

To remove:

Unclip the folding tine rack at each end by pulling firmly towards you.

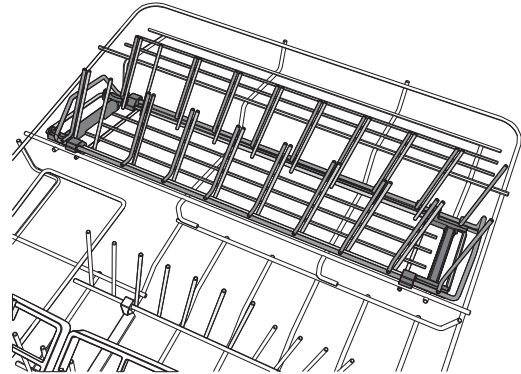


To replace:

Line up the clips with the base rack and push firmly to click into place.

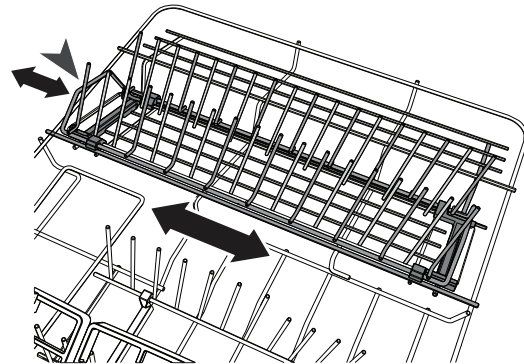
Removable Spacing-Adjustable Tine Rack

- Designed to fit deep bowls (wide spacing) or small plates (narrow spacing), depending on adjustment.



Adjust the Tine Spacing

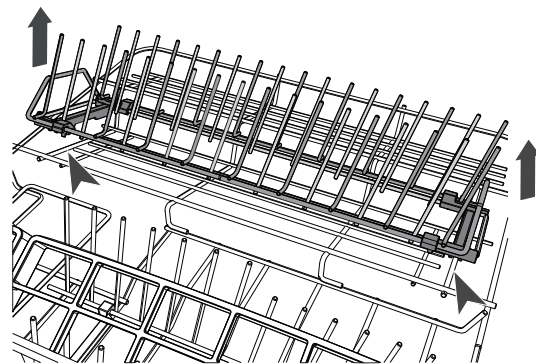
- To adjust between wide and narrow spacings, slide the tines backward or forward by pushing or pulling the handle at the front.



Remove the Rack to Make Space for Larger Items

To remove the rack:

Grip handles at the front and rear of the rack and pull up to unclip.



To replace the rack:

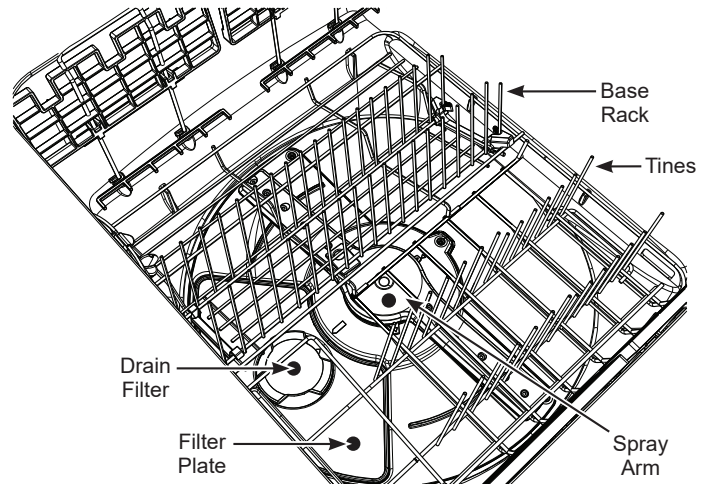
Align front and rear clips with the base of the basket and click into place.

Care and Cleaning

Drain Filter, Filter Plate and Spray Arm

We recommend that the drain filter and filter plate in each drawer are removed and cleaned about once a month in normal use or whenever there is evidence of food particles.

The spray arm in normal use should require cleaning less frequently.



Cleaning the Drain Filter and Filter Plate

IMPORTANT!

- If a dishwasher cleaner / descaler is used, you must run a wash program with detergent immediately afterward to prevent any damage to the dishwasher.
- The dishwasher must be used with the filter plate, drain filter and spray arm correctly in place.
- We recommend that you always use the dishwasher with the right hand fold down tine rack in place.

Remove the base rack first:

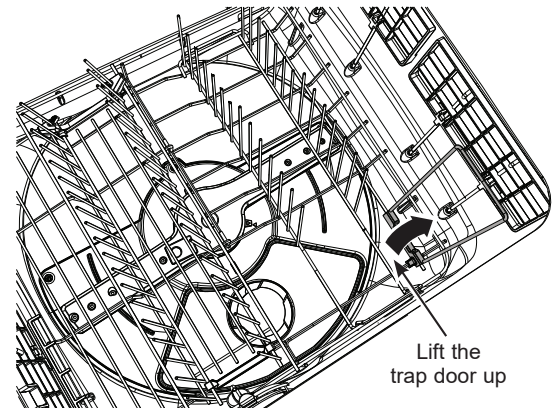
- 1 Unplug the dishwasher or turn it off at the power supply.

NOTE: For ease of access to the drain filter and filter plate you may find it easier to remove the whole base rack (including tine racks) first.

To remove the whole base rack: Lift the rack up from the back first, to prevent it knocking against the detergent and rinse aid dispenser, and lift out.

- 2 If the base rack is left in, to access the drain filter:

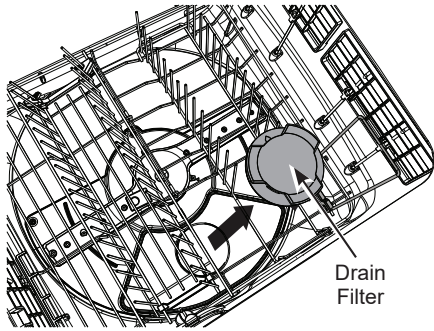
- Remove the cutlery basket.
- Lift the trap door up.



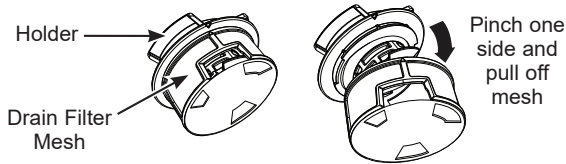
Care and Cleaning

Removing the Drain Filter and Filter Plate

- 3 Twist the circular drain filter counter-clockwise and lift to remove. It is normal to find some water under it.

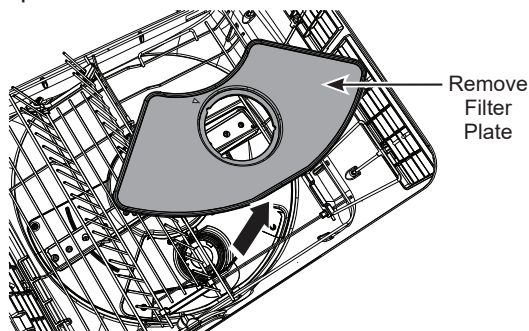


- 4 Remove the drain filter mesh by pinching one side only and pulling it off, as shown.



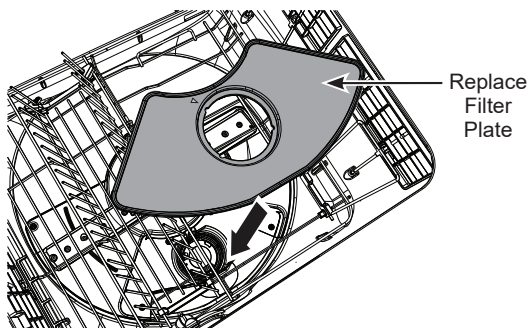
NOTE: Do not attempt to remove the drain filter mesh by pinching two opposing sides together as this may damage the drain filter mesh.

- 5 Wash both parts of the drain filter in hot soapy water and rinse thoroughly under running water.
- 6 Carefully lift the filter plate out. Remove any foreign material on either side, wash in hot soapy water and rinse thoroughly in clean water, then wipe with a damp cloth.



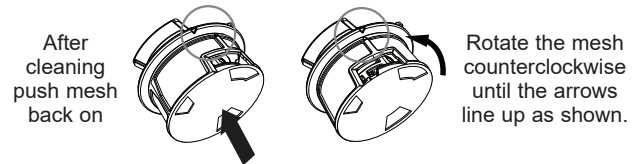
Replacing the Filter Plate and Drain Filter

- 7 Carefully replace the filter plate. Ensure it is fully pushed into position.

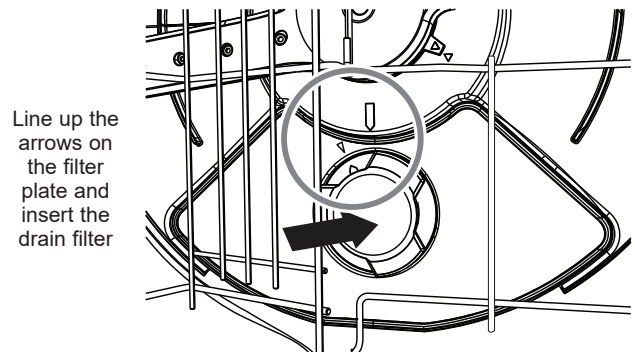


- 8 Refit the circular drain filter:

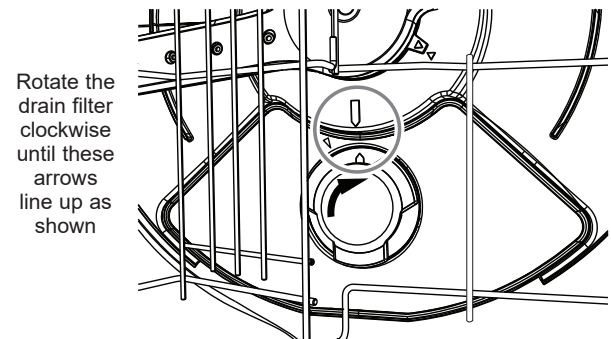
- a) Push the drain filter mesh back onto the holder. It should click into place.



- b) Rotate the drain filter mesh until the arrow on the mesh filter lines up with the arrow on the holder.
- c) Refit the drain filter into the drain hole by lining up the arrow on the top of the drain filter with the arrow on the filter plate.



- d) Rotate the drain filter clockwise until the arrow on the drain filter lines up with the arrow on the base of the drawer.



- 9 Replace the whole base rack (if removed).

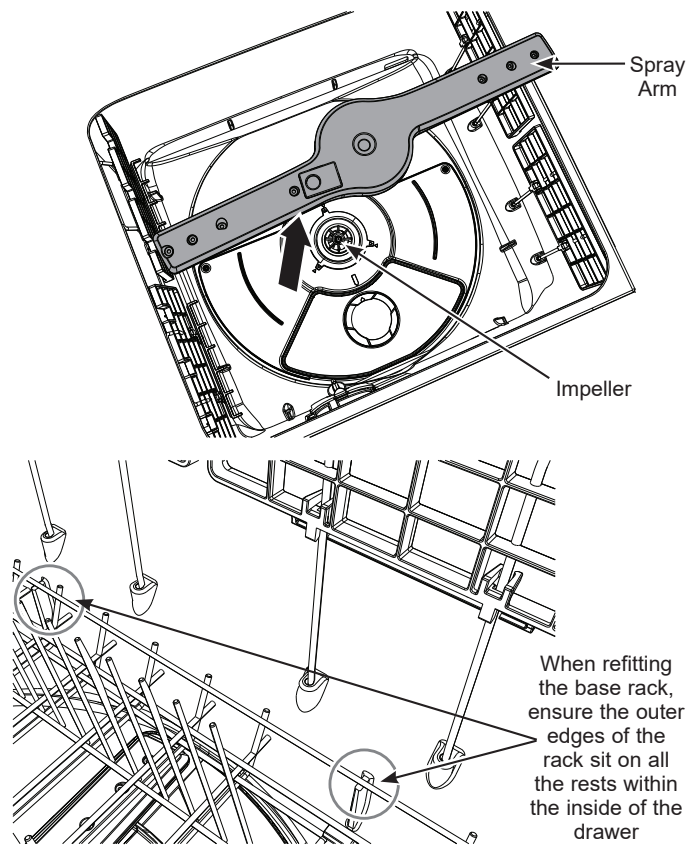
- 10 Fold down the trap door so it is resting on the base rack and replace the cutlery basket.

Care and Cleaning

Cleaning the Spray Arm

- 1 Unplug the dishwasher or turn it off at the power supply.
- 2 Unclip the glass supports (if fitted) from the rack wires and fold up all the foldaway stem safe shelves, so that they are all upright and close to the top.
- 3 Remove the base rack carefully. Lift from the back first to prevent knocking the detergent and rinse aid dispenser.
- 4 Lift the spray arm and shake any foreign material out. Rinse it clean under running water and wipe with a damp cloth.
- 5 Replace the spray arm back onto the impeller. Check that the spray arm is firmly seated and turns freely.
- 6 Replace the base rack, lowering its front edge into position first.
- 7 Plug the dishwasher back in or turn it on at the power supply.

NOTE: If there is broken crockery or glass in the drawer, it must be carefully removed to prevent damage to the dishwasher.



Care and Cleaning

Exterior Drawer Panels

Do **NOT** use Stainless Steel cleaners on the drawer surfaces. Use a clean, soft, lightly dampened cloth, then dry thoroughly. The Stainless Steel is coated to make it fingerprint resistant.

IMPORTANT!

We do not recommend the use of the following cleaning aids on your dishwasher as they may damage the surfaces:

- Plastic or stainless steel scouring pads
- Abrasive, solvent, household cleaners
- Acid or alkaline cleaners
- Hand washing liquids or soap
- Stainless steel cleaners or polishes
- Laundry detergents or disinfectants

Interior

To clean and de-odorize your dishwasher, use citric acid, or **Cascade® Platinum™ Dishwasher Cleaner** or **Finish® Dishwasher Cleaner**, a detergent additive. They will break up mineral deposits, and remove hard water film and stains.

You can order citric acid Café kit **WD35X151** through Café Parts by visiting cafeappliances.com/parts.

You can purchase dishwasher cleaners at your local grocery store.

Stainless Steel Drawers

The stainless steel used to make the drawers provides the highest reliability available in a Café dishwasher.

If the drawers should be scratched or dented during normal use, they will not rust or corrode. These surface blemishes will not affect their function or durability.

Protect Against Freezing

If your dishwasher is left in an unheated place during the winter, ask a service technician to:

- 1 Turn off electrical power to the dishwasher. Remove fuses or trip circuit breaker.
- 2 Turn off the water supply and disconnect the water inlet line from the water valve.
- 3 Drain water from the water inlet line and water valve. (Use a pan to catch the water.)
- 4 Reconnect the water inlet line to the water valve.

Does Your Dishwasher Have an Air Gap?

An air gap protects your dishwasher against water backing up into it if a drain clogs. The air gap is not a part of the dishwasher. It is not covered by your warranty. Not all plumbing codes require air gaps, so you may not have one.

Air gap



Check the air gap any time your dishwasher isn't draining well.

The air gap is easy to clean.

- 1 Turn off the dishwasher and lift off the air gap cover.
- 2 Remove the plastic cap under the cover and clean with a toothpick.
- 3 Replace the cap and cover when the air gap is clean.

Troubleshooting Tips... Before you schedule service

Problem	Possible Cause	What To Do
Dishes and flatware not clean	Filters are clogged	Clean filters. See the Care and Cleaning section.
	Wash program unsuitable for the load	See the Getting started section for a suitable wash program. Soils were too heavily baked on and dishes may need soaking.
	Spray arm unable to rotate	Ensure no items are obstructing the spray arm path. Make sure the spray arm is mounted correctly and free to rotate.
	Drawer overloaded/incorrectly loaded	See the Loading section.
	Filter plate/drain filter is incorrectly inserted	See the Care and Cleaning section.
	Detergent put in the wrong compartment of the dispenser	Detergent must be placed in the large compartment. See Detergent Dispensing in the Dispensing section.
	Excess food not removed from dinnerware prior to loading	Scrape all food scraps off dinnerware prior to loading.
	Spray arm holes are blocked	Clean the spray arm. See the Care and Cleaning section.
	Low inlet water temperature	Make sure inlet water temperature is correct. See Check the Water Temperature in the Getting started section). Turn on the hot water faucet nearest the dishwasher, let run until the water temperature stops rising. Then start the dishwasher and turn off the faucet. This ensures the entering water is hot.
	Water pressure is temporarily low	Turn on a faucet. Is water coming out more slowly than usual? If so, wait until pressure is normal before using your dishwasher. Normal water pressure to the dishwasher should be 20-120 psi.
	Air gap or disposer clogged	Clean the air gap or flush the disposer.
	High drain loop or air gap not installed	Refer to the Installation Instructions for proper drain line installation.
	Improper rack loading	Make sure large dishware does not block the detergent dispenser or the wash arms. See the Loading section.
	Poor performing detergent	Use high quality detergents such as Cascade® Platinum™ ActionPacs™ or Finish® Quantum® Automatic Dishwashing Detergent .
Not enough detergent	Add detergent. See Detergent Dispensing in the Dispensers section.	
Cloudiness on glassware	Combination of soft water and too much detergent	This is called etching and is permanent. To prevent this from happening, use less detergent if you have soft water. Wash glassware in the shortest cycle that will get it clean.
	Low performing phosphate-free detergent	See A white film on glassware, dishware and the interior in this Troubleshooting Tips section.
	Water temperature entering the dishwasher exceeds 150°F	This could be etching. Lower the water heater temperature.
A white film on glassware, dishware and the interior	This problem is likely caused by a low quality phosphate-free dishwasher detergent	To remove the white film, run your dishes through a dishwasher cycle with citric acid. Use a WD35X151 citric acid kit found online. Otherwise, use high quality rinse agents such as Cascade® Platinum™ Dishwasher Cleaner or Finish® Dishwasher Cleaner found at your local grocery store. Pour the citric acid in the detergent cup and close the cover. Place the filmed but otherwise clean glassware and dishware in the dishwasher. Leave silverware and other metal items out of the dishwasher. Turn the dishwasher on and let it run through a complete cycle without detergent. The glassware, dishware, and dishwasher should come out film free.

Troubleshooting Tips... Before you schedule service

Problem	Possible Cause	What To Do
Spots and filming on glasses and flatware	Extremely hard water	Increase the rinse aid setting and the amount of detergent. See the Dispensers section. Use high quality rinse agents such as Cascade® Platinum™ Power Dry™ Rinse Aid or Finish® Jet-Dry® Rinse Aid to prevent spots and prevent new film build-up. If water is extremely hard, a softener may be required.
	Low inlet water temperature	Make sure water temperature is at least 120°F.
	Overloading or improper loading of the dishwasher	Load dishwasher as shown in the Loading section.
	Old or damp powder detergent	Make sure detergent is fresh. Use high quality detergents such as Cascade® Platinum™ ActionPacs™ or Finish® Quantum® Automatic Dishwashing Detergent .
	Rinse agent dispenser empty	Refill with high quality rinse agents such as Cascade® Platinum™ Power Dry™ Rinse Aid or Finish® Jet-Dry® Rinse Aid .
	Rinse aid setting too low or off	Increase/turn on the rinse aid setting. See Use a Rinse Agent in the Dispensers section.
	Too little or low performing detergent	Make sure you use the proper amount of highly rated powder detergent.
Black or gray marks on dishes	Aluminum utensils have rubbed against dishes	Remove marks with a mild, abrasive cleaner.
Dishes don't dry	Normal wash program used	Choose Plus or Pots wash program.
	Overloading or improper loading of the dishwasher	Load dishwasher as shown in the Loading section.
	Additional drying time is needed	Leave drawer closed after the wash program has stopped to allow the fan to run as needed. Select Ultra Dry option to add additional drying time. NOTE: If you open the drawer, this fan extension will be cancelled.
	Low inlet water temperature	Make sure inlet water temperature is at least 120°F. Select Ultra Dry . Select a higher cycle, such as Plus or Pots .
	Rinse agent dispenser is empty	Check the rinse agent dispenser and fill as required.
	Rinse aid setting too low or off	Increase/turn on the rinse aid setting. See Use a Rinse Agent in the Dispensers section.
	Dishes were left in the drawer for several hours after a wash	We recommend unloading the dishes within a few hours after a wash program has finished, as the small amount of vapor left after the wash may, with time, resettle on dishes as condensation. Using rinse aid or increasing its setting will also help with drying.
Program is taking much longer than usual	Wrong type of detergent used Auto recovery program has been triggered to stop the dishwasher overflowing and to disperse excess foam.	No action required. Allow the program to finish. NOTE: You may need to run your chosen wash program again with the correct detergent if the dishes are not clean at the end of the recovery program.
The wash program seems to have finished (the dishwasher is idle), but the end of wash beeps haven't sounded and the drawer cannot be opened	The wash program is still in progress. It is in a 'quiet' phase that is needed for ensuring the best wash results.	No action required. The program will transition into a more audible phase after the 'quiet' phase is over.

Troubleshooting Tips... Before you schedule service

Problem	Possible Cause	What To Do
Intermittent beeping	Dishwasher is in pause mode	Press ► on the control panel then close the drawer to resume the program.
Sanitized light flashes when the drawer is opened at the end of the cycle	A drawer was opened and the cycle was interrupted during the final rinse	Do not interrupt the cycle by opening a drawer during the wash cycle.
	The incoming water temperature was too low	Raise the water heater temperature to between 120°F and 150°F.
Detergent left in dispenser	Dishes or utensils are blocking the detergent cup	Reposition the dishes, so the water from the lower spray arm can flush the detergent cup. See the Loading section. Reposition the tall utensils or heavy silverware that may be keeping the dispenser cup door from opening. See the Loading section. Don't place large bowls or pots directly in front of the detergent dispenser.
Powder detergent not dispensed	Detergent dispenser was wet when loaded	Clean the dispenser and ensure it is dry before adding powder detergent.
Suds in the drawers	Wrong amount of detergent	See Detergent Dispensing in the Dispensers section.
	Wrong detergent	Use only high quality automatic dishwasher detergents to avoid sudsing. Cascade® Platinum™ ActionPacs™ or Finish® Quantum® Automatic Dishwashing Detergent have been approved for use in all Café dishwashers. To remove suds from the dishwasher, open the drawers and let suds dissipate.
	Rinse aid setting too high	Decrease the rinse aid setting. See Use a Rinse Agent in the Dispensers section.
	Rinse aid dispenser plug not closed tightly enough	Ensure that the rinse aid dispenser plug is fully closed, with its finger grip pointing vertically. See Use Rinse Aid in the Dispensers section.
	Rinse agent was spilled	Always wipe up rinse agent spills immediately.
Water under the drain filter	This is normal	No action is needed.
Drawer interior is stained	White film on inside surface— hard water minerals	Café recommends high quality rinse agents such as Cascade® Platinum™ Power Dry™ Rinse Aid or Finish® Jet-Dry® Rinse Aid to help prevent hard water mineral deposits from forming. Run dishwasher with citric acid to remove mineral deposits. Citric acid (Part number: WD35X151) can be ordered through GE Appliances Parts. See back cover for ordering information. Alternatively, purchase Cascade® Platinum™ Dishwasher Cleaner or Finish® Dishwasher Cleaner and follow the directions on the label.
	Some foods, like tomato based products, may stain the inside of the drawer	Pre-rinse dishes before placing in the drawer. Alternatively, using the Rinse program after adding the dishes may minimize staining.
Hard Water	Living in an area with very hard water	Increase the rinse aid setting and the amount of detergent. See the Dispensers section. If living in an area with very hard water, consult a plumber on installing a household water softener.

Troubleshooting Tips... Before you schedule service

Problem	Possible Cause	What To Do
Water standing in the dishwasher	Air gap is clogged	Clean the air gap. See the Care and Cleaning section.
	High drain loop or air gap not installed	Refer to the Installation Instructions for proper drain line installation.
	Drain hose(s) bent or kinked	Straighten the drain hose(s).
	Filters blocked	Clean the filter plate/drain filter. See the Care and Cleaning section.
Water won't pump out of the dishwasher	Drain is clogged	If you have an air gap, clean it. See the Care and Cleaning section. If the dishwasher drains into a disposer, run disposer clear. Check to see if your kitchen sink is draining well. If not, you may need a plumber.
Dishwasher won't run	The start (▶) button was not pressed	Press the start (▶) button.
	The drawer is not closed properly	Ensure the drawer is free from any objects and firmly closed.
	Dishwasher drawer is in "showroom mode"	Contact Café for further information.
	Fuse is blown or circuit breaker is tripped	Replace fuse or reset circuit breaker. Remove any other appliances from the circuit.
	Power is not connected or turned off	Connect power, replace fuse or reset circuit breaker. Remove any other appliances from the circuit.
	Keylock or Childlock is on	Unlock controls. See Lock Options in the Getting started section.
	Possible leak is detected	Some models are equipped with leak detection and the cycle will be cancelled if a leak is detected. See Leak Protection in the Getting started section. Contact Café for service.
Control panel responded to inputs but dishwasher never filled with water	Drawer may not be completely closed	Make sure the drawer is firmly closed.
	Water valve may be turned off	Make sure water valve (usually located under the sink) is turned on.
Drawer will not open (no beeping, no wash in progress)	Childlock feature is on	Turn the Childlock off. See Lock Options in the Getting started section.
	Closed drawer auto lock is on	Knock once on the right side of the drawer front and open drawer within 30 seconds.
Power failure during wash program	Power outage in your home or area	Wait until power resumes, program will restart in same part of wash program.
Dishwasher does not recognize when I knock on the drawer front to pause or unlock it	Not knocking hard enough or not knocking on the right side of the drawer front	Ensure you are knocking firmly on the right side of the drawer front, rather than using a light tap.
	Drawer front knock sensor is incorrectly installed or calibrated	Contact Café for service.
Dishwasher is registering taps and bumps as knocks and pausing inadvertently	Drawer front knock sensor is incorrectly installed or calibrated	Contact Café for service.

Troubleshooting Tips... Before you schedule service

Problem	Possible Cause	What To Do
Noise	Normal operating sounds: Beeping at the end of the cycle (on some models) Detergent cup opening Water entering dishwasher Motor stops and starts at various times during cycle Spray arms start and stop at various times Drain pump sounds during pump out Drain pump starts and stops several times during each drain	These are all normal. No action is required.
	Rattling dishes when the spray arm rotates	Make sure dishes are properly loaded. See the Loading section.
Fan noise starts up when I close the drawer, even though I didn't start a new wash	This is normal. In some cases, the drying fan will run whenever the drawer is closed for a set period of time after a program has finished.	No action required. The fan will automatically stop after the set time is over.
Fan noise coming from the dishwasher after a wash program has finished	This is normal. The drying fan continues to run for a set period of time after a program has finished to assist with drying.	No action required. The fan will automatically stop after the set time is over, or when the drawer is opened. In some cases, the fan may resume when the drawer is closed again.
Excessive motor noise	No water in the motor area	This usually occurs on the first use or when the dishwasher has not been used for long periods of time. Pour 3 cups of water into the drawer before running a wash program.
Water pooling on inner rim of drawer after a wash	This is normal condensation	Wipe dry.
Water leaking	Drain hose disconnected from waste pipe	Reconnect the drain hose to the waste pipe.
	Water inlet hose not properly connected	Ensure the inlet hose is connected securely.
	Other leaks	Turn water and power supplies to the dishwasher off. Contact Café for service.
	Rinse aid dispenser plug not closed properly	Ensure that the rinse aid dispenser plug is fully closed, with its hand grip pointing vertically. See Use a Rinse Agent in the Dispensers section.

Café Dishwasher Limited Warranty

cafeappliances.com

All warranty service is provided by our Factory Service Centers, or an authorized service technician. To schedule service online, visit us at cafeappliances.com/service.

Servicing your appliance may require the use of the onboard data port for diagnostics. This gives a Café factory service technician the ability to quickly diagnose any issues with your appliance and helps Café improve its products by providing Café with information on your appliance. If you do not want your appliance data to be sent to Café, please advise your technician not to submit the data to Café at the time of service.

For the period of:	We will replace:
One year From the date of the original purchase	Any part of the dishwasher which fails due to a defect in materials or workmanship. During this limited one-year warranty , we will also provide, free of charge , all labor and related service to replace the defective part.

What is not covered:

- Service trips to your home to teach you how to use the product.
- Improper installation, delivery or maintenance.
- Failure of the product if it is abused, misused, or used for other than the intended purpose or used commercially.
- Replacement of house fuses or resetting of circuit breakers.
- Products which are not defective or broken, or which are working as described in the Owner's Manual.
- Damage to the product caused by accident, fire, floods or acts of God.
- Incidental or consequential damage caused by possible defects with this appliance.
- Defects or damage due to operation in freezing temperatures.
- Damage caused after delivery.
- Product not accessible to provide required service.
- Cleaning or servicing of the air gap device in the drain line.

EXCLUSION OF IMPLIED WARRANTIES

Your sole and exclusive remedy is product repair as provided in this Limited Warranty. Any implied warranties, including the implied warranties of merchantability or fitness for a particular purpose, are limited to one year or the shortest period allowed by law.

This limited warranty is extended to the original purchaser and any succeeding owner for products purchased for home use within the USA. If the product is located in an area where service by a Café Authorized Servicer is not available, you may be responsible for a trip charge or you may be required to bring the product to an Authorized Café Service location for service. In Alaska, the limited warranty excludes the cost of shipping or service calls to your home.

Some states do not allow the exclusion or limitation of incidental or consequential damages. This limited warranty gives you specific legal rights, and you may also have other rights which vary from state to state. To know what your legal rights are, consult your local or state consumer affairs office or your state's Attorney General.

Warrantor: GE Appliances, a Haier Company
Louisville, KY 40225

Extended Warranties: Purchase a Café extended warranty and learn about special discounts that are available while your warranty is still in effect. You can purchase it online anytime at

cafeappliances.com/extended-warranty.

Café Service will still be there after your warranty expires.

LIMITED WARRANTY

Staple your receipt here. Proof of the original purchase date is needed to obtain service under the warranty.

Consumer Support

Café Website

Have a question or need assistance with your appliance? Try the Café website 24 hours a day, any day of the year! You can also shop for more great Café products and take advantage of all our on-line support services designed for your convenience.

cafeappliances.com

Register Your Appliance

Register your new appliance on-line at your convenience! Timely product registration will allow for enhanced communication and prompt service under the terms of your warranty, should the need arise. You may also mail in the pre-printed registration card included in the packing material.

cafeappliances.com/register

Schedule Service

Expert Café repair service is only one step away from your door. Get on-line and schedule your service at your convenience any day of the year.

cafeappliances.com/service.

Extended Warranties

Purchase a Café extended warranty and learn about special discounts that are available while your warranty is still in effect. You can purchase it on-line anytime. Café Service will still be there after your warranty expires.

cafeappliances.com/extended-warranty

Parts and Accessories

Individuals qualified to service their own appliances can have parts or accessories sent directly to their homes (VISA, MasterCard and Discover cards are accepted). Order on-line today 24 hours every day.

cafeappliances.com/parts

Instructions contained in this manual cover procedures to be performed by any user. Other servicing generally should be referred to qualified service personnel. Caution must be exercised, since improper servicing may cause unsafe operation.

Contact Us

If you are not satisfied with the service you receive from Café, contact us on our website with all the details including your phone number, or write to:

General Manager, Customer Relations, Café | Appliance Park | Louisville, KY 40225

cafeappliances.com/contact



DISTINCT BY DESIGN™

Manual del Propietario

Lavavajillas

Modelos: CDD420 Serie

Contenido

Información de Seguridad	3	Cuidado y Limpieza	18
Uso del lavavajillas		Consejos para la Solución de Problemas	22
Puesta en Marcha	6	Garantía Limitada	27
Dispensadores	10	Soporte para el Consumidor	28
Carga del lavavajillas	13		

Escriba el modelo y los números de serie a continuación:

Modelo No: _____

Serial No: _____

Los encontrará en la cara frontal del marco del lavavajillas, entre los cajones, sobre el lado izquierdo.

GRACIAS POR HACER QUE CAFÉ SEA PARTE DE SU HOGAR.

Sentimos orgullo por el nivel de arte, innovación y diseño de cada uno de los electrodomésticos de Café, y creemos que usted también. Entre otras cosas, el registro de su electrodoméstico asegura que podamos entregarle información importante del producto y detalles de la garantía cuando los necesite.

Registre su electrodoméstico Café ahora a través de Internet. Sitios Web útiles están disponibles en la sección de Soporte para el Consumidor de este Manual del Propietario. También puede enviar una carta en la tarjeta de inscripción preimpresa que se incluye con el material embalado.



INFORMACIÓN IMPORTANTE DE SEGURIDAD

LEA TODAS LAS INSTRUCCIONES ANTES DE USAR

⚠ADVERTENCIA Para su seguridad, siga las instrucciones de este manual a fin de minimizar riesgos de incendio, explosión, descargas eléctricas, y para evitar daños en su propiedad, lesiones personales o la muerte.

⚠ADVERTENCIA INSTALACIÓN Y MANTENIMIENTO ADECUADOS

Esta lavadora se deberá instalar y ubicar de acuerdo con las Instrucciones de Instalación antes de ser usada. Si no recibió una ficha de Instrucciones de Instalación con su lavavajillas, podrá acceder a una visitando nuestro sitio web en cafeappliances.com.

- Conecte el lavavajillas/ electrodoméstico a un sistema de cableado de metal permanente con conexión a tierra o se debe tender un conducto para la conexión a tierra del equipo con los conductores del circuito y conectado al terminal de tierra del equipo o al conductor de suministro del electrodoméstico.
 - Una conexión inapropiada del conductor de conexión a tierra del equipo puede provocar riesgos de descargas eléctricas. Consulte a un electricista calificado o personal del servicio técnico si tiene dudas de que el electrodoméstico se encuentre conectado a tierra apropiadamente.
 - Las instrucciones detalladas de conexión a tierra se pueden encontrar en la sección "Préparation de l'installation" de las Instrucciones de instalación.
 - Deshágase de forma correcta de electrodomésticos y materiales de envío o embalajes descargados.
 - No intente reparar o reemplazar ninguna parte de la cocina, a menos que se lo recomiende específicamente en este manual. Cualquier otra reparación deberá ser realizada por un técnico calificado.
 - Utilice solo la extensión o alambrado directo a la electricidad del edificio como se describe en las Instrucciones de Instalación. Si no se siguen estas instrucciones, se pueden producir riesgos de incendio y lesiones personales.
 - A fin de minimizar la posibilidad de descargas eléctricas, desconecte este electrodoméstico del suministro de corriente antes de intentar cualquier mantenimiento.
- NOTA:** Apagar el lavavajillas no desconecta el electrodoméstico del suministro de corriente. Le recomendamos que el servicio técnico de su electrodoméstico sea realizado por un técnico calificado.

⚠ADVERTENCIA AL USAR SU LAVAVAJILLAS, SIGA LAS PRECAUCIONES BÁSICAS, INCLUYENDO LO SIGUIENTE:

- Use este electrodoméstico sólo para su propósito original, como se describe en el Manual del Propietario.
- Use sólo detergentes o agentes humectantes recomendados para use con un lavavajillas y mantenga los mismos fuera del alcance de los niños. El uso de un detergente que no esté diseñado específicamente para lavavajillas hará que este último se llene de agua con jabón.
- Ubique artículos puntiagudos de modo que no haya posibilidades de daños sobre el sellador de la puerta.
- Cargue los cuchillos puntiagudos con los mangos hacia arriba, a fin de reducir el riesgo de lesiones por cortes.
- No lave productos de plástico, a menos que contengan una marca de seguridad en lavavajillas o su equivalente. Cuando se trate de productos de plástico que no estén marcados de esta manera, consulte las recomendaciones del fabricante.
- No use su lavavajillas a menos que todos los paneles de cercamiento estén correctamente en sus lugares.
- No manipule indebidamente los controles.
- No abuse, no se siente, ni se pare sobre el cajón del lavavajillas.
- A fin de reducir el riesgo de incendios, no permita que los niños jueguen con, sobre o dentro de este electrodoméstico en cualquier momento.
- No guarde ni use materiales combustibles, incluyendo gasolina u otros líquidos o vapores inflamables cerca de éste o de otros electrodomésticos.
- Las piezas pequeñas pueden generar riesgos de asfixia en niños pequeños si son retirados del lavavajillas. Mantenga fuera del alcance de los niños pequeños.

LEA Y GUARDE ESTAS INSTRUCCIONES

INFORMACIÓN IMPORTANTE DE SEGURIDAD

LEA TODAS LAS INSTRUCCIONES ANTES DE USAR

▲ **ADVERTENCIA** SEGURIDAD DEL CALENTADOR DE AGUA

Bajo ciertas condiciones, se podrá producir gas de hidrógeno en un calentador de agua que no fue usado por dos semanas o más. **EL GAS DE HIDRÓGENO ES UN EXPLOSIVO.**

If the hot water has not been used for two or more weeks, prevent the possibility of damage or injury by turning on all hot water faucets and allowing them to run for several minutes. Do this before using any electrical appliance connected to the hot water system. This simple procedure will allow any built-up hydrogen gas to escape. Since the gas is flammable, do not smoke, use an open flame, or use the appliance during this process.

▲ **ADVERTENCIA** RIESGO DE QUE UN NIÑO QUEDE ATRAPADO

FORMA ADECUADA DE DESCARTAR EL LAVAVAJILLAS

Los lavavajillas tirados o abandonados son peligrosos...incluso aunque se conserven por "sólo unos pocos días". Si se deshará de su lavavajilla, siga las siguientes instrucciones a fin de evitar accidentes.

- No permita que los niños jueguen con, en, o dentro de éste o cualquier electrodoméstico que haya descartado.

▲ **PRECAUCIÓN** A FIN DE EVITAR LESIONES MENORES Y DAÑOS SOBRE LA PROPIEDAD

- Durante o después del ciclo de lavado, es posible que los contenidos estén calientes al tacto. Tenga cuidado antes de tomar los mismos.
- Se deberá estar especialmente atento si el electrodoméstico es usado por niños o se encuentra cerca de los mismos. No permita que los niños jueguen alrededor del lavavajillas al cerrar las gavetas debido a la posibilidad de pillarse los dedos pequeños.
- Productos que no sean utensilios: no lave artículos tales como filtros electrónicos de limpieza con aire, filtros de horno y brochas de pintura en su lavavajillas. Se podrán producir daños, descoloración o manchas sobre el lavavajillas.
- Cargue artículos de plástico livianos, de modo que no sean desplazados ni caigan al fondo del lavavajillas.

▲ **PRECAUCIÓN**

- Bajo ninguna circunstancia se deberá abrir el cajón mientras el lavavajillas se encuentre en funcionamiento.
- Siempre golpee el frente del cajón para pausar el lavavajillas y espere hasta que escuche los cuatro pitidos adicionales antes de abrir el cajón.
- El lavavajillas se deberá usar con el ensamble del motor, la placa del filtro, el filtro de drenaje y el brazo rociador en sus posiciones. A fin de identificar cuáles son cada una de estas partes, consulte la sección de Cuidado y Limpieza de este Manual del Propietario.
- Al cargar el cajón, tenga cuidado de no colocar ítems de vajilla de modo tal que impidan que la tapa interior se selle de forma correcta con el cajón. Los ítems se deberán colocar de modo que no sobresalgan sobre la parte superior y/o sean forzados en el cajón; de otro modo, podrá ser necesario llamar al servicio técnico.
- La limpieza y mantenimiento del usuario no deberán ser realizados por niños sin supervisión.
- Si el lavavajillas no se utiliza durante períodos de tiempo prolongados, corte los suministros de electricidad y agua al lavavajillas.

▲ **AVISO**

- Use sólo polvo, **Cascade® Platinum™ ActionPacs™** o **Finish® Quantum® Automatic Dishwashing Detergent** o agentes de enjuague recomendados para uso con un lavavajillas y mantenga los mismos fuera del alcance de los niños. El Detergente para Lavavajillas Automáticos **Cascade® Platinum™ ActionPacs™** o **Finish® Quantum® Automatic Dishwashing Detergent**, y los agentes de enjuagues **Cascade® Platinum™ Power Dry™ Rinse Aid** o **Finish® Jet-Dry® Rinse Aid** fueron aprobados para su uso en todos los lavavajillas de Café.

LEA Y GUARDE ESTAS INSTRUCCIONES

INFORMACIÓN IMPORTANTE DE SEGURIDAD

LEA TODAS LAS INSTRUCCIONES ANTES DE USAR

REQUISITOS ELÉCTRICOS

Asegúrese de que la conexión eléctrica y el tamaño del cable sean los adecuados y que cumplan con el Código Nacional de Electricidad, ANSI/NFPA 70 – última edición, y con todos los códigos y ordenanzas locales.

Este electrodoméstico deberá contar con:

- 120V, 60Hz, CA - únicamente, 15 amperes o 20 amperes, suministro eléctrico con fusible.
- El cableado deberá constar de 2 cables con tierra y resistente a 75°F (167°F).

- Si el suministro eléctrico provisto no cumple con los requisitos anteriores, llame a un electricista matriculado antes de proceder.

Se recomienda contar con:

- Un disyuntor y un fusible de retardo.
- Un circuito de empalmes individual correctamente conectado a tierra.

Forma adecuada de descartar su electrodoméstico

- Descarte o recicle su electrodoméstico de acuerdo con las Regulaciones Federales y Locales. Comuníquese con las autoridades locales para descartar o reciclar su electrodoméstico de forma ambientalmente segura.
- Tenga en cuenta las opciones de reciclaje del material de embalaje de su electrodoméstico.

LEA Y GUARDE ESTAS INSTRUCCIONES

Puesta en Marcha

Inicio Rápido

Este lavavajillas funciona de forma diferente que la mayoría de los lavavajillas. Cuando un ciclo está en funcionamiento, el cajón queda bloqueado. Para abrir el cajón a mitad de un ciclo, se deberá pausar el ciclo. Debido a que no hay controles en la parte exterior del lavavajillas, se deberá golpear el frente del cajón, dar 2 golpes, esperar 3 segundos y luego abrir el cajón. Presione ► para reiniciar el ciclo.



Las características y la apariencia variarán a lo largo de este manual

Indicadores

Apagado/ Encendido – Abrir el cajón activará el lavavajillas de forma automática. Si el lavavajillas se encuentra detenido, presione cualquier botón para su reactivación.

- 1** **Observe los Indicadores del Programa**
Si está iluminado: El programa de lavado fue seleccionado.
- 2** **Indicador de Bloqueo**
Si está iluminado: Key lock (Bloqueo de Teclado) y Childlock (Bloqueo para Niños) se encuentran activados.
- 3** **Indicadores de Opciones de Lavado**
If lit: La opción del ciclo de lavado fue seleccionada. La duración y temperatura del programa de lavado se configurarán de forma correspondiente.
- 4** **Indicador de Inicio con Demora**
Si está iluminado: El inicio con demora se encuentra configurado. El programa de lavado comenzará luego de la demora del tiempo seleccionado (1 a 12 horas).

Controles

- A** **Selector del Ciclo de Lavado**
Presione >> para pasar a través de los programas de lavado disponibles y seleccione el que desee.
NOTA: Cada cajón podrá funcionar de forma independiente del otro cajón o al mismo tiempo que el otro cajón.
- B** **Selector de Opciones**
Presione ≡ para pasar a través de las opciones de lavado.
NOTA: No todas las opciones están disponibles para todos los programas de lavado.
- C** **Selector de Inicio (en el panel de control interior)**
Para Iniciar el Lavado: Presione ► en el panel de control antes de cerrar el cajón.
Para Pausar: Dé dos golpes de manera firme sobre el frente del cajón.
 - Espere los tres tonos cortos y uno largo antes de abrir el cajón.**NOTA: Forzar la apertura del cajón a mitad del ciclo podrá ocasionar daños o lesiones.**
 - Si el lavavajillas no se reinicia dentro de los siete minutos, sonará de manera intermitente hasta que se reinicie.

Inicio con Demora

Para Configurar el Inicio con Demora: Mantenga presionado ► y configure el tiempo de inicio con demora. Cada tono indica una demora de 1 hora (hasta durante 12 horas). El indicador de inicio con demora ⌚ se iluminará.

- Si al realizar la selección pasa la opción 12h (12 horas), el lavavajillas anulará el inicio con demora. A fin de reingresar el inicio con demora, siga las instrucciones anteriores.
- El lavado comenzará cuando el tiempo de demora finalice, siempre que el cajón se encuentre cerrado.

Si el cajón no se cierra dentro de los 4 segundos desde la configuración del inicio con demora, O si el cajón se abre luego de que el inicio con demora haya sido configurado (por ejemplo: para cargar más platos), el inicio con demora se suspenderá.

Para Reiniciar: Presione ► y cierre el cajón.

Para Cancelar el Inicio con Demora × : Mantenga presionado ►.

- Si hay alguna cantidad de agua en el cajón, ésta será drenada de forma automática antes del apagado del lavavajillas.

Puesta en Marcha

Protección contra Pérdidas

Si se detecta una pérdida, el lavavajillas será drenado, el ciclo se detendrá y las luces del panel de control que se indican más abajo se encenderán. Si esto sucede, comuníquese con Café para solicitar el servicio técnico.



1 Descarte Restos de Comida

Raspe y elimine partículas grandes de comida (por ej.: huesos, carozos de fruta) y retire cualquier objeto extraño (por ej.: palillos, hilos, papel).

2 Cargue los Platos con Cuidado – Para más información, consulte la sección de **Carga**.

Como ayuda para el rendimiento del lavado, organice los platos que modo que estén espaciados de forma pareja y no apilados.

¡IMPORTANTE!

Acomode los platos hasta una altura máxima de 11" para los cajones inferiores o de 12-1/4" para los cajones superiores.

3 Controle el brazo(s) rociador - Para más información, consulte la sección de **Cuidado y Limpieza**.

Controle que el brazo rociador se encuentre montado de forma correcta, girando el mismo con su mano. Antes de un lavado, asegúrese de que no haya ítems que impidan la rotación del brazo(s) rociador.

4 Agregue Detergente - Para más información, consulte la sección de **Dispensadores**.

Llene el dispensador de detergente con detergente en polvo y cierre la puerta del dispensador.

¡IMPORTANTE!

No use detergente líquido.

No coloque tabletas ni coloque detergente líquido en el dispensador de detergente.

Si usará una tableta o una bolsa con gel, coloque la misma en la cesta de cubiertos o en el extremo del estante de la base.

5 Controle el Abrillantador de Enjuague - Para más información, consulte la sección de **Dispensadores**.

Si el tapón de la salida posee un color rojo brillante, vuelva a llenar el dispensador de abrillantador de enjuague con este último.

Asegúrese de volver a colocar correctamente el tapón del abrillantador de enjuague en su posición original, volviendo a girar el tapón en posición vertical.

6 Seleccione el Ciclo - Presione >> para pasar a través de los programas de lavado disponibles y seleccione el que desee. La luz del indicador encendida sobre el programa de lavado seleccionado indicará el programa de lavado seleccionado.

Pots Este ciclo se utiliza con platos, utensilios, ollas o sartenes muy sucios y con suciedad seca u horneada. Es seguro usar los platos que utiliza a diario con este ciclo. *Tiempo: 2 horas y 31 minutos.

Plus Este ciclo fue diseñado para cargas diarias completas de platos con niveles de suciedad de media a alta. *Tiempo: 2 horas y 15 minutos.

Normal Este ciclo se usa con platos con niveles de suciedad normal y brinda un uso óptimo de agua y corriente. La Guía de Uso de Corriente está basada en este ciclo. No hay Opciones de lavado disponibles para este ciclo. *Tiempo: 2 horas.


Express Para lavar cargas parciales con suciedad floja. Los tiempos y temperaturas de lavado estarán reducidos. *Tiempo: 46 minutos.

China Para lavar vajillas con poca suciedad o sensibles al calor. Las temperaturas de lavado son reducidas. *Tiempo: 1 hora y 30 minutos.

Rinse Para enjuagar cargas parciales que se lavarán después. Evita olores y evita que la suciedad se seque sobre los platos. No use detergente. No se dispensa detergente durante el ciclo de enjuague. *Tiempo: 16 minutos.

*Sólo tiempo de lavado. No incluye el tiempo de secado.

Puesta en Marcha

7 Seleccione Opciones - Presione  para pasar a través de las opciones disponibles y deténgase para seleccionar la que desee. La luz del indicador encendida sobre la opción seleccionada indicará esta última.

Ultra Dry Incrementa la temperatura del enjuague final y la duración de la fase de secado para un mayor rendimiento del secado.

Fast Usa agua y corriente adicional para un tiempo de lavado más rápido, mientras mantiene el rendimiento del lavado.

Sanitize Eleva la temperatura del agua durante la fase de enjuague a fin de desinfectar los platos. Ideal para lavar ítems tales como biberones y preservar jarras.

La opción de lavado con desinfección ajusta el programa de lavado, a fin de cumplir con las condiciones requeridas por NSF 184, Sección 6 para que se produzca la desinfección.

Mientras el proceso de desinfección está en funcionamiento, el programa de lavado es monitoreado para asegurar que estas condiciones se cumplan.


¡IMPORTANTE!

- Sólo los programas que utilizan la opción de lavado con desinfección están certificados para cumplir con las condiciones requeridas por NSF 184, Sección 6. Es posible que otros programas de lavado no alcancen las temperaturas requeridas para que se produzca la desinfección. Consulte la tabla de programas de lavado donde la opción de desinfección se encuentra disponible.
- Para que se produzca la desinfección, la temperatura del agua deberá alcanzar los 158°F. Asegúrese de que todos los ítems posean la marca de uso seguro en lavavajillas o su equivalente antes de activar la opción de desinfección.
- Si el lavado se interrumpe o el suministro de agua se corta durante el programa, entonces es posible que no se estén cumpliendo las condiciones de calentamiento para la desinfección. Es posible que sea necesario activar el programa nuevamente para asegurar la desinfección de sus platos.

Al final de un programa de lavado con desinfección, siempre asegúrese de que la desinfección se haya realizado con éxito.


Si la desinfección se realizó con éxito: El lavado finalizará de forma normal.

Si la desinfección no se realizó con éxito:

- Sonará una alerta.
- Cuando se abra el cajón para la desinfección, el indicador parpadeará.
- Controle que el suministro de agua se haya cortado o que el programa de lavado se haya interrumpido.
- Mantenga presionado  una vez para detener el pitido y una segunda vez para quitar el código de alerta parpadeante.
- Reinicie la desinfección y luego active el ciclo nuevamente.

NOTA: Sólo se podrá configurar una opción por vez. No todas las opciones están disponibles para todos los programas de lavado. Si una opción de lavado no se encuentra disponible para el programa de lavado elegido, entonces dicha opción no se podrá seleccionar. Para conocer las opciones disponibles para cada programa de lavado, consulte la siguiente tabla.

Programa de lavado	Opciones disponibles		
Pots	Ultra Dry	Fast	Sanitize
Plus	Ultra Dry	Fast	Sanitize
Normal	-	-	-
Express	Ultra Dry	-	-
China	Ultra Dry	Fast	-
Rinse	-	-	-

Opciones de Bloqueo - Presione  para pasar a través de las opciones disponibles y deténgase para seleccionar la que desee. La luz del indicador encendida sobre la opción seleccionada indicará esta última.



Bloqueo del Teclado Desactiva todos los botones – Es útil al limpiar el lavavajillas.

Para activar: Mantenga presionado  hasta que escuche un tono. El indicador de bloqueo  se iluminará.

Para cancelar: Mantenga presionado  hasta que escuche un tono. El indicador de bloqueo  se apagará.

Bloqueo para Niños Desactiva todos los botones y bloquea el cajón cerrado (evitando un uso no autorizado para niños).

Para activar: Mantenga presionado  hasta que escuche dos tonos. El indicador de bloqueo  se iluminará.

Para cancelar: Mantenga presionado  hasta que escuche un tono. El indicador de bloqueo  se apagará.

Puesta en Marcha

8 Opciones adicionales - Cómo configurar y cambiar los ajustes de las opciones adicionales

1 CONTROLE

Controle que no haya un lavado en curso, y luego abra el cajón.

2 INGRESE AL MENÚ

Para ingresar al menú: Mantenga presionado **>>** y **≡** al mismo tiempo durante cuatro segundos.

- Usted se encuentra ahora en la opción Rinse Aid (Abrillantador de Enjuague) del menú de opciones.
- Para cambiar la configuración de Abrillantador de Enjuague, vaya al paso 4 ahora.

3 IR HASTA LA OPCIÓN

Presione **≡** para ir hasta la siguiente opción. Los indicadores de opciones exhibirán qué opción fue seleccionada (consulte la siguiente tabla).

Cuando haya ido hasta el final de la secuencia, el menú comenzará nuevamente con Abrillantador de Enjuague.

4 CAMBIE LAS CONFIGURACIONES

Presione **>>** para cambiar la configuración dentro de una opción.

Los indicadores de programas de lavado exhibirán qué opción fue seleccionada (consulte la siguiente tabla).

5 GUARDE LA CONFIGURACIÓN Y QUITÉ EL MENÚ

Presione **▶** para guardar la nueva configuración y quite el menú de opciones de preferencia.

Podrá usar cualquiera de los cajones para cambiar las configuraciones. Cambiar las configuraciones de un cajón configurará sus preferencias para todo el lavavajillas.

OPCIÓN	AYUDA PARA EL ENJUAGUE	ENCENDIDO AUTOMÁTICO AL ABRIR EL CAJÓN (ADECUADO COMO OPCIÓN DEL MODO SABÁTICO)	TONOS AL FINALIZAR EL LAVADO	BLOQUEO AUTOMÁTICO CON EL CAJÓN CERRADO
¿En qué opción me encuentro?	<ul style="list-style-type: none"> ☼ Ultra Dry • Fast • Sanitize 	<ul style="list-style-type: none"> • Ultra Dry • Fast ☼ Sanitize 	<ul style="list-style-type: none"> ☼ Ultra Dry ☼ Fast • Sanitize 	<ul style="list-style-type: none"> ☼ Ultra Dry • Fast ☼ Sanitize
Configur. posibles	0 to 5 (max)	Encendida o Apagada	Encendida o Apagada	Encendida o Apagada
Ejemplos de configur.	<p>4 indicadores encendidos – 4 configuraciones</p> <p>☼ ☼ ☼ ☼ • •</p> <p>Pots Plus Normal Express China Rinse</p> <p>1 indicador encendido – 1 configuración</p> <p>☼ • • • • •</p> <p>Pots Plus Normal Express China Rinse</p>	<p>Encendida</p> <p>☼ • • • • •</p> <p>Pots Plus Normal Express China Rinse</p> <p>Apagada</p> <p>• • • • •</p> <p>Pots Plus Normal Express China Rinse</p>	<p>Encendida</p> <p>☼ • • • • •</p> <p>Pots Plus Normal Express China Rinse</p> <p>Apagada</p> <p>• • • • •</p> <p>Pots Plus Normal Express China Rinse</p>	<p>Encendida</p> <p>☼ • • • • •</p> <p>Pots Plus Normal Express China Rinse</p> <p>Apagada</p> <p>• • • • •</p> <p>Pots Plus Normal Express China Rinse</p>

9 Inicio del Lavavajillas

Start Presione **▶** en el panel de control y cierre el cajón dentro de los 4 segundos. Si el cajón no se cerró dentro de los 4 segundos, entonces presione **▶** nuevamente antes de cerrar el cajón.

Pause Dé dos golpes de manera firme sobre el frente del cajón. Espere los tres tonos cortos y uno largo antes de abrir el cajón. **NOTA: Forzar la apertura del cajón a mitad del ciclo podrá ocasionar daños o lesiones.**

Si el lavavajillas no se reinicia dentro de los siete minutos, sonará de manera intermitente hasta que se reinicie.

Cancel Mantenga presionado **▶**.

Delay Start Mantenga presionado **▶** y configure el tiempo de inicio con demora. Cada tono indica una demora de 1 hora (hasta durante 12 horas). El indicador de inicio con demora **⌚** se iluminará.

- Si al realizar la selección pasa la opción 12h (12 horas), el lavavajillas anulará el inicio con demora. A fin de reingresar el inicio con demora, siga las instrucciones anteriores.
- El lavado comenzará cuando el tiempo de demora finalice, siempre que el cajón se encuentre cerrado.

Si el cajón no se cierra dentro de los 4 segundos desde la configuración del inicio con demora, O si el cajón se abre luego de que el inicio con demora haya sido configurado (por ejemplo: para cargar más platos), el inicio con demora se suspenderá.

Para Reiniciar: Presione **▶** y cierre el cajón.

Para Cancelar el Inicio con Demora **×** : Mantenga presionado **▶**.

- Si hay alguna cantidad de agua en el cajón, ésta será drenada de forma automática antes del apagado del lavavajillas.

Dispensadores

Controle la Temperatura del Agua

El agua entrante deberá ser de por lo menos 120°F (49°C) y no más de 150°F (66°C) para una limpieza efectiva y para evitar daños sobre los platos. Controle la temperatura del agua con un termómetro para caramelos o para carne.

Abra el grifo de agua caliente más cercano al lavavajillas, coloque el termómetro en un vaso y deje que el agua corra de forma continua en el vaso hasta que la temperatura deje de subir.

Use un Agente de Enjuague

Los agentes de enjuague de alta calidad como **Cascade® Platinum™ Power Dry™ Rinse Aid** o **Finish® Jet-Dry® Rinse Aid** están diseñados para una gran acción de secado y para brindar protección contra manchas y acumulación de películas en sus platos, vasos, cubiertos, utensilios y plástico.

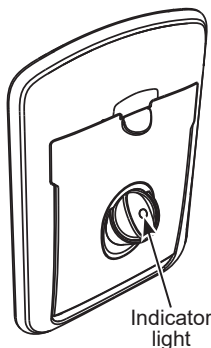
NOTA: Es posible que escuche ciertos pitidos atípicos y agudos cuando se dispense el abrillantador de enjuague. Esto es normal.

Cuándo Llenar el Dispensador del Agente de Enjuague

Si el indicador brilla o parpadea con una luz roja, vuelva a llenar el abrillantador de enjuague

Si el indicador brilla o parpadea de forma tenue o no lo hace en absoluto, no necesitará volver a realizar el llenado; hay suficiente abrillantador de enjuague para el lavado.

NOTA: Un enjuague con colores más claros no atenuará el indicador de forma tan efectiva como sucederá con colores más oscuros.



Llenado del Dispensador

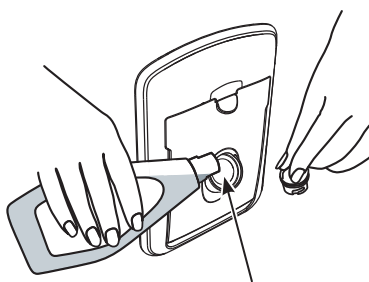
El dispensador del agente de enjuague tiene una capacidad de 1.7 oz. de agente de enjuague. Bajo condiciones normales, esto durará aproximadamente un mes.

El dispensador de abrillantador de enjuague se encuentra en el interior del cajón, debajo del dispensador de detergente.

1 Gire el tapón en sentido antihorario y retire el mismo.



Gire en sentido antihorario y empuje para su retiro



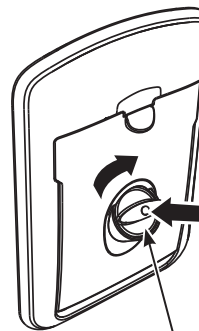
Vierta abrillantador de enjuague en la abertura circular y limpie cualquier derrame

2 Vierta abrillantador de enjuague en la abertura circular, teniendo cuidado de no producir ningún tipo de derrame en el cajón.

¡IMPORTANTE!

Cualquier derrame accidental del abrillantador de enjuague se deberá limpiar. De no limpiarse, el abrillantador de enjuague producirá un nivel excesivo de espuma, el cual resultará en una llamada al servicio técnico que no estará cubierta por la garantía.

3 Reemplace el tapón y luego vuelva a girar en sentido horario hasta su posición original.



Vuelva a colocar el tapón y gire en sentido horario para ajustar

¡IMPORTANTE!

Asegúrese de que el tapón quede bien ajustado en su cierre, con el espacio para apoyar los dedos en posición vertical.

Configuración de la Ayuda para el Enjuague

Es posible que necesite ajustar la cantidad de abrillantador de enjuague dispensado en cada lavado para que se ajuste a las condiciones del agua. La configuración más baja es 0 (apagado) y la más alta es 5.

De haber exceso de espuma al final del lavado, reduzca la configuración.

Si los platos están mojados o con suciedad luego del secado, incremente la configuración.

Si vive en un área donde el agua es dura y no cuenta con un ablandador de agua instalado en su suministro de agua o incorporado en su lavavajillas, le recomendamos ajustar la configuración del abrillantador de enjuague a 5.

Para ajustar la configuración

Lea **8 Opciones Adicionales** en la sección de **Puesta en Marcha**.

Dispensadores

Dispensador de Detergente

¡IMPORTANTE!

No use detergente líquido.

No coloque tabletas ni coloque detergente líquido en el dispensador de detergente.

Si usará una tableta o una bolsa con gel, coloque la misma en la cesta de cubiertos o en el extremo del estante de la base, como se describe más adelante en esta sección.

Powder Detergent Dispenser

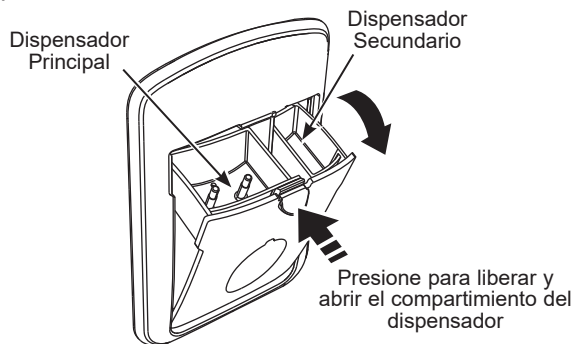
Dispensador de Detergente en Polvo

El dispensador de detergente se encuentra ubicado dentro del cajón, del lado frontal izquierdo.

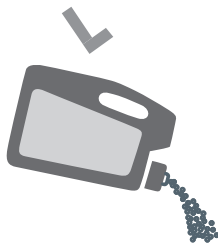
Use sólo el detergente en polvo diseñado para lavavajillas automáticos en el dispensador de detergente.

Llenado del Dispensador de Detergente en Polvo

- 1 Presione el pestillo hacia abajo para abrir el dispensador.



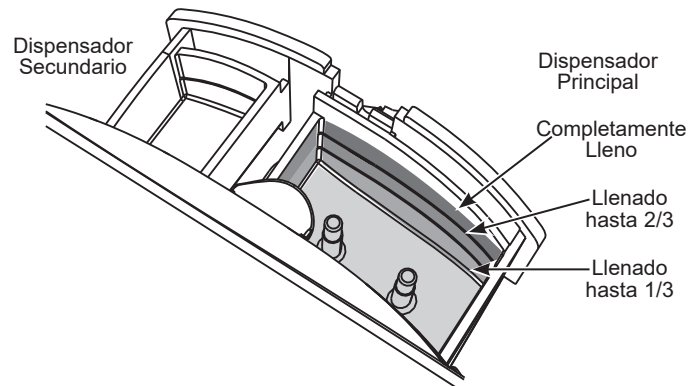
- 2 Controle que el dispensador se encuentre vacío y seco, y luego agregue detergente en polvo (no coloque tabletas sólidas o líquidas en el dispensador). No es necesario el uso de detergente para el programa Rinse (Enjuague).
- 3 Cierre el dispensador hasta que haga un sonido de clic. El detergente será liberado de forma automática en el cajón durante el programa de lavado.



NOTA: WAI lavar platos con mucha suciedad y con agua muy dura, usted también podrá llenar un segundo dispensador con detergente como ayuda en el rendimiento del lavavajillas.

Al usar el dispensador de detergente, la cantidad de detergente en polvo que use estará determinada por la dureza del agua, la temperatura del agua, y la carga de suciedad de comida que haya dentro del lavavajillas. Para acceder a información sobre la dureza del agua en su área, comuníquese con su compañía proveedora de agua. La dureza del agua se mide en granos por galón. Use esta información y la tabla a continuación más arriba para determinar la cantidad de detergente que se debe usar. Usted puede adquirir una tira de prueba de agua dura de Café. Llame al 1-877-959-8688 y solicite el número de pieza **WD01X10295**.

Cantidad de Granos/Gal.	Galon(es) a Llenar
Menos de 4	Llene la taza hasta 1/3
4 a 8	Llene la taza hasta 2/3
8 a 12	Llene la taza completamente
Superior a 12	Llene tanto el dispensador principal como el secundario



Use la tabla como punto inicial y luego ajuste la cantidad de detergente que usará. Use sólo la cantidad suficiente para un buen rendimiento del lavado. Usar sólo la cantidad correcta de detergente proveerá un gran rendimiento del lavado sin desperdiciar detergente ni enturbiar su cristalería.

El uso de demasiado detergente con agua muy suave y/o muy caliente podrá ocasionar una condición llamada grabado sobre su cristalería. El grabado es un enturbiamiento permanente sobre su cristalería. Esta condición es irreversible. Sin embargo, el uso de muy poco detergente ocasionará un rendimiento deficiente del lavado.

NO USE DETERGENTE PARA LAVADO MANUAL

NOTA: El uso de un detergente que no esté diseñado específicamente para lavavajillas hará que este último se llene de agua con jabón. Durante el funcionamiento, esta agua con jabón se esparcirá por las ventilaciones del lavavajillas, cubriendo el piso de la cocina y mojando el mismo.

Debido a que muchos envases de detergente son parecidos, guarde el detergente para lavavajillas en un espacio aparte de los demás limpiadores. Muestre a cualquier persona que pueda usar el lavavajillas el detergente correcto y dónde se guarda.

Mientras que no habrá daños duraderos sobre el lavavajillas, sus platos no se limpiarán si usa un detergente para platos cuya fórmula no haya sido diseñada para funcionar en lavavajillas automáticos.

Dispensadores

Dispensador de Detergente

¡IMPORTANTE!

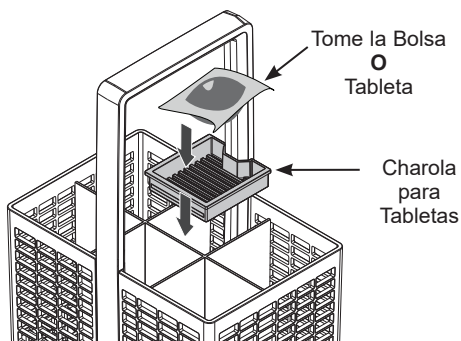
No use detergente líquido.

Charola para Tabletas – Para Bolsas de Gel o Tabletas

La charola para tabletas se encuentra ubicada en la cesta de cubiertos.

Use sólo bolsas de gel o tabletas diseñadas para lavavajillas automáticos.

Colocación de la Charola para Tabletas



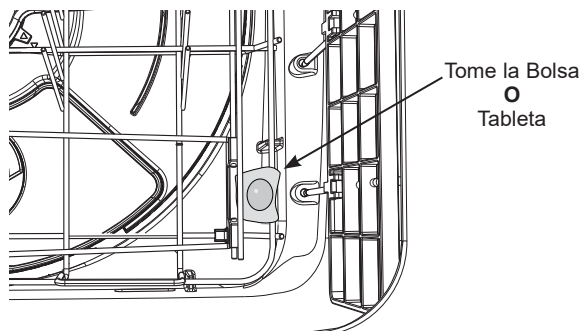
1 Realice la colocación en la charola para tabletas de la cesta de cubiertos.

2 Deslice la charola y asegure la misma en la cesta de cubiertos.

Colocación dentro de los Rieles del Estante Lateral – Para Bolsa de Gel o Tableta

Si la cesta de cubiertos no se usará en el lavavajillas para una carga particular, la bolsa de gel o tableta se podrá calzar dentro de los rieles del estante lateral.

Use sólo bolsas de gel o tabletas diseñadas para lavavajillas automáticos.



Colocación dentro de los Rieles del Estante Lateral

1 De forma segura, coloque la bolsa de gel o tableta dentro de los rieles del estante lateral.

2 **¡IMPORTANTE!**

No coloque la bolsa de gel o tableta sobre el piso del cajón, ya que podrá interferir con la rotación del brazo rociador y afectar el rendimiento del lavado.

Notas sobre el uso de tabletas

- Si usará tabletas, siga las instrucciones del fabricante que figuran en el paquete. Es posible que algunas tabletas no sean adecuadas para todos los programas de lavado.
- El uso de tabletas podrá mejorar el rendimiento del lavado en zonas de agua dura.
- Asegúrese de que las tabletas nunca tengan contacto directo con platos o cubiertos.
- Si usará tabletas de lavavajilla con un componente de abrillantador de enjuague incorporado, le recomendamos desactivar el abrillantador de enjuague.

NO USE DETERGENTE PARA LAVADO MANUAL

NOTA: El uso de un detergente que no esté diseñado específicamente para lavavajillas hará que este último se llene de agua con jabón. Durante el funcionamiento, esta agua con jabón se esparcirá por las ventilaciones del lavavajillas, cubriendo el piso de la cocina y mojando el mismo.

Debido a que muchos envases de detergente son parecidos, guarde el detergente para lavavajillas en un espacio aparte de los demás limpiadores. Muestre a cualquier persona que pueda usar el lavavajillas el detergente correcto y dónde se guarda.

Mientras que no habrá daños duraderos sobre el lavavajillas, sus platos no se limpiarán si usa un detergente para platos cuya fórmula no haya sido diseñada para funcionar en lavavajillas automáticos.

Carga del Lavavajillas

Para obtener mejores resultados con el lavavajillas, siga estas pautas de carga. Las funciones y apariencia de los estantes y canastas de cubiertos pueden variar con relación a su modelo.

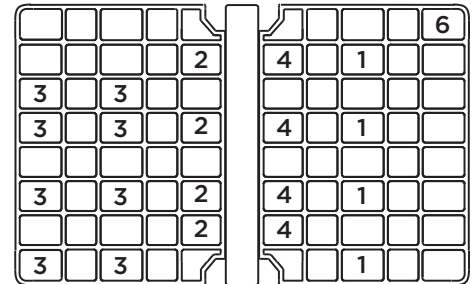
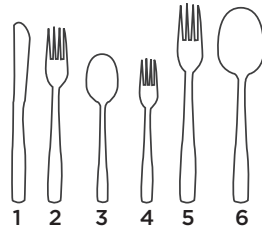
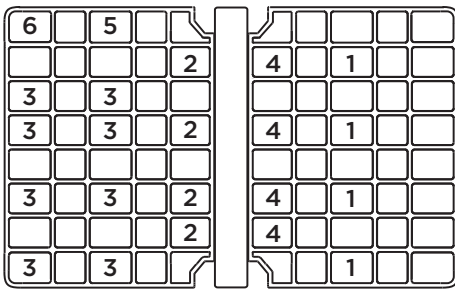
Carga Recomendada

Se realiza la prueba 10 CFR parte 430 de consumo de corriente y agua del lavavajillas, usando los parámetros que se detallan a continuación.

Cajón Superior y Cesta de Cubiertos

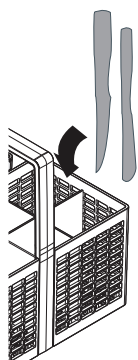


Cajón Inferior y Cesta de Cubiertos

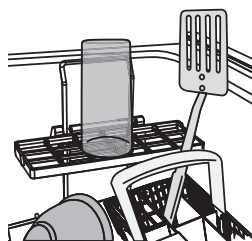


Carga del Lavavajillas

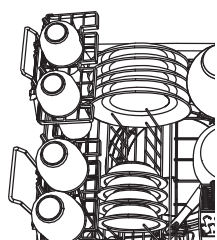
Qué Hacer y Qué No en la Carga



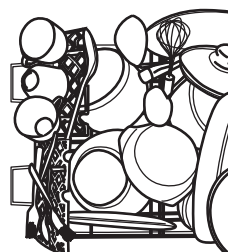
Los ítems filosos o puntiagudos se deberán colocar de forma horizontal o con los extremos filosos/ puntiagudos hacia abajo, a fin de evitar riesgos de lesiones.



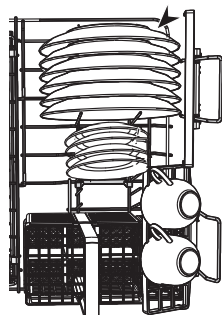
Los ítems que sobresalgan impedirán que la tapa interior del lavavajillas quede correctamente sellada, lo cual podrá resultar en una llamada al servicio técnico.



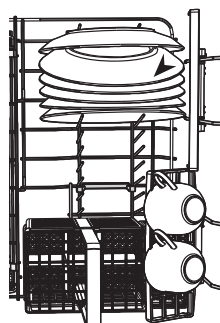
Una carga organizada de forma prolija con los platos espaciados de forma pareja ayuda en el rendimiento del lavado.



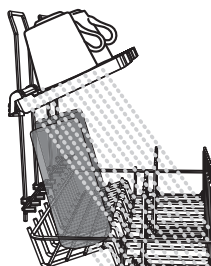
La sobrecarga reduce el rendimiento del lavado.



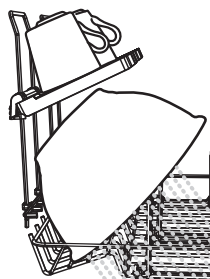
Asegúrese de que haya suficiente espacio entre los platos. Mezcle cucharas, cuchillos y tenedores dentro de la cesta de cubiertos para evitar que queden apilados.



Si los platos y los cubiertos se encuentran apilados, es menos probable que queden bien limpios.



Asegúrese de que el agua llegue hasta todos los ítems sobre los estantes.



La vajilla impide que el agua alcance algunos ítems de los estantes.

Carga del Lavavajillas

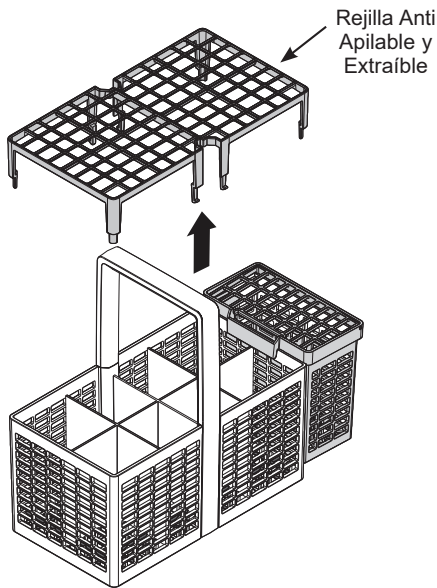
Cesta de Cubiertos

Coloque la vajilla plana en la cesta de cubiertos extraíble. Los objetos puntiagudos, tales como tenedores y cuchillos, podrán ser colocados con los mangos hacia arriba, a fin de proteger sus manos. Para el mejor rendimiento del lavado, coloque otros utensilios tales como cucharas con los mangos hacia abajo. Evite que los utensilios queden ubicados juntos, lo cual podrá impedir que se laven de forma adecuada. Al realizar la carga, distribuya los utensilios de forma pareja en la cesta.

La cesta de cubiertos podrá también ser usada para utensilios pequeños, tales como cucharas de medición, tetinas de biberones, tapas de plástico, o recipientes de maíz.

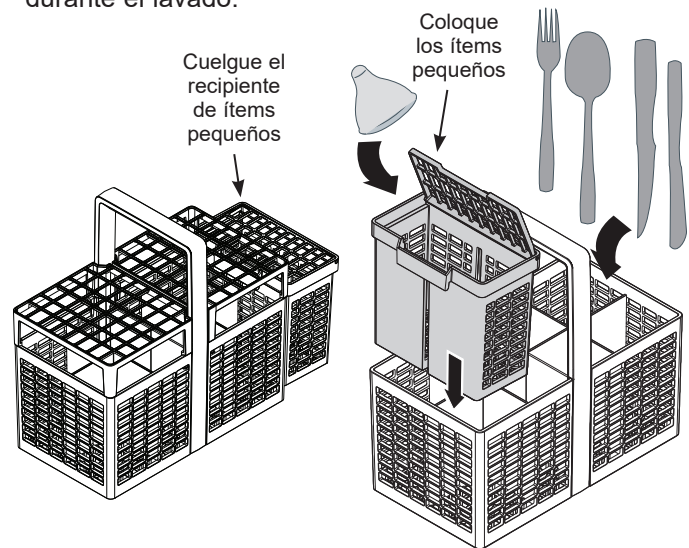
Rejilla Anti Apilable Extraíble

- La rejilla anti apilable se cuelga sobre la parte superior de la cesta de cubiertos.
- Use la rejilla para separar cubiertos y evitar que estos queden apilados.



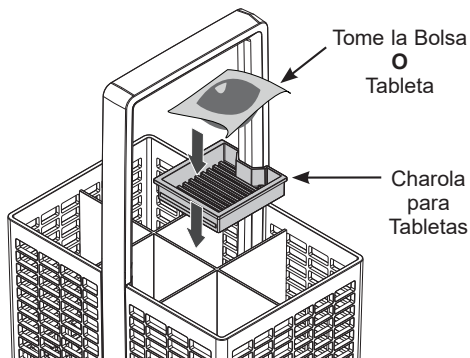
Recipiente de Ítems Pequeños Extraíble

- Usted podrá extender la cesta de cubiertos colgando el recipiente de ítems pequeños sobre su lateral.
- Los ítems pequeños y livianos tales como tetinas de biberones quedarán mejor ubicados en el recipiente de ítems pequeños, a fin de evitar su desplazamiento durante el lavado.



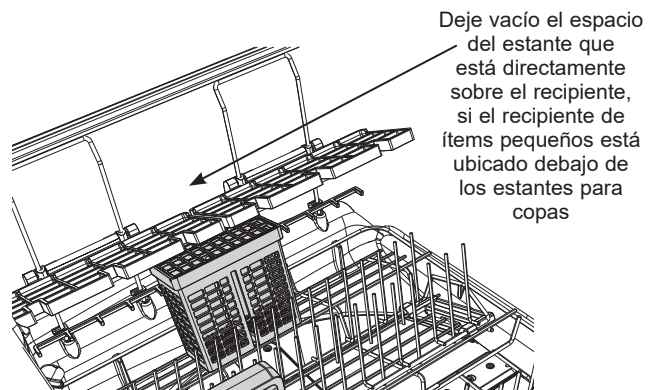
Charola para Tabletas Extraíble

- Si usará packs de gel o tabletas para lavavajillas, coloque los mismos sobre la charola para tabletas extraíble, como se muestra. Cuando no se encuentre en uso, asegúrese de que la charola para tabletas extraíble quede guardada de forma segura fuera del lavavajillas. Para un uso correcto de bolsas de gel y tabletas, consulte la sección de Dispensadores.



Colocación del Recipiente de Ítems Pequeños

- A fin de optimizar el espacio de la cubiertos dentro de la cesta, el recipiente de ítems pequeños se podrá ubicar en cualquier parte del cajón.
- Si apoyará el recipiente, asegúrese de que el lado de plástico sólido mire hacia arriba.
- Si coloca un recipiente completamente cargado debajo de los estantes para copas, es mejor dejar vacío el espacio del estante que está directamente sobre el recipiente – es posible que no haya suficiente agua que alcance los ítems que estén colocados encima.



Carga del Lavavajillas

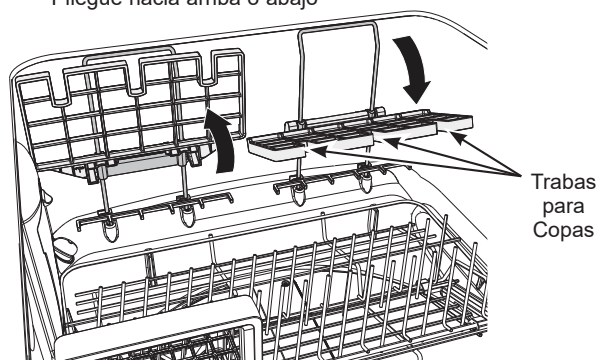
Estantes – Repisas para Copas

A fin de agregar flexibilidad en la carga, las repisas para copas se podrán ubicar en la posición superior o inferior. También se podrán ajustar hacia arriba o abajo.

Plegables

- Se podrán plegar hacia arriba o abajo independientemente una de la otra.
- Pliegue las mismas hacia abajo para usar las trabas de las copas, a fin de ayudar a sostener la cristalería con base larga o filas de tazas.
- Pliegue las mismas para obtener más espacio para ítems más altos tales como vasos.

Pliegue hacia arriba o abajo

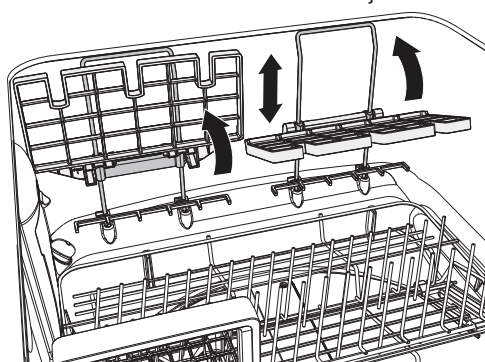


Altura Ajustable

- La altura de las repisas se podrá ajustar de forma independiente, a fin de ubicar copas y tazas de diferentes alturas.

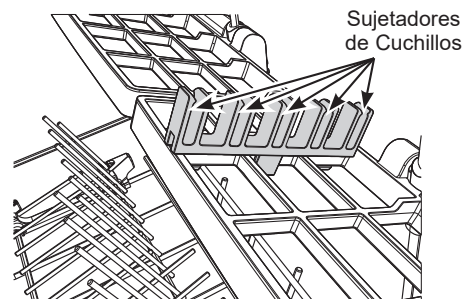
- 1 Realice el pliegue para desbloquear la repisa.
- 2 Ajuste sobre la altura deseada, deslizando hacia arriba o abajo.
- 3 Realice el pliegue hacia abajo para bloquear dicha posición.

Pliegue hacia arriba y abajo para realizar el ajuste



Repisas – Sujetadores de Cuchillos

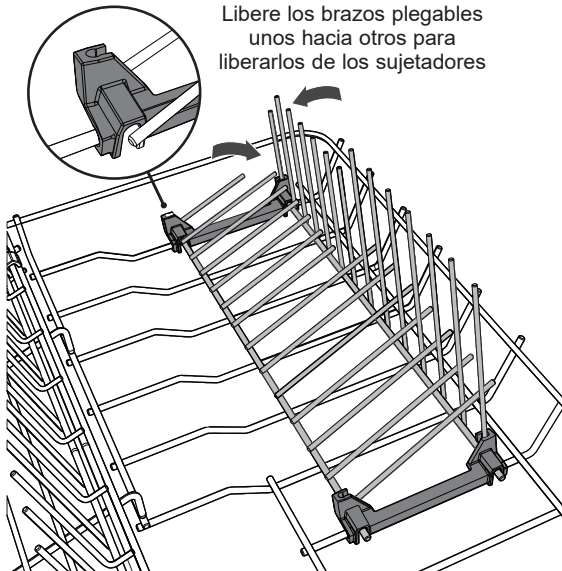
- Los sujetadores de cuchillos se apoyan sobre los estantes ajustables y sostienen cuchillos y otros utensilios durante el lavado.
- Siempre asegúrese de que los filos de los cuchillos miren hacia abajo.



Carga del Lavavajillas

Repisas – Brazos Plegables

- Para lograr una óptima estabilidad, coloque los platos más grandes entre los brazos más largos sobre el frente.
- Pliegue los brazos si necesita el espacio para sartenes y otros ítems más grandes.
- Libere los brazos plegables unos hacia otros para liberarlos de los sujetadores sobre la parte trasera de la unidad.

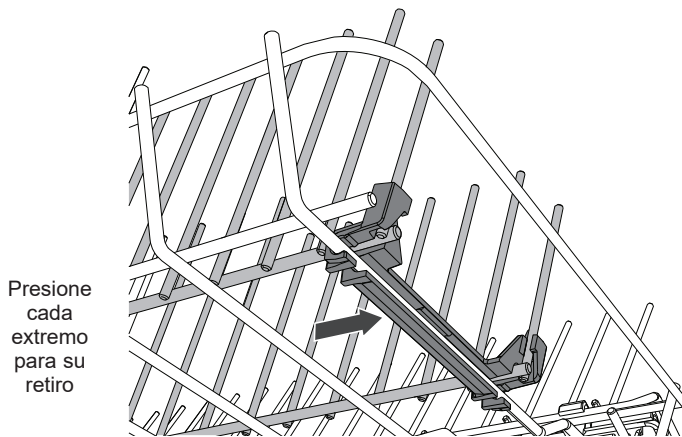


Retiro de los Brazos Plegables

Los brazos plegables se podrán retirar, si así se desea. Sin embargo, se recomienda plegar los brazos hacia abajo en lugar de retirarlos (si se necesita más espacio en el lavavajillas).

Para retirar:

Desajuste la repisa de brazos plegables en cada extremo, empujando de manera firme hacia usted.

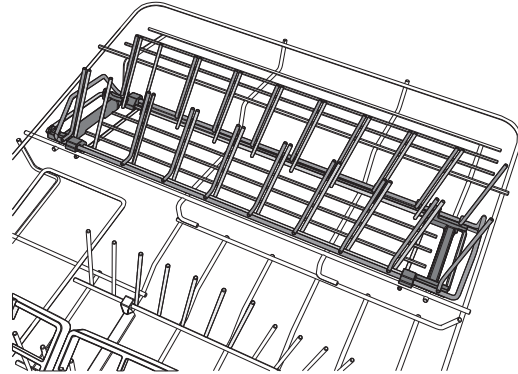


Para volver a colocar:

Alinee los sujetadores con el estante de la base y empuje de manera firme hasta que haga clic en su posición.

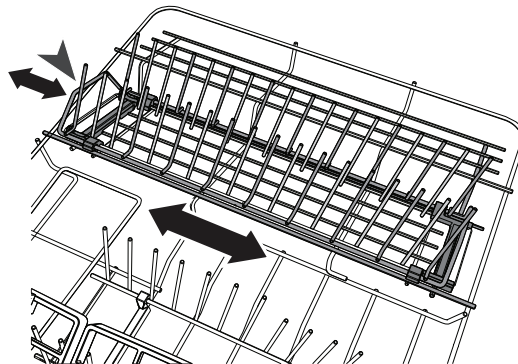
Estante con Brazo Extraíble y Ajustable al Espacio

- Diseñado para ubicar recipientes grandes (gran espaciado) o platos pequeños (espaciado pequeño), dependiendo del ajuste.



Ajuste el Espaciado de los Brazos

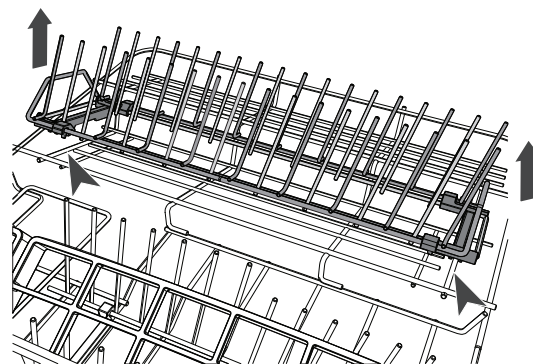
- Para realizar un ajuste entre espacios amplios y pequeños, deslice los brazos hacia atrás o adelante presionando hacia adelante o tras la manija que se encuentra en el frente.



Retire el Estante para Hacer Espacio para Ítems Más Grandes

Para retirar la repisa:

Tome las manijas en el frente y la parte trasera de la repisa y empuje para su descalce.



Para volver a colocar la repisa:

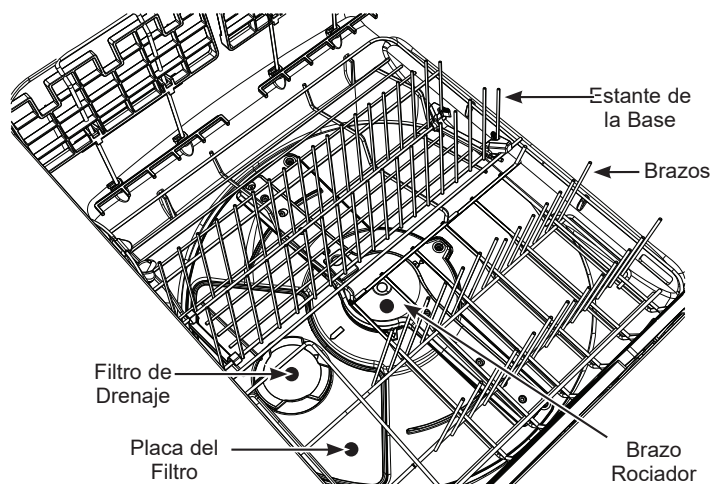
Alinee los sujetadores frontal y trasero con la base de la cesta y haga clic sobre su posición.

Cuidado y Limpieza

Filtro de Drenaje, Placa del Filtro y Brazo Rociador

Le recomendamos retirar y limpiar el filtro del drenaje y la placa del filtro de cada cajón, aproximadamente una vez por mes bajo uso normal o si se observan partículas de comida.

Bajo uso normal, el brazo rociador debería requerir una limpieza menos frecuente.



Limpieza del Filtro de Drenaje y de la Placa del Filtro

¡IMPORTANTE!

- Si se usa un limpiador/ decapador para lavavajillas, se deberá usar un programa de lavado con detergente inmediatamente de forma posterior, a fin de evitar cualquier daño sobre el lavavajillas.
- El lavavajillas se deberá usar con la placa del filtro, el filtro de drenaje y el brazo rociador en sus posiciones correspondientes.
- Le recomendamos que siempre use el lavavajillas con el estante con brazo plegable del lado derecho en su posición correspondiente.

Retire el estante de la base primero:

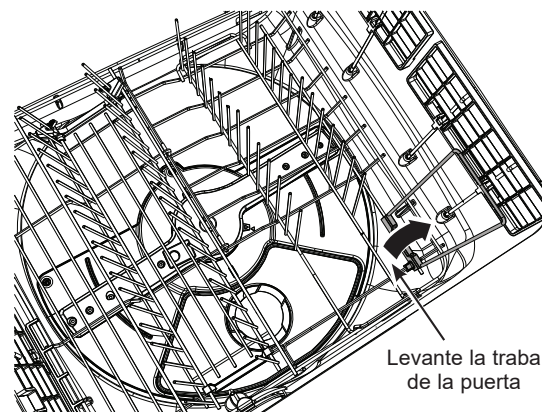
- 1 Desenchufe el lavavajillas o apague el mismo desde el suministro de corriente.

NOTE: Para un acceso más fácil al filtro de drenaje y a la placa del filtro, es posible que encuentre más fácil retirar todo el estante de la base (incluyendo los estantes con brazo) primero.

Para retirar todo el estante de la base: Levante el estante desde la parte trasera primero, para evitar que se golpee contra el dispensador de detergente y el abrillantador de enjuague, y levante hacia afuera.

- 2 Si el estante de la base se deja colocado, para acceder al filtro de drenaje:

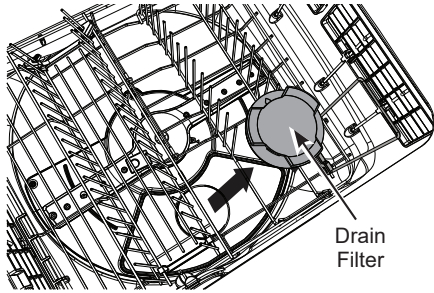
- Retire la cesta de cubiertos.
- Levante la traba de la puerta.



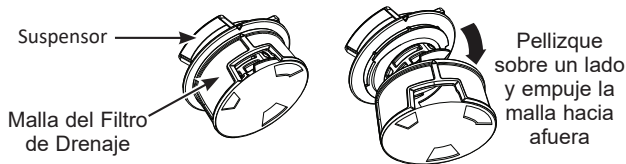
Cuidado y Limpieza

Retiro del Filtro de Drenaje y de la Placa del Filtro

- 3 Doble el filtro de drenaje circular en sentido antihorario y levante el mismo para su retiro. Es normal encontrar cierta cantidad de agua debajo del mismo.

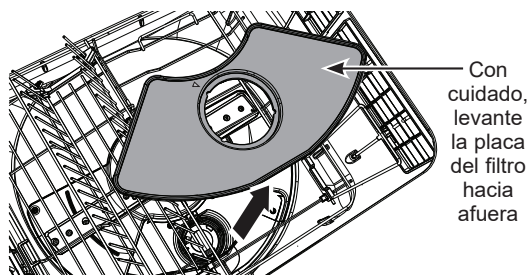


- 4 Retire la malla del filtro de drenaje pellizcando un lado únicamente y empujando hacia afuera, como se muestra.



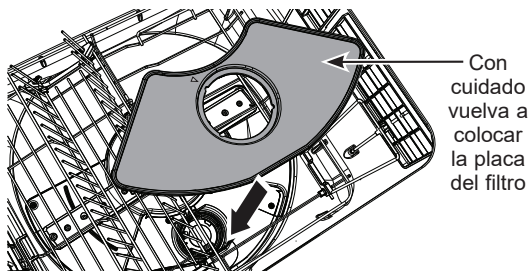
NOTA: No intente retirar la malla del filtro de drenaje pellizcando los dos lados opuestos al mismo tiempo, ya que esto podrá dañar la malla del filtro de drenaje.

- 5 Lave ambas partes del filtro de drenaje con agua caliente y jabón y enjuague completamente con agua corriente.
- 6 Con cuidado, levante la placa del filtro hacia afuera. Retire cualquier material extraño sobre cada lado, lave con agua caliente y jabón y enjuague completamente con agua limpia, y luego limpie la placa con una tela húmeda.



Colocación del Filtro de Drenaje y de la Placa del Filtro

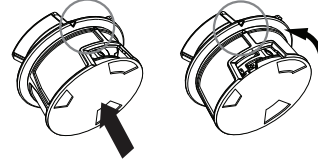
- 7 Con cuidado vuelva a colocar la placa del filtro. Asegúrese de presionar la misma completamente hasta su posición.



- 8 Vuelva a ajustar el filtro de drenaje circular:

- a) Vuelva a presionar la malla del filtro de drenaje sobre el suspensor. Deberá hacer clic sobre su posición.

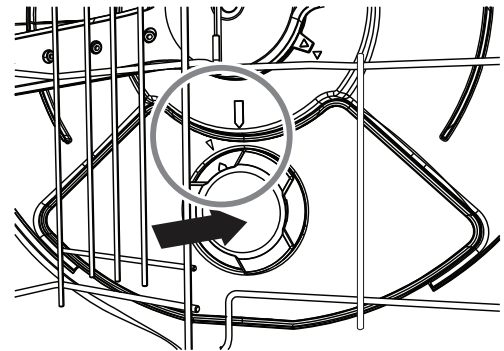
Luego de la limpieza, vuelva a colocar la malla a presión



Gire la malla en sentido antihorario hasta que las flechas se alineen hacia arriba, como se muestra.

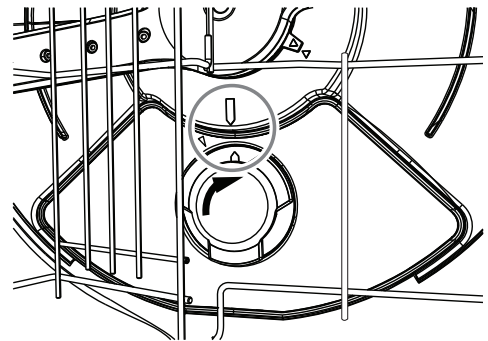
- b) Gire la malla del filtro de drenaje hasta que la flecha sobre el filtro de la malla se alinee hacia arriba con la flecha sobre el suspensor.
- c) Vuelva a ajustar el filtro de drenaje sobre el agujero de drenaje, alineando la flecha que aparece en la parte superior del filtro de drenaje con la flecha de la placa del filtro.

Alinee las flechas de la placa del filtro e inserte el filtro de drenaje



- d) Gire el filtro de drenaje en sentido horario hasta que la flecha del filtro de drenaje se alinee con la flecha sobre la base del cajón.

Gire el filtro de drenaje en sentido horario hasta que las flechas queden alineadas como se muestra



- 9 Vuelva a colocar el estante completo de la base (si se retiró).

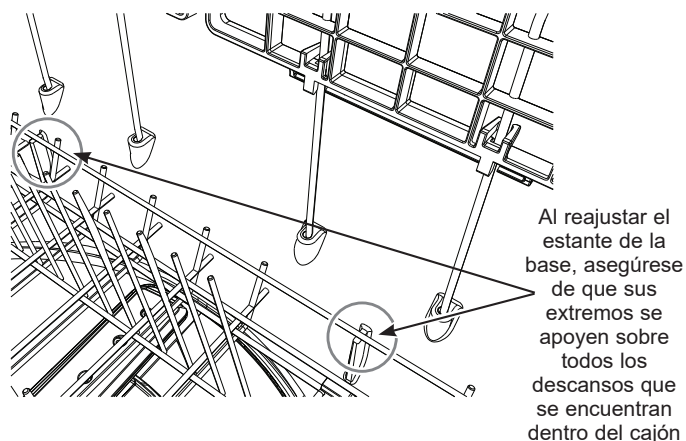
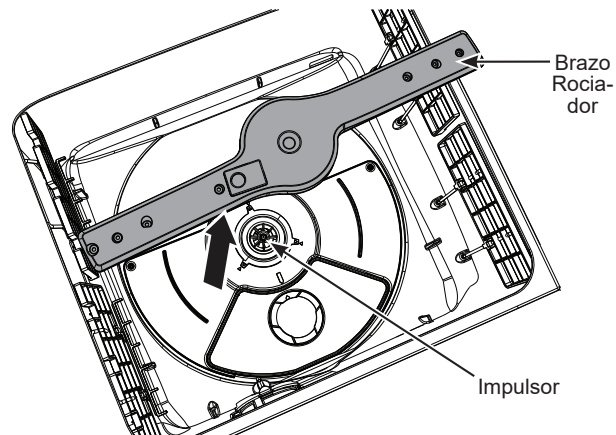
- 10 Pliegue la puerta con traba de modo que descansa sobre el estante de la base y vuelva a colocar la cesta de cubiertos.

Cuidado y Limpieza

Cleaning the Spray Arm

- 1 Desenchufe el lavavajillas o apague el mismo desde el suministro de corriente.
- 2 Descuelgue los soportes para vasos (si están ajustados) de los alambres de las repisas y pliegue todas las repisas plegables de uso seguro, de modo que queden verticales y cerca de la parte superior.
- 3 Retire la repisa de la base con cuidado. Levante la parte trasera primero, a fin de evitar golpear el dispensador de detergente y del abrillantador de enjuague.
- 4 Levante el brazo rociador y sacuda cualquier material extraño fuera de éste.
Enjuague el mismo con agua corriente y límpielo con una tela húmeda.
- 5 Vuelva a colocar el brazo rociador en el impulsor. Controle que el brazo rociador quede ajustado de manera firme y que gire libremente.
- 6 Vuelva a colocar el estante de la base, bajando el extremo frontal hasta su posición primero.
- 7 Vuelva a enchufar el lavavajillas o encienda el mismo desde el suministro de corriente.

NOTA: Si hay cerámica o vidrio rotos en el cajón, se deberá retirar con cuidado a fin de evitar daños sobre el lavavajillas.



Cuidado y Limpieza

Paneles Exteriores del Cajón

NO use limpiadores para Acero Inoxidable en las superficies de los cajones. Limpie con un paño suave, limpio y levemente húmedo, y luego seque completamente. El Acero Inoxidable cuenta con una cobertura que lo hace resistente a las huellas dactilares.

¡IMPORTANTE!

No recomendamos el uso de los siguientes limpiadores en su lavavajillas, ya que estos podrán dañar las superficies:

- Estropajos de plástico o acero inoxidable
- Limpiadores hogareños abrasivos, solventes
- Limpiadores ácidos o alcalinos
- Líquidos o jabón para el lavado de manos
- Limpiadores o pulidores de acero inoxidable
- Detergentes o desinfectantes de lavandería

Interior

Para limpiar y desodorizar su lavavajillas, utilice ácido cítrico, o **Cascade® Platinum™ Dishwasher Cleaner** o **Finish® Dishwasher Cleaner**, un detergente aditivo. Ellas destruirá los depósitos minerales, y eliminará la película y manchas de agua dura.

Puede ordenar el ácido cítrico **WD35X151** visitando cafeappliances.com/parts.

Puede comprar limpiadores de lavavajillas en su supermercado local.

Cajones de Acero Inoxidable

El acero inoxidable usado para fabricar los cajones brinda la mayor confiabilidad disponible en un lavavajillas Café.

Si los cajones sufrieran rayones o abolladuras durante el uso normal, estos no se oxidarán ni corroerán. Estas imperfecciones sobre la superficie no afectarán su funcionamiento o durabilidad.

Protección Contra Congelamientos

Si su lavavajillas se deja en un lugar sin calefacción durante el invierno, solicite a un técnico del servicio que:

- 1 Corte la corriente eléctrica al lavavajillas. Retire fusibles quemados o disyuntores desactivados.
- 2 Corte el suministro de agua y desconecte la línea de entrada de agua desde la válvula de agua.
- 3 Drene el agua desde la línea de entrada de agua y la válvula de agua. (Use una olla para atrapar el agua.)
- 4 Vuelva a conectar la línea de entrada de agua a la válvula de agua.

¿Posee su Lavavajillas un Espacio de Aire?

Un espacio de aire protege su lavavajillas contra la acumulación de agua en éste si un drenaje se atasca. El espacio de aire no es una parte del lavavajillas. No está cubierto por su garantía. No todos los códigos de plomería requieren espacios de aire; por lo tanto, es posible que usted no tenga uno.

Espacio de aire



Controle el espacio de aire en cualquier momento en que su lavavajillas no esté drenando de forma correcta.

El espacio de aire es fácil de limpiar.

- 1 Apague el lavavajillas y levante la tapa del espacio de aire.
- 2 Retire el tapón de plástico debajo de la tapa y limpie con un palillo.
- 3 Reemplace el tapón y la tapa cuando el espacio de aire esté limpio.

Antes de Solicitar el Servicio Técnico...Antes de solicitar el servicio técnico

Problema	Causas Posibles	Qué Hacer
Los platos y los cubiertos no están limpios	Los filtros están atascados	Limpie los filtros. Lea la sección de Cuidado y limpieza .
	Programa de lavado inadecuado para la carga	Para acceder a un programa de lavado adecuado, consulte la sección de Puesta en marcha . El horneado produjo un nivel de suciedad muy alto y es posible que los platos necesiten remojo.
	El brazo rociador no gira	Asegúrese de que no haya ítems que obstruyan el camino del brazo rociador. Asegúrese de que el brazo rociador se encuentre montado de forma correcta y libre para girar
	Cajón sobrecargado/ cargado de forma incorrecta	Consulte la sección Carga
	El plato de filtrado/ filtro de drenaje se insertó de forma incorrecta	Lea la sección de Cuidado y limpieza .
	Se colocó el detergente en el compartimiento equivocado del dispensador	El detergente se deberá colocar en el compartimiento grande. Consulte sobre el Dispensado de Detergente en la sección de Dispensado.
	Exceso de comida no retirado de la vajilla antes de la carga	Raspe todos los restos de comida de la vajilla antes de la carga.
	Los agujeros del brazo rociador están bloqueados	Limpie el brazo rociador. Lea la sección de Cuidado y limpieza .
	Temperatura baja del agua entrante	Asegúrese de que la temperatura del agua entrante sea la correcta (consulte la sección Uso del lavavajillas). Encienda el grifo de agua caliente más cercano al lavavajillas, deje correr hasta que la temperatura del agua deje de subir. Luego inicie el lavavajillas y apague el grifo. Esto asegura que el agua entrante está caliente. Seleccione Hi-Temp Wash (Aumento de la Temperatura de Lavado) si está disponible.
	La presión del agua está temporalmente baja	Abra el grifo. ¿Sale el agua de forma más lenta que lo normal? Si es así, espere hasta que la presión sea normal antes de usar el lavavajillas. La presión normal de agua hasta el lavavajillas debe ser de entre 20 y 120 psi.
	El espacio de aire o la salida de residuos están atascados	Limpie el espacio de aire o despeje la salida de residuos.
	El bucle de drenaje alto o el espacio de aire no fueron instalados	Consulte las Instrucciones de Instalación para instalar una línea de drenaje adecuada.
	Carga inadecuada del estante	Asegúrese de que los utensilios grandes no bloqueen el dispensador de detergente o los brazos de lavado. Lea la sección de Carga del lavavajillas .
	Detergente de bajo rendimiento	Utilice detergentes de alta calidad como Cascade® Platinum™ ActionPacs™ o Finish® Quantum® Automatic Dishwashing Detergent .
Cantidad de detergente insuficiente	Agregue detergente. Consulte sobre el Dispensado de Detergente en la sección de Dispensadores.	
Enturbiamiento de la cristalería	Combinación de agua suave y demasiado detergente	Esto se llama aguafuerte y es permanente. Para evitar que esto suceda, use menos detergente si cuenta con agua suave. Lave la cristalería en el ciclo más corto en que pueda quedar limpia.
	Detergente libre de fosfato con bajo rendimiento	Lea sobre Una película blanca sobre la cristalería, utensilios y su parte interna en esta sección de Solución de Problemas .
	La temperatura del agua que ingresa al lavavajillas supera los 150°F (66°C)	Esto podría ser aguafuerte. Baje la temperatura del agua caliente.
Una película blanca en la cristalería, utensilios y el interior	Es posible que este problema sea ocasionado por un libre de fosfato de baja calidad	A fin de eliminar la película blanca, lave los platos a través del ciclo del lavavajillas con ácido cítrico. Use el kit de ácido cítrico WD35X151 , el cual puede encontrar a través de Internet. De lo contrario, use agentes de enjuague de alta calidad como el limpiador para lavavajillas Cascade® Platinum™ Dishwasher Cleaner o Finish® Dishwasher Cleaner , el cual puede adquirir en una tienda de compras local. Vierta el ácido cítrico en la taza de detergente y cierre la tapa. Coloque la cristalería y utensilios con la película o de otro modo limpia en el lavavajillas. Deje los utensilios de plata y otros artículos metálicos fuera del lavavajillas. Encienda el lavavajillas y haga que funcione un ciclo completo sin detergente. La cristalería, los utensilios y el lavavajillas deberían finalizar sin la película sobre éstos.

Antes de Solicitar el Servicio Técnico...Antes de solicitar el servicio técnico

Problema	Causas Posibles	Qué Hacer
Manchas y películas en vasos y utensilios	Agua extremadamente dura	Use agentes de enjuague de alta calidad como Cascade® Platinum™ Power Dry™ Rinse Aid o Finish® Jet-Dry® Rinse Aid para evitar manchas y evitar una nueva acumulación de películas. Si sólo cuando el agua sea extremadamente dura, un ablandador puede ser necesario.
	Temperatura baja del agua entrante	Asegúrese de que la temperatura del agua sea de por lo menos 120°F (49°C).
	Sobrecarga o carga inadecuada del lavavajillas	Cargue el lavavajillas como se muestra en la sección Carga del lavavajillas .
	Detergente en polvo viejo o húmedo	Asegúrese de que el detergente esté fresco. Utilice detergentes de alta calidad como Cascade® Platinum™ ActionPacs™ o Finish® Quantum® Automatic Dishwashing Detergent .
	El dispensador del agente de enjuague está vacío	Rellene con agentes de enjuague de alta calidad como el abrillantador Cascade® Platinum™ Power Dry™ Rinse Aid o Finish® Jet-Dry® Rinse Aid .
	Configuración del abrillantador de enjuague demasiado baja o apagada	Incremente/ active la configuración del abrillantador de enjuague. Consulte sobre el Uso del Agente de Enjuague en la sección de Dispensadores .
	Demasiado poco o bajo rendimiento del detergente	Asegúrese de usar la cantidad correcta de detergente con alta calificación.
Marcas negras o grises en los platos	Utensilios de aluminio fueron frotados contra los platos	Retire las marcas con un limpiador suave y abrasivo.
Los platos no se secan	Es necesario tiempo de secado adicional	Deje la puerta cerrada cuando se encienda la luz de Clean (Limpio), para permitir que el ventilador funcione durante 90 minutos adicionales. Seleccione Dry (Secado con Calor/Seco) – opción Ultra para agregar tiempo de secado adicional. NOTA: Si abre la puerta, esta extensión del ventilador será cancelada.
	Temperatura baja del agua entrante	Asegúrese de que la temperatura del agua entrante sea de por lo menos 120°F. Seleccione Dry (Secado en Caliente). Use la opción Hi-Temp Wash (Aumento de la Temperatura de Lavado). Seleccione un ciclo más alto, tal como Presoak+Sani (Temperatura de Lavado para Desinfectar), o Pots (Ollas).
	El dispensador del agente de enjuague está vacío	Controle el dispensador del agente de enjuague y llene como se requiere.
Los platos no se secan	Programa de lavado normal usado	Elija el programa de lavado Plus (Más) o Pots (Sartenes).
	Sobrecarga o carga inadecuada del lavavajillas	Cargue el lavavajillas como se muestra en la sección de Carga .
	Es necesario tiempo de secado adicional	Deje la puerta cerrada cuando se encienda la luz de Clean (Limpio), para permitir que el ventilador funcione durante 90 minutos adicionales. Seleccione Dry (Secado con Calor/Seco) – opción Ultra para agregar tiempo de secado adicional. NOTA: Si abre la puerta, esta extensión del ventilador será cancelada.
	Temperatura baja del agua entrante	Asegúrese de que la temperatura del agua entrante sea de por lo menos 120°F. Seleccione Dry (Secado en Caliente). Use la opción Hi-Temp Wash (Aumento de la Temperatura de Lavado). Seleccione un ciclo más alto, tal como Presoak+Sani (Temperatura de Lavado para Desinfectar), o Pots (Ollas).
	El dispensador del agente de enjuague está vacío	Controle el dispensador del agente de enjuague y llene como se requiere.
	Configuración del abrillantador de enjuague demasiado baja o apagada	Incremente/ active la configuración del abrillantador de enjuague. Consulte sobre el Uso del Agente de Enjuague en la sección de Dispensadores .
	Se dejaron los platos en el cajón durante varias horas luego del lavado	Le recomendamos descargar los platos dentro de unas pocas horas una vez finalizado el programa de lavado, ya que la pequeña cantidad de vapor restante luego del lavado podrá, con el paso del tiempo, reasentarse como condensación. El uso de abrillantador de enjuague o el incremento de su configuración también ayudarán en el secado

Antes de Solicitar el Servicio Técnico...Antes de solicitar el servicio técnico

Problema	Causas Posibles	Qué Hacer
Pitido intermitente	El lavavajillas se encuentra en modo de pausa	Presione ► en el panel de control y luego cierre el cajón para reiniciar el programa.
La luz de desinfección parpadea cuando se abre el cajón al final del ciclo	Se abrió un cajón y el ciclo fue interrumpido durante el enjuague final	No interrumpa el ciclo abriendo un cajón durante el ciclo de lavado.
	La temperatura del agua entrante era demasiado baja	Eleve la temperatura del calentador de agua entre 120°F y 150°F.
Se dejó detergente en las tazas del dispensador	Los platos o utensilios están bloqueando la taza de detergente	Reposicione los platos, de modo que el agua del brazo rociador inferior pueda despejar el detergente de la taza. Lea la sección Carga del lavavajillas . Reposicione los utensilios o la vajilla pesada que pudiera estar impidiendo que la puerta de la taza del dispensador se abra. Lea la sección Carga del lavavajillas . No coloque recipientes ni ollas grandes directamente debajo del dispensador de detergente.
Detergente en polvo no dispensado	El dispensador de detergente estaba mojado cuando se cargó	Limpie el dispensador y asegúrese de que esté seco antes de agregar detergente en polvo.
Agua de lavado en los cajones	Cantidad incorrecta de detergente	See Detergent Dispensing in the Dispensers section.
	Detergente equivocado	Utilice únicamente detergentes para lavavajillas automáticos de alta calidad para evitar la formación de espuma. Se probó que los Cascade® Platinum™ ActionPacs™ o Finish® Quantum® Automatic Dishwashing Detergent fueron aprobados para su uso en todos los lavavajillas de Café. Para eliminar el agua con jabón en la tina, abra el lavavajillas y permita que el agua con jabón se disipe. Abra la puerta, mantenga presionado Start (Iniciar) por 3 segundos y cierre la puerta.
	Configuración demasiado alta del abrillantador de enjuague	Reduzca la configuración del abrillantador de enjuague. Consulte sobre el Uso del Agente de Enjuague en la sección de Dispensadores .
	El tapón del dispensador del abrillantador de enjuague no se ajustó lo suficiente en el cierre	Asegúrese de que el tapón del dispensador del abrillantador de enjuague esté completamente cerrado, con su empuñadura apuntando de forma vertical. Consulte sobre el Uso del Agente de Enjuague en la sección de Dispensadores .
	El agente de enjuague se derramó	Siempre limpie los derrames del agente de enjuague de forma inmediata.
Agua debajo del filtro de drenaje	Esto es normal	Ninguna acción es requerida.
Drawer interior is stained	Película blanca en la superficie interna — minerales de agua dura	Café recomienda agentes de enjuague de alta calidad como el abrillantador Cascade® Platinum™ Power Dry™ Rinse Aid o Finish® Jet-Dry® Rinse Aid para evitar la formación de depósitos minerales de agua dura. Haga funcionar el lavavajillas con ácido cítrico para eliminar los depósitos minerales. El ácido cítrico (número de pieza: WD35X151) se puede ordenar a través de GE Appliances Parts (Piezas de GE Appliances). Para acceder a información sobre cómo ordenar, lea la contratapa. De forma alternativa, adquiera Cascade® Platinum™ Dishwasher Cleaner o Finish® Dishwasher Cleaner y siga las instrucciones en la etiqueta.
Sienta el aire en sus piernas al pararse frente al lavavajillas durante el ciclo	Algunas comidas, tales como productos a base de tomate, podrán manchar el interior del cajón	Enjuague los platos de forma previa antes de colocar los mismos en el cajón. De forma alternativa, el uso del programa Rinse (Enjuague) luego de agregar los platos podrá minimizar el nivel de manchas.
Agua pesada	Si vive en una zona con agua muy pesada	Incremente la configuración del abrillantador de enjuague y la cantidad de detergente. Consulte la sección de Dispensadores . Si vive en una zona con agua muy pesada, consulte a un plomero sobre la instalación de un ablandador de agua hogareño.

Antes de Solicitar el Servicio Técnico...Antes de solicitar el servicio técnico

Problema	Causas Posibles	Qué Hacer
Queda agua en el lavavajillas	El espacio de aire está atascado	Limpie el espacio de aire. Lea la sección de Cuidado y limpieza .
	El bucle de drenaje alto o el espacio de aire no fueron instalados	Consulte las Instrucciones de Instalación para instalar una línea de drenaje adecuada.
	Manguera(s) de drenaje con torcedura o pellizco	Alargue la manguera(s) de drenaje.
	Filtros bloqueados	Limpie la placa del filtro/ drenaje del filtro. Lea la sección de Cuidado y limpieza .
El agua no es bombeada fuera de la tina	El drenaje está atascado	Si hay un espacio de aire, limpie el mismo. Lea la sección de Cuidado y limpieza . Si el lavavajillas drena hacia la salida de residuos, despeje esta última. Controle que el lavabo de su cocina esté realizando un drenaje correcto. De no ser así, es posible que deba llamar a un plomero.
El lavavajillas no funciona	El botón de inicio (▶) no fue presionado	Presione el botón Start (Iniciar) (▶).
	El cajón no se cerró de forma correcta	Asegúrese de que el cajón esté libre de cualquier objeto y que esté cerrado de manera firme.
	El cajón del lavavajillas se encuentra en el “modo de sala de exposición”	Para más información, comuníquese con Café
	Se quemó el fusible o el disyuntor está desactivado	Reemplace el fusible o reinicie el disyuntor. Retire cualquier otro electrodoméstico del circuito.
	La corriente no se encuentra conectada o está apagada	Conecte la corriente, reemplace el fusible o reinicie el disyuntor. Retire cualquier otro electrodoméstico del circuito.
	Keylock (Bloqueo del Teclado) o Childlock (Bloqueo para Niños) activado	Desbloquee los controles. Consulte las Opciones de Bloqueo en la sección de Puesta en Marcha .
	Se detectó una posible pérdida	Algunos modelos están equipados con un detector de pérdidas y el ciclo será cancelado en caso de que se detecte una. Consulte sobre Protección contra Pérdidas en la sección de Puesta en Marcha . Para acceder al servicio técnico, comuníquese con Café.
El panel de control respondió a las instrucciones pero el lavavajillas nunca se llenó de agua	Es posible que el cajón no esté completamente cerrado	Asegúrese de que el cajón esté firmemente cerrado.
	Es posible que el cajón no esté agua esté cerrado	Asegúrese de que la válvula de agua (normalmente ubicada debajo del lavabo) esté abierta.
El cajón no se abrirá (no hay pitidos ni un lavado en progreso)	Función Childlock (Bloqueo para Niños) activada	Apague Childlock (Bloqueo para Niños). Consulte las Opciones de Bloqueo en la sección de Puesta en Marcha
	El bloqueo automático con el cajón cerrado está activado	Golpee una vez sobre el frente del cajón y abra el mismo dentro de los 30 segundos.
Falla de energía durante el programa de lavado	Corte de corriente en su hogar o zona	Espere hasta que retorne la corriente; el programa se reiniciará desde el mismo punto del programa de lavado.
El lavavajillas no hace un reconocimiento cuando golpeo el frente del cajón para pausar o desbloquear el mismo	No golpea con suficiente fuerza	Asegúrese de golpear de manera firme sobre el frente del cajón, en lugar de usar un toque suave.
	El sensor de golpes del frente del cajón se instaló o calibró de forma incorrecta	Contacto con Café para el servicio.
El lavavajillas registra toques y sacudidas como golpes y genera pausas de forma inadvertida	El sensor de golpes del frente del cajón se instaló o calibró de forma incorrecta	Contacto con Café para el servicio.

Antes de Solicitar el Servicio Técnico...Antes de solicitar el servicio técnico

Problema	Causas Posibles	Qué Hacer
Ruido	<p>Sonidos de funcionamiento normal:</p> <p>Apertura de la taza de detergente</p> <p>Entra agua al lavavajillas</p> <p>El motor se detiene y activa en diferentes momentos durante el ciclo</p> <p>Los brazos rociadores se activan y detienen en diferentes momentos</p> <p>Sonidos de bombeo del drenaje durante el vaciado</p> <p>El bombeo del drenaje se activa y detiene varias veces durante cada drenaje</p>	<p>Todos estos son normales. Ninguna acción es requerida.</p>
	<p>Sonido ruidoso de los platos cuando el brazo rociador gira</p>	<p>Asegúrese de que los platos hayan sido cargados de forma adecuada. Lea la sección Carga.</p>
El ventilador comienza a generar ruido cuando cierro el cajón, incluso aunque no haya iniciado un nuevo lavado	<p>Esto es normal. En algunos casos, el ventilador de secado funcionará siempre que el cajón se cierre durante un período de tiempo programado luego de que haya finalizado un programa.</p>	<p>Ninguna acción es requerida. El ventilador se detendrá de forma automática una vez finalizado el tiempo programado.</p>
Se escucha el ruido del ventilador desde el lavavajillas una vez finalizado un programa de lavado	<p>Esto es normal. El ventilador de secado continua funcionando durante un período de tiempo una vez que un programa haya finalizado, para asistir sobre el secado.</p>	<p>Ninguna acción es requerida. El ventilador se detendrá de forma automática una vez finalizado el tiempo configurado, o cuando se abra el cajón. En algunos casos, el ventilador se podrá reiniciar cuando el cajón se cierre nuevamente.</p>
Ruido excesivo del motor	<p>No hay agua en el área del motor</p>	<p>This usually occurs on the first use or when the dishwasher has not been used for long periods of time. Pour 3 cups of water into the drawer before running a wash program.</p>
Water pooling on inner rim of drawer after a wash	<p>This is normal condensation.</p>	<p>Wipe dry.</p>
Water leaking	<p>La manguera de drenaje se desconectó de la tubería de desechos</p>	<p>Vuelva a conectar la manguera de drenaje a la tubería de desechos.</p>
	<p>La manguera de entrada de agua no está correctamente conectada</p>	<p>Asegúrese de que la manguera de entrada esté conectada de forma segura.</p>
	<p>Otras pérdidas</p>	<p>Cierre el agua y otros suministros de corriente al lavavajillas. Contacto con Café para el servicio.</p>
	<p>El tapón del dispensador del abrillantador de enjuague no se cerro de forma correcta</p>	<p>Asegúrese de que el tapón del dispensador del abrillantador de enjuague esté completamente cerrado, con su empuñadura apuntando de forma vertical. Consulte sobre el Uso del Agente de Enjuague en la sección de Dispensadores.</p>

Garantía Limitada del Lavavajillas de Café

cafeappliances.com

Todo el servicio de garantía es provisto por nuestros Centros de Servicio de Fabricación, o un técnico de servicio autorizado. Para programar una visita del servicio técnico a través de Internet, visítenos en **cafeappliances.com/service**.

Para realizar el servicio técnico de su electrodoméstico, se podrá requerir el uso de datos del puerto de abordaje para su diagnóstico. Esto da al técnico del servicio de fábrica de Café la habilidad de diagnosticar de forma rápida cualquier problema con su electrodoméstico, y de ayudar a Café a mejorar sus productos al brindarle a Café la información sobre su electrodoméstico. Si no desea que los datos de su electrodoméstico sean enviados a Café, solicitamos que le indique a su técnico no entregar los datos a Café en el momento del servicio.

Por el Período de:	Reemplazaremos:
Un Año Desde la fecha de compra original	Cualquier parte del lavavajillas que falle debido a un defecto en los materiales o la fabricación. Durante esta garantía limitada de un año , Café también proveerá, sin costo , todo el trabajo y el servicio en el shogar relacionado con el reemplazo de la pieza que presente defectos.

Lo que no está cubierto:

- Viajes del personal de servicio a su casa para enseñarle cómo usar su producto.
- Instalación, entrega o mantenimiento inapropiada.
- Fallas del producto si es maltratado, mal usado, o usado para un propósito diferente del que se creó o si es usado para usos comerciales.
- Cambio de los fusibles de su casa o reajuste del circuito de interruptores.
- Productos sin defectos o rotos, o los cuales se encuentran funcionando como se indica en el Manual del propietario.
- Daños al producto causados por accidentes, incendios, inundaciones o actos de la naturaleza.
- Daños imprevistos resultantes causados por posibles defectos con este electrodoméstico.
- Defectos o daños debido a la puesta en funcionamiento a temperaturas de congelación.
- Daño causado después de la entrega, incluido el daño causado por los objetos que cayeron en la puerta.
- Producto no accesible para facilitar el servicio requerido.
- Limpieza o servicio técnico del dispositivo de espacio de aire en la línea de drenaje.

EXCLUSIÓN DE GARANTÍAS IMPLÍCITAS

Su única y exclusiva alternativa es la reparación del producto, como se indica en la Garantía Limitada. Las garantías implícitas, incluyendo garantías implícitas de comerciabilidad o conveniencia sobre un propósito particular, se limitan a un año o al período más corto permitido por la ley.

Esta garantía limitada se extiende al comprador original y a cualquier dueño subsiguiente de productos comprados para uso hogareño dentro de EE.UU. Si el producto está en un área donde no se encuentra disponible un Proveedor Autorizado del Servicio Técnico de Café, usted será responsable por el costo de un viaje o se podrá requerir que traiga el producto a una ubicación del Servicio Técnico de Café Autorizado para recibir el servicio. Para acceder al servicio técnico correspondiente a la garantía limitada, se deberá contar con la prueba de la fecha original de compra. En Alaska, la garantía limitada excluye el costo de envío o llamadas del servicio a su hogar.

Algunos estados no permiten la exclusión o limitación de daños fortuitos o consecuentes. Esta garantía limitada le da derechos legales específicos y es posible que tenga otros derechos legales que varían entre un estado y otro. Para conocer cuáles son sus derechos legales, consulte a la oficina de asuntos del consumidor local o estatal o al Fiscal de su estado.

Garante: GE Appliances, a Haier Company
Louisville, KY 40225

Garantías Extendidas: Adquiera una garantía extendida de y conozca los descuentos especiales que están disponibles mientras su garantía aún está vigente. Puede acceder a la misma a través de Internet en cualquier momento en

cafeappliances.com/extended-warranty

Los Servicios para los Café aún estarán disponibles cuando su garantía caduque.

GARANTÍA LIMITADA

Abroche su recibo aquí. Para acceder al servicio técnico de acuerdo con la garantía deberá contar con la prueba de la fecha original de compra.

Soporte para el Consumidor

Sitio Web de Café

¿Desea realizar una consulta o necesita ayuda con su electrodoméstico? ¡Intente a través del Sitio Web de Café las 24 horas del día, cualquier día del año! Usted también puede comprar más electrodomésticos maravillosos de Café y aprovechar todos nuestros servicios de soporte a través de Internet, diseñados para su conveniencia.

cafeappliances.com.

Registre su Electrodoméstico

¡Registre su electrodoméstico nuevo a través de Internet, según su conveniencia! Un registro puntual de su producto permitirá una mejor comunicación y un servicio más puntual de acuerdo con los términos de su garantía, en caso de surgir la necesidad. También puede enviar una carta en la tarjeta de inscripción preimpresa que se incluye con el material embalado.

cafeappliances.com/register.

Servicio Programado

El servicio de reparación de expertos de Café está a sólo un paso de su puerta. Conéctese a través de Internet y programe su servicio a su conveniencia cualquier día del año. cafeappliances.com/service.

Garantías Extendidas

Adquiera una garantía extendida de Café y conozca los descuentos especiales que están disponibles mientras su garantía aún está vigente. La puede adquirir en cualquier momento a través de Internet. Los servicios de Café aún estarán allí cuando su garantía caduque. cafeappliances.com/extended-warranty.

Piezas y Accesorios

Aquellos individuos calificados para realizar el servicio técnico de sus propios electrodomésticos podrán solicitar el envío de piezas o accesorios directamente a sus hogares (se aceptan las tarjetas VISA, MasterCard y Discover). Ordene hoy a través de Internet durante las 24 horas, todos los días. cafeappliances.com/parts.

Las instrucciones que figuran en este manual cubren los procedimientos que serán realizados por cualquier usuario. Otros servicios técnicos generalmente deben ser derivados a personal calificado del servicio. Se deberá tener cuidado, ya que una reparación indebida podrá hacer que el funcionamiento no sea seguro.

Contáctenos

Si no se encuentra satisfecho con el servicio que recibió de Café, comuníquese con nosotros a través de nuestro sitio web con todos los detalles, incluyendo su número telefónico, o escriba a:

En EE.UU.: General Manager, Customer Relations, Café | Appliance Park | Louisville, KY 40225
cafeappliances.com/contact