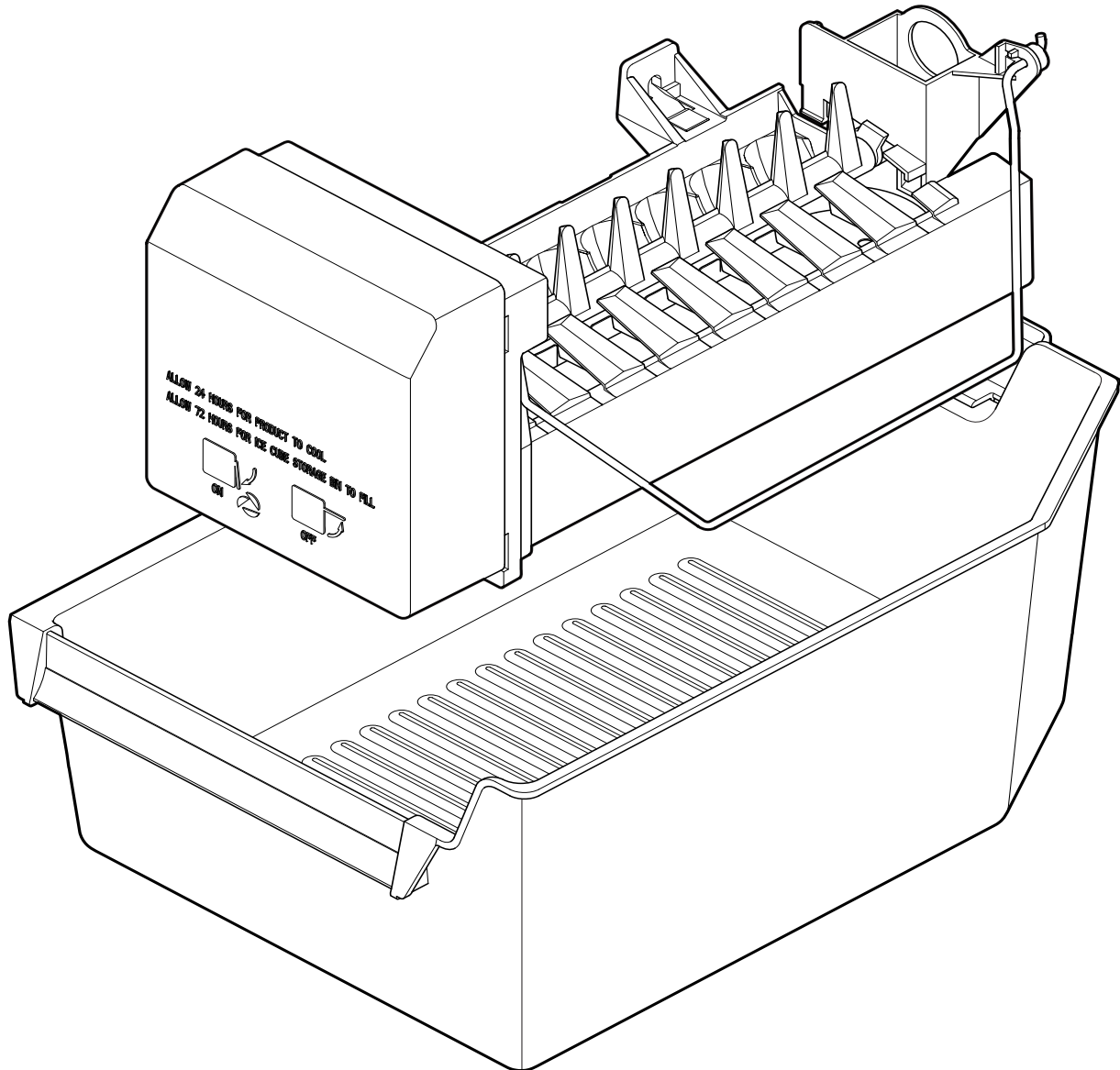


Installation

G U I D E



MODULAR ICE MAKER KIT
MACHINE À GLAÇONS MODULAIRE
JUEGO DE LA FABRICA DE HIELO MODULAR

Table of Contents

	Page		Page
Requesting Assistance or Service.....	2	Mounting the ice maker	5
Important Information	3	Connecting the Water Supply	6
Before you Begin.....	4	Final Installation	8
Tools	4	Forming the copper tubing.....	8
Installation notes.....	4	Connecting the power/ leveling the unit.....	8
Components	4	Starting the Ice Maker	9
Component illustrations	4	Troubleshooting	10
Installing the Ice Maker.....	5	Operational notes	10
Making preparations	5	Troubleshooting chart.....	10

Table des matières

	Page		Page
Demande d'assistance ou de dépannage.....	2	Raccordement à la conduite d'eau.....	14
Informations importantes :	11	Installation finale	16
Avant de commencer	12	Lover le tube de cuivre	16
Outils	12	Rétablissement de l'alimentation électrique/ réglage de l'aplomb de l'appareil.....	16
Composants	12	Mise en marche de la machine à glaçons.....	17
Remarques concernant l'installation.....	12	Dépannage	18
Illustrations des composants	12	Notes sur le fonctionnement de l'appareil	18
Installation de la machine à glaçons	13	Tableau de diagnostic/dépannage.....	18
Opérations préparatoires.....	13		
Montage de la machine à glaçons.....	13		

Tabla de contenidos

	Página		Página
Para solicitar ayuda o servicio técnico	2	Conexión del suministro de agua	22
Información importante	19	Instalación final	24
Antes de comenzar	20	Para formar la tubería de cobre.....	24
Herramientas	20	Conexión del suministro eléctrico/nivelación de la unidad.....	24
Componentes	20	Puesta en marcha de la fábrica de hielo.....	25
Notas sobre la instalación	20	Solución de problemas	26
Ilustraciones de los componentes	20	Notas sobre el funcionamiento	26
Instalación de la fábrica de hielo	21	Cuadro de solución de problemas.....	26
Pasos de preparación.....	21		
Montaje de la fábrica de hielo.....	21		

Requesting Assistance or Service

If you need assistance contact your dealer, or call the Whirlpool Customer eXperience Center toll-free, **1-800-253-1301**, 24 hours a day.

Demande d'assistance ou de dépannage

Pour tout besoin d'assistance, contacter le revendeur ou téléphoner sans frais au Centre d'eXperience à la clientèle de Whirlpool au **1-800-253-1301** (accessible 24 heures sur 24).

Para solicitar ayuda o servicio técnico

Si necesita ayuda, comuníquese con el distribuidor o llame sin cargo al Centro para la eXperiencia del cliente de Whirlpool, al **1-800-253-1301**, las 24 horas del día.

Important Information

The following information is used throughout this installation Guide. Read it thoroughly so you are familiar with it.

Your safety and the safety of others are very important.

We have provided many important safety messages in this manual and on your appliance. Always read and obey all safety messages.



This is the safety alert symbol.

This symbol alerts you to potential hazards that can kill or hurt you and others.

All safety messages will follow the safety alert symbol and either the word "DANGER" or "WARNING."

These words mean:

⚠ DANGER

You can be killed or seriously injured if you don't immediately follow instructions.

⚠ WARNING

You can be killed or seriously injured if you don't follow instructions.

All safety messages will tell you what the potential hazard is, tell you how to reduce the chance of injury, and tell you what can happen if the instructions are not followed.

- This Installation Guide gives you complete instructions on how to install the Ice Maker Kit in your refrigerator-freezer and connect a water line to it. Please read the guide and follow the instructions exactly as described. Also, make sure that you observe all of the "safety" instructions.
- **IMPORTANT:** A qualified service technician must install the water line and ice maker.
- Before you start to install your Ice Maker Kit, you will have to purchase a copper tubing kit that contains a "Regular Valve and Clamp Assembly" (for refrigerators with an automatic ice maker, or self-filling trays). The kit contains all of the hardware necessary to connect your ice maker to the water supply. You can purchase one at most hardware or plumbing supply stores.

NOTE: Do not use piercing-type, or 3/16" shut-off valves. They reduce the flow of water to the ice maker, and are easily clogged. Do not use polyethylene tubing to connect the ice maker to the water line. Use only 1/4" (O.D.) copper tubing.

**CUSTOMER INSTALLATION IS NOT
WARRANTED BY THE REFRIGERATOR
OR ICE MAKER MANUFACTURER.**

Before You Begin

Tools

Gather required tools and parts before starting installation. Read and follow the instructions provided with any tools listed here.

1. Regular screwdriver
2. Phillips screwdriver
3. 7/16" and 1/2" open-end wrenches (or an adjustable wrench)
4. Pliers
5. 1/4" nut driver
6. Small hand level (optional)
7. Ruler

Components

Remove the contents from the shipping carton and set them on a table where they can be easily identified and located. Check all of the components in the kit against the following list to help you become familiar with them. When you identify a component, place a check mark (✓) after it. The KEY numbers correspond to the "Component Illustrations."

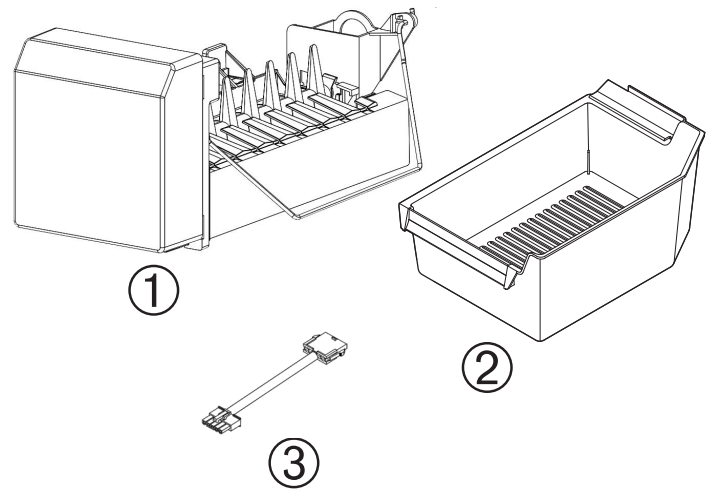
Do not discard any of the packing material until you account for all of the components.

KEY	QTY	DESCRIPTION
1	1	Ice maker
2	1	Ice bucket
3	2	Jumper harness

Installation notes

1. Follow the instructions thoroughly. Read through the entire step so that you understand it before you perform it.
2. The illustrations in this Installation Guide are meant to clarify the installation steps you need to perform. For each set of steps shown, refer to the diagram immediately beside or below the text for clarification. Some illustrations also contain "DETAILS." DETAILS are contained in bubbles alongside the larger illustration. A DETAIL shows a close-up illustration of a certain portion of a diagram or an illustration of a specific step you are to perform. DETAILS are labeled A, B, or C and are clearly referenced in each step.
3. When you are instructed to install a part, position the part as shown in the illustration.

Component Illustrations



Installing the Ice Maker


Making preparations

Refer to the illustration below for the following steps.

1. Pull the refrigerator away from the wall so that you can easily access the rear panel.

IMPORTANT: Make sure to protect the floor from any damage.

⚠ WARNING



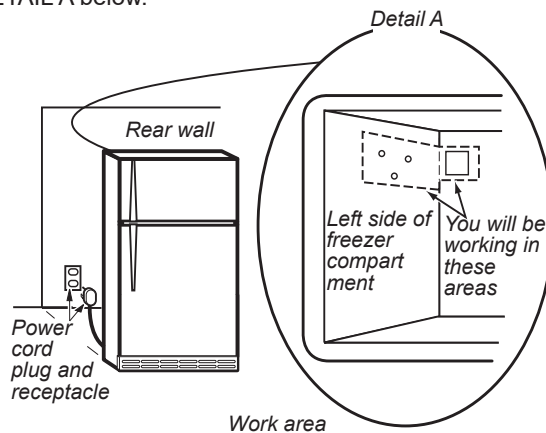
Electrical Shock Hazard

Disconnect power before installing ice maker.

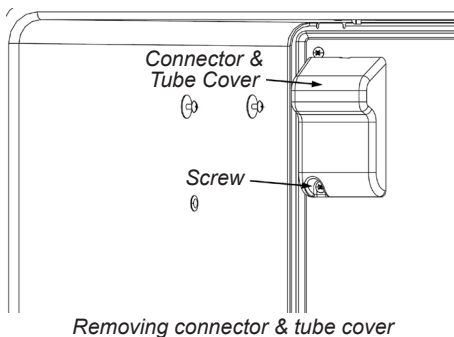
Failure to do so can result in death or electrical shock.

2. Unplug Refrigerator or disconnect power.
3. Open the freezer door and remove all of the food items from inside the freezer compartment.
4. On top-mount models without a full-width freezer shelf, remove the ice tray shelf. Place the shelf aside, as you will use it later to support the ice bucket.

NOTE: The work area for refrigerator-freezer is shown in DETAIL A below.

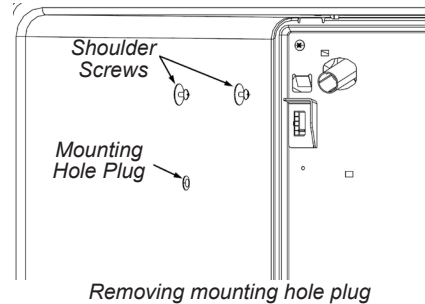


5. Remove the screw from the ice maker connector & tube cover. Retain this screw for ice maker installation. Remove cover.



6. Insert the end of a small-bladed screwdriver under the edge of the ice maker mounting hole plug in the side of the freezer liner, and pry it out of its hole. You can discard the plug.

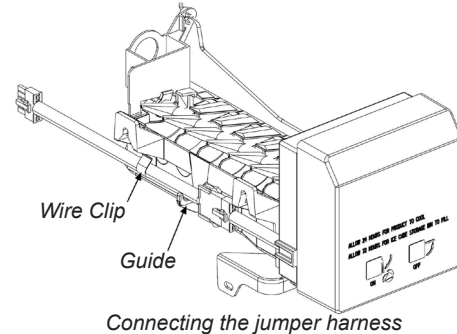
NOTE: Verify the shoulder screws are in position.



7. Take the two jumper harnesses included in the kit and determine which one can connect to the connector in the rear wall of the freezer compartment. Discard the other jumper.

Mounting the ice maker

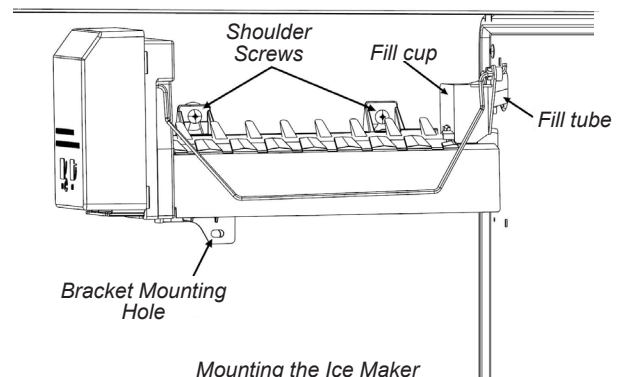
8. Connect the compatible jumper harness to the ice maker wiring harness. Route the wires over the guide and through the wire clip on the ice maker.



9. Position the ice maker inside the freezer compartment and connect its wiring connector to the freezer compartment connector so they lock together (the locking arm will snap over the raised tab). The connectors will fit together only one way.

10. Hang the ice maker from the tabs on the shoulder screws. Make sure that the bracket mounting hole is aligned with the mounting hole in the freezer liner.

NOTE: Guide fill tube through hole in fill cup.



11. Mount the ice maker to the freezer liner mounting hole with the 1/2" hex-head sheet-metal screw removed from the ice maker connector & tube cover.

Connecting the Water Supply

Read all directions before you begin.

IMPORTANT:

- Connect to potable water supply only.

Do not use with water that is microbiologically unsafe or of unknown quality without adequate disinfection before or after the system. Systems certified for cyst reduction may be used on disinfected waters that may contain filterable cysts.

- Plumbing must be installed in accordance with the International Plumbing Code and any local codes and ordinances.
- Copper and PEX tubing connections from the household water line to the refrigerator are acceptable and will help avoid off-taste or odor in your ice or water. Check for leaks.
- If PEX tubing is used instead of copper, we recommend the following part numbers: W10505928RP (7 ft [2.14 m] jacketed PEX), 8212547RP (5 ft [1.52 m] PEX), or W10267701RP (25 ft [7.62 m] PEX).
- Install tubing only in areas where temperatures will remain above freezing.

Tools Needed:

Gather the required tools and parts before starting installation.

- Flat-blade screwdriver
- 7/16" and 1/2" open-end wrenches or 2 adjustable wrenches
- 1/4" nut driver

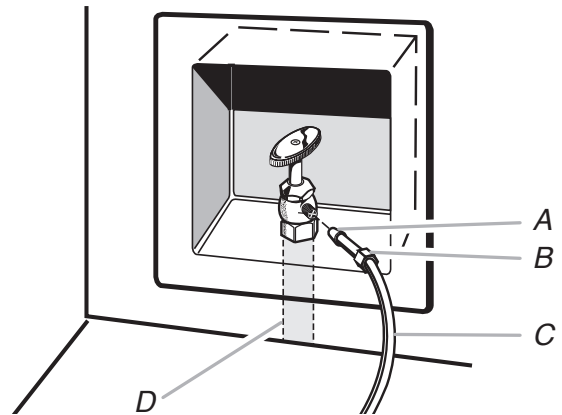
NOTE: Do not use a piercing-type or 3/16" (4.76 mm) saddle valve, which reduces water flow and clogs easier.

Connect to Water Line

IMPORTANT: If you have turned the refrigerator on before the water was connected, turn off the ice maker.

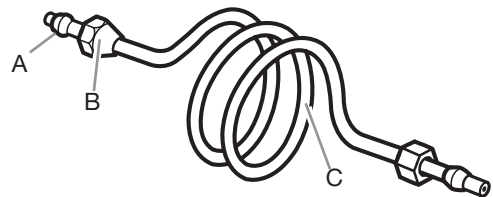
1. Unplug refrigerator or disconnect power.
2. Turn off main water supply. Turn on nearest faucet long enough to reduce water pressure in the water line.
3. Use a quarter-turn shut-off valve or the equivalent, served by a 1/2" household supply line.

NOTE: To allow sufficient water flow to the refrigerator, a minimum 1/2" (12.7 mm) size household supply line is recommended.



A. Sleeve
B. Nut
C. Copper tubing (to refrigerator)
D. Household supply line (1/2" minimum)

4. Now you are ready to connect the copper tubing to the shut-off valve. Use 1/4" (6.35 mm) O.D. (outside diameter) soft copper tubing to connect the shut-off valve and the refrigerator.
5. Ensure that you have the proper length needed for the job. Be sure both ends of the copper tubing are cut square.
6. Slip compression sleeve and compression nut onto copper tubing as shown. Insert end of tubing into outlet end squarely as far as it will go. Screw compression nut onto outlet end with adjustable wrench. Do not overtighten.



A. Compression sleeve
B. Compression nut
C. Copper tubing

7. Place the free end of the tubing into a container or sink and turn on main water supply to flush out tubing until water is clear. Turn off shut-off valve on the water pipe.

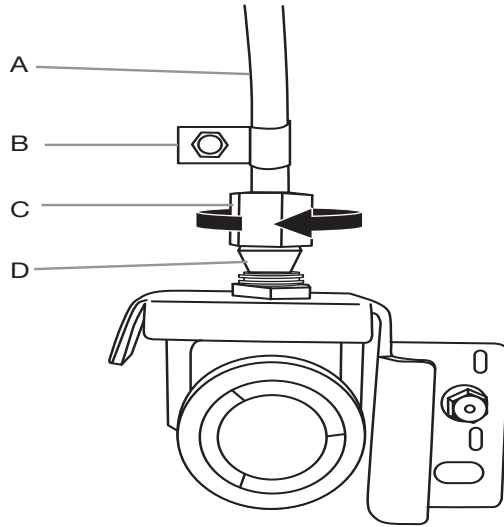
Note: Always drain the water line before making the final connection to the inlet of the water valve to avoid possible water valve malfunction.

8. Bend the copper tubing to meet the water line inlet, located on the back of the refrigerator cabinet as shown. Leave a coil of copper tubing to allow the refrigerator to be pulled out of the cabinet or away from the wall for service.

Connect to Refrigerator

Follow the connection instructions specific to your model.

1. Remove plastic cap from water valve inlet port. Attach the copper tubing to the valve inlet using a compression nut and sleeve as shown. Tighten the compression nut. Do not overtighten. Confirm copper tubing is secure by pulling on copper tubing.
2. Create a service loop with the copper tubing. Avoid kinks when coiling the copper tubing. Secure copper tubing to the rear panel with a "P" clamp, using the original screw in the panel slot above the valve.



A. Copper tubing
B. "P" clamp

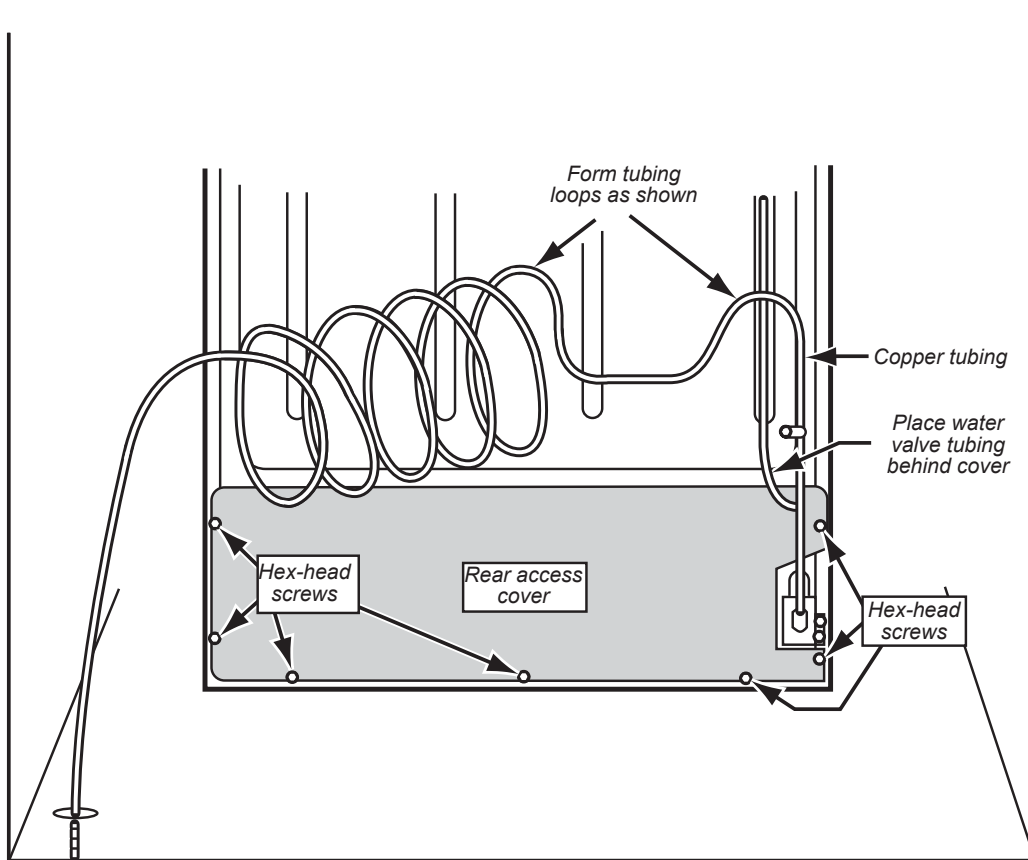
C. Compression nut
D. Compression sleeve

3. Turn on water supply to refrigerator and check for leaks. Correct any leaks.

Final Installation

Forming the copper tubing

1. Loop the copper tubing coming from the water valve as shown. Position the coiled copper tubing near the center of the unit so that it forms an “accordion-fold” (as shown in the diagram below) when it is moved to and from the wall.



Forming the copper tubing

Connecting the power/Leveling the unit

⚠ WARNING



Electrical Shock Hazard

Plug into a grounded 3 prong outlet.

Do not remove ground prong.

Do not use an adapter.

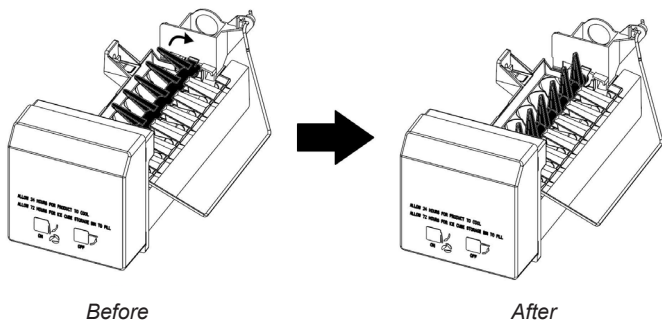
Do not use an extension cord.

Failure to follow these instructions can result in death, fire, or electrical shock.

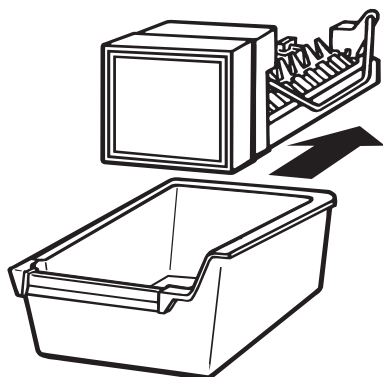
1. Plug the power cord into its AC outlet, and gently push the refrigerator back against the wall.
2. Place a level on top of the cabinet. If you need to re-level the refrigerator, follow the procedure to adjust the front casters, as outlined in your refrigerator's "User Guide."
3. Check the position of the ice maker. If it is crooked and needs to be adjusted, loosen the bottom mounting screw and position the ice maker as desired, then tighten the screw.

Starting the Ice Maker

- IMPORTANT:** Make sure freezer lights are on and freezer door switch remains open when performing this step. Manually rotate ejector fingers 60 degrees towards a vertical orientation. To avoid damaging ice maker, ejector fingers should only be rotated in a clockwise direction (see illustration).

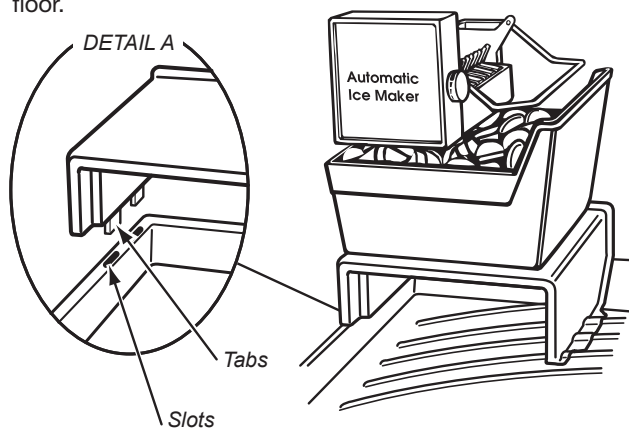


- Wash out the ice bucket, and then slide it under the ice maker (see illustration) as far as it will go. The ice bucket will be sitting on top of the freezer shelf.

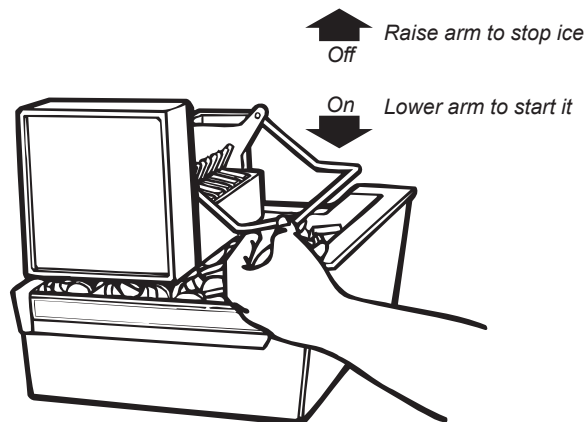


Installing the ice bucket

IMPORTANT: On top-mount models without a full-width freezer shelf, you will need to place the ice bucket on top of the inverted ice tray shelf. First, position the ice tray shelf face down so that the shorter side is alongside the freezer wall (see DETAIL A). Then insert the tabs on the shorter side of the shelf into the slots on the edge of the freezer floor. This will hold the shelf in position. Next, place the ice bucket on top of the inverted ice tray shelf and slide it under the ice maker (see illustration). The ice maker will not function properly if the ice bucket is placed directly on the freezer floor.



- Place the items back into the freezer compartment.
- Lower the arm on the ice maker (see illustration) to its "on" position, and close the freezer door. The ice maker will begin to make ice within 24 hours.



Turning the ice maker on

NOTE: It usually takes approximately 24 hours for the ice maker to begin producing ice. Once ice is available, you may notice that it has an "off taste." If this happens, make two or three batches of ice and discard them. After that, the "off-taste" should be gone. If you have any problems, refer to "Troubleshooting" section.

This completes the installation of your Ice Maker.

Troubleshooting

Operational notes

1. The Ice Maker water valve contains a flow washer that acts like a pressure regulator to control the water flow. For the Ice Maker to work properly, the water pressure in your home must be between 20 and 120 pounds per-square-inch (psi). If you encounter problems with your Ice Maker's ability to produce ice, call your water utility company and have the water pressure checked.
2. The Ice Maker's water valve is equipped with two strainers: a plastic basket type and a wire-mesh screen. Both of these can be cleaned by turning off the water and disassembling the water valve (your service center should be able to provide this service). If local water conditions require periodic cleaning, or if you use a well as a water source, you should consider installing a second water strainer in the water line. You can obtain a water strainer from your local appliance dealer.

Troubleshooting chart

The following chart lists several common problems that could occur with your Ice Maker.

PROBLEM	CAUSE
One or more of the following sounds is heard: <ul style="list-style-type: none">■ Buzzing■ Trickling water■ Thud (clatter of ice)	The water valve is operating. Water is entering the Ice Maker fill cup. Ice is being dumped into the ice bin.
Ice tastes stale.	The ice is old. Make a new batch.
Water in Ice Maker overflows.	Refrigerator or Ice Maker is not level. If the Ice Maker still overflows after leveling, turn off the Ice Maker's water supply at the shut-off valve, and raise the Ice Maker's bail arm to the "off" position; then contact your local service center.
Not enough ice.	It will take 72 hours to fill the ice bucket. The ice maker will make ice every 2 to 3 hours. For more ice, adjust the freezer control for a colder setting.
Ice making has stopped.	Be sure that the bail arm is lowered into the ice bucket. Make sure that the water shut-off valve is on. The water shut-off valve or the water valve screen is clogged (contact your local service center).

Informations importantes :

Les informations suivantes sont utilisées tout au long de ce guide d'installation. Lire ce guide attentivement pour s'en familiariser.

Votre sécurité et celle des autres est très importante.

Nous donnons de nombreux messages de sécurité importants dans ce manuel et sur votre appareil ménager. Assurez-vous de toujours lire tous les messages de sécurité et de vous y conformer.



Voici le symbole d'alerte de sécurité.

Ce symbole d'alerte de sécurité vous signale les dangers potentiels de décès et de blessures graves à vous et à d'autres.

Tous les messages de sécurité suivront le symbole d'alerte de sécurité et le mot "DANGER" ou "AVERTISSEMENT". Ces mots signifient :

⚠ DANGER

Risque possible de décès ou de blessure grave si vous ne suivez pas immédiatement les instructions.

⚠ AVERTISSEMENT

Risque possible de décès ou de blessure grave si vous ne suivez pas les instructions.

Tous les messages de sécurité vous diront quel est le danger potentiel et vous disent comment réduire le risque de blessure et ce qui peut se produire en cas de non-respect des instructions.

- Ce Guide d'installation présente les instructions complètes d'installation de la machine à glaçons dans le congélateur du réfrigérateur, et les instructions de raccordement entre la conduite d'arrivée d'eau et la machine. Lire le guide et suivre les instructions exactement comme elles sont présentées. S'assurer également de respecter toutes les instructions de « sécurité ».
- **IMPORTANT** : L'installation de la conduite d'eau et de la machine à glaçons doit être effectuée par un technicien de service qualifié.
- Avant d'entreprendre l'installation de la machine à glaçons, il est nécessaire d'acquérir un ensemble « Tube en cuivre malléable », contenant un ensemble robinet d'arrêt ordinaire/ bride de prise en charge (pour réfrigérateur avec machine à glaçons automatique ou casiers auto-remplissables). L'ensemble contient tout le matériel nécessaire pour le raccordement de la machine à glaçons à la source d'eau. On peut acheter l'ensemble nécessaire dans la plupart des magasins de quincaillerie ou de fournitures de plomberie.

REMARQUE : Ne pas utiliser de vannes d'arrêt de type perforant ou de 3/16 po. Ils réduisent le débit d'eau vers la machine à glaçons et sont facilement obstrués. Ne pas utiliser de tube en polyéthylène pour connecter la machine à glaçons à la conduite d'eau. Utiliser uniquement des tubes en cuivre de 1/4 po (DE).

**L'INSTALLATION RÉALISÉE PAR LE CLIENT/
UTILISATEUR N'EST PAS GARANTIE PAR LE FABRICANT
DU RÉFRIGÉRATEUR OU DE LA MACHINE À GLAÇONS.**

Avant de commencer

Outils

Rassembler les outils et composants nécessaires avant d'entreprendre le processus d'installation. Lire et observer les instructions fournies avec chacun des outils de la liste suivante.

1. Tournevis ordinaire
2. Tournevis à tête cruciforme
3. Clés plates de 7/16 po et 1/2 po (ou clé à molette)
4. Pince
5. Tourne-écrou de 1/4 po
6. Petit niveau manuel (facultatif)
7. Règle

Composants

Ôter les divers articles de l'emballage d'expédition, et placer ceux-ci sur une table pour pouvoir les identifier facilement. Vérifier la présence de chaque composant de l'ensemble, par comparaison à la liste ; ceci permet également à l'installateur de se familiariser avec les composants. Après avoir identifié un composant, cocher (✓) son nom dans la liste. Les CODES DE REPÉRAGE correspondent à l'« Illustration des composants ».

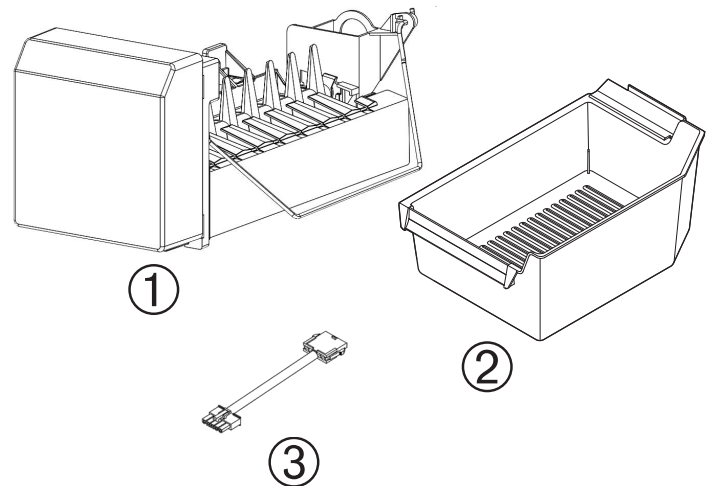
Ne jeter aucun matériau d'emballage avant d'avoir vérifié la présence de tous les composants.

TOUCHE	QTÉ	DESCRIPTION
1	1	Machine à glaçons
2	1	Seau à glaçons
3	2	Faisceau de cavalier

Remarques concernant l'installation

1. Suivre les instructions complètement. Lire la totalité de la description de chaque étape pour bien comprendre le processus avant de l'exécuter.
2. Les illustrations présentées dans ce Guide d'installation clarifient la description des étapes de l'installation à exécuter. Pour chaque groupe d'étapes, étudier le schéma présenté juste à côté ou au-dessous du texte, pour tout besoin de clarification. Certaines illustrations contiennent également des « DÉTAILS ». Les DÉTAILS sont contenus dans des bulles à côté de l'illustration plus grande. Un DÉTAIL présente un gros plan d'une certaine partie d'un schéma, ou une illustration d'une étape spécifique à exécuter. Les DÉTAILS par un code alphabétique (A, B ou C), et il y est fait clairement référence dans le texte descriptif de chaque étape.
3. Lorsqu'il est nécessaire d'installer une pièce, positionner la pièce comme indiqué sur l'illustration.

Illustrations des composants



Installation de la machine à glaçons

Opérations préparatoires

Voir l'illustration ci-dessous au sujet des étapes suivantes.

1. Écarter le réfrigérateur du mur pour pouvoir accéder facilement au panneau arrière.

IMPORTANT : Assurez-vous de protéger le sol de tout dommage.

AVERTISSEMENT



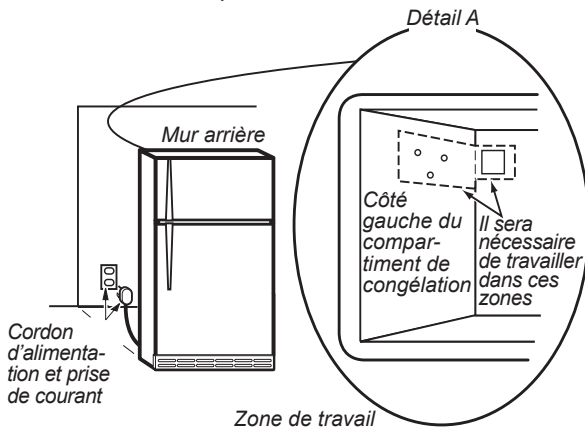
Risque de choc électrique

Déconnecter la source de courant électrique avant l'installation de la machine à glaçons.

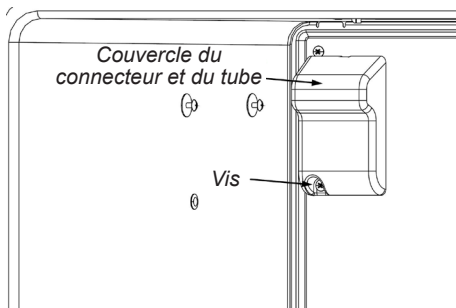
Le non-respect de cette instruction peut causer un décès ou un choc électrique.

2. Débrancher le réfrigérateur ou déconnecter la source de courant électrique.
3. Ouvrir la porte du congélateur et retirer tous les aliments de l'intérieur du compartiment de congélation.
4. Pour un appareil à congélateur en haut qui ne comporte pas une tablette pleine largeur dans le congélateur, retirer la tablette de plateau à glaçons. Placer la tablette à part ; elle sera réutilisée comme support du panier à glaçons.

REMARQUE : Pour le réfrigérateur/congélateur, la zone de travail est identifiée par l'illustration DÉTAIL A ci-dessous.



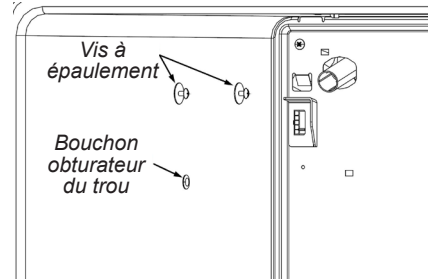
5. Retirer la vis du connecteur et du tube de la machine à glaçons. Conserver cette vis pour l'installation de la machine à glaçons. Ôter le couvercle.



Retrait du couvercle du connecteur et du tube

6. Insérer l'extrémité d'un petit tournevis à tête plate sous le bord du bouchon obturateur du trou de montage de la machine à glaçons sur le côté de la paroi interne du congélateur et l'extraire de son trou. Jeter le bouchon.

REMARQUE : Vérifier que les vis à épaulement sont en position.

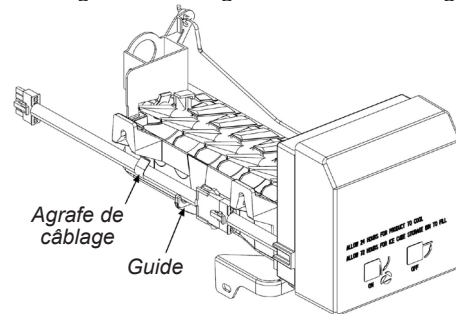


Retrait du bouchon obturateur du trou de montage

7. Prendre les deux faisceaux de cavaliers inclus dans la trousse et déterminer lequel peut se connecter au connecteur dans la paroi arrière du compartiment de congélation. Jeter l'autre cavalier.

Montage de la machine à glaçons

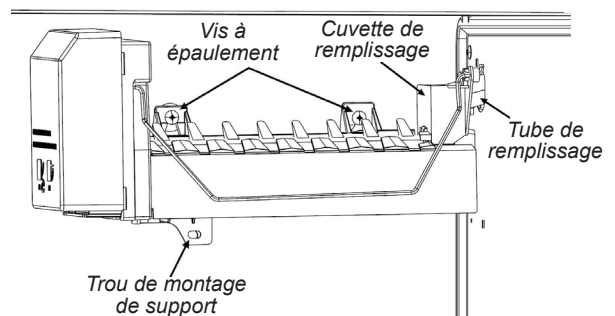
8. Connecter le faisceau de cavalier compatible au faisceau de câbles de la machine à glaçons. Faire passer les fils sur le guide et à travers l'agrafe de câblage dans la machine à glaçons.



Connexion du faisceau de cavalier

9. Positionner la machine à glaçons à l'intérieur du compartiment de congélation, et raccorder/verrouiller ensemble son connecteur de câblage et le connecteur du compartiment de congélation (la patte de blocage se calera au-dessus de l'onglet de positionnement en saillie). Les connecteurs ne peuvent être raccordés que d'une seule façon.
10. Accrocher la machine à glaçons aux onglets des vis à épaulement. S'assurer que le trou de montage du support est aligné avec le trou de montage dans la paroi interne du congélateur.

REMARQUE : Guider le tube de remplissage à travers le trou de la cuvette de remplissage.



Montage de la machine à glaçons

11. Monter la machine à glaçons sur le trou de montage de la paroi interne du congélateur au moyen de la vis à tête hexagonale de 1/2 po retirée du couvercle du connecteur et du tube de la machine à glaçons.

Raccordement à la conduite d'eau

Lire toutes les instructions avant de commencer.

IMPORTANT :

- Brancher sur une alimentation en eau potable uniquement.

Ne pas utiliser pour le filtrage d'une eau microbiologiquement polluée ou de qualité inconnue en l'absence d'un dispositif de désinfection adéquat avant ou après le système. Les systèmes certifiés pour la réduction de kyste peuvent être utilisés pour l'eau désinfectée qui peut contenir des kystes filtrables.

- Réaliser l'installation de plomberie conformément aux prescriptions du International Plumbing Code et des normes et codes locaux en vigueur.
- Il est possible d'utiliser des raccords en cuivre ou en polyéthylène réticulé pour le raccordement de la conduite d'eau du domicile au réfrigérateur ; ils contribuent à éviter que l'eau ait un goût ou une odeur désagréable. Vérifier qu'il n'y a pas de fuites.
- Si on utilise un tube en polyéthylène réticulé au lieu d'un tube en cuivre, nous recommandons les numéros de pièce suivants : W10505928RP (PEX chemisé de 7 pi [2,14 m]), 8212547RP (PEX de 5 pi [1,52 m]), ou W10267701RP (PEX de 25 pi [7,62 m]).
- Installer des tubes seulement là où les températures resteront au-dessus du point de congélation.

Outils requis :

Rassembler les outils et pièces nécessaires avant d'entreprendre l'installation.

- Tournevis à tête plate
- Clés plates de 7/16 po et 1/2 po ou 2 clés à molette
- Tourne-écrou de 1/4 po

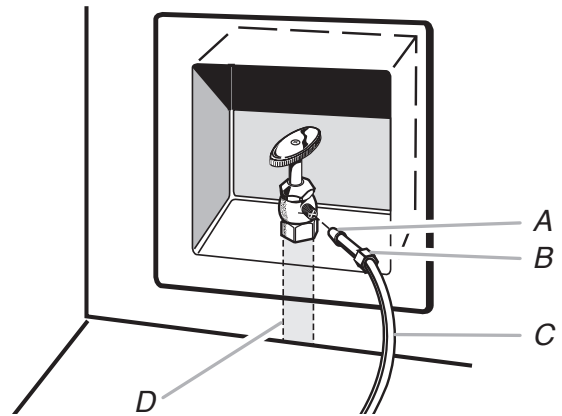
REMARQUE : Ne pas employer de robinet d'arrêt à étrier de 3/16 po (4,76 mm) ou de type à percer, car cela réduit le débit d'eau et augmente le risque d'obstruction.

Raccordement à la conduite d'eau

IMPORTANT : Si le réfrigérateur est mis en marche avant de raccorder la conduite d'eau, mettre la machine à glaçons à l'arrêt.

1. Débrancher le réfrigérateur ou déconnecter la source de courant électrique.
2. Couper l'alimentation principale en eau. Ouvrir le robinet le plus proche suffisamment longtemps pour réduire la pression de l'eau dans la conduite d'eau.
3. Utiliser un robinet d'arrêt quart de tour ou équivalent alimenté par une conduite d'alimentation domestique de 1/2 po.

REMARQUE : Pour que le réfrigérateur reçoive un débit d'eau suffisant, on recommande l'emploi d'une conduite d'alimentation domestique en cuivre de 1/2 po (12,7 mm).



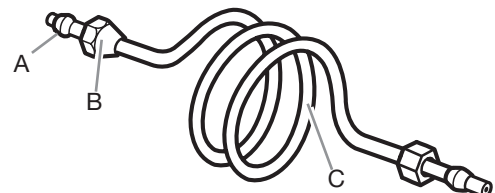
A. Manche

B. Écrou

C. Tube en cuivre (jusqu'au réfrigérateur)

D. Conduite d'alimentation du domicile (1/2 po minimum)

4. Il est maintenant possible de connecter le tube en cuivre au robinet d'arrêt. Utiliser un tube en cuivre de 1/4 po (6,35 mm) (diamètre externe) pour raccorder le robinet d'arrêt au réfrigérateur.
5. S'assurer d'avoir la longueur nécessaire pour une installation correcte. Il faut s'assurer que les deux extrémités du tube en cuivre sont bien coupées à angle droit.
6. Installer la bague et l'écrou à compression sur le tube en cuivre comme indiqué. Insérer l'extrémité du tube aussi profondément que possible dans l'extrémité de sortie et à l'équerre. Visser l'écrou de compression sur l'extrémité de sortie du raccord à l'aide d'une clé à molette. Ne pas serrer excessivement.



A. Bague de compression

B. Écrou de compression

C. Tube en cuivre

7. Placer l'extrémité libre du tube dans un contenant ou un évier et rétablir l'alimentation principale en eau pour nettoyer le tuyau jusqu'à ce que l'eau soit limpide. Fermer le robinet d'arrêt sur le tuyau d'alimentation en eau.

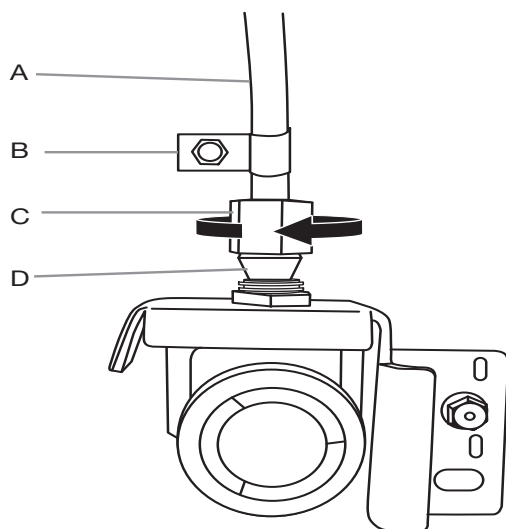
Remarque : Toujours vidanger la conduite d'alimentation en eau avant de faire le raccordement final sur l'entrée du robinet pour éviter tout mauvais fonctionnement éventuel du robinet.

8. Courber le tube en cuivre de façon à le raccorder à l'arrivée de la conduite d'eau située à l'arrière de la caisse du réfrigérateur, comme illustré. Laisser une partie du tube en cuivre enroulée pour permettre de dégager le réfrigérateur de la caisse ou du mur en cas de dépannage.

Raccordement au réfrigérateur

Suivre les instructions relatives au modèle utilisé pour le raccordement.

1. Ôter le bouchon de plastique de l'orifice d'entrée d'eau. Raccorder le tube en cuivre au robinet d'arrivée d'eau à l'aide d'un écrou et d'une bague de compression, comme illustré. Serrer l'écrou de compression. Ne pas serrer excessivement. Vérifier la solidité du raccordement en tirant sur le tube en cuivre.
2. Créer une boucle de service avec le tube en cuivre. Éviter de déformer le tube en cuivre en l'enroulant. Fixer le tube en cuivre au panneau arrière avec une pince en « P », en utilisant la vis d'origine dans la fente du panneau au-dessus de l'électrovanne.



A. Tube en cuivre

B. Bride en « P »

C. Écrou à compression

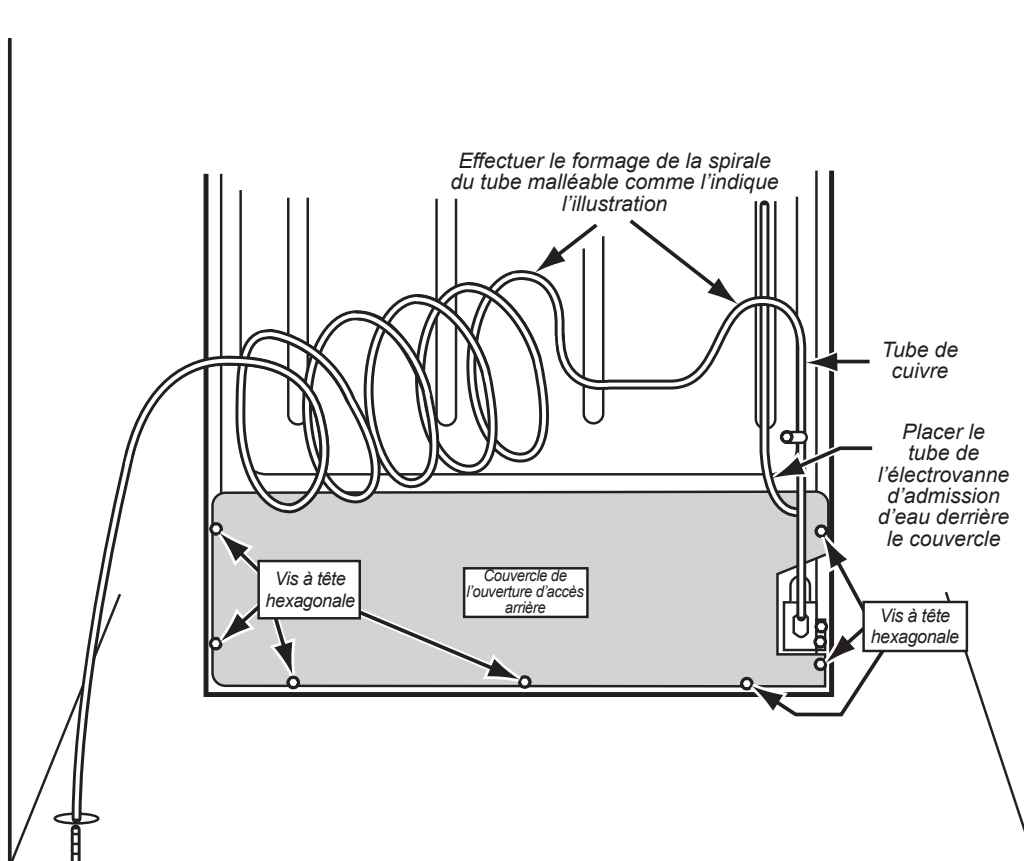
D. Bague de compression

3. Ouvrir l'arrivée d'eau alimentant le réfrigérateur et vérifier l'absence de fuites. Éliminer toute fuite détectée.

Installation finale

lover le tube de cuivre

1. Former une spirale avec le tube de cuivre malléable, à partir de l'électrovanne d'admission d'eau, comme on le voit sur l'illustration. Positionner le tube de cuivre en spirale près du centre de l'appareil de manière à le déployer en forme d'un « accordéon » (voir le schéma ci-dessous) lorsqu'on écarte l'appareil du mur et lorsqu'on le rapproche du mur.



Lover le tube de cuivre

Rétablissement de l'alimentation électrique/réglage de l'aplomb de l'appareil

⚠ AVERTISSEMENT



Risque de choc électrique

Brancher sur une prise à 3 alvéoles reliée à la terre.

Ne pas enlever la broche de liaison à la terre.

Ne pas utiliser un adaptateur.

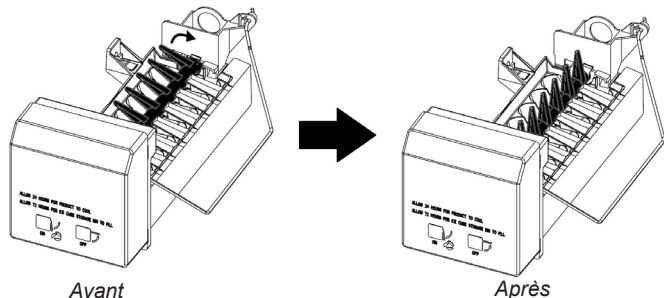
Ne pas utiliser un câble de rallonge.

Le non-respect de ces instructions peut causer un décès, un incendie ou un choc électrique.

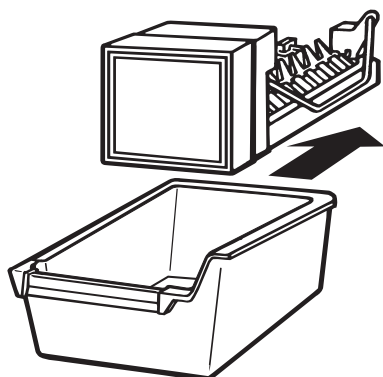
1. Brancher le cordon d'alimentation sur la prise de courant CA et pousser doucement le réfrigérateur contre le mur.
2. Placer un niveau au sommet de la caisse. S'il est nécessaire d'ajuster l'aplomb du réfrigérateur, employer le processus de réglage des roulettes avant, décrit dans le « Guide d'utilisation ».
3. Vérifier la position de la machine à glaçons. Si l'appareil n'est pas d'aplomb et doit être ajusté, desserrer la vis de montage inférieur et positionner la machine à glaçons à votre guise, puis serrer la vis.

Mise en marche de la machine à glaçons

1. **IMPORTANT** : S'assurer que la lampe du congélateur est allumée et que la porte du congélateur reste ouverte avant d'effectuer cette étape. Faire pivoter manuellement les doigts d'éjection de 60 degrés vers une orientation verticale. Pour éviter d'endommager la machine à glaçons, les doigts d'éjection ne doivent être tournés que dans le sens horaire (voir l'illustration).

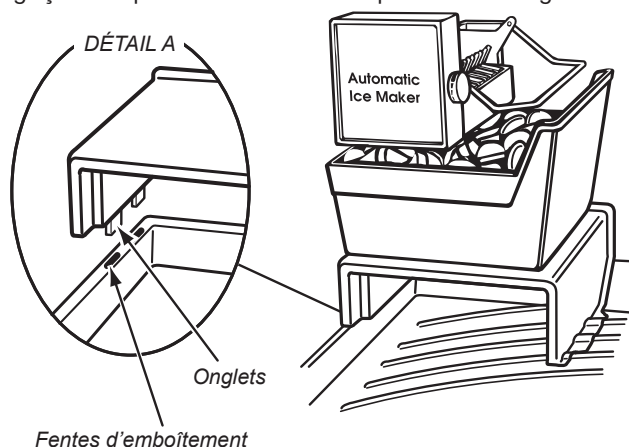


2. Laver le panier à glaçons, et faire glisser le bac sous la machine à glaçons (voir l'illustration) aussi loin qu'il peut aller. Le panier à glaçons reposera sur le sommet de la tablette du congélateur.

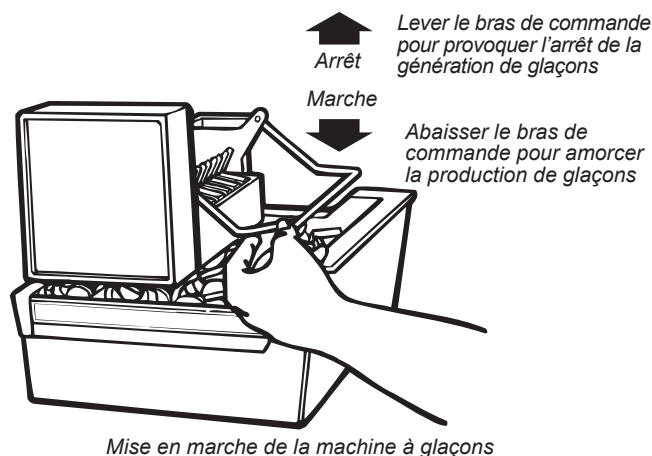


Installation du panier à glaçons

IMPORTANT : Dans le cas d'un appareil à congélateur en haut, sans étagère de pleine largeur dans le congélateur, il sera nécessaire de placer le panier à glaçons au sommet de l'étagère inversée des casiers à glaçons. Tout d'abord, positionner l'étagère du casier à glaçons face vers le bas, pour que le côté le plus court soit placé le long de la paroi du congélateur (voir DÉTAIL A). Insérer ensuite les onglets de positionnement (sur le côté le plus court de l'étagère) dans les fentes d'emboîtement sur le bord du plancher du congélateur ; ceci permettra de maintenir la tablette à la bonne position. Ensuite, placer le panier à glaçons au sommet de la tablette inversée des plateaux à glaçons et faire glisser le panier sous la machine à glaçons (voir l'illustration). La machine à glaçons ne peut pas fonctionner correctement si le panier à glaçons est placé directement sur le plancher du congélateur.



3. Remettre dans le compartiment de congélation les articles alimentaires qui avaient été retirés précédemment.
4. Abaisser le bras de commande de la machine à glaçons (voir l'illustration) à sa position de fonctionnement (On) et fermer la porte du congélateur. La machine à glaçons commencera à produire des glaçons dans les 24 heures.



REMARQUE : Il faut généralement attendre environ 24 heures pour que la machine à glaçons commence à produire des glaçons. Lorsque de la glace est disponible, on remarquera peut-être une « saveur inhabituelle » ; si c'est le cas, jeter les deux ou trois premiers lots de glaçons produits ; après cela, la « saveur inhabituelle » observée devrait disparaître. En cas de problème, consulter la section « Dépannage ».

Ceci termine le processus d'installation de la machine à glaçons.

Dépannage

Notes sur le fonctionnement de l'appareil

1. L'électrovanne de la machine à glaçons comporte un dispositif qui tient lieu de régulateur de pression et contrôle ainsi le débit d'eau. Pour que la machine à glaçons fonctionne correctement, il faut que la pression de l'eau dans le circuit de la résidence soit d'environ 20 à 120 livres par pouce carré (lb/po²). En cas de problème affectant la capacité de la machine à glaçons à produire de la glace, contacter la compagnie locale de distribution d'eau pour demander un contrôle de la pression de distribution.
2. L'électrovanne d'admission d'eau de la machine à glaçons est équipée de deux crépines : une crépine en plastique en forme de panier, et un tamis métallique ; pour le nettoyage des deux éléments de filtrage, fermer l'arrivée d'eau et démonter l'électrovanne d'admission d'eau (ce travail peut être confié à un centre de service après-vente local). Si la qualité de l'eau distribuée localement nécessite l'exécution d'un nettoyage périodique, ou si l'eau utilisée provient d'un puits, il pourra être utile d'installer un second dispositif de filtrage de l'eau dans la conduite d'arrivée d'eau. On peut acquérir un dispositif de filtrage de l'eau chez un revendeur local d'appareils ménagers.

Tableau de diagnostic/dépannage

Le tableau qui suit décrit quelques problèmes usuels qui peuvent survenir et affecter la machine à glaçons.

PROBLÈME	CAUSE
Bruit perceptible (un ou plusieurs des bruits suivants) : <ul style="list-style-type: none">■ Bourdonnement■ Écoulement d'eau lent■ Claquement (émanant des glaçons)	Fonctionnement de l'électrovanne d'admission d'eau. L'eau pénètre dans la cuvette de remplissage de la machine à glaçons. Déversement des glaçons dans le tiroir à glaçons.
Saveur de « pas frais » des glaçons.	Les glaçons sont vieux. Préparer un nouveau lot de glaçons.
Débordement d'eau dans la machine à glaçons.	Défaut d'aplomb du réfrigérateur ou de la machine à glaçons. Si on observe encore un débordement dans la machine à glaçons après le réglage de l'aplomb, fermer l'arrivée d'eau de la machine à glaçons (au niveau du robinet d'arrêt), et soulever le bras de commande de la machine à glaçons à la position d'arrêt « off »; contacter ensuite le centre de dépannage local.
Quantité de glaçons insuffisante.	Le délai de remplissage du panier à glaçons est d'environ 72 heures. La machine à glaçons produit des glaçons à intervalles de 2 à 3 heures. Pour augmenter la production de glace, régler le thermostat du congélateur pour une plus basse température.
Arrêt de la production de glace.	Veiller à abaisser le bras de commande dans le panier à glaçons. Vérifier que le robinet d'arrêt de la conduite d'eau est ouvert. Le robinet d'arrêt de la conduite d'eau ou le tamis de filtrage de l'électrovanne d'admission d'eau est obstrué (contacter le centre local de service après-vente).

Información importante

La siguiente información se aplica a lo largo de toda la Guía de instalación. Léala detenidamente para familiarizarse con ella.

Su seguridad y la seguridad de los demás es muy importante.

Hemos incluido muchos mensajes importantes de seguridad en este manual y en su electrodoméstico. Lea y obedezca siempre todos los mensajes de seguridad.



Este es el símbolo de alerta de seguridad.

Este símbolo le llama la atención sobre peligros potenciales que pueden ocasionar la muerte o una lesión a usted y a los demás.

Todos los mensajes de seguridad irán a continuación del símbolo de advertencia de seguridad y de la palabra "PELIGRO" o "ADVERTENCIA". Estas palabras significan:

 **PELIGRO**

Si no sigue las instrucciones de inmediato, usted puede morir o sufrir una lesión grave.

 **ADVERTENCIA**

Si no sigue las instrucciones, usted puede morir o sufrir una lesión grave.

Todos los mensajes de seguridad le dirán el peligro potencial, le dirán cómo reducir las posibilidades de sufrir una lesión y lo que puede suceder si no se siguen las instrucciones.

- Esta Guía de instalación le provee las instrucciones completas sobre cómo instalar el juego de la fábrica de hielo en su refrigerador-congelador con fábrica de hielo y sobre cómo conectar la línea de agua en esta. Lea la guía y siga las instrucciones al pie de la letra. También asegúrese de observar todas las instrucciones de seguridad.
- **IMPORTANTE:** La línea de agua y la fábrica de hielo deben ser instaladas por un técnico de servicio calificado.
- Antes de comenzar a instalar el juego de la fábrica de hielo, deberá comprar un juego de tubería de cobre que incluya un "Conjunto de válvula común y abrazadera" (para los refrigeradores que tengan una fábrica de hielo automática o bandejas de llenado automático). El juego incluye todas las piezas de ferretería necesarias para conectar su fábrica de hielo al suministro de agua. Lo puede adquirir en cualquier ferretería o tienda de artículos de plomería.

NOTA: No use una válvula perforadora ni una válvula de cierre de 3/16". Éstas reducen el flujo de agua a la fábrica de hielo y se obstruyen fácilmente. No use tubería de polietileno para conectar la fábrica de hielo a la línea de agua. Use solamente tubería de cobre de 1/4" de diámetro externo.

LA INSTALACIÓN POR PARTE DEL CLIENTE NO ESTÁ GARANTIZADA POR EL FABRICANTE DEL REFRIGERADOR NI EL DE LA FÁBRICA DE HIELO.

Antes de comenzar

Herramientas

Reúna las herramientas y piezas necesarias antes de comenzar la instalación. Lea y siga las instrucciones provistas con cualquiera de las herramientas detalladas aquí.

1. Destornillador común
2. Destornillador Phillips
3. Llaves de extremo abierto de 7/16" y 1/2" (o una llave ajustable)
4. Pinzas
5. Llave para tuercas de 1/4"
6. Nivel pequeño manual (opcional)
7. Regla

Componentes

Saque el contenido de la caja de envío y coloque los artículos sobre una mesa, en donde se puedan identificar y ubicar fácilmente. Revise que todos los componentes en el juego se encuentren en la lista a continuación para ayudarlo a familiarizarse con ellos. Cuando identifique un componente, ponga una palomita al lado (✓). Los números CLAVE corresponden a las "Ilustraciones de los componentes".

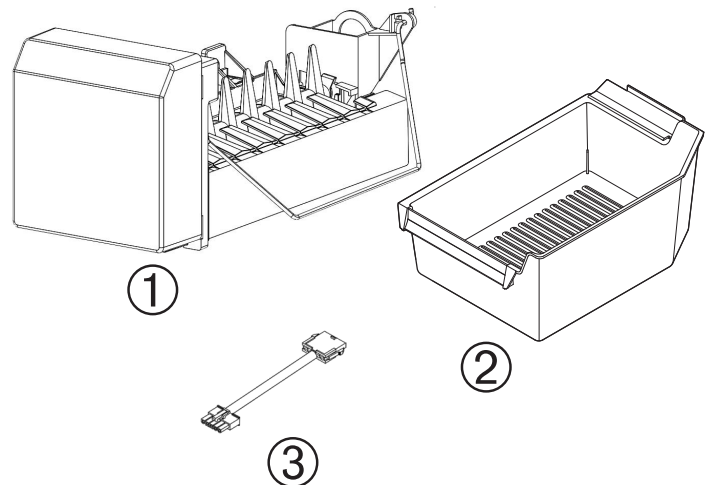
No deseche el material de empaque hasta que haya confirmado que se incluyeron todos los componentes.

TECLA	CANT.	DESCRIPCIÓN
1	1	Fábrica de hielo
2	1	Balde de hielo
3	2	Arnés de puente

Notas sobre la instalación

1. Siga las instrucciones detenidamente. Lea cada paso por completo para que lo entienda bien antes de realizarlo.
2. Las ilustraciones en esta Guía de instalación se han incluido para aclarar los pasos que debe realizar para la instalación. Consulte el diagrama que se muestra justo al lado o debajo del texto de cada uno de los pasos si requiere clarificación. Algunas ilustraciones también incluyen "DETALLES". Los DETALLES se incluyen en globos al lado de la ilustración más grande. Un DETALLE muestra una ilustración en primer plano de una porción en particular de un diagrama o de una ilustración de un paso específico que debe realizar. Los DETALLES están marcados como A, B o C y están claramente referenciados en cada paso.
3. Cuando se le indique que instale una pieza, colóquela como se muestra en la ilustración.

Ilustraciones de los componentes



Instalación de la fábrica de hielo

Pasos de preparación

Consulte la ilustración a continuación para los siguientes pasos.

1. Aleje el refrigerador de la pared para que pueda acceder fácilmente al panel posterior.
IMPORTANTE: Asegúrese de proteger el piso de cualquier daño.

⚠ ADVERTENCIA

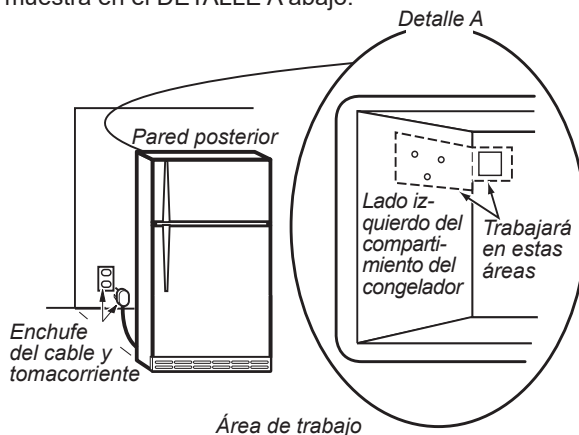


Peligro de Choque Eléctrico

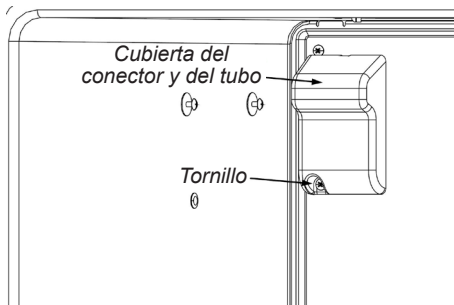
Desconecte el suministro de energía antes de instalar la fábrica de hielo.

No seguir esta instrucción puede ocasionar la muerte o choque eléctrico.

2. Desenchufe el refrigerador o desconecte el suministro de energía.
3. Abra la puerta del congelador y saque todos los alimentos del compartimiento interior del congelador.
4. En aquellos modelos con congelador en la parte superior, sin estante de ancho completo en el congelador, saque el estante de la bandeja para hielo. Coloque el estante a un lado; lo va a utilizar más adelante para apoyar el balde para hielo.
NOTA: El área de trabajo para el refrigerador/congelador se muestra en el DETALLE A abajo.

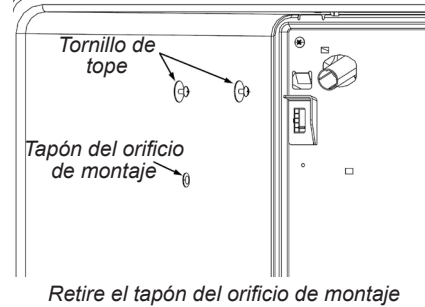


5. Saque el tornillo de la cubierta del conector de la fábrica de hielo y del tubo. Conserve este tornillo para la instalación de la fábrica de hielo. Retire la cubierta



Cómo quitar la cubierta del conector y el tubo

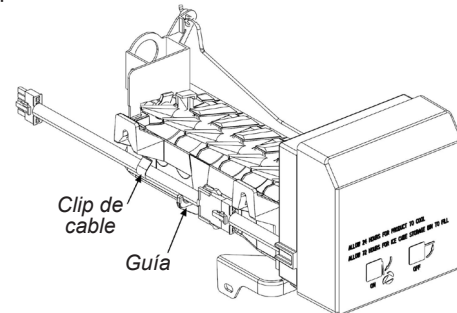
6. Inserte el extremo de un destornillador de punta pequeña debajo del borde del tapón del orificio de montaje de la máquina de hielo en el costado del revestimiento del congelador y sáquelo de su orificio. Puede desechar el tapón.
NOTA: Verifique que los tornillos de tope estén en su lugar.



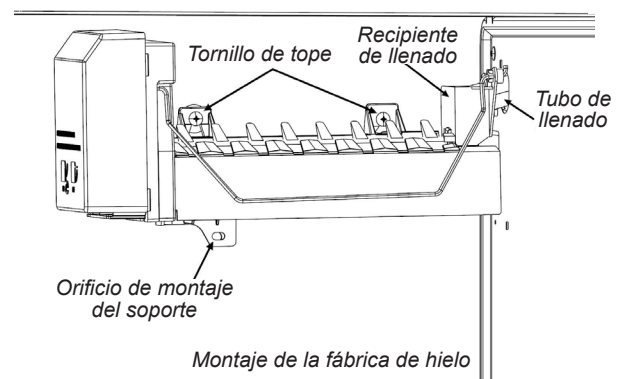
7. Tome los dos arneses de puente que se incluyen en el kit y determine cuál puede conectarse al conector que está en la pared trasera del compartimiento del congelador. Deseche el otro.

Montaje de la fábrica de hielo

8. Conecte el arnés de puente compatible al mazo de cables de la fábrica de hielo. Pase los cables sobre la guía y a través del clip de alambre en la fábrica de hielo.



9. Coloque la fábrica de hielo dentro del compartimiento del congelador y conecte su conector de cableado al conector del compartimiento del congelador, de modo que queden asegurados juntos (el brazo de bloqueo encajará sobre la lengüeta levantada). Los conectores encajarán juntos de un solo modo.
10. Cuelgue la fábrica de hielo en las lengüetas ubicadas en los tornillos de tope. Asegúrese de que el orificio de montaje del soporte esté alineado con el orificio de montaje en el revestimiento del congelador.
NOTA: Guíe el tubo de llenado a través del orificio en la copa de llenado.



- Monte la fábrica de hielo en el orificio de montaje del revestimiento del congelador con el tornillo de hoja de metal de cabeza hexagonal de 1/2" retirado del conector de la fábrica de hielo y la cubierta del tubo.

Conexión del suministro de agua

Lea todas las instrucciones antes de comenzar.

IMPORTANTE:

- Conecte solamente al suministro de agua potable.

No use con agua que no sea microbiológicamente segura o que sea de calidad desconocida sin desinfectarla adecuadamente antes o después del sistema. Pueden usarse sistemas certificados para la reducción de quistes en aguas desinfectadas que puedan contener quistes filtrables.

- La plomería debe instalarse de acuerdo con el Código internacional de plomería y cualquier norma y ordenanza local.
- Las conexiones de tuberías de cobre y polietileno reticulado (PEX) de la línea de agua doméstica al refrigerador son aceptables y ayudarán a evitar el mal sabor o mal olor en el hielo o el agua. Revise si hay fugas.
- Si se usa tubería de PEX en lugar de cobre, recomendamos los siguientes números de pieza: W10505928RP (7 ft [2,14 m] de PEX revestido), 8212547RP (5 ft [1,52 m] de PEX) o W10267701RP (25 ft [7,62 m] de PEX).
- Instale la tubería solo en áreas donde la temperatura va a permanecer por encima del punto de congelación.

Herramientas necesarias:

Reúna las herramientas y las piezas necesarias antes de comenzar la instalación.

- Destornillador de cabeza plana
- Llaves de extremo abierto de 7/16" y 1/2" o 2 llaves ajustables
- Llave para tuercas de 1/4"

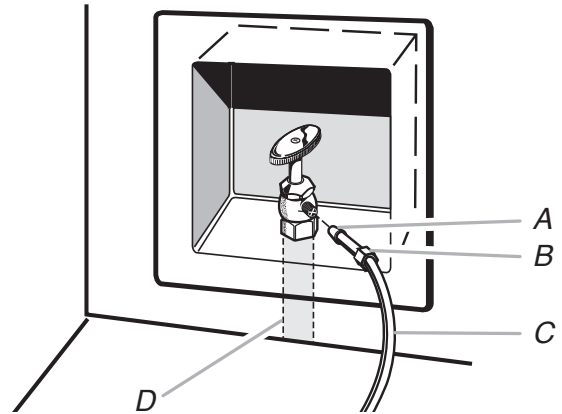
NOTA: No use una válvula perforadora o una válvula de montura de 3/16" (4,76 mm) que reduce el flujo de agua y se obstruye con mayor facilidad.

Cómo conectar a la línea de agua

IMPORTANTE: Si encendió el refrigerador antes de conectar el agua, apague la fábrica de hielo.

- Desenchufe el refrigerador o desconecte el suministro de energía.
- Cierre el suministro principal de agua. Abra el grifo más cercano al tiempo suficiente para reducir la presión de agua en la línea de agua.
- Use una válvula de cierre de un cuarto de vuelta o una equivalente, abastecida por una línea de suministro doméstica de 1/2".

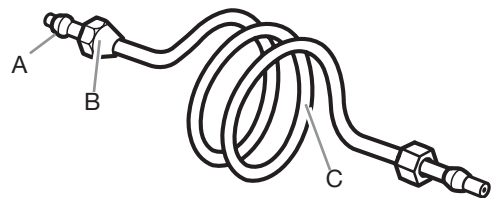
NOTA: Para que el flujo de agua al refrigerador sea suficiente, se recomienda una línea de suministro doméstica de 1/2" (12,7 mm) como mínimo.



A. Manguito
B. Tuerca

C. Tubería de cobre (al refrigerador)
D. Línea de suministro doméstica (1/2" como mínimo)

- Ahora está listo para conectar la tubería de cobre a la válvula de cierre. Use tubos de cobre de 1/4" (6,35 mm) de diámetro externo (DE) para conectar la válvula de cierre y el refrigerador.
- Asegúrese de tener la longitud adecuada necesaria para el trabajo. Asegúrese de que ambos extremos de la tubería de cobre tengan un corte recto.
- Deslice el manguito y la tuerca de compresión sobre la tubería de cobre como se muestra. Inserte el extremo de la tubería en el extremo de salida tan recto como sea posible. Atornille la tuerca de compresión al extremo de salida con una llave ajustable. No ajuste demasiado.



A. Manguito de compresión
B. Tuerca de compresión
C. Tubería de cobre

- Coloque el extremo libre de la tubería en un recipiente o un fregadero, abra el suministro principal de agua y deje correr el agua por la tubería hasta que el agua salga limpia. Cierre la válvula de cierre del tubo de agua.

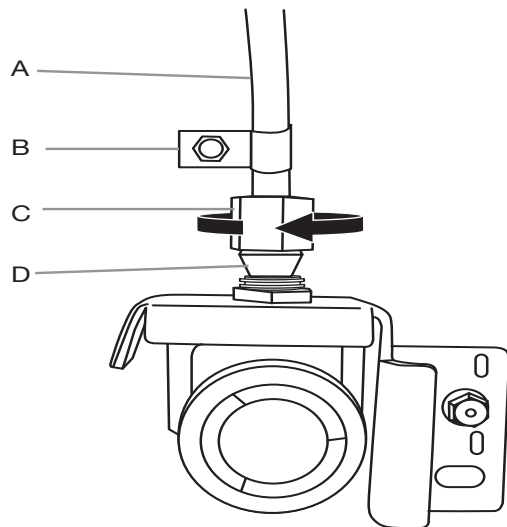
Nota: Siempre desagüe la línea de agua antes de efectuar la conexión final al orificio de entrada de la válvula de agua para evitar un probable mal funcionamiento de la válvula de agua.

8. Doble la tubería de cobre para que alcance la entrada de la línea de agua, la cual está ubicada en la parte posterior del gabinete del refrigerador, como se muestra. Deje una sección de tubería de cobre enrollada para que el refrigerador se pueda extraer del gabinete o alejar de la pared para realizar trabajos de servicio.

Cómo conectar al refrigerador

Siga las instrucciones de conexión que sean específicas para su modelo.

1. Saque la tapa de plástico del puerto de entrada de la válvula de agua. Fije el tubo de cobre a la entrada de la válvula con una tuerca y un manguito de compresión, como se muestra. Ajuste la tuerca de compresión. No ajuste demasiado. Jale la tubería de cobre para comprobar que esté firme.
2. Haga un lazo de servicio con la tubería de cobre. Evite las torceduras cuando enrolle la tubería de cobre. Asegure la tubería de cobre al panel trasero con una abrazadera "P", con el tornillo original en la ranura del panel sobre la válvula.



A. Tubería de cobre

B. Abrazadera en "P"

C. Tuerca de compresión

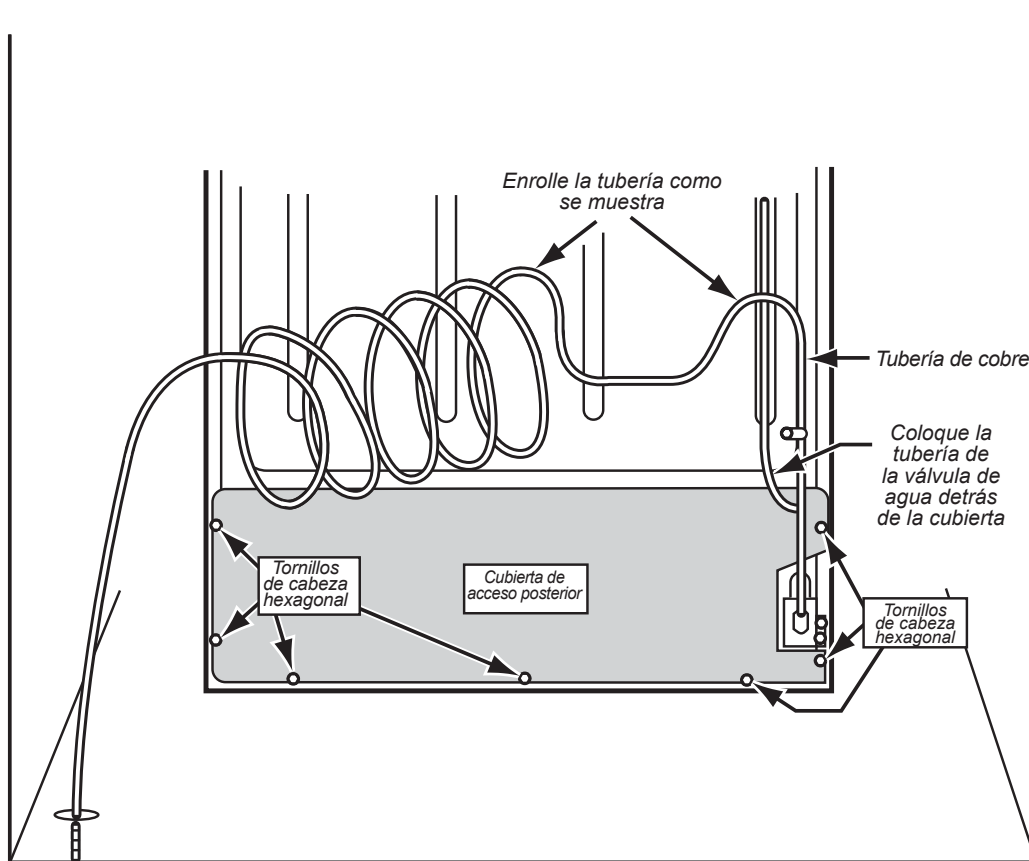
D. Manguito de compresión

3. Abra el suministro de agua al refrigerador y revise si hay fugas de agua. Corrija cualquier fuga que encuentre.

Instalación final

Para formar la tubería de cobre.

1. Enrolle la tubería de cobre que sale de la válvula de agua como se muestra. Coloque la tubería de cobre enrollada cerca del centro de la unidad, de modo que forme un “doble de acordeón” (como se muestra en el diagrama abajo) cuando se aleje o acerque a la pared.



Para formar la tubería de cobre.

Conexión del suministro eléctrico/nivelación de la unidad

⚠ ADVERTENCIA



Peligro de Choque Eléctrico

Conecte a un contacto de pared de conexión a tierra de 3 terminales.

No quite la terminal de conexión a tierra.

No use un adaptador.

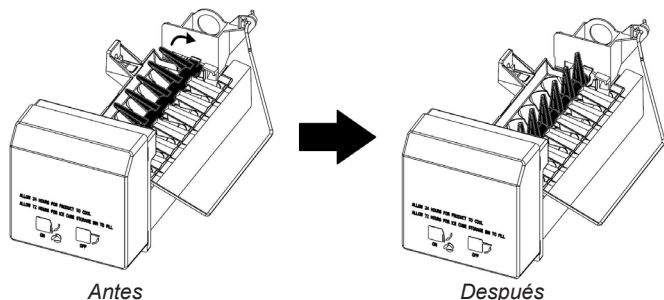
No use un cable eléctrico de extensión.

No seguir estas instrucciones puede ocasionar la muerte, incendio o choque eléctrico.

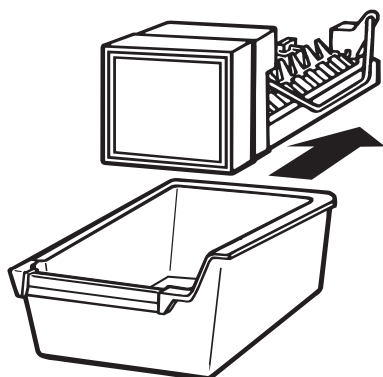
1. Enchufe el cable en el tomacorriente de CA y empuje suavemente el refrigerador hacia atrás, contra la pared.
2. Coloque un nivel encima del gabinete. Si necesita volver a nivelar el refrigerador, siga el procedimiento para ajustar las ruedas frontales, como se describe en la “Guía de usuario” de su refrigerador.
3. Verifique la posición de la fábrica de hielo. Si está torcida y necesita ajustarse, afloje el tornillo de montaje inferior y coloque la fábrica de hielo como desee, luego apriete el tornillo.

Puesta en marcha de la fábrica de hielo

- 1. IMPORTANTE:** Asegúrese de que las luces del congelador estén encendidas y que el interruptor de la puerta del congelador permanezca abierto al realizar este paso. Gire manualmente los dedos del eyector 60 grados hacia una orientación vertical. Para evitar dañar la fábrica de hielo, los dedos del eyector solo deben girarse en el sentido de las agujas del reloj (consulte la ilustración).

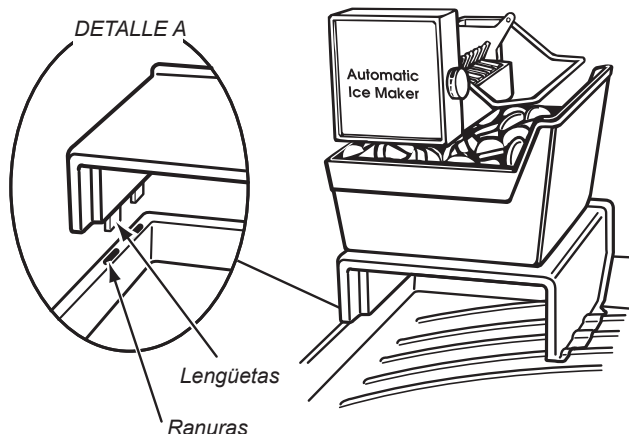


- 2.** Lave el balde para hielo y luego deslícelo debajo de la fábrica de hielo (vea la ilustración) hasta que haga tope. El balde para hielo quedará ubicado sobre el estante del congelador.

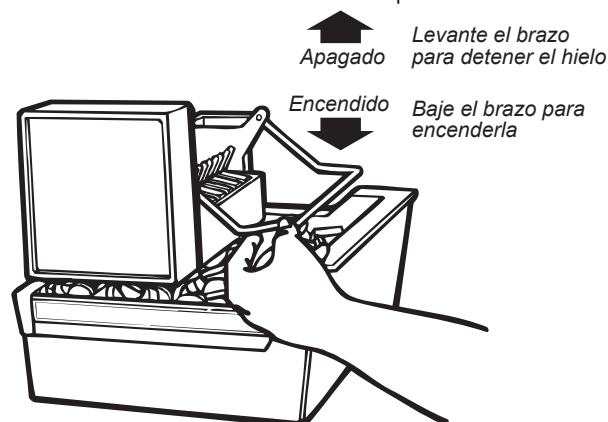


Cómo instalar el balde de hielo

IMPORTANTE: Para los modelos con congelador en la parte superior que no tengan un estante de ancho completo en el congelador, deberá colocar el balde para hielo sobre el estante de la bandeja para hielo que está invertida. Primero coloque el estante para la bandeja de hielo mirando hacia abajo, de modo que el lado más corto esté a lo largo de la pared del congelador (vea el DETALLE A). Luego inserte las lengüetas en el lado más corto del estante dentro de las ranuras que están en el borde del piso del congelador. Esto sostendrá el estante en su lugar. A continuación, coloque el balde para hielo sobre el estante de la bandeja para hielo que está invertida y deslícelo debajo de la fábrica de hielo (vea la ilustración). La fábrica de hielo no funcionará correctamente si el balde para hielo se coloca justo sobre el piso del congelador.



- 3.** Vuelva a colocar los artículos en el compartimiento del congelador.
- 4.** Baje el brazo en la fábrica de hielo (vea la ilustración) a su posición de "encendido" y cierre la puerta del congelador. La fábrica de hielo comenzará a fabricar hielo en un plazo de 24 horas.



Cómo encender la fábrica de hielo

NOTA: Por lo general la fábrica de hielo toma aproximadamente 24 horas para comenzar a producir hielo. Una vez que el hielo esté disponible, notará que no tiene buen sabor. Si esto ocurre, haga dos o tres lotes de hielo y deséchelos. Después de hacerlo, el hielo deberá tener un sabor normal. Si tiene algún problema, consulte la sección "Solución de problemas".

Con este paso se termina la instalación de su fábrica de hielo.

Solución de problemas

Notas sobre el funcionamiento

1. La válvula de agua de la fábrica de hielo incluye una arandela de flujo que funciona como regulador de presión para controlar el flujo de agua. Para que la fábrica de hielo funcione bien, la presión del agua de su hogar debe ser entre 20 y 120 libras por pulgada cuadrada (psi). Si la fábrica de hielo presenta problemas para producir hielo, llame a su compañía de agua y solicite que se revise la presión del agua.
2. La válvula de agua de la fábrica de hielo incluye dos filtros: uno tipo canasta de plástico y uno con malla de alambre. Para limpiarlos, cierre el agua y desensamble la válvula de agua (su centro de servicio técnico debe poder proveer este servicio). Si las condiciones del agua local requieren que se realice una limpieza periódica, o si usted utiliza un pozo como fuente de agua, deberá considerar instalar un segundo filtro de agua en la línea de agua. Puede solicitar un filtro de agua a su distribuidor de electrodomésticos de su localidad.

Cuadro de solución de problemas

El siguiente cuadro muestra varios problemas comunes que podrían ocurrir con su fábrica de hielo.

PROBLEMA	CAUSA
Se escucha uno o más de los siguientes sonidos: <ul style="list-style-type: none">■ Zumbido■ Agua goteando■ Ruido sordo (traqueteo de hielo)	Está funcionando la válvula de agua. El agua está entrando al recipiente de llenado de la fábrica de hielo. Se está descargando hielo dentro del depósito de hielo.
El hielo no sabe fresco.	El hielo es viejo. Haga un nuevo lote.
El agua en la fábrica de hielo se desborda.	El refrigerador o la fábrica de hielo no están nivelados. Si la fábrica de hielo sigue desbordándose después de nivelar, cierre el suministro de agua de la fábrica de hielo en la válvula de cierre y levante el brazo de sujeción de la fábrica de hielo a la posición de apagado; luego comuníquese con su centro de servicio local.
No hay suficiente hielo.	El balde para hielo demorará 72 horas en llenarse. La fábrica de hielo producirá hielo cada 2 a 3 horas. Para producir más hielo, regule el control del congelador a un ajuste más frío.
Se ha detenido la producción de hielo.	Asegúrese de haber bajado el brazo de alambre dentro del balde. Asegúrese de que esté abierta la válvula de cierre del agua. La válvula de cierre del agua o el filtro de la válvula de agua está obstruido (póngase en contacto con su centro de servicio local).

NOTES

NOTES

NOTES

NOTES

NOTES
