

REF31BMFX

31 INCH FREESTANDING BOTTOM MOUNT REFRIGERATOR



Energy star

Surround Cooling System - Optimized airflow design with multiple vents on every shelf level for even temperature throughout entire refrigerator

Total No-Frost system: automated defrosting of evaporator ensures food stays always fresh

Extra-large freezer drawer to store larger items and make best use of freezer space.

Fast freeze - 2 air vents in top freezer drawer accelerate temperature drop, helping lock vitamins and maintain flavors.

Gallon-sized door rack

Electronic LED touch interface

LED lighting

Flat front stainless steel doors with no-fingerprint surface treatment

Reversible doors for left or right swing configuration

Choose Professional or Master Series handle kit to match your other Bertazzoni kitchen appliances

2 year parts & labor warranty

PRODUCT FEATURES

Refrigerator type	Built-in refrigerator column
Door finish	Stainless steel
Interior finish	Plastic white
User interface	Interior LED touch interface (on the top of fridge cabinet)
Lighting	LED on the top
Shelves	3
Crispers	1 large size with adjustable humidity and center divider
Door storage	2 full width racks + 4 half width racks
Cooling system	Total no frost
Modes	Super cool, Super freeze, Holiday mode

INTERIOR CAPACITY

Total volume	17.1 cu.ft
--------------	------------

TECHNICAL SPECIFICATIONS

Electrical supply	115 V 60 HZ - 120 W 1,5A Amp
Power connection	USA with 79" power cord
DOE Compliant	Yes
Energy star	Yes
Energy consumption	451.0 kWh/yr
Certification	UL
Warranty	2 years parts & labor Sealed system: 5 years labor
Packaging dimensions and weight	W 33 1/8" H 70 1/2" D 28 1/2" 219.16 lbs

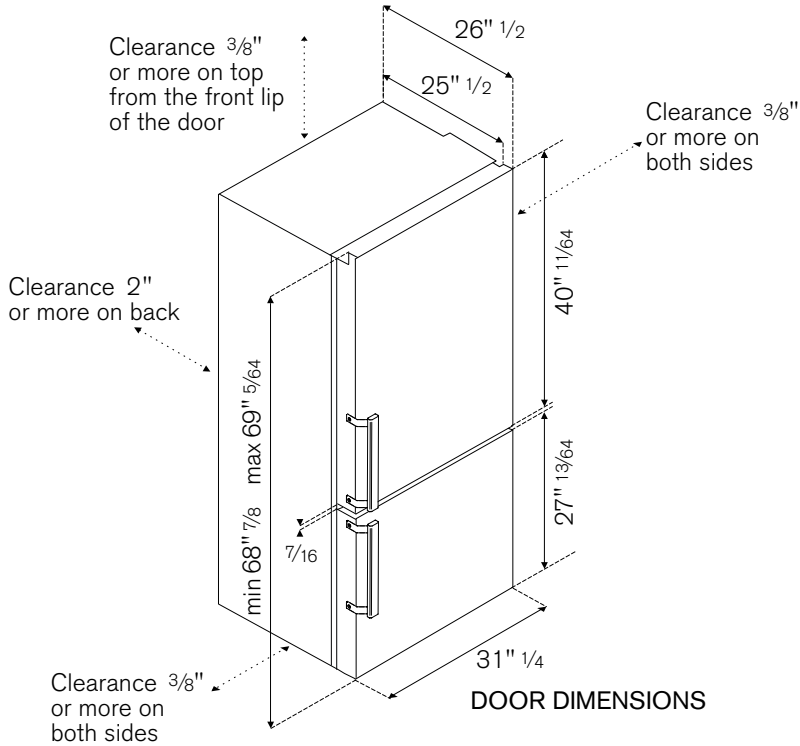
OPTIONAL ACCESSORIES

MASHK24BM	Handle kit for 24" & 31" bottom mount refrigerator - Master Series
PROHK24BM	Handle kit for 24" & 31" bottom mount refrigerator - Professional Series

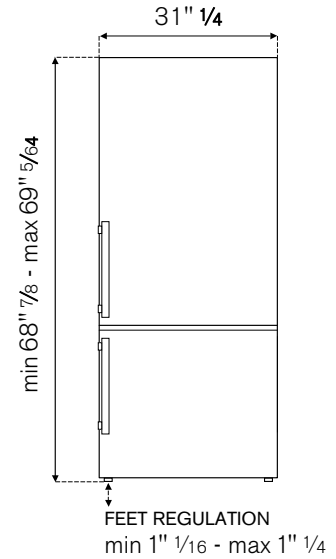


REF31BMFX

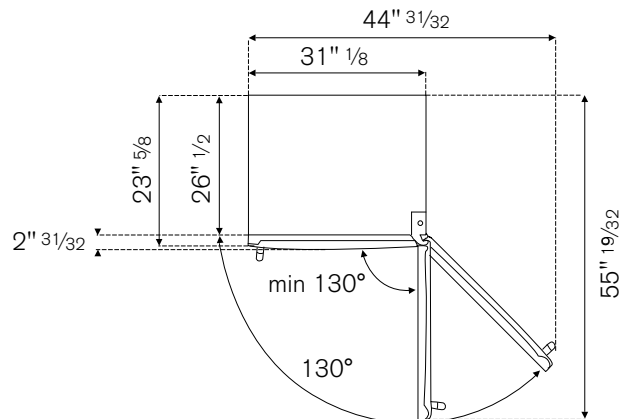
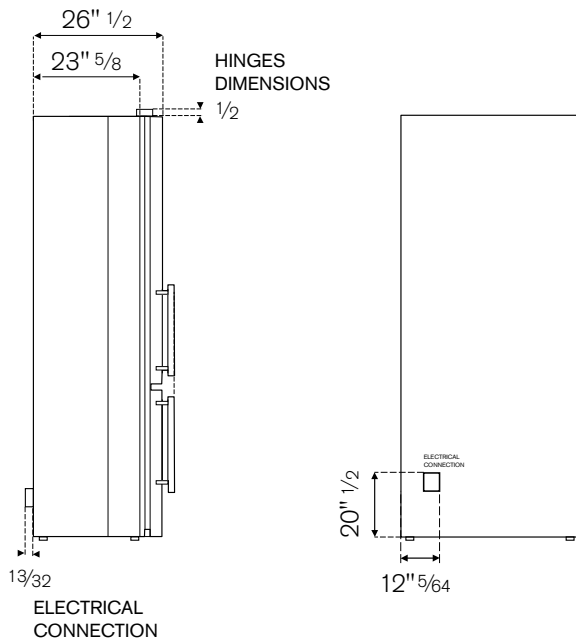
31 INCH FREESTANDING BOTTOM MOUNT REFRIGERATOR



FRIDGE DIMENSIONS



FRIDGE DIMENSIONS



A separate circuit breaker servicing only this appliance is recommended.

For installation of multiple products in combination, refer to the Built-in Food Preservation Design Guide at us.bertazzoni.com or ca.bertazzoni.com

Disclaimer: while every effort has been made to ensure the accuracy of the information contained in this document, Fratelli Bertazzoni reserves the right to change it at any time without notice. For detailed installation instructions, consult the installation manual. Fratelli Bertazzoni, Bertazzoni and the winged wheel brand icon are registered trademarks of Bertazzoni Spa.