

Examine all packaging material for small parts that may have come loose during shipment. Periodic checks are recommended to insure that all components are in proper position, tight and free from damage. Keep this assembly instruction for future reference. Adult assembly is required. Customer Service Phone Number: 502-562-0000

PARTS LIST

- A (1) Headboard Panel
- B (1) Footboard Panel
- C (2) Leg Extensions

HARDWARE LIST

- E (4) Long Allen Bolts
- F (4) Short Allen Bolts
- G (8) Metal Washers
- H (8) Spring Washers
- K (4) Hex Nuts
- L (1) Allen Wrench

Figure 1

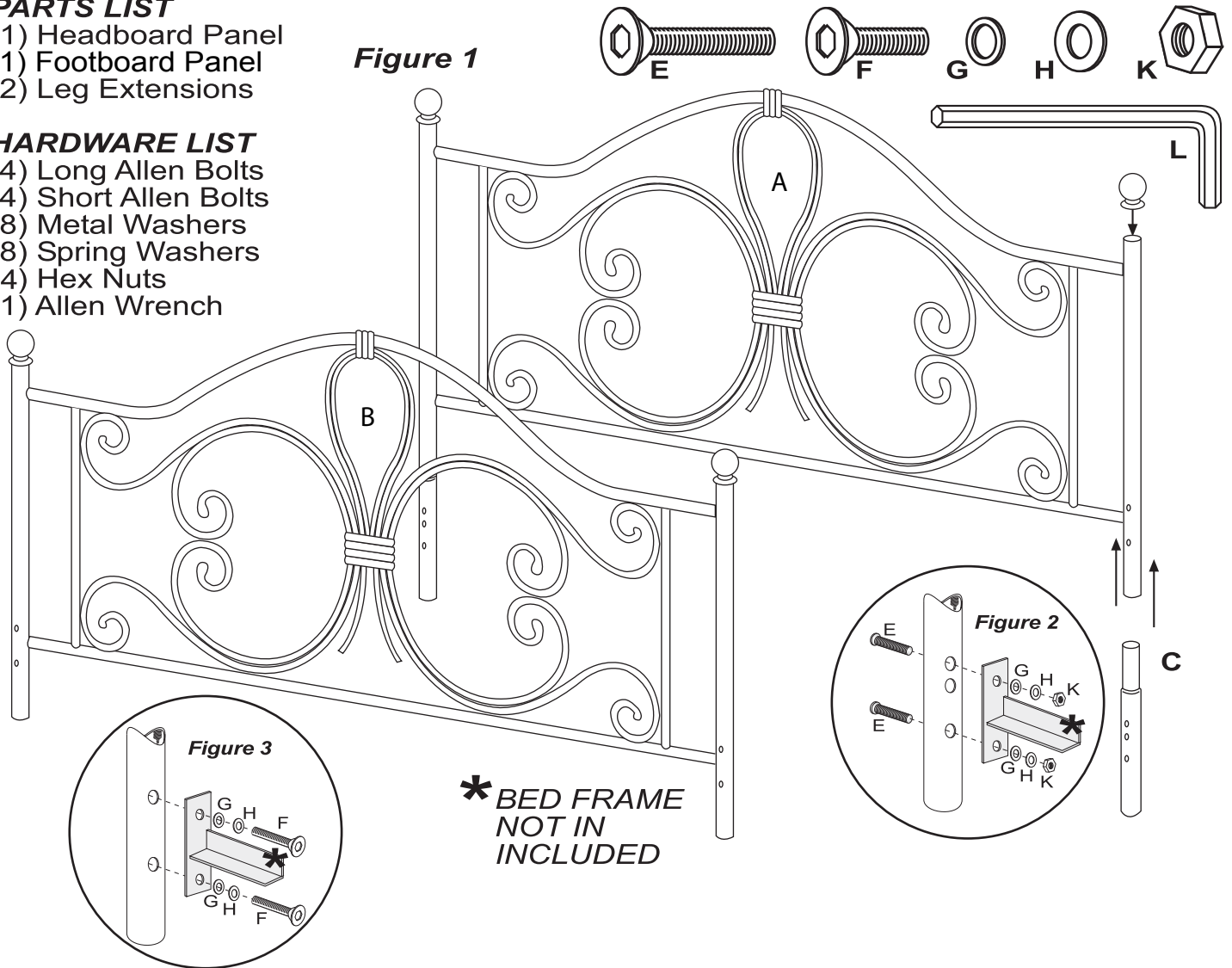


Figure 3

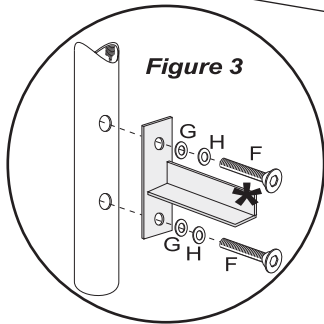
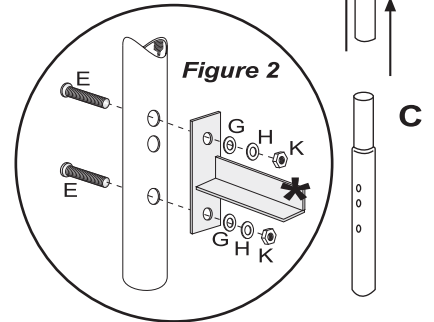


Figure 2



STEP 1

Insert both Leg Extensions (C) into bottom of Headboard Grill (A). See Figure 1.

STEP 2

Attach Bed Frame (*Not Included) to each Leg Extension (C) using 2 Long Allen Bolts (E) from the back side, 2 Metal Washers (G), 2 Spring Washers (H) & 2 Hex Nuts (K) per each post & leg extension. **See Figure 2.** Tighten all bolts only using Allen Wrench (L) that has been provided.

STEP 3

Attach Bed Frame (*Not Included) to each post on Footboard Grill (B) using 2 Short Allen Bolts (F) from the back side, 2 Spring Washers (H) & 2 Metal Washers (G) per each post. **See Figure 3.** Tighten all bolts only using Allen Wrench (L) that has been provided. Assembly is now complete.