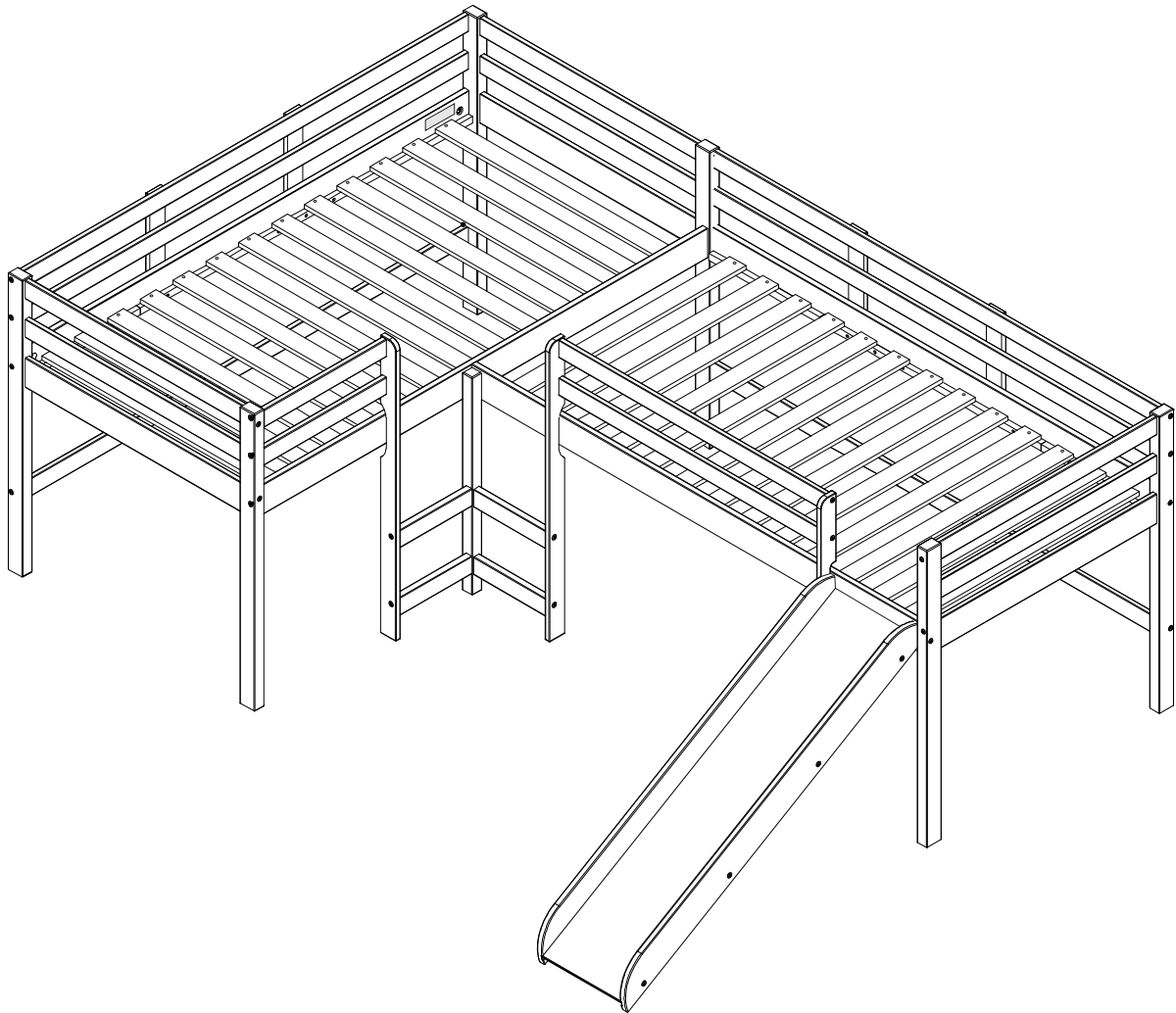


Fort Worth, Texas 76140

ASSEMBLY INSTRUCTIONS

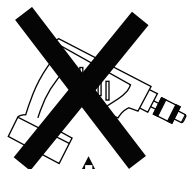
7600 DOUBLE TWIN LOFT



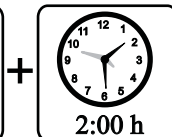
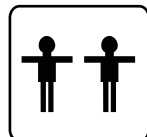
Thank you for purchasing this quality product. Be sure to check all packing material carefully for small parts which may have come loose inside the carton during shipment. Separate, identify and count all parts and hardware.

Compare with the parts list to be sure all parts are present.

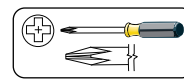
"DO NOT TIGHTEN SCREWS UNTIL COMPLETELY ASSEMBLED"



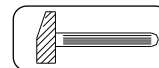
* Use of power tool to assemble this product will invalidate any claim and damage this product making unsafe !!!
* Please assemble on a clean soft surface to avoid damage.



Tools Required



(Not included)



(Not included)

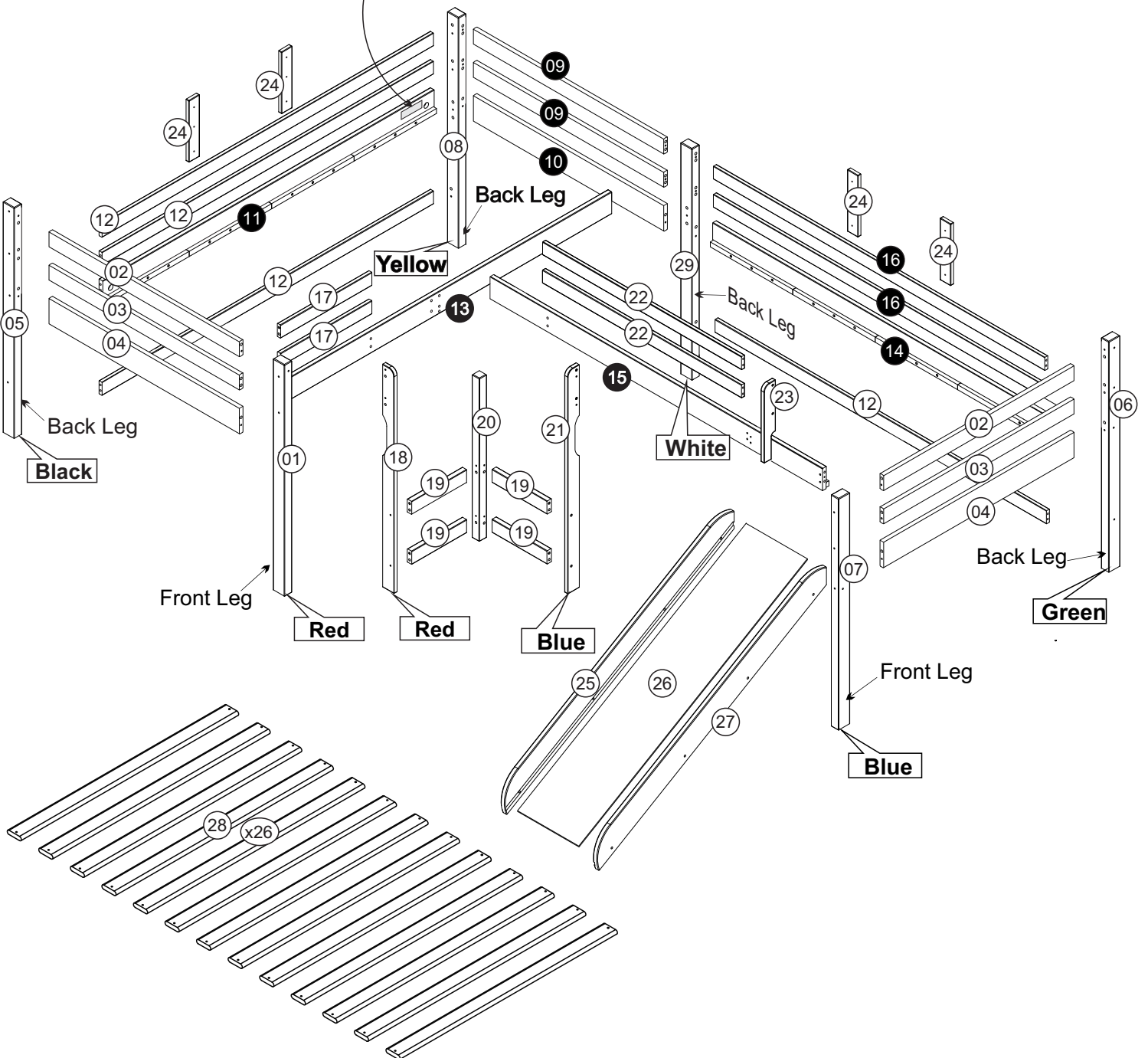
IMPORTANT :

PLEASE READ INSTRUCTION BEFORE STARTING THE ASSEMBLY

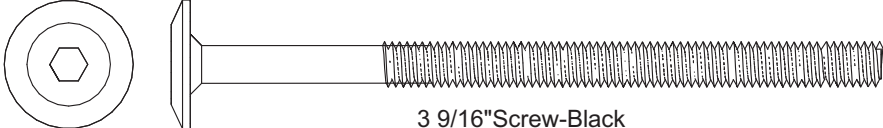
Part List - 7600 DOUBLE TWIN LOFT

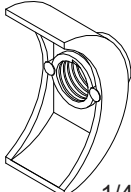


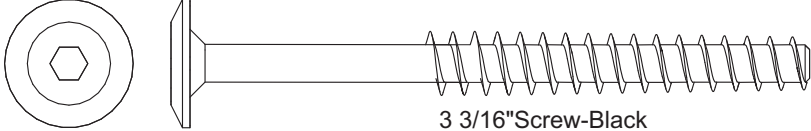
**MANUFACTURER LABEL
DO NOT REMOVE!**

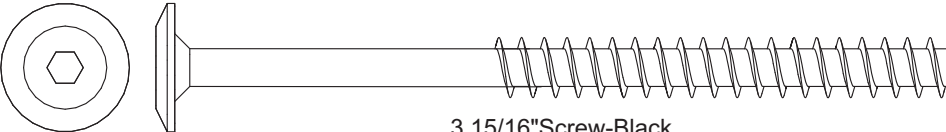


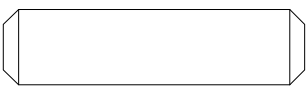
Identifying the Hardware - Identify the hardware using the illustrations below.

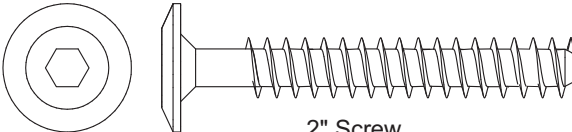
A  Qty **07**
3 9/16" Screw-Black

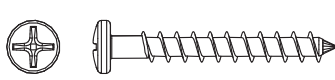
B  Qty **07**
1/4" Half Moon

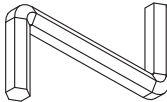
C  Qty **15**
3 3/16" Screw-Black


D  Qty **12**
3 15/16" Screw-Black

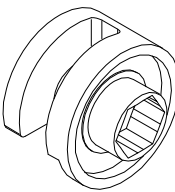
E  Qty **71**
1 9/16" Wood Dowel

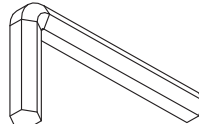
F  Qty **30**
2" Screw

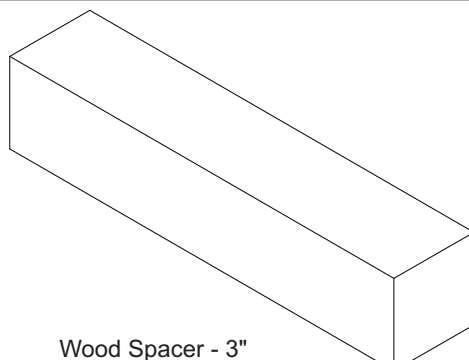
G  Qty **64**
1 3/16" Screw-Black

H  Qty **01**
Hex Screwdriver 1/8"

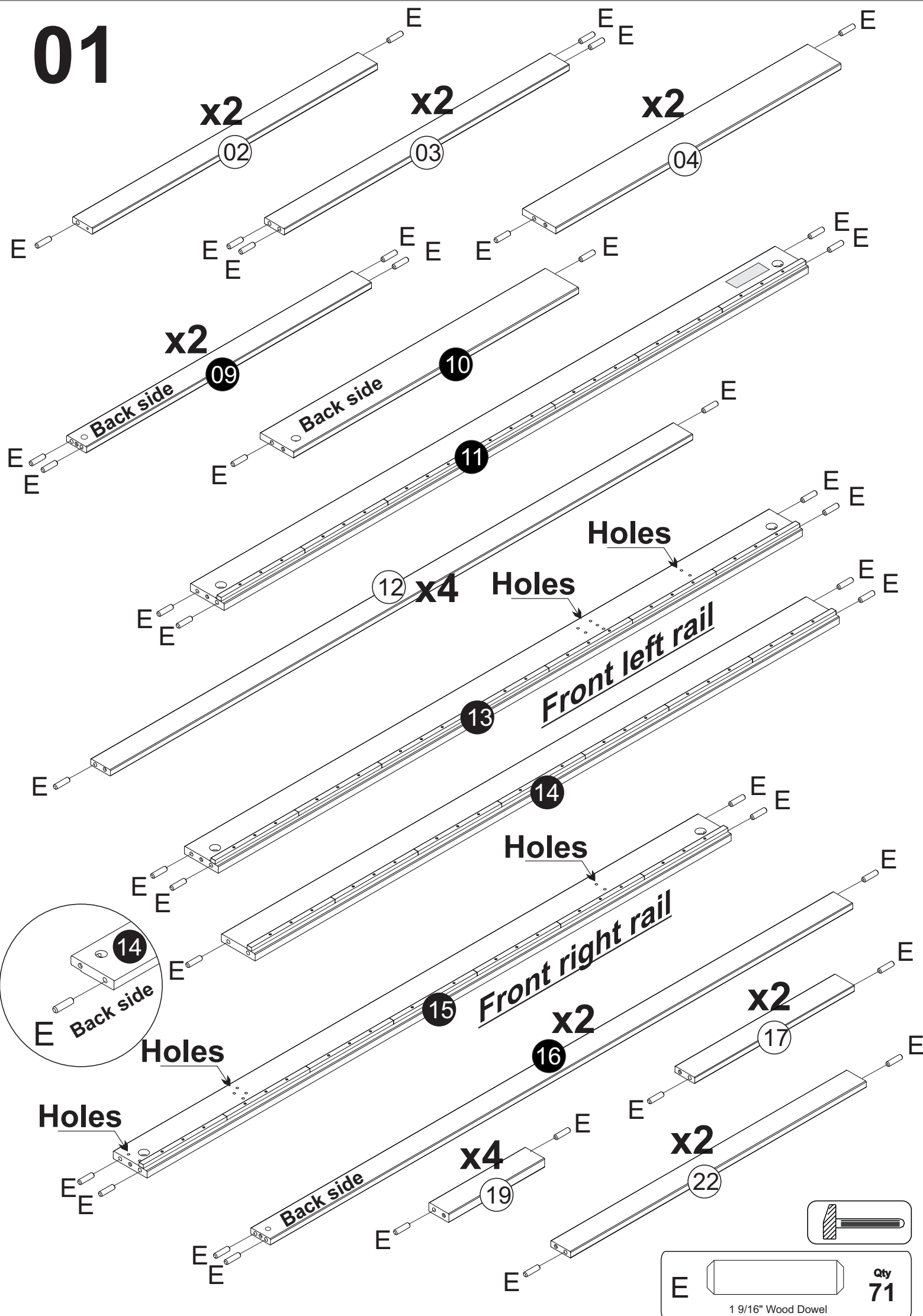
I  Qty **03**
5 1/8" Screw

J  Qty **06**

K  Qty **01**
Hex Screwdriver 1/4"

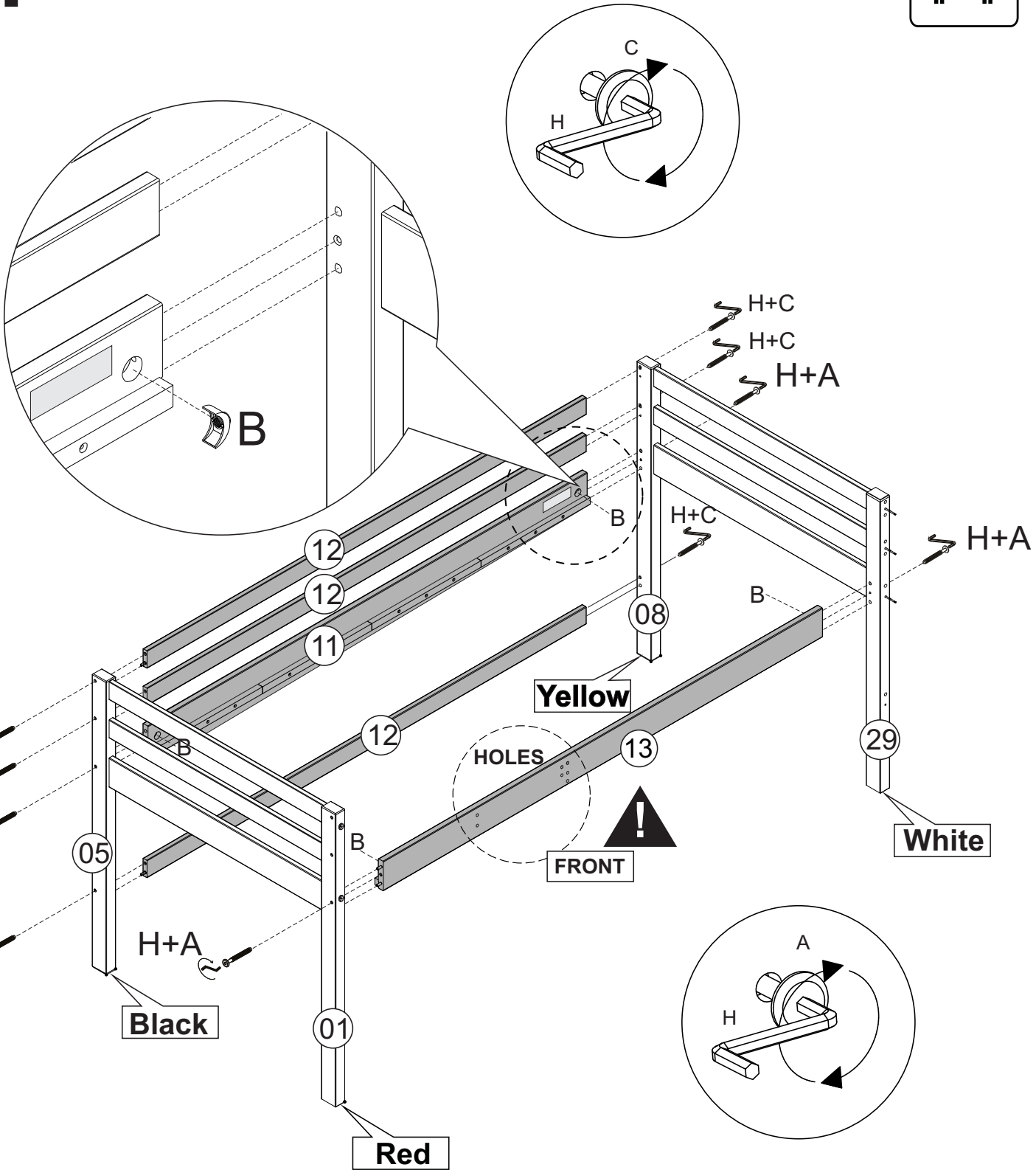
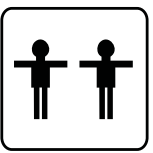
L  Qty **02**
Wood Spacer - 3"

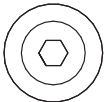
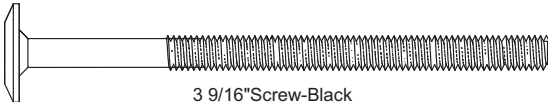
01

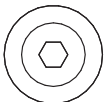
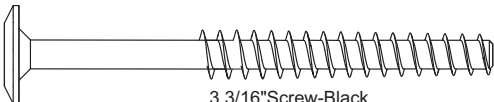


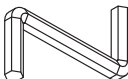
04

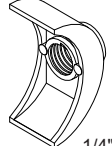
LEFT BED



A   **Qty 04**
3 9/16" Screw-Black

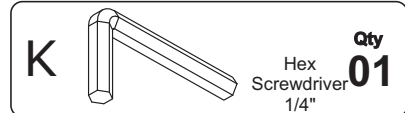
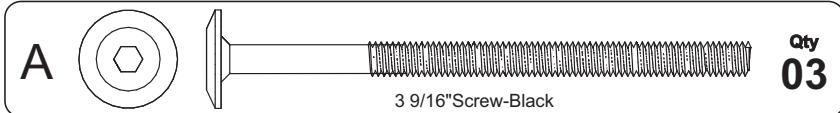
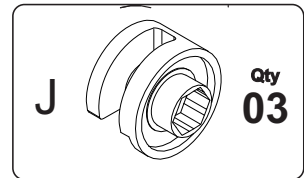
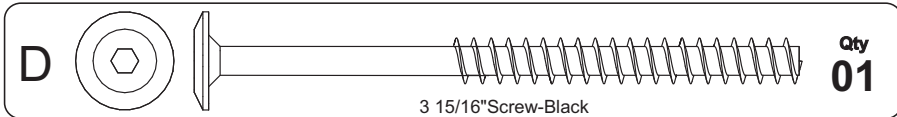
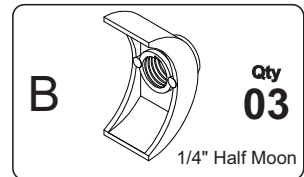
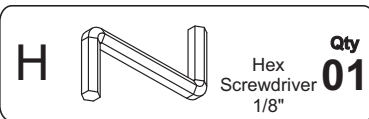
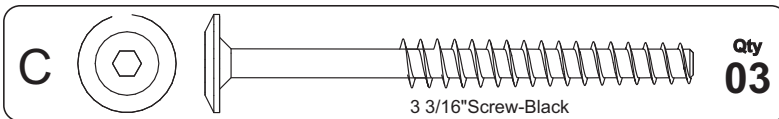
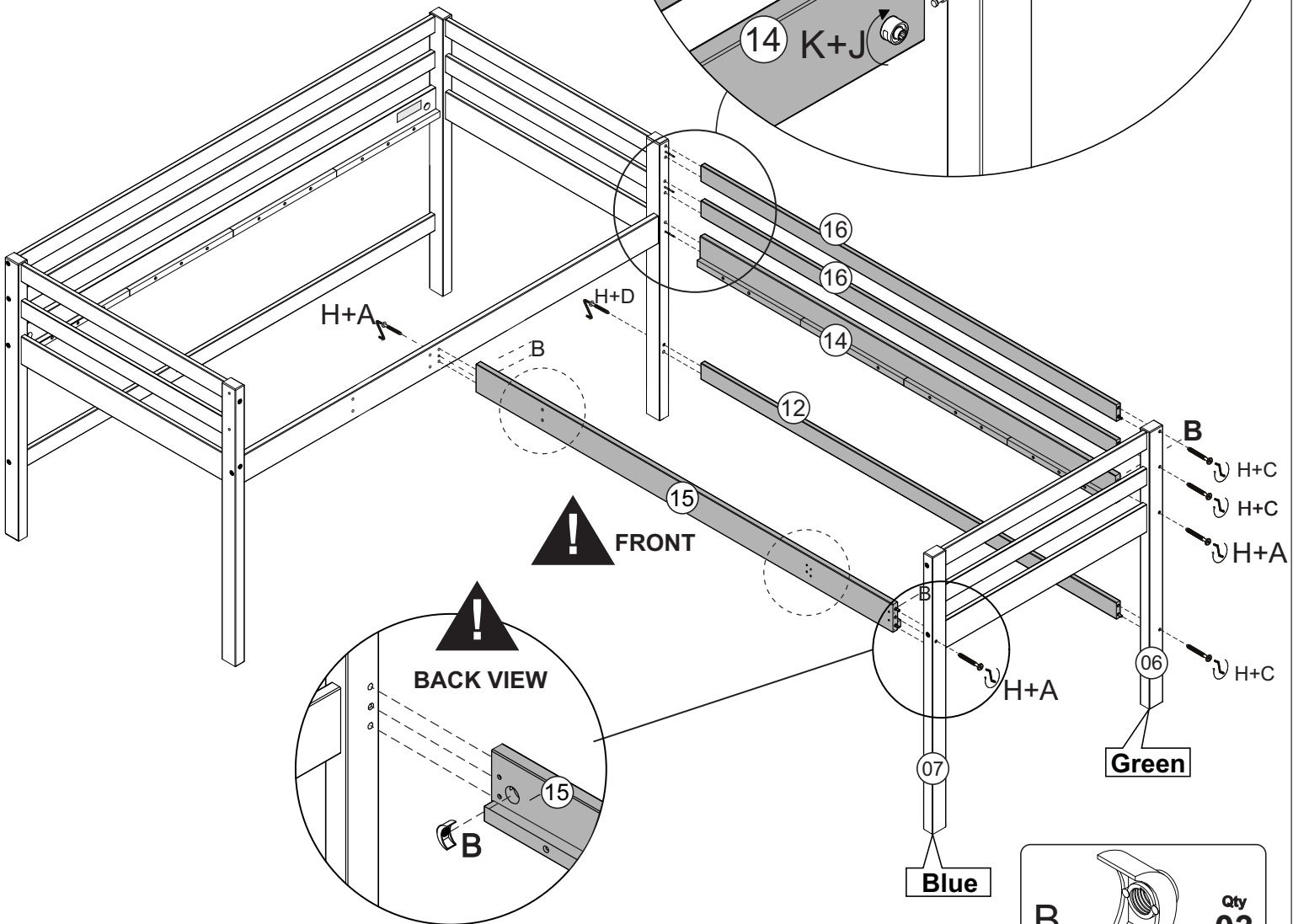
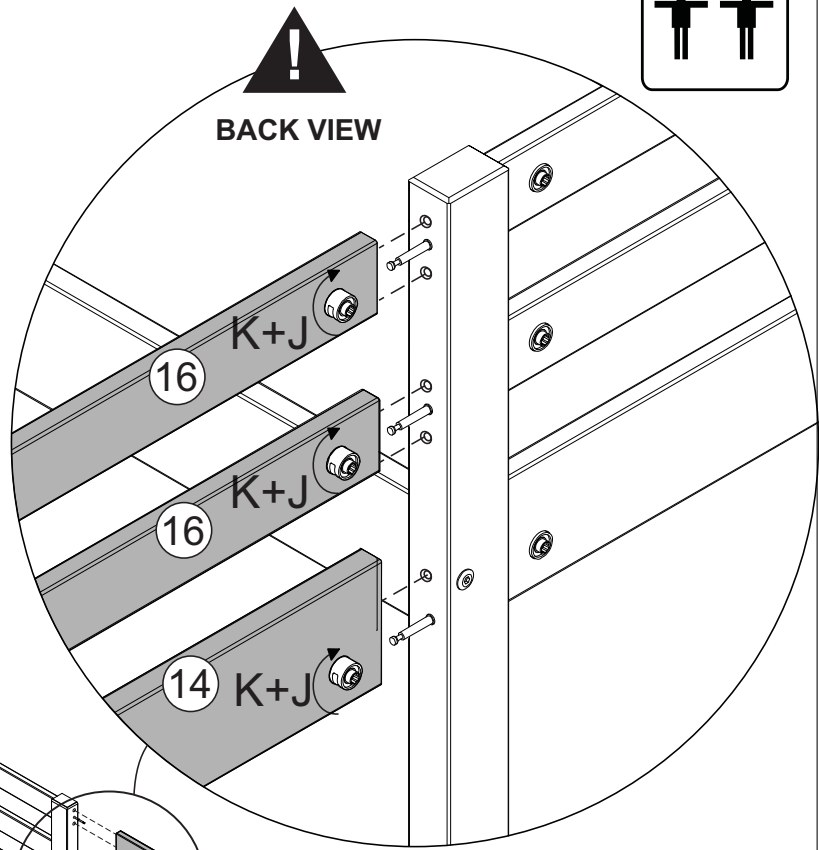
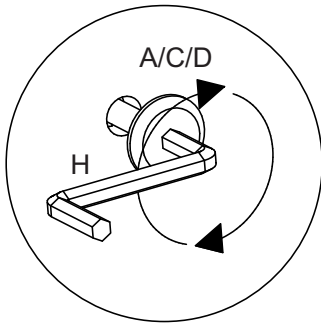
C   **Qty 06**
3 3/16" Screw-Black

H  **Qty 01**
Hex Screwdriver 1/8"

B  **Qty 04**
1/4" Half Moon

05

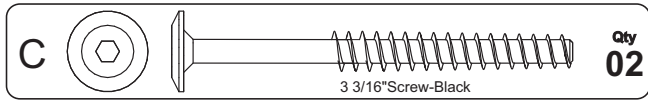
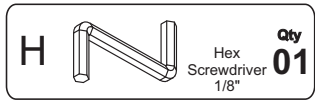
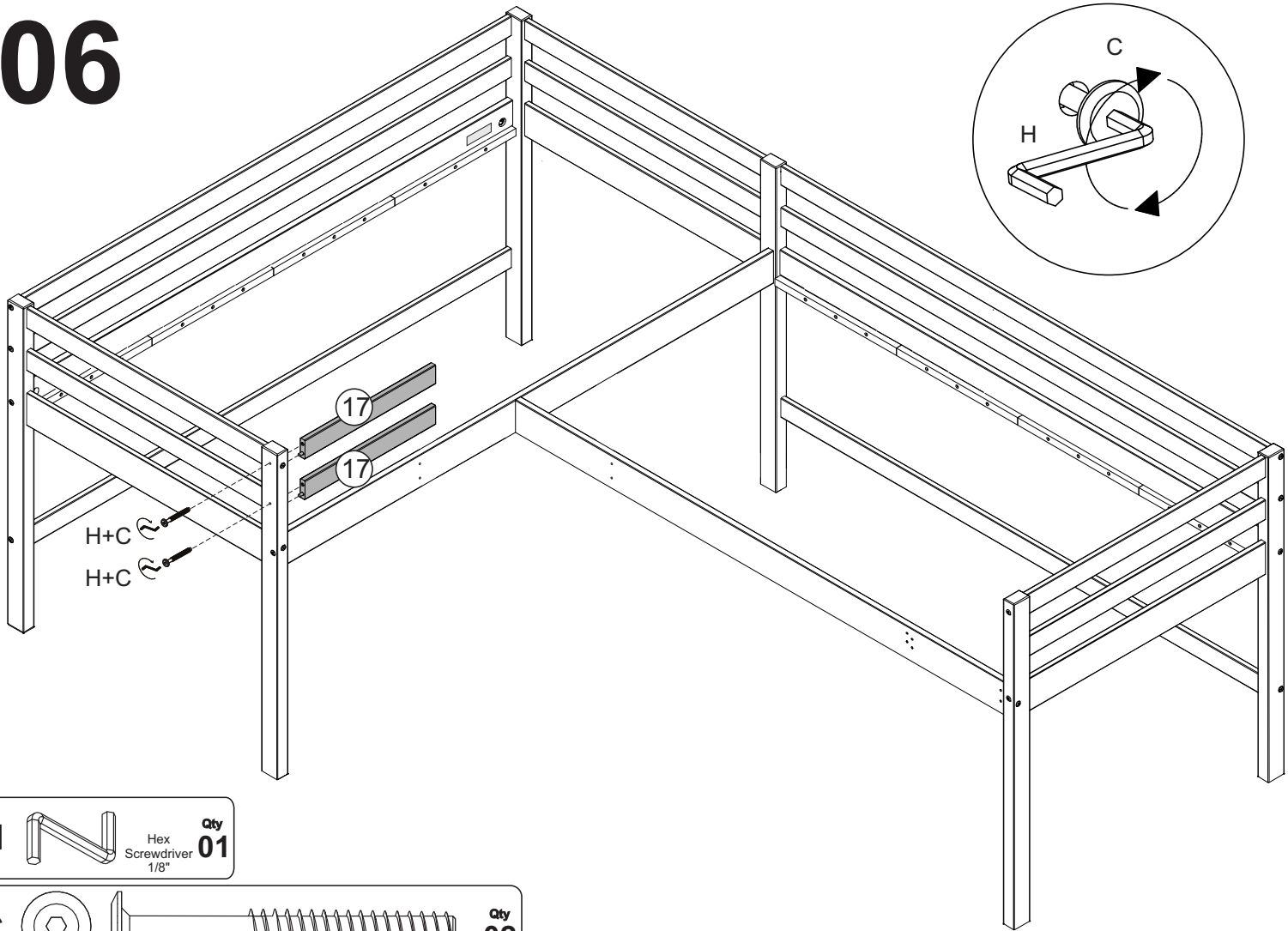
RIGHT BED



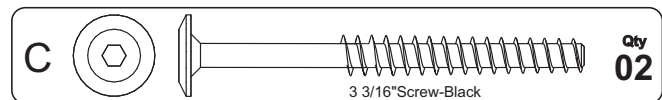
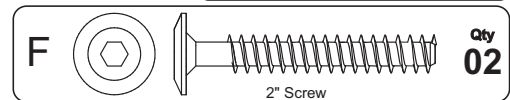
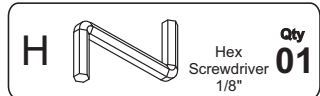
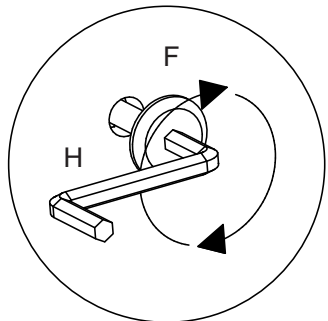
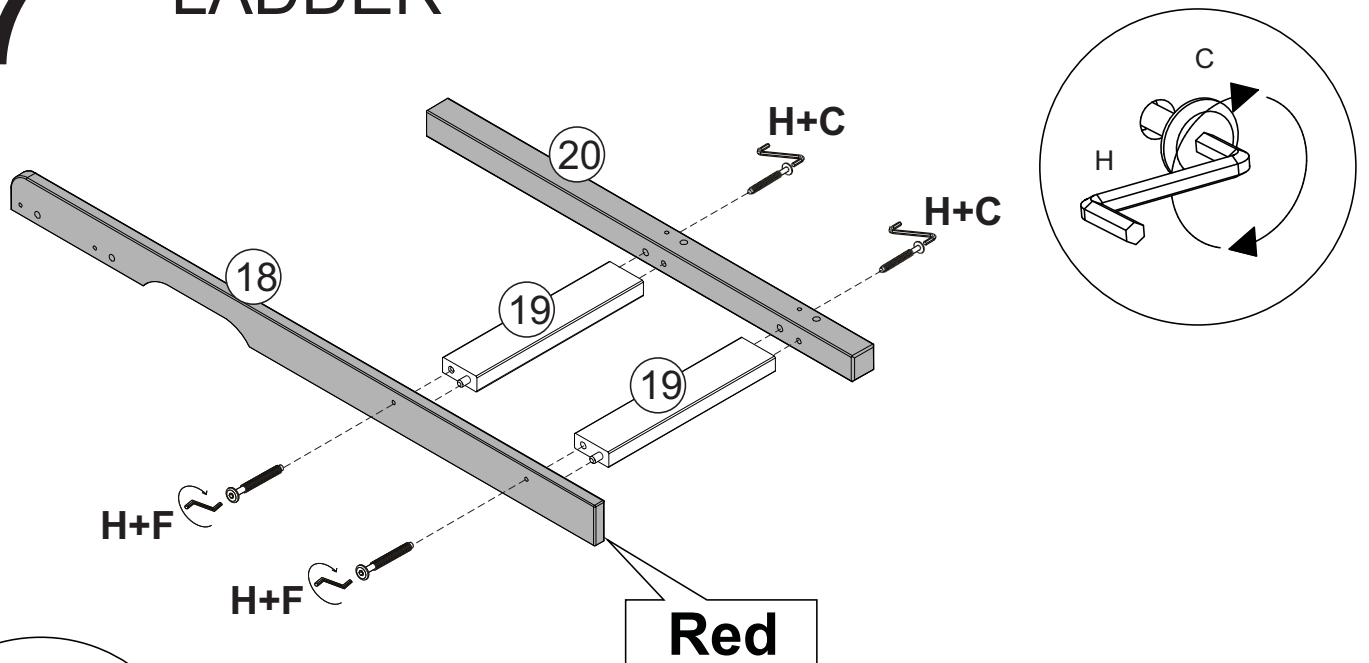
Blue

Green

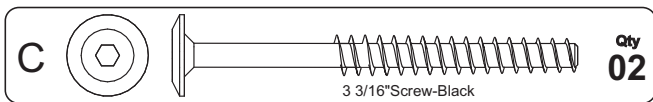
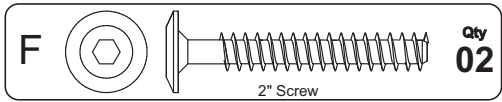
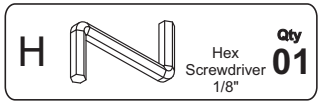
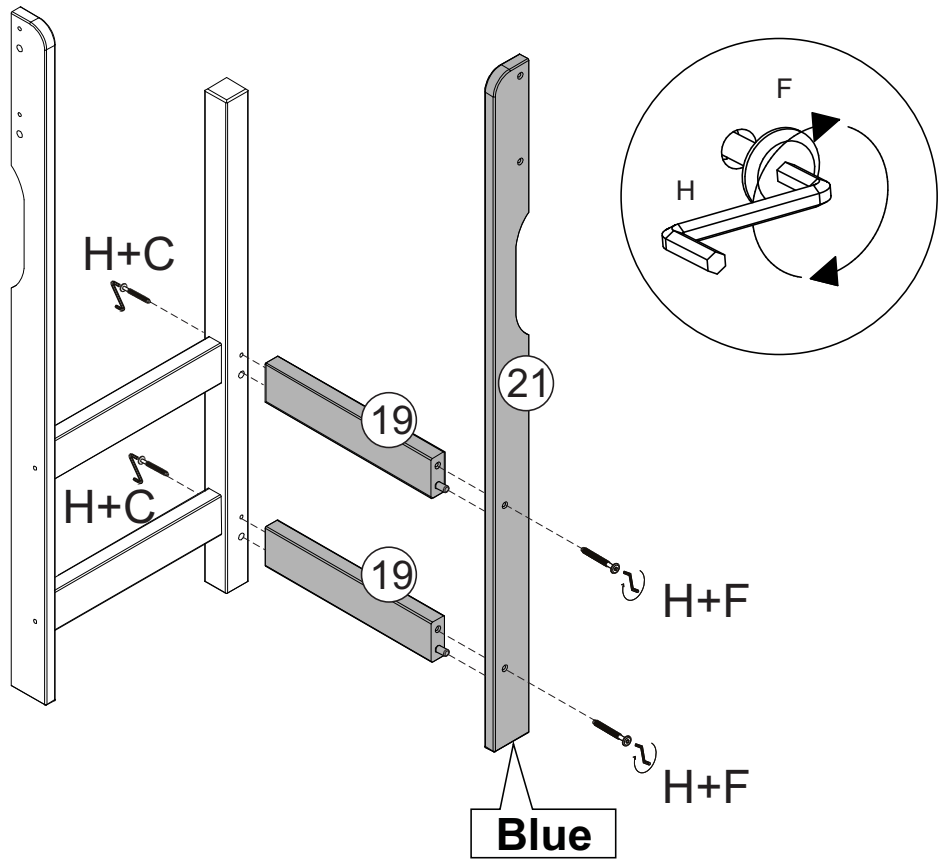
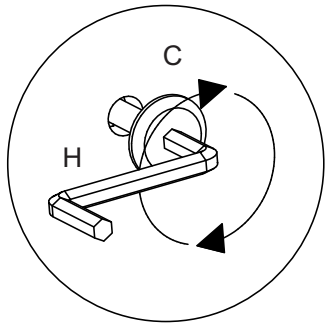
06



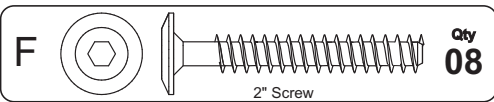
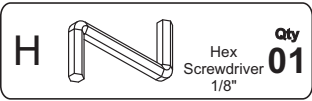
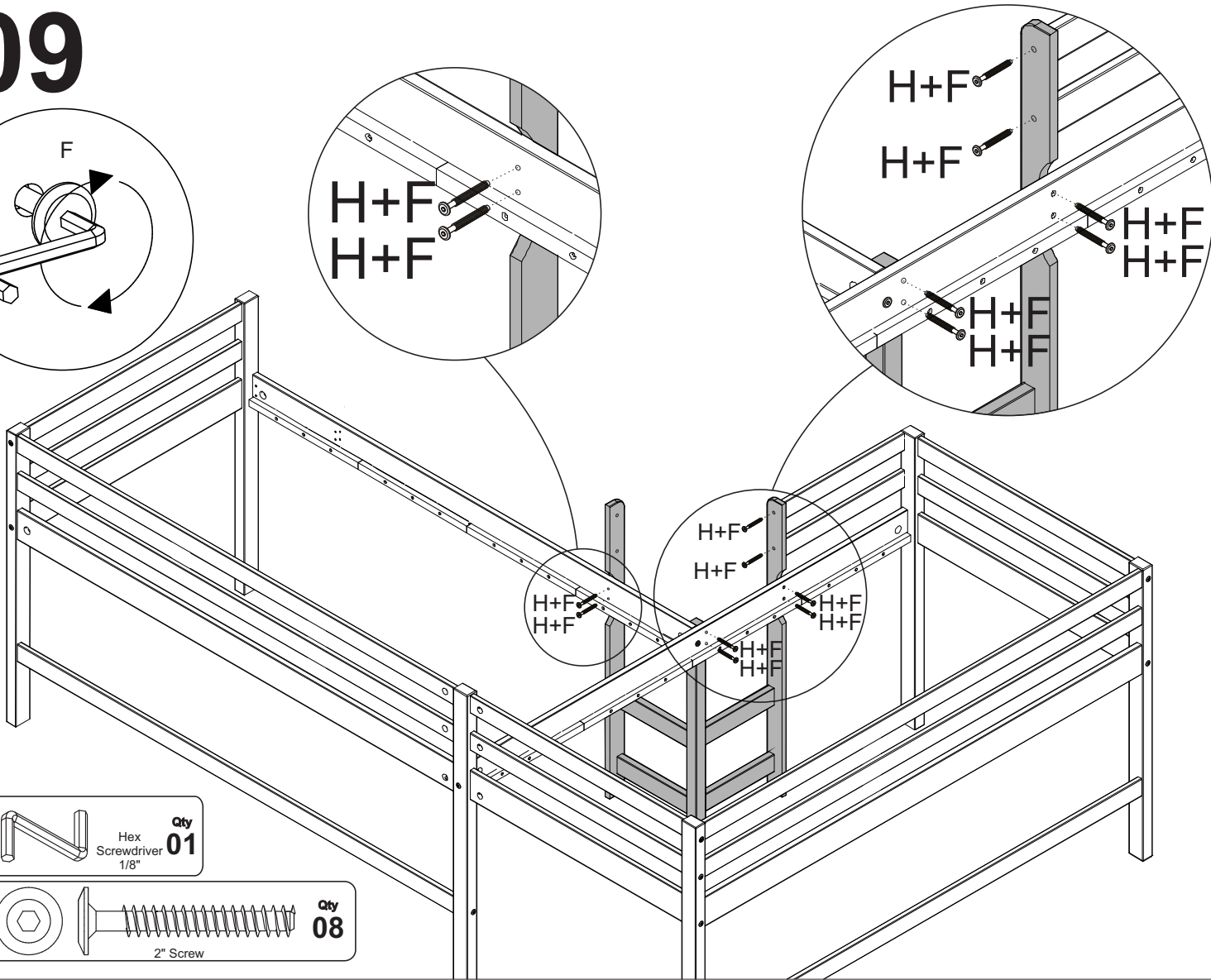
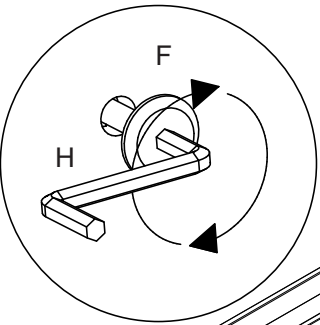
07 LADDER



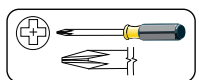
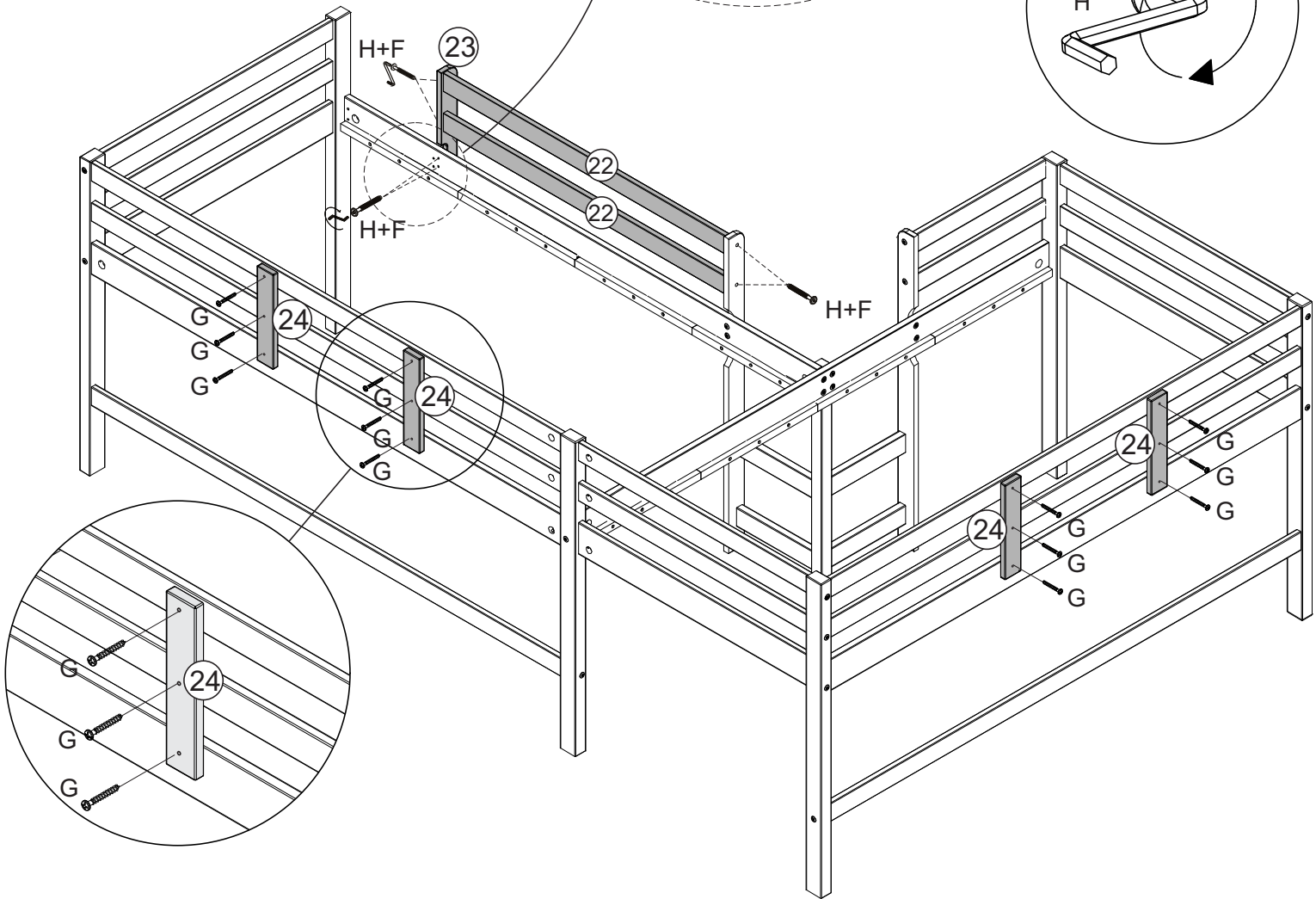
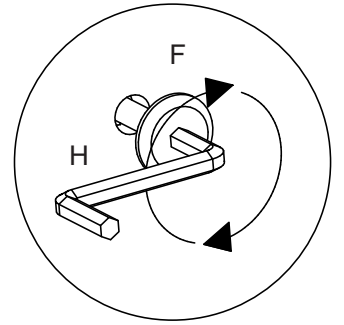
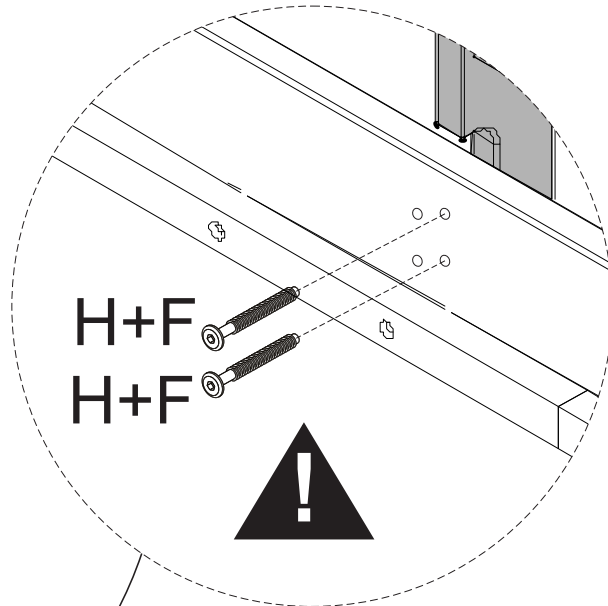
08



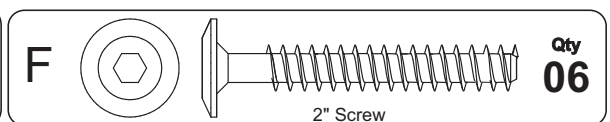
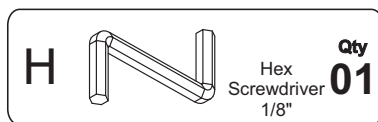
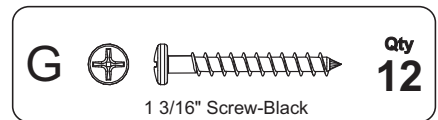
09



10

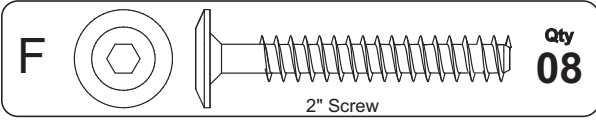
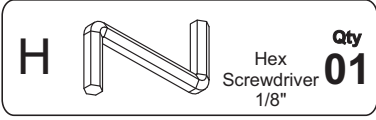
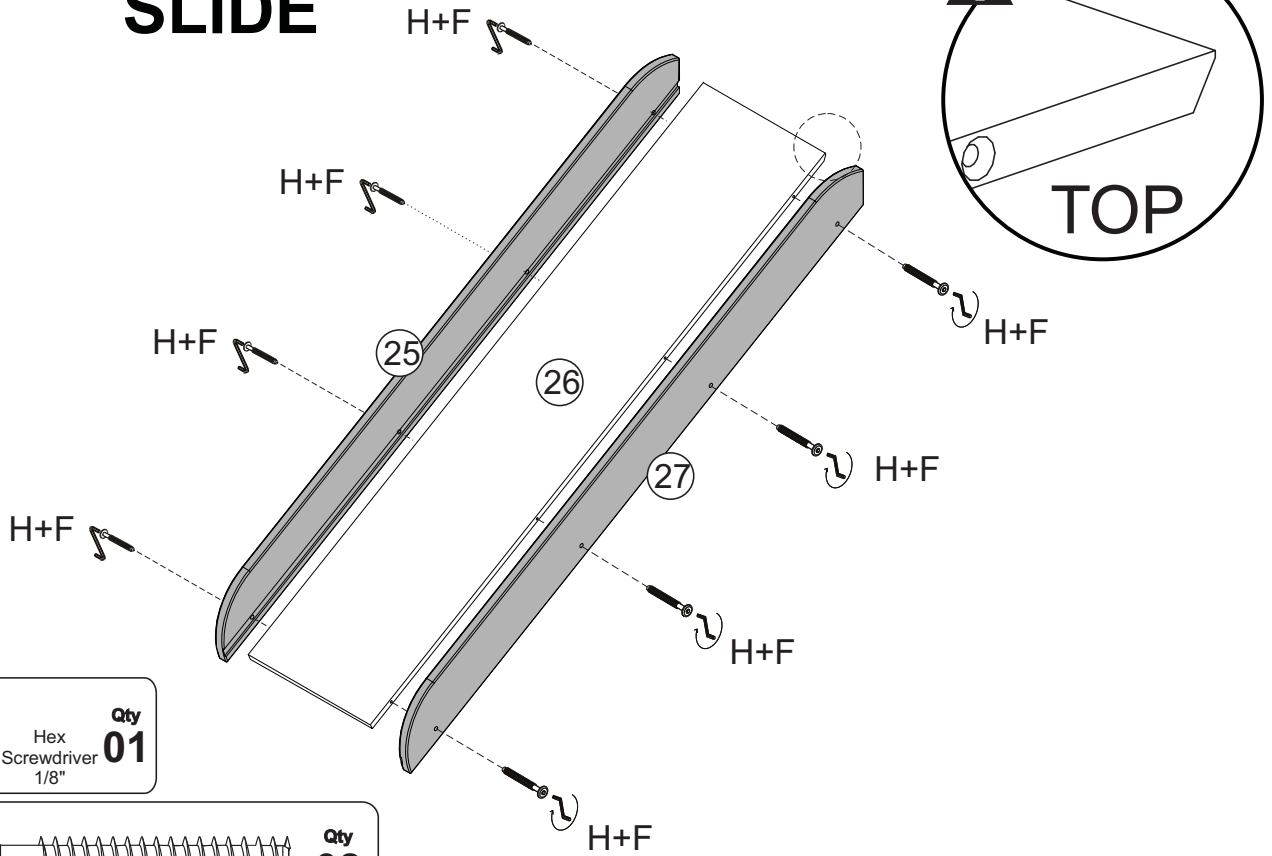


(Not included)

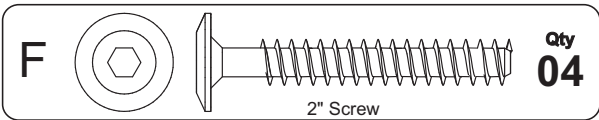
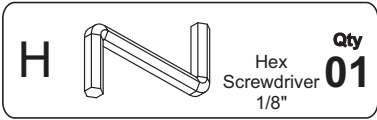
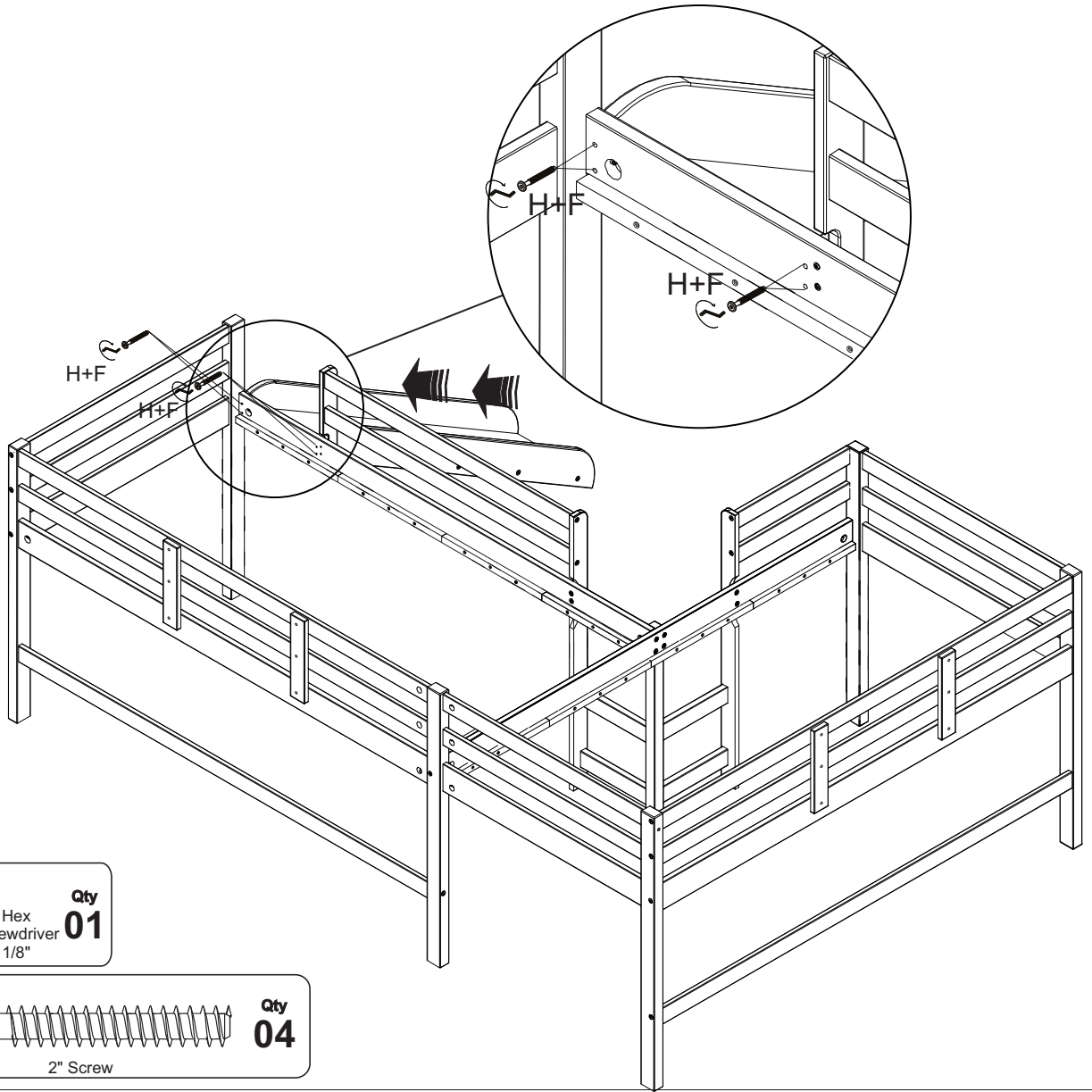


11

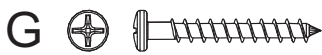
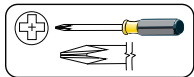
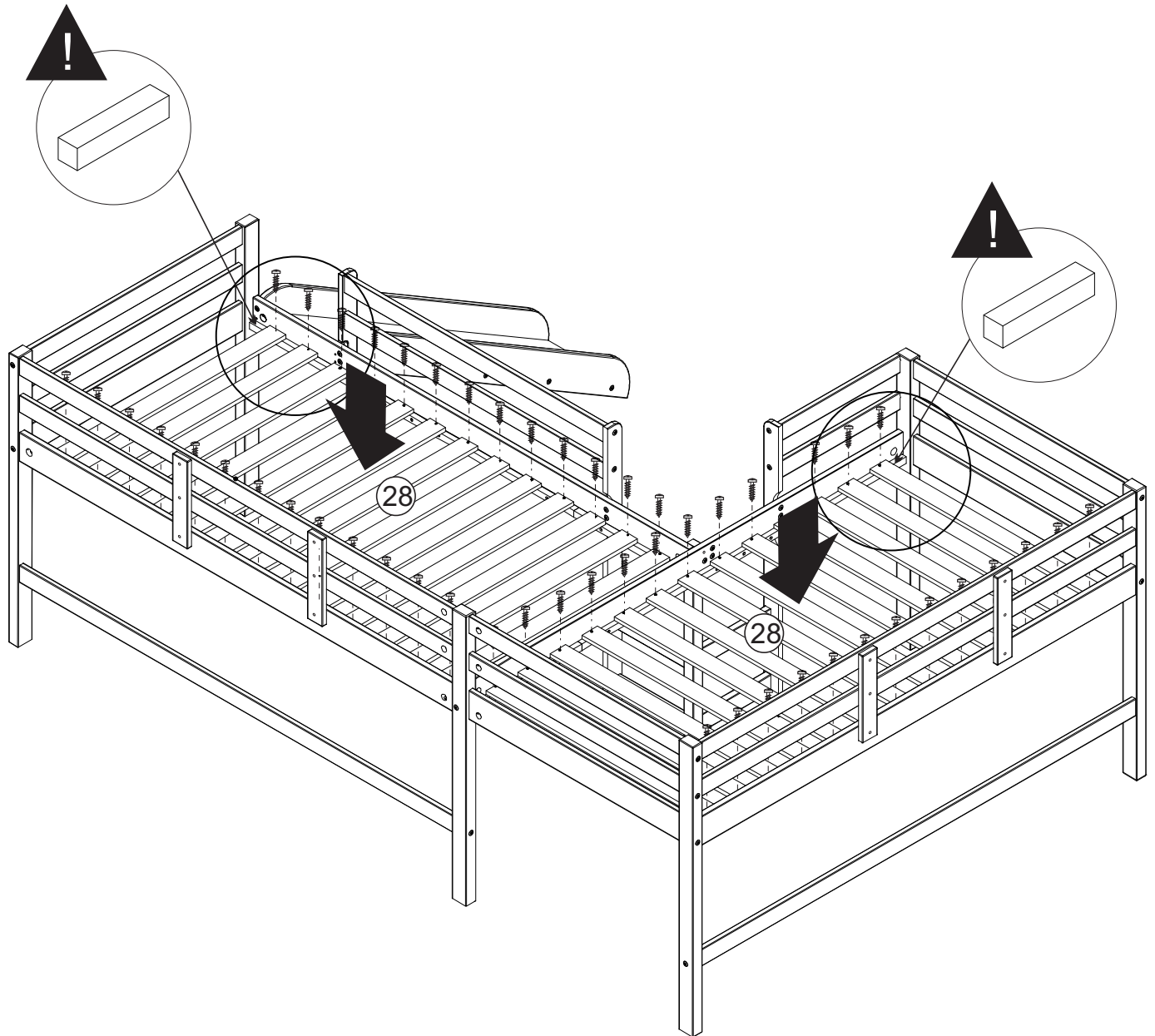
SLIDE



12



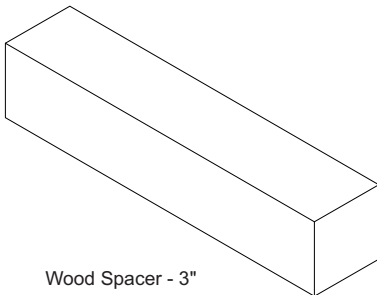
13



Qty 52

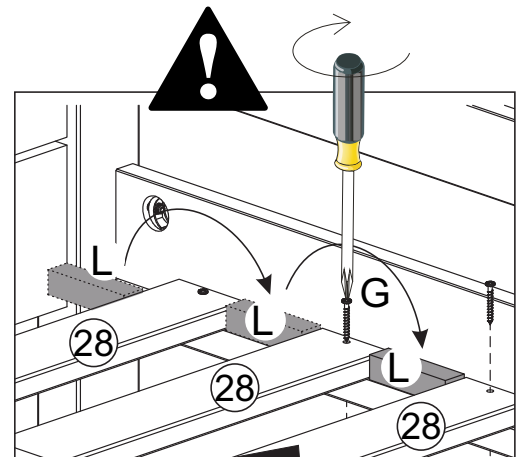
1 3/16" Screw-Black

L



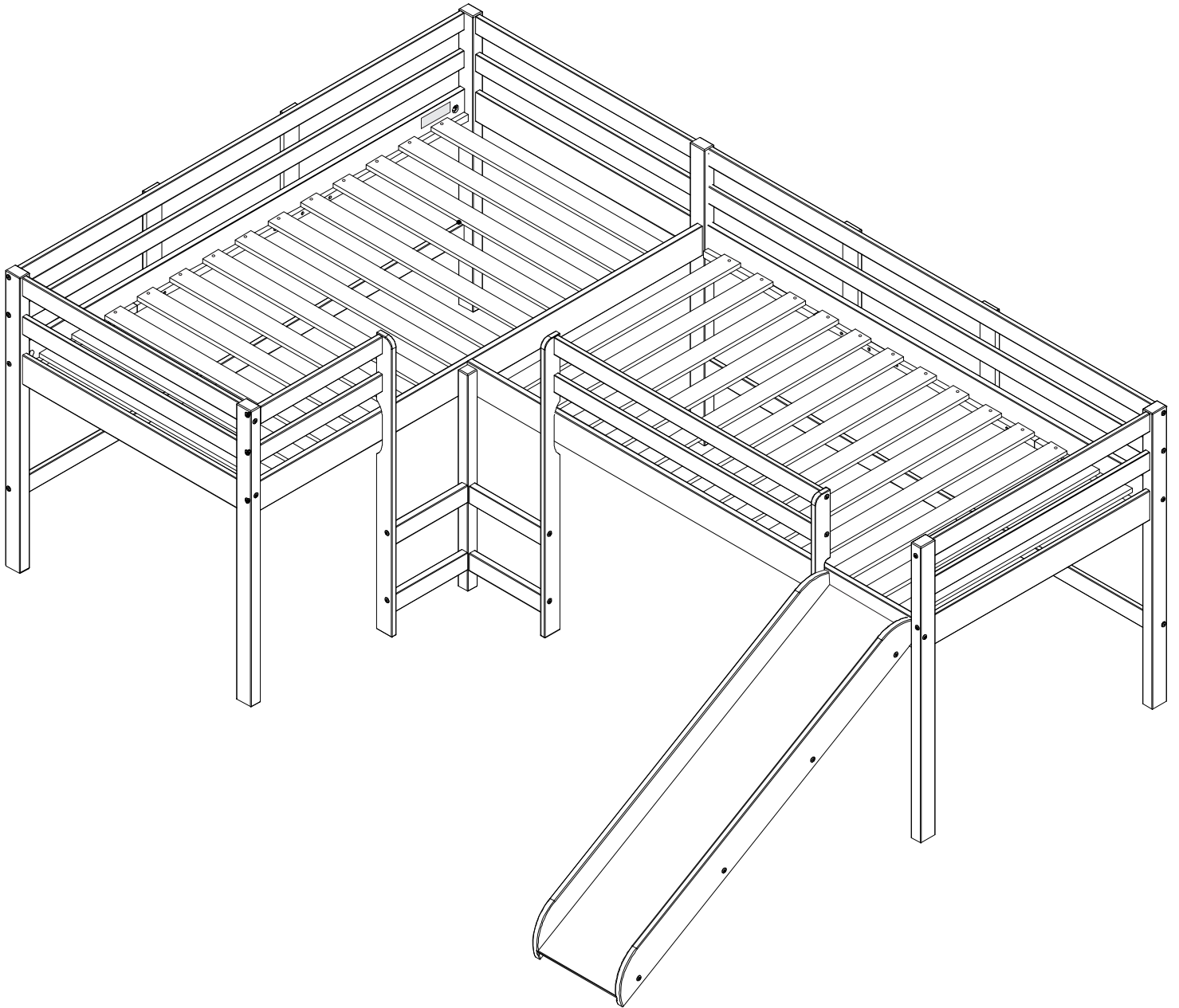
Qty 02

Wood Spacer - 3"

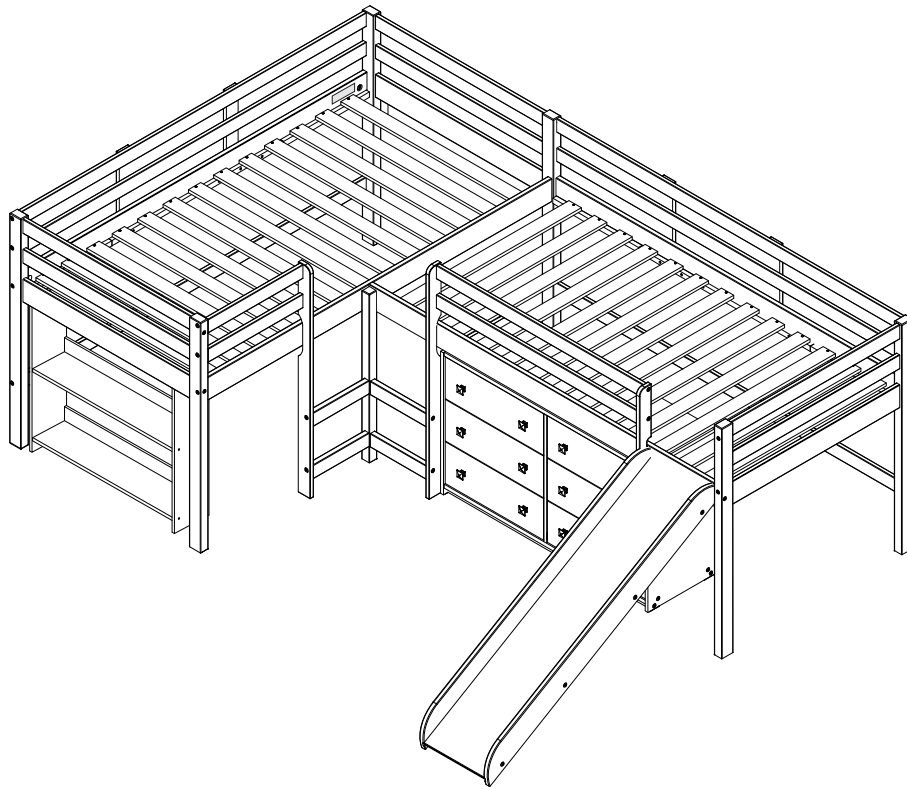


**Before fixed the first slat use the hardware letter (L) to help define the space between each next slats.
Use 1 (L) on the left side rail and 1 (L) on the right side rail.**

OPTION THE BED ONLY



OPTION THE BED WITH BOOKCASE AND DRAWERS DRESSER



OPTION THE BED WITH FABRIC

