



XOV_SC
WALL MOUNT HOOD

HOW BEAUTIFUL KITCHENS BREATHE



XOV_SC

- Electronic 3 Speed Control
- Code Compliance Control - 395 or 600 CFM
- High Efficiency 3000k LED Lights (x2)
- 5 Minute delay function

DESIGNED AND CRAFTED IN ITALY

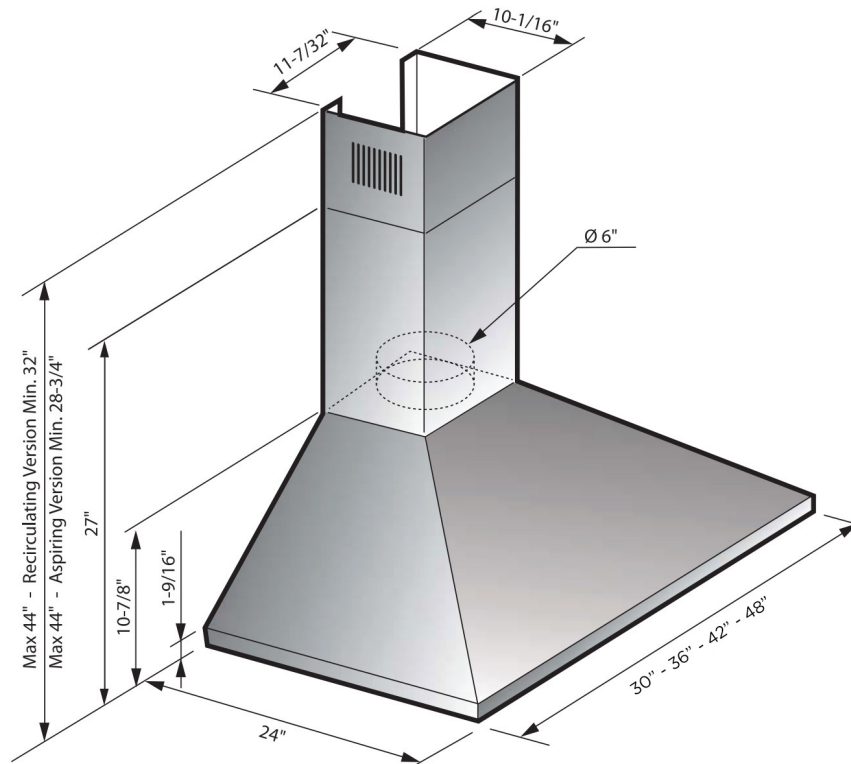
The XOV is a must for those who desire the utmost in performance and design. The high powered whisper quiet blowers, electronic touch controls, and stainless steel filters are perfect for pro style cooking appliances.

At XO, we believe that a good design is something everyone can afford

WORLD CLASS SERVICE | COMPREHENSIVE WARRANTIES

OUR LASTING COMMITMENT TO YOU





FEATURES

FINISH

Stainless Steel

FEATURES

- Electronic 3 Speed Control
- CCC Code Compliance Control - 395 or 600 CFM
- High Efficiency 3000k LED Lights (x2)
- Standard Chimney fits ceilings up to 9' tall
- Dishwasher Safe Aluminum Mesh Filters
- 6" Vertical Duct or Recirculating (Kit Sold Separately)
- 5 Minute Delay Shutoff Timer
- Made In Italy

PERFORMANCE

SPEED	1	2	CCC	3
CFM	150	250	395	600
SONES	1.0	2.5	4.0	6.5

SPECIFICATIONS

ELECTRICAL 115VAC 60HZ 4.35 AMP

DIMENSIONS

H MAX 44" - MIN 32" (Recirc)
 28 3/4" (Vented)
 W 30", 36", 42", 48"
 D 24"
 (Refer to illustration above)

MOUNTING HEIGHT

ABOVE COOKING 27" - 32"

OPTIONS

- XOV30 Recirc Kit **XORFK02**
 - XOV36, 42 Recirc Kit **XORFK03**
 - Recirculation Filters **XORFSQR**
 - Duct Cover Extension **XOEDCV2**
- (For ceilings up to 10' tall)

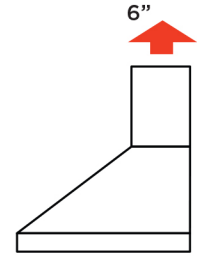
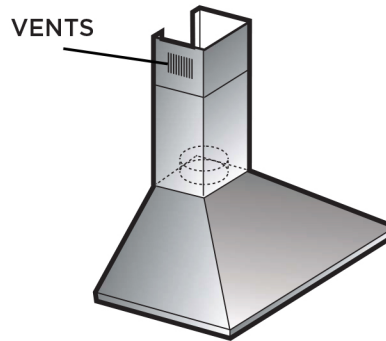
RECOMMENDED MOUNTING HEIGHT

All range hoods have a recommended range of installation height over the cooking surface. However cooking styles, types of cooking equipment and installation limitation can vary greatly. For installations outside the recommended range - consult XO.

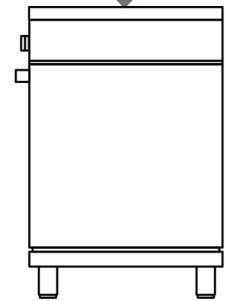
THESE MODELS HAVE A 6" DIAMETER VERTICAL EXHAUST DUCT

RECIRCULATION

These XOV models may be installed with an optional recirculation kit when venting outside is not practical. When used in recirculation mode the filtered exhaust is directed back into the living space through vents in the telescoping duct cover. These vents cannot be covered in the installation.



RECOMMENDED
MOUNTING HEIGHT
ABOVE
COOKTOPS
27" to 32"



SIDE VIEW

HOW DOES CODE COMPLIANCE CONTROL HELP -



CODE COMPLIANCE CONTROL (CCC) enables the installer to re-program the hood as it is being installed. **Your XO Hood is set to operate at 600 CFM maximum at the factory.**

Re-programming is accomplished quickly and requires no special tools or additional parts but once done, the air flow rate is limited to a maximum of 395 CFM below the 400 CFM cap that most local codes impose eliminating the need for additional controls.

If your application calls for a make-up air solution, XO gives you more choices.