

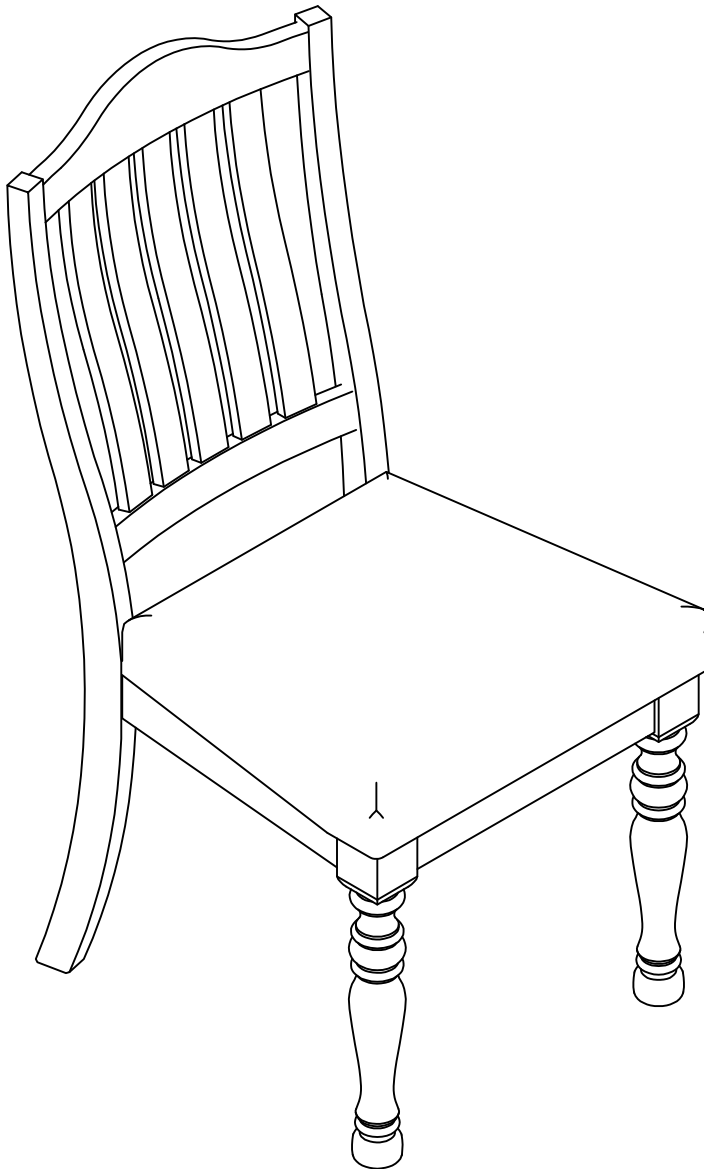
# ASSEMBLY INSTRUCTIONS

MODEL #

CM3254SC-2PK

Questions?

GIVE US A CALL: 1-888-980-5122  
MON-FRI 8:30AM - 5:30PM (PT)



## TOOLS REQUIRED



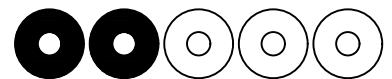
Allen Wrench

(Included)



2 - People  
Recommended

## ASSEMBLY RATING



EASY → DIFFICULT

The Assembly Rating is a 5-point system showing the level of effort needed to assemble a specific product.



FOA Intro

Thank you for your purchase!


We hope you enjoy this new addition to your home for many years to come.

Our commitment to providing quality products does not simply end when you purchase our product. We fully stand behind our products from start to finish. Our customer service department is available Monday – Friday 8:30 AM – 5:30 PM Pacific Time and can help with assembly questions as well as, if necessary, replacing damaged or missing parts. To help expedite our service, please have these assembly instructions readily available, along with your order receipt.

 **Consumer Hotline**  
Toll-Free 1-888-980-5122

 **WEBSITE**  
[www.foagroup.com](http://www.foagroup.com)

    foagroup

 **Monday to Friday**  
8:30AM- 5:30PM (PT)

 **E-MAIL**  
[cs.ec@foagroup.com](mailto:cs.ec@foagroup.com)

 FurnitureOfAmerica

---

## CHECK BEFORE STARTING

**Are you missing anything?**  
Double-check all parts, hardware and accessories listed are all accounted for.

**Should we send any replacements?**  
Are there any irregularities or flaws in the parts? We can send replacements!

**Check out our Quick Tips!**  
We recommend reviewing the pre-assembly handouts. Even experts need a refresher now and then!

**Prep Time!**  
Please review the assembly instructions and all diagrams prior to assembling.

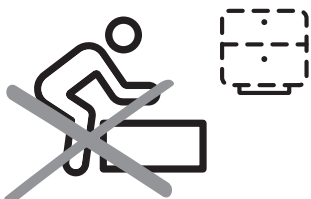
# PRE ASSEMBLY INTRODUCTION

We understand building ready-to-assemble furniture can be a challenging experience for some. To help avoid confusion, we have provided some helpful tips that may speed up the process.



## Teamwork

ALWAYS have at least two people to help with transporting and assembling the product to avoid potential injury and/or damage.



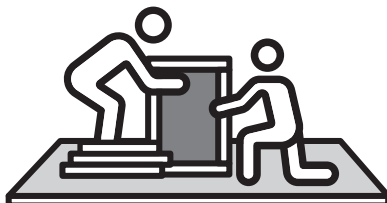
## Suitable Location

Assembling near the area of the intended location is highly recommended.



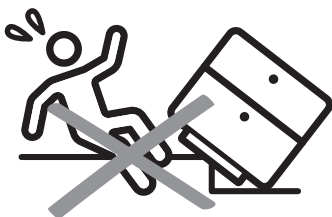
## Sufficient Space

Make sure you have enough space to move around during the assembly.



## Avoid Scratches

Use cardboard, blankets or a carpeted area while assembling furniture to prevent to prevent scratches and damages.



## Flat Surface

Make sure the furniture rests on a flat and level surface with each leg evenly touching the floor.

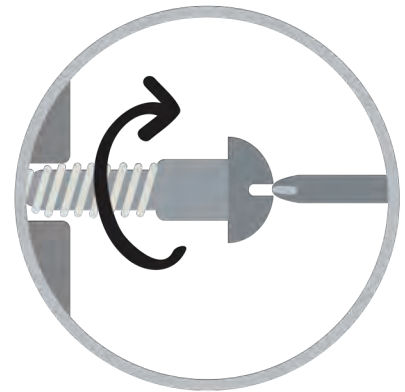
# ASSEMBLY AND CARE ADVICE



**FAILURE TO FOLLOW THE GUIDELINES BELOW MAY RESULT IN INJURY AND/OR PROPERTY DAMAGE.**



Position each part correctly and insert screws or bolts into their respective holes.



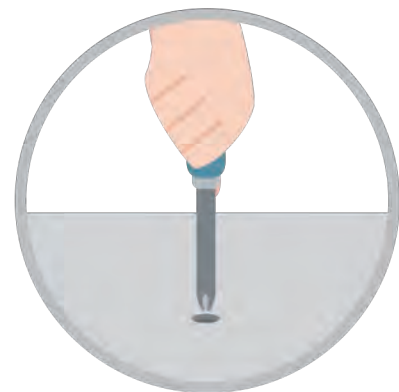
Turn clockwise to tighten and only tighten when step is completed or when instructed to do so.



Use the appropriate hand tools or power tools for assembly. Select steps, such as tightening screws and/or bolts, may require hand tools to avoid causing damage during assembly.



Save the instructions and store any supplied tools for later maintenance.



After two weeks, check and tighten any loose hardware and repeat again every six months thereafter.

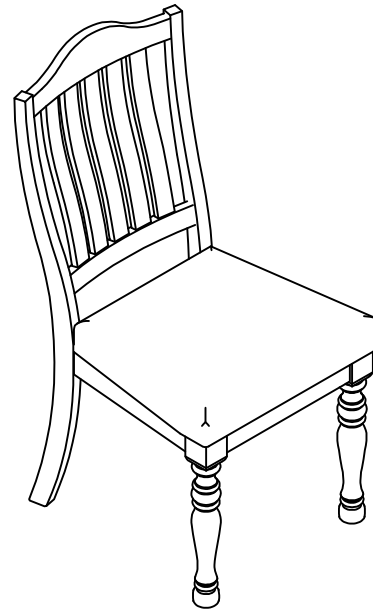
**IT IS THE USER'S RESPONSIBILITY TO MAINTAIN THE FURNITURE. THE HARDWARE MAY LOOSEN OVER TIME AND MAY CAUSE THE FURNITURE TO BE WOBBLY AND UNABLE TO SUPPORT ITS INTENDED WEIGHT CAPACITY. THIS MAY LEAD TO COLLAPSE AND MAY CAUSE SERIOUS INJURY.**

# CHAIR

CM3254SC-2PK

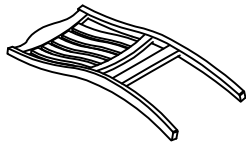


- Please keep instructions for future reference.
- Check the quantity and irregularity of parts and hardware before you start.



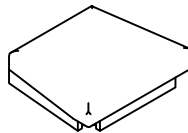
## PARTS

#1 1pc x 2



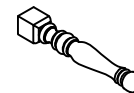
Chair Back

#2 1pc x 2



Cushion Seat

#3 2pcs x 2



Front Leg

## HARDWARE

#A 2pcs x 2



Bolt  
Ø1/4" x 1-1/2"

#B 4pcs x 2



Bolt  
Ø1/4" x 2-3/8"

#C 4pcs x 2



Bolt  
Ø1/4" x 3"

#D 10pcs x 2



Lock Washer  
Ø1/4"

#E 10pcs x 2



Flat Washer  
Ø1/4"x19mm

#F 1pc x 2



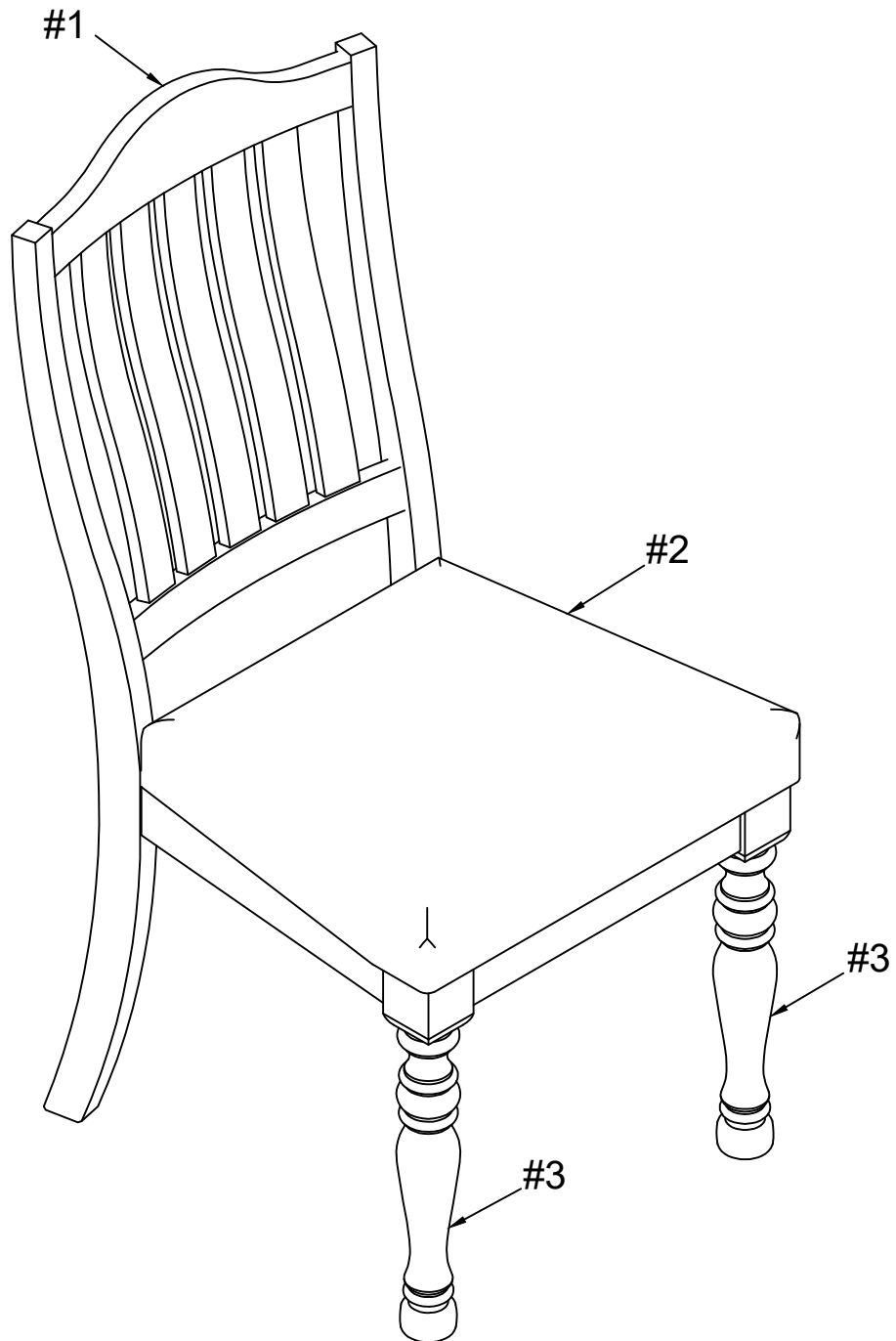
Allen Wrench  
4mm

#G 1pc x 2



Wooden Dowel  
(Ø10 x 30mm)

# Exploded View



# ASSEMBLY INSTRUCTIONS

## 1

Part #1 x1pc

Part #2 x1pc

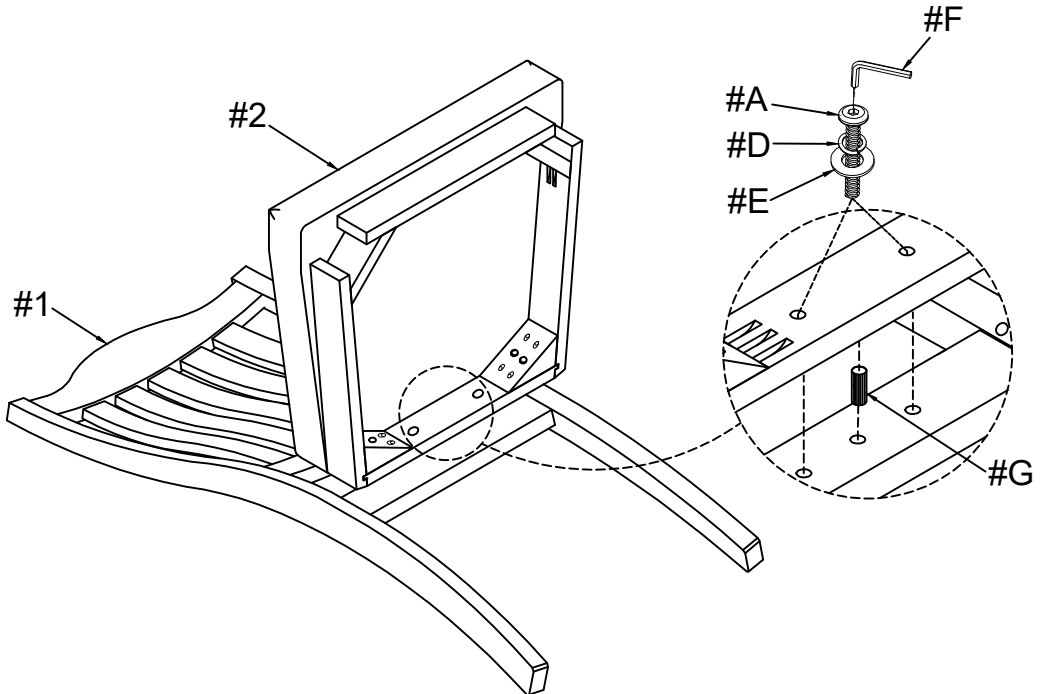
Hardware #A x2pcs

Hardware #D x2pcs

Hardware #E x2pcs

Hardware #G x1pc

Use Dowel (#G) to align the Cushion Seat (#2) to the Chair back (#1). Secure by using Bolt (#A) with Lock Washer (#D) and Flat Washer (#E).



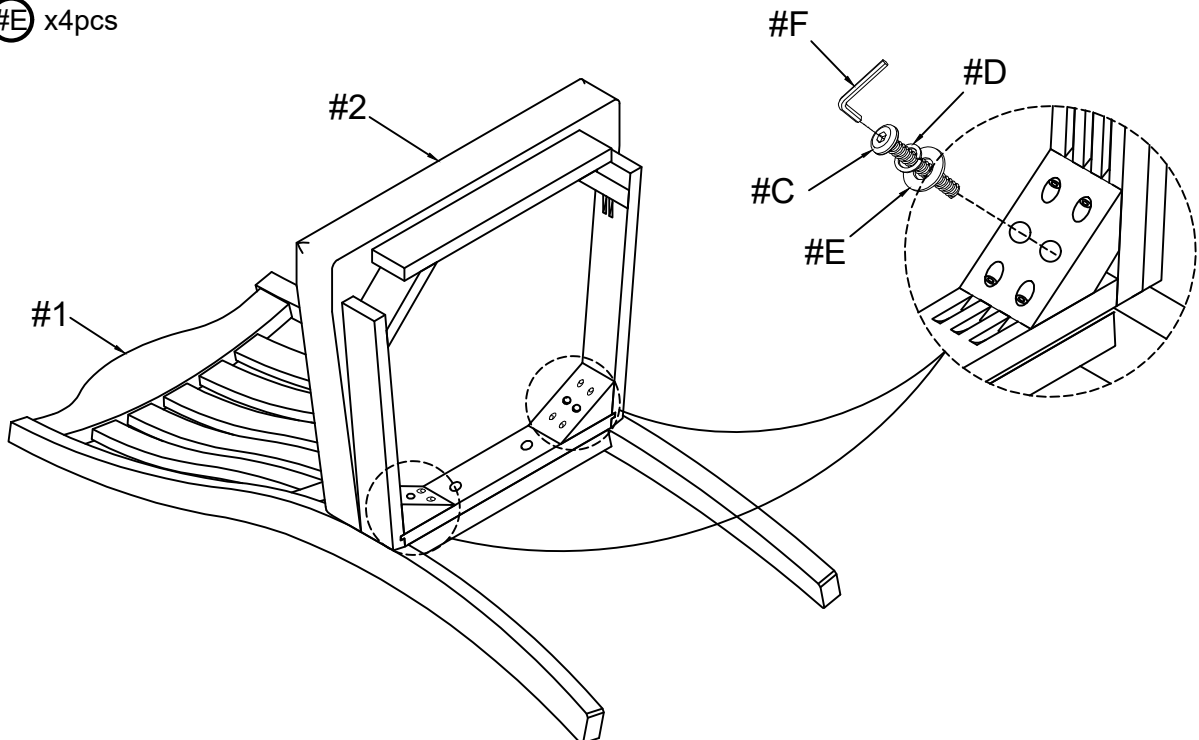
## 2

Hardware #C x4pcs

Hardware #D x4pcs

Hardware #E x4pcs

Secure corners of the Cushion Seat (#2) to the Chair back (#1) legs by using Bolt (#C) with Lock washer (#D) and Flat washer (#E).



# ASSEMBLY INSTRUCTIONS

## 3

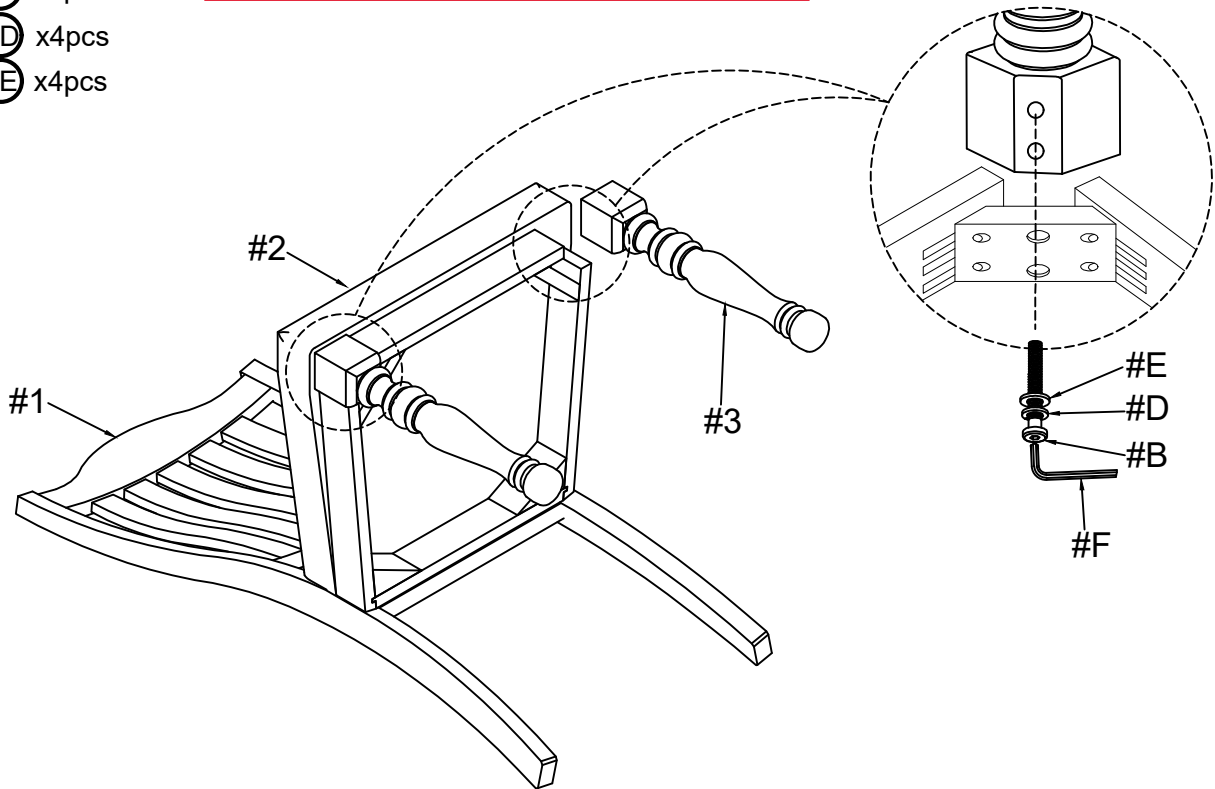
Part #3 x2pcs

Hardware #B x4pcs

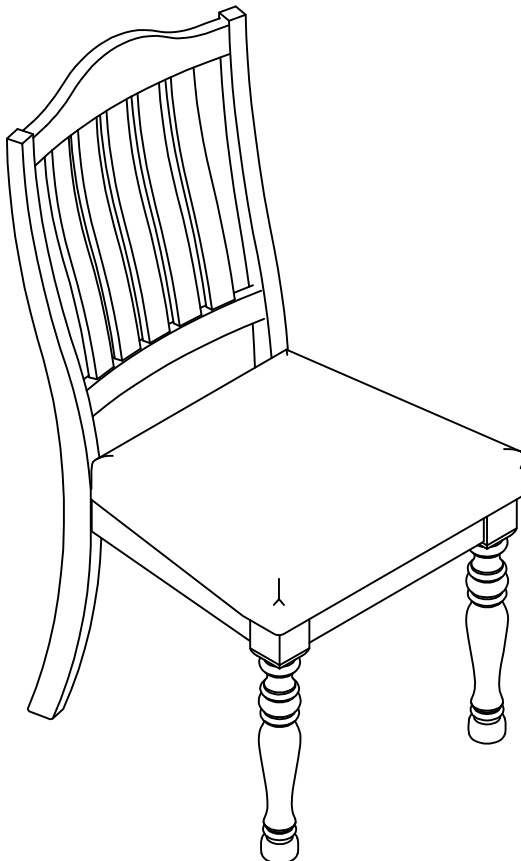
Hardware #D x4pcs

Hardware #E x4pcs

Align and secure the Front leg (#3) to the Cushion Seat (#2) and secure by using Bolt (#B) with Lock washer (#D) and Flat washer (#E).



## 4



## ASSEMBLY COMPLETED



Please ensure the furniture rests on an even and flat surface. If the product wobbles or feels loose, double-check all bolts and/or screws are properly tightened and secured.

### ✓ Keep this handy!

Please retain this instruction manual and any order-related information for future reference.

### ✓ Lift, don't drag!

To avoid damage to product please always LIFT the product when transporting or adjusting the placement.