

## CLA-424-068 TRUE LOVE CARACOLE CLASSIC REEDED

### ASSEMBLY INSTRUCTIONS

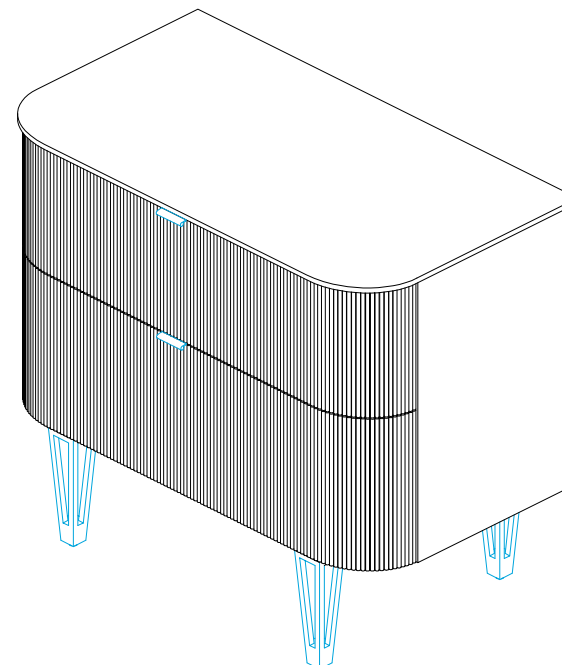
TWO (2) PEOPLE AND PHILIP'S SCREWDRIVER REQUIRED





PLEASE UNPACK ALL PARTS AND CHECK AGAINST PARTS LIST ON THIS INSTRUCTION SHEET BEFORE DISCARDING PACKING AND CARTON!!

- 1) Attached the legs to bottom using the Bolts M6x25 (A), Spring Washer (B) , Allen Key 4 (C).see Step 1
- 2) Anti-tipping restraint straps .see step 2

\*\*\* NOTE KEEP THIS SHEET!!! \*\*\*

In the unlikely event that you would need a replacement part for your table, please contact your local authorized Schnadig International dealer. If you need replacement hardware quickly, it could be purchased from your local hardware store.

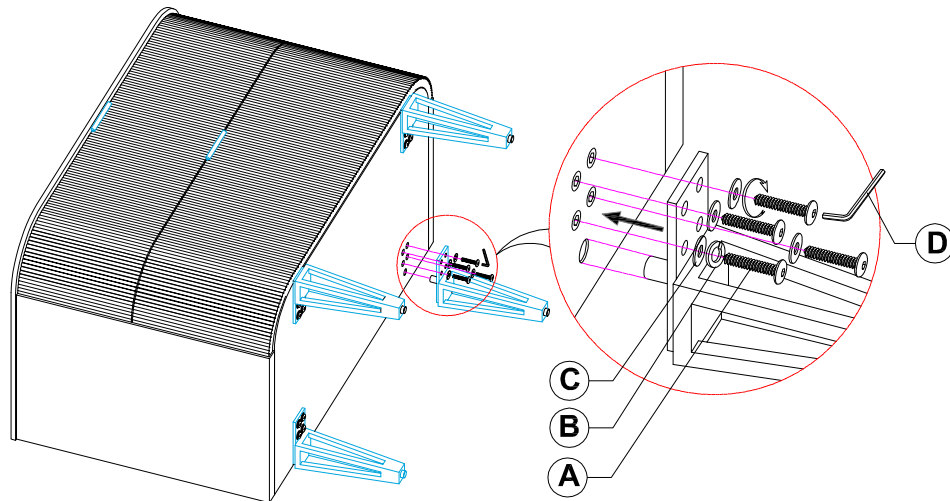


Part Description	Part No.	QTY	RTA Hardware		
1 Soft Closing Guide	CLA-424-066-30424	2 (sets)	NO.	Hardware List	Q'ty
2 Leg	CLA-019-0613-3018	4 (pcs)	A	 Bolt M6x25	16 (pcs)
3 Adjustable Glide	CLA-424-066-3075	4 (pcs)	B	 Lock Washer	16 (pcs)
4 Tip kit	CLA-424-066-30157	1 (pc)	C	 Flat Washer	16 (pcs)
5 RTA Hardware	CLA-019-0613-3001	1 (pc)	D	 Allen Key	1 (pc)
6 Drawer Pull	CLA-424-066-3081	2 (pcs)			

Created on: 2024-07-24

## Step 1

Lay down the case on the clean floor surface .  
Connect the 4 legs to the bottom of case using the Bolts M6x25 (A), Spring Washer (B) , Tighten with Allen Key 4 (C)



## Step 2

