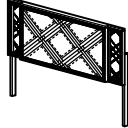
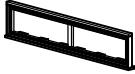


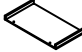
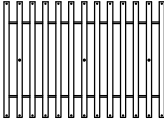
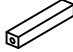
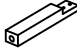






ASSEMBLY INSTRUCTION FOR ACME FURNITURE







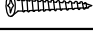



MODEL#25317 CK/EK-HB / #25318 CK/EK-FB / #25319 CK/EK-DRW / #25319EK-R

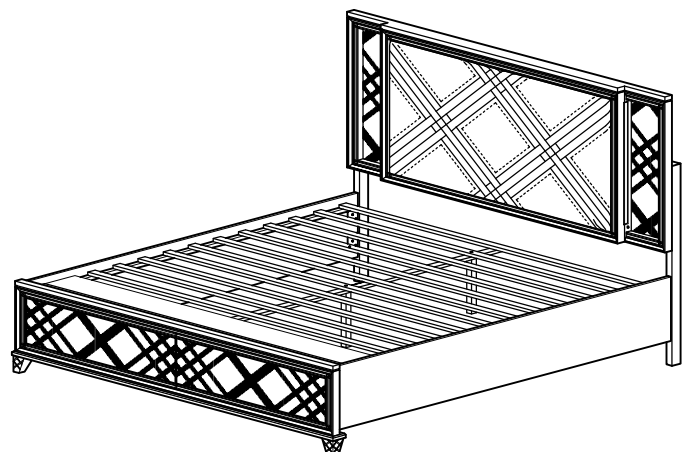
Thank you for purchasing this quality product. Be sure to check all packing material carefully for small parts which may have loose inside the carton during shipment. Separate, identify and count all parts and metal hardware. Compare with all parts list to be sure all parts are present. If any part(s) are missing or damaged, please contact your local furniture dealer. For efficient and speedy service, please indicate the model number and code letter of part(s) needed.

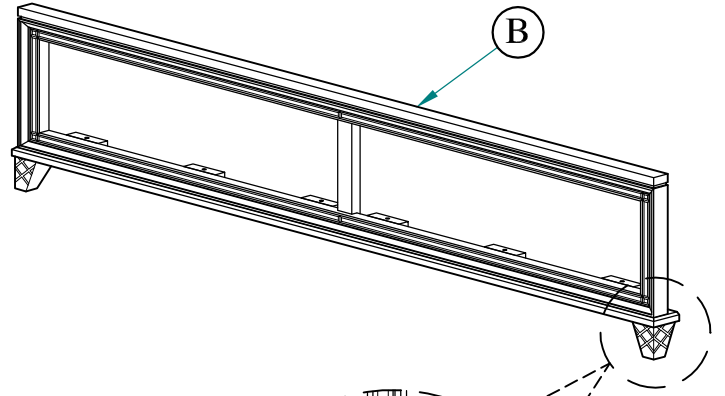
Do not fully tighten screw until fully assembled

COMPONENT PARTS		
DESCRIPTION	PART NAME	Q'TY (PCS)
(A)	HEADBOARD 	1
(B)	FOOTBOARD 	1
(C)	SIDE RAIL 	2
(D)	DRAWER 	2
(E)	DRAWER BASE PANEL 	2
(F)	ROLL SLAT 	13
(G)	SLAT SUPPORT LEG 	3
(H)	DRAWER SUPPORT LEG 	1
(I)	SLAT COVER PANEL 	1
(J)	CENTER VERTICAL SLAT 	1
(K)	DRAWER SUPPORT RAIL 	1
(L)	BUN FOOT 	2

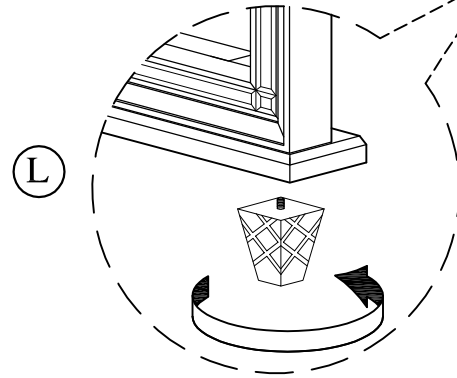
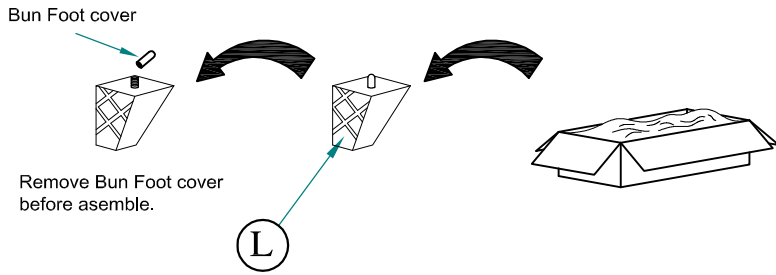
HARDWARE REQUIRED

NO	NAME	PART	QTY
1	Allen key		1pc
2	JCBC 16mm		2pcs
3	JCBC 35mm		9pcs
4	JCBC 60mm		3pcs
5	M6 Spring washer		14pcs
6	M6 Flat washer		7pcs
7	Screw 32mm		26pcs
8	Screw 16mm		2pcs
9	Adjustable Leveller		4pcs
10	1/4" Flat washer		4pcs

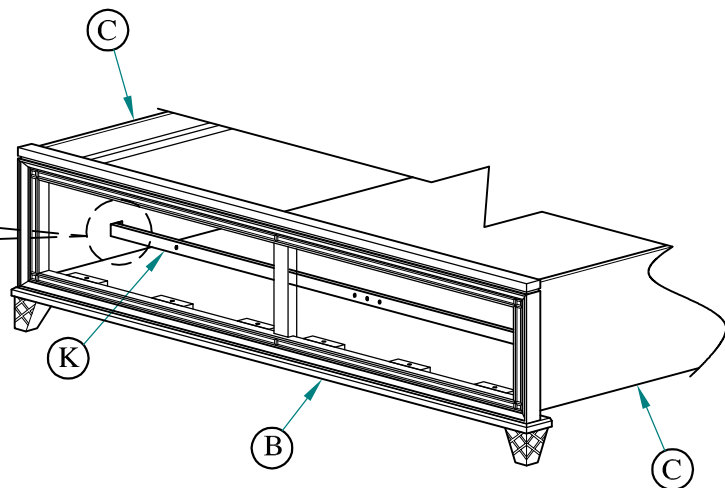
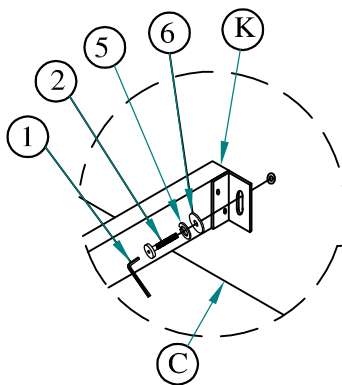
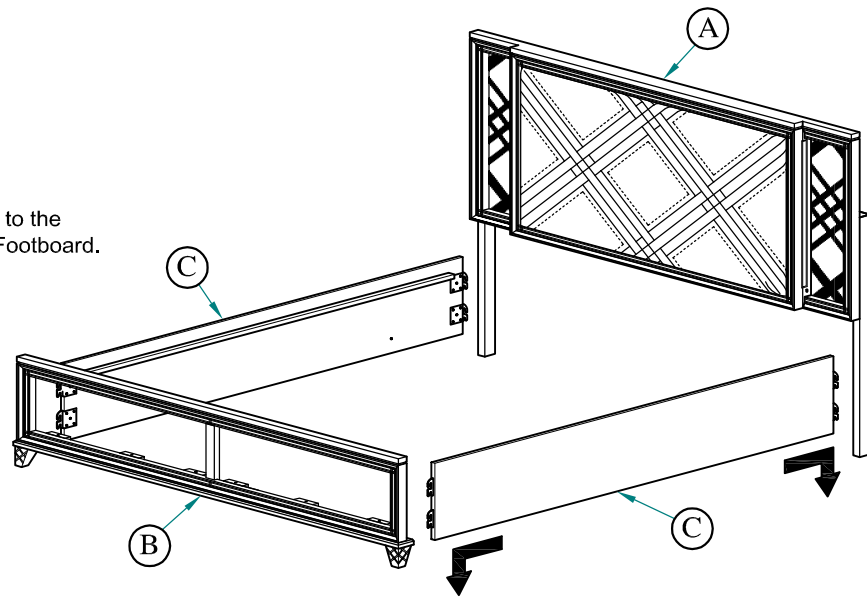




Step 1:
Secure the (L) Bun Foot to the bottom of (B) Footboard as a diagram shown.



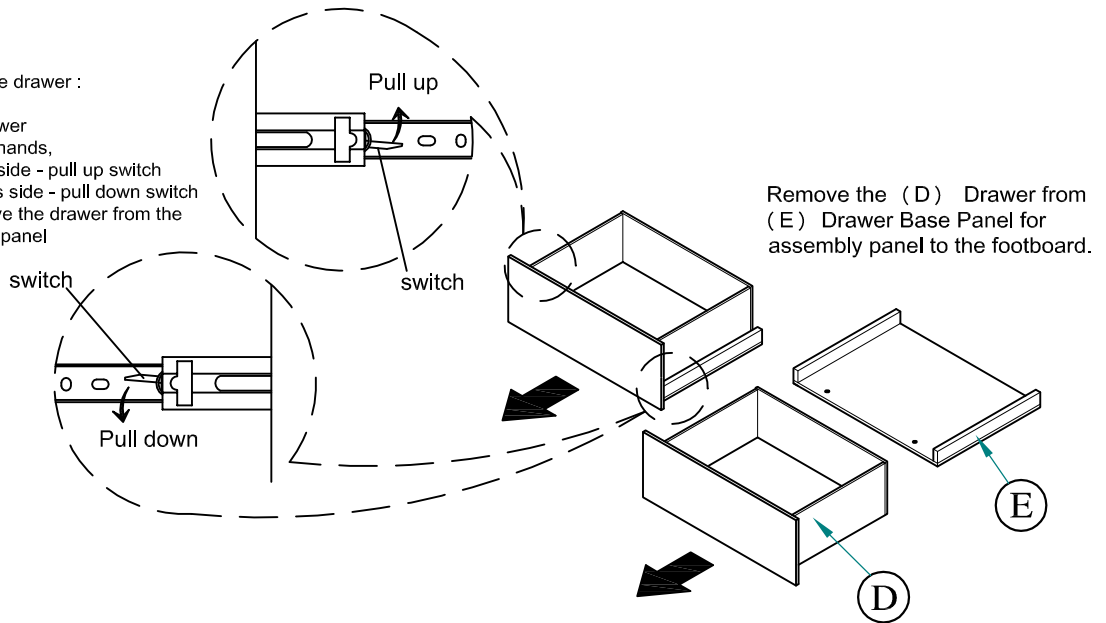
Step 2 :
Attach the (C) Side Rail to the (A) Headboard & (B) Footboard.



Step 3 :
Attach the (K) Drawer Support Rail to the (C) Side Rail as a diagram shown tighten with (2) JCBC 16mm, (5) M6 Spring Washer & (6) M6 Flat Washer.

Step to remove the drawer :

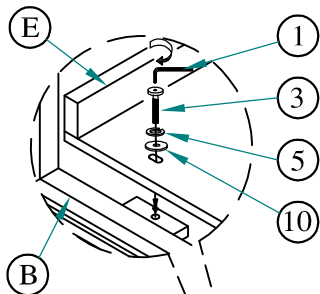
1. Pull the drawer
2. Using both hands,
 - Left hands side - pull up switch
 - Right hands side - pull down switch
3. Then remove the drawer from the drawer base panel



Remove the (D) Drawer from (E) Drawer Base Panel for assembly panel to the footboard.

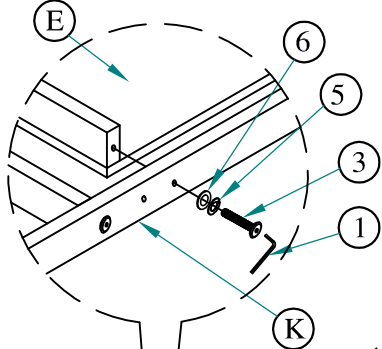
Step 4 :

Attach (E) Drawer Base Panel to the (B) Footboard as diagram shown and tighten using (3) JCBC 35mm, (5) M6 Spring Washer & (10) 1/4" Flat Washer.



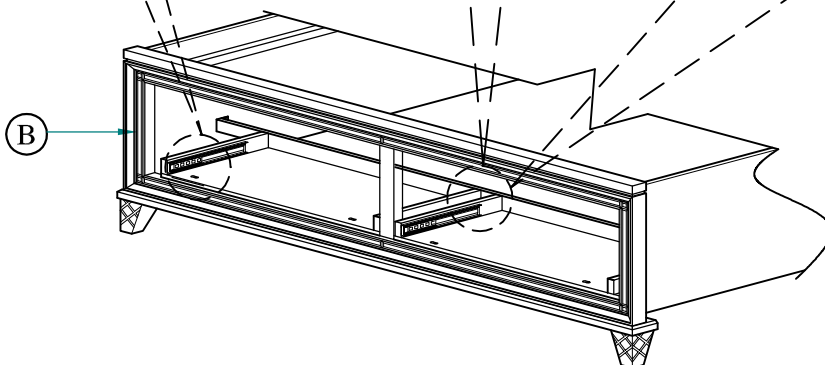
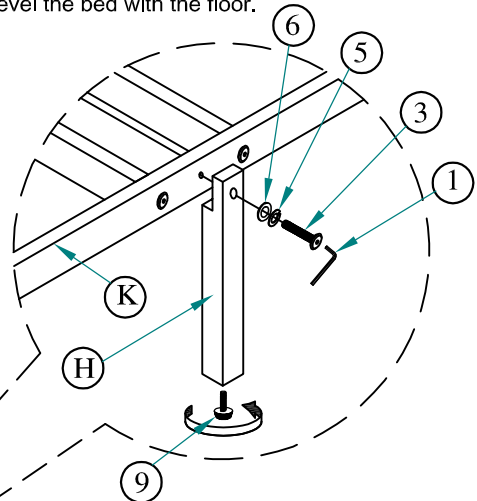
Step 5 :

Tighten the (E) Drawer Base Panel to the (K) Drawer Support Rail Panel as diagram shown using the (3) JCBC 35mm, (5) M6 Spring Washer & (6) M6 Flat Washer.



Step 6 :

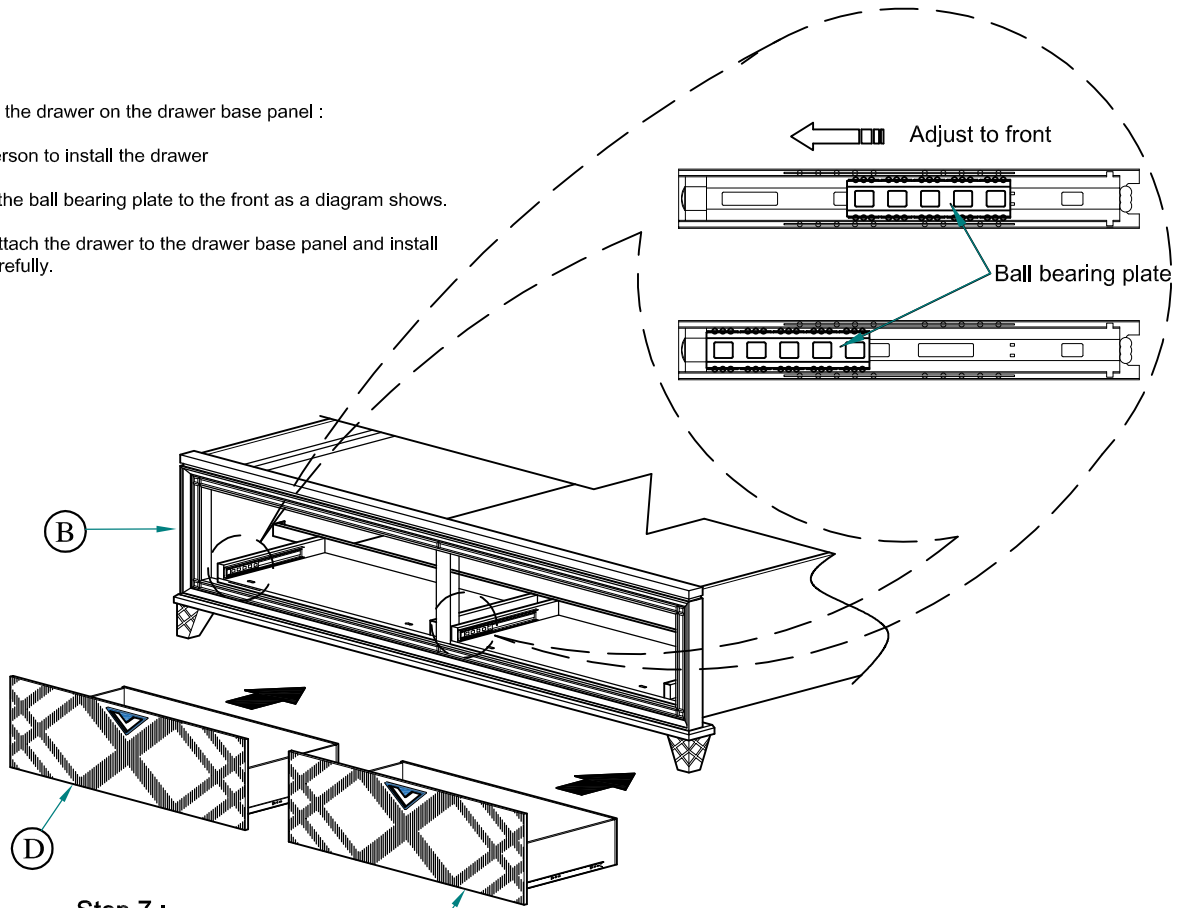
Attach (H) Drawer Support Leg to the (K) Drawer Support Rail using (3) JCBC 35mm, (5) M6 Spring Washer & (6) M6 Flat Washer. Attach the (9) Adjustable Leveller and adjust it to level the bed with the floor.



Step to install the drawer on the drawer base panel :

***Prefer 2 person to install the drawer

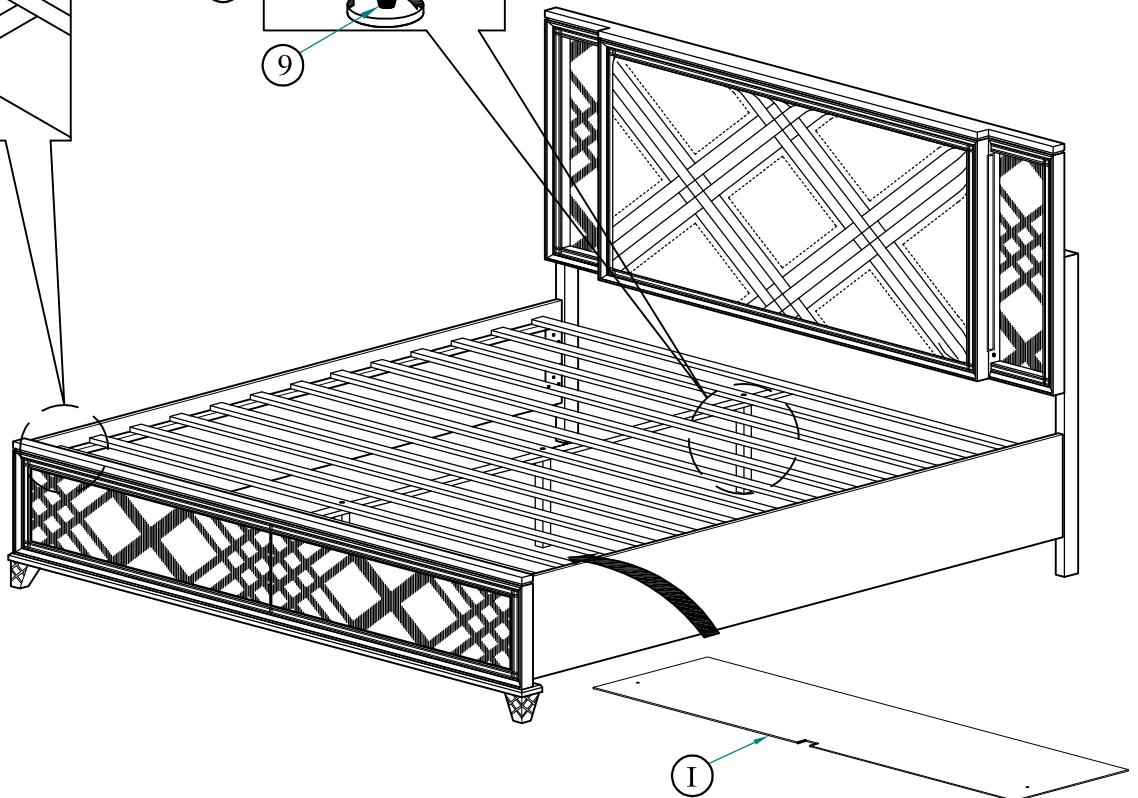
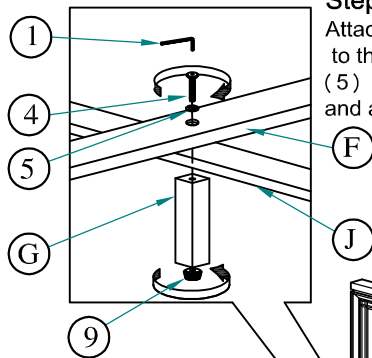
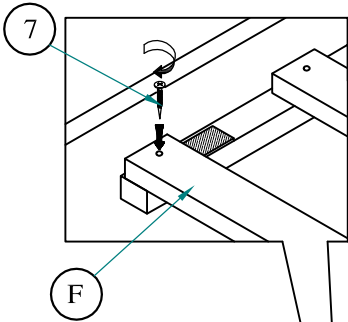
1. Adjust the ball bearing plate to the front as a diagram shows.
2. Then attach the drawer to the drawer base panel and install with carefully.



Step 7 :
Insert the (D) Drawer to the (B) Footboard.

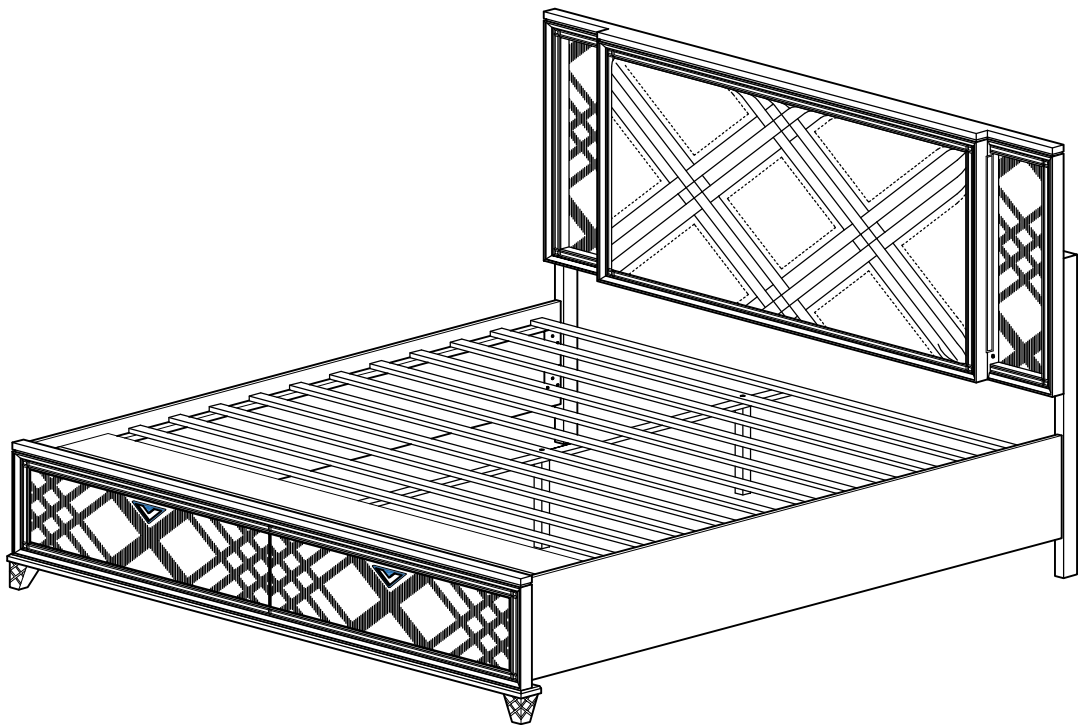
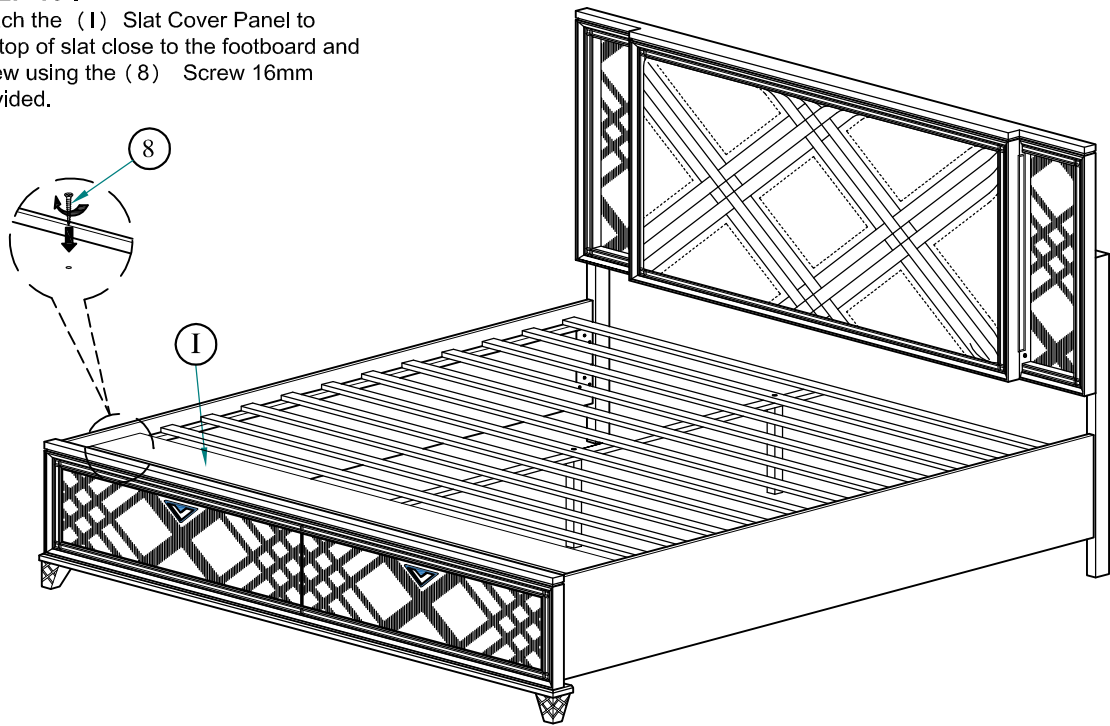
Step 9 :
Attach (G) Slat Support Leg & (J) Center Vertical Slat to the bottom of (F) Roll Slat using (4) JCBC 60mm & (5) M6 Spring Washer. Attach the (9) Adjustable leveller and adjust it to level the bed with the floor.

Step 8 :
Secure the (F) Roll Slat using the (7) Screw 32mm provided.



STEP 10 :

Attach the (1) Slat Cover Panel to the top of slat close to the footboard and screw using the (8) Screw 16mm provided.



Assembly completed

ASSEMBLY INSTRUCTION FOR ACME FURNITURE

MODEL#25317 CK/EK-HB

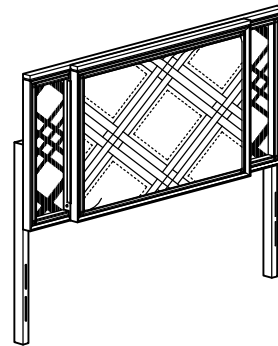
Thank you for purchasing this quality product. Be sure to check all packing material carefully for small parts which may have loose inside the carton during shipment. Separate, identify and count all parts and metal hardware. Compare with all parts list to be sure all parts are present. If any part(s) are missing or damaged, please contact your local furniture dealer. For efficient and speedy service, please indicate the model number and code letter of part(s) needed.

Do not fully tighten screw until fully assembled

COMPONENT PARTS		
DESCRIPTION	PART NAME	Q'TY (PCS)
(A)	HEADBOARD	1
(B)	HEADBOARD POST - (L/R)	2

HARDWARE REQUIRED

NO	NAME	PART	QTY
1	Allen key		1pc
2	JCBC 60mm		6pcs
3	M6 Spring washer		6pcs
4	M6 Flat washer		6pcs
5	AC/DC Adapter		1pc

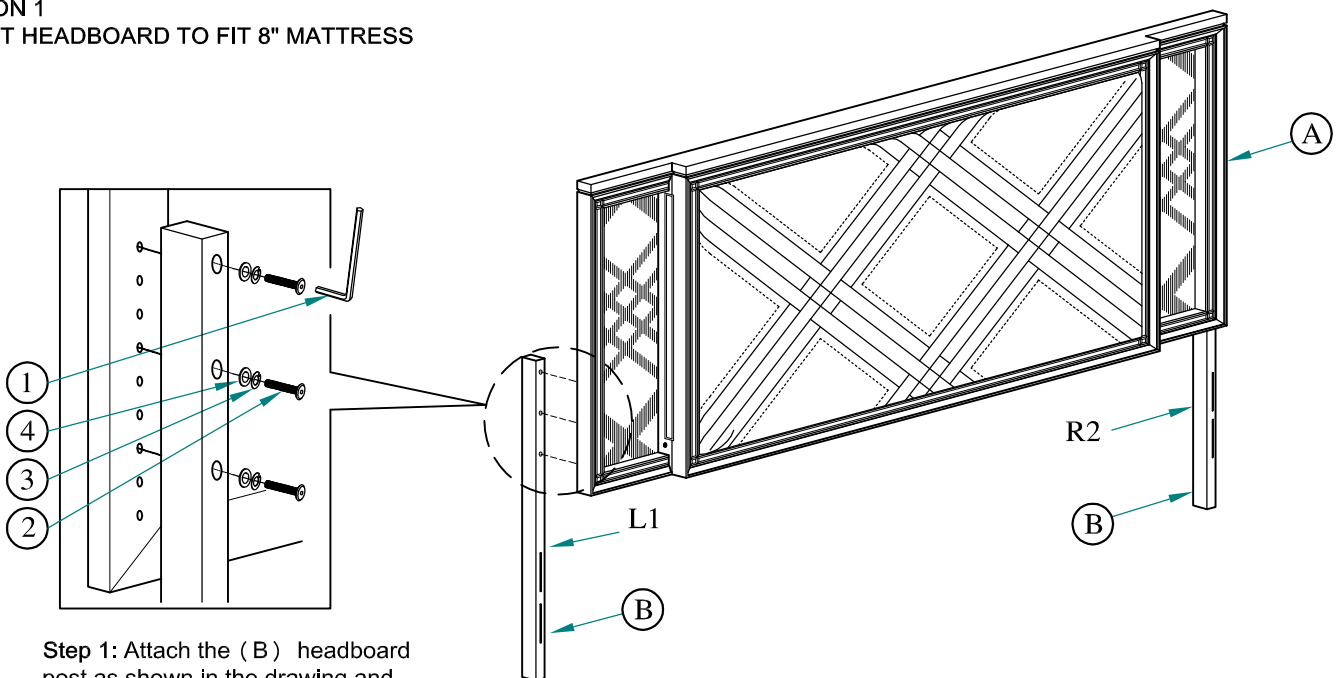


STEP 1 :

3 OPTIONS HEIGHT POSITION OF HEADBOARD

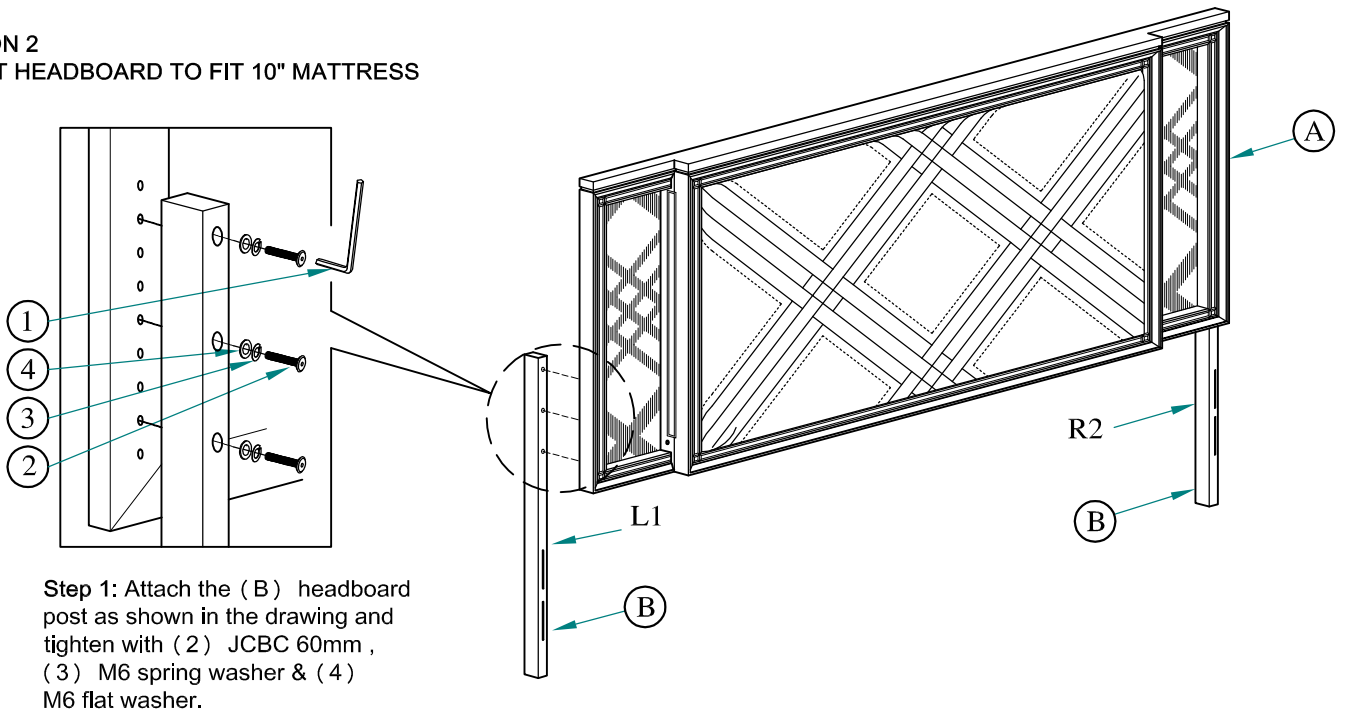
#OPTION 1

ADJUST HEADBOARD TO FIT 8" MATTRESS



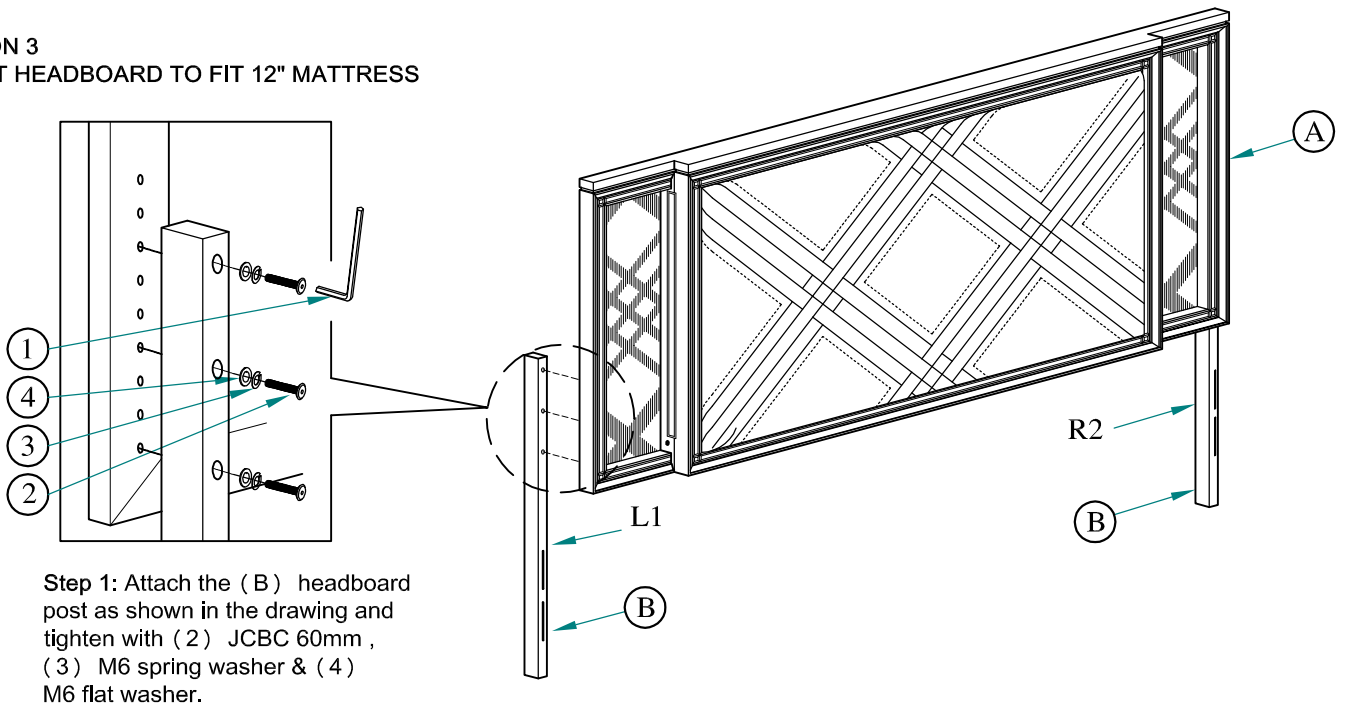
Step 1: Attach the (B) headboard post as shown in the drawing and tighten with (2) JCBC 60mm , (3) M6 spring washer & (4) M6 flat washer.

#OPTION 2
ADJUST HEADBOARD TO FIT 10" MATTRESS



Step 1: Attach the (B) headboard post as shown in the drawing and tighten with (2) JCBC 60mm , (3) M6 spring washer & (4) M6 flat washer.

#OPTION 3
ADJUST HEADBOARD TO FIT 12" MATTRESS



Step 1: Attach the (B) headboard post as shown in the drawing and tighten with (2) JCBC 60mm , (3) M6 spring washer & (4) M6 flat washer.

