



REFRIGERATOR

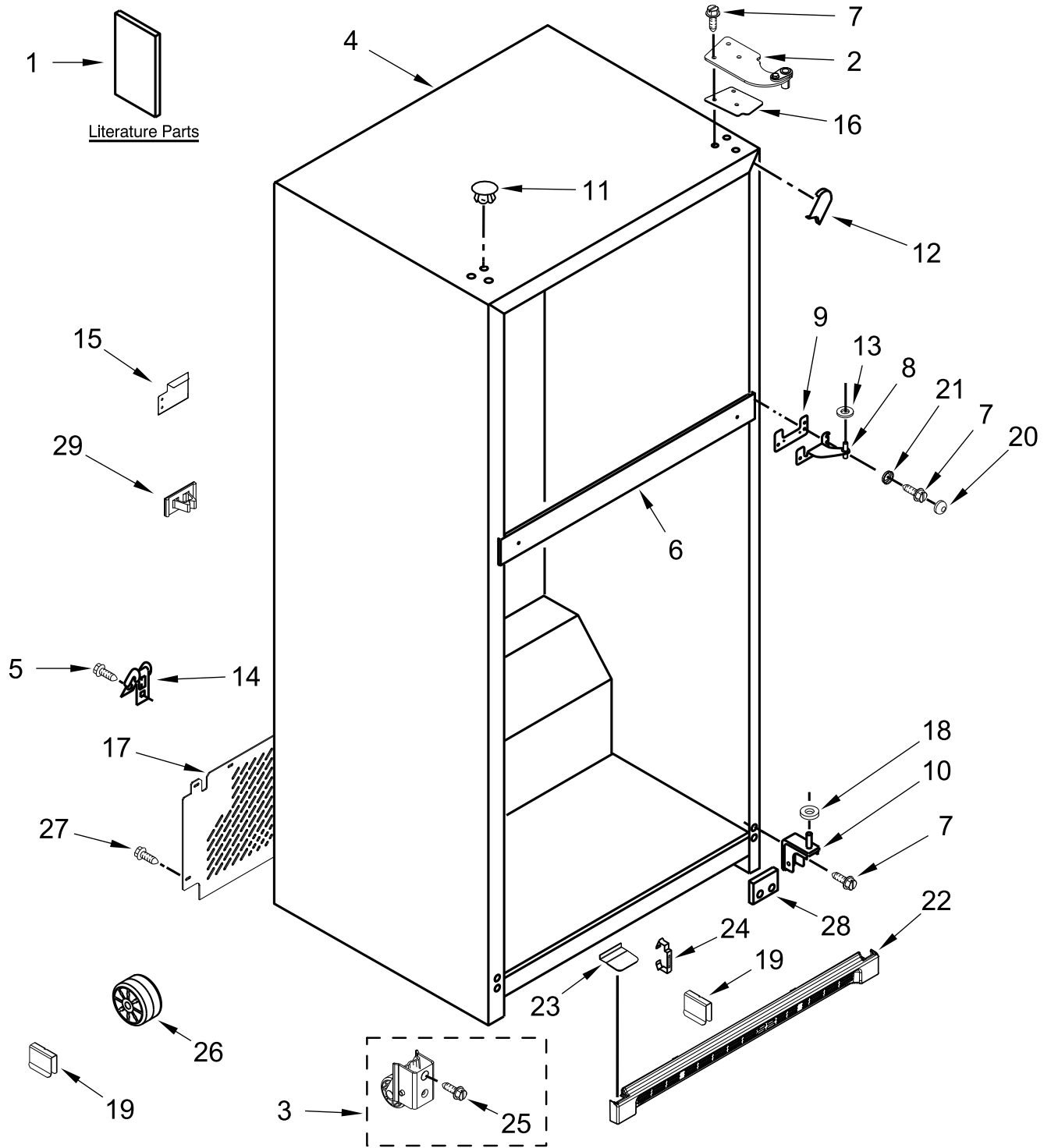
MODELS:

WRT541SZDW03 (White)

WRT541SZDB03 (Black)

WRT541SZDM03 (Stainless)

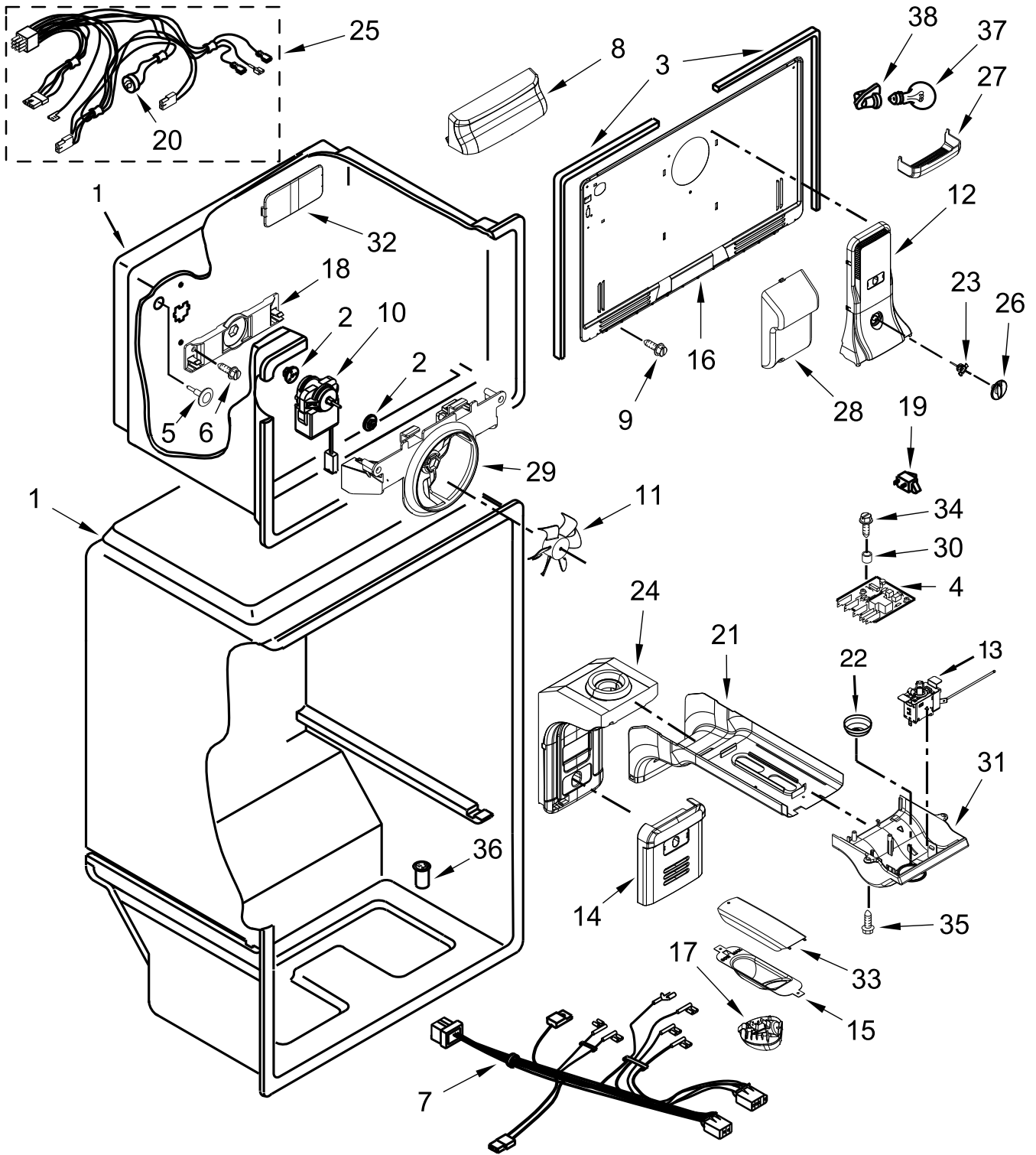
CABINET PARTS



CABINET PARTS

<u>Illus.</u> <u>No.</u>	<u>Part No.</u>	<u>Description</u>	<u>Illus.</u> <u>No.</u>	<u>Part No.</u>	<u>Description</u>	<u>Illus.</u> <u>No.</u>	<u>Part No.</u>	<u>Description</u>
1		Literature Parts	12		Filler, Wrapper	23		Cover, Toe Grille
	W11511783	Service & Wiring Sheet		W11219639	White		W10600071	White
	W11507956	Use and Care Guide		W11219641	Black		W10468609	Black
	W11644018	Energy Guide		W11219642	Grey		W10468611	Grey
	2225623	Icemaker Service Sheet	13	489341	Washer, Plastic	24	2254385	Clip, Grille
2	W11656390	Assembly, Top Right Hinge	14	W11242280	Clamp, Power Cord	25	W10142287	Screw
3	W10725960	Assembly, Roller	15	W11458717	Access Cover, Valve	26	W10475495	Roller
4		Cabinet (Not Serviced)	16	W11656515	Shim, Top Hinge	27	2262176	Screw
5	489442	Screw	17	W11307290	Cover, Unit	28	2201567	Shim, Hinge (Bottom)
6		Rail, Center (Not Serviced)	18	487576	Washer, Plastic	29	W10352217	Clip, Tube
7	489497	Screw	19	2174706	Clip, Roller			
8	2254618	Hinge, Center	20		Cap, Dome			
9	2183852	Shim, Hinge Center		W10674771	White			
10	2254473	Hinge, Bottom		W10679135	Black			
11		Plug, Hole		W10679139	Grey			
	W10520304	White	21	W10674773	Cap, Washer Dome			
	W10520305	Black	22		Grille			
	W10520307	Grey		W10592141	White			
				W10592142	Black			
				W10592144	Grey			

LINER PARTS

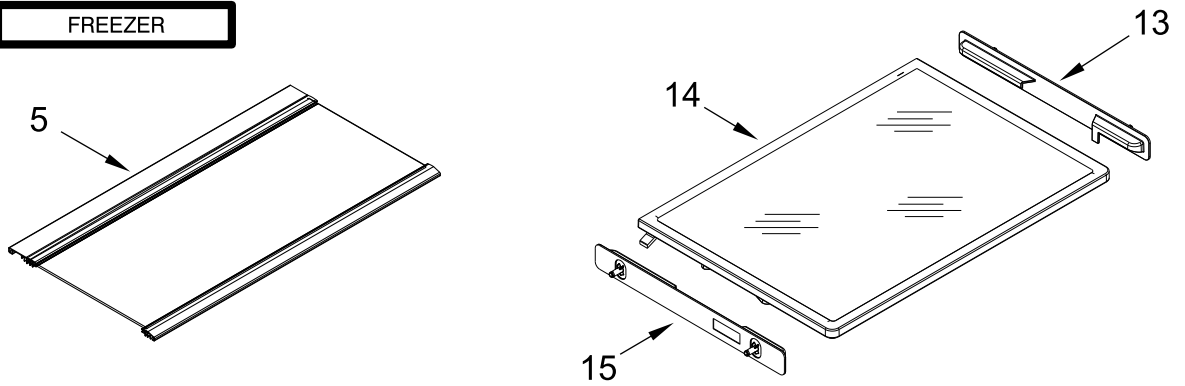


LINER PARTS

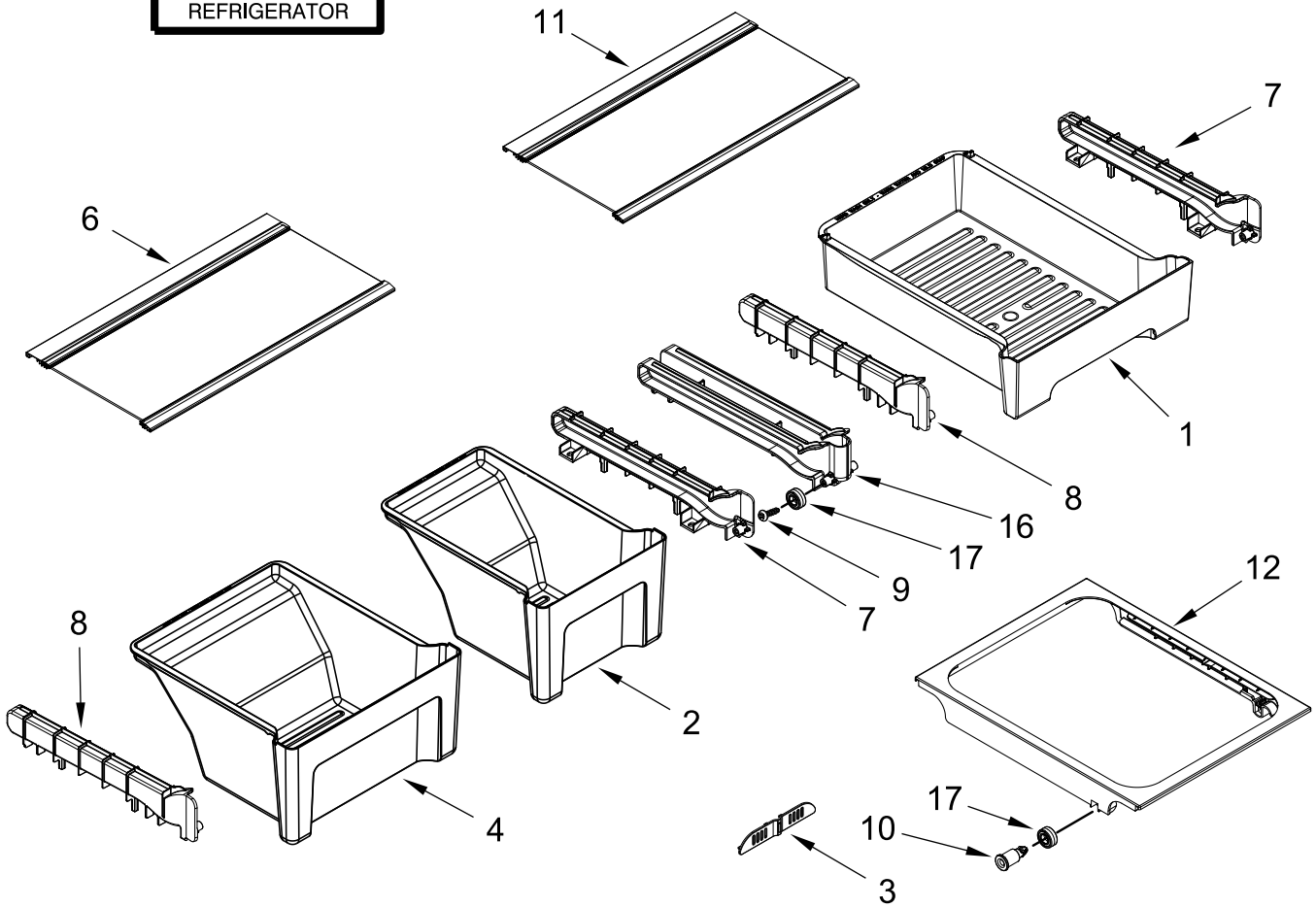
<u>Illus. No.</u>	<u>Part No.</u>	<u>Description</u>	<u>Illus. No.</u>	<u>Part No.</u>	<u>Description</u>	<u>Illus. No.</u>	<u>Part No.</u>	<u>Description</u>
1		Liner (Not Serviced)	12	W10654834	Assembly, Air Tower (FC)	25	W11314511	Assembly, Evaporator Fan Wire (Includes Defrost Bi-Metal)
2	2197380	Grommet	13	W11514634	Assembly, Thermostat	26	W10570952	Knob, Air Control
3	2254360	Gasket, Evaporator Cover	14	W10609502	Cup, Air Diffuser	27	W10313918	Lens, Light
4	W11438735	Adaptive Defrost Control	15	W10300161	Shield, Light	28	W11341625	Cover, Water Tube
5		Hole Plug	16	W11515911	Cover, Evaporator	29	W10321162	Bracket, Fan Motor
	941839	White	17	W11429584	Module, LED	30	W10418502	Spacer
6	488208	Screw	18	2254454	Bracket, Evaporator Fan Rear	31	W10316941	Box, Control
7	W11476624	Wire Assembly, Control Box	19	W11514900	Switch, Light	32	W10336009	Cup, Screw
8	W10313917	Housing, Freezer Lighting	20	W10392132	Bi-Metal, Defrost	33	W10348614	Cover, Light
9	W10142283	Screw (White)	21	W10305175	Cover, Air Diffuser	34	W10141596	Screw
10	2315539	Motor, Evaporator Fan	22	W10716304	Knob, Control	35	489174	Screw
11	2200509	Blade, Fan	23	W10662269	Baffle, Air Manual	36	2210509	Valve, Release
			24	W10883330	Assembly, Multiflow	37	W11160686	Lamp, LED
						38	W10440814	Socket, Light

SHELF PARTS

FREEZER



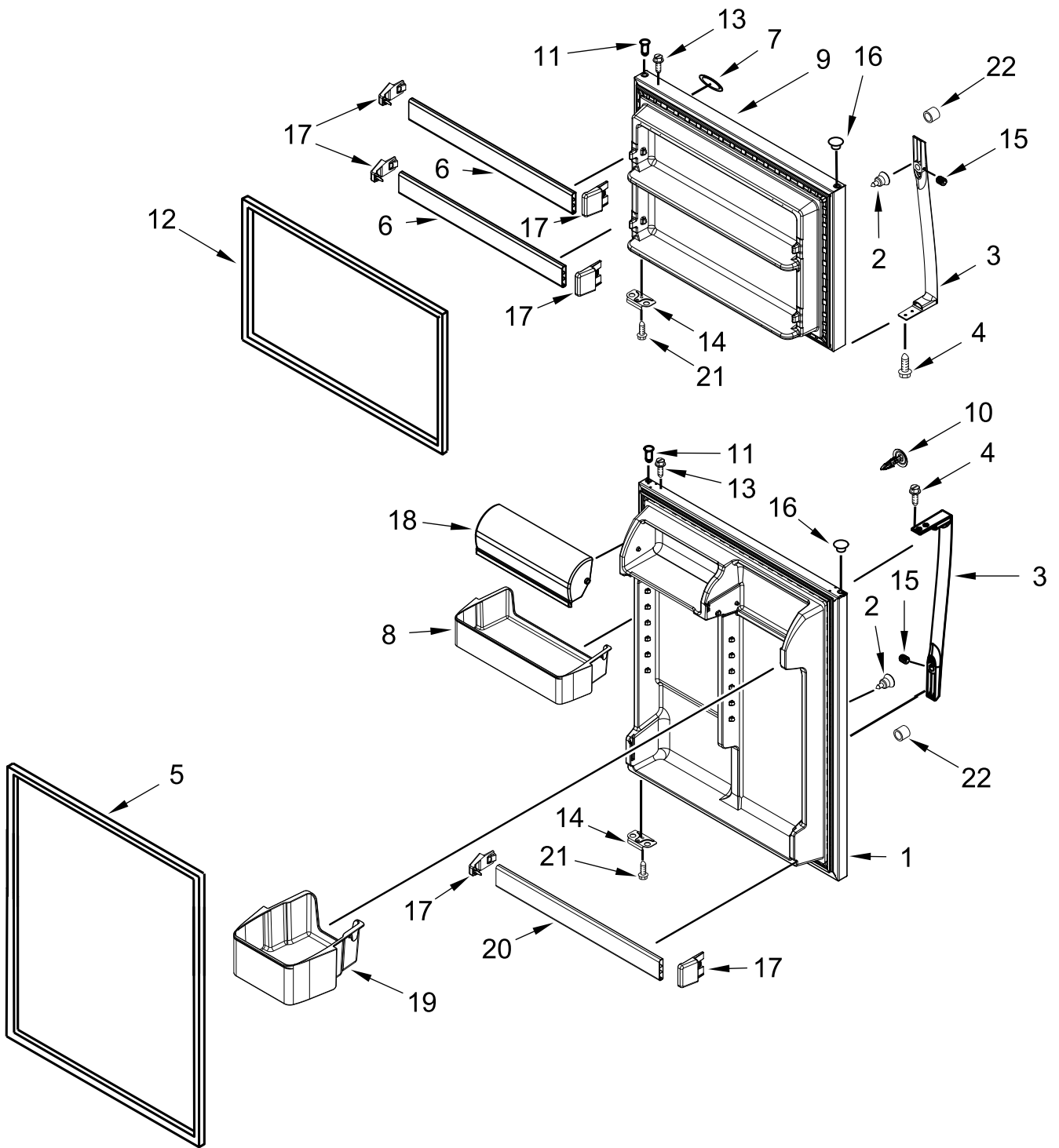
REFRIGERATOR



SHELF PARTS

<u>Illus.</u> <u>No.</u>	<u>Part No.</u>	<u>Description</u>	<u>Illus.</u> <u>No.</u>	<u>Part No.</u>	<u>Description</u>	<u>Illus.</u> <u>No.</u>	<u>Part No.</u>	<u>Description</u>
1	W10714006	Pan, Meat	8	W10694149	Track Rail, Left Hand	14	W10486291	Shelf, Freezer Glass
2	W10662133	Pan, Crisper	9	3400065	Screw (Stainless)	15	W11395919	Support, Freezer Shelf (Left Side)
3	W10356844	Control, Humidity	10	W10628712	Axle, Roller	16	W10694150	Rail, Center Track
4	W10663427	Pan, Crisper 16"	11	W10691487	Assembly, Shelf	17	W10628713	Roller, Pan
5	W11553156	Assembly, Shelf	12	W10628698	Holder, Meat Pan			
6	W11553155	Assembly, Shelf RC	13	W11395921	Support, Freezer Shelf (Right Side)			
7	W10694151	Track Rail, Right Hand						

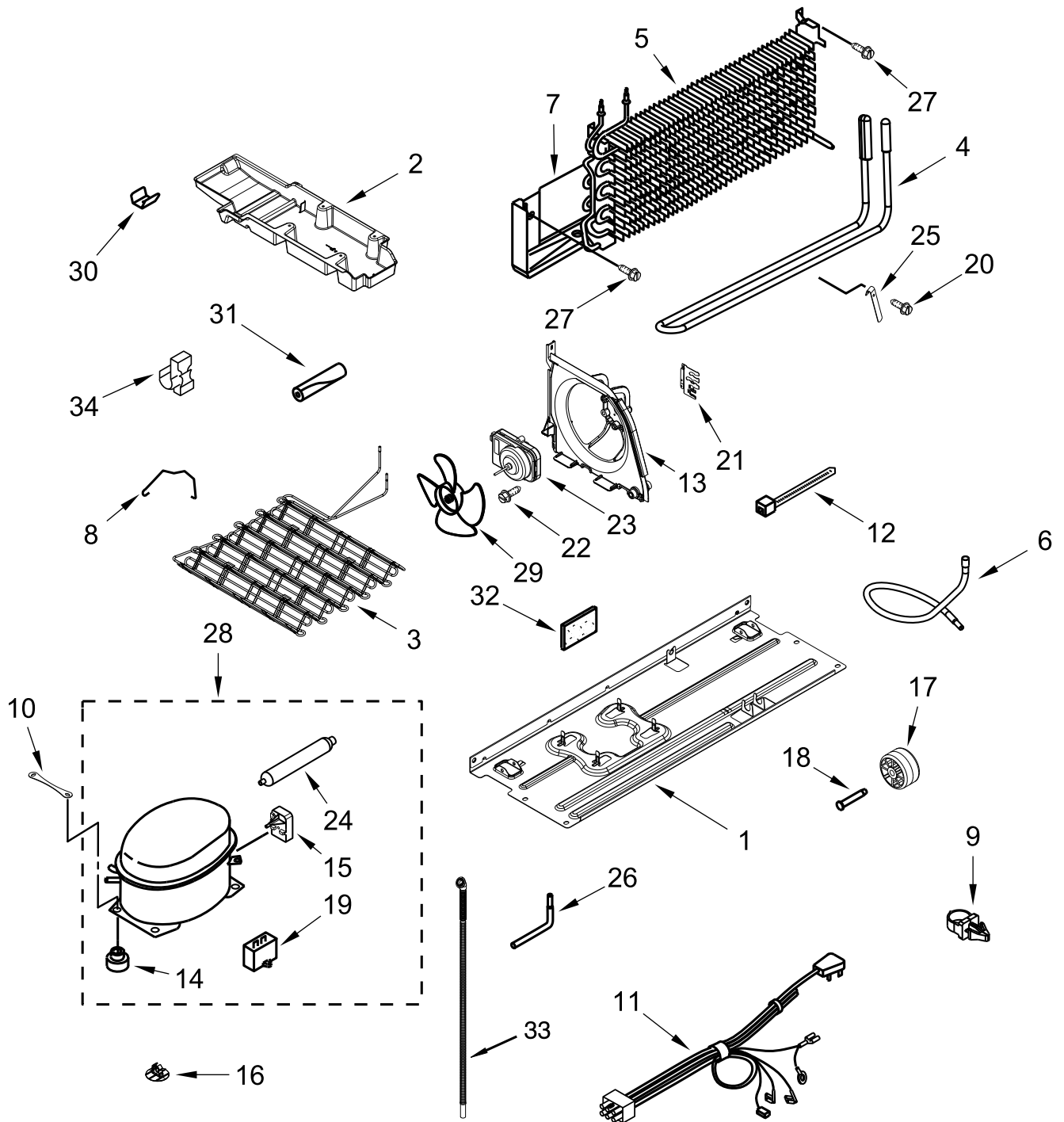
DOOR PARTS



DOOR PARTS

<u>Illus.</u> <u>No.</u>	<u>Part No.</u>	<u>Description</u>	<u>Illus.</u> <u>No.</u>	<u>Part No.</u>	<u>Description</u>	<u>Illus.</u> <u>No.</u>	<u>Part No.</u>	<u>Description</u>
1		Refrigerator Door (Includes Door Gasket)	8	W10308868	Bin, Large Door	15	690046	Screw, Set
	W10646224	White	9		Freezer Door (Includes Door Gasket)	16		Plug, Hinge Sleeve
	W10648575	Black		W10646225	White		2212648	White
	W10648584	Stainless		W10648577	Black		2212651	Black
2	489357	Screw		W10648583	Stainless		2254517	Grey
3		Handle, Door (Includes Illus. 15)	10		Plug, Hole	17	W10592153	Cap, Trim End
	W10580723	White		W10663736	White	18	W10601425	Compartment, Door
	W10656973	Black		W10663737	Black	19	W10308869	Bin, Medium
	W10653471	Stainless		W10663739	Grey	20	W10592148	Trim, Door
4	W10170540	Screw	11		Thimble, Top	21	489276	Screw
5		Gasket, Door		W10334042	Black	22	W10511911	Bushing, Handle
	W11406596	White	12		Gasket, Door			
	W11406604	Black		W11406593	White			
	W11406600	Grey		W11406601	Black			
6	W10592150	Trim, Door		W11406598	Grey			
7	W10884775	Badge	13	8281206	Screw			
			14	2189202	Bracket, Door Stop			

UNIT PARTS



UNIT PARTS

<u>Illus.</u> <u>No.</u>	<u>Part No.</u>	<u>Description</u>	<u>Illus.</u> <u>No.</u>	<u>Part No.</u>	<u>Description</u>	<u>Illus.</u> <u>No.</u>	<u>Part No.</u>	<u>Description</u>
1	W11396825	Baseplate	11	W11430967	Harness, Unit	25	W11399989	Heat Probe
2	W10802027	Tray, Drain	12	2263990	Tie, Wire	26	2174739	Tube, Process
3	W10609393	Condenser (Also Order the Following Lokring Parts)	13	W11509373	Bracket, Condenser Fan	27	489442	Screw
	W11578570	7/4.5 NR MS 00 (High Side to Condenser)	14	W10806346	Grommet, Compressor	28	W11332033	Compressor (Also Order the Following Lokring Parts)
	W11506624	4 NK MS 00 (Suction Line to Condenser)	15	W11359381	Device, Combination Start (Start Relay and Overload)		W11506619	8 NK MS 00 (Suction Tube to Compressor)
4	W11340898	Heater, Defrost	16	W10815861	Clip, Bottom Cover		W11578570	7/4.5 NR MS 00 (High Pressure Side to Compressor)
5	W11282685	Assembly, Evaporator (Also Order the Following Lokring Parts)	17	W10475495	Roller		W11506619	8 NK MS 00 (Process Tube to Compressor)
	W11504450	4/1.8 NR MS 00 (Capillary Tube to Evaporator)	18	2179826	Axle, Rivet	29	W10817071	Blade, Fan
	W11506619	8 NK MS 00 (Suction Line to Evaporator)	19	W10590083	Capacitor	30	W10248621	Clip, Condenser
6	W11518248	Tube, Suction	20	489478	Screw	31	W11449167	Sleeve
7	W11377819	Heat Shield	21	W11340313	Bracket, Evaporator	32	2215468	Insulation, Sound
8	W11495051	Strap, Bale	22	8533961	Screw	33	W11577795	Tube, Drain
9	2219077	Clip, Harness	23	W10909387	Motor, Condenser Fan	34	2326941	Clip, Wire
10	W10236396	Strap, Compressor	24	W10805035	Drier (Service Drier Without Dye) (Also Order the Following Lokring Parts)			REFRIGERANT CHARGE
				W11504445	5/4 NR MS 00 (Heat Loop to Drier)			47 grams (R600A)
				W11504447	5/1.8 NR MS 00 (Capillary Tube to Drier)			

OPTIONAL PARTS

<u>Illus. No.</u>	<u>Part No.</u>	<u>Description</u>	<u>Illus. No.</u>	<u>Part No.</u>	<u>Description</u>	<u>Illus. No.</u>	<u>Part No.</u>	<u>Description</u>
		FOLLOWING PARTS NOT ILLUSTRATED		503695	Cork, Sealer			Important: The spray paint is not to be used where the paint may make contact with the door gaskets.
				8003RP	Kit, Water Inlet			
978941		Insulation, Fiberglass (63 1/2" x 35 1/2" x 2 5/8")			PAINT, TOUCH-UP (1/2oz.)			
212643		Sealer, Gum (4 Feet)		72017	White	W10662124		Door Reversal Kit, White Model
479502		Tape, Vinyl (3/4 x 108")		72032	Black	W10676239		Door Reversal Kit, Black Model
876305		Insulation Kit (14 Pieces, 3" x 24" x 48")	W10134625	4392899	Biscuit and Bisque	W10676240		Door Reversal Kit Stainless Model
876370		Insulation (2 Pieces, 3" x 24" x 48")			Apollo Grey PAINT, PRESSURIZED SPRAY (12 oz.)			FIELD INSTALLABLE ICE MAKER
876029		Kit, Foam Slab (30" x 32 1/2" x 1 1/2")		350942	White Primer	W11698621		Complete Ice Maker Kit
505587		Sealer, Mastic (1 Qt)		350939	Enamel, Black			TORX SCREW WRENCH
511873		White Porcelain (2 oz.)		350930	White			
542638		Grease, Silicone (1/2 Oz.)		4392901	Biscuit and Bisque	1117510		Torx Key
542639		Cement, Alumilastic (1 1/4 Oz.)			Important: The spray paint is not to be used where the paint may make contact with the door gaskets.			
606755		Bag			PAINT, BULK (1 qt.)			
833938		Kit, Terminal Connector		799344	White (Uncut)			
				4392900	Biscuit/Bisque			