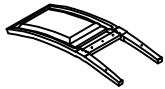



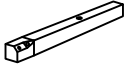

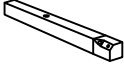





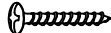


ASSEMBLY INSTRUCTION

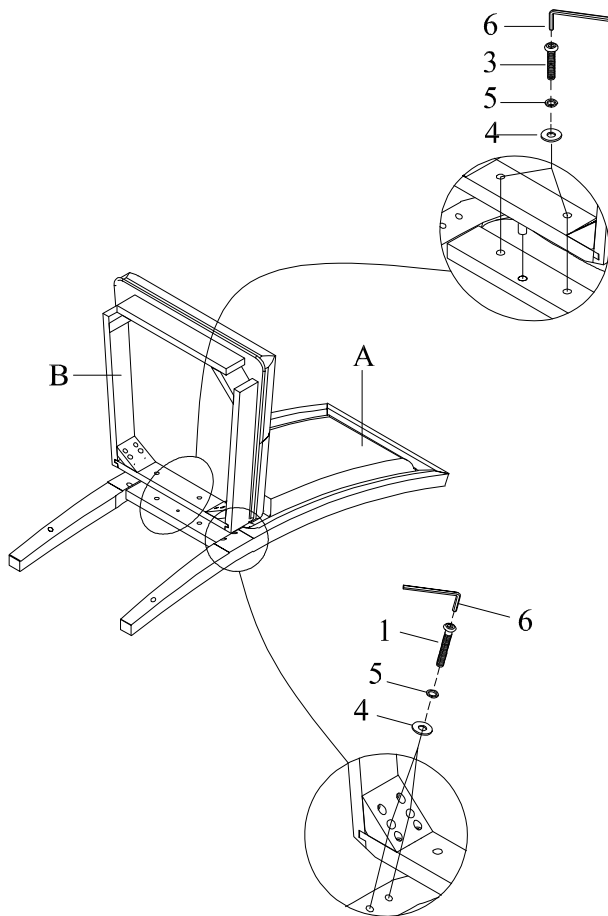
JEFFRIES SIDE CHAIR

2070S

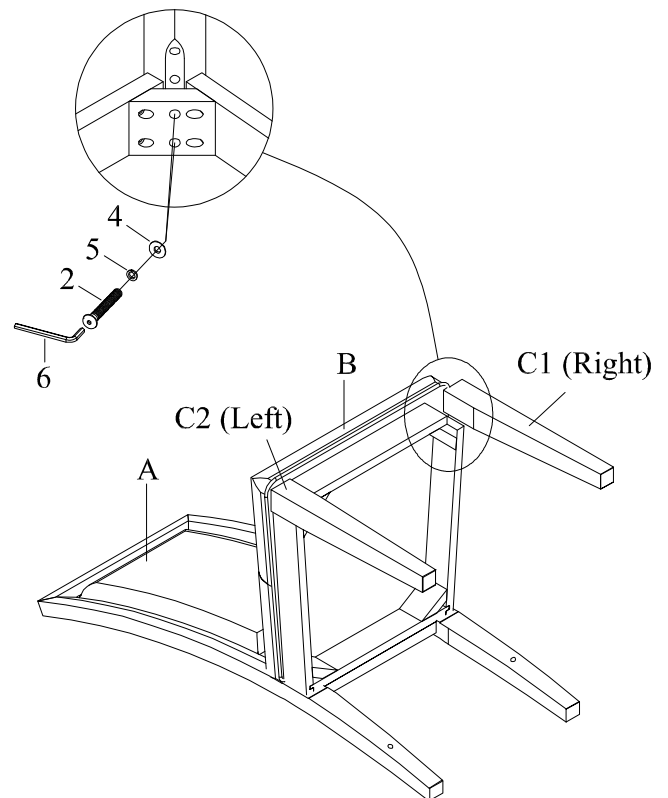
PARTS LIST				HARDWARE LIST			
NO.	PART DESC		QTY	NO.	HARDWARE DESC		QTY
A	CHAIR BACK		1	1	 ALLEN BOLT (1/4"x70mm)	CHAIR	4
B	SEAT		1	2	 ALLEN BOLT (1/4"x55mm)		4
C1	RIGHT SIDE FACING (RSF) LEG		1	3	 ALLEN BOLT (1/4"x38mm)		2
C2	LEFT SIDE FACING (LSF) LEG		1	4	 FLAT WASHER (1/4"x19mm)		10
D1	RIGHT SIDE FACING (RSF) STRETCHER		1	5	 SPRING WASHER (1/4"x11mm)		10
D2	LEFT SIDE FACING (LSF) STRETCHER		1	6	 ALLEN KEY (M5)		1
				7	 WOOD SCREW (Ø8x38mm)		4

NOTES : Do not fully tighten any bolts until last step

STEP 1



STEP 2



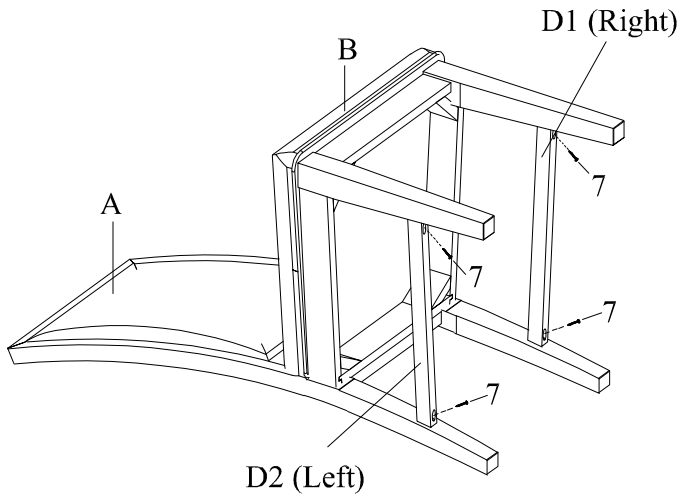
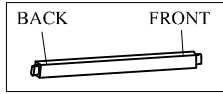
ASSEMBLY INSTRUCTION

JEFFRIES SIDE CHAIR

2070S

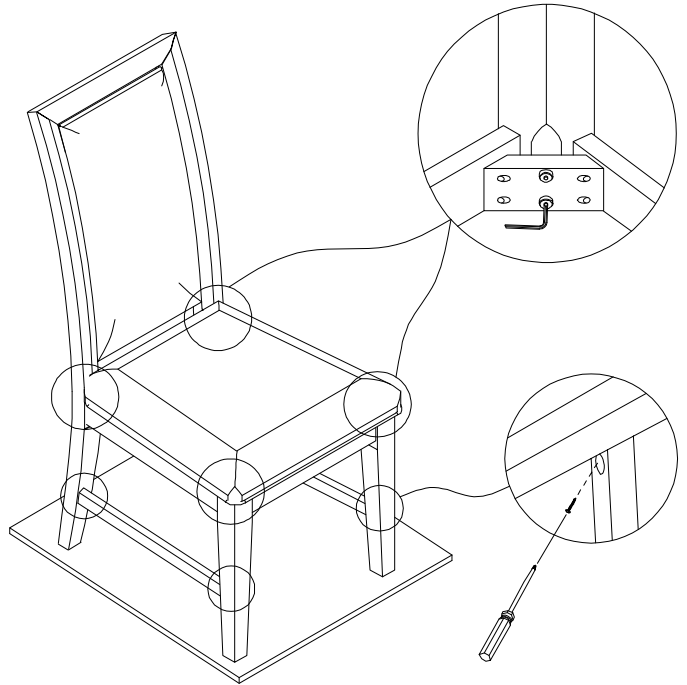
STEP 3

For side stretchers, Straight mortise head face front,
Curved mortise head for back



STEP 4

* Tighten the bolts and screws



STEP 4

