

**3036RR • 36" Solid Door Refrigerator • Modular 3000 Series**

**FEATURES & BENEFITS**



STAINLESS SOLID



INTEGRATED SOLID



INTEGRATED SOLID (STAINLESS HANDLELESS PANEL)\*

<b>PERFORMANCE</b>	<ul style="list-style-type: none"> <li>• Volume of 6.9 cu ft holds up to 136 bottles (12 oz) or 208 cans (12 oz)</li> <li>• Temperature range: 34°F - 70°F</li> <li>• Convection cooling system rapidly and efficiently takes items to the set temperature</li> <li>• U-Select® Control offers five distinct modes: Beverage: 34°F - 65°F, Deli: 34°F - 40°F, Market: 34°F - 40°F, Pantry: 34°F - 70°F, Root Cellar: 45°F - 55°F</li> <li>• U-Select® Control with digital OLED display</li> <li>• Independently controlled dual-zones</li> </ul>
<b>INTERIOR/EXTERIOR</b>	<ul style="list-style-type: none"> <li>• Black interior is illuminated with LED theater lighting</li> <li>• Three full-extension, slide-out drawers in each compartment are removable for easy cleaning</li> <li>• The middle bins have two possible positions and come with a removable glass insert to keep products stable</li> <li>• The lower bins are large enough to fit 2 one-gallon containers with additional space for more storage</li> <li>• Standard commercial stainless steel handle is interchangeable with professional handle accessory</li> </ul>
<b>INTEGRATION</b>	<ul style="list-style-type: none"> <li>• Robust, concealed and covered hinges with built-in door stop and closer</li> <li>• Adjustable grille can be shifted front-to-back and up-and-down</li> <li>• Integrated model requires ¾" custom panel of your choice, or can accept U-Line Euro Style Handleless Stainless Panel Accessory (must be ordered separately)</li> <li>• Grille can accept an integrated toe-kick</li> <li>• Four independently adjustable leveling legs</li> </ul>

**MODEL DETAILS**

Model	Voltage/Hz	Door Swing	Finish	Shipping Weight
U-3036RRS-00B	115 / 60	Double Doors	Stainless Solid	221 lb
U-3036RRINT-00B	115 / 60	Double Doors	Integrated Solid	205 lb

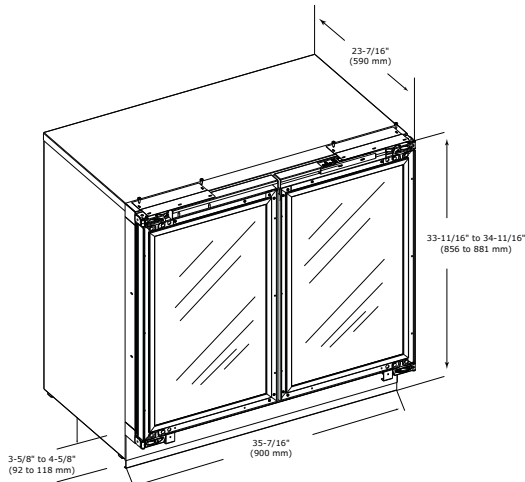
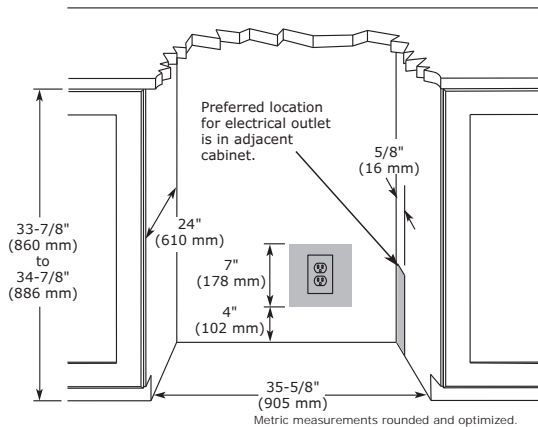
**ACCESSORIES**

Model	Description	Finish	Shipping Weight
80-54247-00	Professional Door Handle, 1 ¼" Diameter (single handle)	Stainless	2 lb
80-54363-00	18" Slide and Divide Bin Organizer	N/A	2 lb
U-ESP45S*	Euro Style Handleless Panel, 18" Solid (single panel)	Stainless	9 lb

\*Installs on integrated models, 2 panels required.

**Modular 3000 Series • 36" Solid Door Refrigerator • 3036RR**
**DIMENSIONS**

Dimensions shown apply to all finishes, including Integrated (INT) models with 3/4" integrated panel/frame installed.


**CABINET CUT-OUT**

**INSTALLATION NOTES**

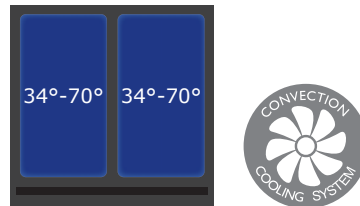
When installing adjacent to wall, ensure 2 1/2" clearance on hinged side for 90° door opening, allowing ample room for door handle.

No additional clearance around sides, top or rear of unit is needed for ventilation.

Do not obstruct front grille air flow.

**SPECIFICATIONS**

Model	3036RR
Amps: Running	1.2
Capacity: Bottle (12 oz)	136
Capacity: Can (12 oz)	208
Capacity: Volume (cu ft)	6.9
Control Type	U-Select®
Dimensions: Product Depth	23 7/16" / 590 mm
Dimensions: Product Height	33 11/16" / 856 mm
Dimensions: Product Width	35 7/16" / 900 mm
Energy Consumption: Avg. Per Year	290 kWh
ENERGY STAR / CEE RATING	ENERGY STAR / Tier 1
Panel Height	30" / 762 mm
Panel Thickness	3/4" / 20 mm
Panel Type	Solid Panel
Panel Width	17 5/8" / 445 mm
Product Weight: Max	197 lb
Refrigerant Type	R600a
Sabbath (Star K Certified)	Yes
Temperature Range	34°F - 70°F

**COOLING SYSTEM**

**ELECTRICAL REQUIREMENTS**

This unit requires a grounded, polarized 115 VAC, 60 Hz, 15 A power supply (normal household current).



Warranty

Please visit [u-line.com](http://u-line.com) to view this model's User Guide & Service Manual. All Specifications are subject to change without notice.