

## OG 36

## FEATURES

Three individually contained grill burners and one rotisserie burner for versatile cooking

Utilizes both direct and radiant heat for more thorough grilling

Two-position rotisserie handles foods big and small

Heavy-duty stainless steel construction

Available built-in or freestanding

Rigorously tested in our U.S. manufacturing facilities for decades of use

Exceptional 24/7 support from our Customer Care team in Madison

Infrared sear zone seals in juices and flavors

Halogen lights for night-time grilling

Double-wall hood front holds in heat

Hood assist system makes opening and closing easy

Three-position warming rack for the exact temperature you want

Stainless steel burner grates

Three individually contained grill burners and one rotisserie burner for versatile cooking

## ACCESSORIES

36" Grill Liner

814087

814088

814089

814090

814091

814092

814093

814743

814805

814806

Black Knobs

Built-In Cover

Cart Cover

Griddle Plate

Stainless steel portable grill cart with fold-down side shelves

Stainless steel doors and drawers for built-in enclosure

Accessories available through an authorized dealer.

For local dealer information, visit [subzero-wolf.com/locator](http://subzero-wolf.com/locator).



## KNOB OPTIONS



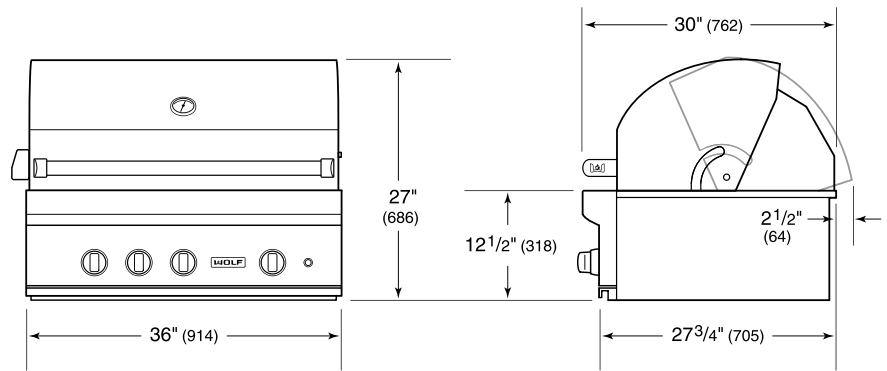
## GRILL SPECIFICATIONS

- 2 - 25,000 Btu Burners
- 1 - 25,000 Sear Burner
- 1 - 14,000 Btu Rotisserie Burner

**PRODUCT SPECIFICATIONS**

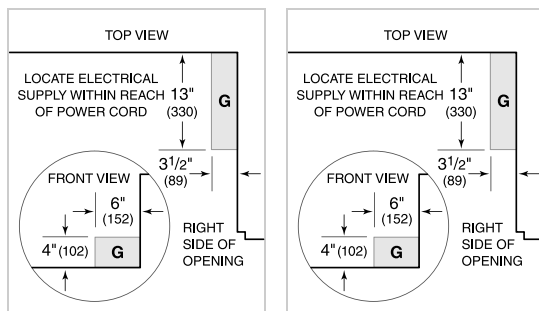
Model	OG36
Dimensions	36"W x 27"H x 30"D
Weight	247 lbs
Electrical Supply	120 VAC, 60 Hz
Electrical Service	15 amp dedicated circuit
Gas Supply	3/4" ID line
Gas Inlet	1/2" NPT female
Power Cord Length	5 Feet
Receptacle	3-prong grounding-type

**DIMENSIONS**



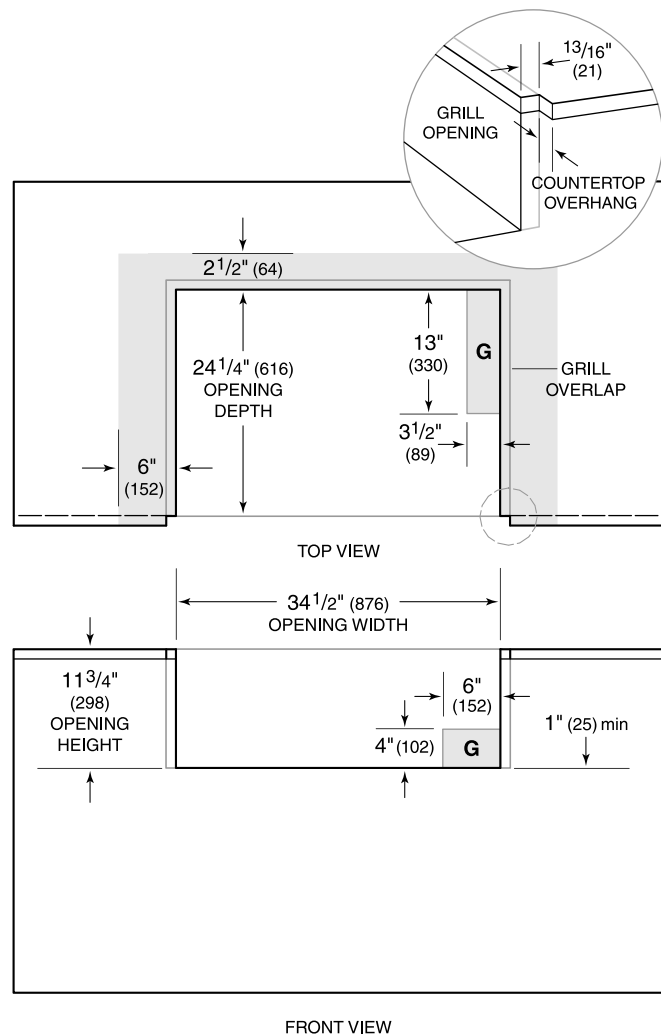
**ELECTRICAL**

**GAS**



NOTE: Dimensions in parenthesis are in millimeters unless otherwise specified

**STANDARD INSTALLATION**



NOTE: Shaded area above countertop indicates minimum clearance to combustible surfaces, combustible materials cannot be located within this area.