

DW18S2IXV

DISHWASHER 18" STANDARD TUB STAINLESS PANEL AND BAR HANDLE
V TIER



Energy Star rated stainless-steel standard tub dishwasher able to fit up to 8 place settings.

Customizable and effective washing and drying with 6 washing cycles, 5 washing options and ActiveDry system.

NSF-certified Sanitize option elevates washing temperature to 155°F for perfect and sanitized cleaning, eliminating 99.9% of all common household bacteria.

Dual pump system and triple-stage metal filter ensures consistent cleaning results.

Choose Professional or Master Series handle kit to match your cooking and refrigeration appliances.

PRODUCT FEATURES

Style	Stainless steel no fingerprint, standard tub
Interior finish	Stainless steel
User interface	Concealed loop button control
Display	White LED
Place settings	8
Racks	2: height adjustable not loaded middle rack and folding tines lower rack
Silverware basket	Yes - removable
Delayed start	Yes - 1-19h
Wash cycles	6 - auto, crystal and china, pots and pans, quick, regular, rinse and hold
Wash options	5 - extra dry, delay start, 1 half load mode, sanitize, scrub
Spray arms	2
Drying system	ActiveDry
Heating element	Concealed
Filter	Triple stage metal filter
Overflow protection device	Yes

TECHNICAL SPECIFICATIONS

Approvals	ADA Compliant, CEC, NSF, UL
Energy star	Yes - tier 1 - 239.0 kwh/yr
Sound rating	51 dB(A)
Electrical requirements	120 V , 60 HZ, 1400 W, 12 A
Packaging dimensions	H: 33 11/16" - W: 20 1/16" - D: 26 9/16"
Weight	Net: 68.8 lbs - Gross: 73.2 lbs
Warranty	2 years parts & labor

ACCESSORIES

HK18PRODWX	Handle kit - Professional series
HK18MASDWX	Handle kit - Master series



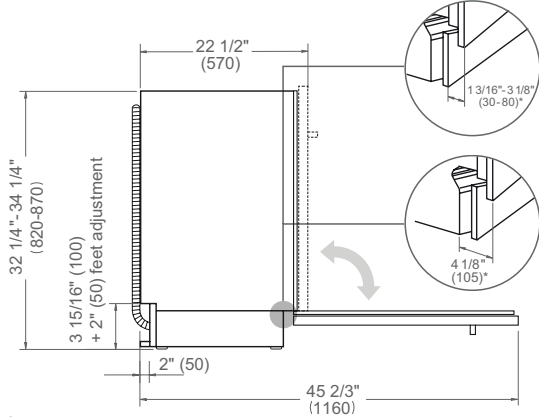
DW18S2IXV

DISHWASHER 18" STANDARD TUB STAINLESS PANEL AND BAR HANDLE
V TIER



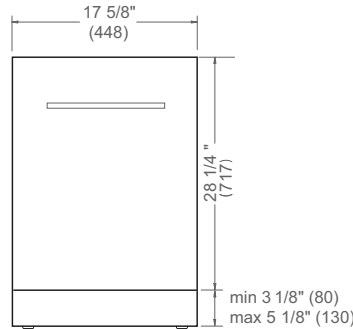
PRODUCT DIMENSIONS

SIDE VIEW

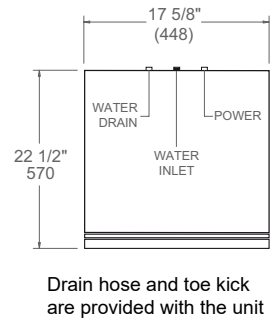


* including the door

FRONT VIEW

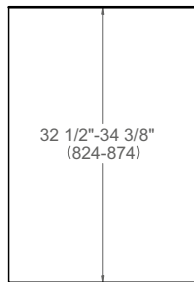


TOP VIEW

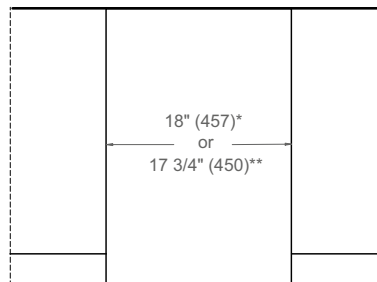


CUTOUT DIMENSIONS

SIDE VIEW

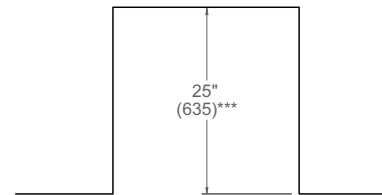


FRONT VIEW



* with vertical side trims installed
** without vertical side trims

TOP VIEW

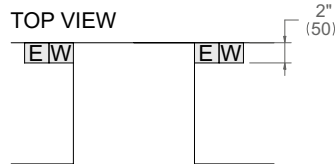


*** For a flush installation, a minimum inset depth of 22 1/2" (570) is required.

ELECTRICAL & WATER CONNECTION

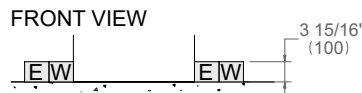
E

A properly-grounded, horizontally-mounted electrical receptacle should be installed according to this drawing.



W

To connect the water mains to the water inlet valve thread, use a 3/8" water inlet hose and 3/4" metal adapter with a length of 60" (1524) (not supplied).



Connections placement must be located on either side of the cutout.

Dimensions in parentheses are millimeters unless otherwise specified.

INSTALLATION REQUIREMENTS

Follow local codes & ordinances for drain requirements. Install a waste line with an air gap (not supplied) or, alternatively, at least 30" (762) high drain loop to prevent backflow. Drain hose is 74" (1880) long. Drain hose must be connected at minimum 20" (508) from the floor.

For complete installation details refer to the installation manual at us.bertazzoni.com or ca.bertazzoni.com

Disclaimer: while every effort has been made to ensure the accuracy of the information contained in this document, Fratelli Bertazzoni reserves the right to change it at any time without notice. For detailed installation instructions, consult the installation manual. Fratelli Bertazzoni, Bertazzoni and the winged wheel brand icon are registered trademarks of Bertazzoni Spa.