

# ASSEMBLY INSTRUCTIONS

## Questions?

GIVE US CALL: 1-888-980-5122  
MON-FRI 8:30AM - 5:30PM (PST)

### TOOLS REQUIRED



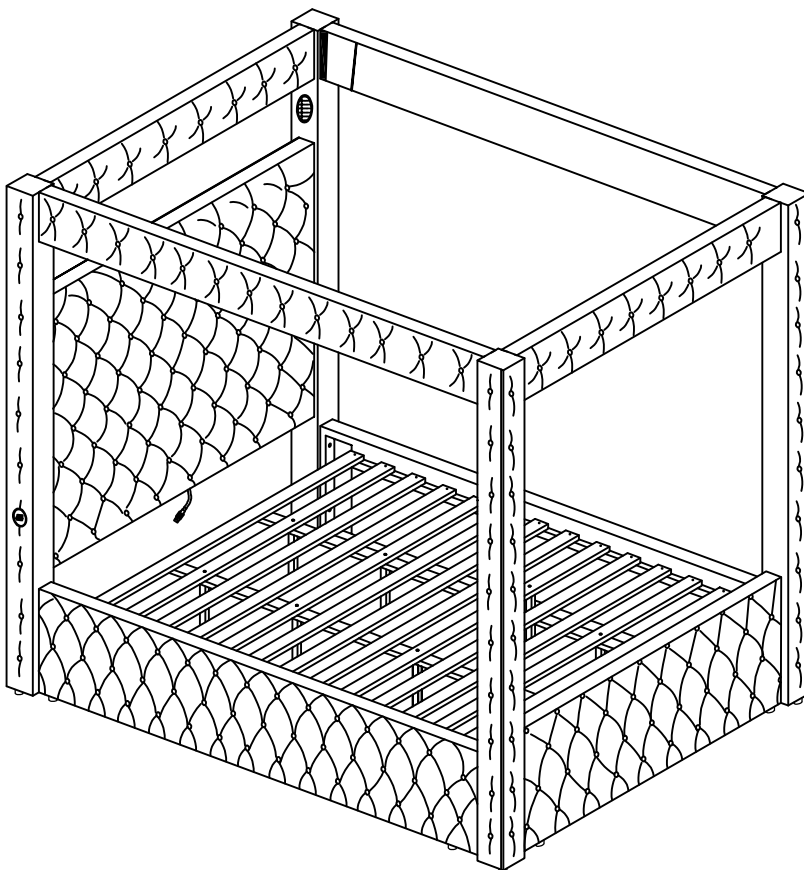
Allen Wrench

(Included)



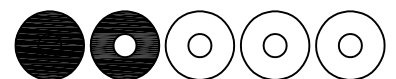
Phillips  
Screwdriver

(Not Included)



2 – Persons  
Recommended

### ASSEMBLY RATING



EASY ————— DIFFICULT

The Assembly Rating is a 5-point system showing the level of effort needed to assemble a specific product.



FOA Intro

Thank you for your purchase!

We hope you enjoy this new addition to your home for many years to come.

Our commitment to providing quality products does not simply end when you purchase our product. We fully stand behind our products from start to finish. Our customer service department is available Monday – Friday 8:30 AM – 5:30 PM Pacific and can help with assembly questions as well as, if necessary, replacing damaged or missing parts. To help expedite our service, please have these assembly instructions readily available, along with your order receipt.



Consumer Hotline  
Toll-Free 1-888-980-5122



Monday to Friday  
8:30AM- 5:30PM (PST)



WEBSITE  
[www.foagroup.com](http://www.foagroup.com)



E-MAIL  
[cs.ec@foagroup.com](mailto:cs.ec@foagroup.com)



foagroup



FurnitureOfAmerica



## CHECK BEFORE STARTING



### Are you missing anything?

Double-check all parts, hardware and accessories listed on Page 6 are accounted for.



### Check out our Quick Tips!

We recommend reviewing the pre-assembly handouts. Even experts need a refresher now and then!



### Should we send any replacements?

Are there any irregularities or flaws in the parts? We can send replacements!



### Prep Time!

Please review the assembly instructions and all diagrams prior to assembling. Set up your workspace by laying the parts and hardware out separately, then begin!

# PRE ASSEMBLY INTRODUCTION

We understand building ready-to-assemble furniture can be a challenging experience for some. To help avoid confusion, we have provided some helpful tips that may speed up the process.



## Teamwork

ALWAYS have at least two people to help with transporting and assembling the product to avoid potential injury and/or damage.



## Suitable Location

Assembling near the area of the intended location is highly recommended.



## Sufficient Space

Make sure you have enough space to move around during the assembly.



## Avoid Scratches

Use cardboard, blankets or a carpeted area while assembling furniture to prevent scratches.



## Flat Surface

Make sure the furniture rests on a flat and level surface with each leg evenly touching the floor.

# ASSEMBLY AND CARE ADVICE



**FAILURE TO FOLLOW THE GUIDELINES BELOW MAY RESULT IN INJURY AND/OR PROPERTY DAMAGE.**



Position each part correctly and insert screws or bolts into their respective holes.



Turn clockwise to tighten and only tighten when step is completed or when instructed to do so.



Use the appropriate hand tools or power tools for assembly. Select steps, such as tightening screws and/or bolts, may require hand tools to avoid causing damage during assembly.



Save the instructions and store any supplied tools for later maintenance.



After two weeks, check and tighten any loose hardware and repeat again every six months thereafter.

IT IS THE OWNER'S RESPONSIBILITY TO MAINTAIN THE FURNITURE. THE HARDWARE MAY LOOSEN OVER TIME AND MAY CAUSE THE FURNITURE TO BE WEARLY AND UNABLE TO SUPPORT ITS INTENDED WEIGHT CAPACITY. THIS MAY LEAD TO CHIL DROPS AND MAY CAUSE SERIOUS INJURY.

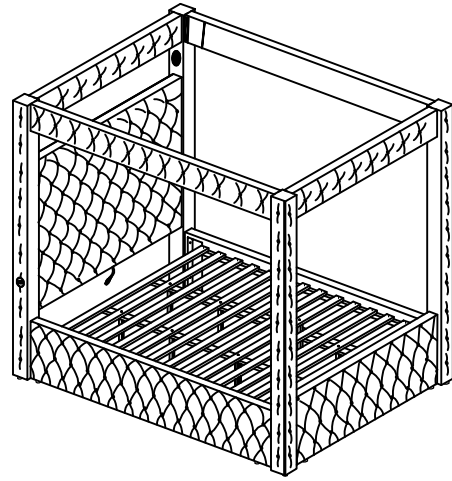


# BED

CM7482-Q/K

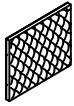


- Please keep instructions for future reference.
- Check the quantity and irregularity of parts and hardware before you start.



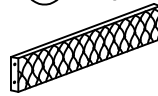
## PARTS

#1 x 1pc



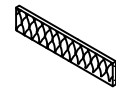
Headboard

#2 x 1pc



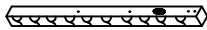
Footboard

#3 x 2pcs



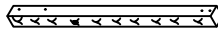
Side Rail

#4 x 2pcs(L+R)



HB Columns

#5 x 2pcs(L+R)



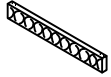
FB Columns

#6 x 2pcs



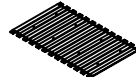
Upper Long Panels

#7 x 2pcs



Upper Short Panels

#8 x 1set



Slat (13pcs)

#9 x 8pcs



Support leg

#10 x 2pcs



Support Rail

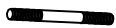
#11 x 10pcs



Leg

## HARDWARE

#A x 32pcs



Threaded Stud  
Ø5/16" x 3-1/8"

#B x 32pcs



Flat Washer  
Ø5/16" X 22MM

#C x 32pcs



Spring Washer

#D x 32pcs



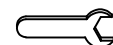
Hex Nut Ø5/16"x12MM

#E x 26pcs



Screw M4X38MM

#F x 1pc



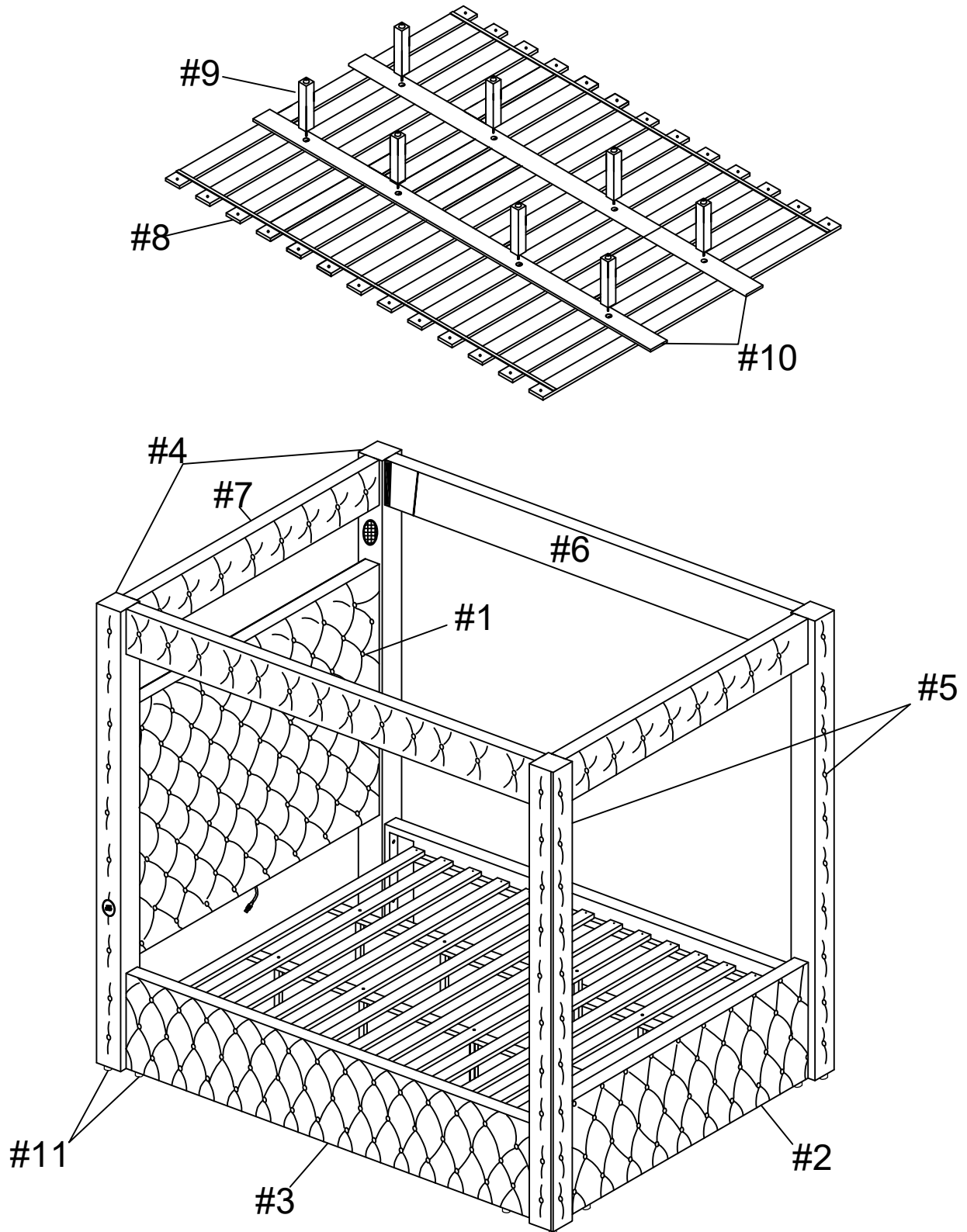
Wrench 12MM

#G x 1set

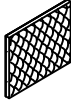
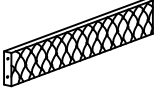




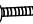
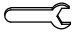

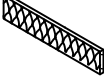
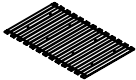



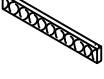
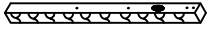
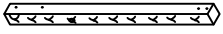


Power line

# Exploded View



# CM7482-Q/K is packed in 4 cases

Carton	Disignation	Part		Hardware
CM7482-1	Headboard	#1		
CM7482-2	Footboard	#2		#A  32 PCS #B  32 PCS #C  32 PCS #D  32 PCS #E  26 PCS #F  1 PC #G  1 set
	Side Rail	#3		
	Slat (13pcs)	#8		
	Support leg	#9		
	Support Rail	#10		
	Leg	#11		
	CM7482-3	Upper Long Panels	#6	
Upper Short Panels		#7		
CM7482-4	HB Columns	#4		
	FB Columns	#5		

# ASSEMBLY INSTRUCTIONS

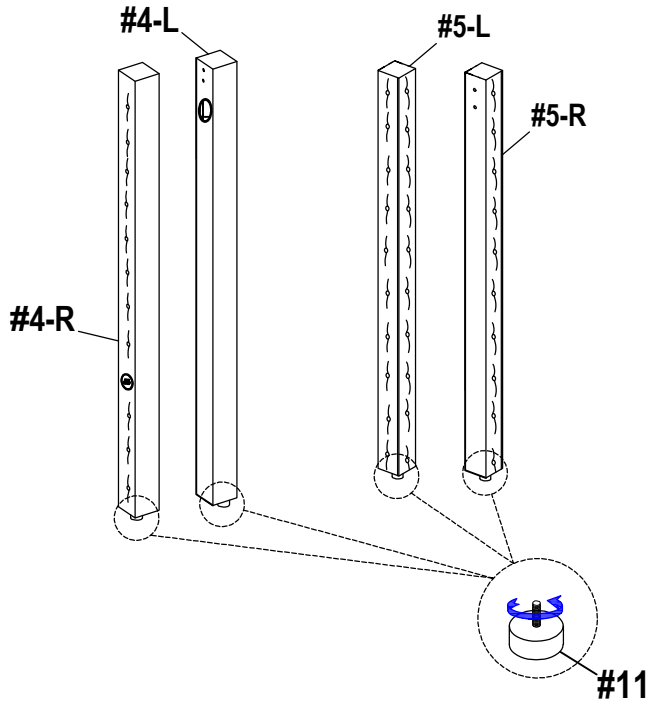
# 1

Part #4 x2pcs (L+R)

Part #5 x2pcs (L+R)

Part #11 x4pcs

Twist on the leg (#11) to the HB and FB columns (#4,#5).



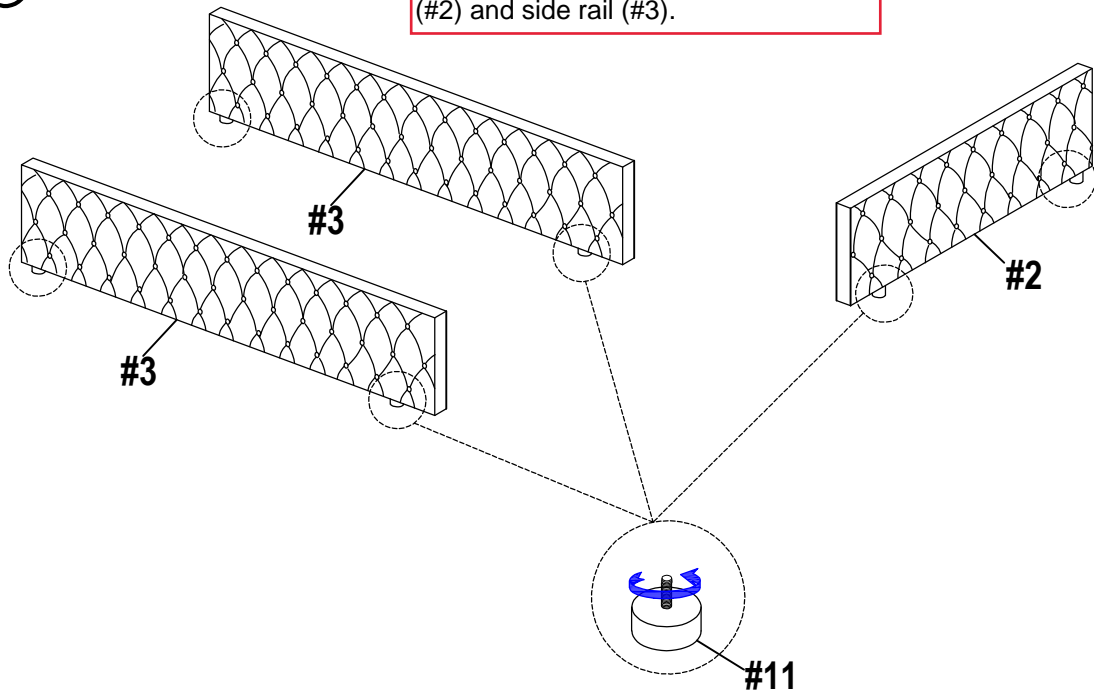
# 2

Part #2 x 1pc

Part #3 x 2pcs

Part #11 x6pcs

Twist the leg (#11) onto the footboard (#2) and side rail (#3).





## ASSEMBLY INSTRUCTIONS

### 3

Part #1 x 1pc

Part #4 x 2pcs (L+R)

Hardware #A x 4pcs

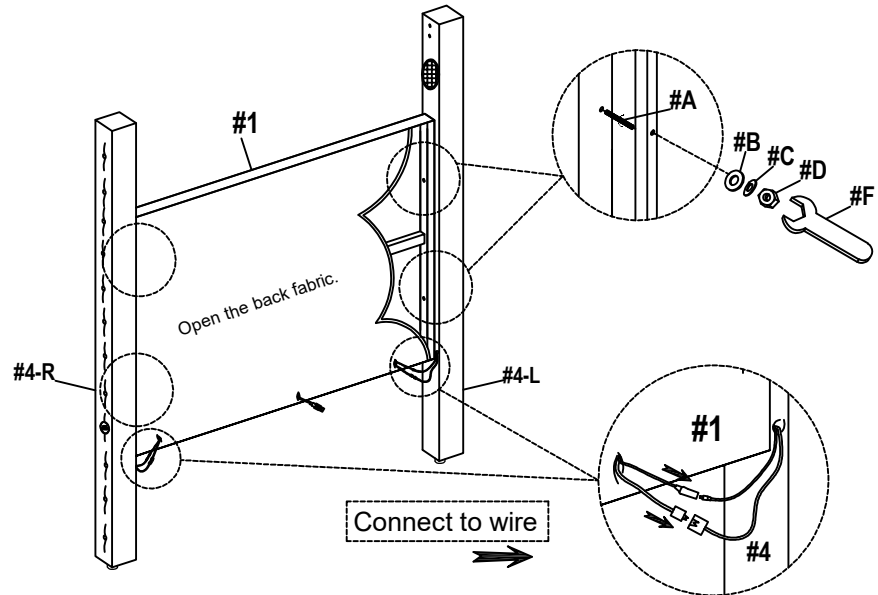
Hardware #B x 4pcs

Hardware #C x 4pcs

Hardware #D x 4pcs

Hardware #F x 1pc

Attach the Threaded stud (#A) to the HB Columns (#4). Align the HB Columns (#4) to the Headboard (#1) and secure by using Flat washer (#B), Spring washer (#C) and Hex nut (#D).



### 4

Part #2 x 1pc

Part #3 x 2pcs

Part #5 x 2pcs (L+R)

Hardware #A x 12pcs

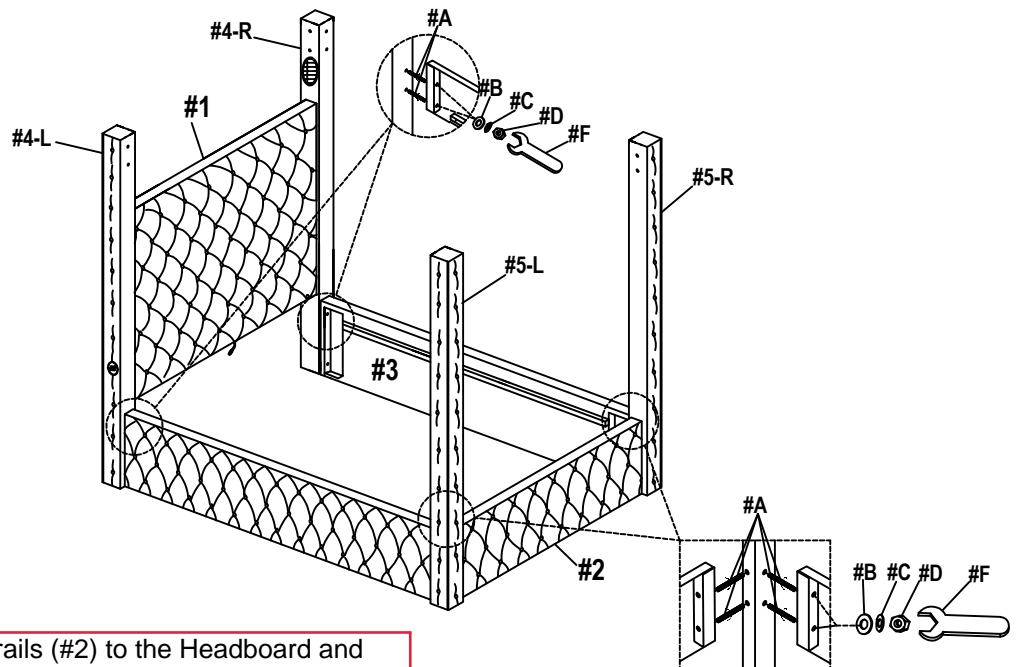
Hardware #B x 12pcs

Hardware #C x 12pcs

Hardware #D x 12pcs

Hardware #F x 1pc

4-1 Attach the Threaded stud (#A) to the FB Columns (#5). Align the FB Columns (#5) to the Footboard (#2) and secure by using Flat washer (#B), Spring washer (#C) and Hex nut (#D).



4-2 Align the Side rails (#2) to the Headboard and Footboard Columns (#4,#5) and secure by using the Threaded Stud (#A) with Flat washer (#B), Spring washer (#C) and Hex nut (#D).

## ASSEMBLY INSTRUCTIONS

### 5

Part #6 x 2pcs

Part #7 x 2pcs

Hardware #A x 16pcs

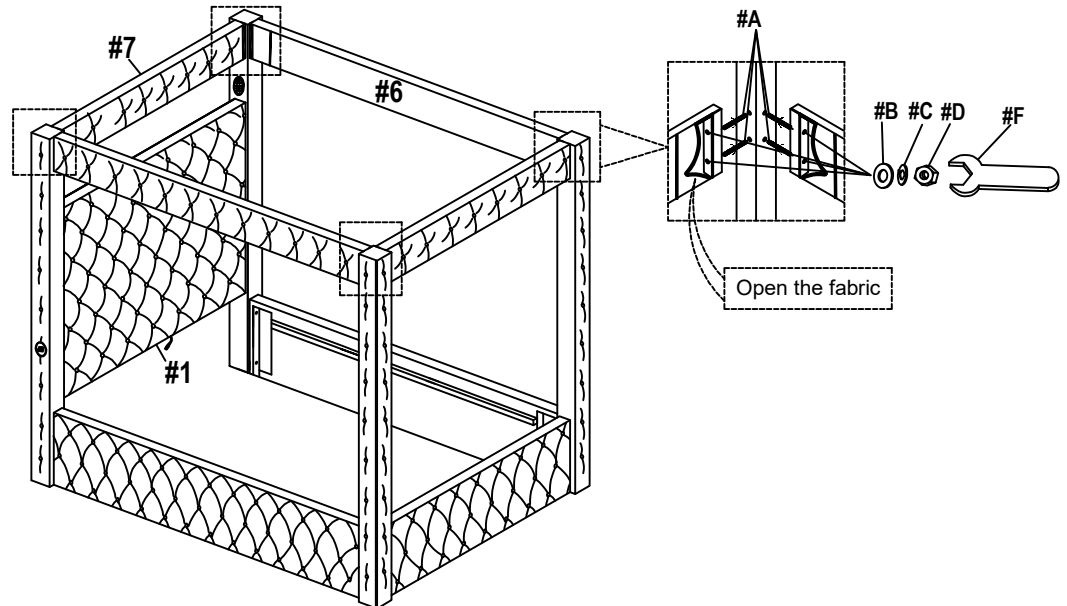
Hardware #B x 16pcs

Hardware #C x 16pcs

Hardware #D x 16pcs

Hardware #F x 1pc

Attach the Threaded Stud (#A) to the HB and FB columns (#4,#5). Then align the the Upper long and Upper short panels (#6,#7) to the Columns and secure with Flat washer (#B), Spring washer (#C) and Hex nut (#D).



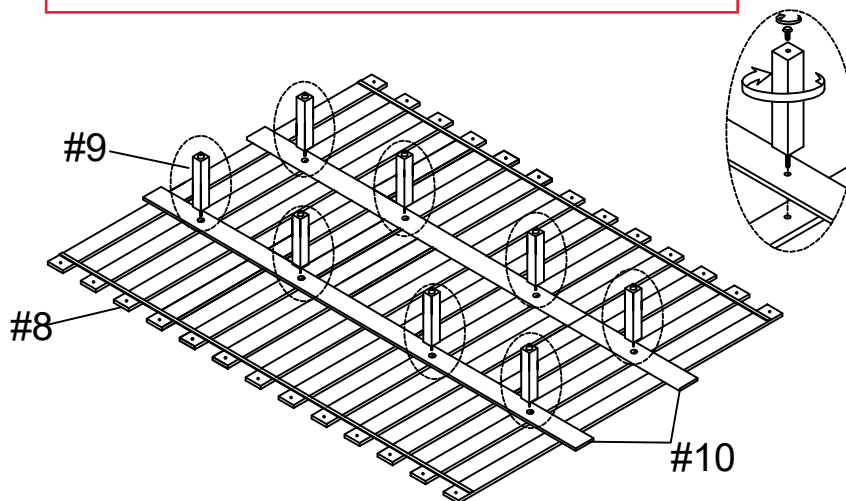
### 6

Part #8 x 1set

Part #9 x 8pcs

Part #10 x 2pcs

Align the Support rail (#10) onto the Slat (#8). Secure by twisting the Support leg (#9) through the Support rail (#10) and onto the Slat (#8).

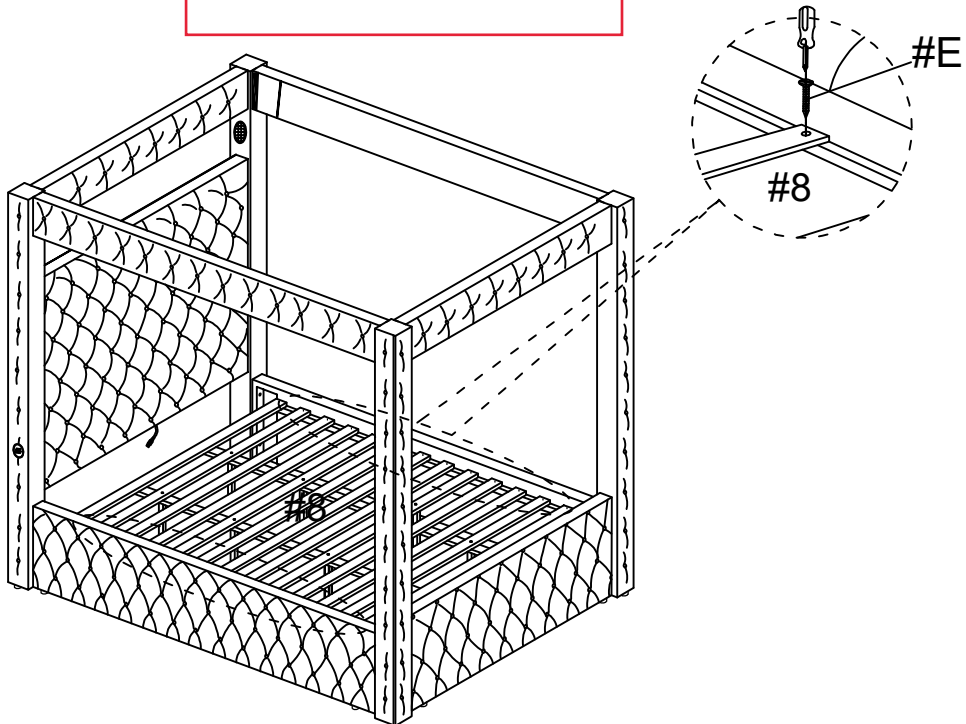


## ASSEMBLY INSTRUCTIONS

# 7

Hardware **#I** x26pcs

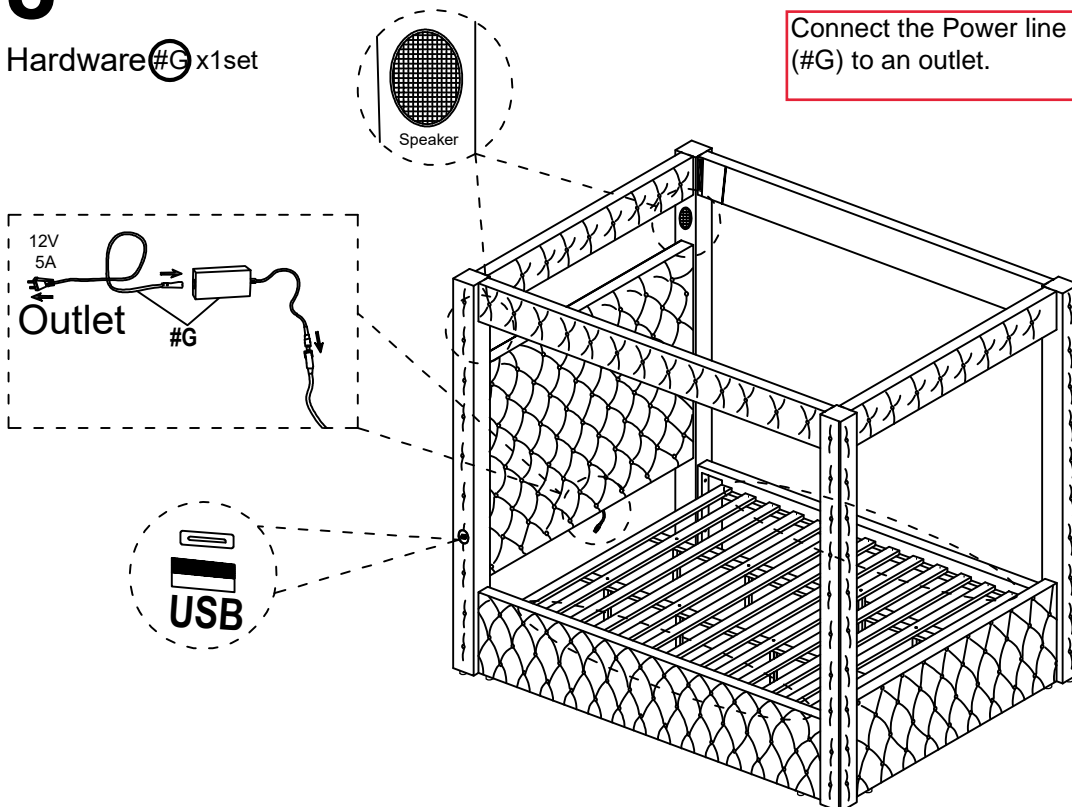
Align Slat assembly (**#8**) onto the Side rails (**#3**) and secure by using Screw (**#E**).



# 8

Hardware **#G** x1set

Connect the Power line (**#G**) to an outlet.



### ASSEMBLY COMPLETED

Please ensure the furniture rests on an even and flat surface. If the product wobbles or feels loose, double-check all bolts and/or screws are properly tightened and secured.

#### Keep this handy!

Please retain this instruction manual and any order-related information for future reference.

This product is intended for RESIDENTIAL USE ONLY and not for commercial use.