

Installation Instructions

Downdraft Vent System Black Stainless Trim Kit

UXB630BPTS and UXB636BPTS

If you have questions, call GE Appliances at 800.GE.CARES (800.432.2737) or visit our website at: GEAppliances.com.

⚠ WARNING Use in unapproved appliance may result in risk of fire or electric shock. This Downdraft Vent System Black Stainless Trim Kit should be used only with GE Appliances Downdraft Vent System UVD6301 and UVD6361 series.

BEFORE YOU BEGIN

Read these instructions carefully and completely.

- **IMPORTANT** — Save these instructions for local inspector's use.
- **IMPORTANT** — Observe all governing codes and ordinances.
- **Note to Installer** – Be sure to leave these instructions with the consumer.
- **Note to Consumer** – Keep these instructions for future reference.
- **Skill Level** – Installation of this Downdraft Vent System Black Stainless Trim Kit requires basic mechanical skills. Proper installation is the responsibility of the installer. Product failure due to improper installation is not covered under the GE Appliances Warranty.

GROUNDING INSTRUCTIONS

This appliance must be grounded. In the event of an electrical short circuit, grounding reduces the risk of electric shock by providing an escape wire for the electric current. This appliance is equipped with a cord having a grounding wire with a grounding plug. The plug must be plugged into an outlet that is properly installed and grounded.



⚠ WARNING Improper grounding can result in a risk of electric shock. The appliance must be grounded. The plug must be plugged into an outlet that is properly installed and grounded. Consult a qualified electrician if the grounding instructions are not completely understood, or if doubt exists as to whether the appliance is properly grounded. Do not use an extension cord. If the power supply cord is too short, have a qualified electrician install an outlet near the appliance.

TOOL NEEDED



Flat blade and
Phillips head screwdrivers

PARTS INCLUDED

| PART | | QUANTITY |
|---|---------------------------|----------|
|  | Black Stainless Trim | 1 |
|  | Installation Instructions | 1 |

READ AND SAVE THESE INSTRUCTIONS

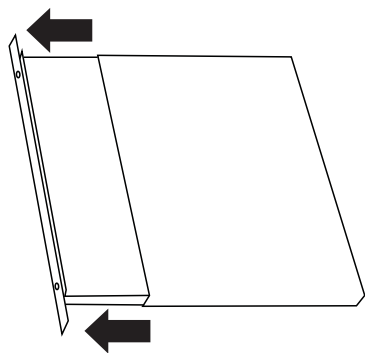
Installation Instructions

1 LAY THE DOWNDRAFT

Lay the downdraft vent system on a soft surface with blower facing down.

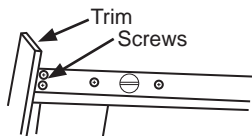
2 MOVE THE VENT OUT

Gently move the vent out until the screws on the sides are visible.



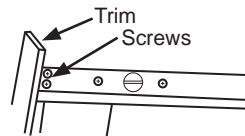
3 REMOVE THE TRIMS

Remove the trim by loosening the four screws (2 each side).



4 ATTACH THE NEW TRIM

Attach the new trim by tightening the four screws (2 each side).



5 INSTALL HOOD

Return to and proceed with the Installation Instructions to install the vent system.