

EASY TO STORE  
EASY TO FIND

# XO

## XOU24BCGO

BEVERAGE CENTER | PANEL READY

**FIND  
EVERYTHING  
FAST**



Clear glass shelves fully extend to reveal their contents and easily adjust to 15 different heights to accommodate your needs.



Removable 6 Bottle Wine Cradle included.



Zero Clearance Hinge Enables True Flush Install

**STORE UP TO 145 (12oz) CANS - READY TO SERVE AT 34° to 50° F  
AND STILL FIND JUST WHAT YOU ARE LOOKING FOR**

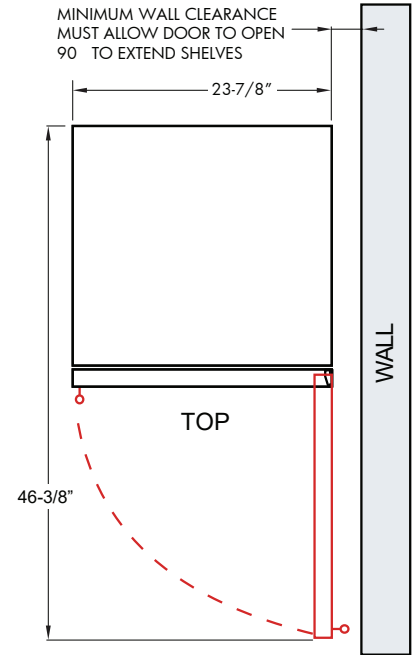
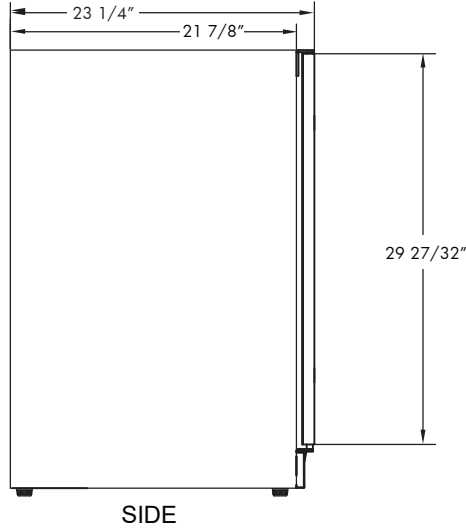
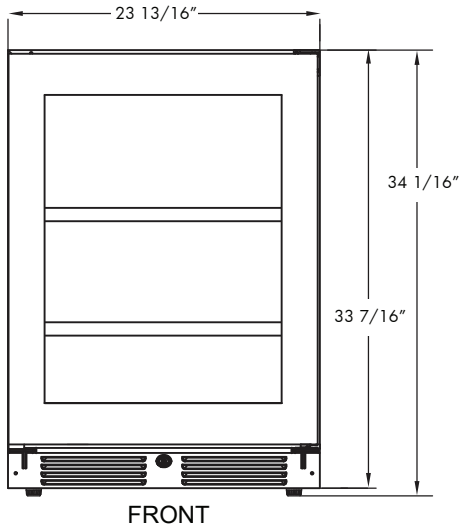
Your XO Beverage Center comes with clear glass - fully telescoping shelves. No more fumbling about or emptying shelves to find what you are looking for. Simply extend the shelf out to see what is in the back. And because beverages come in all shapes and sizes, you can easily and quickly adjust the height of the shelves to 15 different positions.

[www.xoappliance.com](http://www.xoappliance.com)

MODEL: XOU24BCGO\_\*

# 24" BEVERAGE CENTER

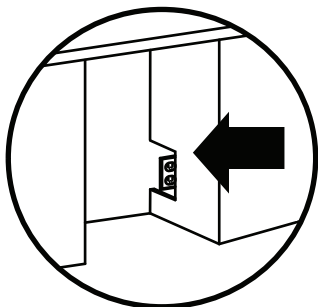
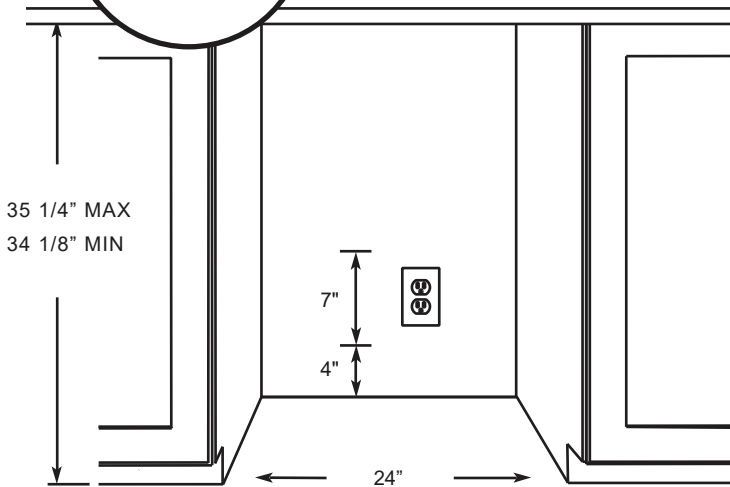
\*Specify **R** for right hand hinge - or - **L** for left hand hinge



## ROUGH-IN



THE 6' FLAT PLUG  
POWER CORD  
SUPPLIED ON  
YOUR XO WINE COOLER  
ENSURES AN EASY  
FLUSH INSTALLATION



TIP:  
IN TIGHT INSTALLATIONS  
CUT THROUGH AN ADJACENT  
CABINET WALL TO REACH  
AN OUTLET INSTALLED THERE

## SPECIFICATIONS

<b>Size</b>	24"
<b>Dimensions</b>	23 7/8"W x 34 1/8"H x 23 1/4"D
<b>Installation Type</b>	Built-in / Freestanding
<b>Refrigerant Type</b>	R600a
<b>Electrical</b>	115V 60Hz 1.5A USE DEDICATED 15A CIRCUIT
<b>Temperature Range</b>	34° - 50° F HOLDS UP TO (145) 12oz CANS

**Panel Dimensions:** refer to operating and installation manual. Panel must not exceed 3/4" thick and 20 lbs.

### Low-E Glass

\* The void between the twin layers of coated glass is filled with Argon, a harmless, natural, inert gas further improving their insulation value. In addition to reducing energy use - this limits the transmission of damaging sound, vibration and light, particularly UV light which can harm wine.



**XO** the next level  
in luxury appliances  
[www.xoappliance.com](http://www.xoappliance.com)

XO is exclusively distributed through  
EASTERN MARKETING CORP.  
24 Eisenhower Parkway, Roseland, NJ 07068  
p. 973.403.8900

# CHILL WITH XO



## NOW THAT'S COLD

ICY COLD BEVERAGES - NO PROBLEM. EASILY ADJUST TEMPERATURE TO SUIT YOUR PREFERENCES WITH THE DIGITAL CONTROL PANEL.



## NO ADMITTANCE

SECURE DOOR LOCKS HELP KEEP UNINVITED GUESTS OUT.



## YOU HAVE TO BE THIS TALL...

WITH 15 DIFFERENT SHELF HEIGHT ADJUSTMENTS STORING YOUR FAVORITE BEVERAGES IS SIMPLE AND BECAUSE THE CLEAR GLASS SHELVES FULLY EXTEND WHILE LOADED - EVERYTHING IS EASY TO FIND.



## FAN CLUB

FILTERED, CONDITIONED AIR IS CIRCULATED TO HELP ENSURE A STABLE, UNIFORM TEMPERATURE.



**SELECTABLE INTERIOR LED LIGHTING IN:**  
THEATER WHITE  
MIDNIGHT BLUE  
HONEY AMBER

## LEDS ARE COOL

COOL RUNNING INTERIOR LEDES DRAMATICALLY ILLUMINATE YOUR BOTTLES WHILE SAVING ENERGY.



## FLUSH INSTALLATION

YOUR XO IS DESIGNED TO INTEGRATE SEAMLESSLY INTO CABINETRY WITH ZERO CLEARANCE HINGES AND FLAT PLUG POWER CORD.

## XO HAS THE BEST WARRANTIES AND SERVICE...



For 90 days, all our products are backed by our unique Love It or Leave It Guarantee

