

THANK YOU for purchasing this high-quality product. Register your new range at www.kitchenaid.com. In Canada, register your new range at www.kitchenaid.ca.

For future reference, please make a note of your product model and serial numbers. These can be located on the oven frame behind the top right side of the oven door.

Model Number _____ Serial Number _____

Para una versión de estas instrucciones en español, visite www.kitchenaid.com.

Deberá tener a mano el número de modelo y de serie, que están ubicados en el marco del horno, detrás del lado derecho superior de la puerta del horno.

Table of Contents

RANGE SAFETY	2
The Anti-Tip Bracket	3
FEATURE GUIDE	4
COOKTOP USE	6
Grates	6
Griddle.....	6
Sealed Surface Burners	7
Burner Size.....	7
Cookware	8
Home Canning	8
OVEN USE	9
Electronic Oven Controls	9
Keep Warm	10
Sabbath Mode	10
Aluminum Foil.....	11
Positioning Racks and Bakeware	11
Oven Vent.....	11
Baking and Roasting.....	12
Broiling	12
Convection Cooking	12
EasyConvect™ Conversion	13
Proofing Bread	13
Cook Time.....	14
RANGE CARE	15
Clean Cycle	15
General Cleaning.....	16
Oven Light.....	17
PROBLEM SOLVER	17
ACCESSORIES	19
WARRANTY	20

RANGE SAFETY

Your safety and the safety of others are very important.

We have provided many important safety messages in this manual and on your appliance. Always read and obey all safety messages.



This is the safety alert symbol.

This symbol alerts you to potential hazards that can kill or hurt you and others.

All safety messages will follow the safety alert symbol and either the word “DANGER” or “WARNING.”

These words mean:

⚠ DANGER

You can be killed or seriously injured if you don't immediately follow instructions.

⚠ WARNING

You can be killed or seriously injured if you don't follow instructions.

All safety messages will tell you what the potential hazard is, tell you how to reduce the chance of injury, and tell you what can happen if the instructions are not followed.

WARNING: If the information in this manual is not followed exactly, a fire or explosion may result causing property damage, personal injury or death.

- Do not store or use gasoline or other flammable vapors and liquids in the vicinity of this or any other appliance.
- **WHAT TO DO IF YOU SMELL GAS:**
 - Do not try to light any appliance.
 - Do not touch any electrical switch.
 - Do not use any phone in your building.
 - Immediately call your gas supplier from a neighbor's phone. Follow the gas supplier's instructions.
 - If you cannot reach your gas supplier, call the fire department.
- Installation and service must be performed by a qualified installer, service agency or the gas supplier.

WARNING: Gas leaks cannot always be detected by smell.

Gas suppliers recommend that you use a gas detector approved by UL or CSA.

For more information, contact your gas supplier.

If a gas leak is detected, follow the “What to do if you smell gas” instructions.

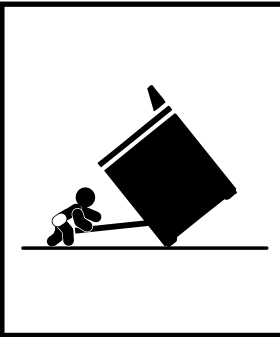
State of California Proposition 65 Warnings:

WARNING: This product contains one or more chemicals known to the State of California to cause cancer.

WARNING: This product contains one or more chemicals known to the State of California to cause birth defects or other reproductive harm.

The Anti-Tip Bracket

The range will not tip during normal use. However, the range can tip if you apply too much force or weight to the open door without the anti-tip bracket fastened down properly.



⚠ WARNING

Tip Over Hazard

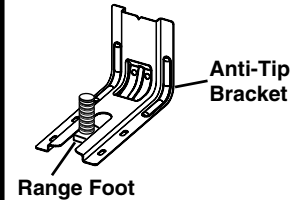
A child or adult can tip the range and be killed.

Verify the anti-tip bracket has been properly installed and engaged per installation instructions.

Re-engage anti-tip bracket if range is moved.

Do not operate range without anti-tip bracket installed and engaged.

Failure to follow these instructions can result in death or serious burns to children and adults.



To verify the anti-tip bracket is installed and engaged:

- Slide range forward.
- Look for the anti-tip bracket securely attached to floor or wall.
- Slide range back so rear range foot is under anti-tip bracket.
- See installation instructions for details.

IMPORTANT SAFETY INSTRUCTIONS

WARNING: To reduce the risk of fire, electrical shock, injury to persons, or damage when using the range, follow basic precautions, including the following:

- **WARNING:** TO REDUCE THE RISK OF TIPPING OF THE RANGE, THE RANGE MUST BE SECURED BY PROPERLY INSTALLED ANTI-TIP DEVICES. TO CHECK IF THE DEVICES ARE INSTALLED PROPERLY, SLIDE RANGE FORWARD, LOOK FOR ANTI-TIP BRACKET SECURELY ATTACHED TO FLOOR OR WALL, AND SLIDE RANGE BACK SO REAR RANGE FOOT IS UNDER ANTI-TIP BRACKET.
- **WARNING:** NEVER use this appliance as a space heater to heat or warm the room. Doing so may result in carbon monoxide poisoning and overheating of the oven.
- **WARNING:** NEVER cover any slots, holes or passages in the oven bottom or cover an entire rack with materials such as aluminum foil. Doing so blocks air flow through the oven and may cause carbon monoxide poisoning. Aluminum foil linings may also trap heat, causing a fire hazard.
- **CAUTION:** Do not store items of interest to children in cabinets above a range or on the backguard of a range – children climbing on the range to reach items could be seriously injured.

- Proper Installation – The range, when installed, must be electrically grounded in accordance with local codes or, in the absence of local codes, with the *National Electrical Code, ANSI/NFPA 70*. In Canada, the range must be electrically grounded in accordance with Canadian Electrical Code. Be sure the range is properly installed and grounded by a qualified technician.
 - This range is equipped with a three-prong grounding plug for your protection against shock hazard and should be plugged directly into a properly grounded receptacle. Do not cut or remove the grounding prong from this plug.
 - Disconnect power before servicing.
 - Injuries may result from the misuse of appliance doors or drawers such as stepping, leaning, or sitting on the doors or drawers.
 - Maintenance – Keep range area clear and free from combustible materials, gasoline, and other flammable vapors and liquids.
 - Storage in or on the Range – Flammable materials should not be stored in an oven or near surface units.
 - Top burner flame size should be adjusted so it does not extend beyond the edge of the cooking utensil.
- For self-cleaning ranges –**
- Before Self-Cleaning the Oven – Remove broiler pan and other utensils. Wipe off all excessive spillage before initiating the cleaning cycle.

SAVE THESE INSTRUCTIONS

FEATURE GUIDE

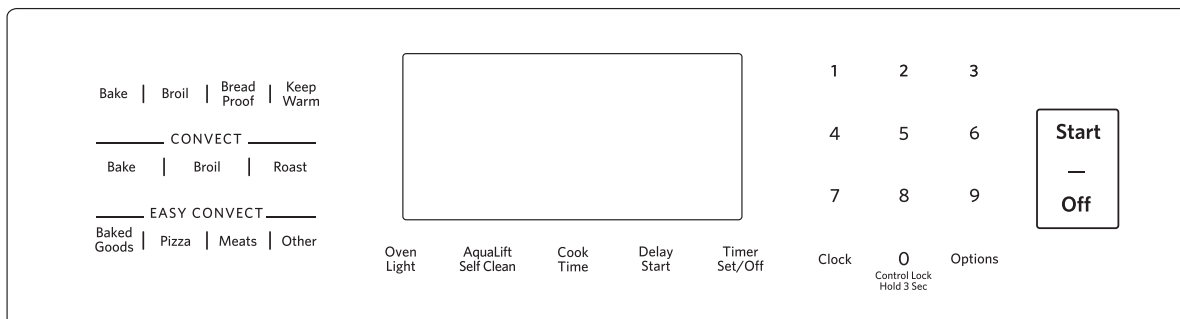
This manual covers several models. Your model may have some or all of the items listed. Refer to this manual or the Frequently Asked Questions (FAQs) section of our website at www.kitchenaid.com for more detailed instructions. In Canada, refer to the Customer Service section at www.kitchenaid.ca.

⚠ WARNING

Food Poisoning Hazard

Do not let food sit in oven more than one hour before or after cooking.

Doing so can result in food poisoning or sickness.




KEYPAD	FEATURE	INSTRUCTIONS
CLOCK	Clock	This clock can use a 12- or 24-hour cycle. See "Electronic Oven Controls" section. <ol style="list-style-type: none"> 1. Press CLOCK. 2. Press "3" for AM or "6" for PM. 3. Press the number keypads to set the time of day. 4. Press Clock or START.
OVEN LIGHT	Oven cavity light	While the oven door is closed, press OVEN LIGHT to turn the light on and off. The oven light will come on when the oven door is opened.
TIMER SET/OFF	Oven timer	The Timer can be set in hours or minutes up to 9 hours and 59 minutes. <ol style="list-style-type: none"> 1. Press TIMER SET/OFF. 2. Press the number keypads to set the length of time in hr-min-min. Leading zeros do not have to be entered. For example, for 2 minutes, enter "2." 3. Press TIMER SET/OFF to begin the countdown. If enabled, end-of-cycle tones will sound at end of countdown. 4. Press TIMER SET/OFF to cancel the Timer and return to the Time of Day. Do not press the Off keypad because the oven will turn off.
START	Cooking start	The Start pad begins any oven function. If Start is not pressed within 2 minutes after pressing a keypad, the function is canceled and the time of day is displayed.
OFF	Range function	The Off keypad stops any oven function except the Clock, Timer and Control Lock.
BAKE	Baking and roasting	<ol style="list-style-type: none"> 1. Press BAKE. 2. Press the number keypads to set the desired temperature. If the temperature entered is not in the range of the temperatures allowed, the minimum or maximum allowed temperature will be displayed. Enter a temperature in the allowable range. 3. Press START. 4. To change the temperature, repeat Step 2. Press START for the change to take effect. 5. Press OFF when finished.
BROIL	Broiling	<ol style="list-style-type: none"> 1. Press BROIL. 2. Select the broiling temperature by pressing "1" - high (500°F [261°C]), "2" - medium (450°F [234°C]) or "3" - low (400°F [204°C]). 3. Press START. 4. Position the cookware in the oven and close the door. 5. Press OFF when finished.

KEYPAD	FEATURE	INSTRUCTIONS
CONVECT BAKE	Convection cooking	<ol style="list-style-type: none"> 1. Press CONVECT BAKE. 2. Press the number keypads to set the desired temperature. If the temperature entered is not in the range of the temperatures allowed, the minimum or maximum allowed temperature will be displayed. Enter a temperature in the allowable range. 3. Press START. 4. To change the temperature, repeat Step 2. Press START for the change to take effect. 5. Press OFF when finished.
CONVECT ROAST	Convection cooking	<ol style="list-style-type: none"> 1. Press CONVECT ROAST. 2. Press the number keypads to set the desired temperature. If the temperature entered is not in the range of the temperatures allowed, the minimum or maximum allowed temperature will be displayed. Enter a temperature in the allowable range. 3. Press START. 4. To change the temperature, repeat Step 2. Press START for the change to take effect. 5. Press OFF when finished.
CONVECT BROIL	Convection cooking	<ol style="list-style-type: none"> 1. Press CONVECT BROIL. 2. Press the number keypads to set the desired temperature. If the temperature entered is not in the range of the temperatures allowed, the minimum or maximum allowed temperature will be displayed. Enter a temperature in the allowable range. 3. Press START. 4. To change the temperature, repeat Step 2. Press START for the change to take effect. 5. Press OFF when finished.
EASYCONVECT™ CONVERSION	Recipe conversion for convection cooking	<p>NOTE: For best results, preheat your oven to the required temperature prior to using EasyConvect Conversion. After preheating is complete, press OFF before using EasyConvect Conversion.</p> <ol style="list-style-type: none"> 1. Press the appropriate EasyConvect key (MEATS, PIZZA, BAKED GOODS or OTHER). 2. Press START. 3. Press the number keypads to enter the standard cooking temperature, and then press START. 4. Press the number keypads to enter the standard cook time, and then press START. 5. Place food in the oven. Check food for doneness before the stop time is reached. If food will not be done when stop time is reached, add more cooking time before time elapses. See the “Cook Time” section. At the end of the stop time, the oven will automatically turn off. 6. Press OFF when finished. <p>Refer to “EasyConvect Conversion” section for more information.</p>
BREAD PROOF	Proofing bread	<ol style="list-style-type: none"> 1. Press BREAD PROOF until the desired proof is displayed (“Standard Proof” or “Rapid Proof”). NOTE: “Rapid Proof” operates at a slightly higher temperature for second rise of formed dough. 2. Press START. Let the dough rise until nearly doubled in size. Proofing time may vary depending on dough type and quantity. 3. Press OFF when finished proofing. <p>Refer to the “Proofing Bread” section for more information.</p>
KEEP WARM	Hold warm	<p>Food must be at serving temperature before placing it in the warmed oven.</p> <ol style="list-style-type: none"> 1. Press KEEP WARM. 2. Press the number keypads to set the desired temperature. If the temperature entered is not in the range of the temperatures allowed, the minimum or maximum allowed temperature will be displayed. Enter a temperature in the allowable range. 3. Press START. 4. Press OFF when finished.
DELAY START	Delayed start	<p>The Delay Start keypad is used to enter the starting time for an oven function with a delayed start. Delay Start should not be used for foods such as breads and cakes because they may not bake properly.</p> <p>To set a Cook Time or a Delayed Cook Time, see “Cook Time” section.</p>
COOK TIME	Cook time	<p>Cook Time allows the oven to be set to turn on at a certain time of day, cook for a set length of time, and/or shut off automatically.</p> <p>To set a Cook Time or a Delayed Cook Time, see “Cook Time” section.</p>
AQUALIFT SELF CLEAN	AquaLift® self-clean cycle	See the “Clean Cycle” section.

KEYPAD	FEATURE	INSTRUCTIONS
CONTROL LOCK hold 3 sec. to lock	Oven control lockout	No keypads will function with the controls locked. <ol style="list-style-type: none"> 1. Check that the oven and the Timer are off. 2. Press and hold the “0” keypad for 3 seconds. 3. If enabled, a tone will sound, and “CONTROL LOCKED” will be displayed. 4. Repeat to unlock.
OPTIONS	Oven use functions	Enables you to personalize the audible tones and oven operation to suit your needs. See the “Oven Use” section.

COOKTOP USE

⚠ WARNING



Fire Hazard

Do not let the burner flame extend beyond the edge of the pan.

Turn off all controls when not cooking.

Failure to follow these instructions can result in death or fire.

Electric igniters automatically light the surface burners when control knobs are turned to 🔥.

Before setting a control knob, place filled cookware on the grate. Do not operate a burner using empty cookware or without cookware on the grate.

The flame should be adjusted so it does not extend beyond the edge of the pan.

To Set:

1. Push in and turn knob counterclockwise to 🔥.
All surface burners will click. Only the burner with the control knob turned to 🔥 will produce a flame.
2. Turn knob to anywhere between H and L.

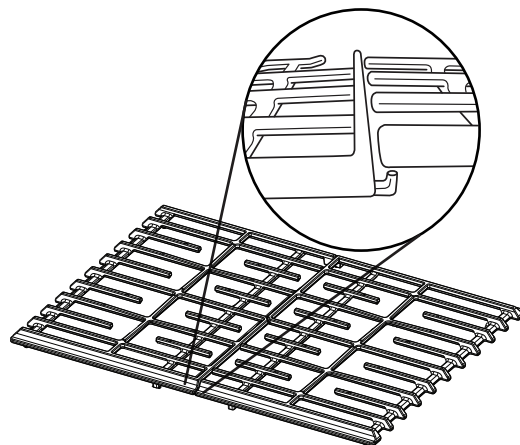
REMEMBER: When range is in use, the entire cooktop area may become hot.

Power Failure

In case of prolonged power failure, the surface burners can be lit manually. Hold a lit match near a burner and turn knob counterclockwise to 🔥. After burner lights, turn knob to desired setting.

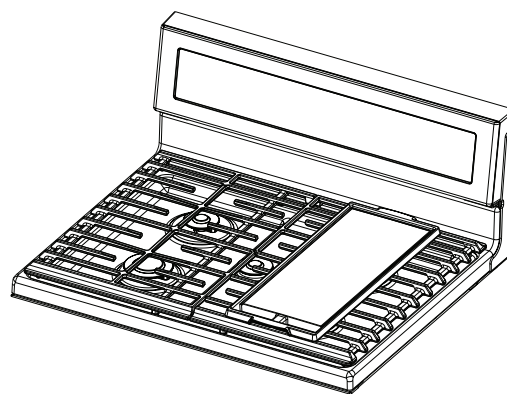
Grates

The grates on this range cover the full width of the cooktop. The two grates may interlock (on some models), using the hook formed into one end of both grates. The flat end of one grate drops onto the hook on the other grate as shown in the following illustration.



On some models, the two grates are identical and can be used on either the left or right side of the cooktop. Grates that are designed for use on only one side of the cooktop will have either “LEFT” or “RIGHT” embossed on the bottom side of the grate.

Griddle



Griddle installed on right side of cooktop

To Use the Griddle:

1. Locate the griddle on the right side grate as shown. The locating feet on the bottom of the griddle will engage the grate tines to keep the griddle from sliding.
2. Before each use, brush on a thin layer of cooking oil to keep food from sticking. Cooking sprays may leave a sticky residue on the griddle that is hard to remove.

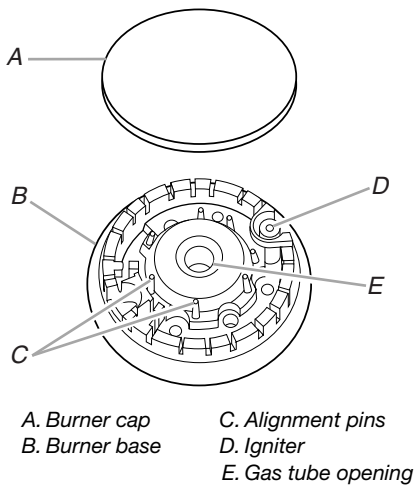
- Preheat the griddle for 5 minutes. Preheating the griddle slowly will ensure even heat distribution and will avoid warping the griddle.
- For preheating and cooking, set the front burner to the lowest heat setting and the rear burner to medium-high heat for best performance.

NOTE: The griddle may also be used on the left side grate. For best results, the rear burner setting should be set to Medium-Low or Medium, and the front burner setting should be set to Low.

To Clean the Griddle:

- Let the griddle cool, and then empty the drip tray.
- See the “General Cleaning” section for cleaning instructions.
- Store griddle in a cool dry place.

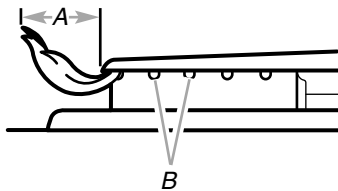
Sealed Surface Burners



IMPORTANT: Do not obstruct the flow of combustion and ventilation air around the burner grate edges.

Burner Cap: Always keep the burner cap in place when using a surface burner. A clean burner cap will help avoid poor ignition and uneven flames. Always clean the burner cap after a spillover and routinely remove and clean the caps according to the “General Cleaning” section.

Gas Tube Opening: Gas must flow freely throughout the gas tube opening for the burner to light properly. Keep this area free of soil, and do not allow spills, food, cleaning agents or any other material to enter the gas tube opening. Keep spillovers out of the gas tube by always using a burner cap.



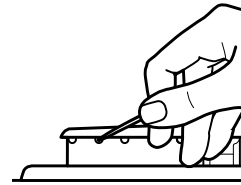
A. 1 to 1 1/2" (2.5 to 3.8 cm)
B. Burner ports

Burner Ports: Check burner flames occasionally for proper size and shape as shown in the previous illustration. A good flame is blue in color, not yellow. Keep this area free of soil and do not allow spills, food, cleaning agents or any other material to enter the burner ports.

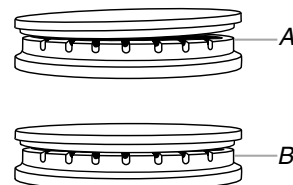
To Clean:

IMPORTANT: Before cleaning, make sure all controls are off and the oven and cooktop are cool. Do not use oven cleaners, bleach or rust removers.

- Remove the burner cap from the burner base and clean according to “General Cleaning” section.
- Clean the gas tube opening with a damp cloth.
- Clean clogged burner ports with a straight pin as shown. Do not enlarge or distort the port. Do not use a wooden toothpick. If the burner needs to be adjusted, contact a trained repair specialist.



- Replace the burner cap, making sure the alignment pins are properly aligned with the burner cap.

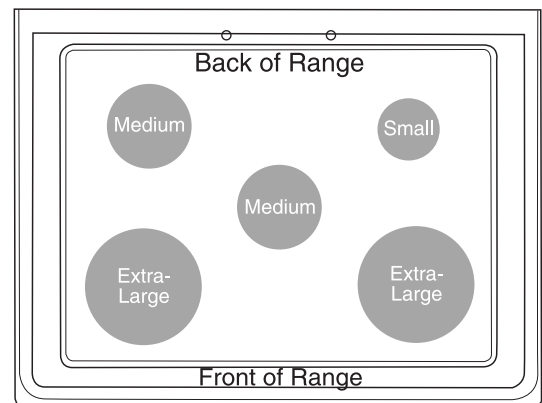


A. Incorrect
B. Correct

- Turn on the burner. If the burner does not light, check cap alignment. If the burner still does not light, do not service the sealed burner yourself. Contact a trained repair specialist.

Burner Size

Select a burner that best fits your cookware. See the following illustration and chart.



Burner Size	Recommended Use
Small	<ul style="list-style-type: none"> Low-heat cooking Melting chocolate or butter
Medium	<ul style="list-style-type: none"> Multipurpose burner
Extra-Large	<ul style="list-style-type: none"> Most powerful burner For large cookware

Cookware

IMPORTANT: Do not leave empty cookware on a hot surface cooking area, element or surface burner.

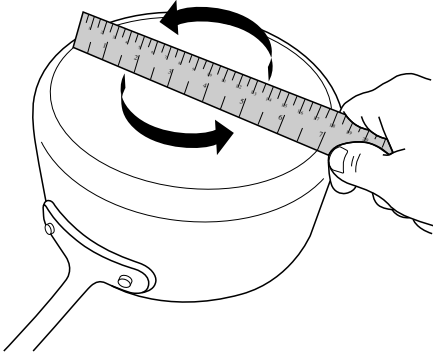
Ideal cookware should have a flat bottom, straight sides and a well-fitting lid, and the material should be of medium-to-heavy thickness.

Rough finishes may scratch the cooktop or grates. Aluminum and copper may be used as a core or base in cookware.

Cookware material is a factor in how quickly and evenly heat is transferred, which affects cooking results.

Cookware with nonstick surfaces should not be used under the broiler.

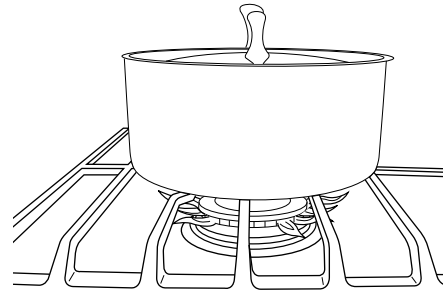
Check for flatness by placing the straight edge of a ruler across the bottom of the cookware. While you rotate the ruler, no space or light should be visible between it and the cookware.



Use the following chart as a guide for cookware material characteristics.

Cookware	Characteristics
Aluminum	<ul style="list-style-type: none"> ■ Heats quickly and evenly. ■ Suitable for all types of cooking. ■ Medium or heavy thickness is best for most cooking tasks.
Cast iron	<ul style="list-style-type: none"> ■ Heats slowly and evenly. ■ Good for browning and frying. ■ Maintains heat for slow cooking.
Ceramic or Ceramic glass	<ul style="list-style-type: none"> ■ Follow manufacturer's instructions. ■ Heats slowly, but unevenly. ■ Ideal results on low to medium heat settings.
Copper	<ul style="list-style-type: none"> ■ Heats very quickly and evenly. ■ May leave copper residues, which may be diminished if cleaned immediately after cooking.
Earthenware/ Stoneware	<ul style="list-style-type: none"> ■ Follow manufacturer's instructions. ■ Use on low heat settings.
Porcelain enamel-on-steel or cast iron	<ul style="list-style-type: none"> ■ See stainless steel or cast iron.
Stainless steel	<ul style="list-style-type: none"> ■ Heats quickly, but unevenly. ■ A core or base of aluminum or copper on stainless steel provides even heating.

For best results, the cookware should be centered above the burner with the bottom sitting level on the grate. The flame should be adjusted so that it does not extend up the sides of the pan.



Home Canning

When canning for long periods, alternate the use of surface burners between batches. This allows time for the most recently used areas to cool.

- Center the canner on the grate above the burner.
- Do not place canner on 2 surface burners at the same time.
- For more information, contact your local agricultural extension office, or refer to published home canning guides. Companies that manufacture home canning products can also offer assistance.

OVEN USE

The normal operation of the range will include several noises that may be heard each time the Bake or Broil burners ignite during the cooking cycle:

- Gas valves may make a “popping” sound when opening or closing.
- Igniters will “click” several times until a flame is sensed.

- A “poof” sound is heard when a Bake or Broil burner ignites.

Odors and smoke are normal when the oven is used the first few times, or when it is heavily soiled.

IMPORTANT: The health of some birds is extremely sensitive to the fumes given off. Exposure to the fumes may result in death to certain birds. Always move birds to another closed and well-ventilated room.

Electronic Oven Controls

Control Display

The display will light up when first powered up or after a power loss. When oven is not in use, the time of day is displayed.

Tones

Tones are audible signals, indicating the following:

One Tone

- Valid pad press.
- Oven is preheated (long tone).
- Kitchen timer (long tone with a reminder tone every 60 seconds).
- Function has been entered.

Three Tones

- Invalid pad press.

Four Tones

- End of cycle (with a reminder tone every 60 seconds).

Use the Options key to change the tone settings.

Options

Many features of the oven control can be adjusted to meet your personal needs. These changes are made using the Options keypad.

Use the Options keypad to scroll through the features that can be changed. Each press of the Options keypad will advance the display to the next setting. After selecting the feature to be changed, the control will prompt you for the required input. Details of all of the feature changes are explained in the following sections.

Press OFF to exit Options.

Fahrenheit and Celsius

The temperature is preset to Fahrenheit, but can be changed to Celsius.

1. Press OPTIONS until “TEMP UNIT” is displayed.
2. The current setting will be displayed.
3. Press the “1” keypad to adjust the setting.
4. Press OFF to save the setting and display the time of day.

Audible Tones Disable

Turns off all tones, including the end of cycle tone and key press tones.

1. Press OPTIONS until “SOUND” is displayed.
2. The current setting will be displayed.
3. Press the “1” keypad to adjust the setting.
4. Press OFF to save the setting and display the time of day.

Sound Volume

Sets the pitch of the tone to either high or low.

1. Press OPTIONS until “SOUND VOLUME” is displayed.
2. The current setting will be displayed.
3. Press the “1” keypad to adjust the setting.
4. Press OFF to save the setting and display the time of day.

End of Cycle Tone

Activates or turns off the tones that sound at the end of a cycle.

1. Press OPTIONS until “END TONE” is displayed.
2. The current setting will be displayed.
3. Press the “1” keypad to adjust the setting.
4. Press OFF to save the setting and display the time of day.

Key Press Tones

Activates or turns off the tones when a keypad is pressed.

1. Press OPTIONS until “KEYPRESS TONE” is displayed.
2. The current setting will be displayed.
3. Press the “1” keypad to adjust the setting.
4. Press OFF to save the setting and display the time of day.

Reminder Tones Disable

Turns off the short repeating tone that sounds every 1 minute after the end of cycle tones.

1. Press OPTIONS until “REMINDER TONE” is displayed.
2. The current setting will be displayed.
3. Press the “1” keypad to adjust the setting.
4. Press OFF to save the setting and display the time of day.

12/24 Hour Clock

1. Press OPTIONS until “12/24 HOUR” is displayed.
2. The current setting will be displayed.
3. Press the “1” keypad to adjust the setting.
4. Press OFF to save the setting and display the time of day.

Demo Mode

IMPORTANT: This feature is intended for use on the sales floor with 120 V power connection and permits the control features to be demonstrated without heating elements or burners turning on. If this feature is activated, the oven will not work.

1. Press OPTIONS until “DEMO MODE” is displayed.
2. The current setting will be displayed.
3. Press the “1” keypad to adjust the setting.
4. Press OFF to save the setting and display the time of day.

12-Hour Shutoff

The oven control is set to automatically shut off the oven 12 hours after the oven initiates a cook or clean function. This will not interfere with any timed or delay cook functions.

1. Press OPTIONS until "12 HR AUTO OFF" is displayed.
2. The current setting will be displayed.
3. Press the "1" keypad to adjust the setting.
4. Press OFF to save the setting and display the time of day.

Languages - Scrolling Display Text

Language options are English, Spanish and French.

1. Press OPTIONS until "LANGUAGE" is displayed.
2. The current setting will be displayed.
3. Press the number keypads to adjust the setting.
4. Press OFF to save the setting and display the time of day.

Energy Save

The Energy Save mode deactivates the display to reduce energy consumption.

1. Press OPTIONS until "ENERGY SAVE" is displayed.
2. The current setting will be displayed.
3. Press the "1" keypad to adjust the setting.
4. Press OFF to save the setting and display the time of day.

Oven Temperature Offset Control

IMPORTANT: Do not use a thermometer to measure oven temperature. Elements will cycle on and off as needed to provide consistent temperature but may run slightly hot or cool at any point in time due to this cycling. Most thermometers are slow to react to temperature change and will not provide an accurate reading due to this cycling.

The oven provides accurate temperatures; however, it may cook faster or slower than your previous oven, so the temperature can be adjusted to personalize it for your cooking needs. It can be changed to Fahrenheit or Celsius.

To Adjust Oven Temperature:

1. Press OPTIONS until "TEMP CALIB" is displayed.
2. The current setting will be displayed. Press the "1" keypad to toggle between the oven and the warming drawer.
3. Press START to select the choice displayed in Step 2. Wait 10 seconds for the display to change, or press START, and then continue with Step 4.
4. Press the "3" keypad to increase the temperature in 5°F (3°C) increments, or press the "6" keypad to decrease the temperature in 5°F (3°C) increments. The range is from -30°F to +30°F (-18°C to +18°C).
5. Press OFF to save the setting and display the time of day.

Keep Warm

WARNING

Food Poisoning Hazard

Do not let food sit in oven more than one hour before or after cooking.

Doing so can result in food poisoning or sickness.

IMPORTANT: Food must be at serving temperature before placing it in the warmed oven. Food may be held up to 1 hour; however, breads and casseroles may become too dry if left in the oven during the Keep Warm function. For best results, cover food.

The Keep Warm feature allows hot cooked foods to stay at serving temperature.

To Use:

1. Press KEEP WARM.
2. Press the number keypads to set the desired temperature. If the temperature entered is not in the range of the temperatures allowed, the minimum or maximum allowed temperature will be displayed. Enter a temperature in the allowable range.
NOTE: The temperature may be changed at any time by pressing the number keypads to enter the desired temperature and then START.
3. Press START.
4. Place food in the oven.
5. Press OFF when finished.
6. Remove food from the oven.

To Cancel Keep Warm:

Press OFF. Remove food from oven.

Sabbath Mode

The Sabbath Mode sets the oven to remain on in a bake setting until turned off.

When the Sabbath Mode is set, only the Bake cycle will operate. All other cooking and cleaning cycles are disabled. No tones will sound, and the displays will not indicate temperature changes.

When the oven door is opened or closed, the oven light will not turn on or off and the heating elements will not turn on or off immediately.

To Enable Sabbath Mode Capability (One Time Only):

1. Press OPTIONS until "SABBATH" is displayed.
2. Press the "1" keypad. Sabbath Mode can be activated for baking.
3. Press START or OFF to save the setting and display the time of day.

NOTE: To disable the Sabbath Mode, repeat steps 1 through 3 to change the status from "SABBATH ON" to "SABBATH OFF."

To Activate Sabbath Mode:

1. Press BAKE.
2. Press the number keypads to set the desired temperature. If the temperature entered is not in the range of the temperatures allowed, the minimum or maximum allowed temperature will be displayed. Enter a temperature in the allowable range.
3. Press START.
For timed cooking in Sabbath Mode, press COOK TIME, then the number keypad to set the desired cook time. Press START.
4. Press OPTIONS. Three tones will sound. Then press "7." "Sab" will appear in the display.

To Adjust Temperature (When Sabbath Mode is Running):

1. Press BAKE.
2. Press the number keypad as instructed by the scrolling text to select the new temperature.
NOTE: The temperature adjustment will not appear on the display, and no tones will sound. The scrolling text will be shown on the display as it was before the keypad was pressed.
3. Press START.

To Deactivate Sabbath Mode:

Press OPTIONS, and then press “7” to return to regular baking, or press OFF to turn off the range.

Aluminum Foil

IMPORTANT: To avoid permanent damage to the oven bottom finish, do not line the oven bottom with any type of foil or liner. For best cooking results, do not cover entire oven rack with foil because air must be able to move freely.

Positioning Racks and Bakeware

IMPORTANT: To avoid permanent damage to the porcelain finish, do not place food or bakeware directly on the oven door or bottom.

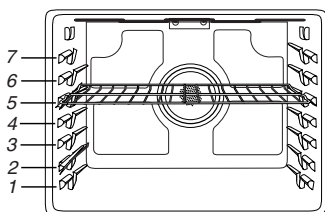
Bakeware

To cook food evenly, hot air must be able to circulate. Allow 2" (5 cm) of space around bakeware and oven walls. Make sure that no bakeware piece is directly over another.

Racks

- Position racks before turning on the oven.
- Do not position racks with bakeware on them.
- Make sure racks are level.

To position a rack, pull it out to the stop position, raise the front edge, and then lift out. Use the following illustration and charts as a guide.

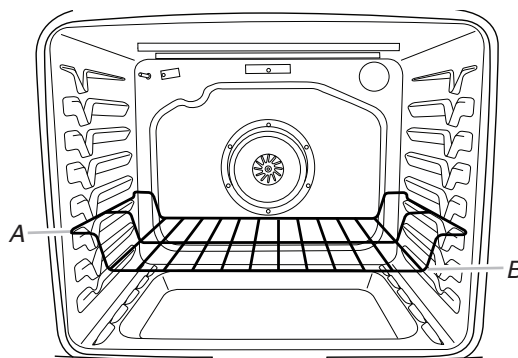


The oven has 7 positions for a flat rack, as shown in the previous illustration and the following table.

Flat Rack Position	Type of Food
7	Broiling/searing meats, hamburgers, steaks
6	Broiled meats, poultry, fish
3 or 4	Most baked goods, casseroles
2	Roasted meats
1	Large roasts or poultry

For hamburger patties to have a well-seared exterior and a rare interior, use a flat rack in rack position 7. Side 1 should cook for approximately 2½ to 3½ minutes. Side 2 should cook for approximately 4 to 5 minutes. Expect a moderate degree of smoke when broiling

IMPORTANT: If your model has a Max Capacity Rack, the recessed ends must be placed in the rack position above the desired position of the food. See the following illustration.



A. Ends of rack in position 3
B. Food in position 2

IMPORTANT: These rack positions are for flat racks. If a Max Capacity Rack is used, the rack position must be adjusted as shown in the previous figure.

Multiple Rack Cooking

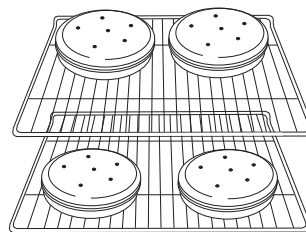
2-rack (non-convection): Use rack positions 2 and 5 or 3 and 6.

2-rack (convection): Use rack positions 2 and 5 or 3 and 6.

3-rack (convection): Use a flat rack in rack positions 4 and 6 and a Max Capacity Oven Rack in rack position 3.

Baking Layer Cakes

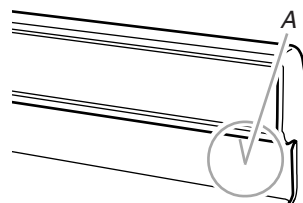
For best results when baking cakes on 2 racks, use the Bake function with a flat rack in rack position 2 and a flat rack in rack position 5. Place the cakes on the racks as shown. Keep at least 3" (7.6 cm) of space between the front of the racks and the front cakes.



Baking Cookies

For best results when baking cookies on 2 racks, use the Convection Bake function with a flat rack in rack position 2 and a flat rack in rack position 5.

Oven Vent



A. Oven vent

The oven vent releases hot air and moisture from the oven, and should not be blocked or covered. Blocking or covering the oven vent will cause poor air circulation, affecting cooking and cleaning results. Do not set plastics, paper or other items that could melt or burn near the oven vent.

Baking and Roasting

Preheating

When beginning a Bake, Convection Bake or Convection Roast cycle, the oven will begin preheating after Start is pressed. The oven will take approximately 12 to 15 minutes to reach 350°F (177°C) with all of the oven racks provided with your oven inside the oven cavity. Higher temperatures will take longer to preheat. The preheat cycle rapidly increases the oven temperature. The actual oven temperature will go above your set temperature to offset the heat lost when your oven door is opened to insert food. This ensures that when you place your food in the oven, the oven will begin at the proper temperature. Insert your food when the preheat tone sounds. Do not open the door during preheat before the tone sounds.

Oven Temperature

While in use, the oven elements will cycle on and off as needed to maintain a consistent temperature, but they may run slightly hot or cool at any point in time due to this cycling. Opening the oven door while in use will release the hot air and cool the oven which could impact the cooking time and performance. It is recommended to use the oven light to monitor cooking progress.

NOTE: On models with convection, the convection fan may run in the non-convection bake mode to improve oven performance.

Temperature Management System

The Temperature Management System electronically regulates the oven heat levels during preheat and bake to maintain a precise temperature range for optimal cooking results. The bake and broil elements or burners cycle on and off in intervals. On convection range models, the fan will run while preheating and may be cycled on and off for short intervals during Bake to provide the best results. This feature is automatically activated when the oven is in use.

Before baking and roasting, position racks according to the “Positioning Racks and Bakeware” section. When roasting, it is not necessary to wait for the oven preheat cycle to end before putting food in unless it is recommended in the recipe.

Broiling

No preheating is necessary, unless recommended otherwise in the recipe. Position food on grid in a broiler pan, and then place it in the center of the oven rack.

IMPORTANT: Close the door to ensure proper broiling temperature.

Changing the temperature when Custom Broiling allows more precise control when cooking. The lower the broil setting, the slower the cooking. Thicker cuts and unevenly shaped pieces of meat, fish and poultry may cook better at lower broil settings. Use racks 6 or 7 for broiling. Use rack position 6 if using the roll-out rack. Refer to the “Positioning Racks and Bakeware” section for more information.

- For best results, use a broiler pan and grid. It is designed to drain juices and help avoid spatter and smoke.

If you would like to purchase a broiler pan, one may be ordered. Please refer to the “Accessories” section for more information.

NOTE: Odors and smoke are normal the first few times the oven is used or if the oven is heavily soiled.

Convection Cooking

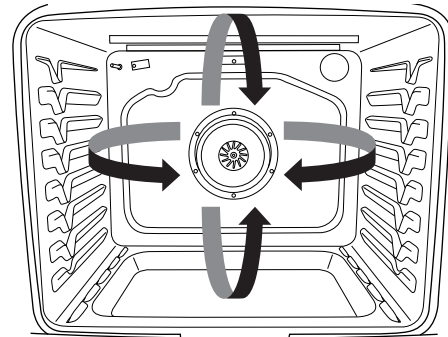
In a convection oven, the fan-circulated hot air continually distributes heat more evenly than the natural movement of air in a standard thermal oven. This movement of hot air helps maintain a consistent temperature throughout the oven, cooking foods more evenly, crisping surfaces while sealing in moisture and yielding crustier breads.

During convection cooking, the bake and broil burners, convection (true convection only) element and fan cycle on and off in intervals to maintain the oven temperature, while the fan circulates the hot air.

NOTE: The convection fan will turn on approximately 5 minutes into any convection cycle.

If the oven door is opened during convection cooking, the fan will turn off immediately. It will come back on when the oven door is closed.

NOTE: The oven door must be closed for convection broiling.

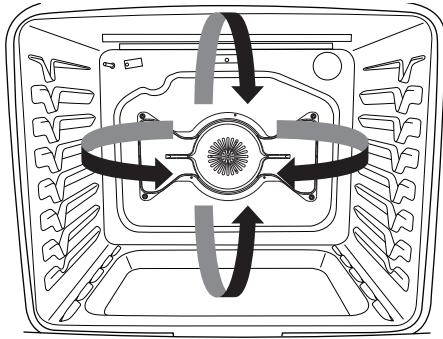


Position the racks according to the “Positioning Racks and Bakeware” section before starting convection cooking.

With convection cooking, most foods can be cooked at a lower temperature or at a shorter time. These adjustments can be made using the following chart or by using the EasyConvect™ Conversion feature on your range.

Setting	Guidelines
CONVECT BAKE	Reduce the standard baking temperature 25°F (15°C).
CONVECT ROAST	Use standard recipe temperature. Cooking time may be reduced by 15% to 30% with Convection Roast so the food should be checked for doneness early.
CONVECT BROIL	Use standard recipe temperature. Cooking time may be reduced so the food should be checked for doneness early.

Bow Tie True Convection with T.H.E.™ Element



True convection adds an electric element around the convection fan to enhance the cooking performance. This feature enables three-rack baking in your range. Use the following Convection Options chart as a guide.

Convection Options

Setting	Foods
CONVECT BAKE	Single or multiple-rack baking for cookies, biscuits, breads, casseroles, tarts, tortes.
CONVECT ROAST	Whole chicken or turkey, vegetables, pork roasts, beef roasts.
CONVECT BROIL	Thicker cuts or unevenly shaped pieces of meat, fish or poultry.

EasyConvect™ Conversion

Convection cooking temperatures and times can differ from those of standard cooking. Depending upon the selected category, EasyConvect™ conversion automatically reduces the standard recipe temperature and/or time you input for convection cooking.

Foods are grouped into 4 general categories. Choose the category most appropriate for the food to be cooked. Use the following chart as a guide.

Setting	Foods
MEATS	Chicken: whole and pieces Meat loaf, Roasts: pork, beef and ham (Turkey and large poultry are not included because their cook time varies.)
BAKED GOODS	Biscuits, Breads: quick and yeast Cakes and Cookies Casseroles
PIZZA	Fresh pizza, Frozen pizza
OTHER	Frozen convenience foods: french fries, nuggets, fish sticks, lasagna

To Use:

NOTE: For best results, preheat your oven to the desired temperature prior to using Easy Convect™ Conversion. After preheating is complete, press OFF before using EasyConvect™ Conversion.

1. Press the EASY CONVECT key for the desired option (MEATS, BAKED GOODS, PIZZA or OTHER).
2. Press START.
3. Press the number keys to enter standard cook temperature, and then press START.
4. Press the number keys to enter standard cook time, and then press START.
5. Place the food in the oven.

Check food for doneness before the stop time is reached. If food will not be done when the stop time is reached, add more cooking time before time elapses (see the “Cook Time” section). At the end of the stop time, the oven will automatically turn off.

6. Press OFF when finished.
7. Remove food from the oven.

Proofing Bread

Proofing bread prepares the dough for baking by activating the yeast. Follow the recipe directions as a guide. Standard Proof should be used for fresh dough, thawed dough, and for the first and second rise. Rapid Proof (on some models) operates at a slightly higher temperature than Standard Proof, and it can be used for the second rise of formed dough.

To Proof:

Before first proofing, place the dough in a lightly greased bowl and cover loosely with wax paper, coated with shortening. Place in position 2, and then close the oven door.

1. Press BREAD PROOF until the desired proof is displayed (“Standr” or “Rapid”).
2. Press START.

Let the dough rise until nearly doubled in size. Proofing time may vary depending on dough type and quantity.

3. Press OFF when finished proofing.

Before second proofing, shape the dough, place it in baking pan(s) and then cover loosely. Follow the same placement and control steps above. Before baking, remove the cover.

NOTE: If the oven temperature is greater than 120°F (49°C), the display will indicate “Oven Cooling” until the temperature is below 120°F (49°C).

Cook Time

WARNING

Food Poisoning Hazard

Do not let food sit in oven more than one hour before or after cooking.

Doing so can result in food poisoning or sickness.

To Set a Timed Cook:

1. Press BAKE, CONVECT BAKE, CONVECT ROAST or CONVECT BROIL.
2. Press the number keypads to set the desired temperature. If the temperature entered is not in the range of the temperatures allowed, the minimum or maximum allowed temperature will be displayed. Enter a temperature in the allowable range.
3. Press COOK TIME.
4. Press the number keypads to enter the length of time to cook.
5. Press START. The display will count down the time. When the time ends, the oven will shut off automatically.
The temperature and/or time setting can be changed at any time by repeating steps 2 through 5.
6. Press OFF to clear the display.

NOTE: The time setting for any timed cooking function, including EasyConvect™ Conversion, can be adjusted by following the previous steps 3 through 5.

To Set a Delayed Timed Cook:

1. Press DELAY START.
2. Press the number keypads to enter the number of hours and/or minutes you want to delay the start time.
3. Press BAKE, CONVECT BAKE, CONVECT ROAST or CONVECT BROIL.
4. Press the number keypads to set the desired temperature. If the temperature entered is not in the range of the temperatures allowed, the minimum or maximum allowed temperature will be displayed. Enter a temperature in the allowable range.
5. Press START or COOK TIME.
6. Press number keypads to enter the length of time to cook.
7. Press START.

When the start time is reached, the oven will automatically turn on. The temperature and/or time settings can be changed after the delay countdown by repeating steps 1 through 7. When resetting the time and temperature, it is necessary to press Start between steps 4 and 5 to continue making changes.

When the set cook time ends, the oven will shut off automatically.

8. Press OFF to clear the display.

RANGE CARE

AquaLift® Self-Cleaning Technology

Clean Cycle

AquaLift® Technology is an innovative cleaning solution that utilizes heat and water to release baked-on spills from the oven in less than 1 hour. This new cleaning technology is a low-heat, odor-free alternative to traditional self-cleaning options.

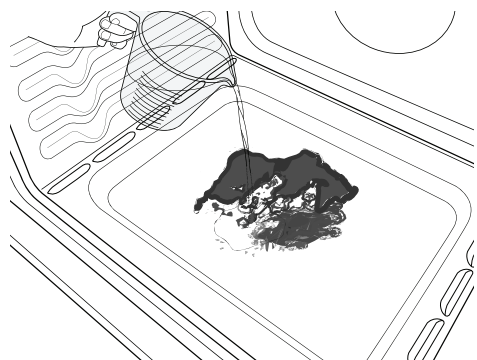
Allow the oven to cool to room temperature before using the Clean cycle. If your oven cavity is above 200°F (93°C), “Oven Cooling” will appear in the display, and the Clean cycle will not be activated until the oven cavity cools down.

To Clean:

1. Remove all racks and accessories from the oven cavity and wipe excess soil. Use a plastic scraper to remove easily-removed soils.



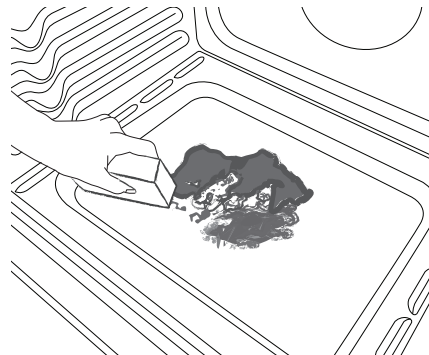
2. Pour 1¾ cups (14 oz [414 mL]) of distilled or filtered water onto the bottom of the empty oven and close the oven door.



IMPORTANT: Do not use chemicals or other additives with the water. Do not open the oven door during the Clean cycle. The water on the oven bottom is hot.

3. Press AQUALIFT SELF CLEAN and then START on the oven control panel.
4. Allow 40 minutes for cleaning and cool down. A beep will sound when the Clean cycle is complete.

5. Press OFF at the end of the cycle. Off may be pressed at any time to stop the Clean cycle.
6. Remove the residual water and loosened soils with a sponge or cloth immediately after the Clean cycle is complete. Much of the initial 1¾ cups (14 oz [414 mL]) of water will remain in the oven after the cycle is completed. If additional soils remain, leave a small amount of water in the oven bottom to assist with the cleaning.



7. If any soils remain, remove them with a non-scratch scrubbing sponge or plastic scraper. Additional Clean cycles may be run to help remove the stubborn soils.

IMPORTANT: Do not use oven cleaners. The use of chemicals, including commercial oven cleaners or metal scouring pads, may cause permanent damage to the porcelain surface of the oven interior.

NOTES:

- The range should be level to ensure that the entire surface of the bottom of the oven cavity is covered by water at the beginning of the Clean cycle.
- For best results, use distilled or filtered water. Tap water may leave mineral deposits on the oven bottom.
- Before removing the residual water and loosened soils at the end of the Clean cycle, insert a cloth or paper towel between the lower edge of the oven door and the front frame to keep water from spilling onto the front of the range and the floor.
- Soil baked on through several cooking cycles will be more difficult to remove with the Clean cycle.
- Nonabrasive scrub sponges or eraser style cleaning pads (without cleaners) can be effective for cleaning the oven cavity walls, oven door and oven bottom for difficult soils. For best results, moisten the pads and sponges before use.
- Run an additional Clean cycle for stubborn soils.
- affresh® Kitchen and Appliance Cleaner and affresh® Cooktop Cleaner may be used to clean the oven bottom, walls and door when the oven has finished the cycle and returned to room temperature. If affresh® Cooktop Cleaner is used, it is recommended to wipe out the cavity with distilled water as well. Refer to the “Accessories” section for information on ordering.
- Additional AquaLift® Technology Cleaning Kits may be obtained by ordering Part Number W10423113RP. See the “Accessories” section for more information.
- For assistance with AquaLift® Technology, call 1-877-258-0808, or visit our website at <http://whirlpoolcorp.com/aqualift>.

General Cleaning

IMPORTANT: Before cleaning, make sure all controls are off and the oven and cooktop are cool. Always follow label instructions on cleaning products. For additional information, you can visit the Frequently Asked Questions section of our website at www.kitchenaid.com. In Canada, reference the Customer Service section at www.kitchenaid.ca.

Soap, water and a soft cloth or sponge are suggested first unless otherwise noted.

EXTERIOR PORCELAIN ENAMEL SURFACES (on some models)

Food spills containing acids, such as vinegar and tomato, should be cleaned as soon as the entire range is cool. These spills may affect the finish.

Cleaning Method:

- Glass cleaner, mild liquid cleaner or nonabrasive scrubbing pad:
Gently clean around the model/serial/rating plate because scrubbing may remove numbers.
- affresh® Kitchen and Appliance Cleaner Part Number W10355010 (not included):
See “Accessories” section for more information.

STAINLESS STEEL (on some models)

NOTE: To avoid damage to stainless steel surfaces, do not use soap-filled scouring pads, abrasive cleaners, Cooktop Cleaner, steel-wool pads, gritty washcloths or abrasive paper towels. Damage may occur to stainless steel surfaces, even with one-time or limited use.

Cleaning Method:

Rub in direction of grain to avoid damaging.

- affresh® Stainless Steel Cleaner Part Number W10355016 (not included):
See “Accessories” section for more information.

METALLIC PAINT (on some models)

Do not use abrasive cleaners, cleaners with bleach, rust removers, ammonia or sodium hydroxide (lye) because paint surface may stain.

PORCELAIN-COATED GRATES AND CAPS

Food spills containing acids, such as vinegar and tomato, should be cleaned as soon as the cooktop, grates and caps are cool. These spills may affect the finish.

To avoid chipping, do not bang grates and caps against each other or hard surfaces such as cast iron cookware.

Do not reassemble caps on burners while wet.

Cleaning Method:

- Nonabrasive plastic scrubbing pad and mildly abrasive cleanser:
Clean as soon as cooktop, grates and caps are cool.
- Dishwasher (grates only, not caps):
Use the most aggressive cycle. Cooked-on soils should be soaked or scrubbed before going into a dishwasher.
- Gas Grate and Drip Pan Cleaner Part Number 31617A:
See “Accessories” section for more information.

SURFACE BURNERS

- See “Sealed Surface Burners” section.

COOKTOP CONTROLS

To avoid damage to the cooktop controls, do not use steel wool, abrasive cleansers or oven cleaner.

To avoid damage, do not soak knobs. When replacing knobs, make sure knobs are in the Off position.

On some models, do not remove seals under knobs.

Cleaning Method:

- Soap and water:
Pull knobs straight away from control panel to remove.

GRIDDLE

To avoid damaging the nonstick surface, do not clean the griddle in the dishwasher, or use steel wool and abrasive cleaners.

Cleaning Method:

- Mild detergent.

CONTROL PANEL AND OVEN DOOR EXTERIOR

To avoid damage to the control panel, do not use abrasive cleaners, steel-wool pads, gritty washcloths or abrasive paper towels.

Cleaning Method:

- Glass cleaner and soft cloth or sponge:
Apply glass cleaner to soft cloth or sponge, not directly on panel.
- affresh® Kitchen and Appliance Cleaner Part Number W10355010 (not included):
See “Accessories” section for more information.

OVEN RACKS

Cleaning Method:

- Steel-wool pad.
- For racks that have discolored and are harder to slide, a light coating of vegetable oil applied to the rack guides will help them slide.
- Dishwasher (steam rack water reservoir only, not racks):
Although the water reservoir is durable, it may lose its shine and/or discolor when washed in a dishwasher.

STORAGE DRAWER OR WARMING DRAWER (on some models)

Check that storage or warming drawer is cool and empty before cleaning.

Cleaning Method:

- Mild detergent.

OVEN CAVITY

Use AquaLift® Technology regularly to clean oven spills.

Do not use oven cleaners.

Food spills should be cleaned when oven cools. At high temperatures, foods react with porcelain and staining, etching, pitting or faint white spots can result.

Cleaning Method:

- Clean cycle:
See “Clean Cycle” section.

Oven Light

The oven light is a standard 40-watt appliance bulb. Before replacing, make sure the oven and cooktop are cool and the control knobs are in the Off position.

To Replace:

1. Unplug range or disconnect power.

2. Turn the glass bulb cover in the back of the oven counterclockwise to remove.
3. Turn bulb counterclockwise to remove from socket.
4. Replace bulb by turning clockwise.
5. Replace bulb cover by turning clockwise.
6. Plug in range or reconnect power.

PROBLEM SOLVER

First try the solutions suggested here. If you need further assistance or more recommendations that may help you avoid a service call, refer to the warranty page in this manual and scan the code there with your mobile device, or visit <http://kitchenaid.custhelp.com>. In Canada, visit <http://www.kitchenaid.ca>.

Contact us by mail with any questions or concerns at the address below:

In the U.S.A.:


KitchenAid Brand Home Appliances
Customer eXperience Center
553 Benson Road
Benton Harbor, MI 49022-2692

In Canada:

KitchenAid Brand Home Appliances
Customer eXperience Centre
200 - 6750 Century Ave.
Mississauga, Ontario L5N 0B7

Please include a daytime phone number in your correspondence.

⚠ WARNING



Electrical Shock Hazard

Plug into a grounded 3 prong outlet.

Do not remove ground prong.

Do not use an adapter.

Do not use an extension cord.

Failure to follow these instructions can result in death, fire, or electrical shock.

PROBLEM	POSSIBLE CAUSES AND/OR SOLUTIONS
Nothing will operate	<p>Power supply cord is unplugged - Plug into a grounded 3 prong outlet.</p> <p>Energy Save is active, and the display is blank - Press any keypad on the control to display the time of day. See the "Electronic Oven Controls" section for more information.</p> <p>Household fuse is blown or a circuit breaker is tripped - Replace the fuse or reset the circuit breaker. If the problem continues, call an electrician.</p> <p>Main or regulator gas shutoff valve is in the off position - See the Installation Instructions.</p> <p>The range is improperly connected to the gas supply - Contact a trained repair specialist or see the Installation Instructions.</p>
Surface burners will not operate	<p>The control knob is not set correctly - Push in knob before turning to a setting.</p> <p>Air in the gas lines - If this is the first time the surface burners have been used, turn on any one of the surface burner knobs to release air from the gas lines.</p> <p>Clogged burner ports - See the "Sealed Surface Burners" section.</p>
Surface burner flames are uneven, yellow and/or noisy	<p>Clogged burner ports - See "Sealed Surface Burners" section.</p> <p>Burner caps positioned improperly - See "Sealed Surface Burners" section.</p> <p>Range converted improperly - If propane gas is being used, contact a service technician or see the "Warranty" section for contact information.</p>
Excessive heat around cookware on cooktop	<p>Cookware and flame are not matched - The cookware should be centered above the burner with the bottom sitting level on the grate. The flame should be adjusted so that it does not extend up the sides of the pan.</p>

PROBLEM	POSSIBLE CAUSES AND/OR SOLUTIONS
Cooktop cooking results not what expected	<p>Improper cookware - Ideal cookware should have a flat bottom, straight sides and a well fitting lid, and the material should be of a medium to heavy thickness.</p> <p>Control knob set to incorrect heat level - See the “Cooktop Use” section.</p> <p>Range is not level - Level the range. See the Installation Instructions.</p>
Oven will not operate	<p>Air in the gas lines - If this is the first time the oven has been used, turn on any one of the surface burner knobs to release air from the gas lines.</p> <p>Control is locked - Press and hold START for 3 seconds to unlock.</p> <p>The range is in Demo Mode - See the “Electronic Oven Controls” section. Demo Mode is used for display models in a showroom.</p> <p>Electronic oven control set incorrectly - See the “Electronic Oven Controls” section.</p>
Oven burner flames are yellow or noisy	<p>Range converted improperly - If propane gas is being used, contact a service technician or see the “Warranty” section for contact information.</p>
Oven temperature too high or too low	<p>Oven temperature needs adjustment - See “Oven Temperature Control” in the “Electronic Oven Controls” section.</p>
Convection fan not working	<p>The convection cycle is in the first 5 minutes of operation - This is normal. The convection fan will start running approximately 5 minutes into the cycle.</p> <p>Oven door is open - If the oven door is opened during convection cooking, the fan will turn off immediately. It will come back on when the oven door is closed.</p>
Display shows messages	<p>Power failure (display shows flashing time) - Clear the display. On some models, reset the clock, if needed. See “Clock” keypad feature in the “Feature Guide” section.</p> <p>Error code (display shows letter followed by number) - Depending on your model, press OFF to clear the display. See “Control Display” in the “Electronic Oven Controls” section. If it reappears, call for service. See the “Warranty” section for contact information.</p> <p>Start needs to be pressed so a cycle can begin (display shows “PUSH” or “PSH”) - See the “Start” keypad feature in the “Feature Guide” section.</p> <p>Range is in Sabbath Mode (display shows “SAb”) - Press OFF to exit Sabbath Mode.</p>
Clean cycle did not work on all spills	<p>Several cooking cycles between Clean cycles or spills on oven walls and doors - Run additional Clean cycles. Use the AquaLift® Technology Cleaning Kit. affresh® Kitchen and Appliance Cleaner or affresh® Cooktop Cleaner can be used for stubborn soils. See the “Accessories” and “Clean Cycle” sections for more information.</p>
Mineral deposits are left on the oven bottom after the Clean cycle	<p>Tap water was used in the Clean cycle - Use distilled or filtered water in the Clean cycle. To remove deposits, use a cloth soaked with vinegar. Then use a cloth dampened with water to thoroughly remove any vinegar residue.</p> <p>Range is not level - Mineral deposits will collect on dry areas of the oven bottom during the Clean cycle. Level the range. See the Installation Instructions. To remove deposits, use a cloth soaked with vinegar. Then use a cloth dampened with water to thoroughly remove any vinegar residue.</p>
Oven cooking results not what expected	<p>Range is not level - Level the range. See the Installation Instructions.</p> <p>The set temperature was incorrect - Double-check the recipe in a reliable cookbook.</p> <p>Oven temperature needs adjustment - See “Oven Temperature Control” in the “Electronic Oven Controls” section.</p> <p>Oven was not preheated - See the “Baking and Roasting” section.</p> <p>Racks were positioned improperly - See the “Positioning Racks and Bakeware” section.</p> <p>Not enough air circulation around bakeware - See the “Positioning Racks and Bakeware” section.</p> <p>Batter distributed unevenly in pan - Check that batter is level in the pan.</p> <p>Darker browning of food caused by dull or dark bakeware - Lower oven temperature 25°F (15°C) or move rack to a higher position in the oven.</p> <p>Lighter browning of food caused by shiny or light colored bakeware - Move rack to a lower position in the oven.</p> <p>Incorrect length of cooking time was used - Adjust cooking time.</p> <p>Oven door was not closed - Be sure that the bakeware does not keep the door from closing.</p> <p>Oven door was opened during cooking - Oven peeking releases oven heat and can result in longer cooking times.</p> <p>Rack is too close to bake burner, making baked items too brown on bottom - Move rack to higher position in the oven.</p> <p>Pie crusts browning too quickly - Use aluminum foil to cover the edge of the crust and/or reduce baking temperature.</p>

Noises

PROBLEM	POSSIBLE CAUSES AND/OR SOLUTIONS
Surface burner making popping noises	Wet burner - Allow it to dry.
Gas range noises during Bake and Broil operations The following are some normal sounds with the explanations.	These sounds are normal operational noises that can be heard each time the Bake or Broil burners ignite during the cycle.
Pop	Gas valve is opening or cycling on and will make a single pop when it snaps open from the solenoid. It sounds similar to a suction cup being pulled off of a piece of glass - This is normal.
Click	The igniters will click several times until the flame is detected. These are short clicking sounds like tapping a nail onto a piece of glass - This is normal. Convection fan relay is cycling on and off (on some models) - This is normal.
Woosh or poof	Bake or Broil burner is igniting - This is normal.
Oven burner flames are yellow or noisy	Range converted improperly - If propane gas is being used, contact a service technician or see the "Warranty" section for contact information.

ACCESSORIES

For accessories in the U.S.A., you can visit our website at www.kitchenaid.com or call us at **1-800-422-1230**.
In Canada, visit our website at www.kitchenaid.ca or call us at **1-800-807-6777**.

affresh® Stainless Steel Cleaner

Order Part Number W10355016
(stainless steel models)

affresh® Stainless Steel Cleaning Wipes

Order Part Number W10355049
(stainless steel models)

affresh® Kitchen and Appliance Cleaner

Order Part Number W10355010

affresh® Cooktop Cleaner

Order Part Number W10355051

AquaLift® Technology Oven Cleaning Kit

Order Part Number W10423113RP

Granite Cleaner and Polish

Order Part Number W10275756

Gas Grate and Drip Pan Cleaner

Order Part Number 31617A

Cooktop Grate

Order Part Number W10676612
(black/white models)
Order Part Number W10676606
(stainless steel models)

Individual Grates

Order Part Number W10623504
(black/white models)
Order Part Number W10623508
(right grate stainless steel models)
Order Part Number W10623506
(left grate, stainless steel models)

Split Oven Rack

Order Part Number W10205524

Max Capacity Rack

Order Part Number W10289145

Porcelain Broiler Pan and Grid

Order Part Number 4396923

Premium Broiler Pan and Roasting Rack

Order Part Number W10123240

Roll-Out Rack

Order Part Number W10570870

KITCHENAID® GAS RANGE LIMITED WARRANTY

ATTACH YOUR RECEIPT HERE. PROOF OF PURCHASE IS REQUIRED TO OBTAIN WARRANTY SERVICE.

Please have the following information available when you call the Customer eXperience Center:

- Name, address and telephone number
- Model number and serial number
- A clear, detailed description of the problem
- Proof of purchase including dealer or retailer name and address

IF YOU NEED SERVICE:

1. Before contacting us to arrange service, please determine whether your product requires repair. Some questions can be addressed without service. Please take a few minutes to review the Troubleshooting or Problem Solver section of the Use and Care Guide, scan the QR code on the right to access additional resources, or visit <http://kitchenaid.custhelp.com>.
2. All warranty service is provided exclusively by our authorized KitchenAid Service Providers. In the U.S. and Canada, direct all requests for warranty service to:

KitchenAid Customer eXperience Center

In the U.S.A., call 1-800-422-1230. In Canada, call 1-800-807-6777.

If outside the 50 United States or Canada, contact your authorized KitchenAid dealer to determine whether another warranty applies.



<http://kitchenaid.custhelp.com>

FIVE YEAR LIMITED WARRANTY

WHAT IS COVERED

FIRST YEAR LIMITED WARRANTY (PARTS AND LABOR)

For one year from the date of purchase, when this major appliance is installed, operated and maintained according to instructions attached to or furnished with the product, KitchenAid brand of Whirlpool Corporation or Whirlpool Canada, LP (hereafter "KitchenAid") will pay for factory specified replacement parts and repair labor to correct defects in materials or workmanship that existed when this major appliance was purchased or, at its sole discretion replace the product. In the event of product replacement, your appliance will be warranted for the remaining term of the original unit's warranty period.

SECOND THROUGH FIFTH YEAR LIMITED WARRANTY (CERTAIN COMPONENT PARTS ONLY - LABOR NOT INCLUDED)

In the second through fifth years from the date of original purchase, when this major appliance is installed, operated and maintained according to instructions attached to or furnished with the product, KitchenAid will pay for factory specified parts for the following components to correct non-cosmetic defects in materials or workmanship in these parts that prevent function of this major appliance and that existed when this major appliance was purchased. This is a limited 5-year warranty on the below named parts only and does not include repair labor.

- Any gas burner
- Solid state touch control system parts

YOUR SOLE AND EXCLUSIVE REMEDY UNDER THIS LIMITED WARRANTY SHALL BE PRODUCT REPAIR AS PROVIDED HEREIN. Service must be provided by a KitchenAid designated service company. This limited warranty is valid only in the United States or Canada and applies only when the major appliance is used in the country in which it was purchased. This limited warranty is effective from the date of original consumer purchase. Proof of original purchase date is required to obtain service under this limited warranty.

WHAT IS NOT COVERED

1. Commercial, non-residential or multiple-family use, or use inconsistent with published user, operator or installation instructions.
2. In-home Instruction on how to use your product.
3. Service to correct improper product maintenance or installation, installation not in accordance with electrical or plumbing codes or correction of household electrical or plumbing (i.e. house wiring, fuses or water inlet hoses).
4. Consumable parts (i.e. light bulbs, batteries, air or water filters, etc.).
5. Defects or damage caused by the use of non-genuine KitchenAid parts or accessories.
6. Conversion of your product from natural gas or L.P. gas.
7. Damage from accident, misuse, abuse, fire, floods, acts of God or use with products not approved by KitchenAid.
8. Repairs to parts or systems to correct product damage or defects caused by unauthorized service, alteration or modification of the appliance.
9. Cosmetic damage including scratches, dents, chips, and other damage to appliance finishes unless such damage results from defects in materials and workmanship and is reported to KitchenAid within 30 days.
10. Discoloration, rust or oxidation of surfaces resulting from caustic or corrosive environments including but not limited to high salt concentrations, high moisture or humidity or exposure to chemicals.
11. Food loss due to product failure.
12. Pick-up or delivery. This product is intended for in-home repair.
13. Travel or transportation expenses for service in remote locations where an authorized KitchenAid servicer is not available.
14. Removal or reinstallation of inaccessible appliances or built-in fixtures (i.e. trim, decorative panels, flooring, cabinetry, islands, countertops, drywall, etc.) that interfere with servicing, removal or replacement of the product.
15. Service or parts for appliances with original model/serial numbers removed, altered or not easily determined.

The cost of repair or replacement under these excluded circumstances shall be borne by the customer.

DISCLAIMER OF IMPLIED WARRANTIES

IMPLIED WARRANTIES, INCLUDING ANY IMPLIED WARRANTY OF MERCHANTABILITY OR IMPLIED WARRANTY OF FITNESS FOR A PARTICULAR PURPOSE, ARE LIMITED TO ONE YEAR OR THE SHORTEST PERIOD ALLOWED BY LAW. Some states and provinces do not allow limitations on the duration of implied warranties of merchantability or fitness, so this limitation may not apply to you. This warranty gives you specific legal rights, and you also may have other rights that vary from state to state or province to province.

DISCLAIMER OF REPRESENTATIONS OUTSIDE OF WARRANTY

KitchenAid makes no representations about the quality, durability, or need for service or repair of this major appliance other than the representations contained in this warranty. If you want a longer or more comprehensive warranty than the limited warranty that comes with this major appliance, you should ask KitchenAid or your retailer about buying an extended warranty.

LIMITATION OF REMEDIES; EXCLUSION OF INCIDENTAL AND CONSEQUENTIAL DAMAGES

YOUR SOLE AND EXCLUSIVE REMEDY UNDER THIS LIMITED WARRANTY SHALL BE PRODUCT REPAIR AS PROVIDED HEREIN. KITCHENAID SHALL NOT BE LIABLE FOR INCIDENTAL OR CONSEQUENTIAL DAMAGES. Some states and provinces do not allow the exclusion or limitation of incidental or consequential damages, so these limitations and exclusions may not apply to you. This warranty gives you specific legal rights, and you also may have other rights that vary from state to state or province to province.

MERCI d'avoir acheté ce produit de grande qualité. Enregistrer la cuisinière sur www.kitchenaid.ca.

Pour référence ultérieure, consigner par écrit les numéros de modèle et de série de votre produit. Vous trouvez les numéros de modèle et de série sur le châssis du four, derrière la partie supérieure droite de la porte du four.

Numéro de modèle _____ Numéro de série _____

Table des matières

SÉCURITÉ DE LA CUISINIÈRE	22
La bride antibasculement.....	23
GUIDE DES CARACTÉRISTIQUES	25
UTILISATION DE LA TABLE DE CUISSON	27
Grilles	28
Plaque à frire	28
Brûleurs de surface scellés	28
Taille du brûleur	29
Ustensiles de cuisson	29
Mise en conserve à la maison.....	30
UTILISATION DU FOUR	30
Commandes électroniques du four	30
Maintien au chaud.....	32
Mode Sabbat.....	32
Papier d'aluminium.....	32
Positionnement des grilles et des ustensiles de cuisson au four.....	32
Évent du four	33
Cuisson au four et rôtissage	33
Cuisson au gril.....	34
Cuisson par convection	34
Conversion EasyConvect™	35
Levée du pain	35
Durée de cuisson.....	35
ENTRETIEN DE LA CUISINIÈRE	36
Programme de nettoyage	36
Nettoyage général	37
Lampe du four	38
DÉPANNAGE	38
ACCESSOIRES	41
GARANTIE	42

SÉCURITÉ DE LA CUISINIÈRE

Votre sécurité et celle des autres est très importante.

Nous donnons de nombreux messages de sécurité importants dans ce manuel et sur votre appareil ménager. Assurez-vous de toujours lire tous les messages de sécurité et de vous y conformer.



Voici le symbole d'alerte de sécurité.

Ce symbole d'alerte de sécurité vous signale les dangers potentiels de décès et de blessures graves à vous et à d'autres.

Tous les messages de sécurité suivront le symbole d'alerte de sécurité et le mot "DANGER" ou "AVERTISSEMENT". Ces mots signifient :

! DANGER

Risque possible de décès ou de blessure grave si vous ne suivez pas immédiatement les instructions.

! AVERTISSEMENT

Risque possible de décès ou de blessure grave si vous ne suivez pas les instructions.

Tous les messages de sécurité vous diront quel est le danger potentiel et vous disent comment réduire le risque de blessure et ce qui peut se produire en cas de non-respect des instructions.

AVERTISSEMENT : Si les renseignements dans ce manuel ne sont pas exactement observés, un incendie ou une explosion peut survenir, causant des dommages au produit, des blessures ou un décès.

- Ne pas entreposer ni utiliser de l'essence ou d'autres vapeurs ou liquides inflammables à proximité de cet appareil ou de tout autre appareil électroménager.
- QUE FAIRE DANS LE CAS D'UNE ODEUR DE GAZ :
 - Ne pas tenter d'allumer un appareil.
 - Ne pas toucher à un commutateur électrique.
 - Ne pas utiliser le téléphone se trouvant sur les lieux.
 - Appeler immédiatement le fournisseur de gaz à partir du téléphone d'un voisin. Suivre ses instructions.
 - À défaut de joindre votre fournisseur de gaz, appeler les pompiers.
- L'installation et l'entretien doivent être effectués par un installateur qualifié, une agence de service ou le fournisseur de gaz.

AVERTISSEMENT : L'odorat ne permet pas toujours la détection d'une fuite de gaz.

Les distributeurs de gaz recommandent l'emploi d'un détecteur de gaz (homologation UL ou CSA).

Pour d'autres informations, contacter le fournisseur de gaz local.

En cas de détection d'une fuite de gaz, exécuter les instructions "Que faire dans le cas d'une odeur de gaz".

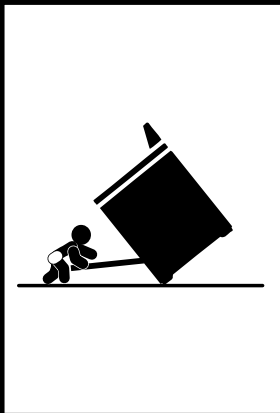
Avertissements de la proposition 65 de l'État de Californie :

AVERTISSEMENT : Ce produit contient au moins un produit chimique connu par l'État de Californie pour être à l'origine de cancers.

AVERTISSEMENT : Ce produit contient au moins un produit chimique connu par l'État de Californie pour être à l'origine de malformations et autres déficiences de naissance.

La bride antibasculement

Dans des conditions de service normales, la cuisinière ne bascule pas. Elle peut cependant basculer si une force ou un poids excessif est appliqué sur la porte ouverte alors que la bride antibasculement n'est pas convenablement fixée.



⚠ AVERTISSEMENT

Risque de basculement

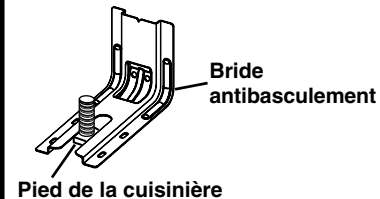
Un enfant ou une personne adulte peut faire basculer la cuisinière, ce qui peut causer un décès.

Vérifier que la bride antibasculement est bien installée et engagée, conformément aux instructions d'installation.

Réengager la bride antibasculement si la cuisinière a été déplacée.

Ne pas faire fonctionner la cuisinière si la bride antibasculement n'est pas installée et engagée.

Le non-respect de ces instructions peut causer un décès ou des brûlures graves aux enfants et aux adultes.



Pour vérifier que la bride antibasculement est bien installée et engagée :

- Faire glisser la cuisinière vers l'avant.
- Vérifier que la bride antibasculement est bien fixée au plancher ou au mur.
- Faire de nouveau glisser la cuisinière vers l'arrière de sorte que le pied de la cuisinière se trouve sous la bride antibasculement.
- Voir les instructions d'installation pour plus de détails.

IMPORTANTES INSTRUCTIONS DE SÉCURITÉ

AVERTISSEMENT : Pour réduire le risque d'incendie, de choc électrique, de blessures ou de dommages lors de l'utilisation de la cuisinière, il convient d'observer certaines précautions élémentaires dont les suivantes :

■ **AVERTISSEMENT :** POUR MINIMISER LE RISQUE DE BASCULEMENT DE LA CUISINIÈRE, ELLE DOIT ÊTRE BIEN IMMOBILISÉE PAR DES DISPOSITIFS ANTIBASCULEMENT CORRECTEMENT INSTALLÉS. POUR VÉRIFIER SI LES DISPOSITIFS SONT CORRECTEMENT INSTALLÉS, GLISSER LA CUISINIÈRE VERS L'AVANT ET VÉRIFIER SI LA BRIDE ANTIBASCULEMENT EST BIEN FIXÉE AU PLANCHER OU AU MUR, ET GLISSER LA CUISINIÈRE VERS L'ARRIÈRE POUR QUE LE PIED ARRIÈRE DE LA CUISINIÈRE SOIT SOUS LA BRIDE ANTIBASCULEMENT.

■ **AVERTISSEMENT :** NE JAMAIS utiliser cet appareil comme dispositif de chauffage de la pièce. Le non-respect de cette instruction peut entraîner une intoxication au monoxyde de carbone et une surchauffe du four.

■ **AVERTISSEMENT :** NE JAMAIS couvrir les fentes, trous ou passages d'air au fond du four ou couvrir entièrement une grille avec des matériaux tels que du papier d'aluminium. Le non-respect de cette instruction empêche la circulation de l'air dans le four et peut entraîner une intoxication au monoxyde de carbone. Les feuilles de papier d'aluminium peuvent également retenir la chaleur et créer un risque d'incendie.

■ **MISE EN GARDE :** Ne pas remiser dans des armoires au-dessus de la cuisinière ou sur le dossier d'une cuisinière, des objets que des enfants pourraient vouloir atteindre. Les enfants pourraient se blesser gravement en grimant sur la cuisinière.

■ Installation appropriée – La cuisinière, lorsqu'elle est correctement installée, doit être reliée à la terre conformément aux codes électriques locaux ou, en l'absence de codes locaux, selon le *Code électrique national (US) ANSI/NFPA 70* ou le *Code canadien de l'électricité*. S'assurer que la cuisinière est correctement installée et reliée à la terre par un technicien qualifié.

■ Cette cuisinière est munie d'une fiche de liaison à la terre à trois broches pour votre protection contre les risques de choc électrique et doit être branchée directement dans une prise de courant bien reliée à la terre. Ne pas couper ni enlever la broche de liaison à la terre de cette fiche.

■ Déconnecter la source de courant électrique avant l'entretien.

■ Des blessures peuvent survenir du fait d'un mauvais usage des portes ou des tiroirs de l'appareil tel que se tenir debout sur la surface, se pencher ou s'asseoir sur les portes ou tiroirs.

■ Entretien – Garder l'espace autour de la cuisinière dégagé et libre de matériaux combustibles, d'essence et d'autres vapeurs et liquides inflammables.

■ Remisage dans ou sur la cuisinière – Des produits inflammables ne devraient pas être remisés dans un four ou près des éléments de surface.

■ La taille de la flamme des brûleurs de surface devrait être ajustée de sorte qu'elle ne dépasse pas le bord de l'ustensile de cuisson.

Cuisinière autonettoyante –

■ Avant l'autonettoyage du four – Ôter la lèchefrite et son plat et les autres ustensiles. Essuyer tous les renversements excessifs avant de mettre en marche le programme d'autonettoyage.

CONSERVEZ CES INSTRUCTIONS

GUIDE DES CARACTÉRISTIQUES

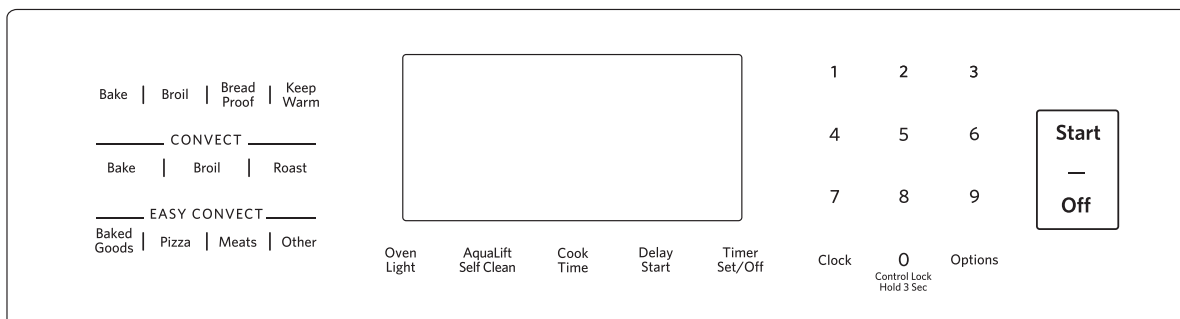
Ce manuel couvre différents modèles. Le modèle que vous avez peut comporter toutes les caractéristiques énumérées ou seulement certaines d'entre elles. Se reporter à ce manuel ou à la section du service à la clientèle de notre site Web sur www.kitchenaid.ca pour des instructions plus détaillées.

! AVERTISSEMENT

Risque d'empoisonnement alimentaire

Ne pas laisser des aliments dans un four plus d'une heure avant ou après la cuisson.

Le non-respect de cette instruction peut causer un empoisonnement alimentaire ou une maladie.



TOUCHE	CARACTÉRISTIQUE	INSTRUCTIONS
CLOCK (horloge)	Horloge	<p>Cette horloge peut utiliser un programme de 12 ou 24 heures. Voir la section “Commandes électroniques du four”.</p> <ol style="list-style-type: none"> Appuyer sur CLOCK (horloge). Appuyer sur “3” pour AM (heure du matin) ou “6” pour PM (heure de l'après-midi). Appuyer sur les touches numériques pour régler l'heure. Appuyer sur CLOCK (horloge) ou START (mise en marche).
OVEN LIGHT (lampe du four)	Lampe de la cavité du four	<p>Alors que la porte du four est fermée, appuyer sur OVEN LIGHT (lampe du four) pour allumer ou éteindre la lampe. La lampe du four s'allume à l'ouverture de la porte.</p>
TIMER SET/OFF (minuterie réglage/arrêt)	Minuterie du four	<p>La minuterie peut être réglée en heures ou en minutes jusqu'à concurrence de 9 heures et 59 minutes.</p> <ol style="list-style-type: none"> Appuyer sur TIMER SET/OFF (réglage/arrêt de la minuterie). Appuyer sur les touches numériques pour régler la durée en hr-min-min. Les zéros de gauche peuvent ne pas être entrés. Entrer “2” pour 2 minutes par exemple. Appuyer sur TIMER SET/OFF (réglage/arrêt de la minuterie) pour commencer le compte à rebours. Si activés, les signaux sonores de fin de programme retentissent à la fin du compte à rebours. Appuyer sur TIMER SET/OFF (réglage/arrêt de la minuterie) pour annuler la minuterie et revenir à l'heure du jour. Ne pas appuyer sur la touche Off (arrêt), sinon le four s'éteindra.
START (mise en marche)	Démarrage de la cuisson	<p>La touche Start met en marche n'importe quelle fonction du four. Si, après avoir appuyé sur une touche, on n'appuie pas sur Start dans les 2 minutes qui suivent, la fonction est annulée et l'heure s'affiche.</p>
OFF (arrêt)	Fonction de la cuisinière	<p>La touche Off (arrêt) désactive toutes les fonctions du four à l'exception de l'horloge, de la minuterie, et du verrouillage des commandes.</p>
BAKE (cuisson au four)	Cuisson au four et rôtissage	<ol style="list-style-type: none"> Appuyer sur BAKE (cuisson au four). Utiliser les touches numériques pour régler la température souhaitée. Si la température entrée ne se trouve pas dans la fourchette des températures autorisées, la température minimale ou maximale autorisée s'affiche. Entrer une température dans la fourchette autorisée. Appuyer sur START (mise en marche). Pour modifier la température, répéter l'étape 2. Appuyer sur START (mise en marche) pour que le changement puisse s'effectuer. Appuyer sur OFF (arrêt) après avoir terminé.

TOUCHE	CARACTÉRISTIQUE	INSTRUCTIONS
BROIL (cuisson au grill)	Cuisson au grill	<ol style="list-style-type: none"> Appuyer sur BROIL (cuisson au grill). Sélectionner la température de cuisson au grill en appuyant sur “1” - élevée (500°F [261°C]), “2” - moyenne (450°F [234°C]) ou “3” - basse (400°F [204°C]). Appuyer sur START (mise en marche). Placer les ustensiles de cuisson dans le four et fermer la porte du four. Appuyer sur OFF (arrêt) après avoir terminé.
CONVECT BAKE (cuisson au four par convection)	Cuisson par convection	<ol style="list-style-type: none"> Appuyer sur CONVECT BAKE (cuisson au four par convection). Utiliser les touches numériques pour régler la température souhaitée. Si la température entrée ne se trouve pas dans la fourchette des températures autorisées, la température minimale ou maximale autorisée s'affiche. Entrer une température dans la fourchette autorisée. Appuyer sur START (mise en marche). Pour modifier la température, répéter l'étape 2. Appuyer sur START (mise en marche) pour que le changement puisse s'effectuer. Appuyer sur OFF (arrêt) après avoir terminé.
CONVECT ROAST (rôtissage par convection)	Cuisson par convection	<ol style="list-style-type: none"> Appuyer sur CONVECT ROAST (rôtissage par convection). Utiliser les touches numériques pour régler la température souhaitée. Si la température entrée ne se trouve pas dans la fourchette des températures autorisées, la température minimale ou maximale autorisée s'affiche. Entrer une température dans la fourchette autorisée. Appuyer sur START (mise en marche). Pour modifier la température, répéter l'étape 2. Appuyer sur START (mise en marche) pour que le changement puisse s'effectuer. Appuyer sur OFF (arrêt) après avoir terminé.
CONVECT BROIL (cuisson au grill par convection)	Cuisson par convection	<ol style="list-style-type: none"> Appuyer sur CONVECT BROIL (cuisson au grill par convection). Utiliser les touches numériques pour régler la température souhaitée. Si la température entrée ne se trouve pas dans la fourchette des températures autorisées, la température minimale ou maximale autorisée s'affiche. Entrer une température dans la fourchette autorisée. Appuyer sur START (mise en marche). Pour modifier la température, répéter l'étape 2. Appuyer sur START (mise en marche) pour que le changement puisse s'effectuer. Appuyer sur OFF (arrêt) après avoir terminé.
EASYCONVECT™ CONVERSION (conversion EasyConvect™)	Conversion de recette pour cuisson par convection	<p>REMARQUE : Pour de meilleurs résultats, préchauffer le four à la température requise avant d'utiliser la conversion EasyConvect™. Une fois le préchauffage terminé, appuyer sur OFF (arrêt) avant d'utiliser la conversion EasyConvect™.</p> <ol style="list-style-type: none"> Appuyer sur la touche EasyConvect™ adéquate (MEATS [viandes], PIZZA, BAKED GOODS [produits de boulangerie] ou OTHER [autre]). Appuyer sur START (mise en marche). Appuyer sur les touches numériques pour entrer la température de cuisson standard puis appuyer sur START (mise en marche). Appuyer sur les touches numériques pour entrer une durée de cuisson standard puis appuyer sur START (mise en marche). Placer les aliments dans le four. Contrôler le degré de cuisson des aliments avant que l'heure de fin ne soit atteinte. Si les aliments ne sont pas cuits une fois la durée de cuisson écoulée, prolonger la cuisson avant que la cuisson ne soit terminée. Voir la section “Durée de cuisson”. Une fois la durée écoulée, le four s'éteint automatiquement. Appuyer sur OFF (arrêt) après avoir terminé. Consulter la section “Conversion EasyConvect™” pour plus d'informations.
BREAD PROOF (levée du pain)	Levée du pain	<ol style="list-style-type: none"> Appuyer sur BREAD PROOF (levée du pain) jusqu'à ce que le type de levée souhaité s'affiche (“Standard Proof” [levée standard] ou “Rapid Proof” [levée rapide]). REMARQUE : “Rapid Proof” fonctionne à une température légèrement supérieure pour la deuxième levée d'une pâte pré-moulée. Appuyer sur START (mise en marche). Laisser la pâte lever jusqu'à ce qu'elle ait presque doublé de volume. La durée de levée du pain peut varier en fonction du type de pâte et de la quantité. Appuyer sur OFF (arrêt) après avoir terminé la levée. Consulter la section “Levée du pain” pour plus d'informations.

TOUCHE	CARACTÉRISTIQUE	INSTRUCTIONS
KEEP WARM (maintien au chaud)	Maintien au chaud	Les aliments doivent être à la température de service avant d'être placés dans le four chauffé. <ol style="list-style-type: none"> Appuyer sur KEEP WARM (maintien au chaud). Utiliser les touches numériques pour régler la température souhaitée. Si la température entrée ne se trouve pas dans la fourchette des températures autorisées, la température minimale ou maximale autorisée s'affiche. Entrer une température dans la fourchette autorisée. Appuyer sur START (mise en marche). Appuyer sur OFF (arrêt) après avoir terminé.
DELAY START (mise en marche différée)	Mise en marche différée	La touche Delay Start (mise en marche différée) sert à entrer l'heure de mise en marche pour un four équipé d'une fonction de mise en marche différée. La mise en marche différée ne doit pas être utilisée pour les aliments tels que pains et gâteaux, car ils risquent de ne pas bien cuire. Pour régler une cuisson minutée ou une durée de cuisson différée, voir la section "Durée de cuisson".
COOK TIME (durée de cuisson)	Durée de cuisson	La fonction de durée de cuisson permet d'allumer le four à une certaine heure de la journée, d'effectuer une cuisson pendant une durée déterminée et/ou d'éteindre le four automatiquement. Pour régler une cuisson minutée ou une durée de cuisson différée, voir la section "Durée de cuisson".
AQUALIFT SELF CLEAN (autonettoyage AquaLift)	Programme d'autonettoyage AquaLift®	Voir la section "Programme de nettoyage".
CONTROL LOCK hold 3 sec. to lock (verrouillage des commandes appuyer pendant 3 s pour verrouiller)	Verrouillage des commandes du four	Aucune touche ne fonctionne lorsque les commandes sont verrouillées. <ol style="list-style-type: none"> Vérifier que le four et la minuterie sont éteints. Appuyer sur la touche "0" pendant 3 secondes. Si cette fonction est activée, un signal sonore retentit et "TABLEAU DE COMMANDE VERROUILLÉ" s'affiche. Répéter pour déverrouiller.
OPTIONS	Fonctions d'utilisation du four	Permet de personnaliser les signaux sonores audibles et le fonctionnement du four pour convenir à vos besoins. Voir la section "Utilisation du four".

UTILISATION DE LA TABLE DE CUISSON

⚠ AVERTISSEMENT





Risque d'incendie

La flamme d'un brûleur ne devrait pas dépasser le bord du récipient de cuisson.

Fermer tous les réglages lorsque la cuisson est terminée.


Le non-respect de ces instructions peut causer un décès ou un incendie.


Réglage :

- Enfoncer et tourner le bouton dans le sens antihoraire à .
Tous les brûleurs de surface émettront un déclic. Seul le brûleur dont le bouton de commande est placé sur  produira une flamme.
- Tourner le bouton à n'importe quel réglage entre H (élevé) et L (bas).

N'OUBLIEZ PAS : Lors de l'utilisation de la cuisinière, toute la surface de la table de cuisson peut devenir chaude.

Panne de courant

En cas de panne de courant prolongée, les brûleurs de surface peuvent être allumés manuellement. Tenir une allumette allumée près d'un brûleur et tourner le bouton dans le sens antihoraire à . Une fois le brûleur allumé, tourner le bouton au réglage souhaité.

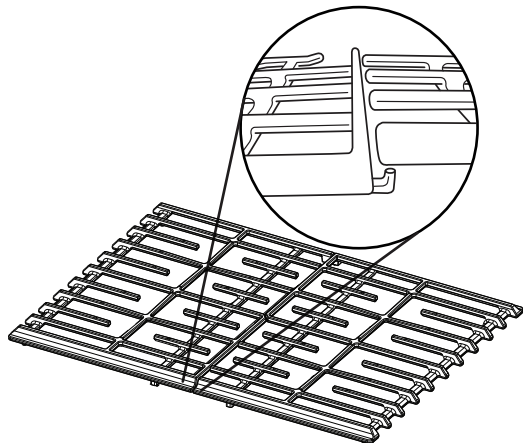
Des allumeurs électriques allument automatiquement les brûleurs de surface lorsque les boutons de commande sont tournés à  (allumage).

Avant de régler un bouton de commande, placer l'ustensile de cuisson rempli sur la grille. Ne pas faire fonctionner un brûleur avec un ustensile de cuisson vide ou sans ustensile de cuisson sur la grille.

La flamme doit être réglée de sorte qu'elle ne dépasse pas du plat.

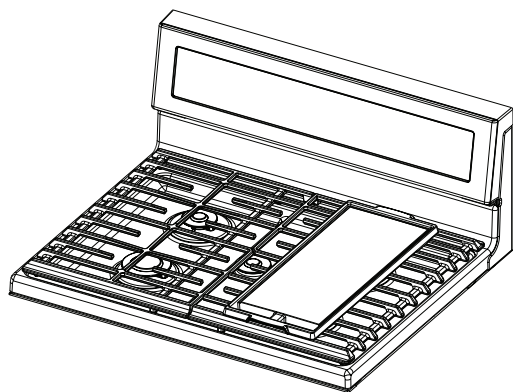
Grilles

Les grilles de cette cuisinière couvrent toute la table de cuisson en largeur. Il est possible d'imbriquer les deux grilles à l'aide du crochet situé à une extrémité de chacune d'entre elles (sur certains modèles). L'extrémité plate d'une des grilles s'emboîte sur le crochet de l'autre grille tel qu'indiqué dans l'illustration suivante.



Sur certains modèles, les deux grilles sont identiques et peuvent être utilisées du côté gauche ou droit de la table de cuisson. Les grilles conçues pour être utilisées uniquement sur un côté de la table de cuisson portent les indications "LEFT" (gauche) ou "RIGHT" (droite) sur leur face inférieure.

Plaque à frire



Plaque à frire installée sur le côté droit de la table de cuisson

Utilisation de la plaque à frire :

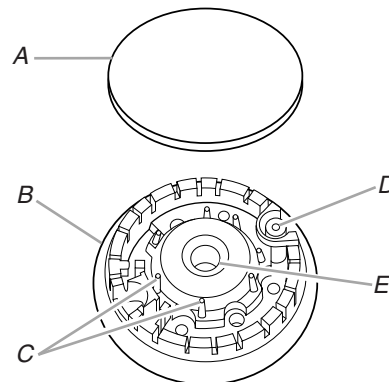
1. Placer la plaque à frire sur le côté droit de la grille comme indiqué. Le pied de positionnement qui se trouve au fond de la plaque à frire s'accroche aux dents de la grille pour empêcher la plaque à frire de glisser.
2. Avant chaque utilisation, passer une fine couche d'huile de cuisson afin d'empêcher les aliments de coller. Les aérosols de cuisine peuvent laisser des résidus collants, difficiles à enlever, sur la plaque à frire.
3. Préchauffer la plaque à frire pendant 5 minutes. Préchauffer la plaque à frire lentement assure une distribution uniforme de la chaleur et permet d'éviter la déformation de la plaque à frire.
4. Pour le préchauffage et la cuisson, régler le brûleur avant sur le réglage de chaleur le plus bas et le brûleur arrière sur une chaleur moyennement élevée afin de garantir les meilleures performances.

REMARQUE : La plaque à frire peut aussi être utilisée sur le côté gauche de la grille. Pour obtenir les meilleurs résultats, le réglage du brûleur arrière doit être réglé à Medium-Low (moyen-faible) ou à Medium (moyen), et le brûleur avant doit être réglé à Low (faible).

Nettoyage de la plaque à frire :

1. Laisser la plaque à frire refroidir, et ensuite vider le plateau d'égouttement.
2. Voir la section "Nettoyage général" pour les instructions de nettoyage.
3. Remiser la plaque à frire dans un endroit frais et sec.

Brûleurs de surface scellés

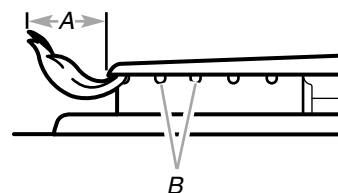


- A. Chapeau de brûleur
- B. Base du brûleur
- C. Tiges d'alignement
- D. Allumeur
- E. Ouverture du tube d'arrivée de gaz

IMPORTANT : Ne pas entraver le débit de gaz de combustion et de l'air de ventilation autour des bords des grilles de brûleur.

Chapeau de brûleur : Toujours garder le chapeau du brûleur en place lorsqu'un brûleur de surface est utilisé. Un chapeau de brûleur propre empêche un mauvais allumage et une flamme inégale. Toujours nettoyer le chapeau de brûleur après un renversement, enlever et nettoyer régulièrement les chapeaux conformément à la section "Nettoyage général".

Ouverture du tube d'arrivée de gaz : Pour que le brûleur s'allume convenablement, il faut que le gaz puisse passer librement à travers l'ouverture du tube d'arrivée de gaz. Garder cette zone exempte de souillures et veiller à ce que les renversements, aliments, agents de nettoyage ou autre matériau ne puissent pénétrer dans l'ouverture du tube d'arrivée de gaz. Protéger le tube d'arrivée de gaz contre les renversements en utilisant toujours un chapeau de brûleur.



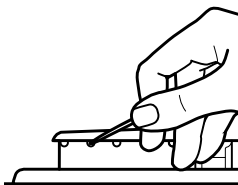
- A. 1 à 1 1/2" (2,5 à 3,8 cm)
- B. Orifices de brûleur

Orifices de brûleur : Examiner occasionnellement les flammes des brûleurs pour en vérifier la taille et la forme tel qu'indiqué ci-dessus. Une bonne flamme est bleue, pas jaune. Il est essentiel de garder cette zone exempte de souillures et de veiller à ce que les renversements, aliments, agents de nettoyage ou autre matériau ne puissent pénétrer dans les orifices de brûleur.

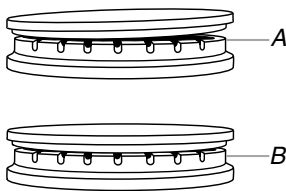
Nettoyage :

IMPORTANT : Avant de faire le nettoyage, s'assurer que toutes les commandes sont éteintes et que le four et la table de cuisson sont froids. Ne pas utiliser de nettoyants à four, agents de blanchiment ou décapants à rouille.

1. Enlever le chapeau de brûleur de la base du brûleur et nettoyer conformément à la section "Nettoyage général".
2. Nettoyer l'ouverture du tube d'arrivée de gaz avec un linge humide.
3. Nettoyer les orifices de brûleur obstrués avec une épingle droite tel qu'indiqué. Ne pas agrandir ni déformer les orifices. Ne pas utiliser un cure-dent en bois. Si le brûleur a besoin d'être ajusté, faire venir un technicien de réparation qualifié.



4. Réinstaller le chapeau de brûleur et s'assurer que les tiges d'alignement sont bien alignées avec le chapeau de brûleur.

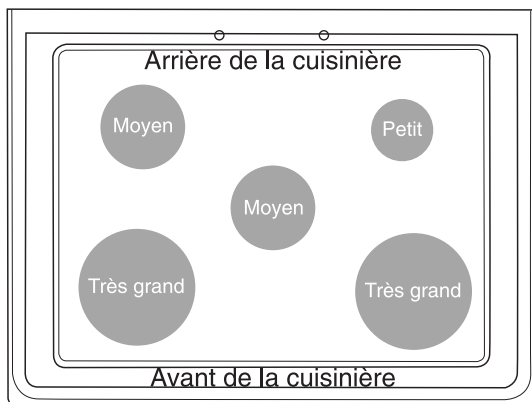


A. Incorrect
B. Correct

5. Allumer le brûleur. Si le brûleur ne s'allume pas, vérifier l'alignement du chapeau. Si le brûleur ne s'allume toujours pas, ne pas faire soi-même la réparation du brûleur scellé. Contacter un technicien de réparation qualifié.

Taille du brûleur

Sélectionner un brûleur qui convient le plus aux ustensiles de cuisson utilisés. Voir le tableau et l'illustration suivants.



Taille du brûleur	Utilisation recommandée
Petite taille	<ul style="list-style-type: none"> ■ Cuisson à basse température ■ Faire fondre le chocolat ou le beurre
Taille moyenne	<ul style="list-style-type: none"> ■ Brûleur multifonction
Très grande taille	<ul style="list-style-type: none"> ■ Le brûleur le plus puissant ■ Pour les ustensiles de cuisson de grande taille

Ustensiles de cuisson

IMPORTANT : Ne pas laisser d'ustensile de cuisson vide sur une surface de cuisson, un élément ou un brûleur de surface chauds.

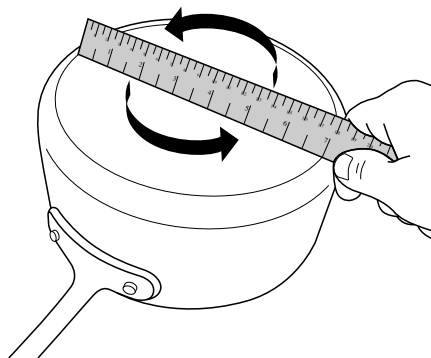
Les ustensiles de cuisson idéals doivent avoir un fond plat, des parois droites, un couvercle qui ferme hermétiquement et le matériau doit être d'épaisseur moyenne à forte.

Les finis rugueux peuvent érafler la table de cuisson ou les grilles. L'aluminium et le cuivre peuvent être utilisés comme fond ou base d'un ustensile de cuisson.

Le matériau d'un ustensile a une influence sur la rapidité et l'uniformité de la transmission de la chaleur, lesquelles contribuent aux résultats de cuisson.

Les ustensiles de cuisson avec surface anti-adhésive ne doivent pas être utilisés sous le gril.

Vérifier que le récipient est plat en plaçant le bord plat d'une règle en travers du fond du récipient. Lorsque l'on fait tourner la règle, aucun espace ni aucune lumière ne devraient être visibles entre celle-ci et le récipient.

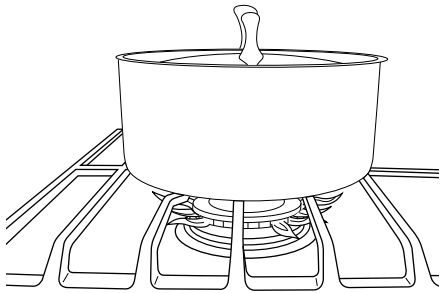


Utiliser le tableau suivant comme guide pour les caractéristiques du matériau d'ustensile de cuisson.

Ustensile	Caractéristiques
Aluminium	<ul style="list-style-type: none"> ■ Chauffe rapidement et uniformément. ■ Convient à tous les genres de cuisson. ■ L'épaisseur moyenne ou forte convient le mieux pour la plupart des tâches de cuisson.
Fonte	<ul style="list-style-type: none"> ■ Chauffe lentement et uniformément. ■ Convient pour le brunissage et la friture. ■ Maintient la chaleur pour une cuisson lente.
Céramique ou vitrocéramique	<ul style="list-style-type: none"> ■ Suivre les instructions du fabricant. ■ Chauffe lentement, mais inégalement. ■ Les meilleurs résultats sont obtenus sur les réglages de chaleur basse à moyenne.
Cuivre	<ul style="list-style-type: none"> ■ Chauffe très rapidement et uniformément. ■ Peut laisser des résidus de cuivre. Pour en réduire la quantité, les nettoyer immédiatement après la cuisson.
Terre cuite	<ul style="list-style-type: none"> ■ Suivre les instructions du fabricant. ■ Utiliser des réglages de température basse.

Ustensile	Caractéristiques
Acier émaillé en porcelaine ou fonte émaillée	<ul style="list-style-type: none"> ■ Voir acier inoxydable ou fonte.
Acier inoxydable	<ul style="list-style-type: none"> ■ Chauffe rapidement, mais inégalement. ■ Un fond ou une base d'aluminium ou de cuivre sur l'acier inoxydable procure un chauffage uniforme.

Pour les meilleurs résultats, les ustensiles de cuisson doivent être centrés au-dessus du brûleur tout en étant posés à l'horizontale au fond sur la grille. La flamme doit être réglée de sorte qu'elle ne s'étende pas sur les côtés du plat.



Mise en conserve à la maison

Lors de la préparation de conserves pendant de longues périodes, alterner l'utilisation des brûleurs de surface de cuisson entre chaque quantité préparée. Ceci permet aux dernières surfaces utilisées de refroidir.

- Centrer l'autoclave sur la grille au-dessus du brûleur.
- Ne pas placer l'autoclave sur 2 brûleurs de surface en même temps.
- Pour plus de renseignements, contacter votre bureau de développement agricole local, ou consulter les guides de mise en conserve domestique. Les compagnies qui fabriquent des produits pour la préparation de conserves peuvent aussi offrir de l'aide.

UTILISATION DU FOUR

Le fonctionnement normal de la cuisinière inclut plusieurs bruits qui peuvent être entendus chaque fois que les brûleurs de cuisson au four ou de cuisson au gril s'allument durant le programme de cuisson :

- les robinets de gaz peuvent faire un bruit "sec" lorsqu'ils s'ouvrent ou se ferment
- les allumeurs émettront plusieurs "déclics" jusqu'à ce qu'une flamme soit détectée

- un bruit "d'affaissement" se fait entendre lorsque le brûleur de cuisson au four ou de cuisson au gril s'allume

Des odeurs et de la fumée sont normales lorsque le four est utilisé les premières fois, ou lorsqu'il est très sale.

IMPORTANT : La santé de certains oiseaux est très sensible aux émanations de fumée. L'exposition aux émanations peut entraîner la mort de certains oiseaux. Toujours déplacer les oiseaux dans une autre pièce fermée et bien aérée.

Commandes électroniques du four

Affichage des commandes

L'affichage s'allume lorsqu'il est mis en marche pour la première fois ou après une coupure de courant. Lorsque le four n'est pas en marche, l'heure du jour est affichée.

Signaux sonores

Les signaux sonores indiquent ce qui suit :

Un seul signal sonore

- Appui sur une touche valide.
- Four préchauffé (signal sonore long).
- Minuterie de cuisine (signal sonore long avec un rappel, signal se répétant à intervalles de 60 secondes).
- Fonction entrée.

Trois signaux sonores

- Appui sur une touche non valide.

Quatre signaux sonores

- Fin de programme (avec un rappel, signal se répétant à intervalles de 60 secondes).

Appuyer sur OPTIONS pour modifier les réglages des signaux sonores.

Options

De nombreuses caractéristiques du module de commande du four peuvent être ajustées pour répondre à vos besoins. On effectue ces changements à l'aide de la touche Options.

Utiliser la touche Options pour faire défiler les caractéristiques qui peuvent être modifiées. L'affichage passe au réglage suivant à chaque pression supplémentaire sur Options. Après avoir sélectionné la caractéristique à modifier, la commande demande à l'utilisateur d'effectuer la manœuvre nécessaire. Les sections suivantes détaillent toutes les modifications de caractéristiques.

Appuyer sur OFF (arrêt) pour sortir du mode Options.

Fahrenheit et Celsius

Le four est pré-réglé pour un affichage de la température en degrés Fahrenheit, mais on peut le permuter en degrés Celsius.

1. Appuyer sur OPTIONS jusqu'à ce que "TEMP UNIT" (unité de température) s'affiche.
2. Le réglage utilisé à ce moment-là s'affiche.
3. Appuyer sur la touche "1" pour modifier le réglage.
4. Appuyer sur OFF (arrêt) pour enregistrer le réglage et afficher l'heure.

Désactivation des signaux sonores

Désactive tous les signaux sonores, y compris le signal sonore de fin de programme et les signaux sonores d'appui sur une touche.

1. Appuyer sur OPTIONS jusqu'à ce que "SOUND" (signaux) s'affiche.
2. Le réglage utilisé à ce moment-là s'affiche.
3. Appuyer sur la touche "1" pour modifier le réglage.
4. Appuyer sur OFF (arrêt) pour enregistrer le réglage et afficher l'heure.

Volume sonore

Règle le timbre du signal sonore à bas ou élevé.

1. Appuyer sur OPTIONS jusqu'à ce que "SOUND VOLUME" (volume sonore) s'affiche.
2. Le réglage utilisé à ce moment-là s'affiche.
3. Appuyer sur la touche "1" pour modifier le réglage.
4. Appuyer sur OFF (arrêt) pour enregistrer le réglage et afficher l'heure.

Signal sonore de fin de programme

Active ou désactive les signaux sonores qui retentissent à la fin d'un programme.

1. Appuyer sur OPTIONS jusqu'à ce que "END TONE" (signal de fin) s'affiche.
2. Le réglage utilisé à ce moment-là s'affiche.
3. Appuyer sur la touche "1" pour modifier le réglage.
4. Appuyer sur OFF (arrêt) pour enregistrer le réglage et afficher l'heure.

Signaux sonores d'appui sur une touche

Active ou désactive les signaux sonores lorsqu'on appuie sur une touche.

1. Appuyer sur OPTIONS jusqu'à ce que "KEYPRESS TONE" (signal de pression sur une touche) s'affiche.
2. Le réglage utilisé à ce moment-là s'affiche.
3. Appuyer sur la touche "1" pour modifier le réglage.
4. Appuyer sur OFF (arrêt) pour enregistrer le réglage et afficher l'heure.

Désactivation des signaux sonores de rappel

Désactive les courts signaux sonores qui retentissent toutes les minutes après les signaux sonores de fin de programme.

1. Appuyer sur OPTIONS jusqu'à ce que "REMINDER TONE" (signal de rappel) s'affiche.
2. Le réglage utilisé à ce moment-là s'affiche.
3. Appuyer sur la touche "1" pour modifier le réglage.
4. Appuyer sur OFF (arrêt) pour enregistrer le réglage et afficher l'heure.

Horloge 12/24 heures

1. Appuyer sur OPTIONS jusqu'à ce que "12/24 HOUR" (12/24 heures) s'affiche.
2. Le réglage utilisé à ce moment-là s'affiche.
3. Appuyer sur la touche "1" pour modifier le réglage.
4. Appuyer sur OFF (arrêt) pour enregistrer le réglage et afficher l'heure.

Mode démo

IMPORTANT : Ce mode est conçu pour le personnel de vente en rayon avec une alimentation de 120 V et permet de présenter le fonctionnement des caractéristiques du tableau de commande sans pour autant activer les éléments de chauffage ou les brûleurs. Si cette caractéristique est activée, le four ne fonctionnera pas.

1. Appuyer sur OPTIONS jusqu'à ce que "DEMO MODE" (mode de démonstration) s'affiche.
2. Le réglage utilisé à ce moment-là s'affiche.
3. Appuyer sur la touche "1" pour modifier le réglage.
4. Appuyer sur OFF (arrêt) pour enregistrer le réglage et afficher l'heure.

Arrêt au bout de 12 heures

La commande du four est réglée pour éteindre le four automatiquement 12 heures après que le four a activé une fonction de cuisson ou de nettoyage. Ceci ne perturbera aucune fonction de cuisson minutée ou différée.

1. Appuyer sur OPTIONS jusqu'à ce que "12 HR AUTO OFF" (arrêt auto au bout de 12 heures) s'affiche.
2. Le réglage utilisé à ce moment-là s'affiche.
3. Appuyer sur la touche "1" pour modifier le réglage.
4. Appuyer sur OFF (arrêt) pour enregistrer le réglage et afficher l'heure.

Langues - Menu d'affichage déroulant

Les options de langues sont l'anglais, l'espagnol et le français.

1. Appuyer sur OPTIONS jusqu'à ce que "LANGUAGE" (langue) s'affiche.
2. Le réglage utilisé à ce moment-là s'affiche.
3. Appuyer sur les touches numériques pour modifier le réglage.
4. Appuyer sur OFF (arrêt) pour enregistrer le réglage et afficher l'heure.

Mode d'économie d'énergie

Le mode Energy Save (économie d'énergie) désactive l'affichage pour réduire la consommation d'énergie.

1. Appuyer sur OPTIONS jusqu'à ce que "ENERGY SAVE" (économie d'énergie) s'affiche.
2. Le réglage utilisé à ce moment-là s'affiche.
3. Appuyer sur la touche "1" pour modifier le réglage.
4. Appuyer sur OFF (arrêt) pour enregistrer le réglage et afficher l'heure.

Commande de décalage de température du four

IMPORTANT : Ne pas utiliser de thermomètre pour mesurer la température du four. Les éléments chauffants s'allument et s'éteignent en alternance pour maintenir une température constante, mais leur température peut varier légèrement dans un sens ou dans l'autre du fait de cette alternance. De nombreux thermomètres réagissent lentement à un changement de température, et ne donneront pas une mesure exacte du fait de cette alternance.

Le four fournit des températures précises; toutefois, il peut cuire plus rapidement ou plus lentement que votre four précédent, c'est pourquoi la température peut être ajustée à vos besoins de cuisson. Elle peut être modifiée en degrés Fahrenheit ou Celsius.

Ajustement de la température du four :

1. Appuyer sur OPTIONS jusqu'à ce que "TEMP CALIB" (calibrage de la température) s'affiche.
2. Le réglage utilisé à ce moment-là s'affiche. Appuyer sur la touche "1" pour passer du four au tiroir-réchaud et inversement.
3. Appuyer sur START (mise en marche) pour sélectionner le choix affiché à l'étape 2. Attendre 10 secondes pour que l'affichage change, ou appuyer sur START (mise en marche), puis passer à l'étape 4.
4. Appuyer sur la touche "3" pour augmenter la température par tranches de 5°F (3°C), ou appuyer sur la touche "6" pour diminuer la température par tranches de 5°F (3°C). La plage de température doit se situer entre -30°F et +30°F (-18°C à +18°C).
5. Appuyer sur OFF (arrêt) pour enregistrer le réglage et afficher l'heure.

Maintien au chaud

AVERTISSEMENT

Risque d'empoisonnement alimentaire

Ne pas laisser des aliments dans un four plus d'une heure avant ou après la cuisson.

Le non-respect de cette instruction peut causer un empoisonnement alimentaire ou une maladie.

IMPORTANT : Les aliments doivent être à la température de service avant d'être placés dans le four chaud. Les aliments peuvent être gardés au four jusqu'à une heure; toutefois, les pains et les mets en sauce peuvent devenir trop secs s'ils sont laissés dans le four alors que la fonction Keep Warm (maintien au chaud) est activée. Pour de meilleurs résultats, couvrir les aliments.

La caractéristique Keep Warm (maintien au chaud) permet de garder les aliments cuits chauds à une température de service.

Utilisation :

1. Appuyer sur la touche KEEP WARM (maintien au chaud).
2. Utiliser les touches numériques pour régler la température souhaitée. Si la température entrée ne se trouve pas dans la fourchette des températures autorisées, la température minimale ou maximale autorisée s'affiche. Entrer une température dans la fourchette autorisée.

REMARQUE : La température peut être modifiée à tout moment en appuyant sur les touches numériques pour entrer la température souhaitée puis appuyer sur START (mise en marche).

3. Appuyer sur START (mise en marche).
4. Placer les aliments dans le four.
5. Appuyer sur OFF (arrêt) après avoir terminé.
6. Retirer les aliments du four.

Pour annuler la caractéristique Keep Warm (maintien au chaud) :

Appuyer sur OFF (arrêt). Retirer les aliments du four.

Mode Sabbat

Le mode Sabbat maintient le réglage de cuisson au four tant que le four n'est pas éteint.

Lorsque le mode Sabbat est réglé, seul le programme de cuisson au four fonctionne. Tous les autres programmes de cuisson et de nettoyage sont désactivés. Aucun signal sonore ne retentit et les affichages n'indiquent pas les changements de température.

Lorsque la porte du four est ouverte ou fermée, la lampe du four ne s'allume ou ne s'éteint pas et les éléments de chauffage ne s'allument ou ne s'éteignent pas immédiatement.

Activation du mode Sabbat (une seule fois) :

1. Appuyer sur OPTIONS jusqu'à afficher "SABBATH" (sabbat).
2. Appuyer sur la touche "1". Le mode Sabbat peut être utilisé pour la cuisson au four.
3. Appuyer sur START (mise en marche) ou OFF (arrêt) pour mémoriser le réglage et afficher l'heure.

REMARQUE : Pour désactiver le mode Sabbat, répéter les étapes 1 à 3 pour changer l'état de "SABBATH ON" (mode Sabbat actif) à "SABBATH OFF" (mode Sabbat inactif).

Activation du mode Sabbat :

1. Appuyer sur BAKE (cuisson au four).
2. Utiliser les touches numériques pour régler la température souhaitée. Si la température entrée ne se trouve pas dans la fourchette des températures autorisées, la température minimale ou maximale autorisée s'affiche. Entrer une température dans la fourchette autorisée.
3. Appuyer sur START (mise en marche).
Pour une cuisson minutée au mode Sabbat, appuyer sur COOK TIME (durée de cuisson), puis sur les touches numériques pour régler la durée de cuisson désirée. Appuyer sur START (mise en marche).
4. Appuyer sur OPTIONS. Trois signaux sonores retentissent. Appuyer ensuite sur "7". "SAb" apparaît sur l'affichage.

Réglage de la température (lorsque le mode Sabbat fonctionne) :

1. Appuyer sur BAKE (cuisson au four).
2. Appuyer sur les touches numériques comme indiqué par le texte déroulant afin de sélectionner la nouvelle température.
REMARQUE : Le changement de température n'apparaît pas sur l'affichage et aucun son n'est émis. Le texte déroulant s'affiche tel qu'il était avant que l'on n'appuie sur la touche.
3. Appuyer sur START (mise en marche).

Désactivation du mode Sabbat :

Appuyer sur OPTIONS, puis sur "7" pour revenir à la cuisson au four traditionnelle ou sur OFF (arrêt) pour éteindre la cuisinière.

Papier d'aluminium

IMPORTANT : Pour éviter des dommages permanents au fini du fond du four, ne pas recouvrir le fond du four avec du papier d'aluminium ou un revêtement quelconque.

Pour assurer une bonne circulation de l'air et des résultats de cuisson optimaux, ne pas recouvrir la grille entière de papier d'aluminium.

Positionnement des grilles et des ustensiles de cuisson au four

IMPORTANT : Afin d'éviter des dommages permanents au fini en porcelaine, ne pas placer d'aliments ou d'ustensiles de cuisson directement sur la porte ou sur le fond du four.

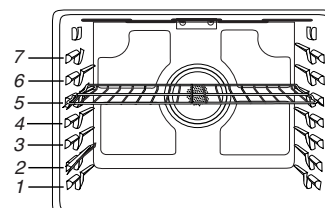
Ustensiles de cuisson au four

L'air chaud doit pouvoir circuler autour de l'aliment pour le cuire uniformément. Laisser 2" (5 cm) entre les ustensiles de cuisson et les parois du four. S'assurer qu'aucun ustensile de cuisson ne se trouve directement au-dessus d'un autre.

Grilles

- Placer les grilles avant d'allumer le four.
- Ne pas déplacer les grilles lorsque des ustensiles de cuisson au four se trouvent dessus.
- S'assurer que les grilles sont d'aplomb.

Pour déplacer une grille, la tirer jusqu'à la butée d'arrêt, soulever le rebord avant puis la retirer. Se servir de l'illustration et du tableau suivants comme guide.

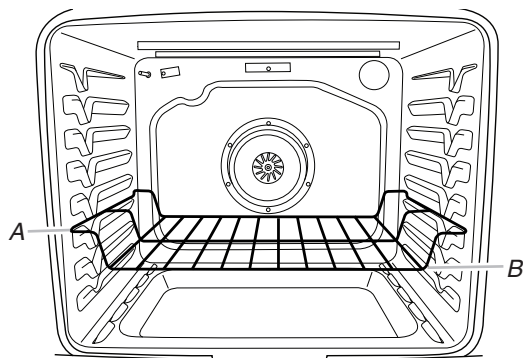


Le four a 7 positions pour une grille plate, comme indiqué dans l'illustration précédente et le tableau suivant.

Position de la grille plate	Type d'aliment
7	Cuire au grill/saisir les viandes, les hamburgers, les steaks
6	Viandes grillées, volaille grillée, poisson grillé
3 ou 4	La plupart des produits de boulangerie, mets en sauce
2	Viandes rôties
1	Gros rôtis ou volaille rôtie

Pour qu'une galette à hamburger soit bien saisie à l'extérieur tout en restant bien souple à l'intérieur, utiliser une grille plate en position 7. Cuire le 1^{er} côté pendant 2½ à 3½ minutes. La cuisson du deuxième côté devrait prendre entre 4 et 5 minutes. Une légère fumée peut se dégager durant la cuisson au grill.

IMPORTANT : Si votre modèle possède une grille de four à capacité maximale, les extrémités encastrées doivent être placées dans la position de grille au-dessus de la position souhaitée pour les aliments. Voir l'illustration ci-dessous.



A. Extrémités de la grille en position 3
B. Aliments en position 2

IMPORTANT : Ces positions de grille sont pour les grilles plates. Si une grille de four à capacité maximale est utilisée, la position de la grille doit être ajustée comme dans la figure précédente.

Cuisson sur plusieurs grilles

Cuisson sur 2 grilles (sans convection) : Utiliser les positions de grille 2 et 5 ou 3 et 6.

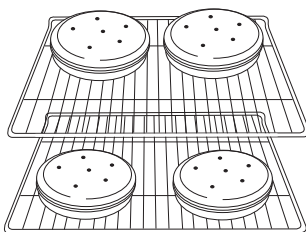
Cuisson sur 2 grilles (avec convection uniquement) : Utiliser les positions de grille 2 et 5 ou 3 et 6.

Cuisson sur 3 grilles (avec convection véritable uniquement) : Utiliser une grille plate aux positions 4 et 6 et une grille de four à capacité maximale en position 3.

Cuisson au four de biscuits et de gâteaux à étages sur 2 grilles

Cuisson au four de gâteaux à étages

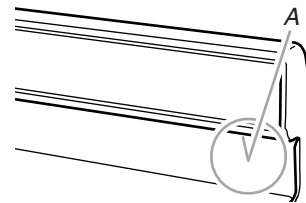
Pour une cuisson optimale de gâteaux sur 2 grilles, utiliser la fonction Bake (cuisson au four), une grille plate en position 2 et une grille plate en position 5. Placer les gâteaux sur les grilles comme illustré. Prévoir un espace d'au moins 3" (7,6 cm) entre le bord avant des grilles et les gâteaux placés à l'avant.



Cuisson au four de biscuits

Pour une cuisson optimale de biscuits sur 2 grilles, utiliser la fonction Convection Bake (cuisson au four par convection) avec une grille plate en position 2 et une grille plate en position 5.

Évent du four



A. Évent du four

L'évent du four permet l'évacuation de l'air chaud et de l'humidité du four et ne doit pas être obstrué ou couvert. L'obstruction nuirait à la circulation adéquate de l'air et affecterait les résultats de cuisson et de nettoyage. Ne pas placer près de l'évent du four des produits en plastique, en papier ou autres articles qui pourraient fondre ou brûler.

Cuisson au four et rôtissage

Préchauffage

Au début d'un programme de cuisson au four, de cuisson au four avec convection ou de rôtissage avec convection, le four commence par un préchauffage une fois la touche Start (mise en marche) enfoncée. Le four atteint 350°F (177°C) en 12 à 15 minutes environ lorsque toutes les grilles fournies avec le four sont à l'intérieur. Pour atteindre une température plus élevée, le préchauffage est plus long. Le programme de préchauffage augmente rapidement la température du four. La température réelle du four dépasse alors la température programmée, pour compenser la chaleur perdue à l'ouverture du four pour y introduire le plat à cuire. Ainsi, le four entame la cuisson à la température correcte après y avoir placé le plat. Placer les aliments au four lorsque le signal sonore de préchauffage retentit. Ne pas ouvrir la porte du four pendant le préchauffage tant que le signal sonore n'a pas retenti.

Température du four

En cours d'utilisation, les éléments chauffants du four s'allument et s'éteignent en alternance pour maintenir une température constante, mais leur température peut varier légèrement dans un sens ou dans l'autre du fait de cette alternance. L'ouverture de la porte du four en cours d'utilisation laisse échapper l'air chaud et refroidit le four, ce qui peut modifier la durée de cuisson nécessaire et le résultat de la cuisson. Pour suivre l'avancement de la cuisson, il est conseillé d'utiliser l'éclairage du four.

REMARQUE : Sur les modèles équipés d'une fonction de convection, le ventilateur de convection peut tourner dans le mode de cuisson sans convection pour améliorer la performance du four.

Système de gestion de la température

Le système de gestion de la température contrôle électroniquement les niveaux de chaleur du four durant le préchauffage et la cuisson afin de maintenir une gamme précise de températures pour des résultats de cuisson optimaux. Les éléments de cuisson au four et au grill ou brûleurs s'allument et s'éteignent par intermittence. Pour les cuisinières à convection, le ventilateur fonctionne pendant le préchauffage et peut s'allumer et s'éteindre par intermittence pendant de courts intervalles dans le mode Bake (cuisson au four) afin de produire un meilleur résultat. Cette caractéristique s'active automatiquement lorsque le four est utilisé.

Avant la cuisson au four et le rôtissage, placer les grilles comme indiqué à la section "Positionnement des grilles et des ustensiles de cuisson au four". Lors du rôtissage, il n'est pas nécessaire d'attendre la fin du préchauffage du four avant d'y placer la nourriture, sauf si la recette le recommande.

Cuisson au gril

Le préchauffage n'est pas requis à moins que la recette ne recommande autre chose. Placer le plat sur la grille de la lèchefrite, puis placer celle-ci au centre de la grille du four.

IMPORTANT : Fermer la porte pour une température de cuisson au gril adéquate.

Le changement de température lors de la cuisson personnalisée au gril permet un contrôle plus précis de la cuisson. Plus le réglage du gril est bas, plus la cuisson est lente. Les morceaux épais et de forme irrégulière de viande, de poisson et de volaille cuisent mieux à des réglages de gril plus bas. Utiliser les grilles 6 ou 7 pour la cuisson au gril. Si l'on utilise la grille déployante, utiliser la position de grille 6. Consulter la section "Positionnement des grilles et ustensiles de cuisson au four" pour plus d'informations.

- Pour de meilleurs résultats, utiliser une lèchefrite et une grille. La lèchefrite est conçue pour laisser s'écouler les jus et aider à éviter les éclaboussures et la fumée.

Il est possible de commander une lèchefrite. Consulter la section "Accessoires" pour plus d'informations.

REMARQUE : Les odeurs et la fumée sont normales lors des premières utilisations du four ou si ce dernier est très sale.

Cuisson par convection

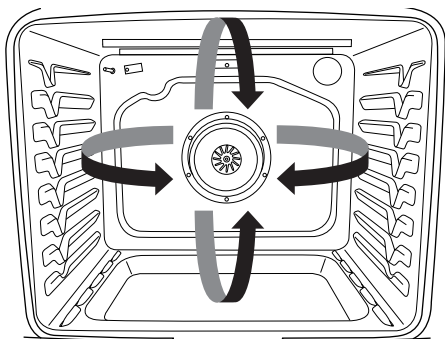
Dans un four à convection, l'air chaud que fait circuler le ventilateur distribue la chaleur de façon continue et plus uniformément que le mouvement naturel de l'air dans un four thermique standard. Ce déplacement de l'air chaud aide à maintenir une température constante dans tout le four, ce qui permet de cuire les aliments plus uniformément, de faire croustiller la surface des aliments tout en conservant leur humidité naturelle et de donner des pains plus croustillants.

Durant la cuisson par convection, les brûleurs de cuisson au four et de cuisson au gril, l'élément de convection (convection véritable uniquement) et le ventilateur s'allument et s'éteignent par intermittence pour maintenir la température du four tandis que le ventilateur fait circuler l'air chaud.

REMARQUE : Le ventilateur de convection s'allume environ 5 minutes pendant un programme de convection.

Si la porte du four est ouverte durant la cuisson par convection, le ventilateur s'éteint immédiatement. Il s'allume à nouveau lorsque la porte du four est fermée.

REMARQUE : La porte du four doit être fermée pour la cuisson au gril par convection.

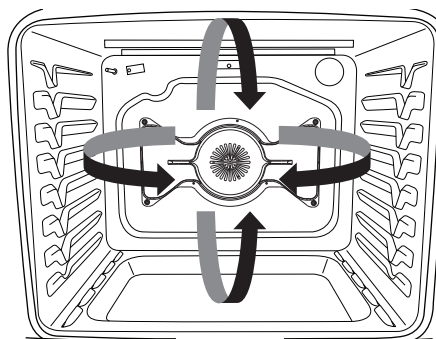


Avant de lancer une cuisson par convection, positionner les grilles tel qu'indiqué à la section "Positionnement des grilles et des ustensiles de cuisson au four".

La cuisson par convection permet de cuire la majorité des aliments à une température plus basse ou moins longtemps. Ces réglages peuvent être effectués à l'aide du tableau suivant ou en utilisant la caractéristique de conversion EasyConvect™ de la cuisinière.

Réglage	Instructions
CONVECT BAKE (cuisson au four par convection)	Réduire la température de cuisson au four standard de 25°F (15°C).
CONVECT ROAST (rôtissage par convection)	Utiliser une température de recette standard. La durée de cuisson peut être réduite de 15 à 30 % avec la fonction de rôtissage par convection; il faut donc contrôler le degré de cuisson des aliments tôt au cours de la cuisson.
CONVECT BROIL (cuisson au gril par convection)	Utiliser une température de recette standard. La durée de cuisson peut être réduite; il faut donc contrôler le degré de cuisson des aliments tôt au cours de la cuisson.

Convection véritable cordon bleu avec élément T.H.E.™



La convection véritable active un élément électrique autour du ventilateur de convection pour améliorer la performance de cuisson. Cette caractéristique permet de cuire les aliments au four sur trois grilles. Utiliser le tableau des options de convection suivant comme guide.

Options de cuisson par convection

Réglage	Aliments
CONVECT BAKE (cuisson au four par convection)	Cuisson au four sur une ou plusieurs grilles pour les biscuits, pains, mets en sauce, ou tartes.
CONVECT ROAST (rôtissage par convection)	Poulets ou dindes entiers, légumes, rôtis de porc, ou rôtis de bœuf.
CONVECT BROIL (cuisson au gril par convection)	Des morceaux plus épais ou inégaux de viande, de poisson ou de volaille.

Conversion EasyConvect™

Les températures et durées de cuisson par convection peuvent différer de celles d'une cuisson standard. Selon la catégorie sélectionnée, la conversion EasyConvect™ réduit automatiquement la température et/ou durée de cuisson des recettes standard pour la cuisson par convection.

Les aliments sont regroupés en 4 grandes catégories. Choisir la catégorie qui correspond le mieux à l'aliment qui doit être cuit. Utiliser le tableau suivant comme guide.

Réglage	Aliments
MEATS (viandes)	Poulet : entier et en morceaux Pain de viande, rôtis : porc, bœuf et jambon (Les dindes et les grosses volailles ne sont pas mentionnées car leur durée de cuisson est variable.)
BAKED GOODS (produits de boulangerie)	Biscuits, pains : à cuisson rapide, à levure Gâteaux et biscuits Mets en sauce
PIZZA	Pizza fraîche, pizza surgelée
OTHER (autres)	Plats cuisinés surgelés : frites, pépites, bâtonnets de poisson, lasagnes

Utilisation :

REMARQUE : Pour de meilleurs résultats, préchauffer le four à la température requise avant d'utiliser la conversion EasyConvect™. Une fois le préchauffage terminé, appuyer sur la touche OFF (arrêt) avant d'utiliser la conversion EasyConvect™.

- Appuyer sur EASY CONVECT (convection facile) jusqu'à ce que l'option souhaitée apparaisse (MEATS [viandes], BAKED GOODS [produits de boulangerie], PIZZA ou OTHER [autre]).
- Appuyer sur START (mise en marche).
- Appuyer sur les touches numériques pour entrer la température de cuisson standard puis appuyer sur START (mise en marche).
- Appuyer sur les touches numériques pour entrer la durée de cuisson standard puis appuyer sur START (mise en marche).
- Placer les aliments dans le four.
Contrôler le degré de cuisson des aliments avant que l'heure de fin de cuisson ne soit atteinte. Si les aliments ne sont pas cuits une fois la durée de cuisson écoulée, prolonger la cuisson avant que la cuisson ne soit terminée (voir la section "Durée de cuisson"). Une fois la durée écoulée, le four s'éteint automatiquement.
- Appuyer sur OFF (arrêt) après avoir terminé.
- Retirer les aliments du four.

Levée du pain

La levée du pain prépare la pâte pour la cuisson en activant la levure. Suivre les instructions de la recette comme guide. La levée standard doit être utilisée pour les pâtes fraîches, les pâtes surgelées et pour la première et la deuxième levée. Rapid Proof (levée rapide) (sur certains modèles) fonctionne à une température légèrement supérieure à Standard Proof (levée standard) pour effectuer une deuxième levée d'une pâte pré-moulée.

Pour faire lever la pâte :

Avant la première levée de pain, placer la pâte dans un saladier légèrement graissé et couvrir sans serrer avec du papier ciré recouvert de shortening. Placer la grille en position 2 et fermer la porte du four.

- Appuyer sur BREAD PROOF (levée du pain) jusqu'à ce que le type de levée souhaité s'affiche ("Standard" ou "Rapid").
- Appuyer sur START (mise en marche).
Laisser la pâte lever jusqu'à ce qu'elle ait presque doublé de volume. La durée de levée du pain peut varier en fonction du type de pâte et de la quantité.
- Appuyer sur OFF (arrêt) après avoir terminé la levée.

Avant la seconde levée, mettre la pâte en forme, la placer sur la ou les plaques de cuisson et couvrir partiellement. Reprendre le même positionnement et vérifier que les étapes ci-dessus ont bien été suivies. Avant la cuisson au four, retirer la pellicule protectrice.

REMARQUE : Si la température du four est supérieure à 120°F (49°C), l'affichage indique "Refroid four" jusqu'à ce que la température soit inférieure à 120°F (49°C).

Durée de cuisson

AVERTISSEMENT

Risque d'empoisonnement alimentaire

Ne pas laisser des aliments reposer plus d'une heure avant ou après la cuisson.

Le non-respect de cette instruction peut causer un empoisonnement alimentaire ou une maladie.

Réglage d'une cuisson minutée :

- Appuyer sur BAKE (cuisson au four), CONVECT BAKE (cuisson au four par convection), CONVECT ROAST (rôtissage par convection), ou CONVECT BROIL (cuisson au gril par convection).
- Utiliser les touches numériques pour régler la température souhaitée. Si la température entrée ne se trouve pas dans la fourchette des températures autorisées, la température minimale ou maximale autorisée s'affiche. Entrer une température dans la fourchette autorisée.
- Appuyer sur COOK TIME (durée de cuisson).
- Appuyer sur les touches numériques pour entrer la durée de cuisson.
- Appuyer sur START (mise en marche). L'affichage présente le compte à rebours de la durée. Lorsque la durée est écoulée, le four s'éteint automatiquement.
La température et/ou la durée peut/peuvent être ajustée(s) en tout temps en répétant les étapes 2 à 5.
- Appuyer sur OFF (arrêt) pour effacer l'affichage.

REMARQUE : Le réglage de durée de cuisson pour une fonction de cuisson minutée, y compris la fonction de conversion EasyConvect™, peut être ajusté en suivant les étapes précédentes de 3 à 5.

Réglage d'une cuisson minutée différée :

- Appuyer sur DELAY START (mise en marche différée).
- Appuyer sur les touches numériques pour entrer le nombre d'heures et/ou de minutes dont on souhaite différer l'heure de mise en marche.
- Appuyer sur BAKE (cuisson au four), CONVECT BAKE (cuisson au four par convection), CONVECT ROAST (rôtissage par convection), ou CONVECT BROIL (cuisson au gril par convection).
- Utiliser les touches numériques pour régler la température souhaitée. Si la température entrée ne se trouve pas dans la fourchette des températures autorisées, la température minimale ou maximale autorisée s'affiche. Entrer une température dans la fourchette autorisée.
- Appuyer sur START (mise en marche) ou COOK TIME (durée de cuisson).
- Appuyer sur les touches numériques pour entrer la durée de cuisson.
- Appuyer sur START (mise en marche).

Lorsque l'heure de mise en marche est atteinte, le four s'allume automatiquement. Les réglages de température et/ou de durée peuvent être modifiés en tout temps après le compte à rebours en répétant les étapes 1 à 7. Lorsqu'on réinitialise la durée et la température, on doit appuyer sur Start (mise en marche) à mi-chemin entre les étapes 4 et 5 pour pouvoir continuer à effectuer des changements.

Lorsque la durée de cuisson réglée s'achève, le four s'éteint automatiquement.

- Appuyer sur OFF (arrêt) pour effacer l'affichage.

ENTRETIEN DE LA CUISINIÈRE

Programme de nettoyage

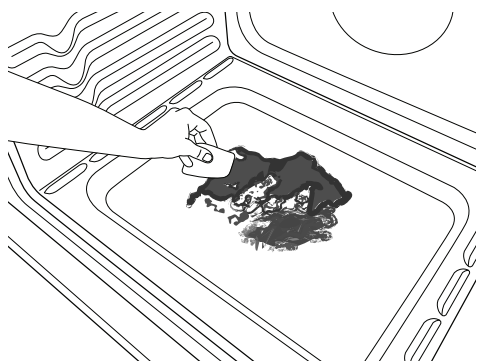


La technologie AquaLift® est une solution de nettoyage novatrice qui utilise la chaleur et l'eau pour débarrasser le four des produits renversés cuits en moins d'une heure. Cette nouvelle technologie de nettoyage est une alternative à basse température et sans odeurs aux options traditionnelles de nettoyage automatique.

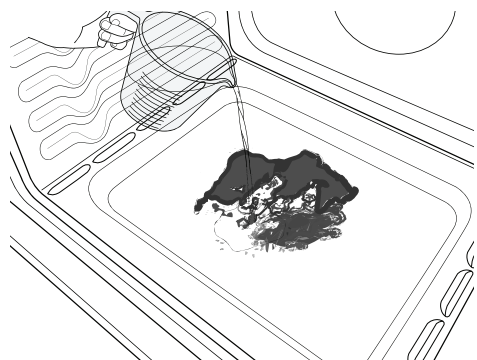
Laisser le four refroidir et atteindre la température ambiante avant d'utiliser le programme de nettoyage. Si la température de la cavité du four est supérieure à 200°F (93°C), "Oven Cooling" (refroidissement du four) apparaît sur l'afficheur et le programme de nettoyage ne s'activera pas avant que la cavité ait refroidi.

Nettoyage :

1. Retirer toutes les grilles et tous les accessoires de la cavité du four et essuyer l'excès de saleté. Utiliser un grattoir en plastique pour enlever les saletés faciles à enlever.



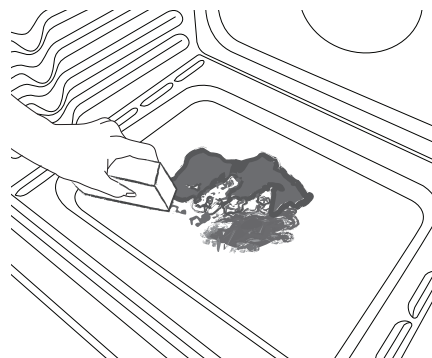
2. Verser 1¾ tasse (14 oz [414 mL]) d'eau distillée ou filtrée dans le fond du four vide et fermer la porte du four.



IMPORTANT : Ne pas utiliser des produits chimiques ou d'autres additifs avec l'eau. Ne pas ouvrir la porte du four au cours du programme de nettoyage. L'eau au fond du four est chaude.

3. Appuyer sur AQUALIFT SELF CLEAN (autonettoyage AquaLift) et ensuite sur START (mise en marche) sur le tableau de commande du four.
4. Accorder 40 minutes pour le nettoyage et le refroidissement. Un signal sonore vous avertit lorsque le programme de nettoyage est terminé.

5. Appuyer sur OFF (annulation) à la fin du programme. On peut appuyer sur Off à tout moment pour arrêter le programme de nettoyage.
6. Enlever l'eau résiduelle et les saletés délogées avec une éponge ou un chiffon immédiatement après la fin du programme de nettoyage. La plupart de l'eau initiale contenue dans 1¾ tasse (14 oz [414 mL]) restera dans le four après la fin du programme de nettoyage. S'il reste encore des saletés, laisser une petite quantité d'eau au fond du four pour aider le nettoyage.



7. S'il reste des saletés, les enlever avec une éponge à gratter douce ou un grattoir en plastique. Des programmes de nettoyage supplémentaires peuvent être lancés pour aider à se débarrasser des saletés tenaces.

IMPORTANT : Ne pas utiliser de nettoyeurs à four. L'utilisation de produits chimiques, y compris les nettoyeurs à four qu'on trouve sur le marché, ou des tampons à récurer métalliques, pourrait causer des dommages permanents à la surface en porcelaine qui se trouve à l'intérieur du four.

REMARQUES :

- La cuisinière doit être d'aplomb de façon à s'assurer que la surface du fond de la cavité du four est couverte par l'eau au début du programme de nettoyage.
- Pour des résultats optimaux, utiliser de l'eau distillée ou filtrée. L'eau du robinet pourrait laisser des dépôts minéraux sur le fond du four.
- Avant d'enlever l'eau résiduelle et les saletés délogées à la fin du programme de nettoyage, insérer un chiffon ou un essuie-tout entre l'extrémité inférieure de la porte du four et l'avant du châssis, afin d'empêcher l'eau de se déverser sur le devant de la cuisinière et le plancher.
- Les saletés cuites à travers plusieurs programmes de cuisson seront plus difficiles à enlever avec le programme de nettoyage.
- Les éponges à gratter non abrasives ou les tampons nettoyeurs en gomme (sans nettoyeurs) peuvent être efficaces pour le nettoyage des parois de la cavité du four, de la porte du four et du fond du four pour les saletés difficiles. Pour de meilleurs résultats, mouiller les tampons et les éponges avant de les utiliser.
- Exécuter un programme de nettoyage supplémentaire pour les saletés tenaces.
- Le nettoyant pour cuisine et appareils ménagers affresh® et le nettoyant pour table de cuisson affresh® peuvent être utilisés pour nettoyer le fond du four, ses parois et sa porte lorsque le four a terminé le programme de nettoyage et que sa température est redevenue ambiante. Si l'on utilise le nettoyant pour table de cuisson affresh®, il est recommandé d'essuyer aussi la cavité avec de l'eau distillée. Consulter la section "Accessoires" pour obtenir des renseignements sur la commande.

- Des ensembles de nettoyage de technologie AquaLift® supplémentaires peuvent être obtenus en commandant la pièce numéro W10423113RP. Voir la section “Accessoires” pour plus d’informations.
- Pour obtenir de l’aide concernant la technologie AquaLift®, appeler le 1-877-258-0808 ou visiter notre site Web <http://whirlpoolcorp.com/aqualift>.

Nettoyage général

IMPORTANT : Avant le nettoyage, s’assurer que toutes les commandes sont éteintes et que le four et la table de cuisson sont froids. Toujours suivre les instructions figurant sur les étiquettes des produits de nettoyage. Pour plus de renseignements, vous pouvez consulter la section Service à la clientèle à www.kitchenaid.ca.

Du savon, de l’eau et un chiffon doux ou une éponge sont recommandés à moins d’indication contraire.

SURFACES EN ÉMAIL VITRIFIÉ UNIQUEMENT (sur certains modèles)

Les renversements d’aliments contenant des produits acides, tels que vinaigre et tomates, doivent être nettoyés dès que la cuisinière a refroidi. Ces renversements peuvent affecter le fini.

Méthode de nettoyage :

- Nettoyant à vitre, nettoyant doux liquide ou tampon à récurer non abrasif :
Nettoyer doucement autour de la plaque signalétique car le frottement pourrait en effacer les chiffres.
- Nettoyant pour cuisine et appareils ménagers affresh® - Pièce numéro W10355010 (non fourni) :
Voir la section “Accessoires” pour plus de renseignements.

ACIER INOXYDABLE (sur certains modèles)

REMARQUE : Afin d’éviter d’endommager les surfaces en acier inoxydable, ne pas utiliser de tampons à récurer savonneux, de nettoyants abrasifs, de crème à polir pour table de cuisson, de tampons en laine d’acier, de chiffons de lavage rêches ou d’essuietout abrasifs. Les surfaces en acier inoxydable pourraient subir des dommages, même en cas d’utilisation limitée ou non renouvelée.

Méthode de nettoyage :

Frotter dans la direction du grain pour éviter les dommages.

- Nettoyant pour acier inoxydable affresh® – pièce n° W10355016 (non fourni) :
Voir la section “Accessoires” pour plus de renseignements.

PEINTURE MÉTALLIQUE (sur certains modèles)

Ne pas utiliser de nettoyants abrasifs, de nettoyants avec agent de blanchiment, de produits antirouille, d’ammoniaque ou d’hydroxyde de sodium (soude), car la surface peinte pourrait se tacher.

GRILLES ET CHAPEAUX ÉMAILLÉS

Les renversements d’aliments contenant des produits acides, tels que vinaigre et tomates, doivent être nettoyés dès que la table de cuisson, les grilles et les chapeaux ont refroidi. Ces renversements peuvent affecter le fini.

Pour éviter l’écaillement, ne pas entrechoquer les grilles et les chapeaux ni les frapper contre des surfaces dures telles que les ustensiles en fonte.

Ne pas réinstaller les chapeaux sur les brûleurs lorsqu’ils sont mouillés.

Méthode de nettoyage :

- Ustensile de récurage en plastique non abrasif et nettoyant légèrement abrasif :
Nettoyer dès que la table de cuisson, les grilles et les chapeaux ont refroidi.
- Lave-vaisselle (les grilles seulement et non les chapeaux) :
Utiliser le programme le plus intensif. Les saletés cuites doivent être trempées ou frottées avant d’être placées au lave-vaisselle.
- Nettoyant pour grille et plateau d’égouttement – Pièce numéro 31617A :
Voir la section “Accessoires” pour plus de renseignements.

BRÛLEURS DE SURFACE

- Voir la section “Brûleurs de surface scellés”.

COMMANDES DE LA TABLE DE CUISSON

Afin d’éviter d’endommager les commandes de la table de cuisson, ne pas utiliser de laine d’acier, de nettoyants abrasifs ou de nettoyant pour four.

Afin d’éviter tout dommage, ne pas immerger les boutons de commande. Lors de la réinstallation des boutons, s’assurer que chaque bouton est à la position Off (arrêt).

Sur certains modèles, ne pas enlever les joints sous les boutons.

Méthode de nettoyage :

- Savon et eau :
Tirer les boutons directement hors du tableau de commande pour les enlever.

PLAQUE À FRIRE

Pour éviter d’endommager la surface antiadhésive, ne pas nettoyer la plaque au lave-vaisselle, ou utiliser un tampon de laine d’acier et des nettoyants abrasifs.

Méthode de nettoyage :

- Détergent doux.

TABLEAU DE COMMANDE ET EXTÉRIEUR DE LA PORTE DU FOUR

Afin d’éviter d’endommager le tableau de commande, ne pas utiliser de nettoyants abrasifs, de tampons en laine d’acier, de chiffons de lavage rêches ou d’essuietout abrasifs.

Méthode de nettoyage :

- Nettoyant à vitre et chiffon doux ou éponge :
Appliquer le nettoyant à vitre sur un chiffon doux ou une éponge, et non pas directement sur le tableau.
- Nettoyant pour cuisine et appareils ménagers affresh® pièce numéro W10355010 (non fourni) :
Voir la section “Accessoires” pour plus de renseignements.

GRILLES DU FOUR

Méthode de nettoyage :

- Tampon en laine d’acier.
- Pour les grilles ternies qui glissent difficilement, appliquer une légère couche d’huile végétale sur les glissières; cela facilitera leur glissement.
- Lave-vaisselle (réservoir à eau de la grille d’étuvage uniquement, pas les grilles) :
Bien que le réservoir à eau soit résistant, il peut perdre de son lustre et/ou décolorer s’il est lavé au lave-vaisselle.

TIROIR DE REMISAGE OU TIROIR-RÉCHAUD (sur certains modèles)

S’assurer que le tiroir est froid et vide avant le nettoyage.

Méthode de nettoyage :

- Détergent doux.

CAVITÉ DU FOUR

Utiliser régulièrement la technologie AquaLift™ pour nettoyer les renversements dans le four.

Ne pas utiliser de nettoyants à four.

Les renversements alimentaires doivent être nettoyés lorsque le four a refroidi. À des températures élevées, les aliments réagissent avec la porcelaine et cette réaction peut entraîner la formation de taches, d'un film de silice, de piqûres ou de légères taches blanches.

Méthode de nettoyage :

- Programme de nettoyage :
Voir la section "Programme de nettoyage".

Lampe du four

La lampe du four est une ampoule standard de 40 watts pour appareil électroménager. Avant le remplacement, s'assurer que le four et la table de cuisson sont froids et que les boutons de commande sont à la position d'arrêt.

Remplacement :

1. Débrancher la cuisinière ou déconnecter la source de courant électrique.
2. Tourner le protège-ampoule en verre à l'arrière du four dans le sens antihoraire et l'enlever.
3. Tourner l'ampoule dans le sens antihoraire pour l'enlever de la douille.
4. Réinstaller l'ampoule en la tournant dans le sens horaire.
5. Réinstaller le protège-ampoule en le tournant dans le sens horaire.
6. Brancher la cuisinière ou reconnecter la source de courant électrique.

DÉPANNAGE

Essayer d'abord les solutions suggérées ici. Pour obtenir de l'aide ou des conseils qui permettront peut-être d'éviter une intervention de dépannage, consulter la page de garantie de ce manuel et scanner le code QR avec votre appareil intelligent, ou consulter le site internet <http://www.kitchenaid.ca>.

Vous pouvez adresser tous commentaires ou questions par courrier à l'adresse ci-dessous :

Au Canada :

KitchenAid Brand Home Appliances
Customer eXperience Centre
200 - 6750 Century Ave.
Mississauga ON L5N 0B7

Dans votre correspondance, veuillez indiquer un numéro de téléphone où l'on peut vous joindre dans la journée.

⚠ AVERTISSEMENT



Risque de choc électrique

Brancher sur une prise à 3 alvéoles reliée à la terre.

Ne pas enlever la broche de liaison à la terre.

Ne pas utiliser un adaptateur.

Ne pas utiliser un câble de rallonge.

Le non-respect de ces instructions peut causer un décès, un incendie ou un choc électrique.

PROBLÈME	CAUSES ET/OU SOLUTIONS POSSIBLES
Rien ne fonctionne	<p>Cordon d'alimentation électrique débranché : Le brancher à une prise à 3 alvéoles reliée à la terre.</p> <p>Le mode Energy Save (économie d'énergie) est actif et l'affichage est vide : Appuyer sur une touche quelconque du tableau de commande pour afficher l'heure. Voir la section "Commandes électroniques du four" pour plus d'informations.</p> <p>Un fusible du domicile est grillé ou un disjoncteur s'est ouvert : Remplacer le fusible ou réarmer le disjoncteur. Si le problème persiste, appeler un électricien.</p> <p>Le robinet principal d'arrêt ou de réglage du gaz est à la position fermée : Voir les Instructions d'installation.</p> <p>La cuisinière n'est pas adéquatement branchée à l'alimentation en gaz : Contacter un technicien de réparation qualifié ou voir les Instructions d'installation.</p>

PROBLÈME	CAUSES ET/OU SOLUTIONS POSSIBLES
Les brûleurs de surface ne fonctionnent pas	<p>Le bouton de commande n'est pas correctement engagé : Appuyer sur le bouton avant de le tourner à un réglage donné.</p> <p>Présence d'air dans les conduites de gaz : Si c'est la première fois que les brûleurs de surface sont utilisés, allumer n'importe quel bouton de brûleur de surface afin de libérer l'air présent dans les canalisations.</p> <p>Orifices de brûleurs obstrués : Voir la section "Brûleurs de surface scellés".</p>
Les flammes des brûleurs de surface ne sont pas uniformes, sont de teinte jaune et/ou sont bruyantes	<p>Orifices de brûleurs obstrués : Voir la section "Brûleurs de surface scellés".</p> <p>Chapeaux de brûleurs mal positionnés : Voir la section "Brûleurs de surface scellés".</p> <p>Conversion inappropriée de la cuisinière : Si l'on utilise du gaz propane, contacter un technicien de service ou consulter la section "Garantie" pour des renseignements de contact.</p>
Chaleur excessive autour des ustensiles de cuisson sur la table de cuisson	<p>Les ustensiles de cuisson ne correspondent pas à la flamme : Les ustensiles de cuisson doivent être centrés au-dessus du brûleur tout en étant posés à l'horizontale au fond sur la grille. La flamme doit être réglée de sorte qu'elle ne s'étende pas sur les côtés du plat.</p>
La cuisson ne produit pas les résultats prévus	<p>Ustensiles de cuisson inappropriés : Les ustensiles de cuisson idéals doivent avoir un fond plat, des parois droites, un couvercle qui ferme hermétiquement et le matériau doit être d'épaisseur moyenne à forte.</p> <p>Le bouton de commande est réglé sur une puissance de chauffe incorrecte : Voir la section "Utilisation de la table de cuisson".</p> <p>La cuisinière n'est pas d'aplomb : Régler l'aplomb de la cuisinière. Voir les Instructions d'installation.</p>
Le four ne fonctionne pas	<p>Présence d'air dans les conduites de gaz : Si c'est la première fois que les brûleurs de surface sont utilisés, allumer n'importe quel bouton de brûleur de surface afin de libérer l'air présent dans les canalisations.</p> <p>Les commandes sont verrouillées : Appuyer sur la touche START (mise en marche) pendant 3 secondes pour les déverrouiller.</p> <p>La cuisinière est en mode démonstration : Voir la section "Commandes électroniques du four". Le mode de démonstration est utilisé sur les modèles présentés dans les salles d'exposition.</p> <p>Réglage incorrect des commandes électroniques du four : Voir la section "Commandes électroniques du four".</p>
Les flammes du brûleur du four sont jaunes ou bruyantes	<p>Conversion inappropriée de la cuisinière : Si l'on utilise du gaz propane, contacter un technicien de service ou consulter la section "Garantie" pour des renseignements de contact.</p>
La température du four est trop élevée ou trop basse	<p>La température du four doit être ajustée : Voir "Commande de température du four" dans la section "Commandes électroniques du four".</p>
Le ventilateur de convection ne fonctionne pas	<p>Le programme de convection se déroule pendant les 5 premières minutes de fonctionnement. Ceci est normal. Le ventilateur de convection commencera à fonctionner pendant environ 5 minutes dans le programme.</p> <p>La porte du four est ouverte : Si la porte du four est ouverte durant la cuisson par convection, le ventilateur s'éteint immédiatement. Il s'allume à nouveau lorsque la porte du four est fermée.</p>
Des messages s'affichent	<p>Panne de courant (l'afficheur indique une heure clignotante) : Effacer l'affichage. Sur certains modèles, régler de nouveau l'horloge au besoin. Voir la caractéristique de touche "Clock (horloge)" à la section "Guide des caractéristiques".</p> <p>Code d'erreur (l'afficheur indique une lettre suivie d'un numéro) : Selon le modèle, appuyer sur OFF (arrêt) pour effacer l'affichage. Voir "Affichage des commandes" dans la section "Commandes électroniques du four". S'il réapparaît, appeler le service de dépannage. Voir la section "Garantie" pour des renseignements de contact.</p> <p>Il faut appuyer sur la touche Start (mise en marche) pour démarrer un programme (l'afficheur indique "PUSH" ou "PSH" [appuyer]) : Voir la fonction de la touche "Start (mise en marche)" dans la section "Guide des caractéristiques".</p> <p>La cuisinière est en mode Sabbath (l'afficheur indique "SAb") : Appuyer sur OFF (arrêt) pour quitter le mode Sabbath.</p>
Le programme de nettoyage n'a pas éliminé toutes les salissures	<p>Plusieurs programmes de cuisson entre les programmes de nettoyage, ou éclaboussures sur les parois et la porte du four : Lancer des programmes de nettoyage supplémentaires. Utiliser le nécessaire de nettoyage à technologie AquaLift®. Pour les salissures tenaces, utiliser le nettoyant pour cuisine et appareils ménagers affresh® ou le nettoyant pour table de cuisson affresh®. Voir la section "Accessoires" et "Programme de nettoyage" pour plus de renseignements.</p>

PROBLÈME	CAUSES ET/OU SOLUTIONS POSSIBLES
Des dépôts minéraux se forment au fond du four après le programme de nettoyage	<p>Le programme de nettoyage a été effectué avec de l'eau du robinet : Utiliser de l'eau distillée ou filtrée pour le programme de nettoyage.</p> <p>Utiliser un chiffon imbibé de vinaigre pour enlever les dépôts. Utiliser ensuite un chiffon humide pour enlever complètement tout résidu de vinaigre.</p> <p>La cuisinière n'est pas d'aplomb : Les dépôts minéraux s'accumulent sur les surfaces sèches du fond du four durant le programme de nettoyage. Régler l'aplomb de la cuisinière. Voir les Instructions d'installation.</p> <p>Utiliser un chiffon imbibé de vinaigre pour enlever les dépôts. Utiliser ensuite un chiffon humide pour enlever complètement tout résidu de vinaigre.</p>
La cuisson au four ne produit pas les résultats prévus	<p>La cuisinière n'est pas d'aplomb : Régler l'aplomb de la cuisinière. Voir les instructions d'installation.</p> <p>Le réglage de la température était incorrect : Revérifier la recette dans un livre de cuisine fiable.</p> <p>La température du four doit être ajustée : Voir "Commande de décalage de température du four" dans la section "Commandes électroniques du four".</p> <p>Le four n'a pas été préchauffé : Voir la section "Cuisson au four et rôtissage".</p> <p>Les grilles n'étaient pas placées correctement : Voir la section "Positionnement des grilles et ustensiles de cuisson au four".</p> <p>Circulation d'air déficiente autour des ustensiles de cuisson : Voir la section "Positionnement des grilles et ustensiles de cuisson au four".</p> <p>Répartition irrégulière de la pâte dans le plat : Vérifier que la pâte est répartie uniformément dans le plat.</p> <p>Brunissement excessif des aliments causé par un plat à four terne ou foncé : Diminuer la température du four de 25°F (15°C) ou placer la grille plus haut dans le four.</p> <p>Brunissement insuffisant des aliments causé par un plat à four brillant ou clair : Placer la grille plus bas dans le four.</p> <p>Durée de cuisson incorrecte : Revoir la durée de cuisson.</p> <p>Porte du four non fermée : Vérifier que le plat à four n'empêche pas la fermeture de la porte.</p> <p>La porte du four a été ouverte durant la cuisson : L'ouverture de la porte pour vérifier la cuisson laisse échapper la chaleur du four et peut allonger la durée de cuisson.</p> <p>La grille est trop proche du brûleur de cuisson au four, ce qui brunet trop le fond des aliments cuits au four : Placer la grille plus haut dans le four.</p> <p>Les croûtes des tartes brunissent trop vite : Recouvrir de papier d'aluminium le périmètre de la croûte et/ou réduire la température de cuisson du four.</p>

Bruits

PROBLÈME	CAUSES ET/OU SOLUTIONS POSSIBLES
Le brûleur de surface émet des bruits d'éclatement	Brûleur mouillé : Laisser au brûleur le temps de sécher.
Bruits émis par la cuisinière à gaz lors des opérations de cuisson au four et de cuisson au gril Voici quelques bruits normaux avec des explications.	Ces bruits sont des bruits de fonctionnement normaux qui peuvent survenir chaque fois que les brûleurs de cuisson au four ou de cuisson au gril s'allument au cours du programme.
Éclatement	Le robinet de gaz s'ouvre ou se met en marche; un seul bruit d'éclatement retentit lorsqu'il se libère du solénoïde. Le bruit est similaire au bruit de succion qu'émettrait une ventouse que l'on retire d'une surface de verre : Ceci est normal.
Déclic	<p>Les allumeurs émettent plusieurs déclics jusqu'à ce que la flamme soit détectée. Il s'agit de bruits de claquements courts, similaires au bruit d'un ongle tapotant sur une surface de verre : Ceci est normal.</p> <p>Le relais du ventilateur de convection fonctionne par intermittence (sur certains modèles) : Ceci est normal.</p>
Crissement ou pouf	Le brûleur de cuisson au four ou au gril est en train de s'allumer : Ceci est normal.
Les flammes du brûleur du four sont jaunes ou bruyantes	Conversion inappropriée de la cuisinière : Si l'on utilise du gaz propane, contacter un technicien de service ou consulter la section "Garantie" pour des renseignements de contact.

ACCESSOIRES

Pour les accessoires, consulter notre site Web www.kitchenaid.ca ou nous contacter au **1-800-807-6777**.

Nettoyant pour acier inoxydable affresh®

(modèles en acier inoxydable)
Commander la pièce numéro W10355016

Lingettes nettoyantes pour acier inoxydable affresh®

(modèles en acier inoxydable)
Commander la pièce numéro W10355049

Nettoyant pour cuisine et appareils ménagers affresh®

Commander la pièce numéro W10355010

Nettoyant pour table de cuisson affresh®

Commander la pièce numéro W10355051

Ensemble de nettoyage pour four à technologie AquaLift®

Commander la pièce numéro W10423113RP

Nettoyant et poli pour granite

Commander la pièce numéro W10275756

Nettoyant pour grille à gaz et plateau d'égouttement

Commander la pièce numéro 31617A

Grille de la table de cuisson

Commander la pièce numéro W10676612 (modèles noirs et blancs)
Commander la pièce numéro W10676606 (modèles en acier inoxydable)

Grilles individuelles

Commander la pièce numéro W10623504 (modèles noirs et blancs)
Commander la pièce numéro W10623508 (grille côté droit, modèles en acier inoxydable)
Commander la pièce numéro W10623506 (grille côté gauche, modèles en acier inoxydable)

Grille de four en deux pièces

Commander la pièce numéro W10205524

Grille de four à capacité maximale

Commander la pièce numéro W10289145

Lèchefrite et grille en porcelaine

Commander la pièce numéro 4396923

Lèchefrite et grille de rôtissage de qualité supérieure

Commander la pièce numéro W10123240

Grille déployante

Commander la pièce numéro W10570870

GARANTIE LIMITÉE DE LA CUISINIÈRE À GAZ KITCHENAID®

ATTACHEZ ICI VOTRE REÇU DE VENTE. UNE PREUVE D'ACHAT EST OBLIGATOIRE POUR OBTENIR L'APPLICATION DE LA GARANTIE.

Lorsque vous appelez le centre d'eXpérience de la clientèle, veuillez garder à disposition les renseignements suivants :

- Nom, adresse et numéro de téléphone
- Numéros de modèle et de série
- Une description claire et détaillée du problème rencontré
- Une preuve d'achat incluant le nom et l'adresse du marchand ou du détaillant

SI VOUS AVEZ BESOIN DE SERVICE :

1. Avant de nous contacter pour obtenir un dépannage, veuillez déterminer si des réparations sont nécessaires pour votre produit. Certains problèmes peuvent être résolus sans intervention de dépannage. Prenez quelques minutes pour parcourir la section Dépannage ou Résolution de problèmes du guide d'utilisation et d'entretien, scannez le code QR ci-contre avec votre téléphone intelligent pour accéder à des ressources supplémentaires, ou rendez-vous sur le site <http://www.kitchenaid.ca>.

2. Tout service sous garantie doit être effectué exclusivement par nos fournisseurs de dépannage autorisés KitchenAid. Aux É.-U. et au Canada, dirigez toutes vos demandes de service sous garantie au

Centre d'eXpérience de la clientèle KitchenAid

Aux É.-U., composer le 1-800-422-1230. Au Canada, composer le 1-800-807-6777.

Si vous résidez à l'extérieur du Canada et des 50 États des États-Unis, contactez votre marchand KitchenAid autorisé pour déterminer si une autre garantie s'applique.



<http://www.kitchenaid.ca>

GARANTIE LIMITÉE DE CINQ ANS

CE QUI EST COUVERT

GARANTIE LIMITÉE DURANT LA PREMIÈRE ANNÉE (PIÈCES ET MAIN-D'ŒUVRE)

Pendant un an à compter de la date d'achat, lorsque ce gros appareil ménager est installé, utilisé et entretenu conformément aux instructions jointes au produit ou fournies avec, la marque KitchenAid de Whirlpool Corporation ou Whirlpool Canada, LP (ci-après désignées "KitchenAid") paiera pour les pièces de rechange spécifiées par l'usine et pour la main-d'œuvre pour corriger les vices de matériaux ou de fabrication qui existaient déjà lorsque ce gros appareil ménager a été acheté. S'il est remplacé, l'appareil sera couvert pour la période restant à courir de la garantie limitée d'un an du produit d'origine.

GARANTIE LIMITÉE DE LA DEUXIÈME À LA CINQUIÈME ANNÉE (CERTAINS COMPOSANTS UNIQUEMENT - MAIN-D'ŒUVRE NON COMPRISE)

De la deuxième à la cinquième année inclusivement à compter de la date d'achat initiale, lorsque ce gros appareil ménager est installé, utilisé et entretenu conformément aux instructions jointes au produit ou fournies avec, KitchenAid paiera pour les pièces de rechange spécifiées par l'usine concernant les composants suivants pour corriger les défauts non esthétiques de matériau ou de fabrication desdites pièces qui empêchent le gros appareil de fonctionner et qui étaient déjà présentes lorsque ce gros appareil ménager a été acheté. La présente garantie est une garantie limitée de 5 ans sur les pièces énumérées ci-dessous et elle ne comprend pas la main-d'œuvre de réparation.

- Tout brûleur à gaz
- Pièces du système de commande à semi-conducteurs

LE SEUL ET EXCLUSIF RECOURS DU CLIENT DANS LE CADRE DE LA PRÉSENTE GARANTIE LIMITÉE CONSISTE EN LA RÉPARATION PRÉVUE PAR LA PRÉSENTE. Le service doit être fourni par une compagnie de service désignée par KitchenAid. Cette garantie limitée est valide uniquement aux États-Unis ou au Canada et s'applique exclusivement lorsque le gros appareil ménager est utilisé dans le pays où il a été acheté. La présente garantie limitée est valable à compter de la date d'achat initial par le consommateur. Une preuve de la date d'achat initial est exigée pour obtenir un dépannage dans le cadre de la présente garantie limitée.

CE QUI N'EST PAS COUVERT

1. Usage commercial, non résidentiel ou par plusieurs familles, ou non-respect des instructions de l'utilisateur, de l'opérateur ou des instructions d'installation.
2. Visite d'instruction à domicile pour montrer à l'utilisateur comment utiliser l'appareil.
3. Visites de service pour rectifier une installation ou un entretien fautifs du produit, une installation non conforme aux codes d'électricité ou de plomberie, ou la rectification de l'installation électrique ou de la plomberie du domicile (ex : câblage électrique, fusibles ou tuyaux d'arrivée d'eau du domicile).
4. Pièces consommables (ex : ampoules, batteries, filtres à air ou à eau, etc.).
5. Défauts ou dommage résultant de l'utilisation de pièces ou accessoires KitchenAid non authentiques.
6. Conversion de votre produit du gaz naturel ou du gaz de pétrole liquéfié.
7. Dommages causés par : accident, mésusage, abus, incendie, inondations, catastrophe naturelle ou l'utilisation de produits non approuvés par KitchenAid.
8. Réparations aux pièces ou systèmes dans le but de rectifier un dommage ou des défauts résultant d'une réparation, altération ou modification non autorisée faite à l'appareil.
9. Défauts d'apparence, notamment les éraflures, traces de choc, fissures ou tout autre dommage subi par le fini de l'appareil ménager, à moins que ces dommages ne résultent de vices de matériaux ou de fabrication et ne soient signalés à KitchenAid dans les 30 jours suivant la date d'achat.
10. Décoloration, rouille ou oxydation des surfaces résultant d'environnements caustiques ou corrosifs incluant des concentrations élevées de sel, un haut degré d'humidité ou une exposition à des produits chimiques (exemples non exhaustifs).
11. Perte d'aliments due à la défaillance du produit.
12. Enlèvement ou livraison. Ce produit est conçu pour être réparé à l'intérieur du domicile.
13. Frais de déplacement et de transport pour le dépannage/la réparation dans une région éloignée où une compagnie de service KitchenAid autorisée n'est pas disponible.
14. Retrait ou réinstallation d'appareils inaccessibles ou de dispositifs préinstallés (ex : garnitures, panneaux décoratifs, plancher, meubles, îlots de cuisine, plans de travail, panneaux de gypse, etc.) qui entravent le dépannage, le retrait ou le remplacement du produit.
15. Service et pièces pour des appareils dont les numéros de série et de modèle originaux ont été enlevés, modifiés ou ne peuvent pas être facilement identifiés.

Le coût d'une réparation ou d'un remplacement dans le cadre de ces circonstances exclues est à la charge du client.

CLAUSE D'EXONÉRATION DE RESPONSABILITÉ AU TITRE DES GARANTIES IMPLICITES

LES GARANTIES IMPLICITES, Y COMPRIS LES GARANTIES APPLICABLES DE QUALITÉ MARCHANDE OU D'APTITUDE À UN USAGE PARTICULIER, SONT LIMITÉES À UN AN OU À LA PLUS COURTE PÉRIODE AUTORISÉE PAR LA LOI. Certains États et provinces ne permettent pas de limitation sur la durée des garanties implicites de qualité marchande ou d'aptitude à un usage particulier, de sorte que la limitation ci-dessus peut ne pas être applicable dans votre cas. Cette garantie vous confère des droits juridiques spécifiques et vous pouvez également jouir d'autres droits qui peuvent varier d'une juridiction à l'autre.

EXONÉRATION DE RESPONSABILITÉ DANS LES DOMAINES NON COUVERTS PAR LA GARANTIE

KitchenAid décline toute responsabilité au titre de la qualité, de la durabilité ou en cas de dépannage ou de réparation nécessaire sur ce gros appareil ménager autre que les responsabilités énoncées dans la présente garantie. Si vous souhaitez une garantie plus étendue ou plus complète que la garantie limitée fournie avec ce gros appareil ménager, adressez-vous à KitchenAid ou à votre détaillant pour obtenir les modalités d'achat d'une garantie étendue.

LIMITATION DES RECOURS; EXCLUSION DES DOMMAGES FORTUITS OU INDIRECTS

LE SEUL ET EXCLUSIF RECOURS DU CLIENT DANS LE CADRE DE LA PRÉSENTE GARANTIE LIMITÉE CONSISTE EN LA RÉPARATION PRÉVUE PAR LA PRÉSENTE. KITCHENAID N'ASSUME AUCUNE RESPONSABILITÉ POUR LES DOMMAGES FORTUITS OU INDIRECTS. Certains États et certaines provinces ne permettent pas l'exclusion ou la limitation des dommages fortuits ou indirects de sorte que ces limitations et exclusions peuvent ne pas être applicables dans votre cas. Cette garantie vous confère des droits juridiques spécifiques et vous pouvez également jouir d'autres droits qui peuvent varier d'une juridiction à l'autre.

11/14

