

DA 2628

Insert ventilation hood
with energy-efficient LED lighting and backlit controls for easy use.



- Customized kitchen design – fully integrated in 46 1/2 (1180) in (mm) width
- Unique user convenience – Con@ctivity
- Energy-efficient and quiet
- Elegant and efficient – edge vented panel

EAN: 4002516024439 / Material number: 10876800 /
Old Material Number: 28262855USA

General information	
Model identifier	DA 2628
Manufacturer material number	10876800
EAN number	4002516024439
Marketing class	Platinum
Design	
Insert ventilation hood	•
Appliance type and design	
Appliance colour	Stainless steel
Operating modes	
Recirculated mode	Exhaust air
Design	
Edge extraction	•
User convenience	
Miele@home	•
Electronic controls	•
Con@ctivity	Yes
Operation	Light-touch switches with LEDs
Power levels (number excl. Intensive)	3
Run-on time 5/15 min.	•
Booster levels	1
Grease filter saturation indicator	•
CleanCover	•
Filter system	
Number of dishwasher-safe stainless steel grease filters (10-ply)	4
Lighting	
Number x W	3 x 4,5 W
Light intensity in lx	700 lx
Color temperature in K	3500 Kelvin
Light dimmer function	•
Blower	
Dual-action blower	•
Exhaust air	
Air throughput in CFM in Booster	483
Air throughput with Booster level 1 (m ³ /h) according to EN 61591	482.64 (820)
Safety	
Safety shut-off	•
Technical data	
Canopy width in in.(mm)	46 1/2 (1180)
Canopy height in in.(mm)	2 1/2 (63)
Canopy depth in in.(mm)	11 1/2 (293)
Net weight in lbs. (kg)	34 (15.0)
Length of electrical wire in ft (m)	4 (1.5)
Standard plug fitted	•
Minimum height above electric cooktops in mm	24 (610)

DA 2628

Insert ventilation hood

with energy-efficient LED lighting and backlit controls for easy use.



EAN: 4002516024439 / Material number: 10876800 /
Old Material Number: 28262855USA

Minimum safety distance above gas cooktops (max.
12.6 kW total power, burner \leq 4.5 kW) in mm 26 (660)

Plug type NEMA plug: 5-15

Number of phases 1

Total connected load in kW 0.36

Voltage in V 120

Fuse rating in A 15

Frequency in Hz 60

Installation note

Vent connection at top •

Diameter of vent connection in in.(mm) 6 (150)

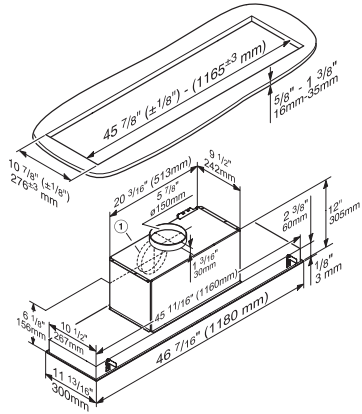
Standard accessories

Non-return flap •

DA 2628

Insert ventilation hood

with energy-efficient LED lighting and backlit controls for easy use.



DA 2628, stainless steel – Integrated cooker hood
(Installation drawing) – USA

1) Vent connection alternatively to rear