



Electric Built-in Cooktop

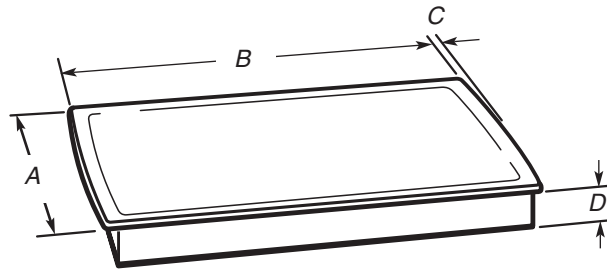
PRODUCT MODEL NUMBERS

RCS2002R RCS3014R
 RCS2012R RCS3614R
 RCS3004R

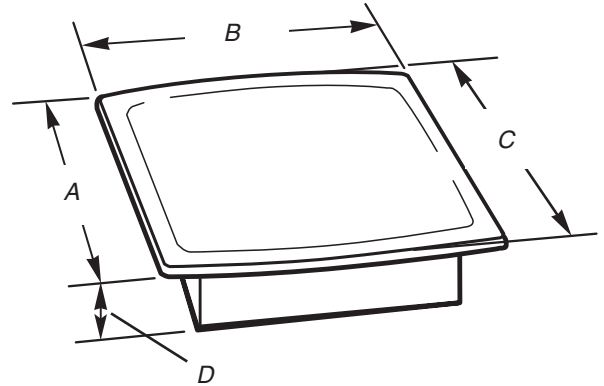
Electrical: A 4-wire or 3-wire, single phase, 240 volt, 60 Hz., AC only electrical supply is required on a separate, 40-amp circuit, fused on both sides of the line.

NOTE: The 15" (38.1 cm) model series requires a 20-amp circuit.

OVERALL DIMENSIONS

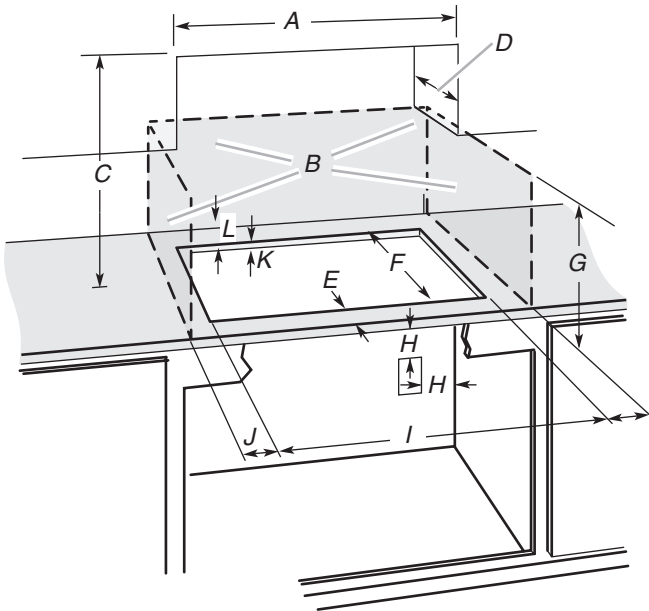


A. 21" (53.3 cm)
 B. 30" (76.2 cm)
 36" (91.4 cm)
 C. ¾" (1.9 cm)
 D. 2⅞" (7.3 cm)



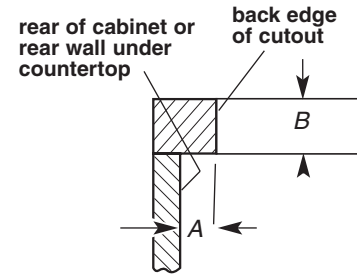
A. 16½" (41.9 cm)
 B. 21" (53.3 cm)
 C. 18" (47.7 cm) overall
 D. 2⅞" (7.3 cm)

CABINET OPENING DIMENSIONS



A. 21" (53.3 cm) on 21" (53.3 cm) models; 30" (76.2 cm) models on 30" (76.2 cm) models; 36" (91.4 cm) on 36" (91.4 cm) models
 B. Combustible area above countertop (shown by dashed box above)
 C. 30" (76.2 cm) minimum clearance between top of cooktop platform and bottom of unprotected wood or metal cabinet (24" [61 cm] minimum clearance if bottom of wood or metal cabinet is protected by not less than ¼" [0.6 cm] flame retardant millboard covered with not less than No. 28 MSG sheet steel, 0.015" [0.04 cm] stainless steel or 0.024" [0.06 cm] aluminum or 0.020" [0.05 cm] copper)
 D. 13" (33 cm) recommended upper cabinet depth
 E. 3" (7.6 cm)

For 21" (53.3 cm) model only:



A. 1⅛" (1.7 cm) min.
 B. 1⅝" (3.4 cm) max.

F. 15½" (34.4 cm) on 21" (53.3 cm) models; 18⅝" (45.7 cm) on 30" (76.2 cm) models and 36" (91.4 cm) models
 G. 18" (45.7 cm) minimum clearance from upper cabinet to countertop within minimum horizontal clearances to cooktop
 H. Junction box or outlet; 12" (30.5 cm) minimum from bottom of countertop; 10" (25.4 cm) from right side of cabinet
 I. 18⅝" (33.7 cm) on 21" (53.3 cm) models; 28⅞" (47.3 cm) on 30" (76.2 cm) models; 35" (90.2 cm) on 36" (91.4 cm) models
 J. 1" (2.5 cm) minimum distance to nearest left and right side combustible surface above cooktop
 K. 1⅛" (3.4 cm) max. counter thickness on 21" (53.3 cm) models. See following illustration.
 L. 1" (2.5 cm) minimum clearance between back wall and countertop