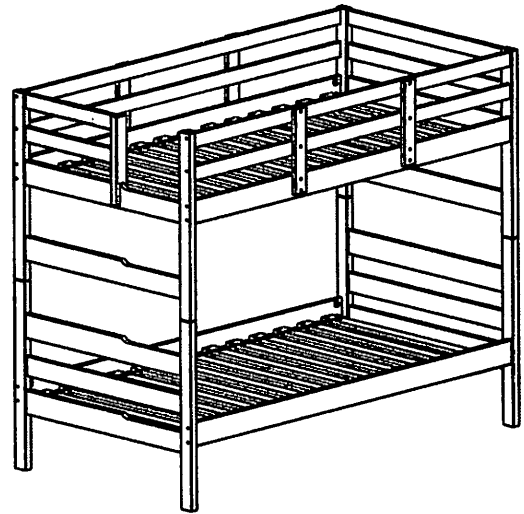


# ASSEMBLY INSTRUCTIONS

## 2305 TWIN TWIN PROMO BUNK BED

Thank you for purchasing this quality product. Be sure to check all packing materials carefully for small parts which may have come loose inside the carton during shipment. Separate, identify and count all parts and hardware. Compare with the parts list to be sure that all parts are included.



**“DO NOT TIGHTEN SCREWS AND BOLTS UNTIL COMPLETELY ASSEMBLED”.**

### SIZE OF MATTRESS AND FOUNDATION

This bed is designed to use a Twin mattress (37½" - 38½" x 74-75") and wooden slat sets, as provided by the manufacturer.

The total thickness of the mattress must not exceed 8".

**Note:** There must be at least 5" from top surface of mattress to top edge or guardrails.

### REPLACEMENT PARTS:

Replacement parts, including additional guardrails, may be obtained from place of purchase or original distributor.

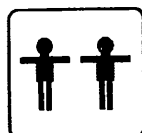
TO OBTAIN PARTS, PLEASE CONTACT: DONCO TRADING COMPANY - FORT WORTH, TEXAS

## **SAFETY WARNINGS!**

- 1- Follow the information on the warning label appearing on the upper bunk end structure and on the carton. Do not remove warning label from bed.
- 2- Always use the recommended size of mattress or mattress support, or both, to help prevent the likelihood of entrapment or falls.
- 3- The surface of mattress must be at least 5" below the upper edge of guardrails.
- 4- Do not allow children under 6 years of age to use the upper bunk.
- 5- Prohibit more than one person on upper bunk.
- 6- Periodically check and ensure that the guardrail, ladder and other components are in their proper position free from damage, and that all connectors are tight.
- 7- Do not allow horseplay on or under the bed and prohibit jumping on the bed.
- 8- Always use the ladder for entering and leaving the upper bunk.
- 9- Do not use substitute parts. Contact the distributor or dealer for replacement parts.
- 10- The use of a night light may provide added safety precaution for a child using the upper bunk.
- 11- If the bunk bed will be placed next to a wall, the guardrail that runs the full length of the bed should be placed against the wall to prevent entrapment between the bed and the wall.
- 12- Always use guardrails on both long sides of the upper bunk.
- 13- The use of water or sleep flotation mattresses is prohibited.
- 14- Keep these instructions for future reference.
- 15- Strangulation Hazard - Never attach or hang items to any part of the bunk bed that are not designed for use with the bed: for example, but not limited to, hooks, belts, and jump ropes, etc.



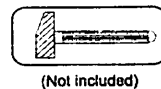
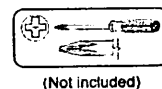
**!**  
\* Use of power tool to assemble this product will invalidate any claim and damage this product making unsafe !!!  
\* Please assemble on a clean soft surface to avoid damage.



+



### Tools Required

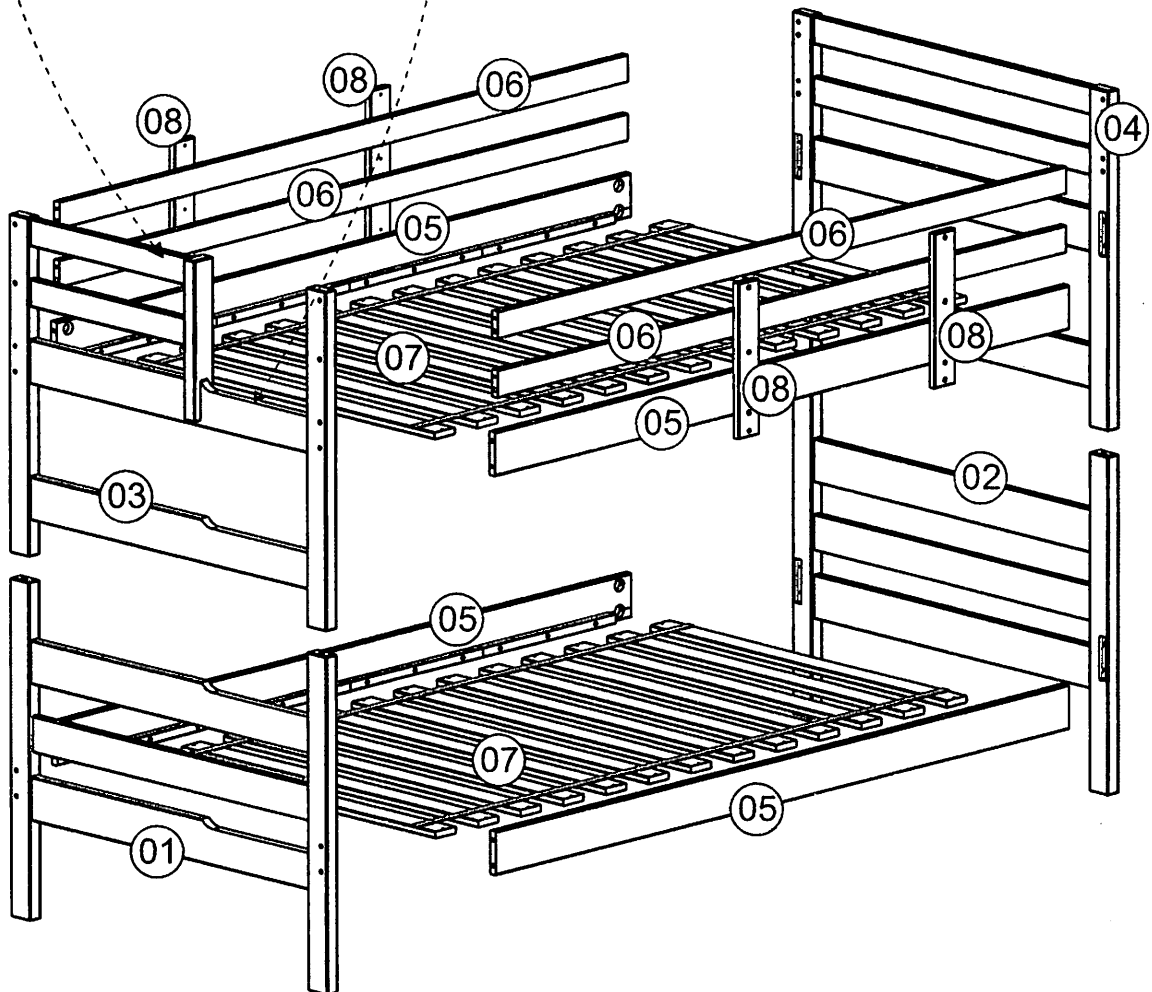


**IMPORTANT: PLEASE READ INSTRUCTIONS BEFORE STARTING THE ASSEMBLY**

Part List: 2305 TWIN TWIN PROMO BUNK BED

**WARNING LABEL  
DO NOT REMOVE!**

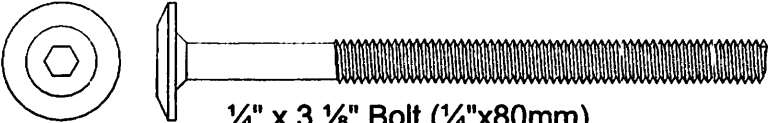
**CERTIFICATION LABEL  
DO NOT REMOVE!**




**CAUTION!**

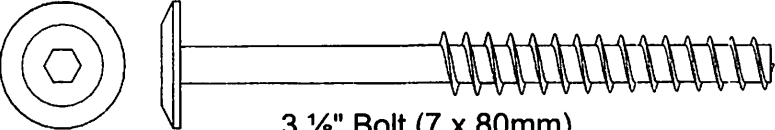
*Please be careful when assembling this product due the parts are extremely heavy  
Also, please do not allow kids around when assembling this bed to avoid injuries!*

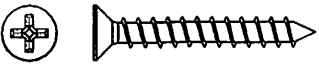
Identify the size and type of hardware using the illustration below:

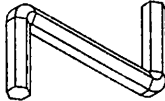
**A**  **Qty 16**  
 $\frac{1}{4}$ " x  $3\frac{1}{8}$ " Bolt ( $\frac{1}{4}$ "x80mm)


**B**   $\frac{1}{4}$ " **Qty 16**  
Half Moon Nut

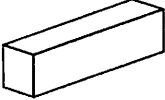
**C**  **Qty 08**  
 $1\frac{9}{16}$ " Wooden Dowel (10 x 40mm)

**D**  **Qty 08**  
 $3\frac{1}{8}$ " Bolt (7 x 80mm)

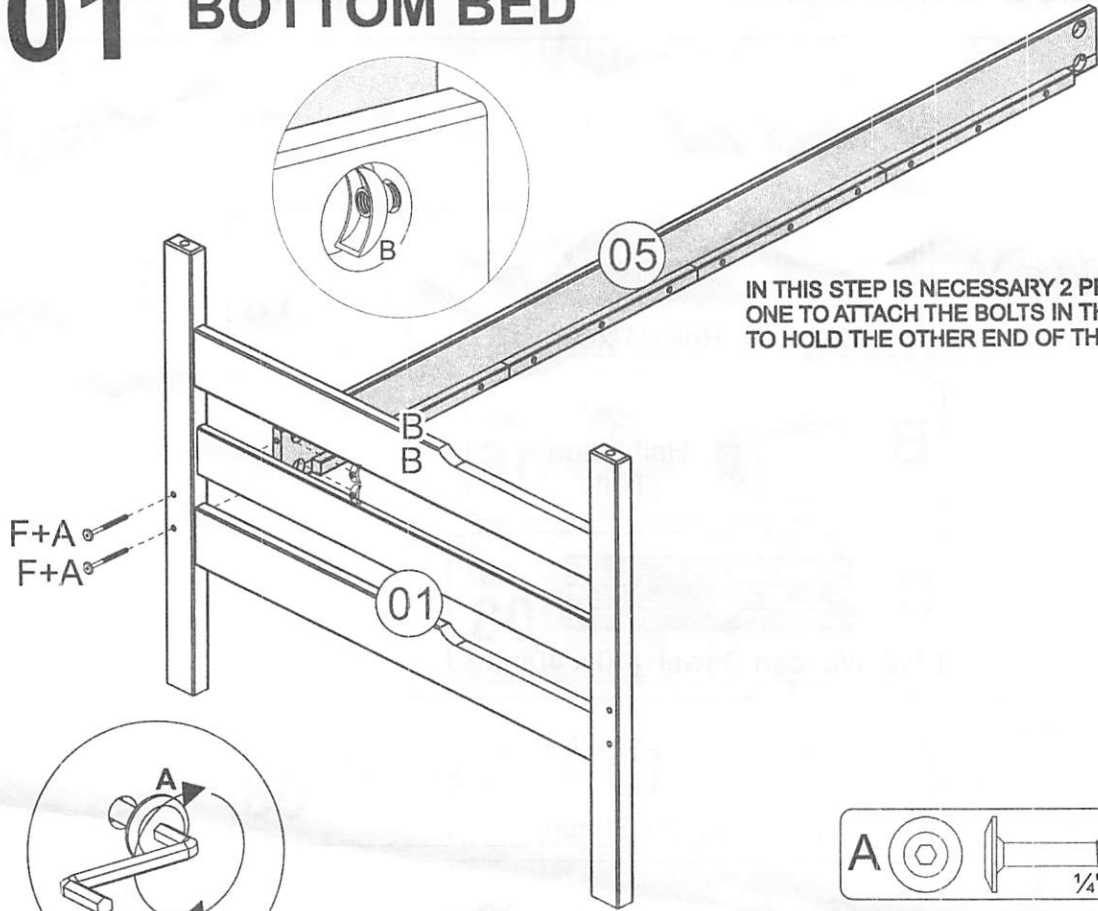
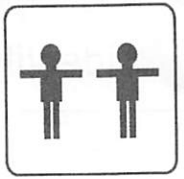
**E**  **Qty 68**  
 $1\frac{3}{16}$ " Screw (4 x 30mm)

**F**  **Qty 01**  
Allen wrench

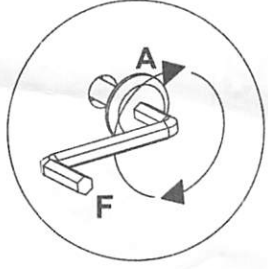
**G**  **Qty 04**  
 $3\frac{15}{16}$ " Wooden Dowel (15 x 100mm)


**H**  **Qty 02**  
Wooden spacer  
 $2\frac{7}{8}$ " (73mm)

# 01 BOTTOM BED



IN THIS STEP IS NECESSARY 2 PEOPLE TO AVOID DAMAGE. ONE TO ATTACH THE BOLTS IN THE HEADBOARD AND ONE TO HOLD THE OTHER END OF THE SIDE RAIL.

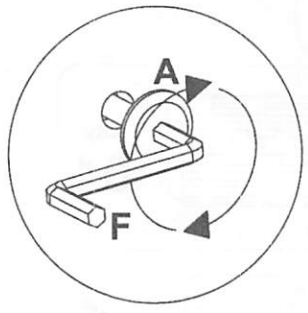
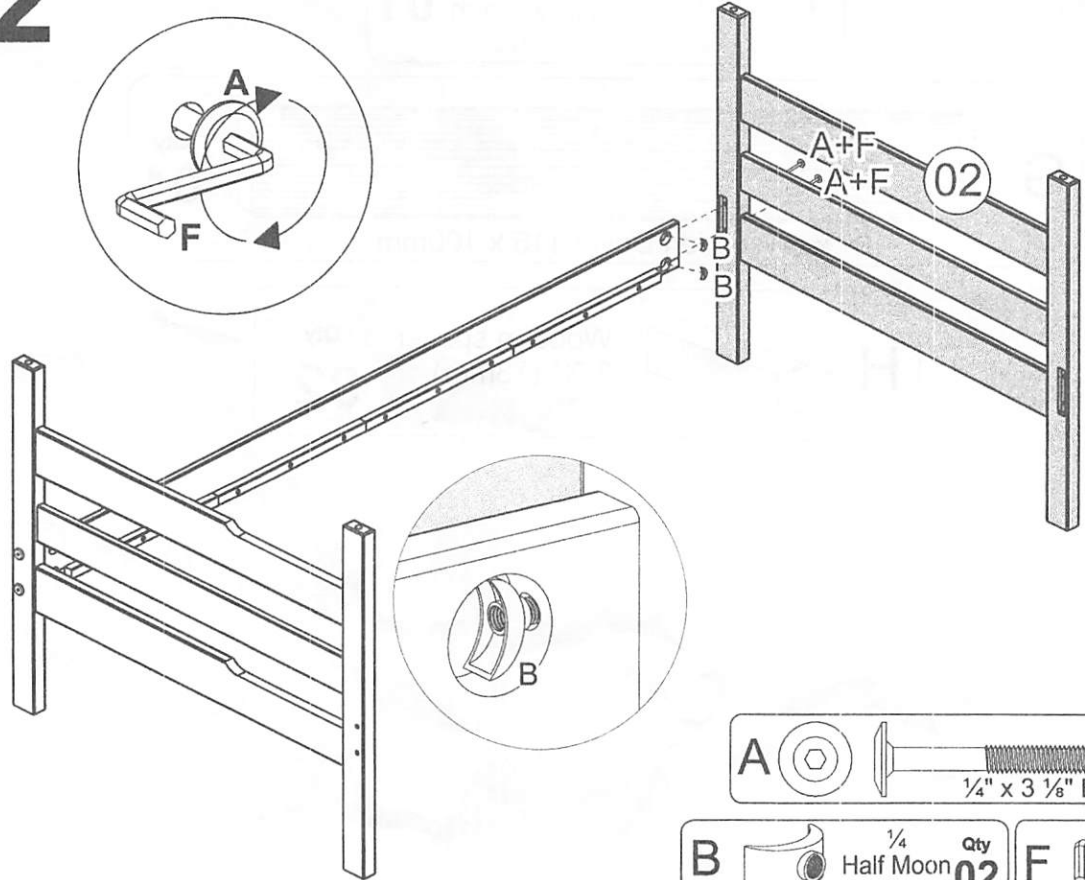



**A**   $\frac{1}{4}$ " x  $3 \frac{1}{8}$ " Bolt Qty **02**

**B**   $\frac{1}{4}$  Half Moon Nut Qty **02**

**F**  Allen wrench Qty **01**

# 02



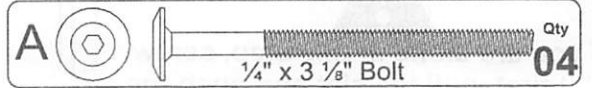
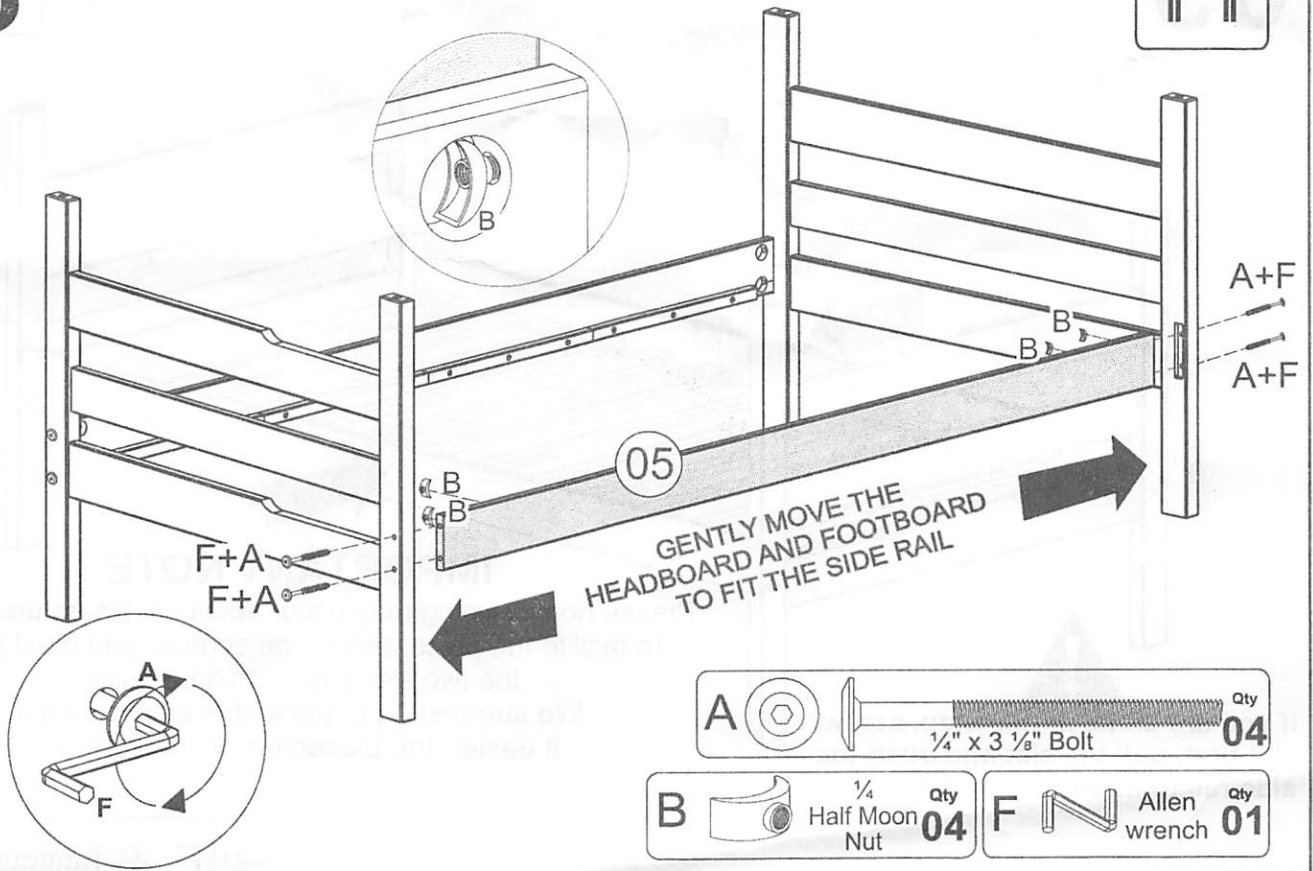
**A**   $\frac{1}{4}$ " x  $3 \frac{1}{8}$ " Bolt Qty **02**

**B**   $\frac{1}{4}$  Half Moon Nut Qty **02**

**F**  Allen wrench Qty **01**

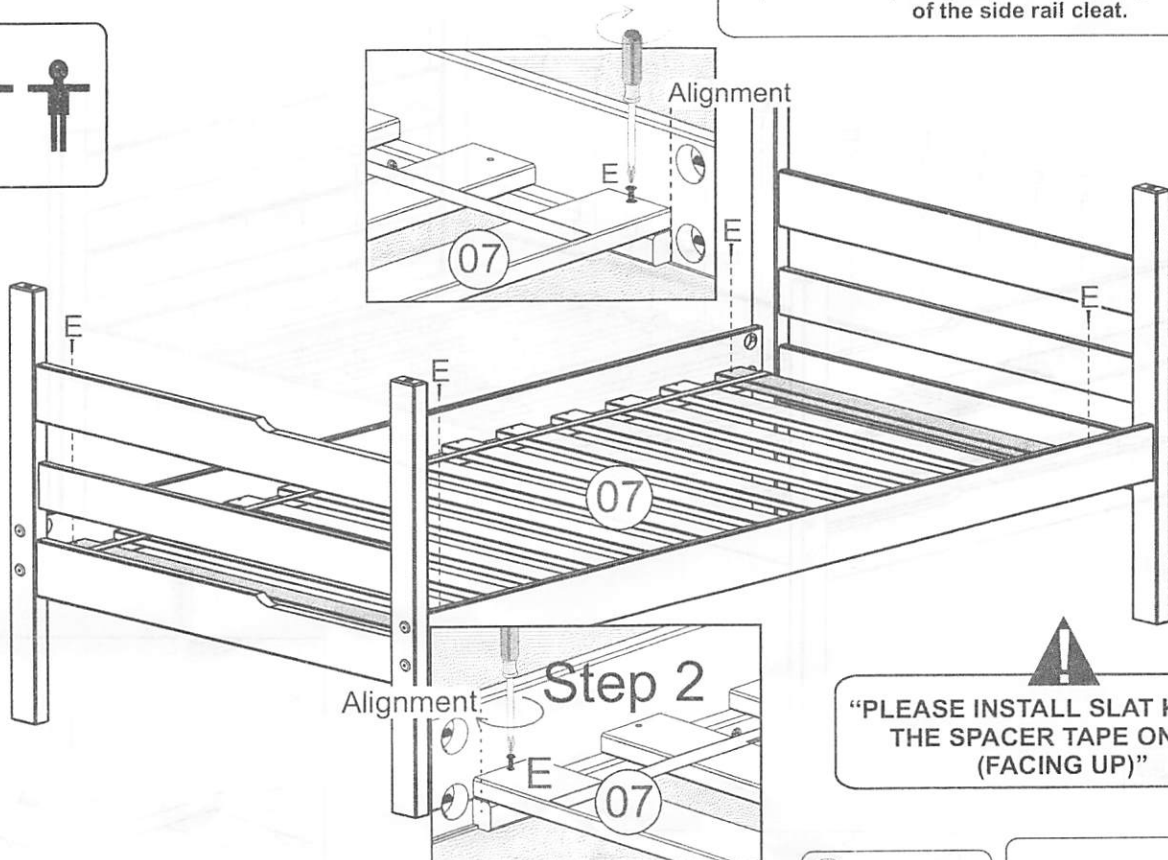
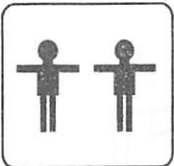
# 03

IN THIS STEP IS NECESSARY 2 PEOPLE TO AVOID DAMAGE. ONE TO ATTACH THE BOLTS IN THE HEADBOARD AND ONE TO HOLD THE OTHER END OF THE SIDE RAIL.

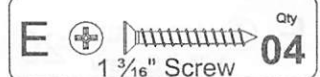
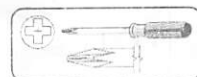


# 04

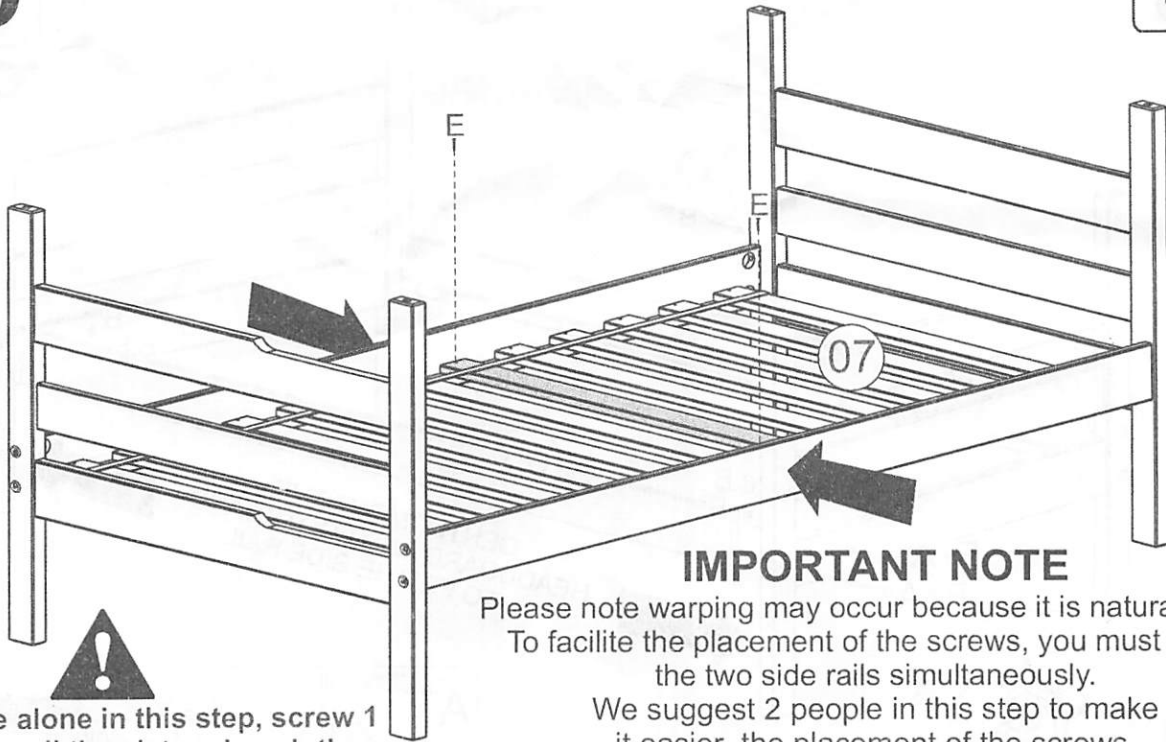
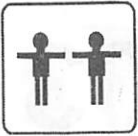
The first slat must be fixed to the end of the side rail cleat. After fixing the first slat, open the slat set, leaving the tape stretched, until the last slat is aligned at the end of the side rail cleat.



**!**  
"PLEASE INSTALL SLAT KIT WITH THE SPACER TAPE ON TOP (FACING UP)"



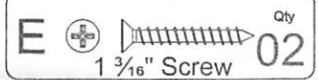
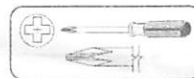
# 05



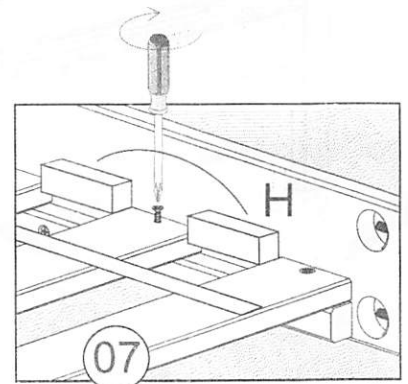
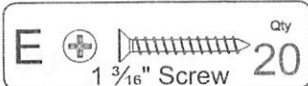
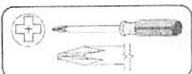
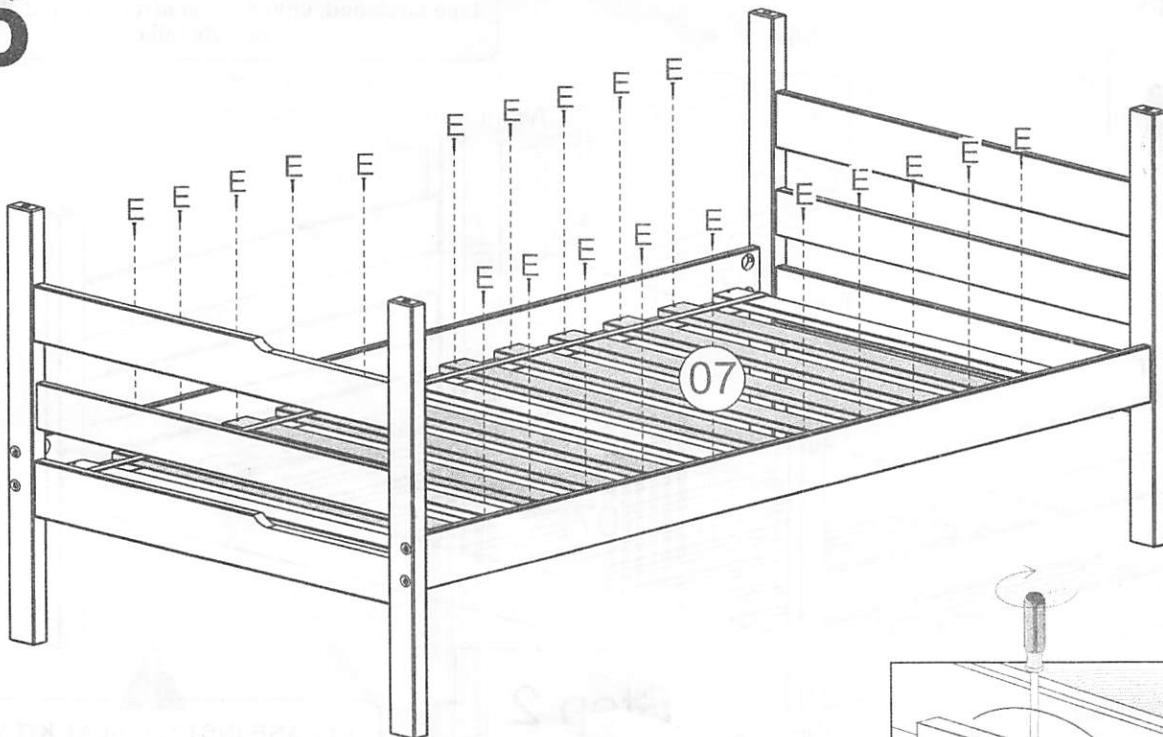
If you are alone in this step, screw 1 slat first, pull the slat and push the side rail to fix the other slat.

## IMPORTANT NOTE

Please note warping may occur because it is natural wood. To facilitate the placement of the screws, you must press the two side rails simultaneously. We suggest 2 people in this step to make it easier the placement of the screws.

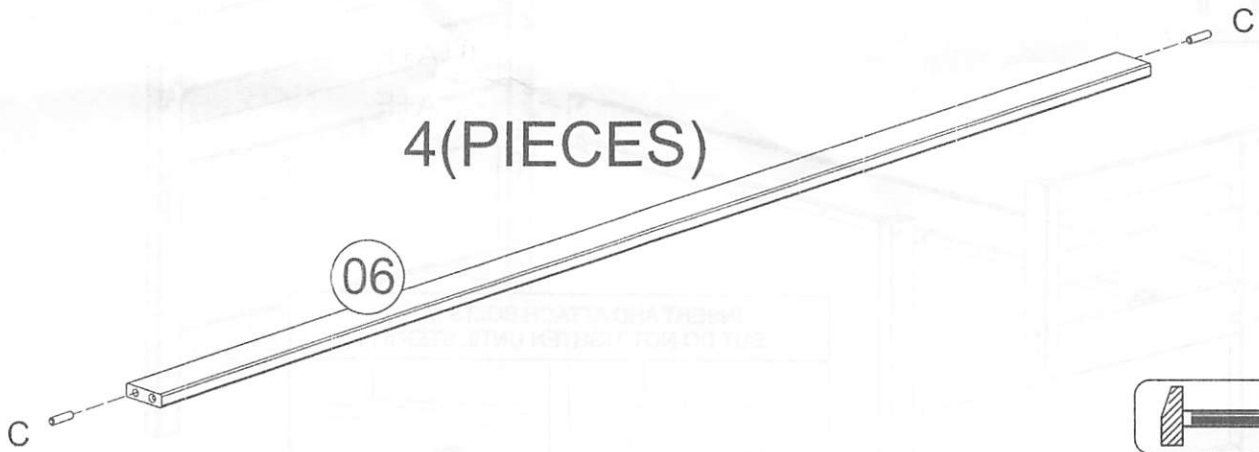


# 06

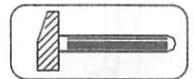


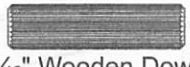
# 07

## TOP BED



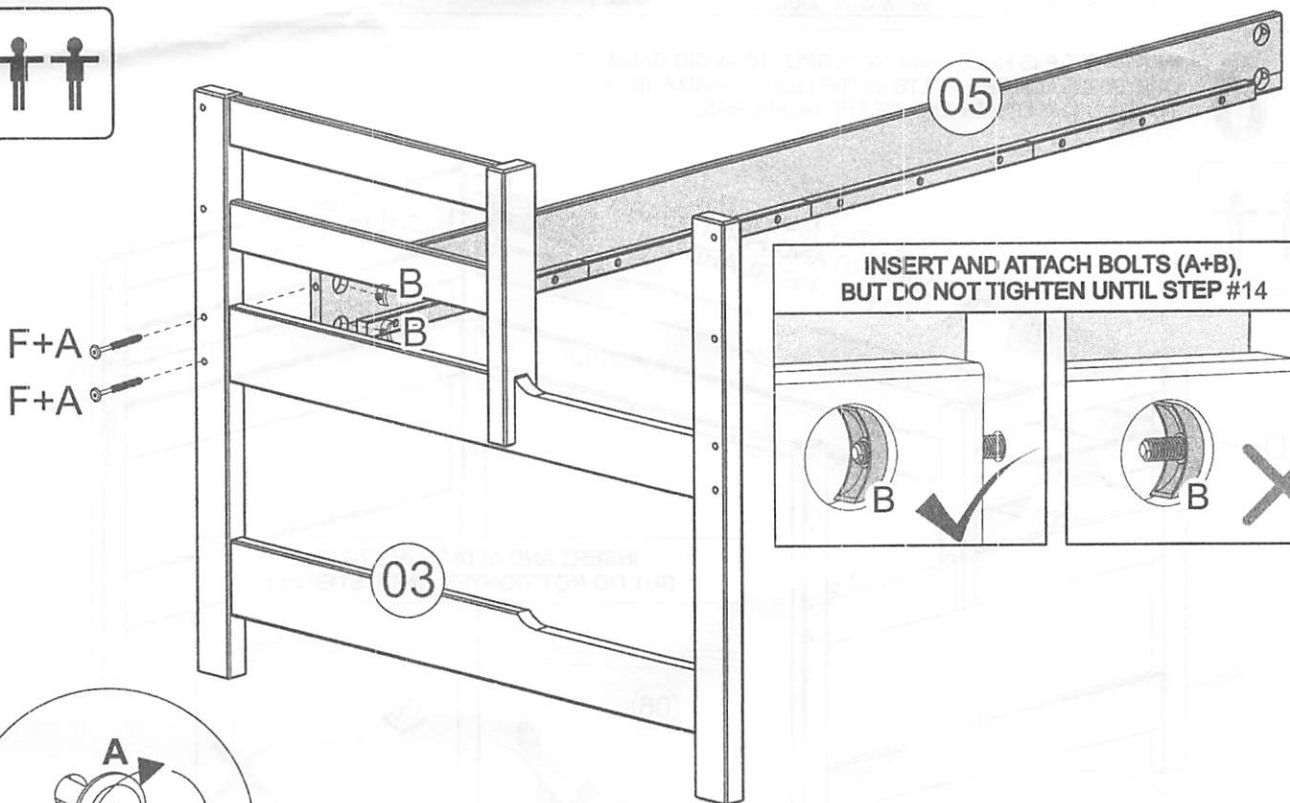
4(PIECES)



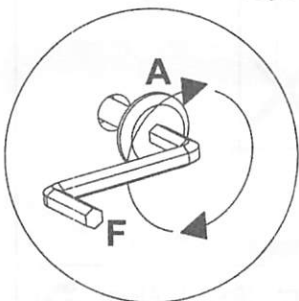
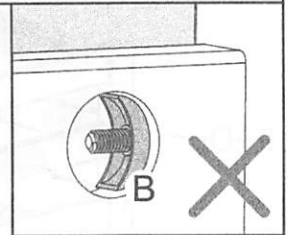
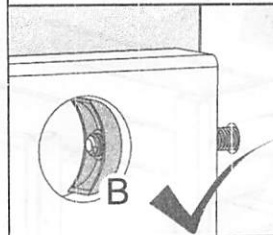
**C**  Qty **08**  
1 9/16" Wooden Dowel

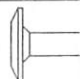
# 08

IN THIS STEP IS NECESSARY 2 PEOPLE TO AVOID DAMAGE. ONE TO ATTACH THE BOLTS IN THE HEADBOARD AND ONE TO HOLD THE OTHER END OF THE SIDE RAIL.



INSERT AND ATTACH BOLTS (A+B),  
BUT DO NOT TIGHTEN UNTIL STEP #14

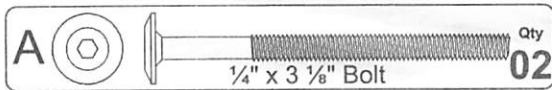
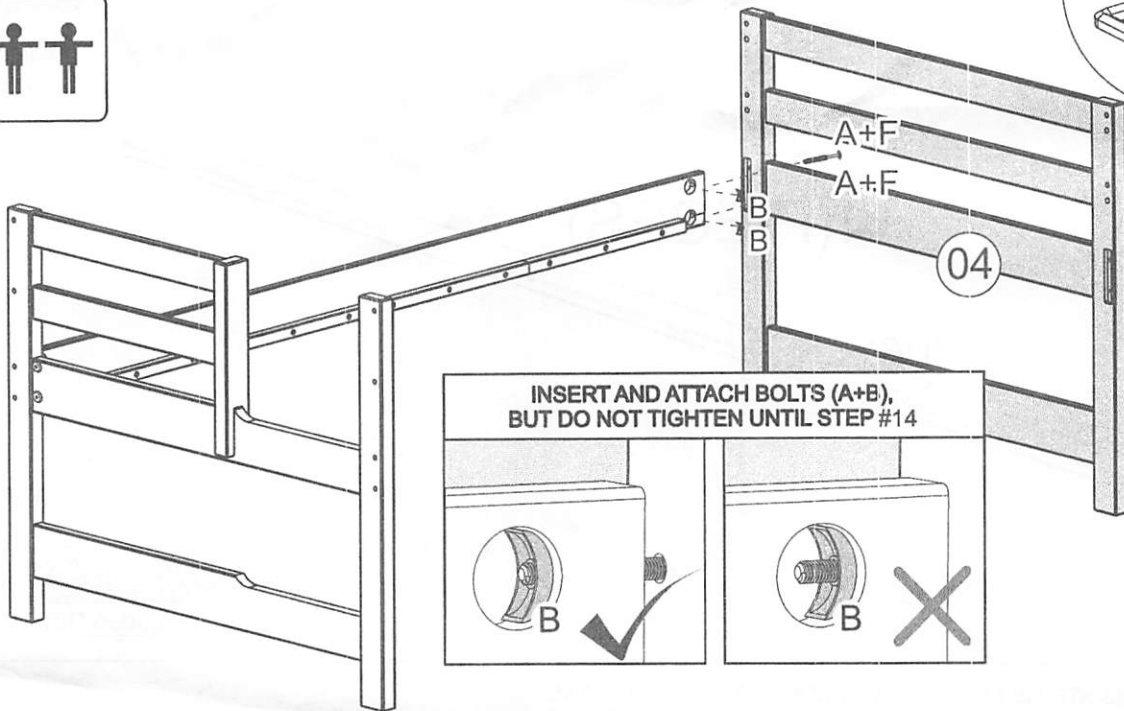
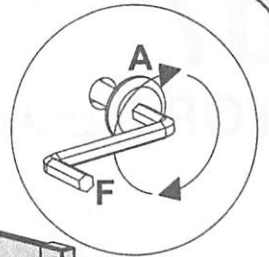


**A**  Qty **02**  
1/4" x 3 1/8" Bolt

**B**  1/4" Half Moon Nut Qty **02**

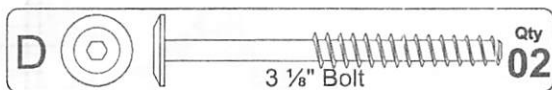
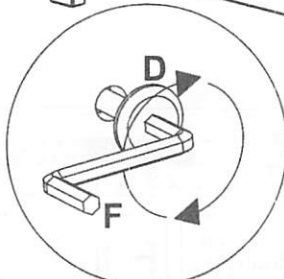
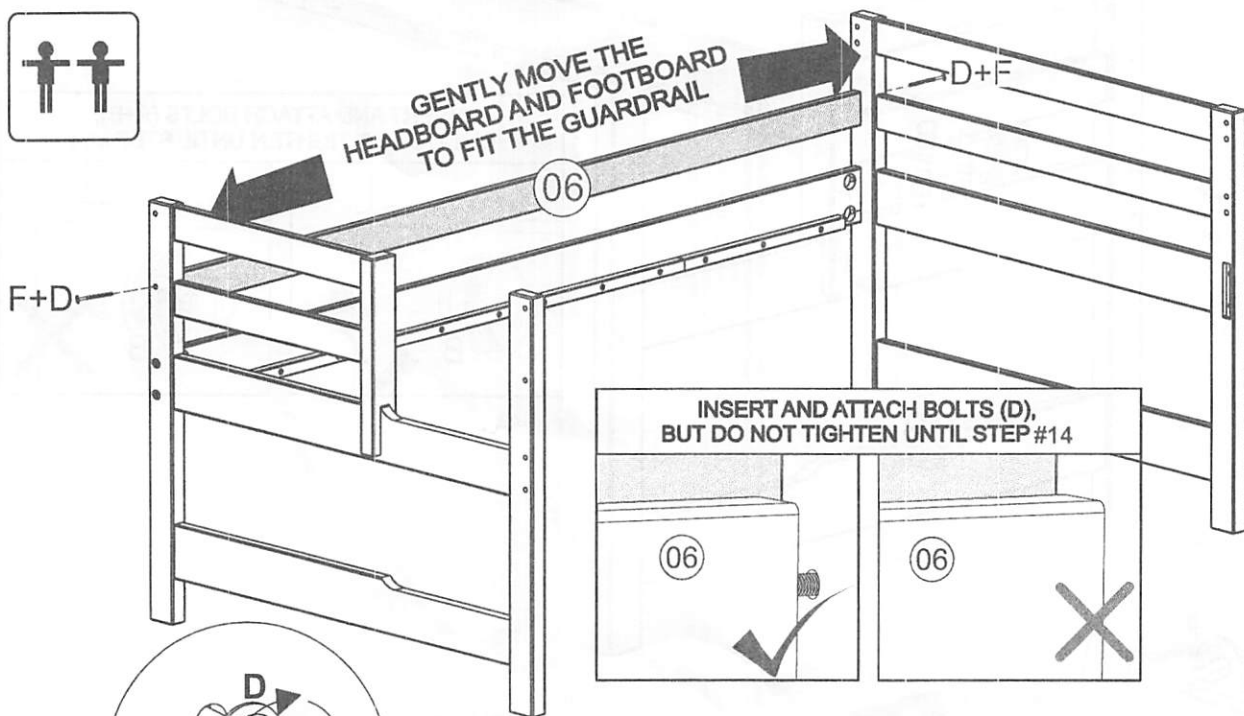
**F**  Allen wrench Qty **01**

# 09



# 10

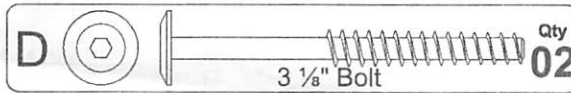
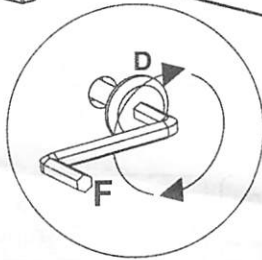
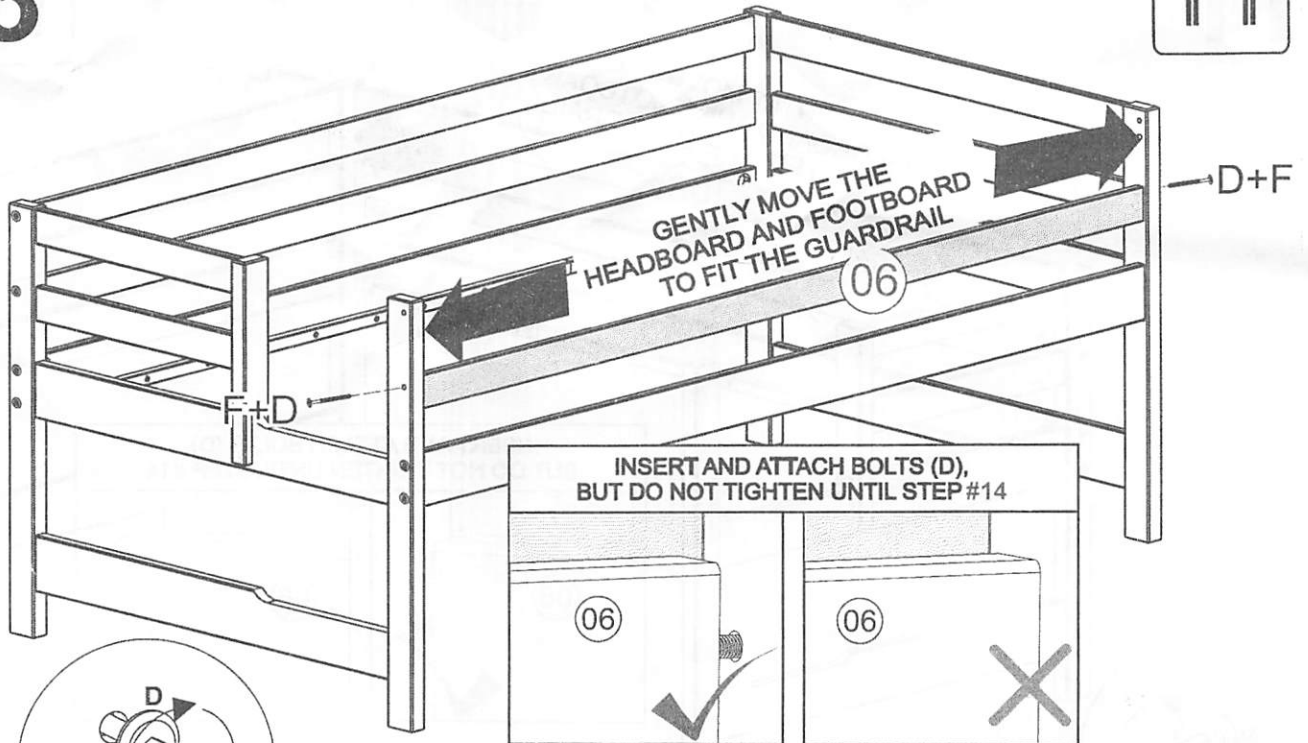
IN THIS STEP IS NECESSARY 2 PEOPLE TO AVOID DAMAGE. ONE TO ATTACH THE BOLTS IN THE HEADBOARD AND ONE TO HOLD THE OTHER END OF THE GUARDRAIL.





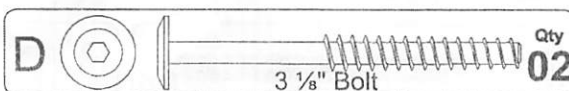
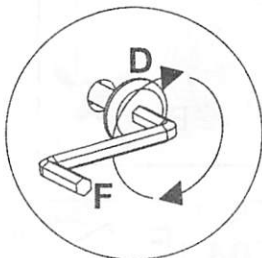
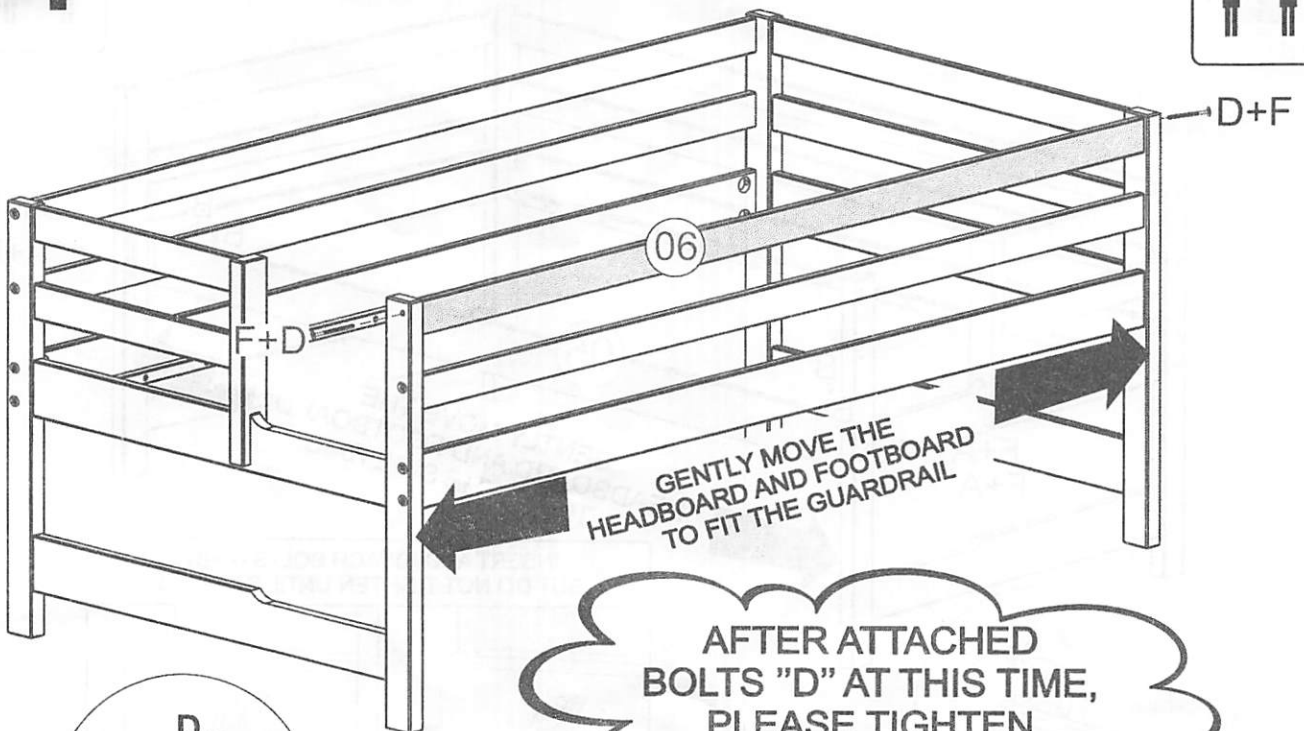
# 13

IN THIS STEP IS NECESSARY 2 PEOPLE TO AVOID DAMAGE. ONE TO ATTACH THE BOLTS IN THE HEADBOARD AND ONE TO HOLD THE OTHER END OF THE GUARDRAIL.

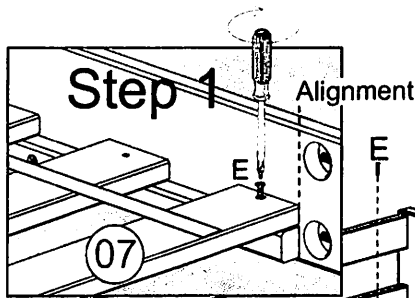


# 14

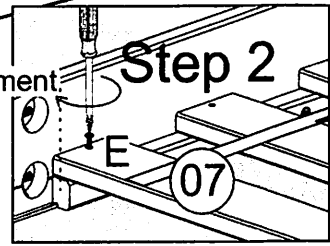
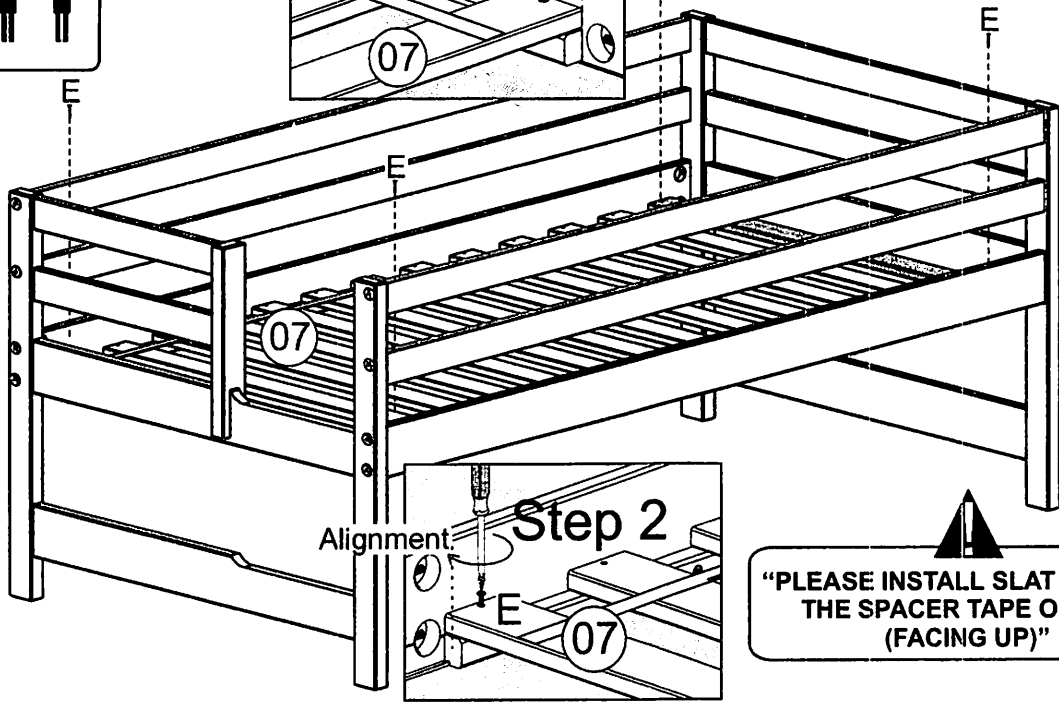
IN THIS STEP IS NECESSARY 2 PEOPLE TO AVOID DAMAGE. ONE TO ATTACH THE BOLTS IN THE HEADBOARD AND ONE TO HOLD THE OTHER END OF THE GUARDRAIL.



# 15



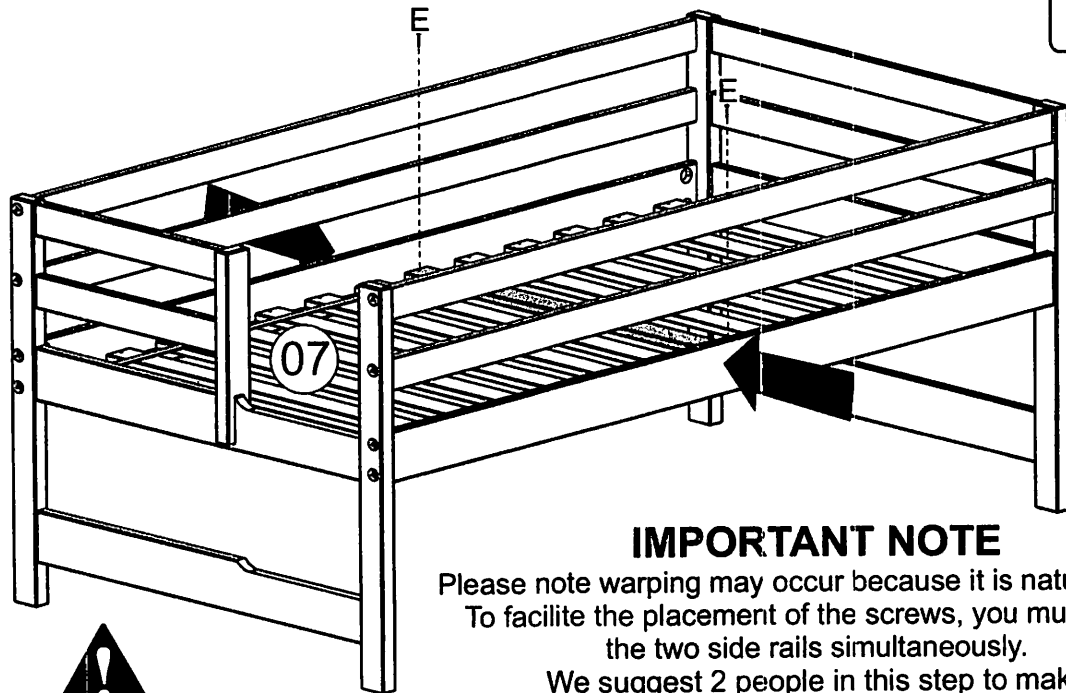
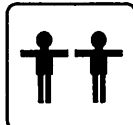
The first slat must be fixed to the end of the side rail cleat.  
After fixing the first slat, open the slat set, leaving the tape stretched, until the last slat is aligned at the end of the side rail cleat.



**"PLEASE INSTALL SLAT KIT WITH THE SPACER TAPE ON TOP (FACING UP)"**



# 16



### IMPORTANT NOTE

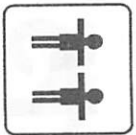
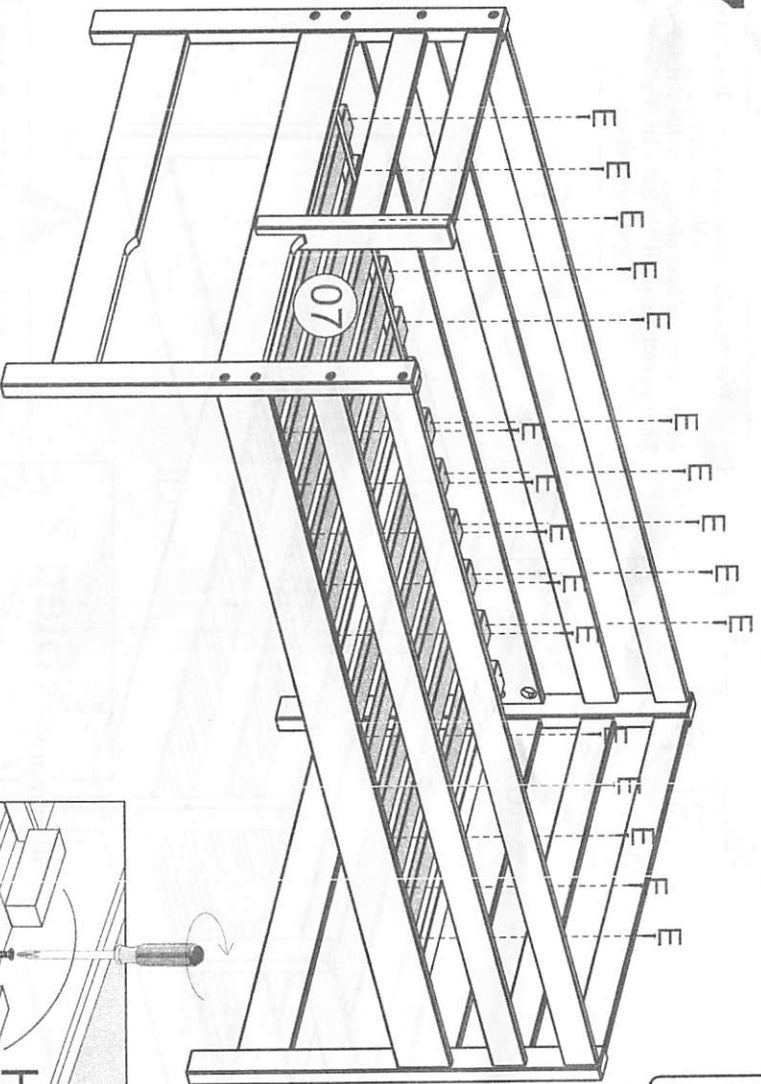
Please note warping may occur because it is natural wood. To facilitate the placement of the screws, you must press the two side rails simultaneously. We suggest 2 people in this step to make it easier the placement of the screws.



If you are alone in this step, screw 1 slat first, pull the slat and push the side rail to fix the other slat.

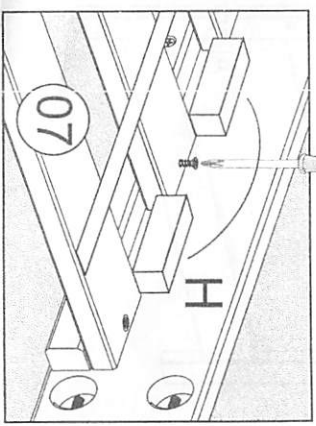


# 17

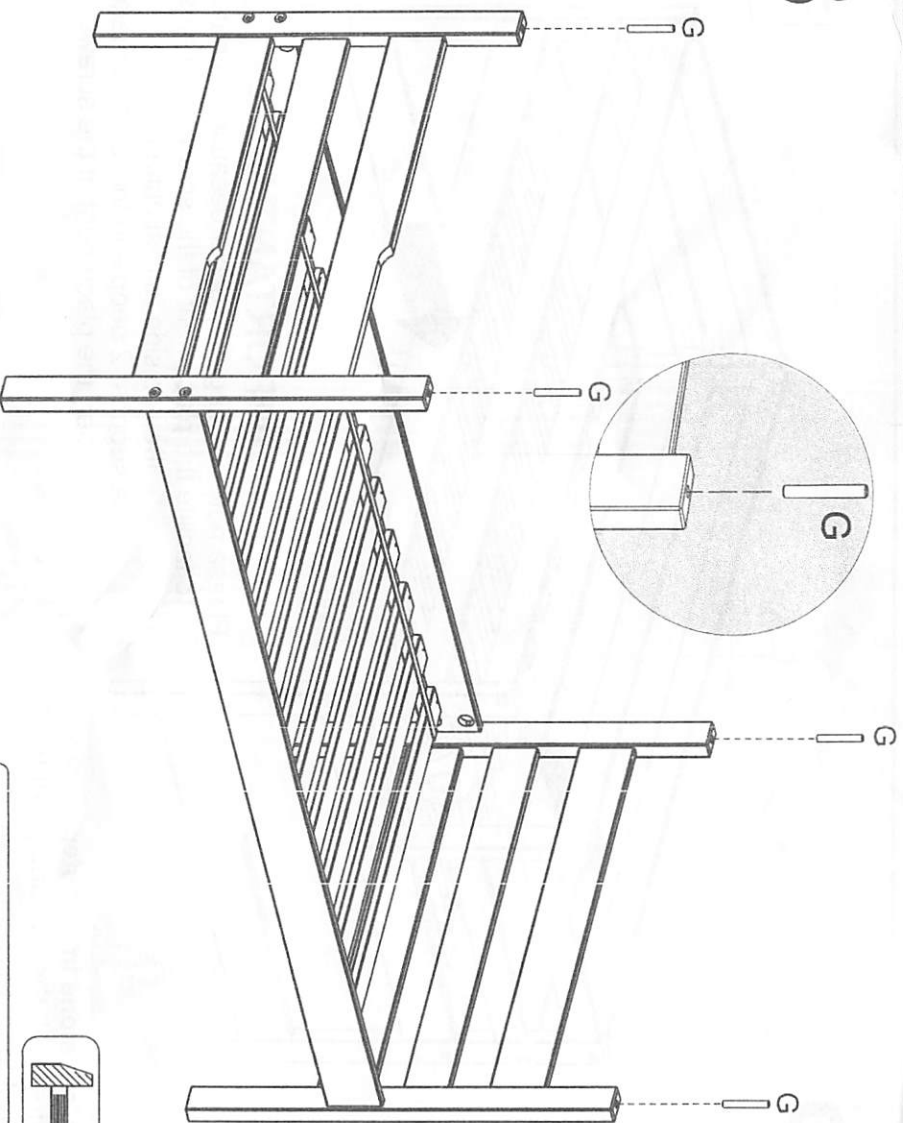


**E**  **Quantity** 20  
**Part** 1 3/16" Screw

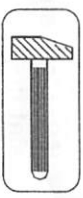
**H**  **Quantity** 02  
**Part** Wooden spacer  
2 7/8" (73mm)



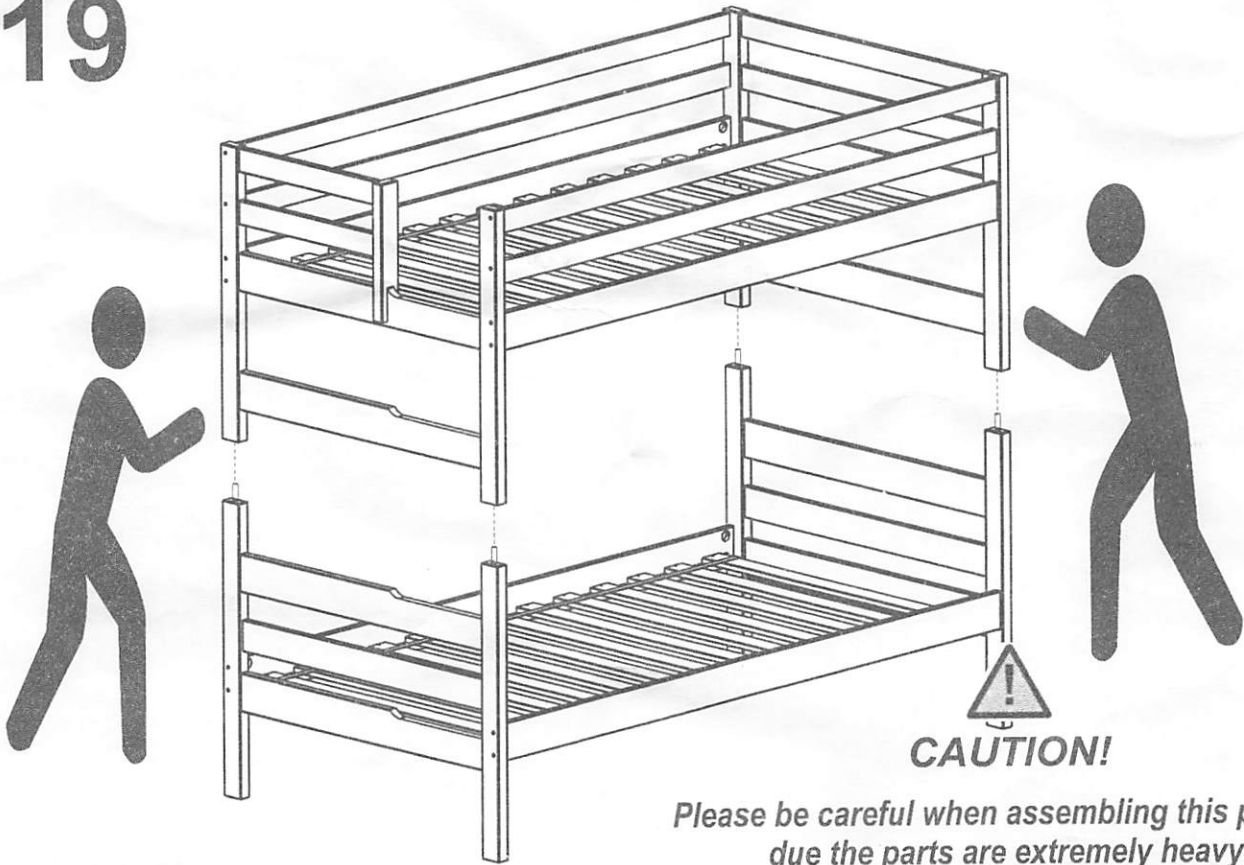
# 18



**G**  **Quantity** 04  
**Part** 3 9/16" Wooden Dowel



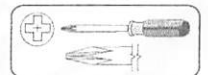
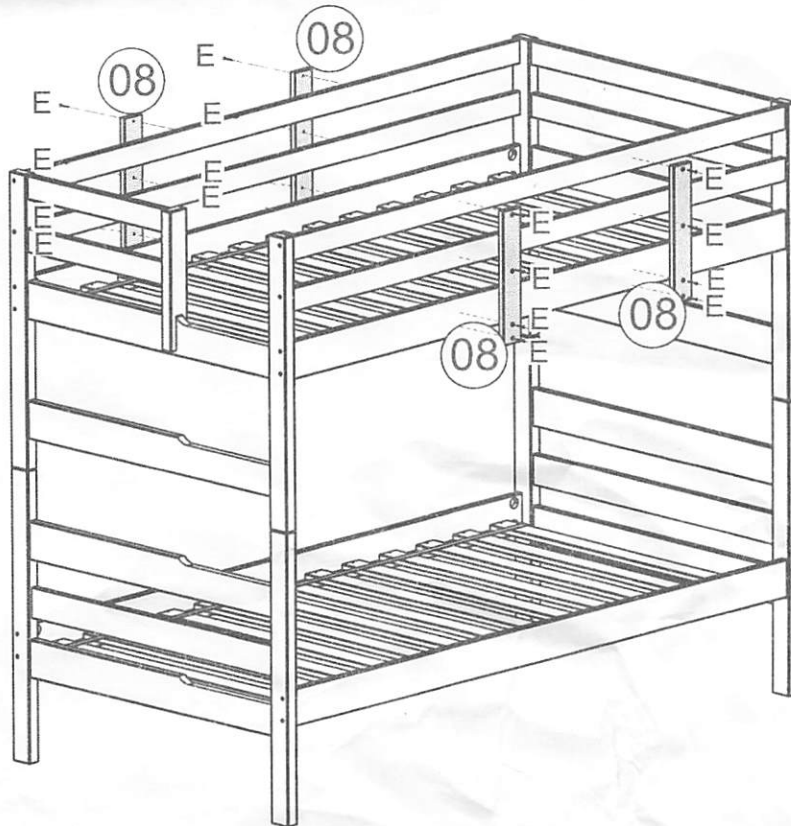
# 19



**CAUTION!**

*Please be careful when assembling this product due the parts are extremely heavy. Also, please do not allow kids around when assembling this bed to avoid injuries!*

# 20



**E**  Qty **16**  
1 3/16" Screw