



FD-1002M_J(Z)-CB

Modular Ice Machine
Slim-Line Dispenser Series

FD-1002M_J(Z)-CB
11/06/24
Item # 13242CB

W x D x H
22" x 24" x 26"


FD-1002MAJ-CB
Air-Cooled Cubelet

FD-1002MRJZ-CB
Remote Air-Cooled Cubelet



Item #: _____
Project: _____
Qty: _____
AIA#: _____

Features

- ▶ Durable stainless steel exterior
- ▶ Advanced CleanCycle24™ design 
- ▶ Stainless steel auger with greaseless bearing

- Gloss black vinyl clad front cover with stainless steel top and sides
- Up to 890 lbs. of ice production per 24 hours
- 2 second flush cycle every hour
- Flush cycle removes sediment for cleaner ice
- Infrared bin control for easy cleaning and reliability
- Ice on beverage design
- Popular cubelet ice
- R-404A Refrigerant

Available on Bins:

B-250SF B-500SF B-700SF B-800SF B-900SF

Top kit may be required; See Bin Spec Sheets.

Warranty:

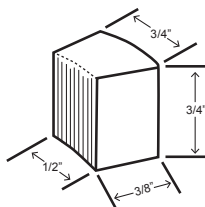
3 Year Parts & Labor on entire machine. 5 Year Parts on Compressor; air-cooled condenser coil. Valid in United States, Canada, Puerto Rico and U.S. Territories. Contact factory for warranty in other countries.

Shipping: (LxWxH) 28.5" x 26.75" X 31.5" Volume: 13.9ft³



Condenser	Model	ICE PRODUCTION		WATER USAGE		ELECTRICAL					Refrigerant Charge Amount	Net / Ship Weight (lbs.)	
		Air / Water Temp Lbs. per 24 hours 70°/50°F 90°/70°F	Potable Gal. per 100 lbs. 90°/70°F	Condenser Gal. per 100 lbs. 90°/70°F	kWh Used per 100 lbs. 90°/70°F	Min. Circuit/Max. Fuse Size	Amperage	Voltage	Circuit Wires (including ground)	Heat Rejection BTU/hr.			
Air	FD-1002MAJ-CB	890	726	12.0	N/A	4.57	20A	15.2A	115V/60/1	3	8,700	2 lb. 4.0 oz.	176 / 210
Remote	FD-1002MRJZ-CB	821	680	12.0	N/A	4.94	20A	15.3A	115V/60/1	3	8,500	2 lb. 3.3 oz. 4 lbs. 1 oz. † (with condenser)	176 / 210

Cube Dimensions*



* approximate size in inches, image not to scale

Operating Limits

- Ambient Temp Range 45 - 100°F
- Water Temp Range 45 - 90°F
- Water Pressure 10 - 113 PSIG
- Voltage Range 104-127V
- If GFCI is required, a GFCI breaker MUST be used in lieu of GFCI receptacle

Service

- Panels easily removed and all components accessible for service.
- Allow 24" (61 cm) clearance at top for removal of auger and 6" (15 cm) clearance at rear and sides for proper air circulation and ease of maintenance/service.

Plumbing

- Icemaker Water Supply Line: Minimum 1/4" Nominal ID Copper Water Tubing or Equivalent
- Icemaker Drain Line: Minimum 3/4" Nominal ID Hard Pipe or Equivalent

Water Filter

Please refer to water filter specification sheet for recommendations.

Hoshizaki reserves the right to change specifications without notice.

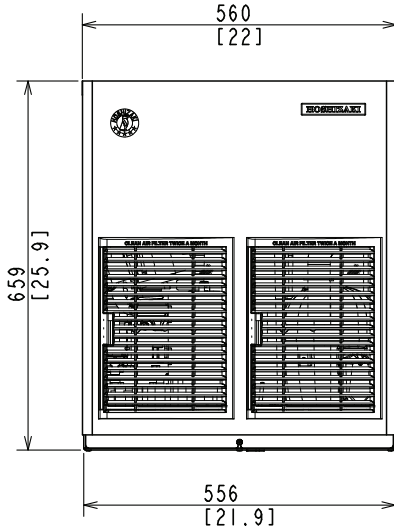


FD-1002M_J(Z)-CB

Modular Ice Machine
Slim-Line Dispenser Series

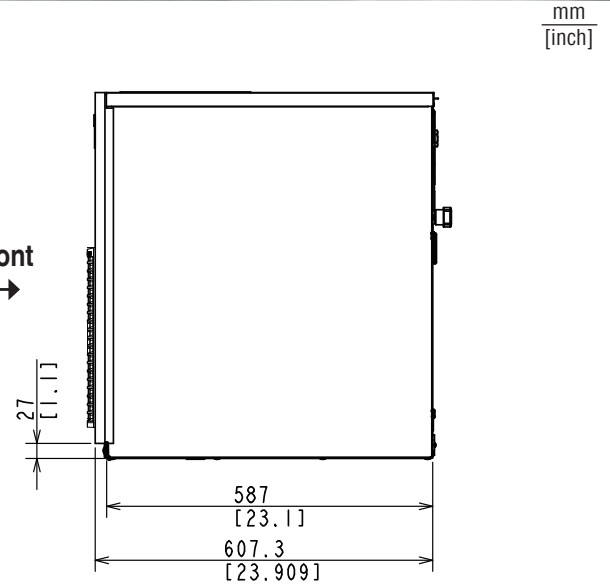
FD-1002M_J(Z)-CB
11/06/24
Item # 13242CB

FRONT VIEW

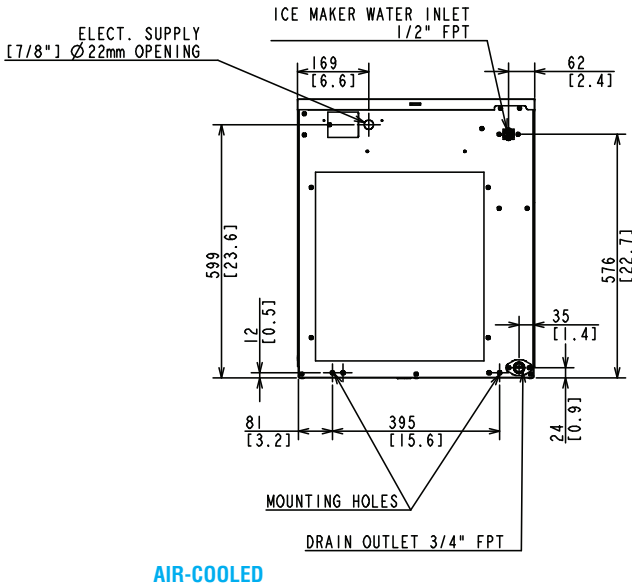


SIDE VIEW

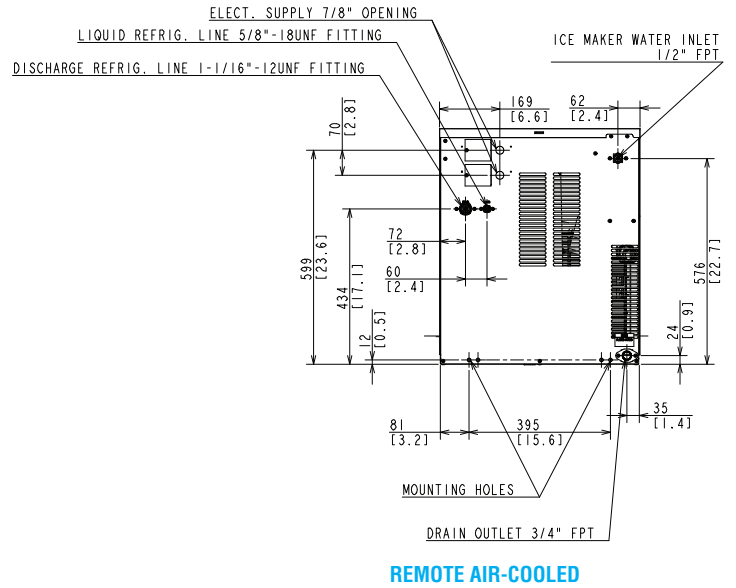
Front
→



BOTTOM VIEW

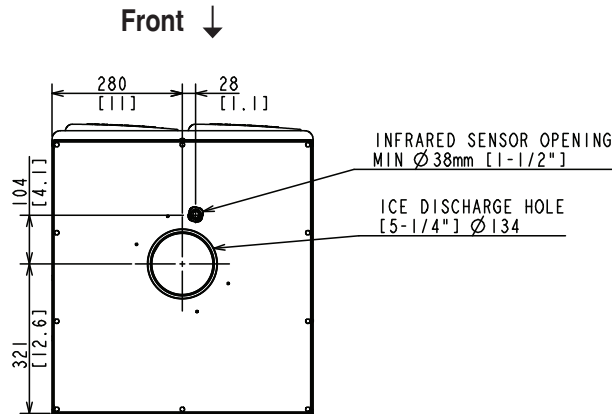


AIR-COOLED



REMOTE AIR-COOLED

REAR VIEW



URC-5F Remote Condenser (Sold Separately)

(W x D x H) 21 13/16 x 14 1/16 x 32 13/16

For Use with FD-1002MRJ-CB



Pre-Charged Tubing Kits
(Sold Separately)
25' HS-5587
35' HS-5588

Voltage supply for the URC
Remote Condenser is supplied
from the Ice Maker.
No additional circuit is required.

