

# 15" VG414210CA Vario 400 series gas wok



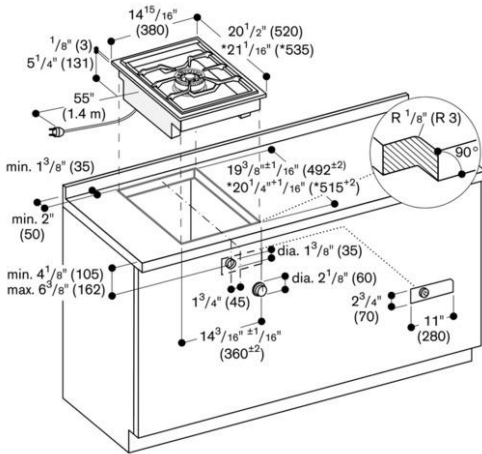
## Installation accessories:

- VV 420010 - short connection strip for surface mount install. w/o appliance cover
- SV 401090 - shaft extension for up to 5 1/2" (see adjacent drawing)
- SV 401205 - shaft extension for up to 11 13/16" (see adjacent drawing)

## Optional accessories:

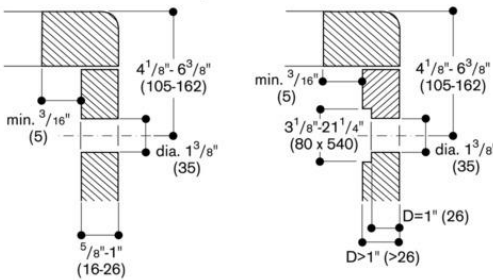
- VA 440010 - stainless steel cover
- WP 400001 - Wok pan

## Surface-mount installation

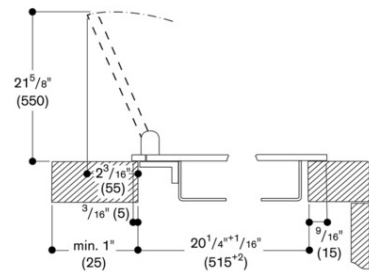


\* with appliance cover or adjustment strip.  
See separate planning notes.

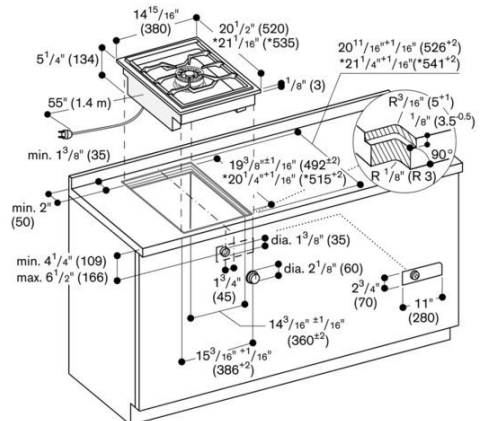
## Installation of the control knob, surface installation



## Installation with appliance cover/spacer batten; surface installation

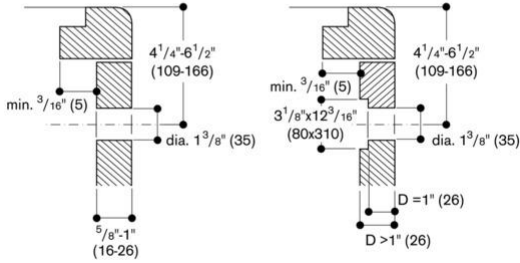


## Flush Installation

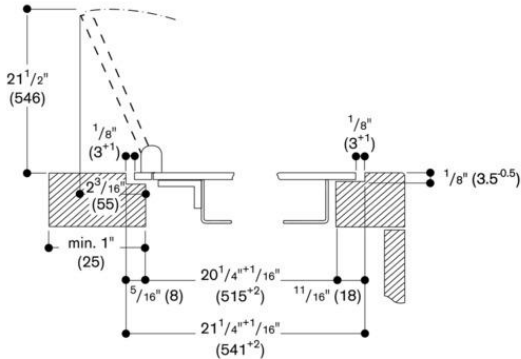


\* with appliance cover or spacer batten.  
See separate planning notes.

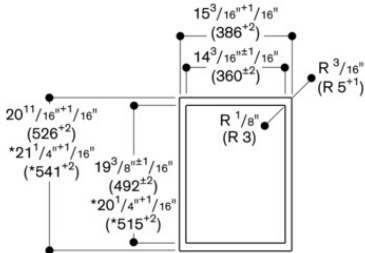
Installation of the control knob; installation flush with surrounding surfaces



Installation with appliance cover/spacer batten; flush installation

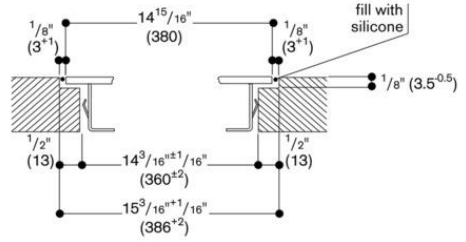


View from above

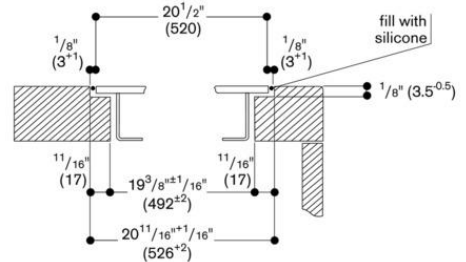


\* with appliance cover or spacer batten  
(observe the front and rear asymmetrical support, see separate notes "Installation with appliance cover/ spacer batten").

Longitudinal section



Cross-section



When installing with appliance cover or spacer batten, pay attention to the deeper cut-out and the front and rear groove width.

Possible axis extensions

