






Wood And Metal Swivel Counter Stool




Model #104822-131145 (4802-827C)

Date: 11-08-2018

Page 1 of 2

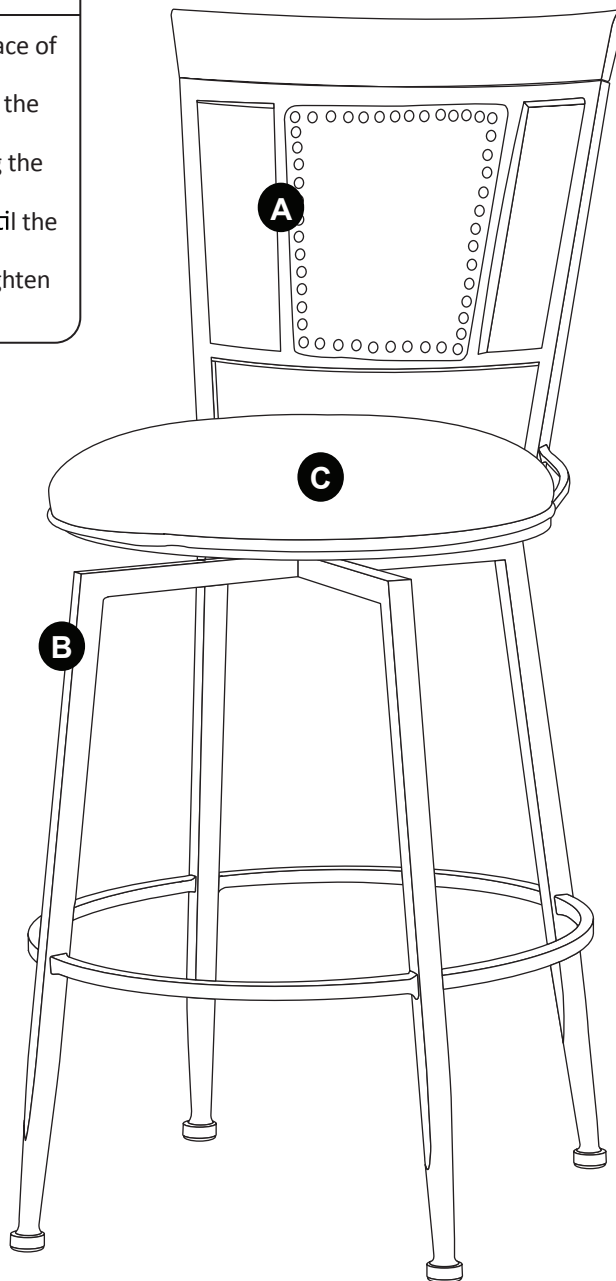
Examine all packaging material for small parts that may have come loose during shipment. Periodic checks are recommended to insure that all components are in proper position, tight and free from damage. Keep this assembly instruction for future reference. Adult assembly is required. The product is designed for residential use only. Customer Service Phone Number: 502-562-0000

| CODE | QTY | HARDWARE | |
|------|-----|--------------------------------|---|
| 1 | 8 | 1/4" x 35mm Allen Bolts |  |
| 2 | 8 | Φ6.5 Spring Washers |  |
| 3 | 4 | Φ6.5 x δ1.5 x φ13 Flat Washers |  |
| 4 | 4 | Φ6.5 x δ1.5 x φ16 Flat Washers |  |
| 5 | 1 | Allen Wrench |  |

| CODE | QTY | COMPONENTS | CODE | QTY | COMPONENTS |
|------|-----|--|------|-----|---|
| A | 1 | Top  | B | 1 | Bottom  |
| | | | C | 1 | Cushion  |

WARNING

- Do not let any sharp objects touch or rub the surface of the product.
- When assembling, do not let children play around the working area.
- Please confirm all parts are correct before starting the assembly process.
- Do not tighten all bolts and screws completely until the entire unit has been assembled and set up.
- Be careful if using power tools as they can over tighten screws and strip threads.



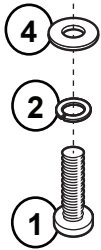
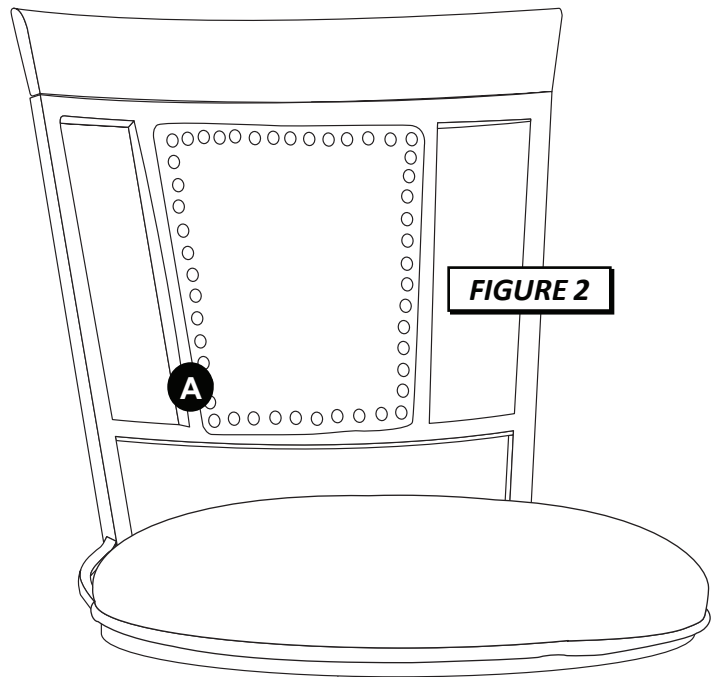
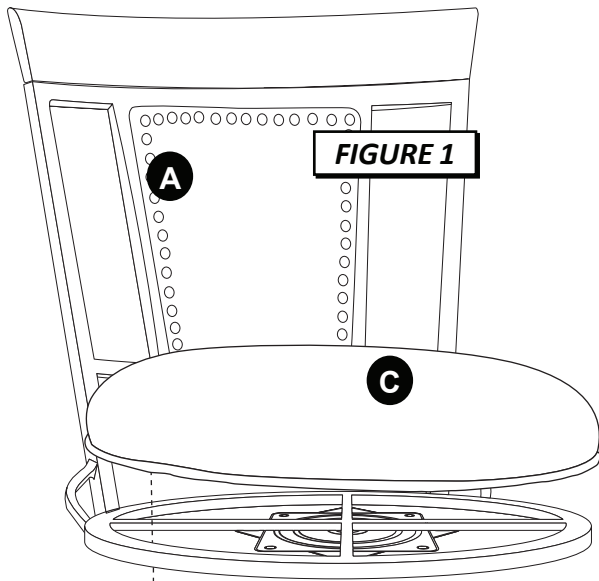
CARE & MAINTENANCE: The touch of a soft cloth is all the maintenance the finish will ever need. Please do not use harsh or abrasive cleaners for polishing, as they may cause damage to the finish. Periodic checks are recommended to make sure that all hardware is securely tightened.

Wood And Metal Swivel Counter Stool

Model #104822-131145 (4802-827C)

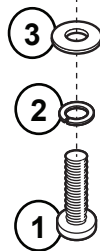
Date: 11-08-2018

Page 2 of 2



STEP 1 - Figure 1

Begin assembly by attaching Cushion using 4 Allen Bolts (1), 4 Spring Washers (2), and 4 Flat Washers (4).



STEP 2 - Figure 2

Attach Top (A) to Bottom (B) using 4 Allen Bolts (1), 4 Spring Washers (2), and 4 Flat Washers (3). Tighten all bolts using Allen Wrench (5) provided. The assembly is now complete.

