

Refrigerator

use & care

Introduction.....	2	Automatic Water Dispenser.....	21
Important Safety information.....	3	Ice Maker	22
Features (2-Door Model)	6	Storage Features.....	24
Features (3-Door Model)	7	Storing Food and Saving Energy.....	27
Installation	8	Normal Operating Sounds.....	28
Door Removal.....	10	Filter Replacement	29
Door Reversal	13	Care and Cleaning	32
Door Handle Installation (some models)	15	Troubleshooting	34
Water Supply Connection.....	16	Limited Warranty	37
Controls and Settings.....	18		

2

INTRODUCTION

Welcome to our **family**

Thank you for bringing Frigidaire into your home! We see your purchase as the beginning of a long relationship together.

This manual is your resource for the use and care of your product. Please read it before using your appliance. Keep it handy for quick reference. If something doesn't seem right, the troubleshooting section will help you with common issues.

FAQs, helpful tips and videos, cleaning products, and kitchen and home accessories are available at Frigidaire.com.

We are here for you! Visit our website, chat with an agent, or call us if you need help. We may be able to help you avoid a service visit. If you do need service, we can get that started for you.

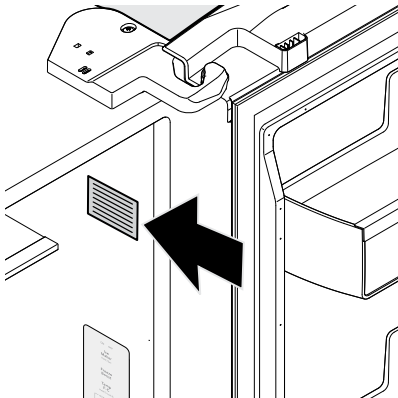
Let's make it official! Be sure to register your product.

Keep your product info here so it's easy to find.

Model Number _____

Serial Number _____

Purchase Date _____



Serial Number Location

Installation Checklist

Doors

- Handles are secure and tight
- Door seals completely to cabinet on all sides

Leveling

- Refrigerator is level side to side and slightly elevated in front to assist with door and drawer closing (front should be higher than back)
- Cabinet is set solid on all corners

Electrical Power

- House power is turned on
- Refrigerator is plugged in

Ice Maker

- House water supply is connected to refrigerator (**Warning:** Potable water supply only.)
- No water leaks are present at all connections - recheck in 24 hours
- Ice maker is turned ON

Final Checks


- Shipping material is removed
- Fresh food and freezer temperatures are set
- Registration card is sent in



WARNING

Please read all instructions before using this appliance.

Safety Definitions

 This is the safety alert symbol. It is used to alert of potential personal injury hazards. Obey all safety messages that follow this symbol to avoid possible injury or death.



DANGER

DANGER indicates an imminently hazardous situation which, if not avoided, will result in death or serious injury.



WARNING

WARNING indicates a potentially hazardous situation which, if not avoided, could result in death or serious injury.



CAUTION

CAUTION indicates a potentially hazardous situation which, if not avoided, may result in minor or moderate injury.



IMPORTANT

IMPORTANT indicates installation, operation or maintenance information which is important but not hazard-related.



DANGER



DANGER Risk of fire or explosion. Flammable refrigerant used. Do not use mechanical devices to defrost refrigerator. Do not puncture refrigerant tubing.

DANGER Risk of fire or explosion. Flammable refrigerant used. To be repaired only by trained service personnel. Use only manufacturer-authorized service parts. Any repair equipment used must be designed for flammable refrigerants. Follow all manufacturer repair instructions. Do not puncture refrigerant tubing.



CAUTION



CAUTION Risk of fire or explosion. Dispose of refrigerator properly in accordance with the applicable federal or local regulations. Flammable refrigerant used.

CAUTION Risk of fire or explosion due to puncture of refrigerant tubing. Follow handling instructions carefully. Flammable refrigerant used.



WARNING

CALIFORNIA RESIDENTS ONLY
Cancer and Reproductive Harm
www.P65Warnings.ca.gov

4

IMPORTANT SAFETY INFORMATION

Child Safety

This appliance is not intended for use by persons (including children) with reduced physical, sensory or mental capabilities, or lack of experience and knowledge, unless they have been given supervision or instruction concerning use of the appliance by a person responsible for their safety.

Destroy or recycle the carton, plastic bags, and any exterior wrapping material immediately after the refrigerator is unpacked. Children should **NEVER** use these items to play. Cartons covered with rugs, bedspreads, plastic sheets or stretch wrap may become airtight chambers, and can quickly cause suffocation.

Safety Instructions

- DO NOT store or use gasoline, or other flammable liquid within or in the vicinity of this appliance. Read Product Label for warnings regarding flammability and other hazards.
- DO NOT store explosive substances such as aerosol cans with a flammable propellant in this appliance.
- DO NOT operate the refrigerator in the presence of explosive fumes.
- Avoid contact with any moving parts of automatic ice maker.
- Remove all staples from the carton. Staples can cause severe cuts, and also destroy finishes if they come in contact with other appliances or furniture.



WARNING

Do not use electrical appliances inside the food storage compartments of the appliance unless they are of the type recommended by the manufacturer.

Proper Disposal of your Appliance

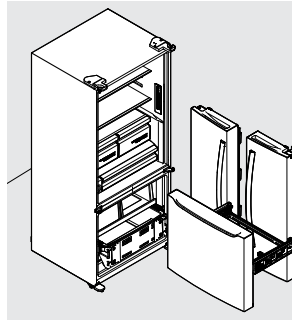
Risk of child entrapment

Child entrapment and suffocation are not problems of the past. Junked or abandoned appliances are still dangerous – even if they will sit for “just a few days”. If you are getting rid of your old appliance, please follow the instructions below to help prevent accidents.

We strongly encourage responsible appliance recycling/disposal methods. Check with your utility company or visit energystar.gov/products/recycle for more information on recycling your old appliance.

Before you throw away your old appliance:

- Remove doors.
- Leave shelves in place so children may not easily climb inside.
- Have refrigerant removed by a qualified service technician.



IMPORTANT

CFC/HCFC Disposal

Your old appliance may have a cooling system that used CFCs or HCFCs (chlorofluorocarbons or hydrochlorofluorocarbons). CFCs and HCFCs are believed to harm stratospheric ozone if released to the atmosphere. Other refrigerants may also cause harm to the environment if released to the atmosphere.

If you are throwing away your old appliance, make sure the refrigerant is removed for proper disposal by a qualified technician. If you intentionally release refrigerant, you may be subject to fines and imprisonment under provisions of environmental legislation.



WARNING

These guidelines must be followed to ensure that safety mechanisms in this appliance will operate properly.



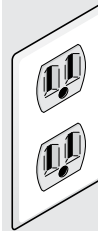
IMPORTANT

To turn off power to your appliance you must unplug the power cord from the electrical outlet.

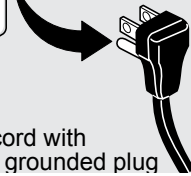
Electrical information

- Plug the appliance into its own dedicated 115 Volt, 60 Hz., 15 Amp, AC only electrical outlet. The power cord of the appliance is equipped with a 3-prong grounding plug for your protection against electrical shock hazards. Plug it directly into a properly grounded 3-prong receptacle. Install the receptacle in accordance with local codes and ordinances. Consult a qualified electrician. Avoid connecting the appliance to a Ground Fault Interrupter (GFI) circuit. Do not use an extension cord or adapter plug.
- If the power cord is damaged, an authorized service technician should replace it to prevent any risk.
- Never unplug the appliance by pulling on the power cord. Always grip the plug firmly, and pull straight out from the receptacle to prevent damaging the power cord.
- Unplug the appliance before cleaning to avoid electrical shock.
- Performance may be affected if the voltage varies by 10% or more. Operating the appliance with insufficient power can damage the compressor. Such damage is not covered under your warranty.
- Do not plug the unit into an electrical outlet controlled by a wall switch or pull cord to prevent the appliance from being turned off accidentally.

Grounding type wall receptacle



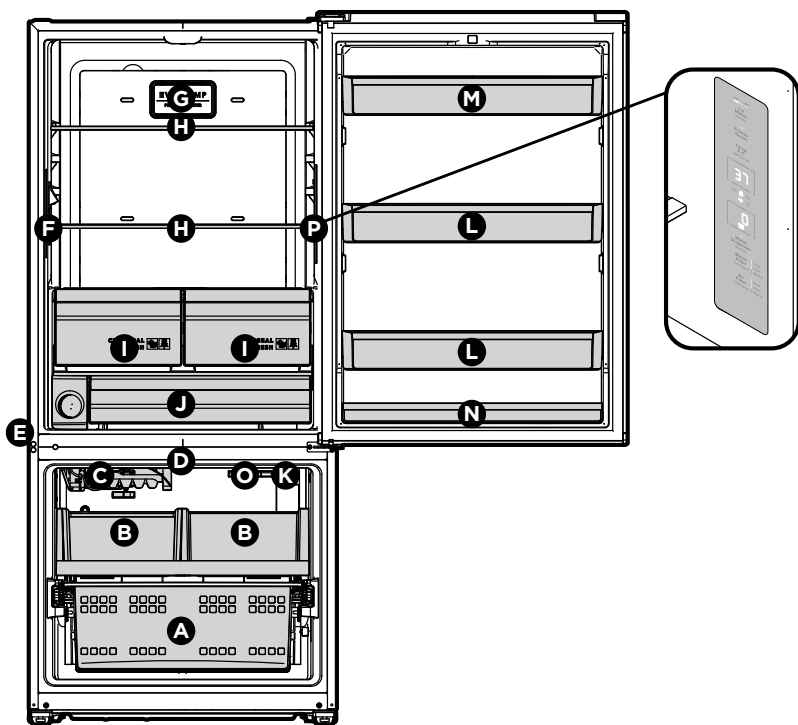
Do not, under any circumstances, cut, remove, or bypass the grounding prong.



Power cord with 3-prong grounded plug

6

FEATURES (2-DOOR MODEL)



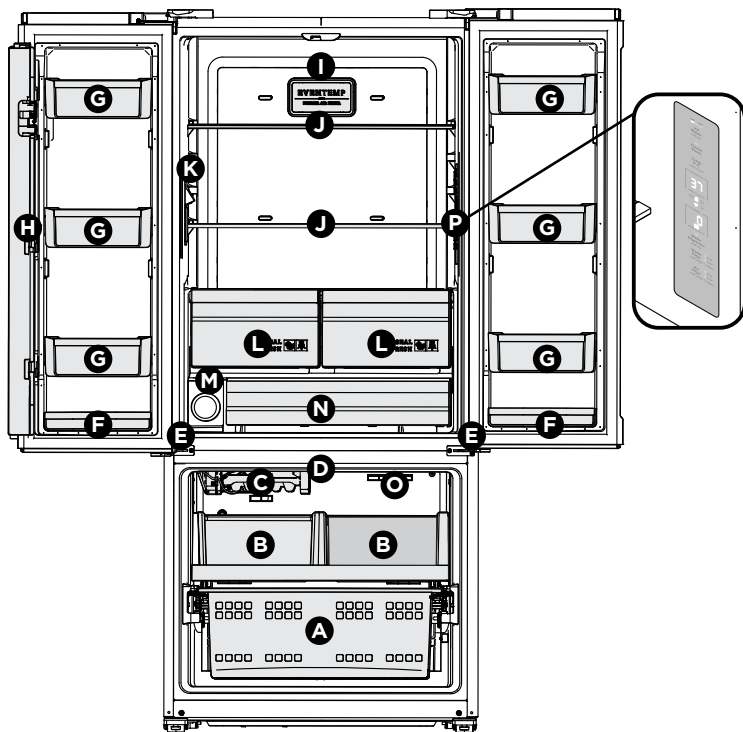
A	Lower Freezer Basket
B	Ice Bin/Upper Freezer Basket
C	Ice Maker
D	Center Mullion
E	PurePour Water Filter
F	Internal Water Dispenser
G	PureAir Air Filter
H	Spillsafe® Shelves

I	CrispSeal® Fresh Crispers with Auto Humidity
J	Deli Drawer
K	Door Hinges
L	Gallon Door Bins
M	2-Liter Door Bin
N	Strap Bin
O	Freezer Light
P	Appliance Control Display



IMPORTANT

Accessories are available for your appliance and may be purchased at Frigidaire.com or by calling 1-800-374-4432 (Frigidaire.ca or 1-800-265-8352 in Canada) or from an authorized seller.



A	Lower Freezer Basket
B	Ice Bin/Upper Freezer Basket
C	Ice Maker
D	Center Mullion
E	Door Hinges
F	Strap Bins
G	Gallon Door Bins
H	Flipper Mullion

I	PureAir Air Filter
J	Spillsafe® Shelves
K	Internal Water Dispenser
L	CrispSeal® Fresh Crispers with Auto Humidity
M	PurePour Water Filter
N	Deli Drawer
O	Freezer Light
P	Appliance Control Display



IMPORTANT

Accessories are available for your appliance and may be purchased at Frigidaire.com or by calling 1-800-374-4432 (Frigidaire.ca or 1-800-265-8352 in Canada) or from an authorized seller.

8

INSTALLATION

This Use & Care Manual provides general installation and operating instructions for this model. We recommend using a service or kitchen contracting professional to install the refrigerator. Use the appliance only as instructed in this Use & Care Manual. **Before starting the appliance, follow these important first steps.**

Location

- Choose a place near a grounded, non-GFCI, electrical outlet. **Do Not** use an extension cord or an adapter plug.
- If possible, place the appliance out of direct sunlight and away from the range, dishwasher, or other heat sources.
- Install the appliance on a floor level and strong enough to support a fully loaded appliance.
- Consider water supply availability for models equipped with an automatic ice maker.



WARNING

This appliance is intended for use in residential household and similar interior applications such as:

- Kitchen / Kitchenette
- Pantry Room
- Basement
- Enclosed Garage
- Other interior residential-type environments



CAUTION

Do Not install the appliance where the temperature will drop below 55°F (13°C) or rise above 110°F (43°C). The compressor will not be able to maintain proper temperatures inside the appliance.



WARNING

Installation

Allow the following clearances for ease of installation, proper air circulation, and plumbing and electrical connections:

Sides	1.57 in. (40 mm)
Back	1.97 in. (50 mm)
Top	3.54 in. (90 mm)



NOTE

If you place your appliance with the door hinge side against a wall, you may have to allow additional space for the handle so you can open the door wider.

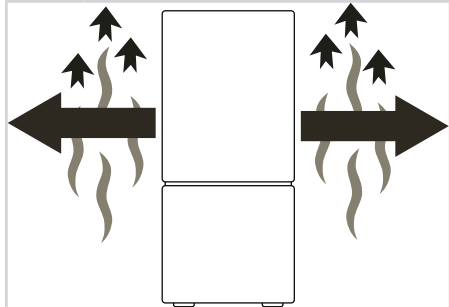
Door opening

Position the appliance to allow easy access to a counter when removing food. For best use of refrigerator drawers and freezer baskets, position the appliance where both can open fully.



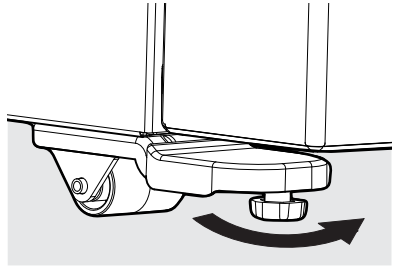
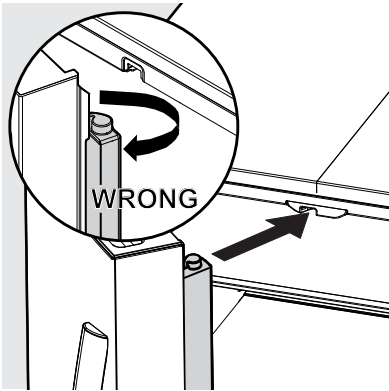
CAUTION

The sides of the refrigerator are warm surfaces. The warmth felt on the left and right sides of the fridge is normal for this cooling technology.



Flipper Mullion (some models)

Adjust the flipper mullion for proper connection with the mullion guide by ensuring the flipper mullion is folded and perpendicular to the fresh food door. If the mullion guide is not in the correct position, it could prevent the door from closing completely.



3. Ensure both doors are bind-free with their seals touching the cabinet on all 4 sides and the cabinet is stable.
4. After you level the unit, lower the anti-tip leg until it firmly contacts the floor. You may need to use an adjustable wrench for adjustment.

Cabinet Leveling / 3-Door Model Door Alignment (if necessary)

Guidelines for final positioning of refrigerator:

- Rest all 4 corners of the cabinet firmly on the floor.
- Slightly elevate the front to ensure doors close and seal properly.
- Align and level the doors with each other.

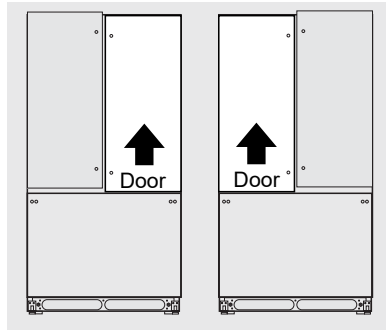
You can meet most of these conditions by raising or lowering the adjustable front rollers.

To level the cabinet using the front rollers:

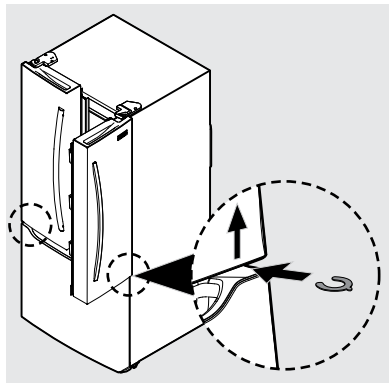
1. Slightly open freezer drawer to reveal adjustable rollers at bottom of cabinet.
2. Make initial cabinet adjustments by using the front roller height adjusting screws. Use a $\frac{3}{8}$ " socket wrench to turn the adjustment screws (1 per side).

To raise unit: turn the adjustment screw clockwise.

To lower unit: turn adjustment screw counterclockwise.

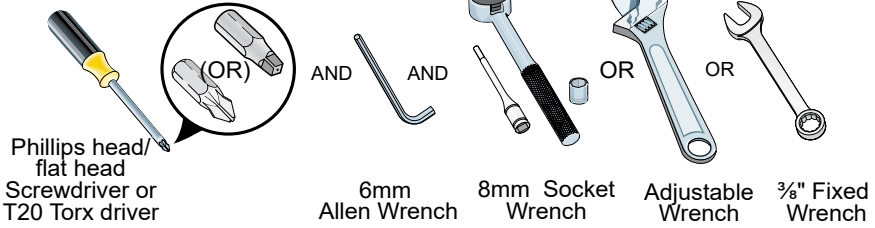


If the doors are not aligned, lift the lower door up and insert the washer (two are included in the plastic bag in the Crisper) on the center hinge pin. This will raise the door to be aligned with the other door.



10 DOOR REMOVAL

Tools Necessary:



Getting Through Narrow Spaces

If the refrigerator will not fit through an entrance area, you can remove the doors. Check first by measuring the entrance.

To prepare for removing the door(s):

1. Unplug the electrical power cord from the wall outlet.
2. Remove any food from the shelves and door bins and close the door.

To remove the refrigerator door(s):

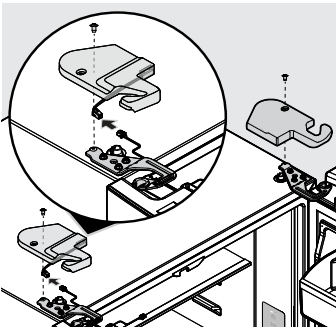
1. Open the door(s) to 90°.
2. Trace lightly around the door's top hinges with a pencil. This makes reinstallation easier.

NOTE

* We do not recommend to using an electric tool to unscrew and screw parts because it may damage the screw threads or cause screw heads to be stripped off.

For the 3-door model only:

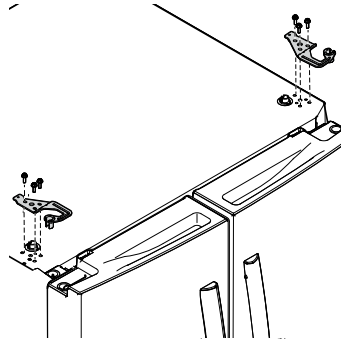
1. Remove the screw from the top hinge cover, and disconnect the electrical harness running from the door to the hinge cover.



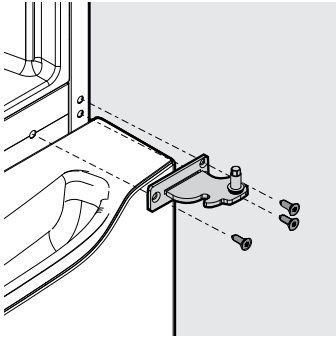
CAUTION

Place the doors aside in a secure position where they cannot fall and cause personal injury or damage to the doors or handles.

2. With the doors closed, remove the three 8 mm screws from the top hinges. Leave the hinges attached to the doors. Lift the doors up off the center hinge pins, and carefully set aside.



3. If the center hinge is still preventing access through the entryway, open the bottom drawer and remove the center hinge pin using an adjustable wrench and set it aside. Remove the center hinge by unscrewing the 3 center hinge screws.



Center Hinge Removal

**IMPORTANT**

When reinstalling the hinge pin, be sure to securely tighten the pin to the hinge.

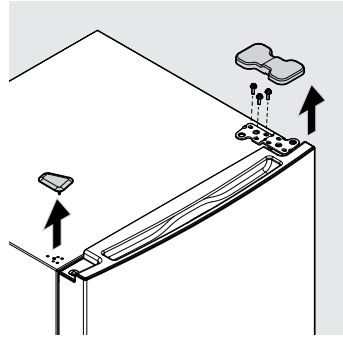
4. Go to **Removing the Freezer Drawer**.
5. To reinstall the doors, reverse the procedure.

**CAUTION**

The door is heavy. We recommend two people to remove or replace the door assembly from the cabinet.

For the 2-door model only:

1. With the door closed, use a plastic putty knife to remove the left hand top hinge cover. Then, unsnap the right hand top hinge cover and set both aside. Remove the three 8 mm screws from the top hinge.



2. Open the refrigerator door, and lift the door off of center hinge pin. Set the door aside.
3. If the center hinge is still preventing access through the entryway, open the bottom drawer and remove the center hinge pin using an adjustable wrench and set aside. Remove the center hinge by unscrewing the three center hinge screws.

**CAUTION**

Place the doors on a padded surface to avoid damage where they cannot fall and cause personal injury.

4. Go to **Removing the Freezer Drawer**.
5. To reinstall the door, reverse the procedure.

12 DOOR REMOVAL

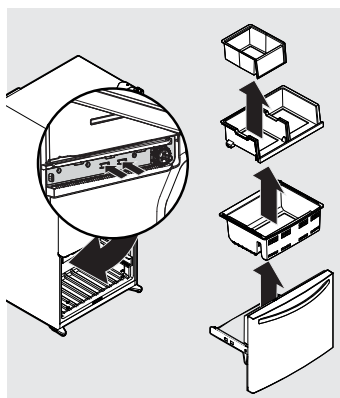
Removing the Freezer Drawer



CAUTION

Drawer is heavy. Use caution when lifting.

1. Open the drawer and fully extend it.
2. Remove the freezer bins and basket.
3. Inside the cabinet, press the 2 tabs on both sides to release the sliders.
4. Remove the drawer with brackets and sliders.



Reinstalling the Freezer Drawer

1. Place the drawer with brackets and sliders inside the cabinet and click into place.
2. Replace the basket and bins.



IMPORTANT

Once the door(s) is/are in place, ensure it/they is/are aligned and level (See **INSTALLATION** for more details), and replace the top hinge cover.

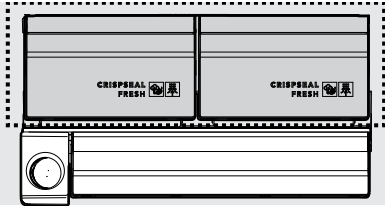


NOTE

For additional instructions, see **STORAGE FEATURES**.

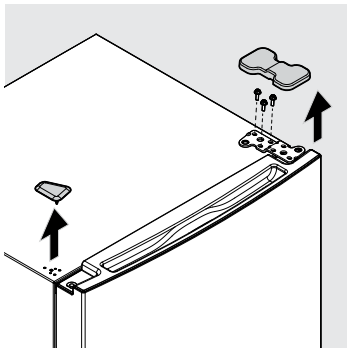
For the 2-door model only:**NOTE**

For the following steps, find replacement parts in the plastic bags located in the Crispers.

**CAUTION**

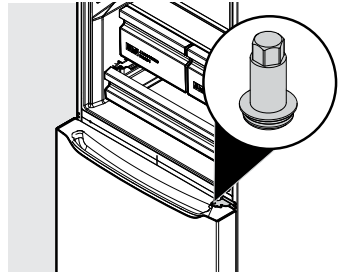
The door is heavy. We recommend two people to remove or replace the door assembly from the cabinet.

1. With the door closed, use a plastic putty knife to remove the left hand top hinge cover. Then, unsnap the right hand top hinge cover and set both aside. Remove the three 8 mm screws from the top hinge. Carefully remove the door from the unit and set aside.

**CAUTION**

Place the doors on a padded surface to avoid damage where they cannot fall and cause personal injury.

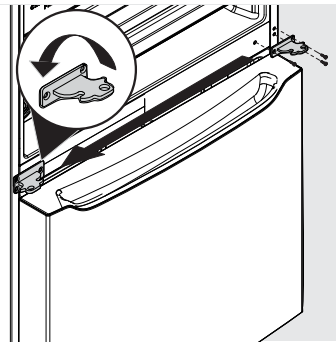
2. Unscrew the center hinge pin using an adjustable wrench and set it aside.

**Center Hinge Pin**

3. Using the putty knife remove the three plastic plugs on the center left hand side.

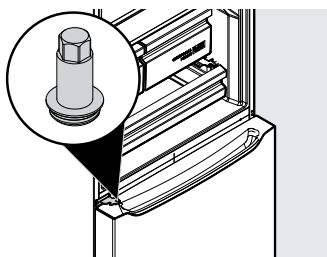
**Remove Plastic Plugs**

4. Open the freezer drawer to prevent damaging the unit while you remove the center hinge. Using a T20 Torx driver, remove the three screws from the center hinge. Flip the center hinge over and install it on the left side of the unit.

**Center Hinge**

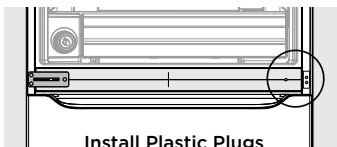
14 DOOR REVERSAL

5. Screw in and fully tighten the center hinge pin using an adjustable wrench.



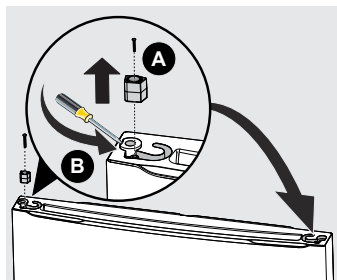
Center Hinge Pin

6. Locate the three new plastic plugs in the bag in the Crisper, and install them on the center right hand side.



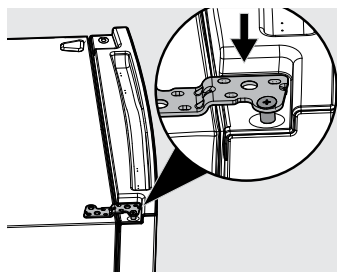
Install Plastic Plugs

7. A. Flip the refrigerator door over and remove the screw from the auto-closer hook using a Phillips head screwdriver and set it aside.
B. Pry out the hinge bearing from the door with a flat head screwdriver.
C. Install the bottom hinge bearing on the opposite side of the door. Flip the auto-closer hook over. Using the Phillips head screwdriver, screw in the auto-closer and fully tighten.

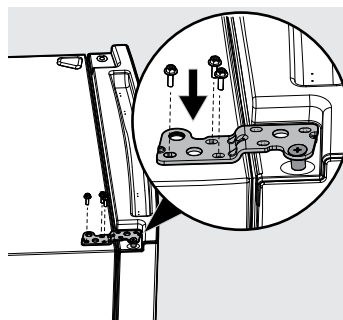


8. Remove the left side top hinge from the bag in the Crisper.

9. Lower the refrigerator door onto the center hinge pin at a 90 degree angle, and then close the door. Apply the silicon grease from the bag in the Crisper inside the bushing on the door for the top hinge.

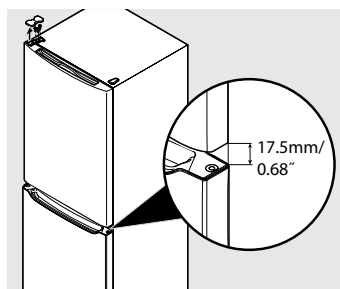


Align the holes of the top hinge with the cabinet holes and reinsert the three 8 mm screws. Do not fully tighten the screws.



Top Hinge

10. Ensure the door has **approximately 0.68 in. (17.5 mm)** between the refrigerator door and freezer drawer. Once level, securely tighten the hinge screws. Replace the top hinge covers.



Level the Door

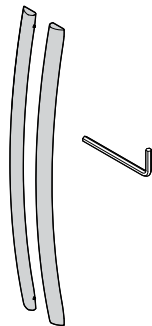
11. Reconnect the electrical power cord to the wall outlet.



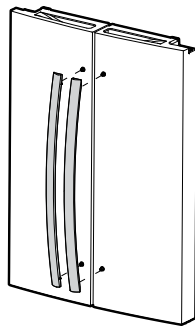
CAUTION

Wear gloves and safety goggles. Use extreme CAUTION when installing these handles.

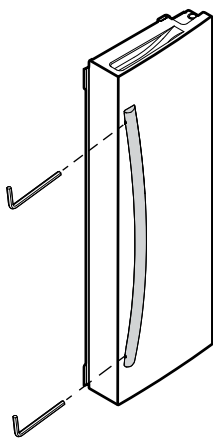
Handle Installation Instructions



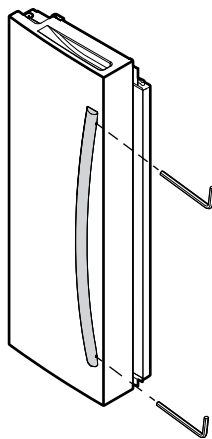
Part quantities vary per model.



1. Position the handles over the handle mounts, ensuring the holes for the Allen set screws are facing toward the opposite door.



2. Turn the Allen set screw on the top of the handle clockwise with the Allen wrench, tightening to secure the handle onto the door. Repeat for the bottom of the handle.



3. Repeat Steps 1 and 2 for the opposite door (if applicable).



NOTE

When tightening the Allen set screws, it is imperative to apply force to the longer arm of the Allen wrench.



NOTE

Tighten all set screws so the screw is below the surface of the handle. Draw the handles tight to doors with no gaps. Opening the opposite door while tightening the Allen screw makes installation easier.

The door handles may loosen over time or if you installed them improperly. If this happens, tighten the set screws on the handles.

16

WATER SUPPLY CONNECTION



WARNING

To avoid electric shock, which can cause death or severe personal injury, disconnect the refrigerator from electrical power before connecting a water supply line to the refrigerator.



CAUTION

To Avoid Property Damage:

- Use copper or stainless steel braided tubing for the water supply line. Do not use water supply tubing made of ¼ in. plastic. Plastic tubing greatly increases the potential for water leaks, and the manufacturer will not be responsible for any damage if you use plastic tubing for the supply line.
- DO NOT install water supply tubing in areas where temperatures fall below freezing.
- Chemicals from a malfunctioning water softener can damage the ice maker. If you use a water softening system, ensure the softener is maintained and working properly.



IMPORTANT

Ensure the water supply line connections comply with all local plumbing codes.

To install the water supply line, you will need the following:

- Basic Tools: adjustable wrench, flathead screwdriver, and Phillips™ screwdriver
- Access to a household cold water line with water pressure between 30 and 100 psi.
- A water supply line made of ¼ in. (6.4 mm) OD, copper or stainless steel tubing. To determine the length of tubing needed, measure the distance from the ice maker inlet valve at the back of the refrigerator to the cold water pipe. Then add approximately 6 ft. (1.8 m.), so you can move the refrigerator out for cleaning.
- A shutoff valve to connect the water supply line to the household water system. DO NOT use a self-piercing type shutoff valve.
- Do not reuse compression fitting or use thread seal tape.
- A compression nut and ferrule (sleeve) for connecting a copper water supply line to the ice maker inlet valve.

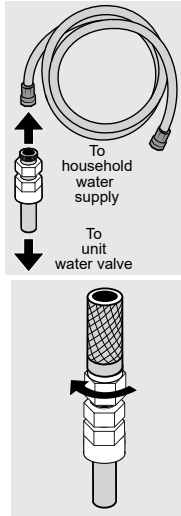


NOTE

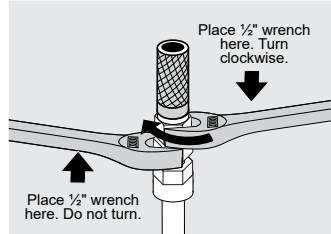
Check with the local building authority for recommendations on water lines and associated materials prior to installing the refrigerator. Depending on local/state building codes, we recommend you use **Smart Choice®** water line kit 5304437642 with a 6 ft. (1.8 m.) stainless steel water line on homes with existing valves. Please refer to Frigidaire.com for more information.

To Connect the Water Tube to the Household Water Supply

1. Disconnect the refrigerator from the electrical power source.
2. Place the end of the water supply line into a sink or a bucket. Turn ON the water supply and flush the supply line until water is clear. Turn OFF the water supply at the shutoff valve.
3. Open the locking clips and grab the water line coming from the refrigerator. Remove the plastic cap from the water inlet fitting and discard the cap.
4. If you are using stainless steel braided tubing (recommended) - the nut and ferrule are already assembled on the tubing. Slide the compression nut onto the water inlet fitting and finger tighten.



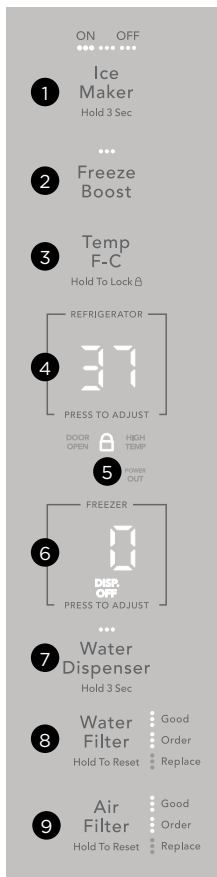
5. Using two ½ in. wrenches (one to hold the household water line nut and the other to hold the water inlet fitting nut), tighten a half turn with a wrench. DO NOT overtighten.
6. Replace the connected tubes into the clips and lock the clips back in place to keep the tubing in the right position.



7. Turn ON the water supply at the shutoff valve and tighten any connections that leak.
8. Reconnect the refrigerator to the electrical power source.
9. Ensure the ice maker is turned ON.
10. Purge air from the ice and water dispenser system by operating the water dispenser for 3-4 minutes. This will require dispensing several glasses of water.

18 CONTROLS AND SETTINGS

Appliance Control Display

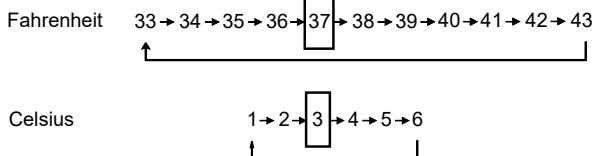


1 Ice Maker Press and hold for 3 seconds to turn the ice maker on/off.

2 Freeze Boost Prior to grocery shopping we recommend you activate **Freeze Boost** to freeze your food faster. It remains active for up to 12 hours before automatically deactivating or you manually exit. Press **Freeze Boost** to turn the function off. This resets the freezer to the previous temperature setting.

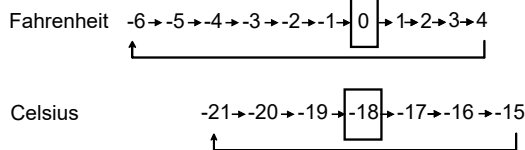
3 Temp F-C Press to toggle from Fahrenheit to Celsius.

4 REFRIGERATOR Press to adjust the refrigerator temperature. With each press, the temperature increases and cycles in a loop as shown below. Temperatures range from 33°F / 1°C to 43°F / 6°C.



5 Press and hold **Temp F-C** for 3 seconds to lock the control display. While locked, you cannot make any changes to the control display until you unlock it. Press and hold **Temp F-C** for 3 seconds to disable it.

6 FREEZER Press to adjust the freezer temperature. With each press, the temperature increases and cycles in a loop as shown below. Temperatures range from -6°F / -21°C to 4°F / -15°C.



NOTE

The recommended settings for a product installed in a kitchen is 37°F for the fresh food compartment and 0°F for the freezer. It takes up to 24 hours for temperatures to stabilize after adjusting.

7 Water Dispenser illuminates when the internal water dispenser is ON. Press the water dispenser paddle inside the cabinet to dispense water. Turn the dispenser off by pressing and holding **Water Dispenser** for 3 seconds. When the water dispenser is off, the display shows **DISP OFF**, and you cannot dispense water

8 Water Filter The display shows the current status of the water filter (**Good**, **Order**, or **Replace**). Replace the water filter when the indicator illuminates **Replace**. Change the water filter every 6 months. To reset the filter status to **Good**, press and hold **Water Filter** for 3 seconds.

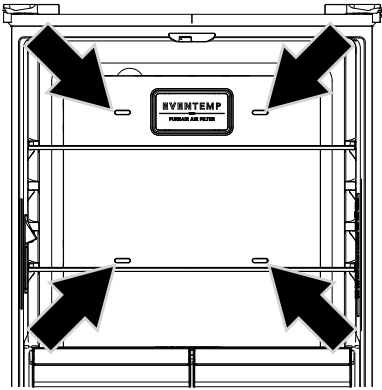
9 Air Filter The display shows the current status of the air filter (**Good**, **Order**, or **Replace**). Replace the air filter when the indicator illuminates **Replace**. Change the air filter every 6 months. To reset the filter status to **Good**, press and hold **Air Filter** for 3 seconds.

**IMPORTANT**

If food is freezing in the fresh food compartment, increase the temperature setting 1 or 2 degrees.

**IMPORTANT**

Food placed within 1" in front of the air ports may cause food to freeze.

**NOTE**

The unit should stabilize temperatures within 24 hours of installation.

Alarms**DOOR OPEN**

If you leave a door open for 5 minutes or more, an alarm sounds and the **DOOR OPEN** indicator illuminates on the control display. Turn the alarm off by closing the door or pressing any key. The control display returns to normal operations after you close the door.

HIGH TEMP

In the event of a high temperature condition the red **HIGH TEMP** LED illuminates, and an alarm sounds. Also, the refrigerator or freezer compartment where you detect the high temperature displays **HI**, and the alarm sounds every 10 seconds until acknowledged. Touch any key or open a door to silence the alarm.

POWER OUT

In the event of a power outage, the **POWER OUT** alert illuminates to inform you of a power interruption. Once power is restored and a tone sounds, press any button to silence the tone.

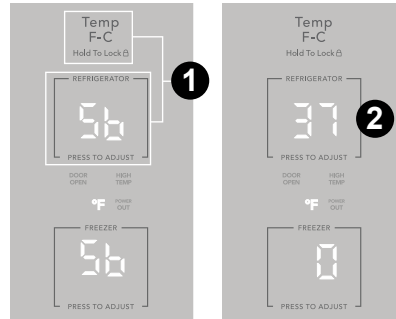
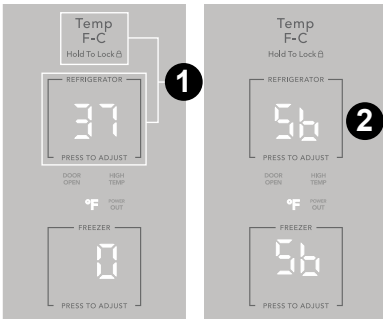
Sabbath Mode

The Sabbath Mode is a feature that disables portions of the refrigerator and its controls in accordance with observance of the weekly Sabbath and religious holidays within the Orthodox Jewish community.

In the Sabbath Mode, the High Temp alarm is active for health reasons. For example, if you leave the door ajar the High Temp alarm is activated. The refrigerator will function normally once you close the door, without any violation of the Sabbath/Holidays. The High Temp alarm is permitted when the cabinet temperature is outside the safe zone for 20 minutes. The alarm silences itself after 10 minutes while the High Temp icon stays lit until you exit the Sabbath mode.

To activate Sabbath Mode, press and hold **Temp F-C** and **REFRIGERATOR** simultaneously for 5 seconds. **Sb** displays, and no audible sounds will occur until you exit Sabbath Mode.

To exit Sabbath Mode, press and hold **Temp F-C** and **REFRIGERATOR** simultaneously for 5 seconds. An audible tone sounds, and the refrigerator will go back to the state it was in prior to activating Sabbath Mode.



For further assistance, guidelines for proper usage and a complete list of models with the Sabbath feature, please visit the web at star-k.org.

NOTE

While in Sabbath Mode, neither the lights nor the control display will work until Sabbath Mode is deactivated.

The refrigerator stays in Sabbath Mode after power failure recovery. Deactivated it with the buttons on the control display.

NOTE

Although you may have initiated the Sabbath Mode, the ice maker will complete the cycle it had already started. The ice cube compartment will remain cold and you can make new ice cubes with standard trays.

The Internal water dispenser is mounted inside the cabinet, along the left-hand cabinet wall.

Before using the water dispenser for the first time or after changing the water filter, you must prime your water supply system.

Priming the water supply system



CAUTION

For proper dispenser operation, the recommended water supply pressure should fall between 30 psi and 100 psi. Excessive pressure may cause the system to malfunction.

Using the dispenser after installation:

If you do not flush the system, the first glass of water may be discolored or have an odd flavor.

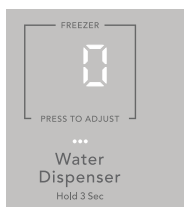
1. Before dispensing, please ensure you enable **Water Dispenser** on the appliance control display (LEDs above the button are illuminated).
2. Begin filling the system by pressing and holding a drinking glass against the water dispenser paddle.
3. Keep the glass in this position until the water comes out of the dispenser. It may take up to 4 minutes to purge air from the system.
4. Continue dispensing at least 1 full gallon (3.78 L) of water, stopping to empty the glass as necessary.

If the water dispenser function becomes disabled, enable the water dispenser by pressing and holding **Water Dispenser** on the appliance control display. When the water dispenser is turned on, the LEDs above **Water Dispenser** are illuminated.

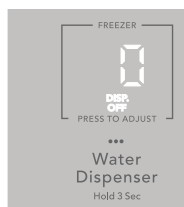


NOTE

If you prefer to keep the internal water dispenser disabled, use the appliance control display to disable it. The LEDs will not be illuminated above **Water Dispenser**.

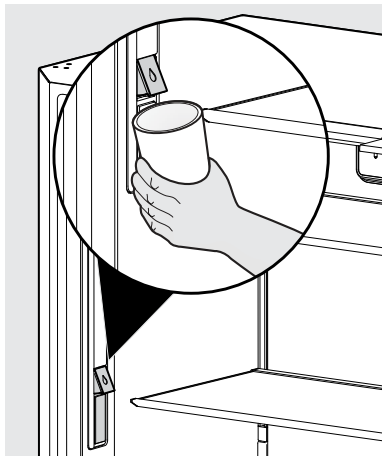


Water Dispenser On



Water Dispenser Off

Place a cup against the paddle and press to dispense water.



**CAUTION**

If the water supply to the refrigerator is softened, be sure the softener is properly maintained. Chemicals from a water softener can damage the ice maker.

Your appliance has an automatic ice maker that will provide a sufficient supply of ice for normal use. **The unit will not produce ice during the first 24 hours of initial operation.**

Turning Your Ice Maker On

After you have completed connecting the plumbing, you must open the water supply valve. To turn the ice maker on, press **ICE MAKER** on the appliance control display until the LEDs above **ICE MAKER** illuminate. New plumbing connections may cause the first production of ice cubes to be discolored or have an odd flavor. Discard these first cubes until the cubes produced are free of discoloration and taste.

Turning Your Ice Maker Off

To turn the ice maker off, press **ICE MAKER** on the appliance control display until the LEDs above **ICE MAKER** turn off. Separately, the ice maker automatically stops producing ice when the bin is full, and then restarts when the level of ice drops. Note that when the ice maker is turned Off on the appliance control display, the ice maker will not produce ice at all.

Ice Maker Tips

- If you turn the ice maker for a long period of time, turn the water supply valve to the closed position.
- Ice cubes stored too long may develop an odd flavor. Empty the ice bin. The ice maker will then produce more ice.
- Occasionally shake the ice bin to keep ice separated.
- Keep the ice maker off until the ice maker is connected to the water supply or whenever the water supply is turned off.
- The following sounds are normal when the ice maker is operating:
 - Motor running
 - Ice loosening from tray
 - Ice dropping into ice container
 - Running water
 - Water valve opening or closing

**IMPORTANT**

To ensure proper function of your ice maker, hook up the water supply immediately or turn the ice maker off (see **WATER SUPPLY CONNECTION**).

**CAUTION**

- **DO NOT** place the ice bin in the dishwasher.
- Wash the ice bin in warm water with mild detergent. Rinse well and dry.
- Turn off the ice maker when cleaning the freezer and during vacations.

Ice Maker Storage Bin

Capacity

The ice maker should produce about 3.5 lbs of ice per 24 hours, depending on conditions of use.

How much ice can be stored in the ice bins?

When completely full, the bins will hold about 8 lbs of ice.

Remove and empty the ice bin if:

An extended power failure (one hour or longer) causes ice cubes in the ice bin to melt and refreeze together after power is restored.

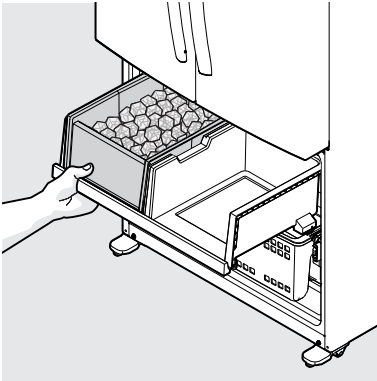
Remove the ice bin by (1) lifting upward and (2) pulling straight out, and then shake to loosen the cubes or clean as explained above.



CAUTION

NEVER use an ice pick or similar sharp instrument to break up the ice. This could damage the ice bin.

To loosen stuck ice, use warm water. Before replacing the ice bin, make sure it is completely dry.



Removing Ice Bin

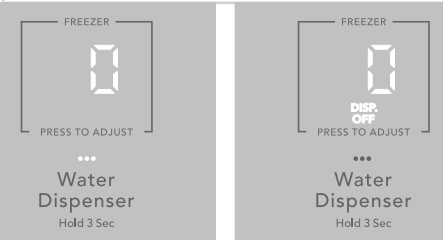
24 STORAGE FEATURES

Glass shelves



CAUTION

When removing the shelf, disable **Water Dispenser** on the appliance control display to avoid water spillage.



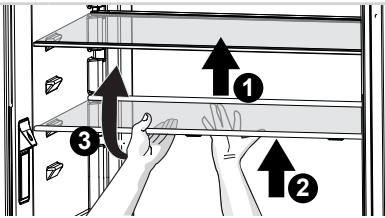
Dispenser on

Dispenser off



CAUTION

When you move the shelf, be sure to avoid hitting the dispenser cover.



CAUTION

To avoid personal injury or property damage, handle tempered glass shelves carefully. Shelves may break suddenly if nicked, scratched, or exposed to sudden temperature change. Allow the glass shelves to stabilize to room temperature before cleaning. Do not wash in the dishwasher.

You can easily adjust shelf positions in the fresh food compartments as needed. The shelves have mounting brackets that attach to slotted supports at the rear of each compartment.

Change the Position of a Shelf

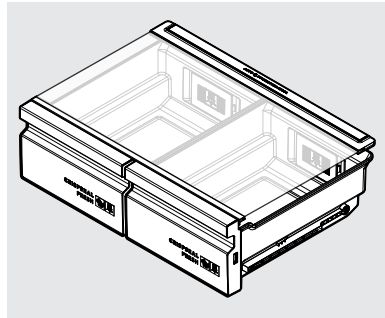
1. Remove all food from the shelf.
2. Lift the front edge up and pull the shelf out.
3. Replace by inserting the mounting bracket hooks into the desired support slots.
4. Lower the shelf and lock it into position.

Drawers

The refrigerator includes a variety of storage drawers.

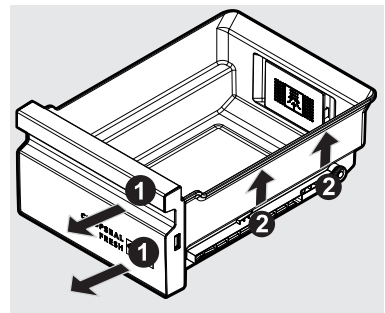
Auto CrispSeal Drawer

Crispers are designed for storing fruits, vegetables, and other fresh produce. Crispers have an auto humidity control at the rear of each crisper under the humidity control cover.



To remove the CrispSeal drawer for cleaning:

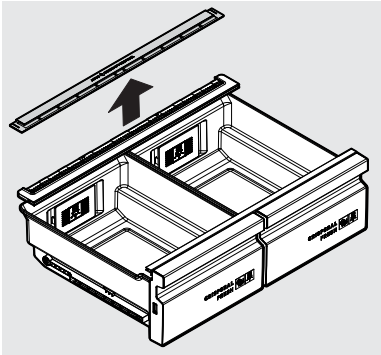
1. Pull the drawer out until it stops.
2. Lift the front slightly and remove the drawer.



Removing CrispSeal Drawer

To remove the auto humidity control membrane for cleaning:

1. Reach to the back of humidity control cover.
2. Place fingers between the humidity control and the back wall; pull up on cover.
3. Pull the cover toward the front of the cabinet and remove it.
4. Remove the humidity membrane from the housing by lifting it up and sliding it over.
5. Clean the humidity membrane with hot soapy water. Thoroughly dry it before replacing.
6. Replace the membrane in the housing and unit by reversing the steps above.



Removing Auto Humidity Control Membrane



NOTE

We do not recommend replacing the auto-humidity membrane unless it becomes damaged or ruined. If the membrane becomes soiled, you can wash it with soap and water. Ensure the membrane is dry before replacing it in the unit.

Doors

Storage bins

The doors to the fresh food storage compartment use a system of modular storage bins. You can remove all of these bins for easy cleaning. Adjust the bins as needed.

Door bins are ideal for storing jars, bottles, cans, and large drink containers. They also allow quick selection of frequently used items.

Adjustable door bins (varies by model)

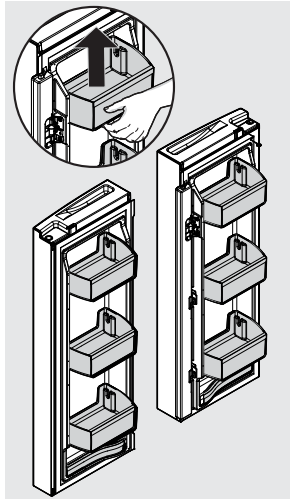
You can move adjustable door bins to suit individual needs.

To move door bin side to side:

1. Tilt the bin up so the back of the bin is off the door but the hook is still engaged.
2. Slide the bin along the rail to the desired position.
3. Lower bin back into place.

To move door bin up or down:

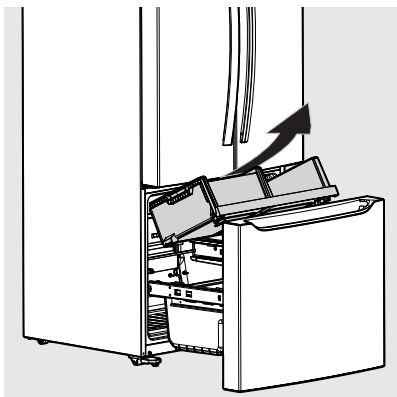
1. Lift the bin up disengaging the hook.
2. Move the bin to the desired rail location.
3. Push the bin hook into the rail engaging the hook.



Adjustable Door Bins

26 STORAGE FEATURES

Freezer Features



Freezer Drawer

To remove the upper freezer drawer:

1. Open the freezer compartment completely.
2. Lift it up and out to remove the upper freezer drawer.

Reverse the steps to reinstall the drawer.



IMPORTANT

Make sure all wheels on the bottom of the drawer are aligned on their respective tracks for proper function. If drawer is not aligned properly, it will cause problems with the door operation.



NOTE

If the basket is not resting on the stabilizer bar retainer clips, the drawer will not close properly.

To remove freezer basket:

1. Open the freezer compartment completely.
2. Lift the basket up and remove it.

Reverse the steps to reinstall the freezer basket.

Ideas for storing foods

Fresh food storage

- Keep the fresh food compartment between 34°F and 44°F with an optimum temperature of 37°F.
- Avoid overcrowding the refrigerator shelves, which reduces air circulation and causes uneven cooling.
- Avoid placing food in front of air ports. (See **CONTROLS AND SETTINGS** for illustration.)

Fruits and vegetables

- Store fruits and vegetables in crispers, where trapped moisture helps preserve food quality for longer time periods.
- Do not wash items until ready to use. Remove excess water before placing them inside the unit.
- Wrap any items with strong odors or high moisture content.

Meat

Wrap raw meat and poultry separately and securely to prevent leaks and contamination of other foods or surfaces.

Frozen food storage

- Keep the freezer compartment at 0°F or lower.
- A freezer operates most efficiently when it is at least $\frac{2}{3}$ full.

Packaging foods for freezing

- To minimize food dehydration and quality deterioration, use aluminum foil, freezer wrap, freezer bags, or airtight containers. Force as much air out of the packages as possible and seal them tightly. Trapped air can cause food to dry out, change color, and develop an “off” flavor (freezer burn).
- Wrap fresh meats and poultry with suitable freezer wrap prior to freezing.
- Do not refreeze completely thawed meat.

Loading the freezer

- Prior to grocery shopping, we recommend you activate **Freeze Boost** to freeze your food faster. It will remain active for up to 24 hours.

- Activating **Freeze Boost** will help the freezer more efficiently maintain the selected temperature after placing new purchases with pre-existing frozen foods.
- Avoid adding too much warm food to the freezer at one time. This overloads the freezer, slows the rate of freezing, and can raise the temperature of frozen foods.
- Leave a space between packages, so cold air can circulate freely, allowing food to freeze as quickly as possible.

Ideas for saving energy

Installation

- Locate the refrigerator in the coolest part of the room, out of direct sunlight, and away from heating ducts or registers.
- Do not place the refrigerator next to heat-producing appliances such as a range, oven, or dishwasher. If this is not possible, a section of cabinetry or an added layer of insulation between the two appliances will help the refrigerator operate more efficiently.
- Level the refrigerator so that the doors close tightly.

Temperature settings

Refer to the **CONTROLS AND SETTINGS** for procedures on temperature settings.

Food storage

- Avoid overcrowding the refrigerator or blocking cold air vents. Doing so causes the refrigerator to run longer and use more energy.
- Cover foods and wipe containers dry before placing them in the refrigerator. This cuts down on moisture build-up inside the unit.
- Organize the refrigerator to reduce door openings. Remove as many items as needed at one time and close the door as soon as possible.
- Do not place a hot container directly on a cold shelf. Remember, such an extreme temperature change may damage the glass.

Understanding the sounds coming from the refrigerator

High-efficiency refrigerators may introduce *unfamiliar sounds*. These sounds normally indicate the refrigerator is operating correctly. Some surfaces on floors, walls, and kitchen cabinets may make these sounds more noticeable.

The following is a list of major components in the refrigerator and the sounds they can cause:

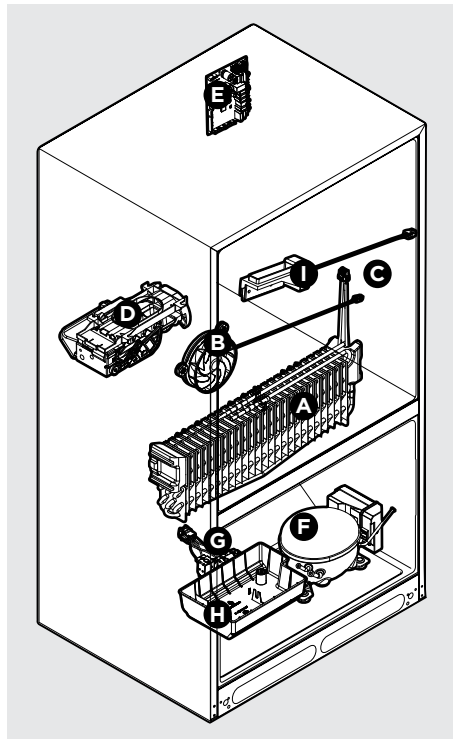
- A Evaporator** Refrigerant through the evaporator may create a *boiling or gurgling* sound.
- B Evaporator fan** You may hear sounds of *air being forced* through the refrigerator by the evaporator.
- C Defrost heaters** During defrost cycles, water dripping onto the defrost heaters may cause a *hissing or sizzling* sound. After defrosting, a popping sound may occur.
- D Automatic ice maker** When ice has been produced, you may hear sounds of *ice cubes falling* into the ice bin. The ice maker fan, water valve activation, and refrigerant gas fluid may create sounds from its operation.
- E Electronic control & automatic defrost control** These parts can produce a *snapping or clicking* sound when turning the cooling system on and off.
- F Compressor** High-efficiency compressors run much faster than previous models. The compressor may have a noticeable *hum or pulsating* sound during operation.
- G Water valves** They make a *buzzing* sound each time they open to fill the ice maker.
- H Drain pan** (not removable) You may hear sounds of *water dripping* into the drain pan during the defrost cycle.
- I Motorized damper** May produce a *light humming* during operation.

NOTE

Energy efficient foam in the refrigerator is not a sound insulator.

NOTE

During the automatic defrost cycle, a red glow in the back wall vents of the freezer compartment is normal.



Features vary by model

PurePour™ Water Filter

The refrigerator is equipped with a water filtering system. The water filtering system filters water used to produce ice. The water filter is located at the top left side of the fresh food compartment.

Ordering your replacement water filter

If you have not used your refrigerator for a period of time (during moving for example), change the filter before reinstalling the refrigerator. To order your replacement filters, please visit our online store at Frigidaire.com, by calling 1-800-374-4432 (Frigidaire.ca or 1-800-265-8352 in Canada) or through the dealer from which the refrigerator was purchased. We recommend replacing filters at least once every 6 months.

Here is the product number to request when ordering:

PurePour™ Water & Ice Refrigerator Filter PWF-1™ FPPWFOU1



NOTE

When ordering replacement filters, please reorder the same filter type that is currently in the refrigerator.

*Find the [Performance Data Sheet](#) located in the **Guides and Manuals** section for your specific water filter on Frigidaire.com.

More about your advanced water filter



Certified by IAPMO R&T against NSF/ANSI Standards 42, 53, 401, CSA B483.1 and NSF/ANSI/CAN 372 in PurePour PWF-1 systems for reduction of the claims on the Performance Data Sheet*.

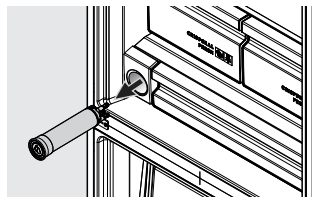
Do not use with water that is microbiologically unsafe or of unknown quality without adequate disinfection before or after the system. You may use systems certified for cyst reduction on disinfected waters that may contain filterable cysts.

Test & certification results:

- Rated Capacity - 125 gallons/473 liters for **PurePour** ice and water filter
- Rated service flow - .65 gallons/minute
- Operating Temp: Min. 33°F, Max. 100°F
- Maximum Rated Pressure - 100 lb/in.²
- Recommended Minimum Operating Pressure: 30 lb/in.²

Replacing your water filter

Change the water filter every 6 months to ensure the highest possible water quality. **Replace Water Filter** on the display indicates when to replace the filter after a standard amount of water (125 gallons/473 liters for **PurePour**) has flowed through the system.



30 FILTER REPLACEMENT

It is not necessary to turn the water supply off to change the filter. Be ready to wipe up any small amounts of water released during the filter replacement.

1. Turn off **Ice Maker** on the appliance control display.
2. Remove the old filter by rotating it counterclockwise (to the left) 90 degrees to release it.
3. Slide the old filter cartridge straight out of the housing and discard it.
4. Unpackage the new filter cartridge. Slide it into the filter housing as far as it will go with the grip end horizontal.
5. Push lightly inward on the filter while rotating it clockwise (to the right). The filter will then pull itself inward as it is rotated. Rotate the filter 90 degrees until it stops and the grip end is vertical. You may hear a very light click as the filter locks into place.
6. Press and hold the **Reset Water Filter** button on the appliance control display for 3 seconds. When the indicator is no longer illuminated, the water filter status has been reset.
7. Turn on **Ice Maker** on the appliance control display.
8. In order for the ice maker to work properly, clear air from the water filter tubing by filling the ice bin completely twice. Discard the ice produced.

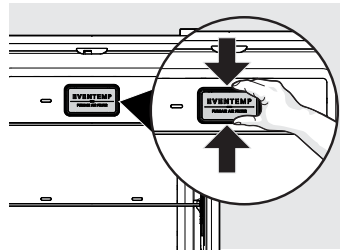
PureAir® RAF-1™ Air Filter

The air filter is located in the top center of the fresh food compartment. To order replacement filters, please visit our online store at Frigidaire.com, by calling 1-800-374-4432 (Frigidaire.ca or 1-800-265-8352 in Canada) or through the dealer from which the refrigerator was purchased. We recommend replacing filters at least once every 6 months.

Here is the product number to request when ordering:

PureAir RAF-1 Air Filter PAULTRA2

Replacing your air filter



To ensure optimal filtering of refrigerator odors, change the air filter every 6 months (**Replace Air Filter** appears on the appliance control display after 6 months).

1. Remove the air filter cover by squeezing the top and bottom of the cover together and removing from liner.
2. Remove the old filter and discard it.
3. Unpack the new filter and snap it into the filter cover. Install the open face (carbon media) of the filter facing outward in the cover.
4. Replace the air filter cover by squeezing the sides and snapping it back into place.
5. Press and hold the **Reset Air Filter** button on the appliance control display for 3 seconds. When the indicator turns off, the status has been reset.

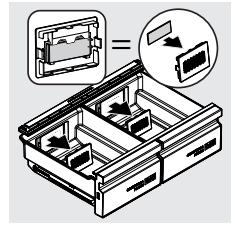
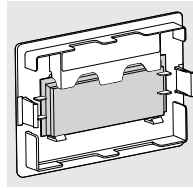
PureAir PK-2 Produce Keeper Plus™

Keep fruits and vegetables fresher longer with **PureAir PK-2 Produce Keeper Plus**. Our produce keeper absorbs ethylene gas, the natural gas that causes produce to ripen quicker. Reduce food waste, save money and enjoy fresh-tasting produce with a longer storage life. To order replacement filters, please visit our online store at Frigidaire.com, by calling toll-free at 1-800-372-4432, or by visiting the dealer where you purchased your unit. We recommend replacing filters at least once every 12 months. Here are the product numbers to request when ordering:

**PureAir Produce Keeper Plus
FRPAPK2RF**

Installing the PureAir Produce Keeper Plus:

1. Remove the plastic wrapper. Insert the packet into the holder in the rear of the crisper.
2. For optimal results, replace the refill every 12 months along with your air filter.



CAUTION

DO NOT OPEN CLOTH POUCH. Keep out of the reach of children.

DO NOT EAT. If ingested, seek medical treatment immediately.

WASH HANDS AFTER HANDLING.

DO NOT SUBMERGE IN WATER.

32 CARE AND CLEANING

Care and Cleaning Tips

Keeping the refrigerator clean maintains its appearance and prevents odor build-up. Wipe up any spills immediately and clean the freezer and fresh food compartments at least twice a year.



NOTE

Do not use abrasive cleaners such as window sprays, scouring cleansers, flammable fluids, cleaning waxes, concentrated detergents, bleaches, or cleansers containing petroleum products on plastic parts, interior doors, gaskets, or cabinet liners. Do not use scouring pads or other abrasive cleaning materials.

- Never use metallic scouring pads, brushes, abrasive cleaners, or strong alkaline solutions on any surface.
- Never use CHLORIDE or cleaners with bleach to clean stainless steel.
- Do not wash any removable parts in a dishwasher.



NOTE

When setting temperature controls to turn off cooling, power to lights and other electrical components will continue until the power cord is unplugged from the wall outlet.

- Always unplug the electrical power cord from the wall outlet before cleaning.
- Remove adhesive labels by hand. Do not use razor blades or other sharp instruments which can scratch the appliance surface.
- Do not remove the serial plate. Removing the serial plate voids the warranty.
- Before moving the refrigerator, raise the anti-tip brackets so the rollers will work correctly. This will prevent the floor from being damaged.

Refer to the guide on the next page for details on caring and cleaning specific areas of refrigerator.



CAUTION

- Pull the refrigerator straight out to move it. Shifting it from side to side may damage flooring. Be careful not to move the refrigerator beyond the plumbing connections.
- Damp objects stick to cold metal surfaces. Do not touch refrigerated surfaces with wet or damp hands.



IMPORTANT

When storing or moving refrigerator in freezing temperatures, be sure to completely drain the water supply system. Failure to do so could result in water leaks when the refrigerator is put back into service. Contact a service representative to perform this operation.

Vacation and moving tips

Occasion Tips

- Short Vacations**
- Leave the refrigerator operating during vacations of 3 weeks or less.
 - Use all perishable items from refrigerator compartment.
 - Turn the automatic ice maker off and empty the ice bucket, even if only away a few days.

- Long Vacations**
- Remove all food and ice if leaving for 1 month or more.
 - Turn the cooling system off (see **CONTROLS AND SETTINGS** for the location of the On/Off button) and disconnect the power cord.
 - Turn the water supply valve to the closed position.
 - Clean the interior thoroughly.
 - Leave both doors open to prevent odors and mold build-up. Block the doors open if necessary.

- Moving**
- Unplug the unit.
 - Remove all food and ice.
 - If using a handcart, we recommend loading from the side.
 - Adjust rollers all the way up to protect them during sliding or moving.
 - Pad the cabinet to avoid scratching the surface.

Care & Cleaning Tips		
Part	What To Use	Tips and Precautions
Interior & Door Liners	<ul style="list-style-type: none"> • Soap and water • Baking soda and water 	Use two tablespoons of baking soda in one quart of warm water. Be sure to wring excess water out of sponge or cloth before cleaning around controls, light bulb or any electrical part.
Door Gaskets	<ul style="list-style-type: none"> • Soap and water 	Wipe gaskets with a clean soft cloth.
Drawers & Bins	<ul style="list-style-type: none"> • Soap and water 	Use a soft cloth to clean drawer runners and tracks.
Glass Shelves	<ul style="list-style-type: none"> • Soap and water • Glass cleaner • Mild liquid sprays 	Allow glass to warm to room temperature before immersing in warm water.
Exterior & Handles	<ul style="list-style-type: none"> • Soap and water • Non abrasive glass cleaner 	Do not use commercial household cleaners containing ammonia, bleach or alcohol to clean handles. Use a soft cloth to clean smooth handles or exterior. DO NOT use a dry cloth to clean smooth doors.

34 TROUBLESHOOTING

Let us help you troubleshoot your concern! This section will help you with common issues. If you need us, visit our website, chat with an agent, or call us. We may be able to help you avoid a service visit. If you do need service, we can get that started for you!

1-800-374-4432 (United States)
Frigidaire.com

1-800-265-8352 (Canada)
Frigidaire.ca

Concern	Potential Cause	Common Solution
Automatic Ice Maker		
Ice maker is not making any ice.	<ul style="list-style-type: none"> Ice maker is turned off. Refrigerator is not connected to water line or water valve is not open. The water supply line is kinked. The water filter is not seated properly. 	<ul style="list-style-type: none"> Press Ice Maker on the appliance control display. Connect the unit to the household water supply and ensure the water valve is open. Ensure the supply line does not kink when the refrigerator is pushed into place against the wall. Remove and reinstall the water filter. Be sure to seat it fully into the locked position.
Ice maker is not making enough ice.	<ul style="list-style-type: none"> Ice maker is producing less ice than expected. The water supply line is kinked. Water pressure is extremely low. Cut-off and cut-on pressures are too low (well systems only). Reverse osmosis system is in regenerative phase. 	<ul style="list-style-type: none"> The ice maker will produce approximately 3.5 lbs. of ice every 24 hours depending on usage conditions. Ensure the supply line does not kink when the refrigerator is pushed into place against the wall. Have someone turn up the cut-off and cut-on pressure on the water pump system (well systems only). It is normal for a reverse osmosis system to be below 20 psi during the regenerative phase.
Ice cubes are freezing together.	<ul style="list-style-type: none"> Ice cubes are not being used frequently enough or interruption of power for prolonged time. Ice cubes are hollow (shells of ice with water inside). The hollow cubes break open in the bin and leak their water onto existing ice, which causes it to freeze together. 	<ul style="list-style-type: none"> Remove ice bin and discard ice. The ice maker will produce fresh supply. Ice should be used at least twice weekly to keep the cubes separated. This generally occurs when the ice maker does not get enough water. This is usually the result of a clogged water filter or restricted water supply. Replace the water filter and if the condition still occurs, check to see if the water valve is not turned on all the way or if there is a kinked water supply line.

Concern	Potential Cause	Common Solution
Opening/Closing Of Doors/Drawers		
Door(s) will not close.	<ul style="list-style-type: none"> • Door was closed too hard, causing other door to open slightly. • Refrigerator is not level. It rocks on the floor when moved slightly. • Refrigerator is touching a wall or cabinet. • Food/packaging is obstructing the door from closing. • Flipper mullion on left fresh food door is not in the correct position. 	<ul style="list-style-type: none"> • Close both doors gently. • Ensure floor is level and solid, and can adequately support the refrigerator. Contact a carpenter to correct a sagging or sloping floor. • Ensure floor is level and solid, and can adequately support the refrigerator. Contact a carpenter to correct a sagging or sloping floor. • Make sure no food/packaging is blocking the doorway. • Ensure the flipper mullion is in the correct position to allow the door to close. (See Flipper Mullion in INSTALLATION.)
Drawers are difficult to move.	<ul style="list-style-type: none"> • Food is touching shelf on top of drawer. • Track the drawers slide on is dirty. 	<ul style="list-style-type: none"> • Remove top layer of items in drawer. • Ensure drawer is properly installed on track. • Clean drawer, rollers, and track. See CARE AND CLEANING.
Running of Refrigerator		
Compressor does not run.	<ul style="list-style-type: none"> • Refrigerator is in defrost cycle. • Plug at electrical outlet is disconnected. • House fuse blown or tripped circuit breaker. • Power outage. 	<ul style="list-style-type: none"> • This is normal for a fully automatic defrost refrigerator. The defrost cycle occurs periodically, lasting about 30 minutes. • Ensure plug is tightly pushed into outlet. • Check/replace fuse with a 15-amp time-delay fuse. Reset circuit breaker. • Check house lights. Call local electric company.
Refrigerator seems to run too much or too long.	<ul style="list-style-type: none"> • The variable speed compressor is designed to run 100% of the time except during the defrost cycle. At times it will run faster, such as after a defrost cycle. 	<ul style="list-style-type: none"> • It is normal for the compressor to run continuously except during defrost mode.
Digital Temperature Setting Display		
Digital temperature displays an error.	<ul style="list-style-type: none"> • Electronic control system has detected a performance problem. 	<ul style="list-style-type: none"> • Contact Electrolux Customer Care for assistance with any errors or codes flashing in the display by calling 1-800-374-4432.

36 TROUBLESHOOTING

Concern	Potential Cause	Common Solution
Water/Moisture/Frost Inside Refrigerator		
Moisture collects on inside of refrigerator walls.	<ul style="list-style-type: none"> • Weather is hot and humid. • Flipper mullion 	<ul style="list-style-type: none"> • The rate of frost buildup and internal sweating increases. • Adjust flipper mullion. (See Flipper Mullion in INSTALLATION.)
Water collects on bottom side of drawer cover.	<ul style="list-style-type: none"> • Vegetables contain and give off moisture. 	<ul style="list-style-type: none"> • It is not unusual to have moisture on the bottom side of the cover. • Both crispers contain an automatic humidity control, which should adjust automatically to the varying levels of moisture inside the drawer without creating additional condensation or drying out the air inside the crisper drawer, works with various types of produce. If excess moisture is noticed, check to verify humidity membrane is not damaged and replace as necessary.
Water collects in bottom of drawer.	<ul style="list-style-type: none"> • Washed vegetables and fruit drain while in the drawer. 	<ul style="list-style-type: none"> • Dry items before putting them in the drawer. Water collecting in bottom of drawer is normal.
Water/Moisture/Frost Outside Refrigerator		
Moisture collects on outside of refrigerator or between doors.	<ul style="list-style-type: none"> • Weather is humid. 	<ul style="list-style-type: none"> • This is normal in humid weather. When humidity is lower, the moisture should disappear.
Food/Drinks in Fresh Food Compartment		
Food is freezing.	<ul style="list-style-type: none"> • Temperature setting is too low. • Temperature sensor is covered by food (right side of fresh food area). • Food is covering the air ports. 	<ul style="list-style-type: none"> • Move the setting to a higher degree. • Allow space for air flow to the sensor. • Allow space between the air ports and the food.

Your appliance is covered by a one year limited warranty. For one year from your date of delivery, Electrolux will pay all costs for repairing or replacing any parts of this appliance that prove to be defective in materials or workmanship when such appliance is installed, used and maintained in accordance with the provided instructions.

Exclusions

This warranty does not cover the following:

1. Products with original serial numbers that have been removed, altered or cannot be readily determined.
2. Product that has been transferred from its original owner to another party or removed outside the USA or Canada.
3. Rust on the interior or exterior of the unit.
4. Products purchased "as-is" are not covered by this warranty.
5. Food loss due to any refrigerator or freezer failures.
6. Products used in a commercial setting.
7. Service calls which do not involve malfunction or defects in materials or workmanship, or for appliances not in ordinary household use or used other than in accordance with the provided instructions.
8. Service calls to correct the installation of your appliance or to instruct you how to use your appliance.
9. Expenses for making the appliance accessible for servicing, such as removal of trim, cupboards, shelves, etc., which are not a part of the appliance when it is shipped from the factory.
10. Service calls to repair or replace appliance light bulbs, air filters, water filters, other consumables, or knobs, handles, or other cosmetic parts.
11. Surcharges including, but not limited to, any after hour, weekend, or holiday service calls, tolls, ferry trip charges, or mileage expense for service calls to remote areas, including the state of Alaska.
12. Damages to the finish of appliance or home incurred during installation, including but not limited to floors, cabinets, walls, etc.
13. Damages caused by: services performed by unauthorized service companies; use of parts other than genuine Electrolux parts or parts obtained from persons other than authorized service companies; or external causes such as abuse, misuse, inadequate power supply, accidents, fires, or acts of God.

DISCLAIMER OF IMPLIED WARRANTIES; LIMITATION OF REMEDIES

CUSTOMER'S SOLE AND EXCLUSIVE REMEDY UNDER THIS LIMITED WARRANTY SHALL BE PRODUCT REPAIR OR REPLACEMENT AS PROVIDED HEREIN. CLAIMS BASED ON IMPLIED WARRANTIES, INCLUDING WARRANTIES OF MERCHANTABILITY OR FITNESS FOR A PARTICULAR PURPOSE, ARE LIMITED TO ONE YEAR OR THE SHORTEST PERIOD ALLOWED BY LAW, BUT NOT LESS THAN ONE YEAR. ELECTROLUX SHALL NOT BE LIABLE FOR CONSEQUENTIAL OR INCIDENTAL DAMAGES SUCH AS PROPERTY DAMAGE AND INCIDENTAL EXPENSES RESULTING FROM ANY BREACH OF THIS WRITTEN LIMITED WARRANTY OR ANY IMPLIED WARRANTY. SOME STATES AND PROVINCES DO NOT ALLOW THE EXCLUSION OR LIMITATION OF INCIDENTAL OR CONSEQUENTIAL DAMAGES, OR LIMITATIONS ON THE DURATION OF IMPLIED WARRANTIES, SO THESE LIMITATIONS OR EXCLUSIONS MAY NOT APPLY TO YOU. THIS WRITTEN WARRANTY GIVES YOU SPECIFIC LEGAL RIGHTS. YOU MAY ALSO HAVE OTHER RIGHTS THAT VARY FROM STATE TO STATE.

If You Need Service

Keep your receipt, delivery slip, or some other appropriate payment record to establish the warranty period should service be required. If service is performed, it is in your best interest to obtain and keep all receipts. Service under this warranty must be obtained by contacting Electrolux at the addresses or phone numbers below.

This warranty only applies in the USA and Canada. In the USA, your appliance is warranted by Electrolux Major Appliances North America, a division of Electrolux Home Products, Inc. In Canada, your appliance is warranted by Electrolux Canada Corp. Electrolux authorizes no person to change or add to any obligations under this warranty. Obligations for service and parts under this warranty must be performed by Electrolux or an authorized service company. Product features or specifications as described or illustrated are subject to change without notice.

USA
1-800-374-4432
 Frigidaire
 10200 David Taylor Drive
 Charlotte, NC 28262



Canada
1.800.265.8352
 Electrolux Canada Corp.
 5855 Terry Fox Way
 Mississauga, Ontario, Canada
 L5V 3E4

FRIGIDAIRE®

welcome **home**

Our home is your home. Visit us if you need help with any of these things:



owner support



accessories



service



registration

(See your registration card for more information.)

Frigidaire.com
1-800-374-4432

Frigidaire.ca
1-800-265-8352