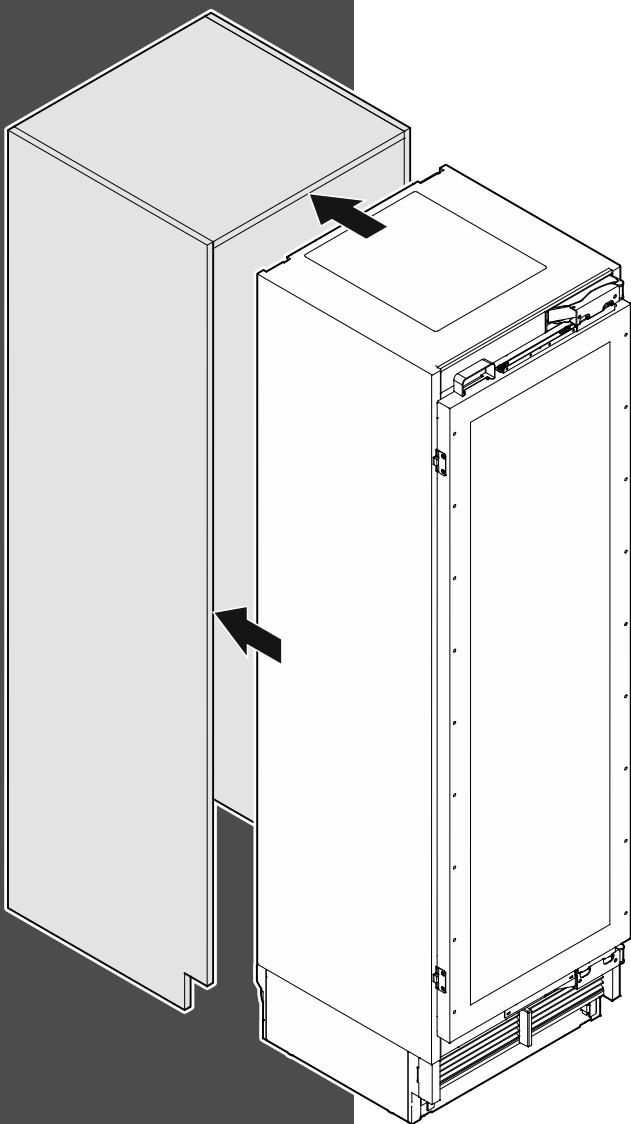


LIEBHERR

Installation Instructions

For Wine Cooler



MW 1801 / MW 1810 / MW 1811 / MW 2400 / MW 2410 / MW 2411
7080 554-01

IMPORTANT

Table of Contents	Page
Please Read and Follow these Instructions	2
Note to the Installer	2
Important Safety Information	3
R600a Refrigerant.....	4
Disposal of Old Appliance	4
Disposal of Packaging Material	4
Electrical Safety	5
Blocking for Safety.....	5
Appliance Dimensions.....	6
Door Swing Clearance (top view)	6
Cabinet Opening Dimensions.....	7
Panel Dimensions	8
Unpacking	9
Standard Accessories.....	11
Anti-tipping device	12
Appliance Installation.....	14
SmartDeviceBox (Not Supplied in All Countries)	14
Please note in case of removing appliance from the recess.....	21
Important Note for Changing over Door Hinges or Limiting the Hinges to a 90° Opening Angle	21

Please Read and Follow these Instructions

These instructions contain Danger, Warning, and Caution notes.

This information is important for safe and efficient installation and operation.

Always read and comply with all Danger, Warning, and Caution notes!

DANGER!

Danger indicates a hazard which will cause serious injury or death if precautions are not followed.

WARNING!

Warning indicates a potentially hazardous situation which, if not avoided, could result in death or serious injury.

CAUTION!

Caution indicates a potentially hazardous situation which, if not avoided, may result in minor or moderate injury.

IMPORTANT

This indicates information that is especially relevant to a problem-free installation and operation.

Note to the Installer

It is very important to follow the instructions in the manual to ensure proper installation and operation of the unit.

Before installing the unit, be sure to thoroughly read and understand all of the information in this manual.

WARNING!

Electrocution hazard.

Do not connect to the electrical outlet before the installation is completed.

IMPORTANT

All types and models are subject to continuous improvement. The manufacturer reserves the right to make modifications to the shape, equipment, and technology.

Important Safety Information

- **WARNING:** Keep ventilation openings, in the appliance enclosure or in the built-in structure, clear of obstruction.
- **WARNING:** Do not use mechanical devices or other means to accelerate the defrosting process, other than those recommended by the manufacturer.
- **WARNING:** Do not damage the refrigerant circuit.
- **WARNING:** The power cord must not be damaged while installing the appliance.
- **WARNING:** Multi-sockets or distributor strips and other electronic devices (such as halogen transformers) must not be positioned and operated at the rear of appliances.
- **WARNING:** Danger of injury through electric shock! There are live parts under the cover. Only have the interior LED light replaced or repaired by customer service staff or trained personnel.
- **WARNING:** Risk of injury from the LED lamp. The light intensity of the LED light complies with laser class RG 2. If the cover is defective, do not look directly at the light through optical lenses from close distance. This may damage your eyes.
- **WARNING:** This appliance must be secured as described in the Use and Care Manual (Installation Instructions) to rule out any potential risks due to its instability.
- **WARNING:** Do not use electrical appliances inside the food storage compartments of the appliance, unless they are of the type recommended by the manufacturer.
- Any repairs and work on the appliance should only be performed by the customer service department. Unauthorized work may be dangerous to the user. The power source cable should only be changed or replaced by the customer service department. Component parts and power cords shall be replaced with like components performed by factory authorized service personnel only.
- Do not stand on the toe kick, drawers or doors or use them to support anything else.
- This appliance is not intended for use by persons (including children) with reduced physical, sensory or mental capabilities or lack of experience and knowledge unless they have been given initial supervision or instruction concerning use of the appliance by a person responsible for their safety. Children should be supervised to ensure that they do not play with the appliance.
- Do not store explosive substances such as aerosol cans with a flammable propellant in this appliance.
- To prevent injury and damage to property, the appliance should only be installed by two people.
- Check the appliance for signs of damage after unpacking. Contact the supplier if it is damaged. Do not connect the appliance to the mains power supply.
- Avoid prolonged skin contact with cold surfaces (e.g., chilled/frozen products). If necessary, take safety action (e.g., gloves).
- Do not consume food which has been stored for too long; it could cause food poisoning.

SAFETY

- Any repairs and work on the appliance should only be performed by the customer service department or other trained personnel. The same applies to changing the power cord.
- Only perform repair and other work on the appliance when the plug has visibly been disconnected.
- Only install, connect, and dispose of the appliance as described in this Use and Care Manual.
- In the event of a fault, pull out the plug or switch off the fuse.
- When disconnecting the appliance from the power source, pull it out by the plug, never pull on the cable.
- If you have a lockable appliance, do not keep the key near the appliance or within reach of children.
- The appliance is designed for use in enclosed rooms. Do not operate the appliance outdoors or in areas where there is moisture or splashing water.
- Do not use the interior LED light to light the room. The interior LED light is only designed to illuminate the interior of the appliance.
- Do not allow naked flames or ignition sources to enter the appliance.
- Alcoholic drinks or other vessels containing alcohol should be sealed tightly for storage.

R600a Refrigerant



WARNING!

The refrigerant R600a contained within the appliance is environmentally friendly, but flammable. Leaking refrigerant can ignite.

Disposal of Old Appliance



DANGER!

Risk of child entrapment.

Child entrapment and suffocation are not problems of the past.

Junked or abandoned refrigerators are still dangerous – even if they will sit for “just a few days.”

If you are getting rid of your old refrigerator, please follow these instructions to help prevent accidents.

Before you discard old appliances:

- **Take off the doors.**
- **Leave the shelves in place so that children may not easily climb inside.**
- **Cut off the power cord from the discarded appliance. Discard separately from the appliance.**
- **Be sure to follow your local requirements for disposal of appliances.**

Contact the trash collection agency in your area for additional information.

Disposal of Packaging Material



WARNING!

Keep packaging materials away from children. Polythene sheets and bags can cause suffocation!

If possible, please recycle packaging material at a recycling facility.

Electrical Safety

Connect this appliance to a 15 amp or 20 amp, 110-120 VAC circuit which is grounded and protected by a circuit breaker or fuse.

We recommend using a dedicated circuit for this appliance to prevent circuit overload and the chance of interruption to the appliance.

This appliance is equipped with a three-prong (grounding) polarized plug for your protection against possible shock hazards.

Where a two-prong wall receptacle is encountered, contact a qualified electrician and have it replaced with a properly grounded three-prong receptacle in accordance with all local codes and ordinances.



WARNING!

Electrocution hazard.

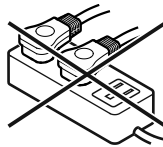
Electrical grounding required.

- **Do not remove the round grounding prong from the plug.** →



- **Do not use extension cords or ungrounded (two prong) adapters.**

- **Do not use a power cord that is frayed or damaged.**



- **Do not use a power strip.** →

Failure to follow these instructions may result in fire, electric shock or death.

Blocking for Safety

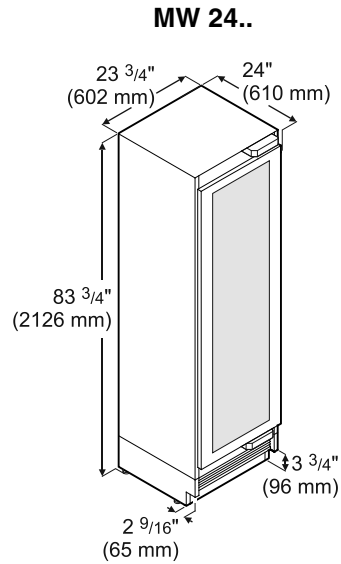
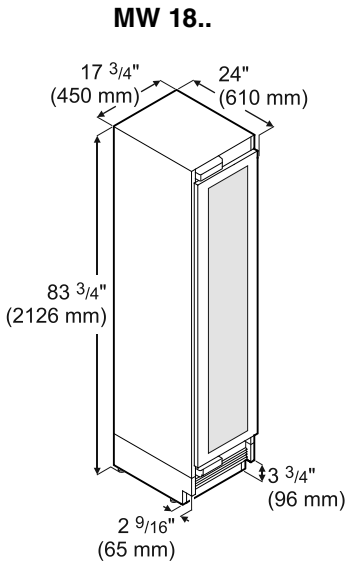


WARNING!

To avoid a hazard due to instability of the appliance, it must be fixed in accordance with the instructions.

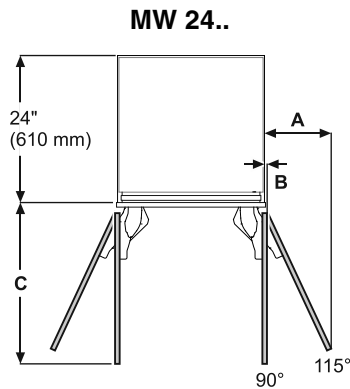
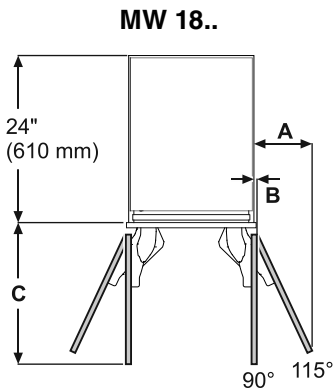
PLANNING INFORMATION

Appliance Dimensions



Stated minimum height dimensions include when the levelled feet are fully inserted.
 Width will increase by 1/4" (6.5 mm) when mounting strips are installed.

Door Swing Clearance (top view)



Inset installation style

A = 8 1/4" (210 mm)
 B = 1/2" (12.5 mm)
 C = 19 7/8" (505 mm)

Frameless installation style

A = 8 1/2" (216 mm)
 B = 1/2" (12.5 mm)
 C = 20 3/8" (517 mm)

Inset installation style

A = 10 3/4" (273 mm)
 B = 1/2" (12.5 mm)
 C = 25 7/8" (658 mm)

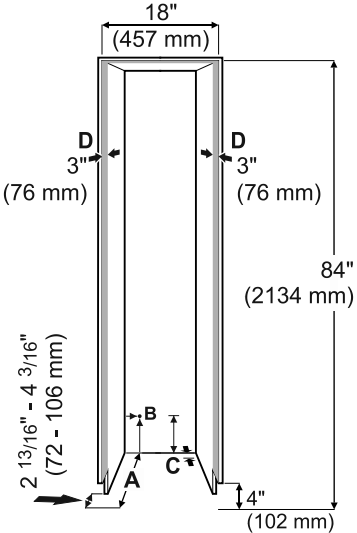
Frameless installation style

A = 11" (279 mm)
 B = 1/2" (12.5 mm)
 C = 26 3/8" (670 mm)

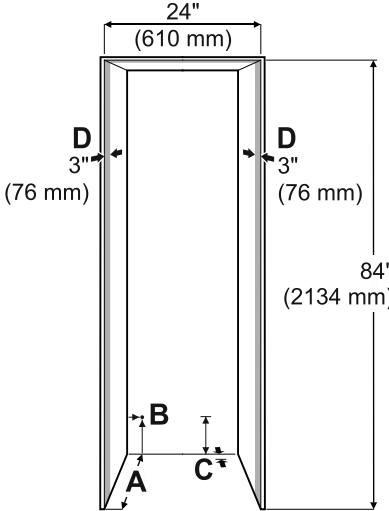
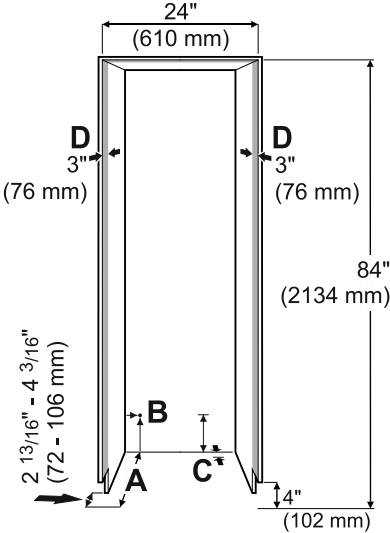
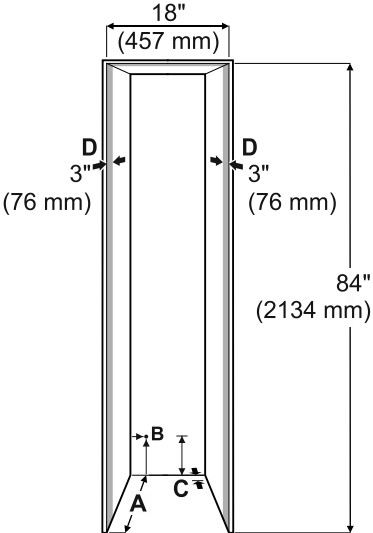
Dimension A and B: Add panel thickness and handle to calculate distance to wall.

Cabinet Opening Dimensions

Continuous toe kick



Individual toe kick



A
Cabinet depth frameless installation style = 25" (635 mm)
Cabinet depth inset installation style = 25" (635 mm) plus panel thickness

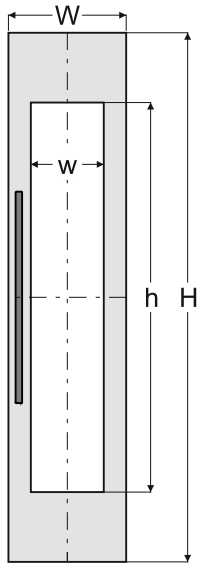
B
This is the point where the power cord exits from the appliance rear. 3/4" (19 mm) from the left and 5" (127 mm) from the floor.
Free length of the power cord is 98" (2.5 m).

IMPORTANT
The power plug must be easily accessible so that the appliance can be disconnected from the mains quickly in an emergency. It must not be behind the back of the appliance.

C
The appliance has a recess in this area for cable and waterline laying. 1" (25 mm) in depth and 5 1/2" (140 mm) in height over the whole width of the appliance.

D
This surface is visible when the appliance door is open. Designed finish is required.

Panel Dimensions



18" recess

Inset installation style

H = 79 7/8" (2029 mm)

W = 17 3/4" (451 mm)

h = 58 7/8" (1495 mm)

w = 11" (280 mm)

Frameless installation style

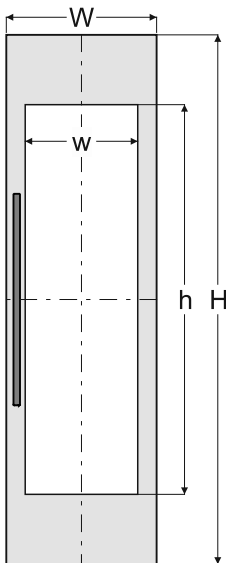
H = 80" (2032 mm) plus overlapping of the panel on the top

W = 18" (457 mm) plus overlapping of the panel on both sides

Minimum panel thickness = 5/8" (16 mm)

Maximum panel thickness = 1" (25 mm)

Maximum panel weight = 55 lbs (25 kg)



24" recess

Inset installation style

H = 79 7/8" (2029 mm)

W = 23 3/4" (603 mm)

h = 58 7/8" (1495 mm)

w = 17" (432 mm)

Frameless installation style

H = 80" (2032 mm) plus overlapping of the panel on the top

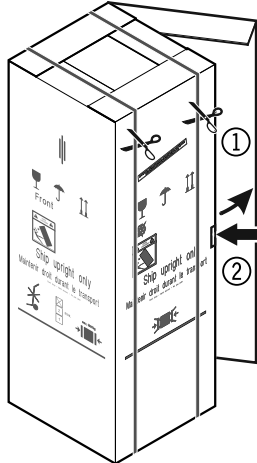
W = 24" (610 mm) plus overlapping of the panel on both sides

Minimum panel thickness = 5/8" (16 mm)

Maximum panel thickness = 1" (25 mm)

Maximum panel weight = 66 lbs (30 kg)

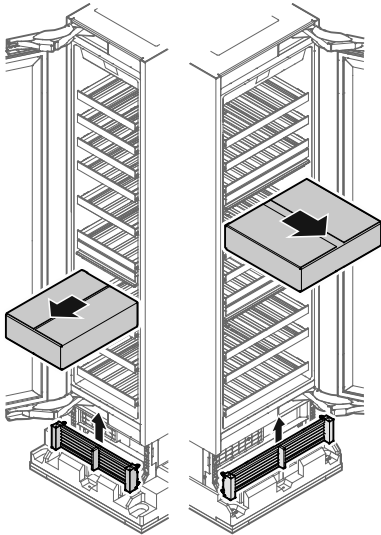
Unpacking



1. Cut the straps and remove them.
2. Press in the lug, tear or cut the carton on the edge and remove it.
3. Remove all styrofoam packing material from the sides and top.

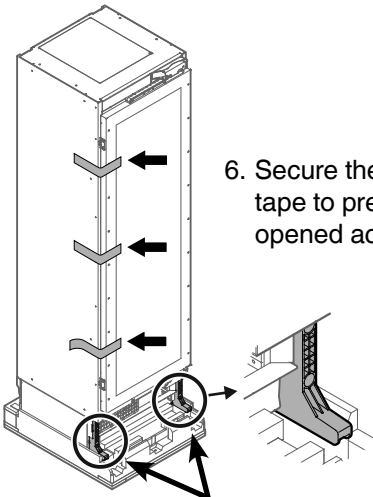
MW 18..

MW 24..



4. Remove the box with mounting parts.

5. Remove the ventilation grille.

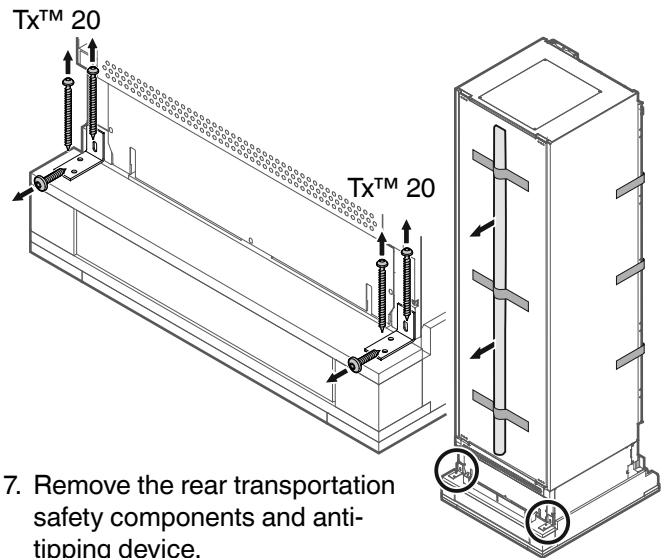


6. Secure the appliance door with tape to prevent it from being opened accidentally.

! DANGER!

Risk of death or serious injury due to appliance tipping.

Do not remove the transit supports before the appliance is in the recess.



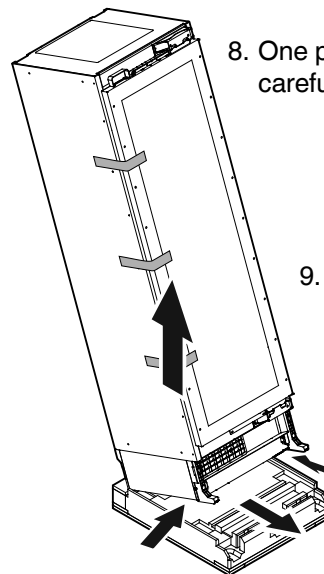
7. Remove the rear transportation safety components and anti-tipping device.

Remove the packed cover strips and support strips from the appliance rear.

! WARNING!

Risk of injury and damage.

Four people are required to safely remove the appliance from the bottom pallet.



8. One person tilts the appliance back carefully and holds it in place.

9. Two people grasp the appliance from the bottom and lift. One on each side.

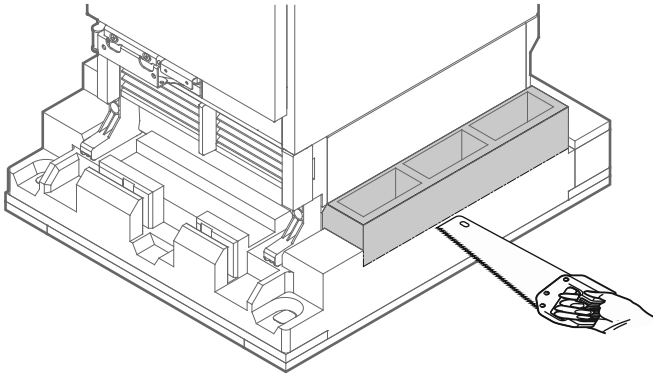
10. One person removes the pallet.

Place the appliance carefully on the floor.

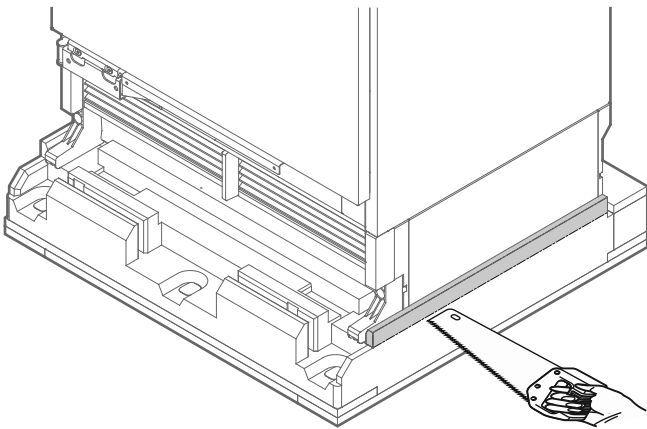
UNPACKING

Alternative possibility:

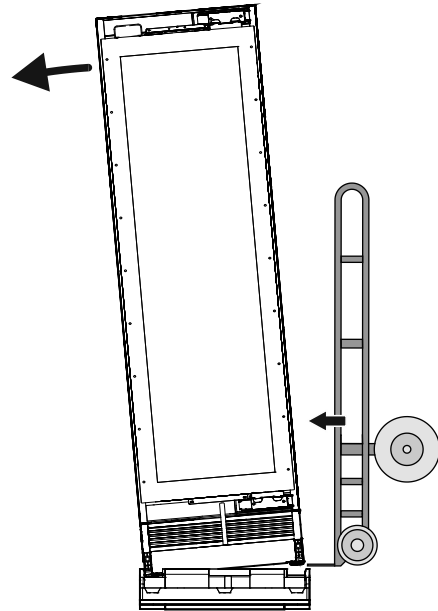
Cut off the marked area from the pallet.



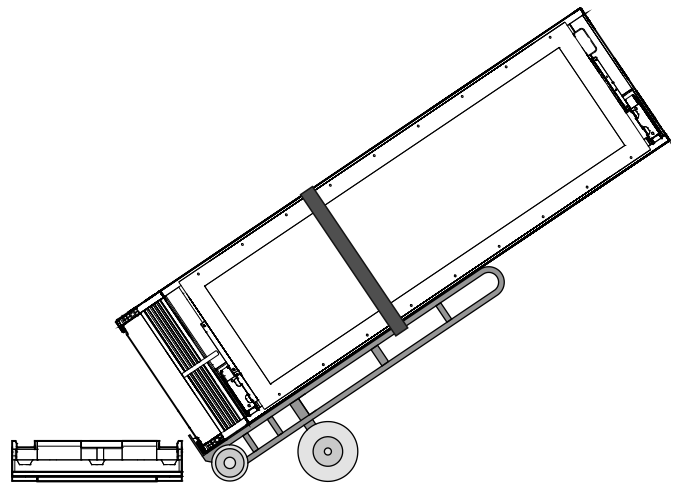
or



Tilt the appliance slightly sideways.

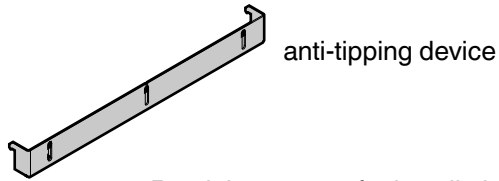
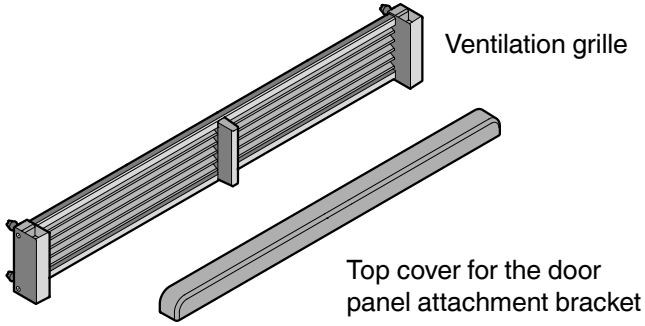


Slide a two-wheeled cart between the appliance and packaging.
Restrain the appliance to the cart with straps.
Tilt the appliance onto the cart.

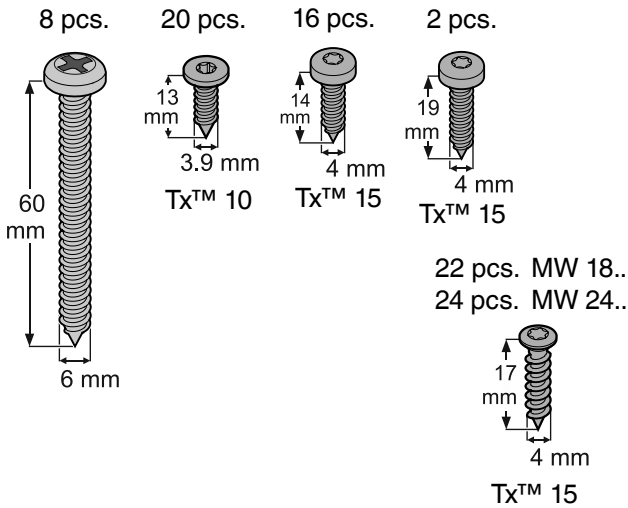


Place the appliance carefully on the floor.

Standard Accessories



Retaining screws for installation

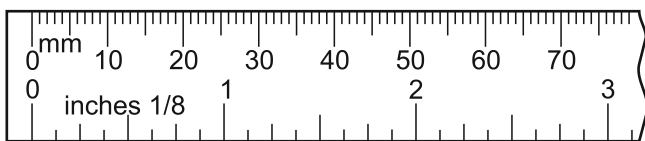


SmartDeviceBox

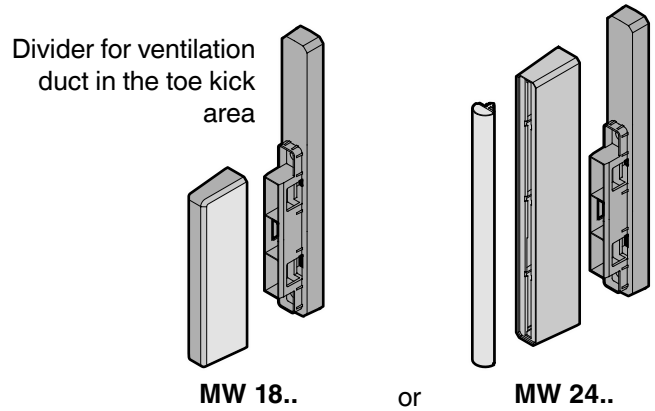
Includes component for smartphone connectivity

DO NOT DISCARD!

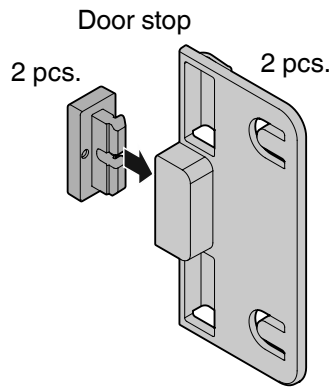
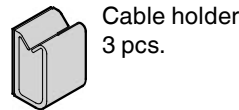
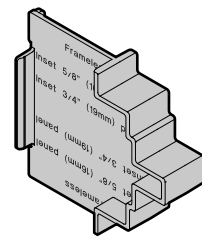
Forward to appliance user!



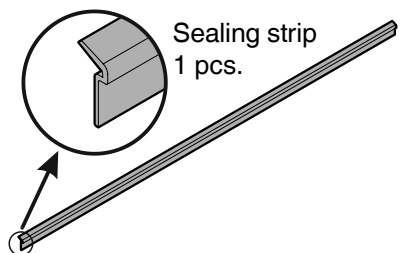
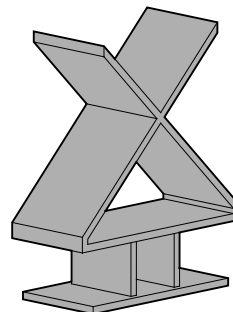
Screw length measuring tool



Depth adjustment aid
4 pcs.



Bottle holder
12 pcs. MW 18..
7 pcs. MW 24..



BLOCKING FOR SAFETY

Anti-tipping device

Secure the appliance in place so it does not tip forward when the fully stocked door is opened. The anti-tipping bracket is provided with the appliance.

- May only be installed by trained personnel.
- The (1/4" x 2-3/8") screws are designed for standard dry walls.
- If the anti-tipping bracket cannot be secured properly using the (1/4" x 2-3/8") screws, use suitable anchors or different screws.

Position anti-tipping device - Figure 1-2

IMPORTANT

Cabinet depth min. 25"

The anti-tipping bracket will be fastened to the floor downwards and to the spacer backwards.

WARNING!

Be sure the wooden spacer is fastened securely to the floor.

Inset kitchen cabinets - Figure 1

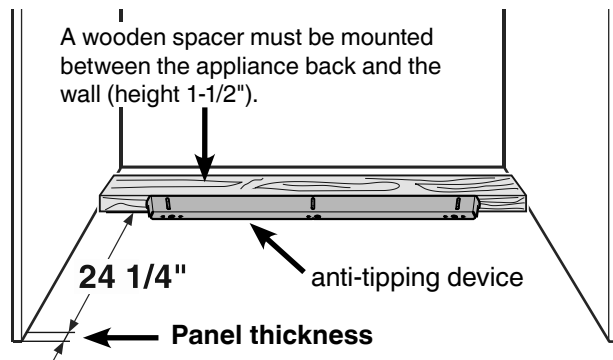


Figure 1

Frameless kitchen cabinets - Figure 2

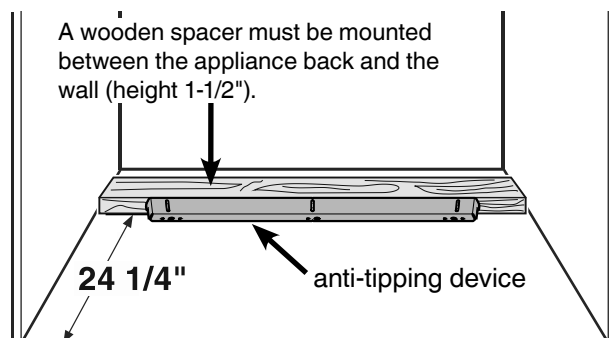


Figure 2

IMPORTANT

If the floor slopes down sideways, the anti-tipping bracket must be fitted horizontally. Lay down spacers in the appropriate positions.

Mounting the anti-tipping device on wooden floors - Figure 3

1. Mark the center line of the appliance on the back wall. Align the anti-tipping bracket center to this line.

WARNING!

Be sure that there is no plumbing or electrical wiring located in this area which screws or drills could damage.

2. Fasten bracket to the wooden floor using 5 screws (1/4" x 2-3/8"). Drill pilot holes if necessary.
3. Fasten bracket with 3 screws (1/4" x 2-3/8") into the wall plate.

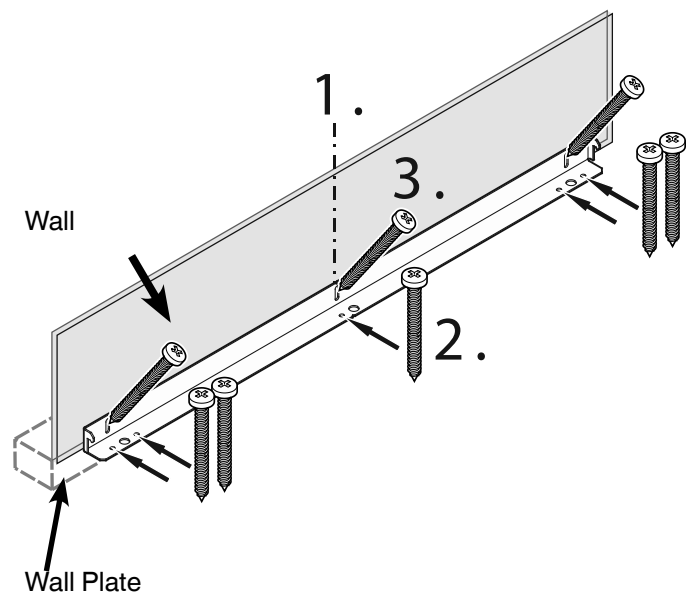


Figure 3

Mounting the anti-tipping device on concrete floors - Figure 4 - 5

1. Mark the center line of the appliance on the back wall.
Align the anti-tipping bracket center to this line.

WARNING!

Be sure that there is no plumbing or electrical wiring located in this area which screws or drills could damage.

2. Drill a 3/8" diameter hole in any position as shown in **Figure 4** using a carbide drill bit.
The depth of the holes must exceed the overall length of the anchors.
Clean the holes after drilling.
3. Attach washer and screw on hex nut to the end of each anchor.
Drive in all 3 anchors.
Align the bracket center to the center line on the back wall again.
Fasten the anchors by turning the hex nut.
4. Fasten bracket with 3 screws (1/4" x 2-3/8") into the wall plate (**Figure 5**).

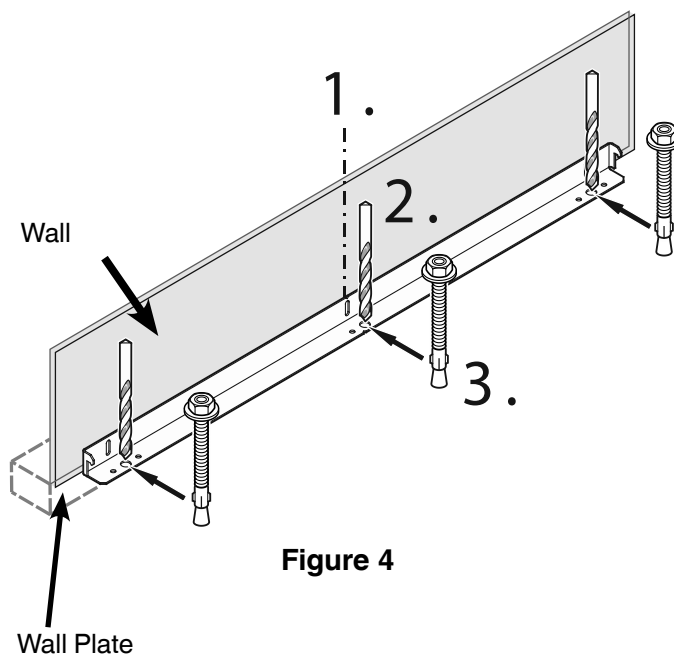


Figure 4

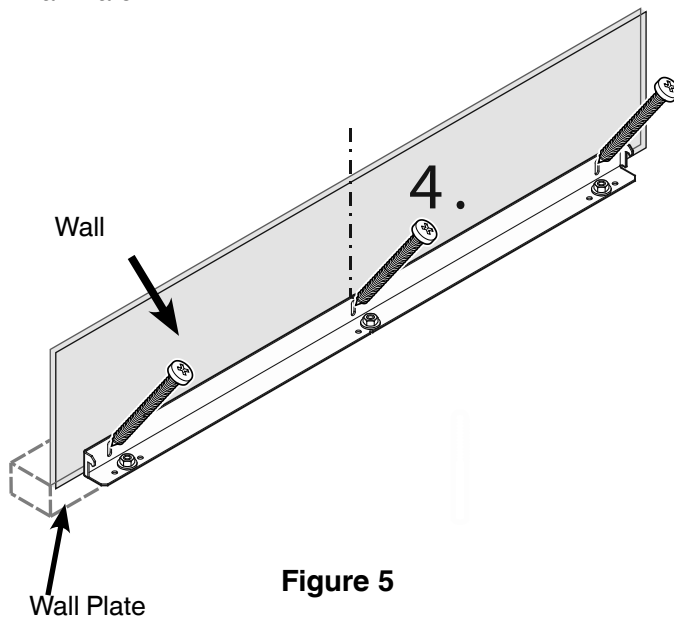
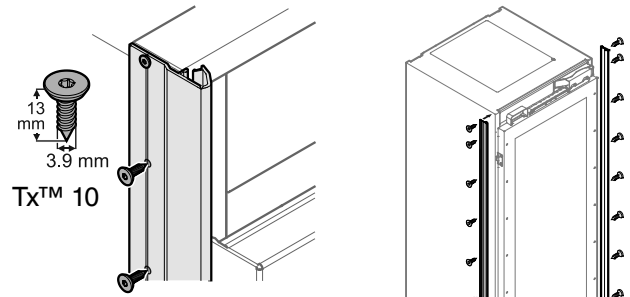
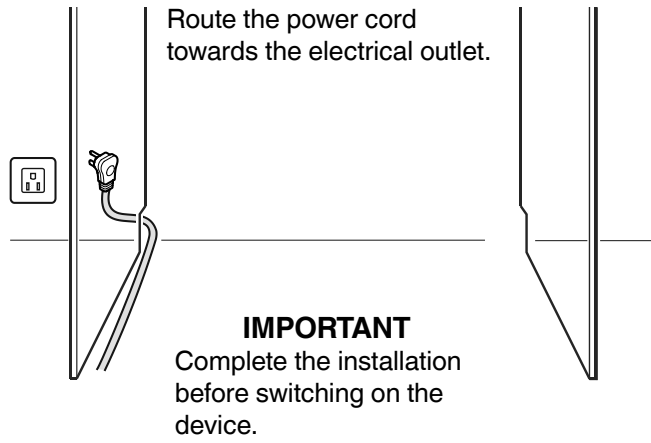


Figure 5

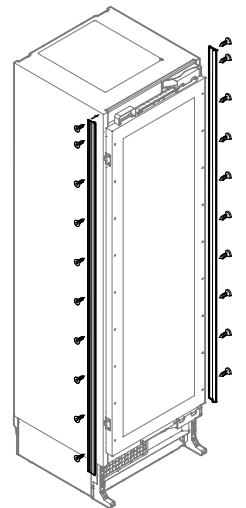
BLOCKING FOR SAFETY

Appliance Installation

Move the appliance towards the final position and leave enough space to work behind.

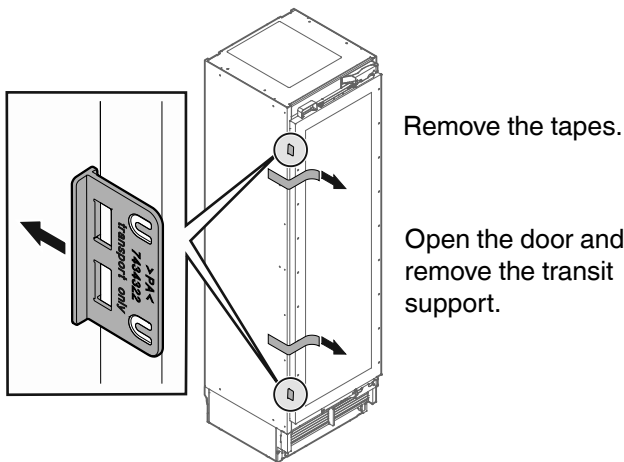


Apply the appliance cover strips to the left and right front edge of the appliance housing, align in height with the top profile and screw into place. The strip is transparent so the designed mounting holes on the appliance housing are visible. We recommend that you mark and pre-drill the hole positions in the strip.

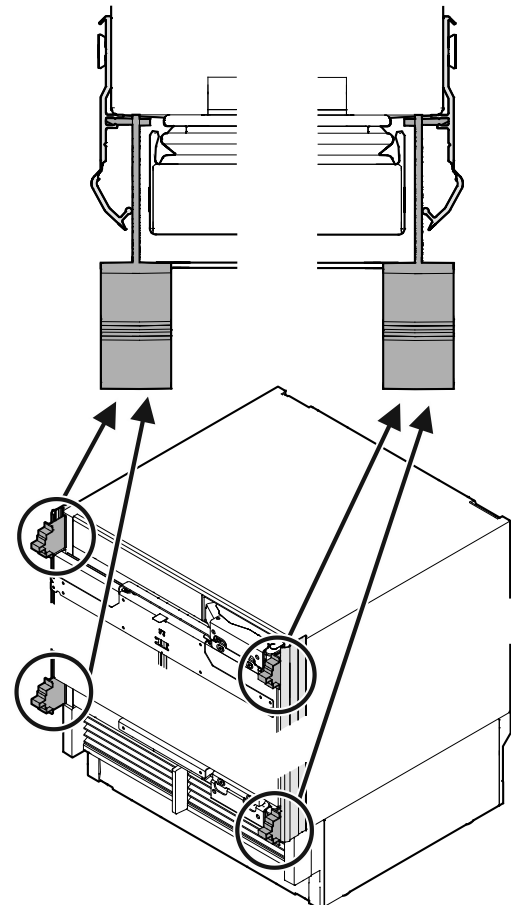


IMPORTANT

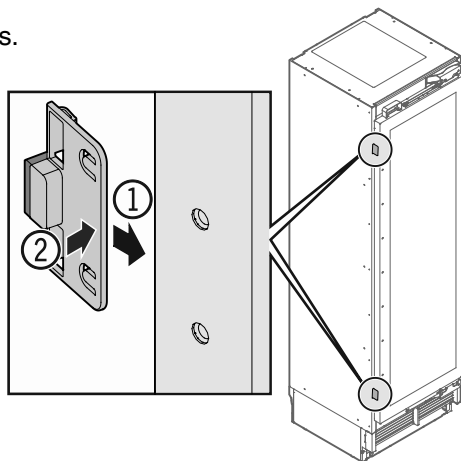
Use the correct flat head screws, otherwise the edges of the cabinet will be damaged when sliding the appliance into the recess.



Mounting the depth adjustment aid into the cover strips



Fit the door stops.



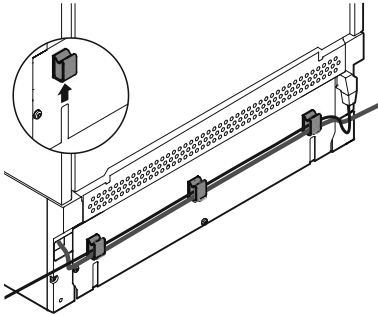
CAUTION!

Power cord/Water line trapped between anti-tipping device and rear of the appliance. Power cord/Water line crushed. Install cable holders. Insert power cord/water line in cable holders.

Slide the appliance into the recess. To avoid damage, pull the power cord and water line backwards at the same time with slight tension.

IMPORTANT

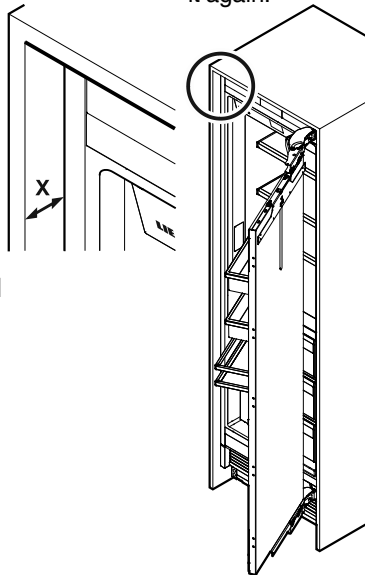
These steps are only necessary if the electrical outlet or water line are on the opposite side.



Install the cable holders on the rear of the appliance. Insert power cord/water line in cable holders.

Align the appliance in depth.

X = Recess front to appliance housing front (not cover strip)



Inset 7/8" (22 mm) panel

X = 2 5/8" (66 mm)

Inset 3/4" (19 mm) panel

X = 2 1/2" (63 mm)

Inset 5/8" (16 mm) panel

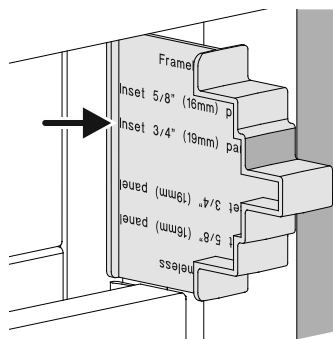
X = 2 3/8" (60 mm)

Frameless

X = 1 3/4" (44 mm)
or

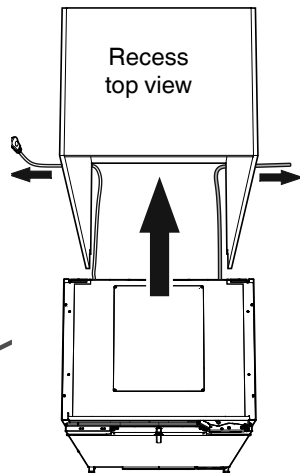
with the depth adjustment aid:

The surface of the depth adjustment aid must be flush with the surface of the recess. (Example shows 3/4" (19 mm))

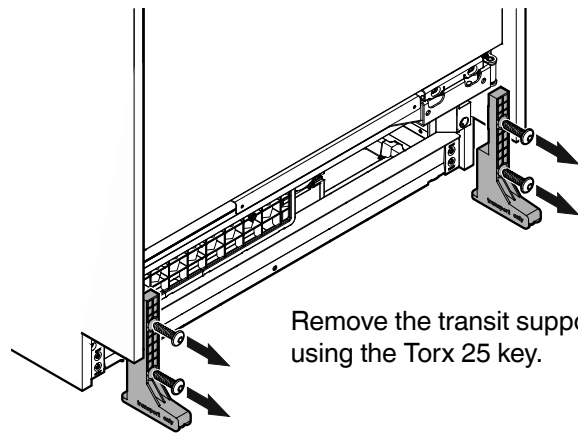


IMPORTANT

The depth of the door cannot be adjusted later!



IMPORTANT
After sliding the appliance into the recess, plug in the appliance and check its function. Then unplug it again.



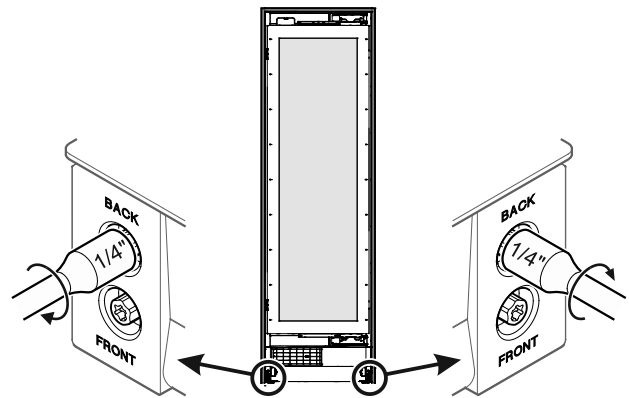
Remove the transit supports using the Torx 25 key.



DANGER!

Risk of death or serious injury due to appliance tipping.

Do not open the appliance door before the height adjustment is finished and the anti-tipping bracket supports the appliance.



Turn clockwise to raise the appliance.

Raise the appliance evenly by turning the screws successively until the appliance back touches the anti-tipping bracket (lift approx. 1/4" / 6.5 mm).

To attain the minimum base panel height of 4" (102 mm), the adjustable feet must be raised by 1/4" (6 mm) to 5/16" (8 mm).

Maximum height adjustment of the appliance = 3/4" (19mm)

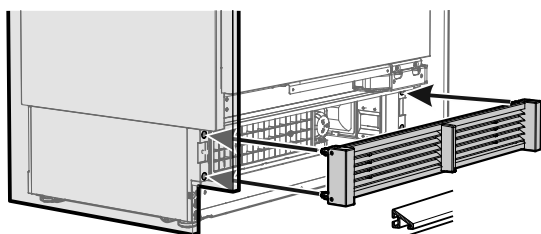
IMPORTANT

When turning the screws with a power driver please consider absolutely.

Maximum rotation speed = 400 rpm
Maximum torque = 8.8 lbs/in (1 Nm)

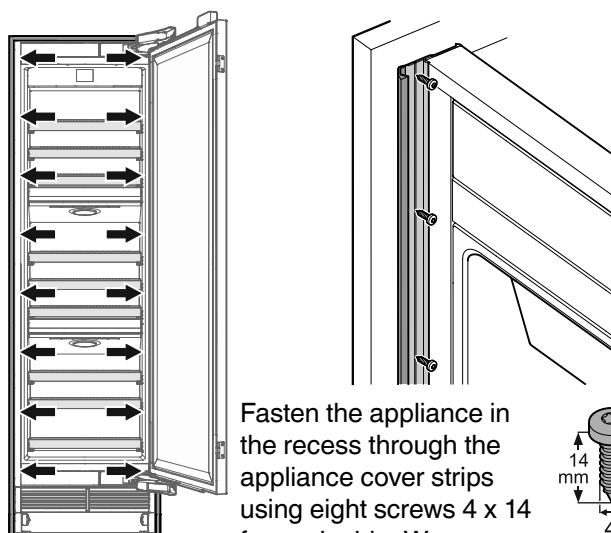
Failure to follow this instruction will result in damage to the height adjustment unit.

INSTALLATION

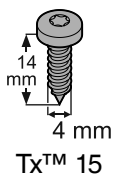


Mount the ventilation grille with the grille segments tilted down.

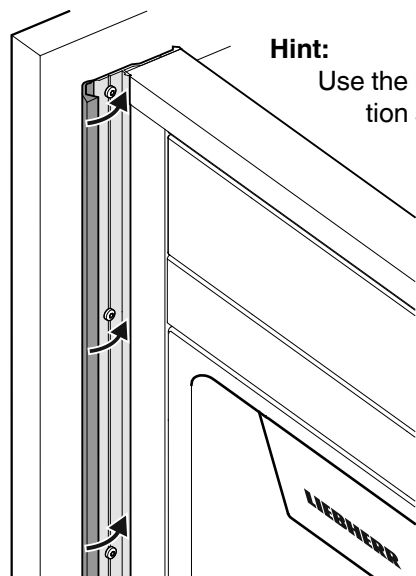
Remove the depth adjustment aid before fastening the appliance in the recess.



Fasten the appliance in the recess through the appliance cover strips using eight screws 4 x 14 for each side. We recommend that you mark and pre-drill the hole positions in the strip.



Close the front part of the appliance cover strips.



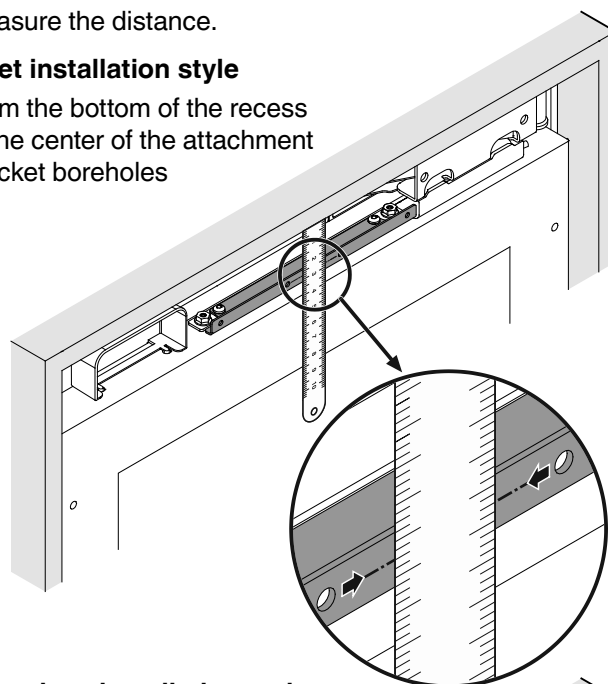
Hint:

Use the removed transportation safety component to help with closing.

Measure the distance.

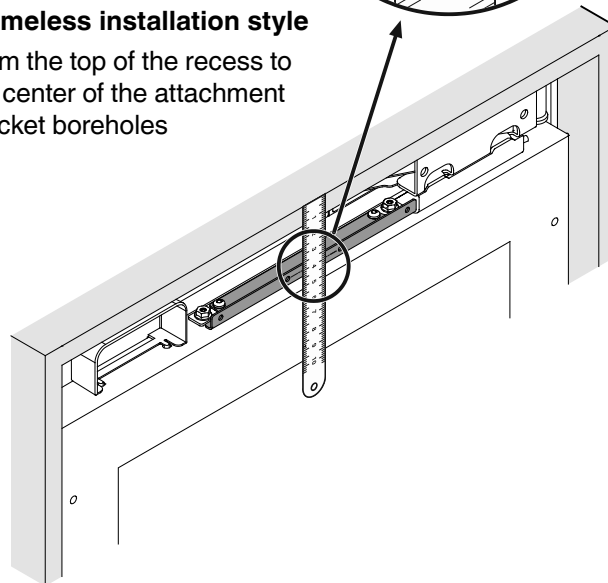
Inset installation style

From the bottom of the recess to the center of the attachment bracket boreholes

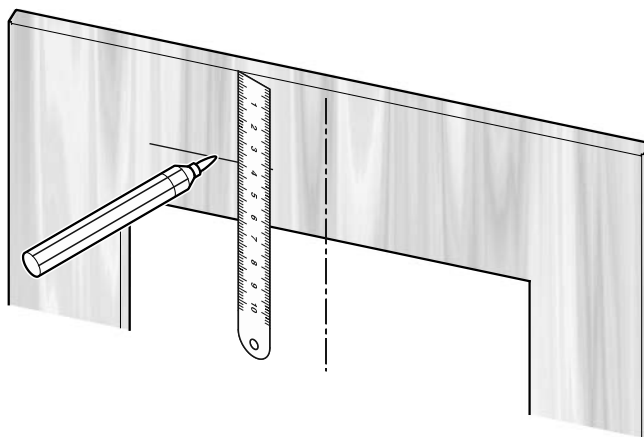


Frameless installation style

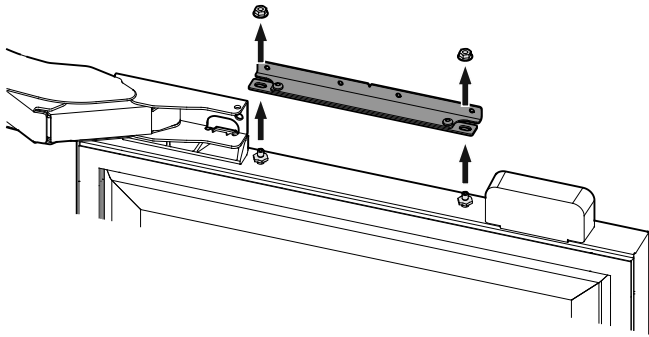
From the top of the recess to the center of the attachment bracket boreholes



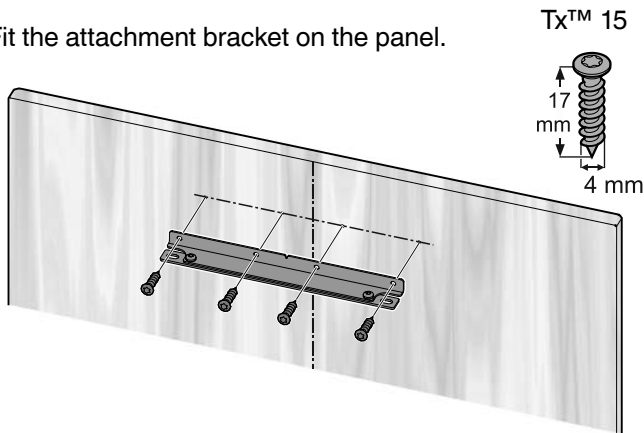
Mark the spacing on the door panel.



Remove the attachment bracket from the door. Nuts are required again later.

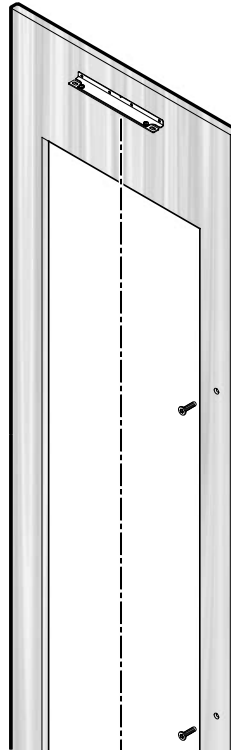


Fit the attachment bracket on the panel.



IMPORTANT

Door handles should be mounted now because the side support strips will cover the mounting holes.

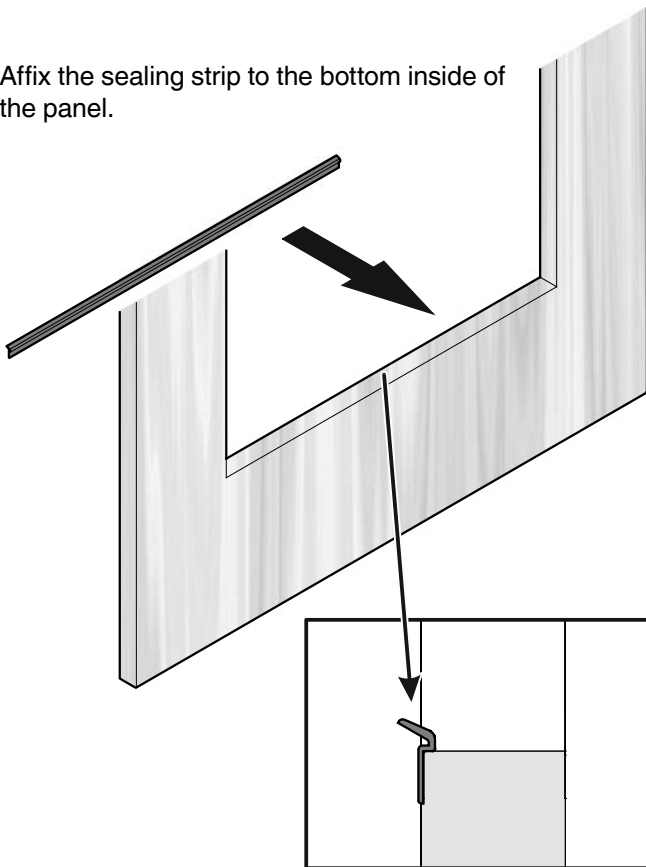


Only use countersunk screws for handle mounting.

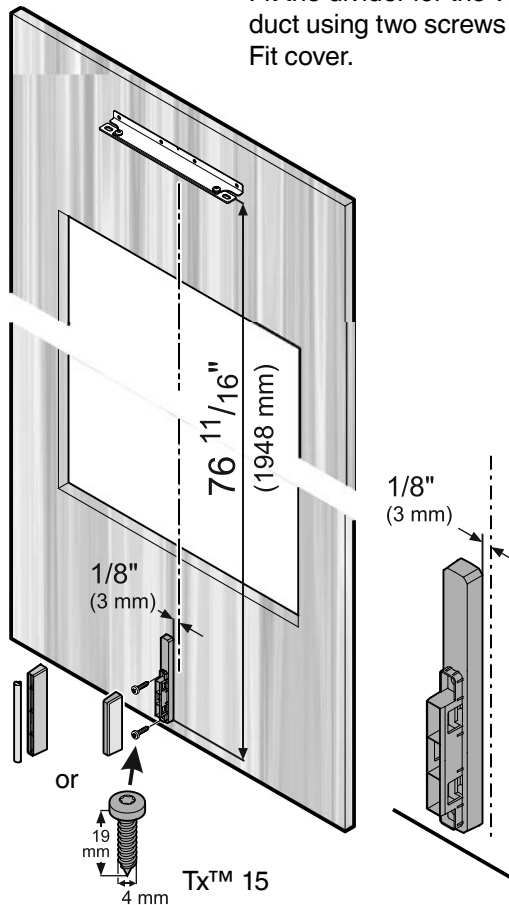
The holes should be countersunk.

The screw heads should be flush with the panel.

Affix the sealing strip to the bottom inside of the panel.



Fit the divider for the ventilation duct using two screws 4 x 19. Fit cover.



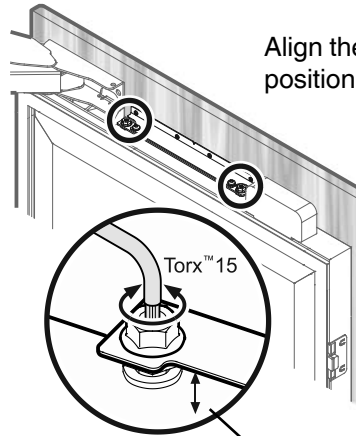
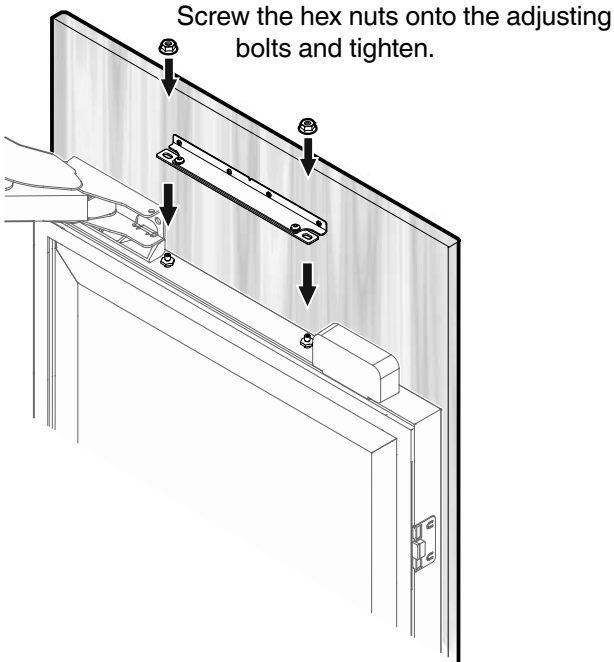
INSTALLATION

IMPORTANT

If the door has to be limited to a 90° opening angle, it must be done before the panel is mounted onto the appliance door. See chapter “**Important Note for Changing over Door Hinges or Limiting the Hinges to a 90° Opening Angle**” on page 21.

Open the appliance door.

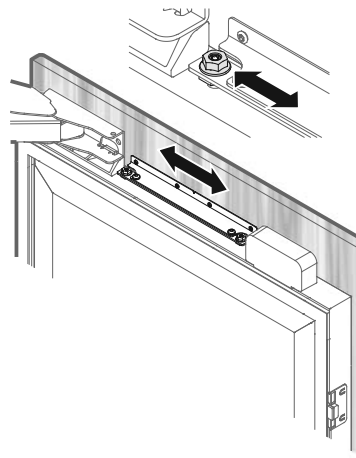
Place the door panel on the top adjusting bolts and align in the centre.



Align the panel in its vertical position if necessary.

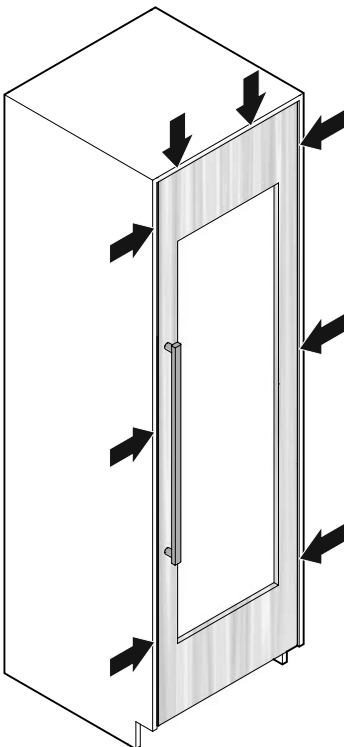
Loosen the hex nuts and turn the adjusting bolts with the Torx 15 key provided.

Maximum adjustment: 15 mm (5/8")



Align the panel horizontally with the long holes in the attachment bracket.

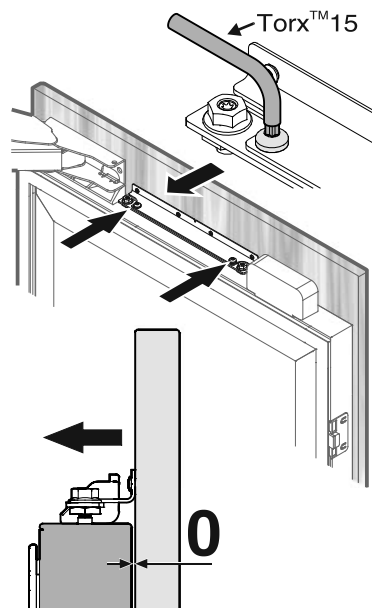
Tighten the hex nuts.



Close the door and check the position of the panel.

IMPORTANT

After a certain time and loading, it may be necessary to readjust the door again.

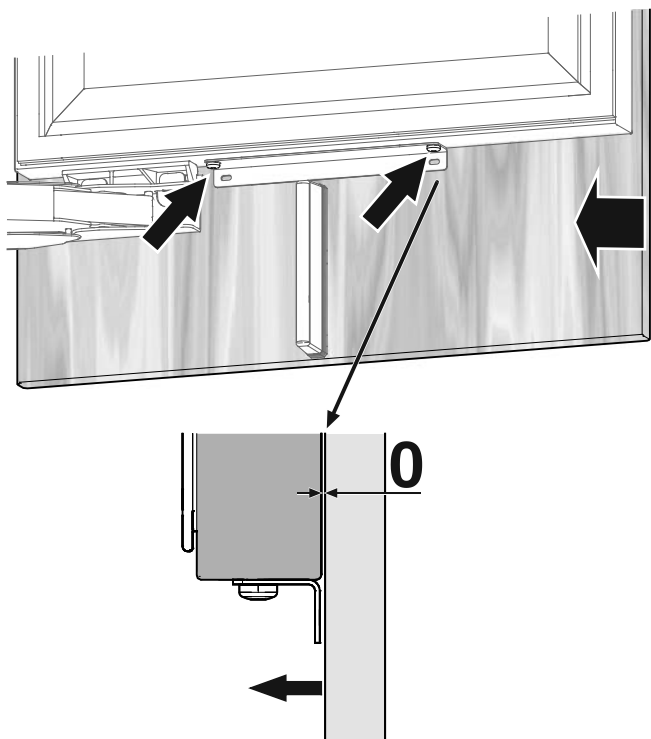


Align the panel in its depth.

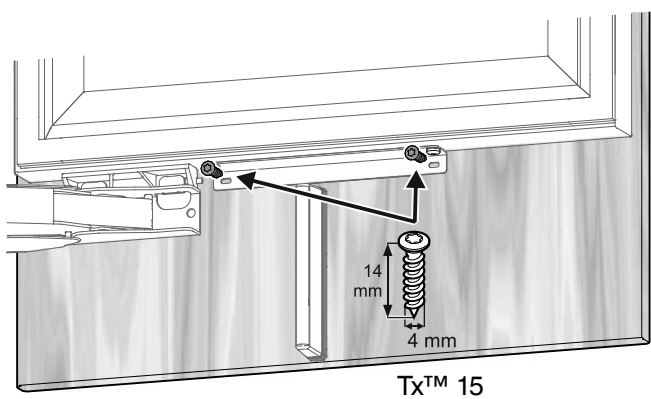
Loosen the screws, align the panel and tighten the screws.

Align the panel in its depth at the bottom.

Loosen the screws, align the panel and tighten the screws. Use the Torx 20 key provided.

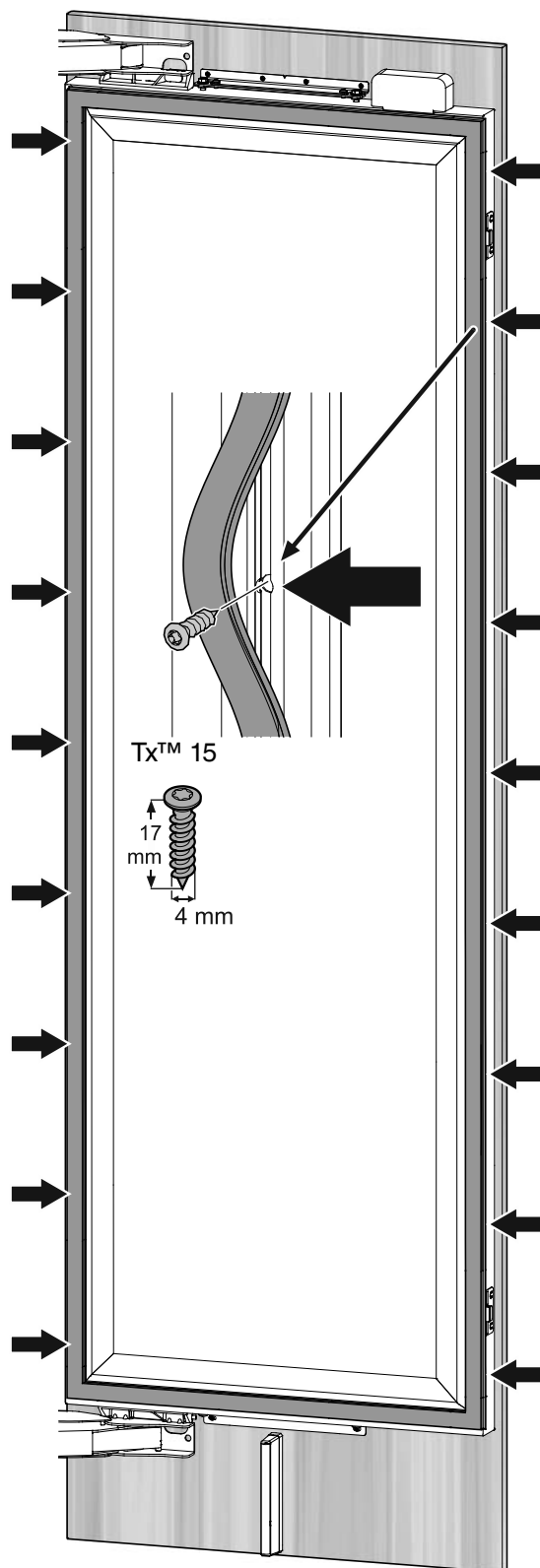


Fasten the panel through the bottom attachment bracket with two screws 4 x 14.

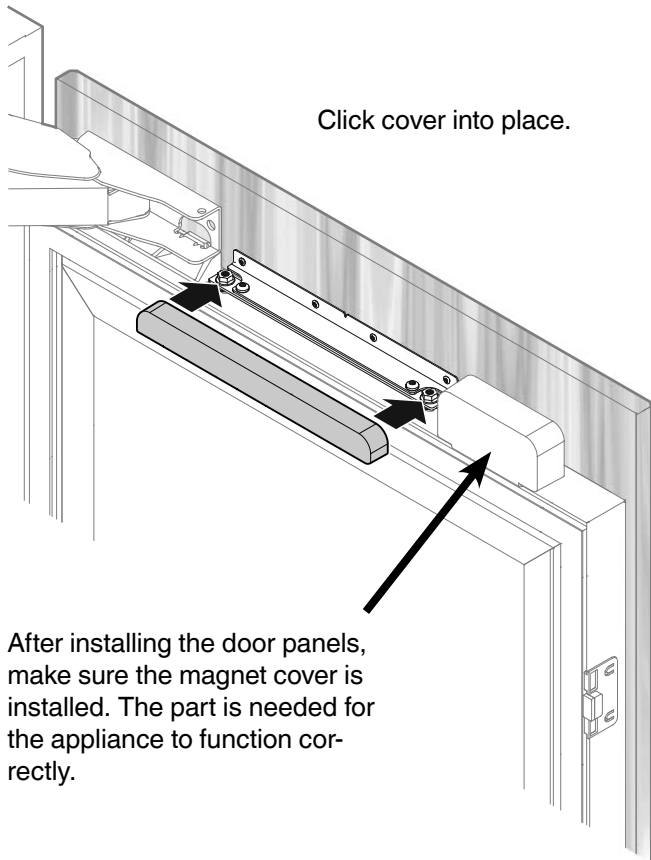


IMPORTANT

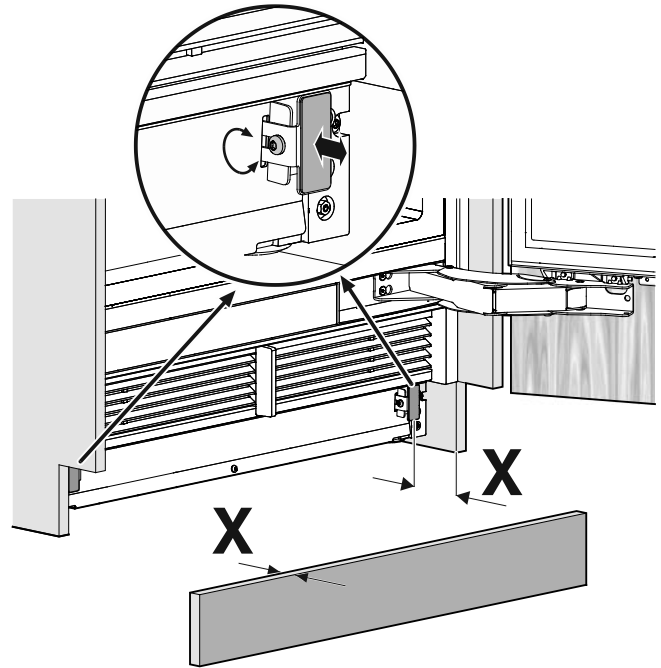
For installation, only pull out the magnetic seal at one of the marked screw positions (there are 9 on each side 200 mm apart). Never remove the magnetic seal in full.



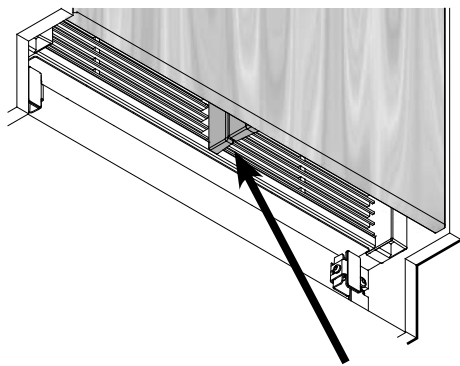
INSTALLATION



Adjust the brackets to the thickness of the toe kick panel.



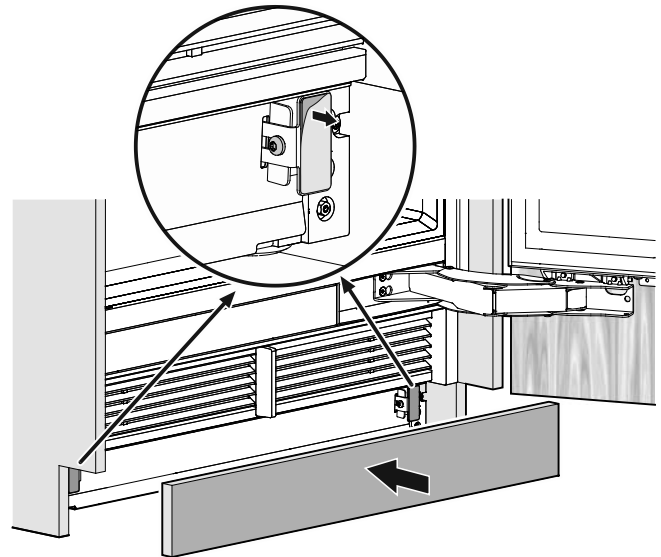
Remove the backing foil and affix the toe kick panel.



Check that there is no gap between the appliance air divider and the door air divider.

IMPORTANT

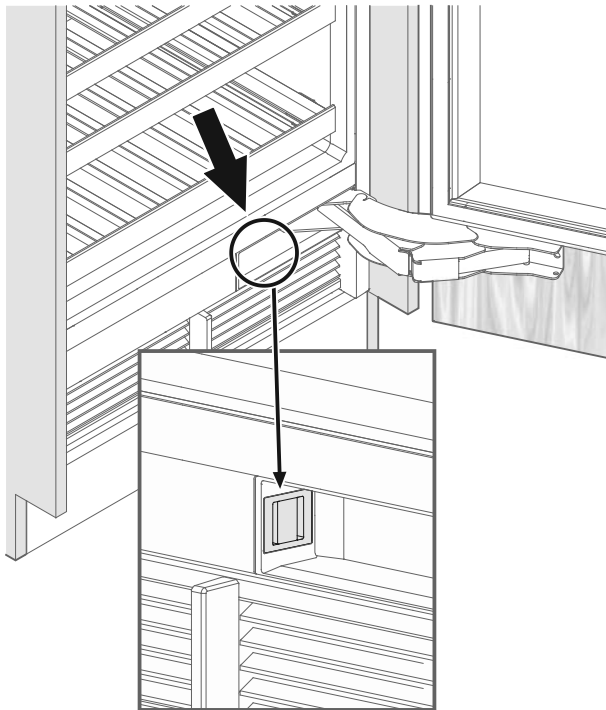
There will be a gap if the ventilation grille is fitted incorrectly.



SmartDeviceBox (Not Supplied in All Countries)

Download the “SmartDevice App” to your smartphone.

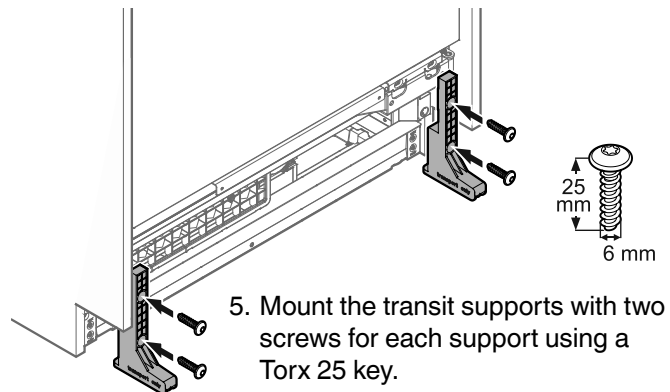
Start the app on your smartphone and follow the instructions.



Please note in case of removing appliance from the recess

If the appliance has to be removed from the recess again, please make sure you take account of the following.

1. Unload the appliance.
2. Disconnect the appliance from the power source.
3. Remove the mounted front panel from the appliance door.
4. Lower the appliance using the height adjustment unit.



5. Mount the transit supports with two screws for each support using a Torx 25 key.

⚠ DANGER!

Risk of death or serious injury due to appliance tipping.

Do not remove the appliance without the mounted transit supports.

Important Note for Changing over Door Hinges or Limiting the Hinges to a 90° Opening Angle

Changing the door hinges or limiting the hinges to a 90° opening angle should only be carried out by a trained expert.

The door hinges are fitted with strong closing springs. If the hinge accidentally snaps shut, this can lead to serious injury.

The door itself is very heavy. Do not try to dismount the door yourself.

Contact the Liebherr service for more information. See contact details on the back of this manual.

For Service in the U.S.

Liebherr Service Center

Toll Free: **1-866-LIEBHER** or **1-866-543-2437**

Email: Service-appliances.us@liebherr.com

PlusOne Solutions, Inc.

3501 Quadrangle Blvd, Suite 120

Orlando, FL 32817

For Service in Canada

Liebherr Service Center

Toll Free: **1-888-LIEBHER** or **1-888-543-2437**

www.euro-parts.ca

EURO-PARTS CANADA

39822 Belgrave Road

Belgrave, Ontario, N0G 1E0

Phone: (519) 357-3320

Fax: (519) 357-1326



www.liebherr-appliances.com