

CLX-PWS75

Cresnet Power Supply Module, 75 Watts, for CAEN Automation Enclosures

The CLX-PWS75 is a 75 Watt Cresnet Power Supply Module designed to mount in a **CAEN** Automation Enclosure. A single CLX-PWS75 can be installed in any single-width enclosure, or up to two may be installed side-by-side in a double-width enclosure. Four (4) Cresnet power ports are provided on the CLX-PWS75, which may be used to supply power directly to Cresnet devices, or connect to the external power input ports of a **PAC2** or **PAC2M**.

SPECIFICATIONS

Output Power

Per Port: 75 Watts (3.125 Amps @ 24 Volts DC, Regulated)
Module Total: 75 Watts (3.125 Amps @ 24 Volts DC, Regulated)
Ripple/Noise: <300 mV

Power Requirements

2.3 Amps, 100-250 Volts AC, 50/60 Hz

Connectors on Module

Module Interconnect: (2) 5-pin 0.156 inch headers;
Cresnet/Override interconnect ports;
Connect to [PAC2](#), [PAC2M](#), [CAEN-BLOCK](#)
NET: (4) 4-pin 5mm detachable terminal blocks;
INPUT POWER: (1) Attached power cable, ~0.5 ft long, with inline IEC320 plug;
Connects to [CLT-PWS75](#)

Connections via CLT Terminal Block (sold separately)

LINE: (2) DIN rail terminal blocks, black, line power input;
NEUT: (2) DIN rail terminal blocks, white, neutral;
GND: (1) DIN rail terminal block, green, ground;

LED Indicator



Temperature: 32° to 104°F (0° to 40°C)

Humidity: 10% to 90% RH (non-condensing)

Enclosure

Gray metal surface mount module with (2) integral mounting flanges;
Occupies 1 module space in any [CAEN](#)

Dimensions

Height: 7.55 in (19.18 cm)

Width: 6.92 in (17.58 cm)

Depth: 3.44 in (8.74 cm)

ACCESSORIES

CAEN-2X1:

CLT-PWS75:

CAEN-4X1:

CAEN-4X2:

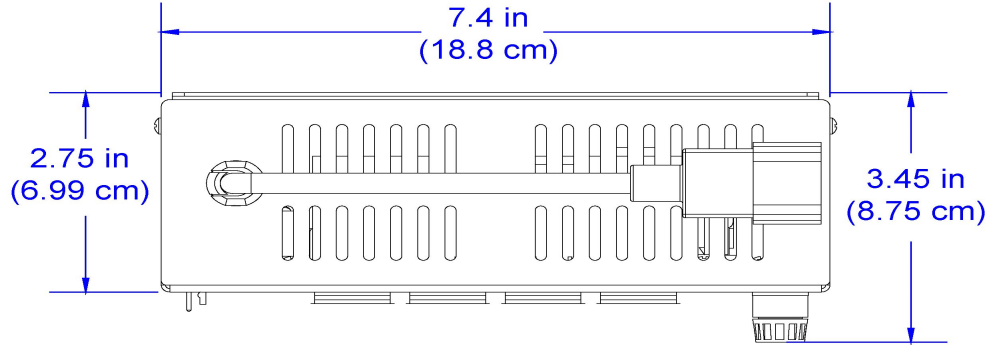
CAEN-7X1:

CAEN-7X2:

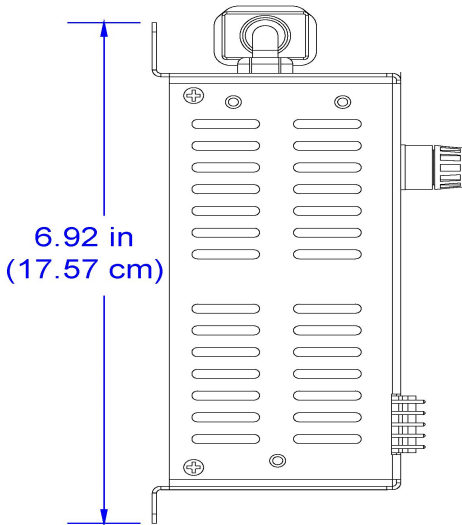
CLX-PWS75

Cresnet Power Supply Module, 75 Watts, for CAEN

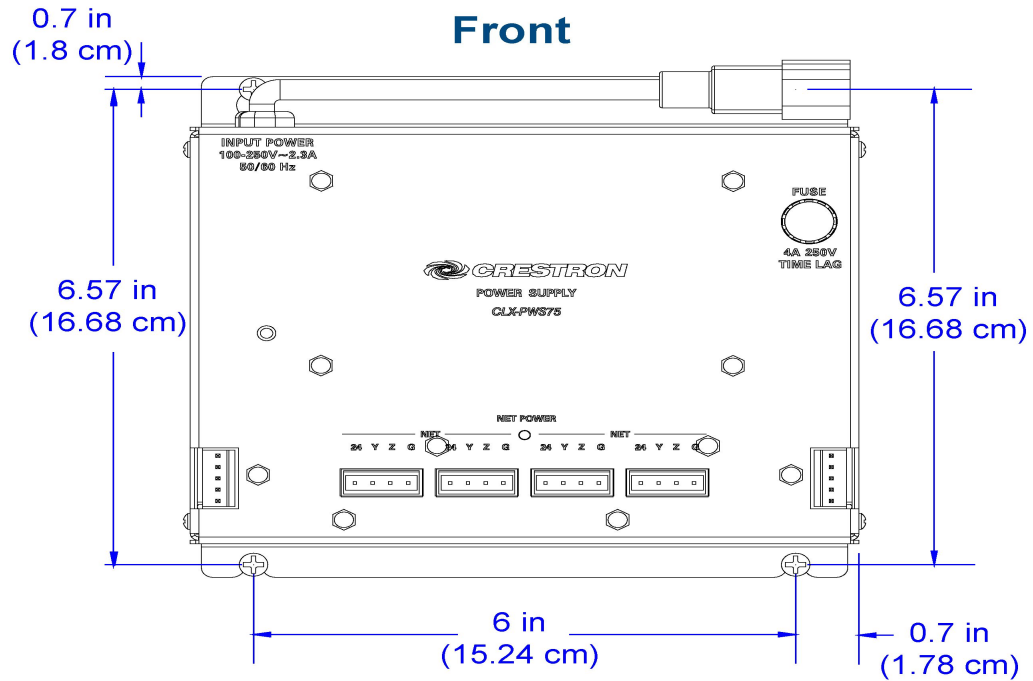
Top



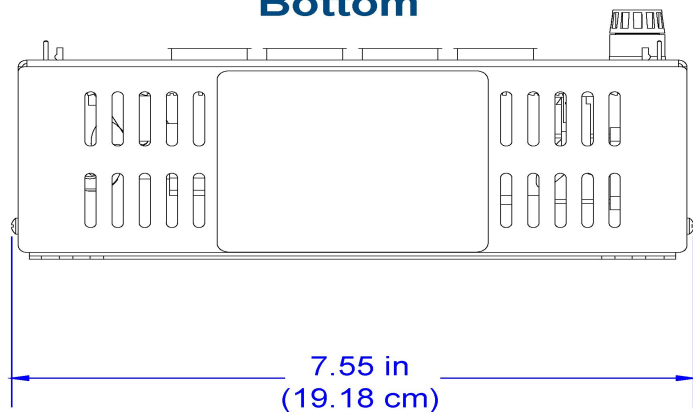
Side



Front



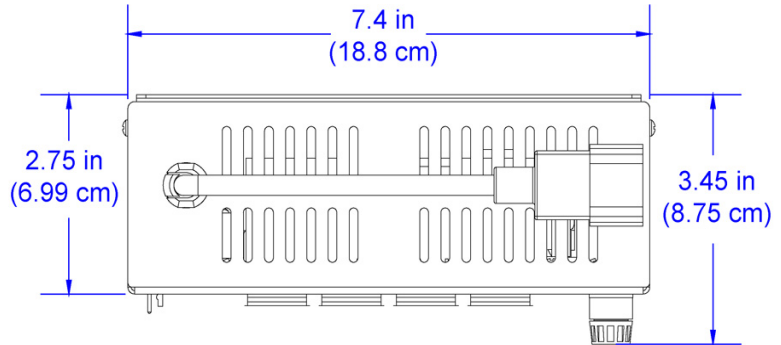
Bottom



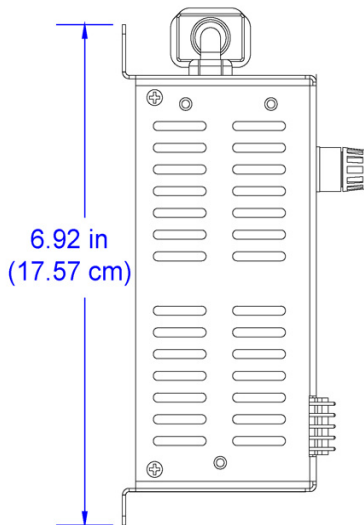
CLX-PWS75

Cresnet Power Supply Module, 75 Watts, for CAEN

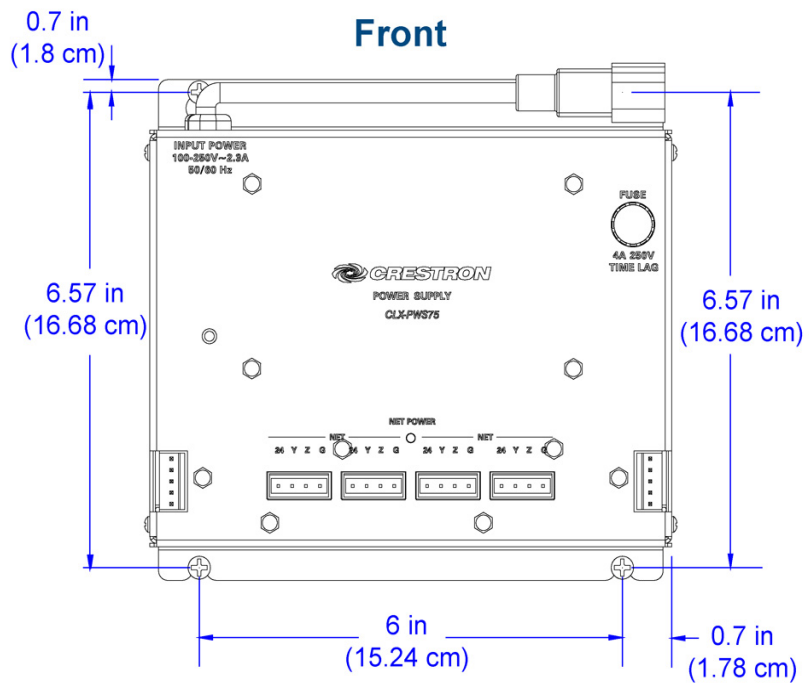
Top



Side



Front



Bottom

